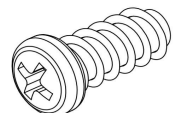
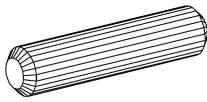
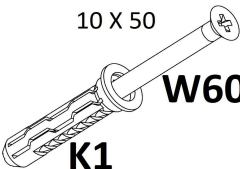
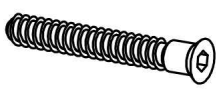

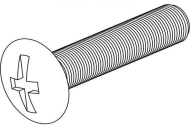

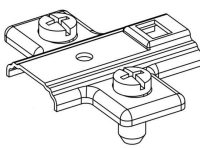
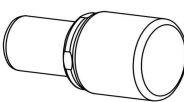
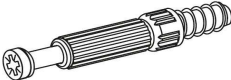

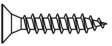
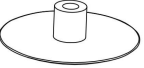
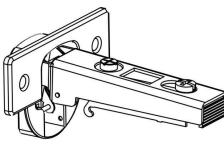
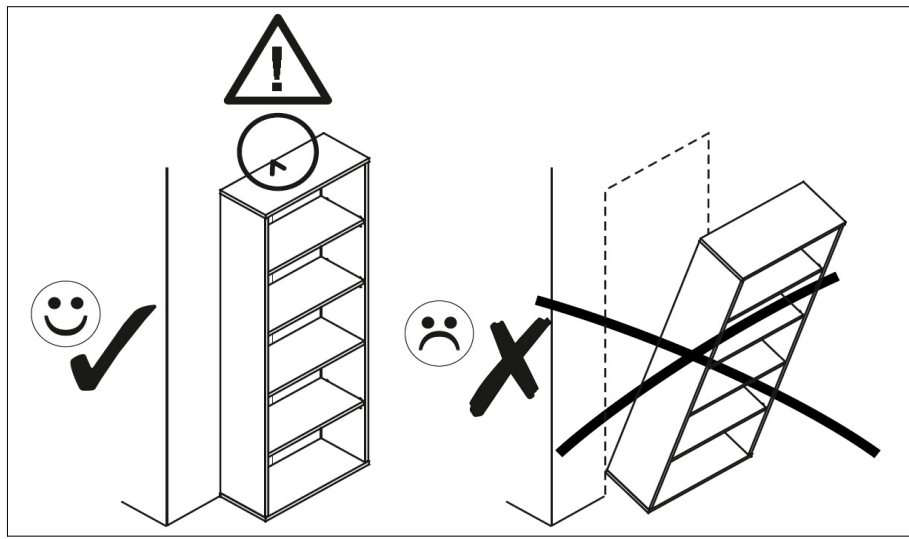
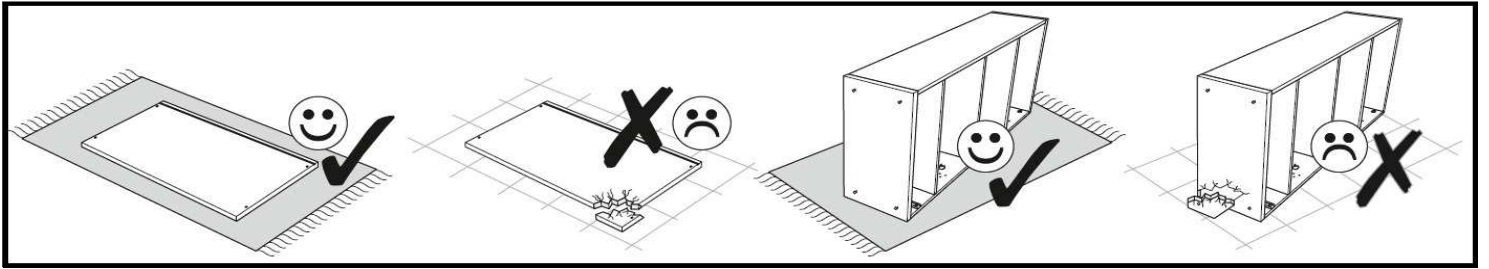
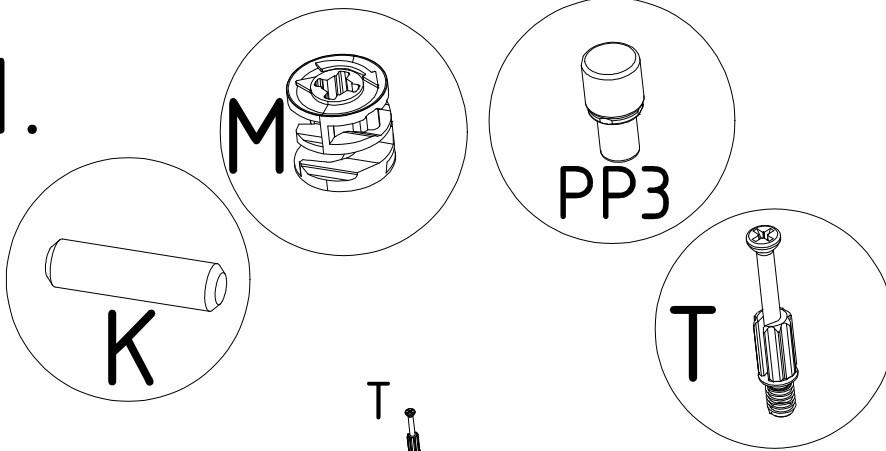
 A1	6,3 X 13  E13	8 x 30  K	10 X 50  K1	 KN
15 x 12  M	4 x 25  M25	h = 200mm  NS	 PE	 PP3
6 x 34 mm  T	 UG2	4 x 16  W16	 Z	 ZPH

BL [1]	440	519	1	A1	1
BP [2]	440	519	1	E13	16
FT1 [3]	447	512	1	K	18
FT2 [4]	447	512	1	K1	2
LD [5]	867	70	1	KN	4
LG [6]	867	100	1	M	16
P1 [7]	503	422	1	M25	2
P2 [8]	503	422	1	NS=200mm	4
PK [9]	341	412	2	PE	4
WD [10]	867	440	1	PP3	8
WG [11]	900	459	1	T	16
				UG2	2
				W16	8
				W60	2
				Z	16
				ZPH	4

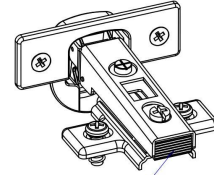




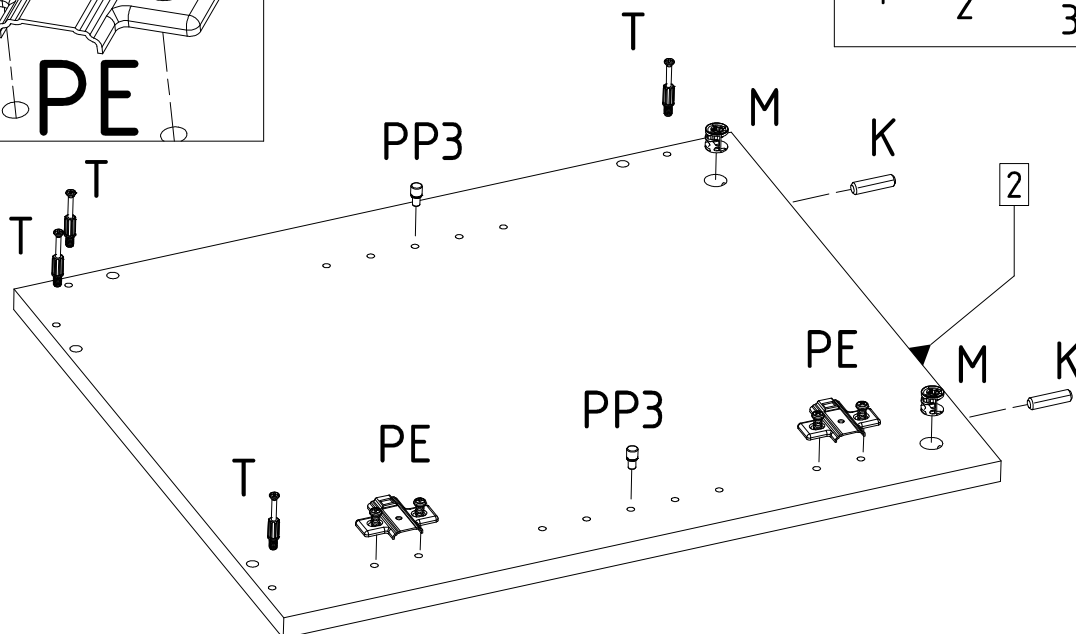
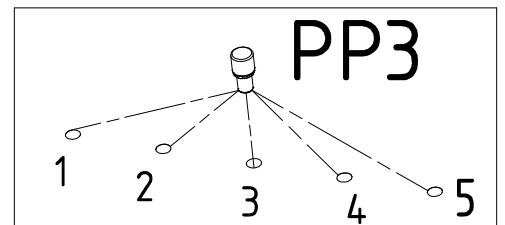
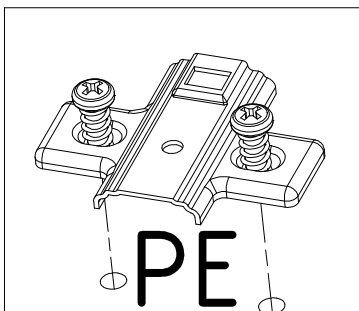
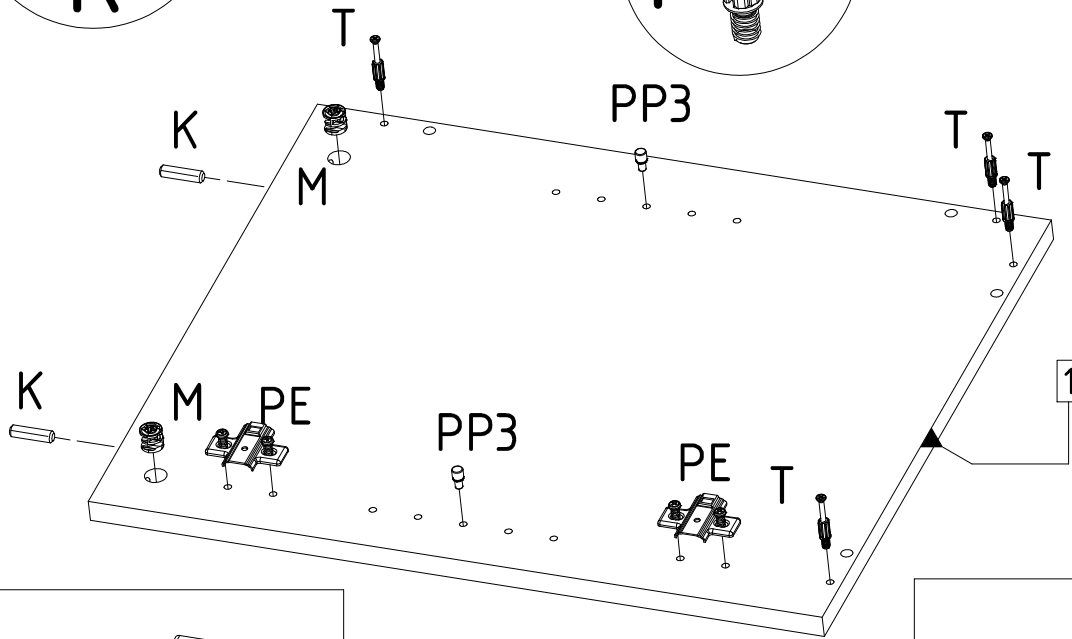
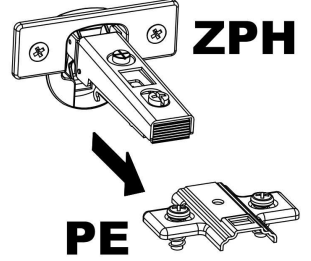
1.



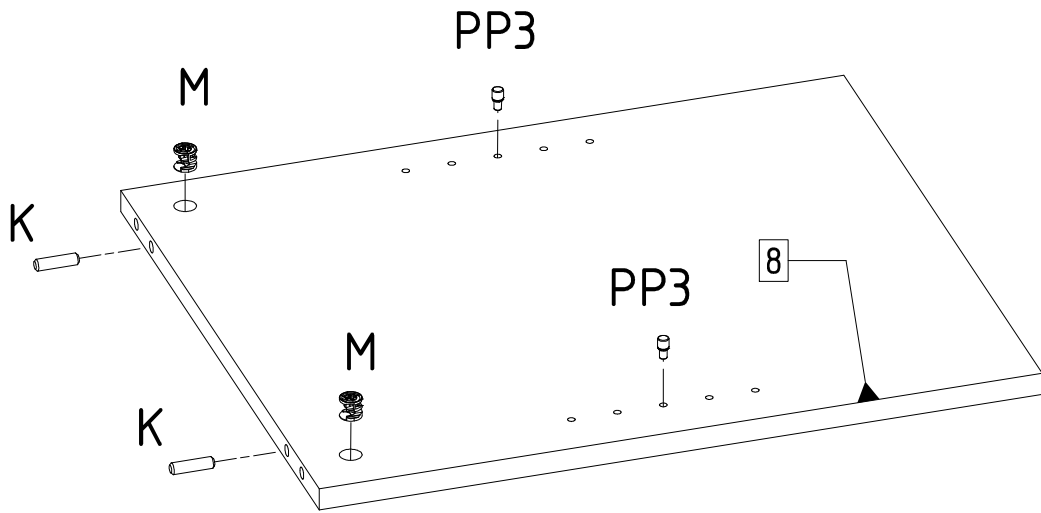
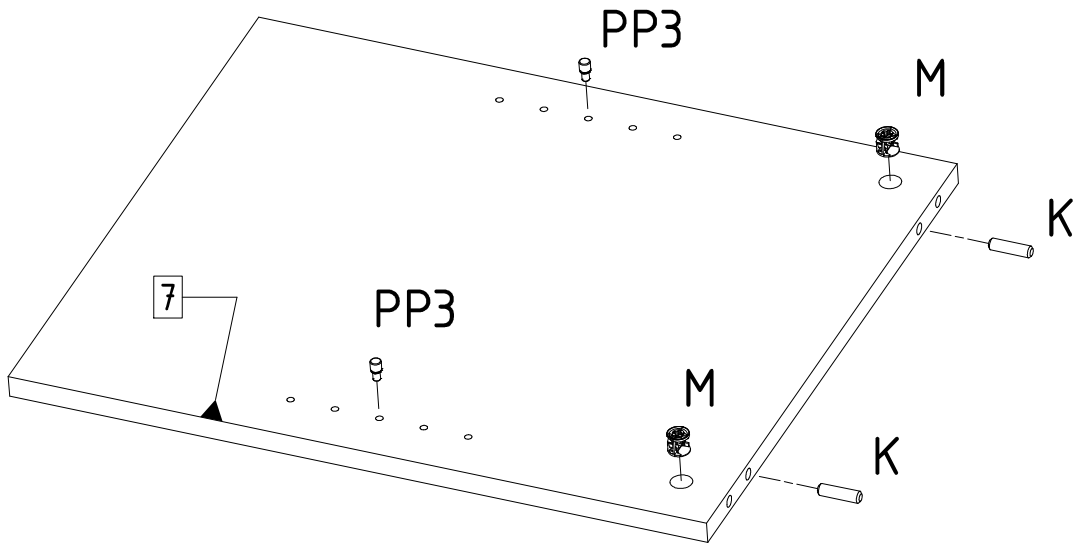
1.



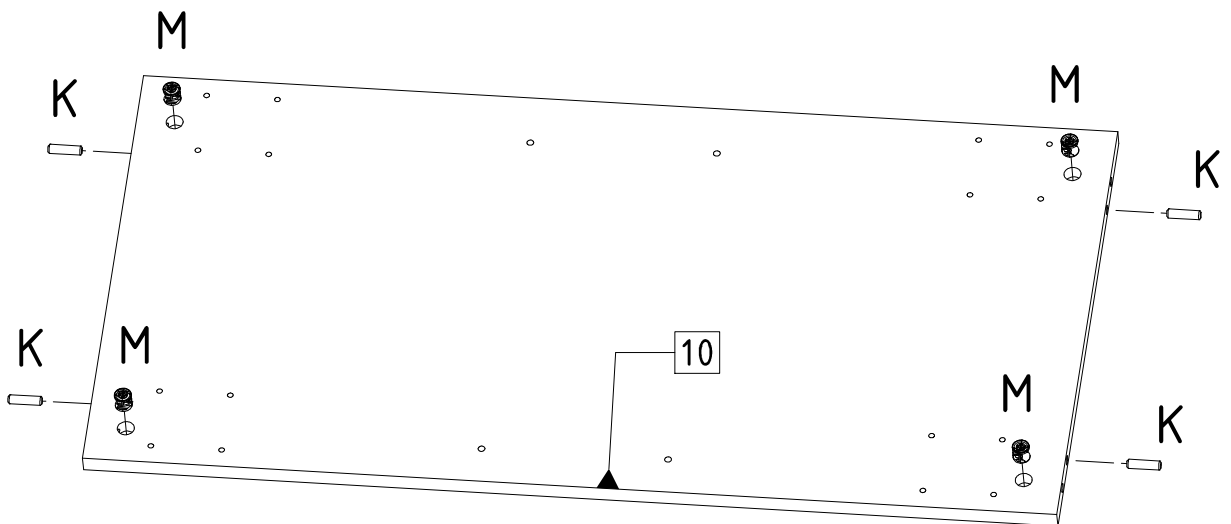
2.

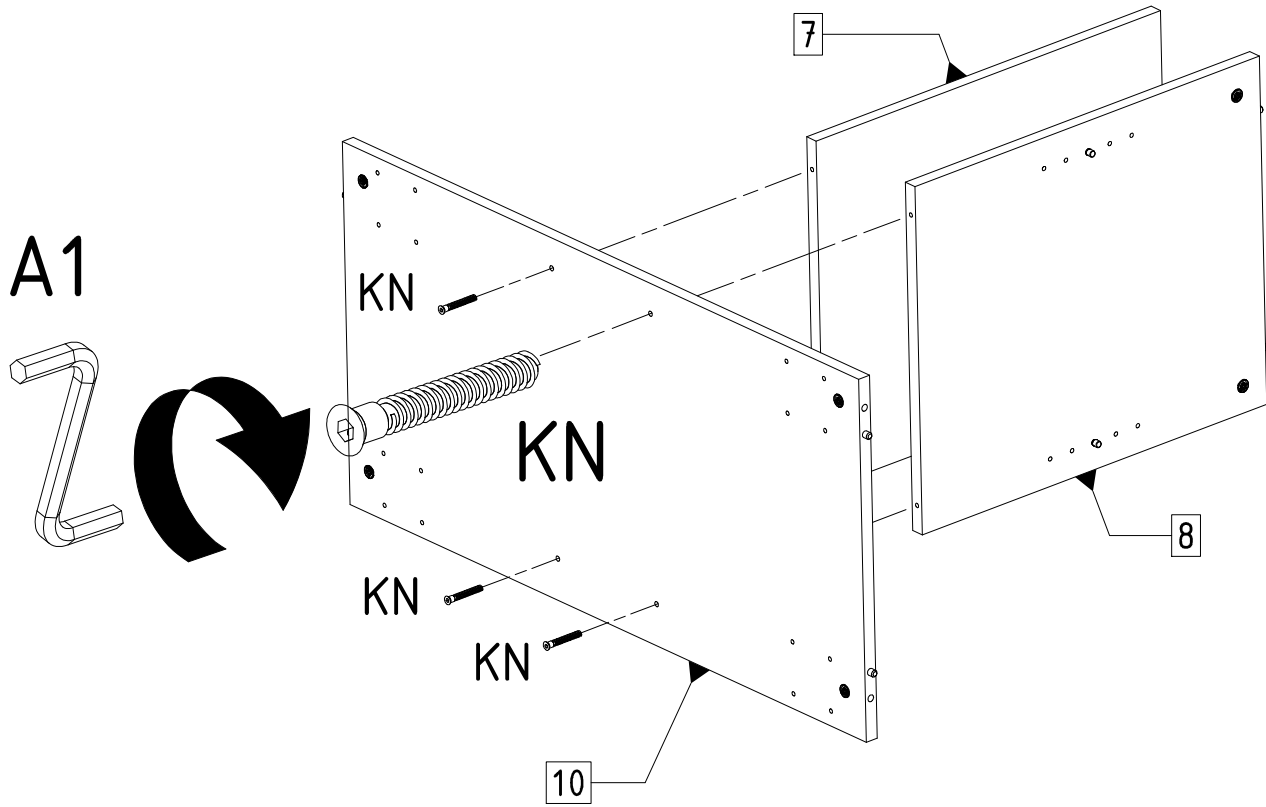


2.

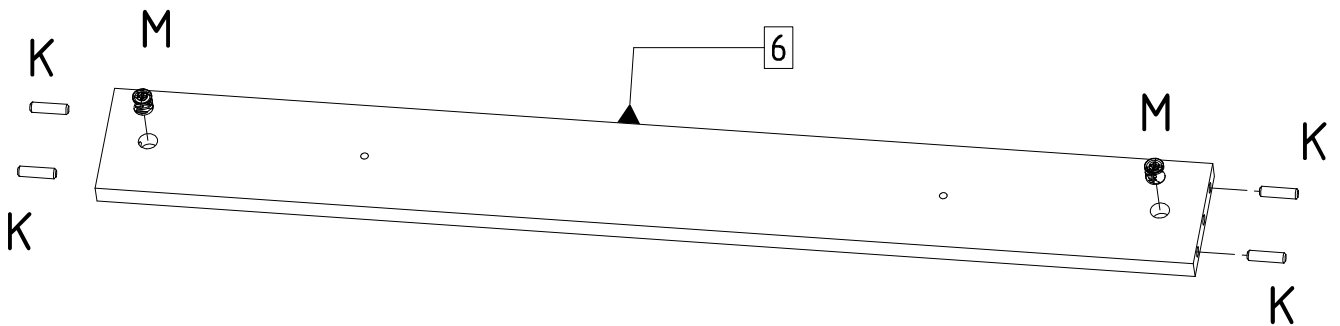
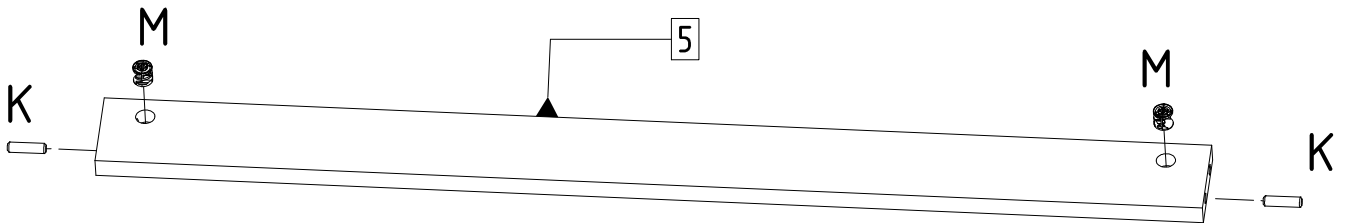


3.

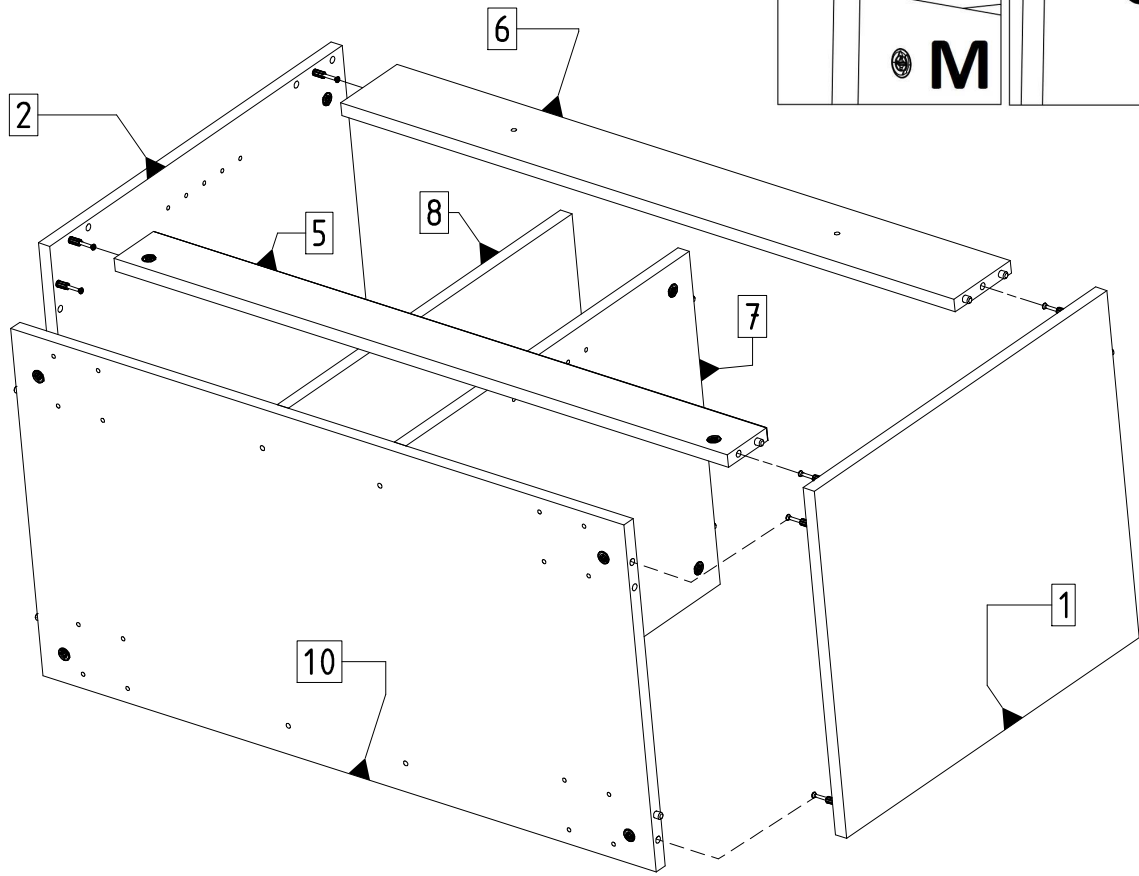




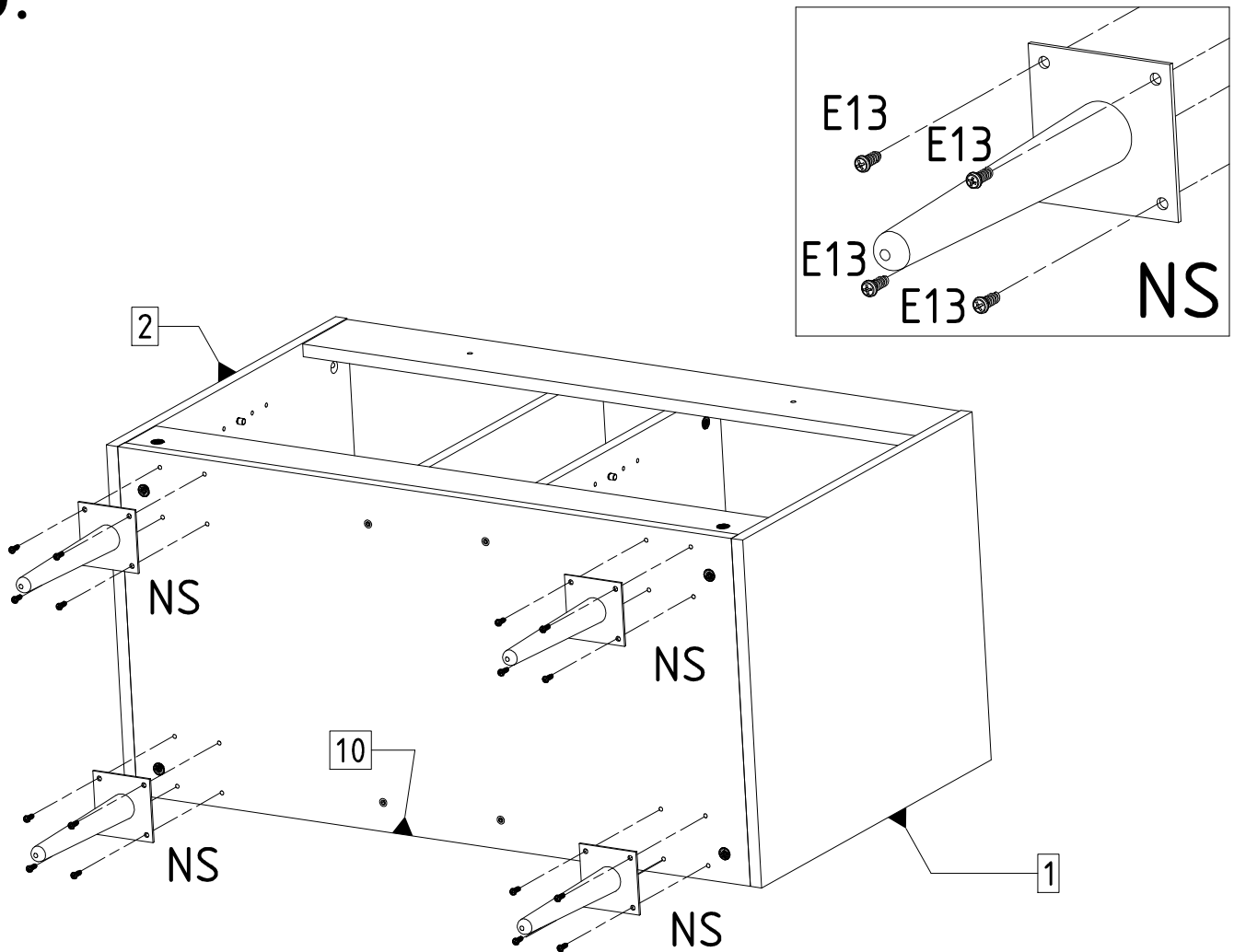
4.



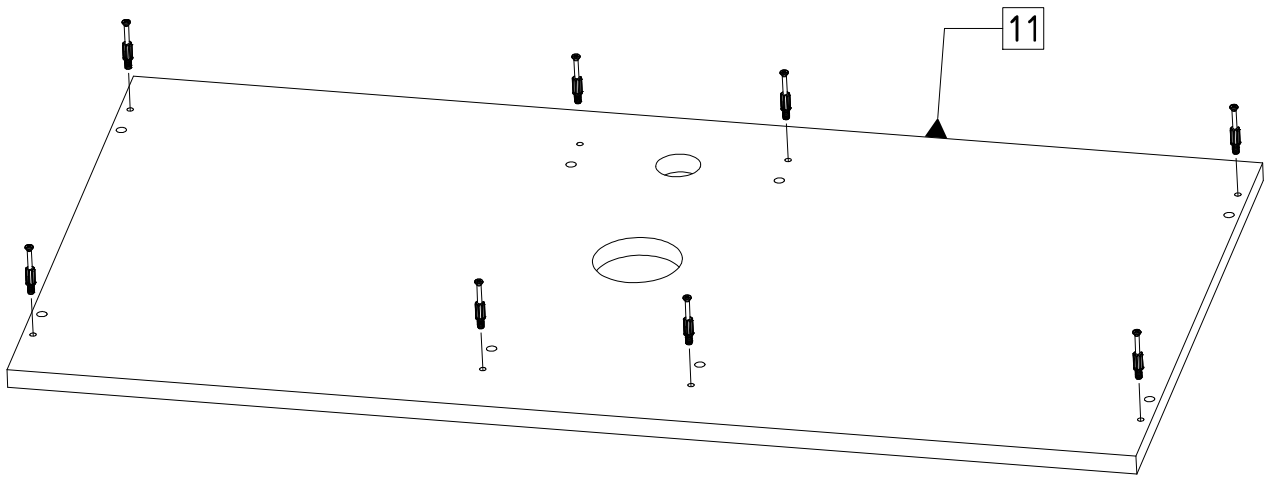
5.



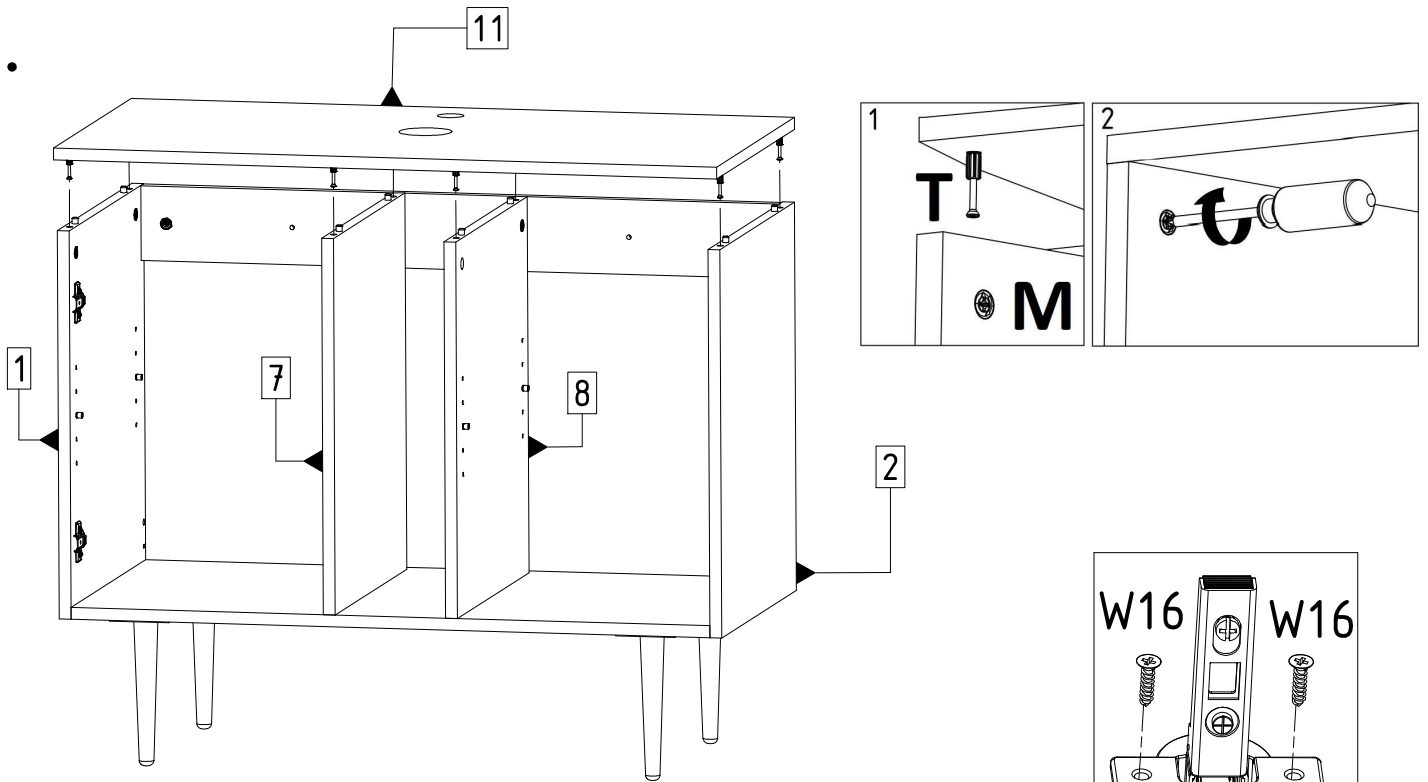
6.



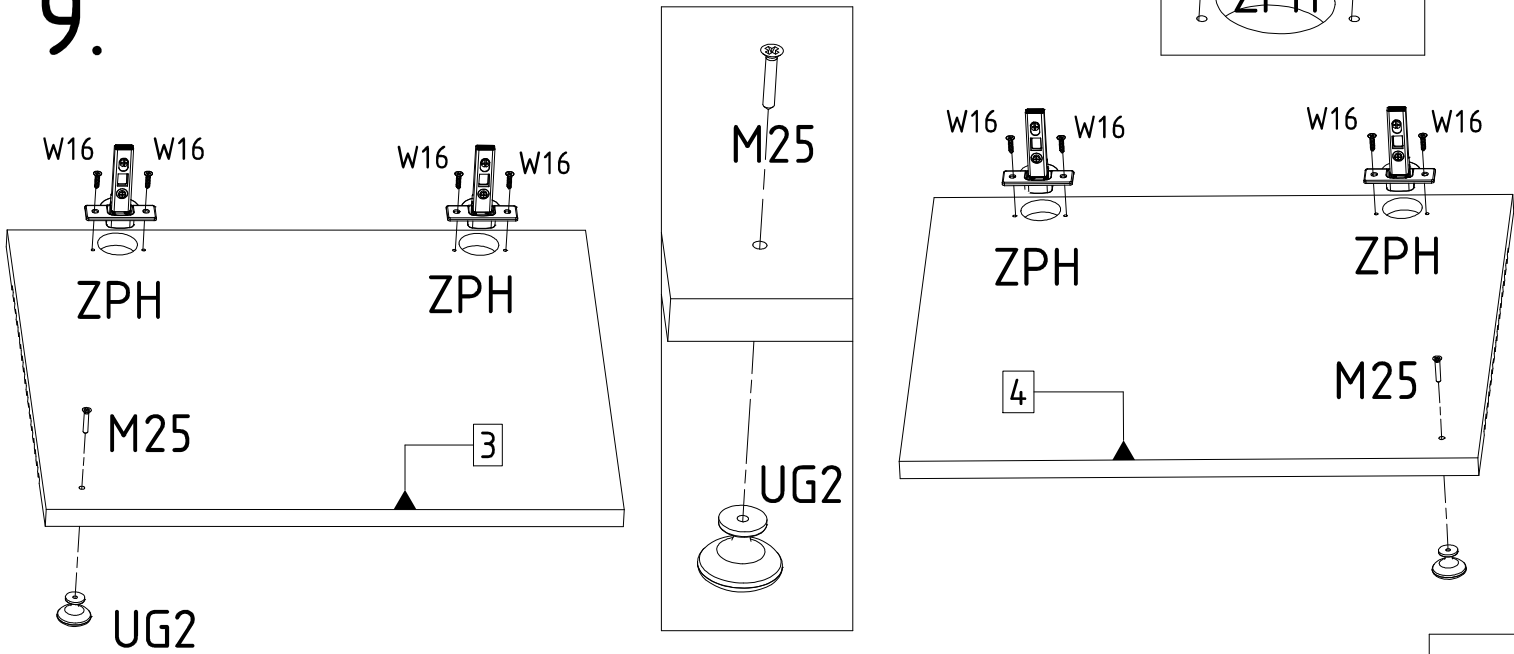
7.



8.

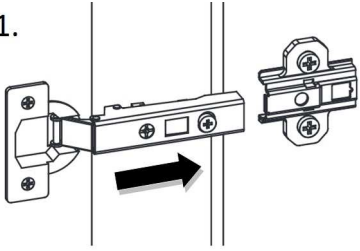


9.

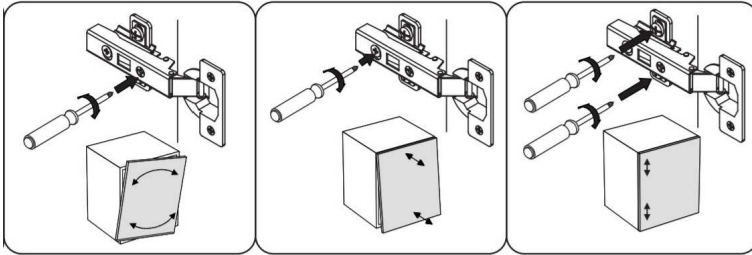
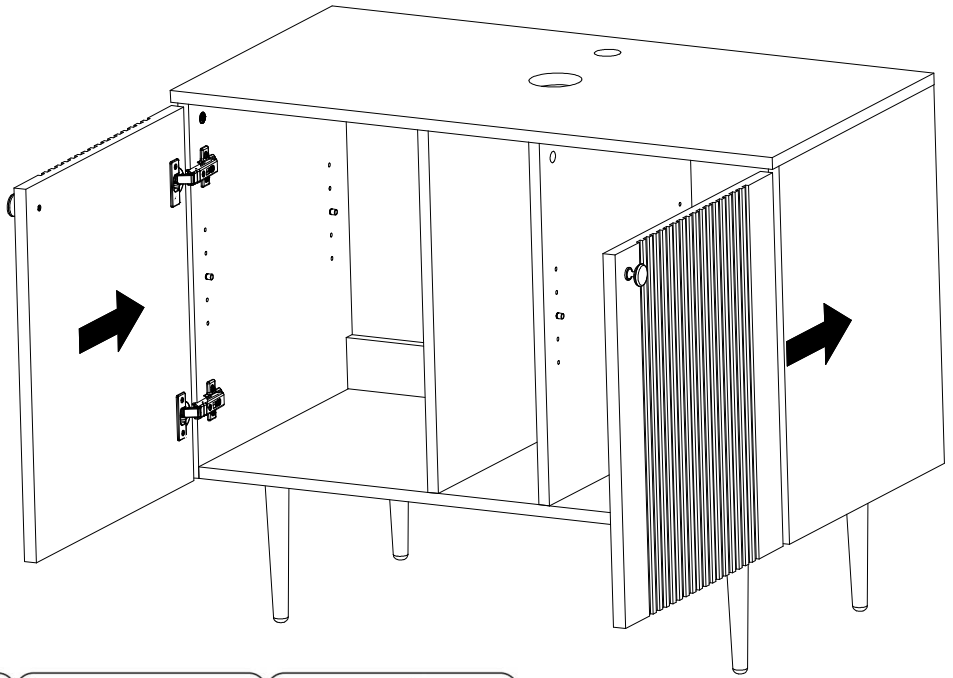
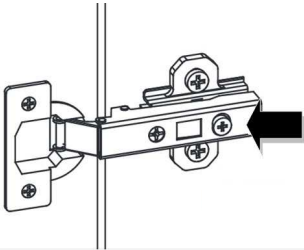


10.

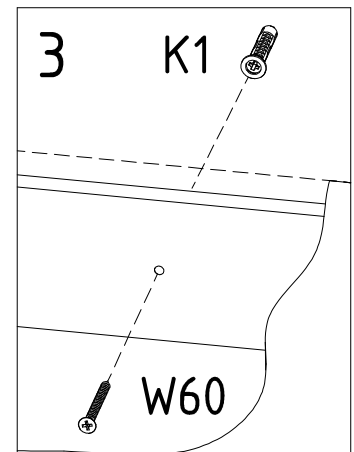
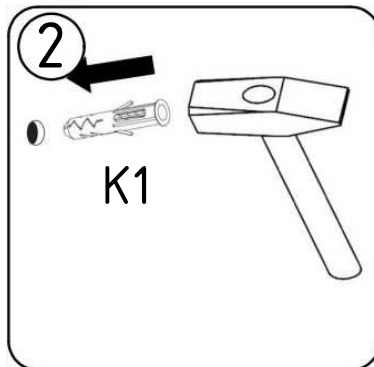
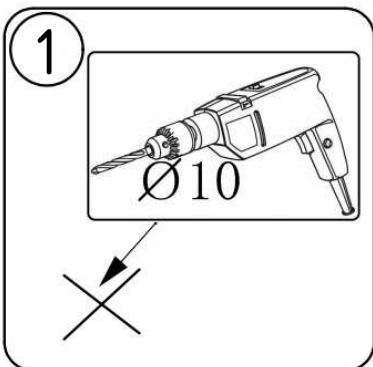
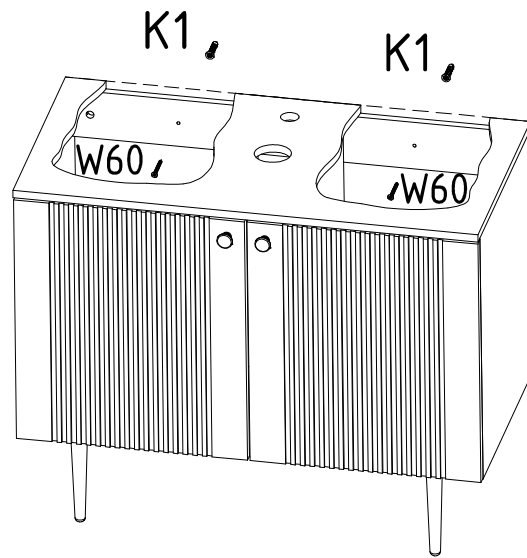
1.



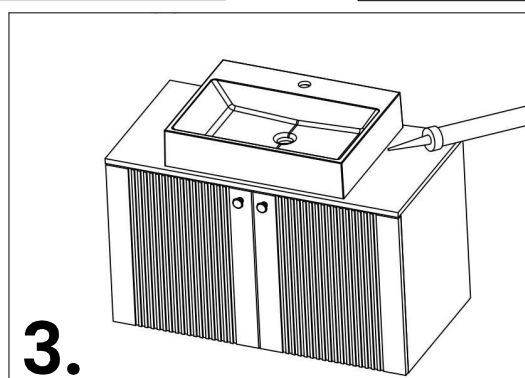
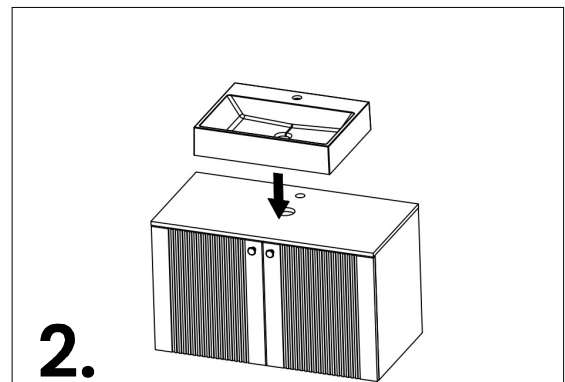
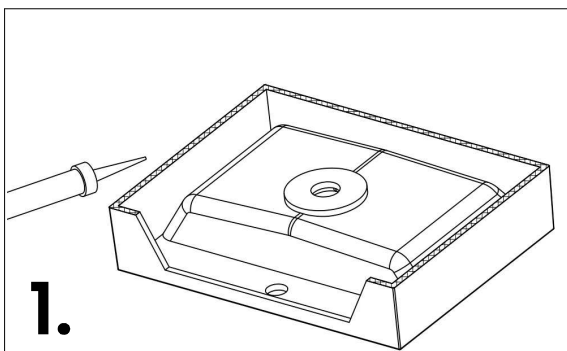
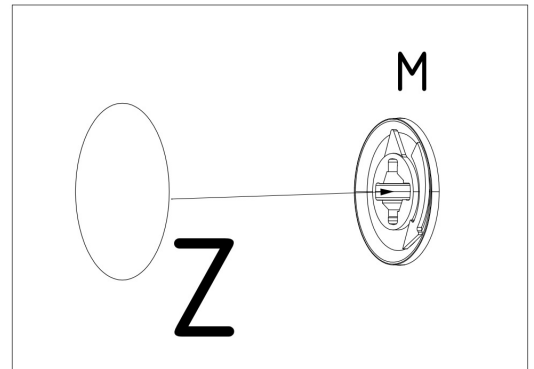
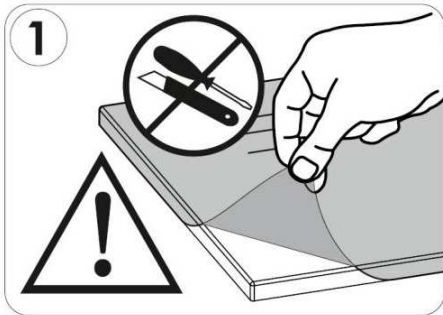
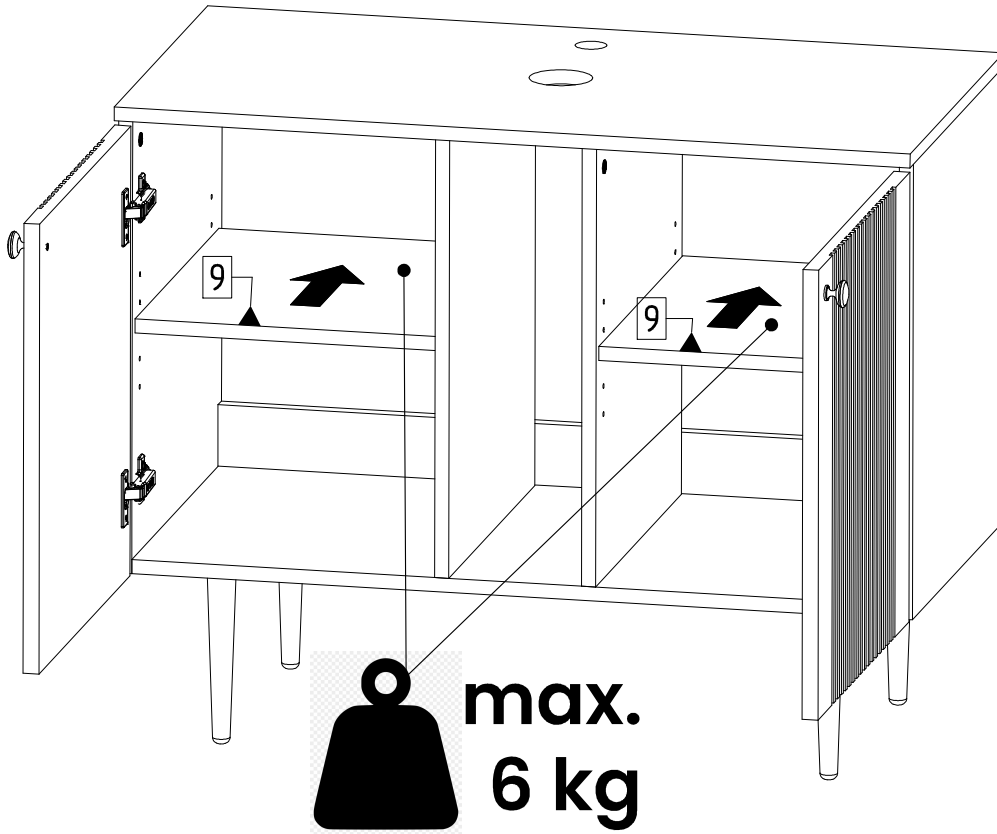
2.

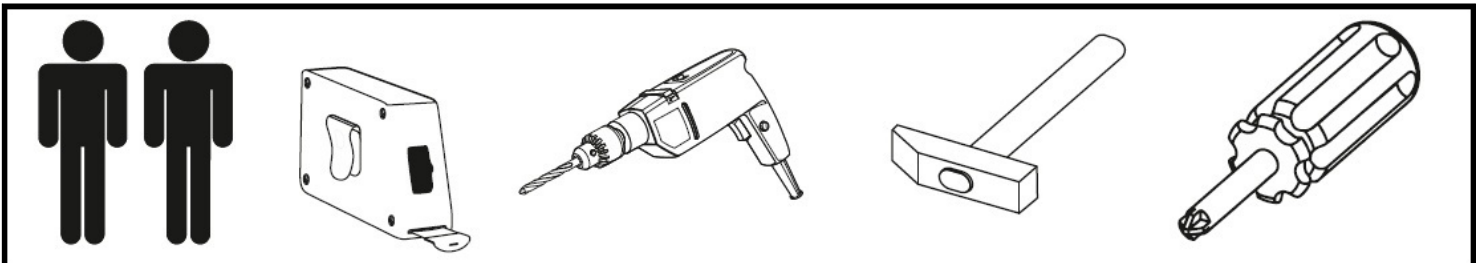
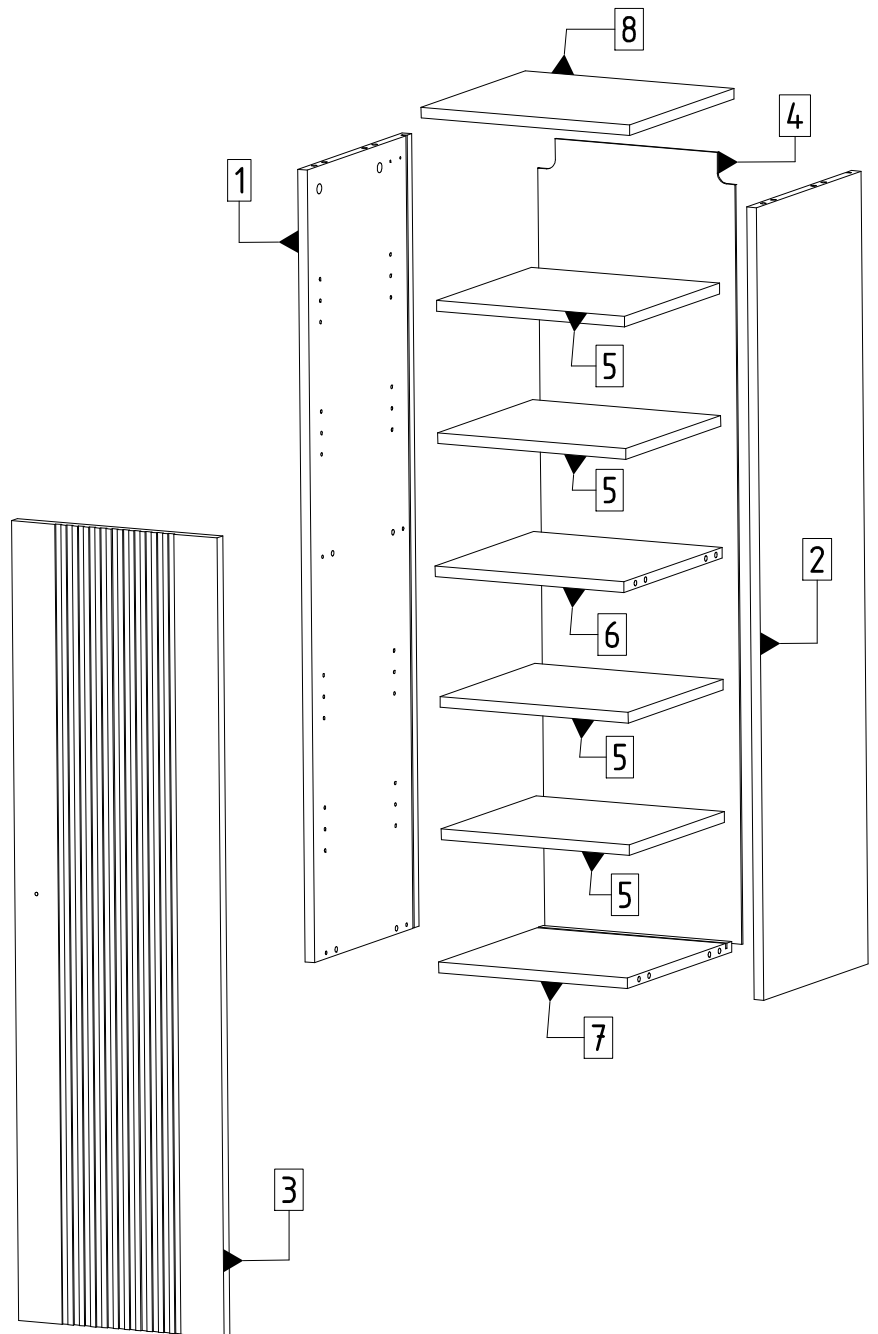
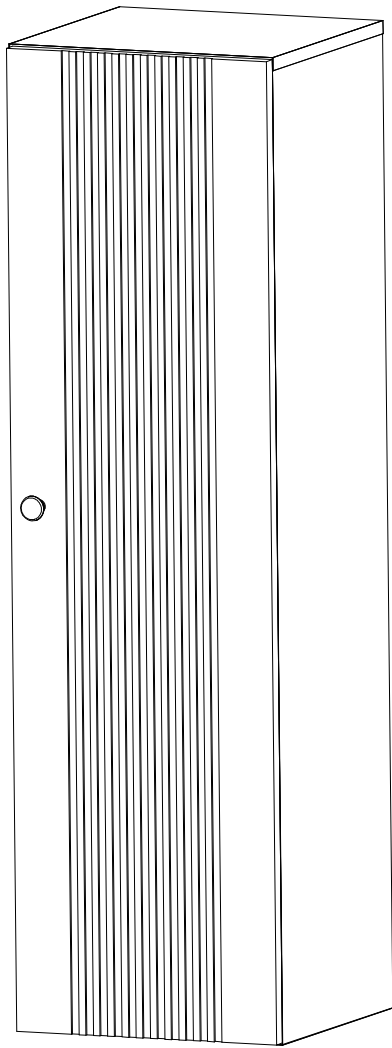


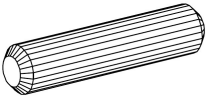

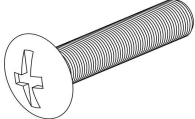
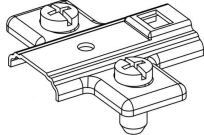
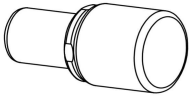
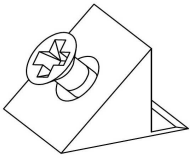
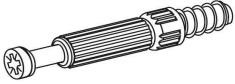

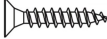
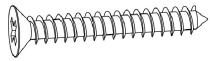
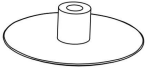
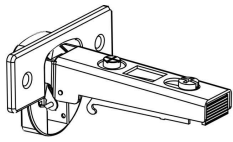
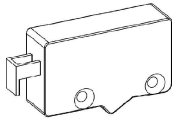
11.



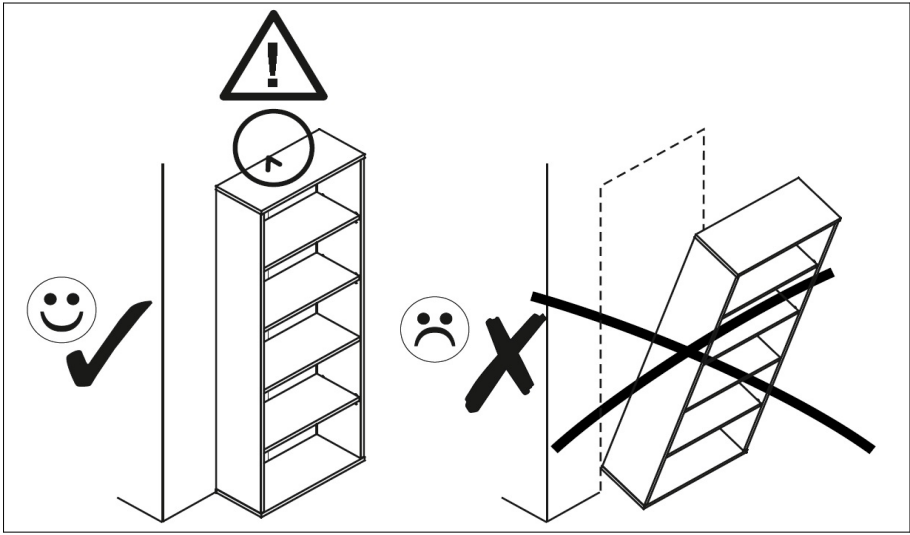
12.

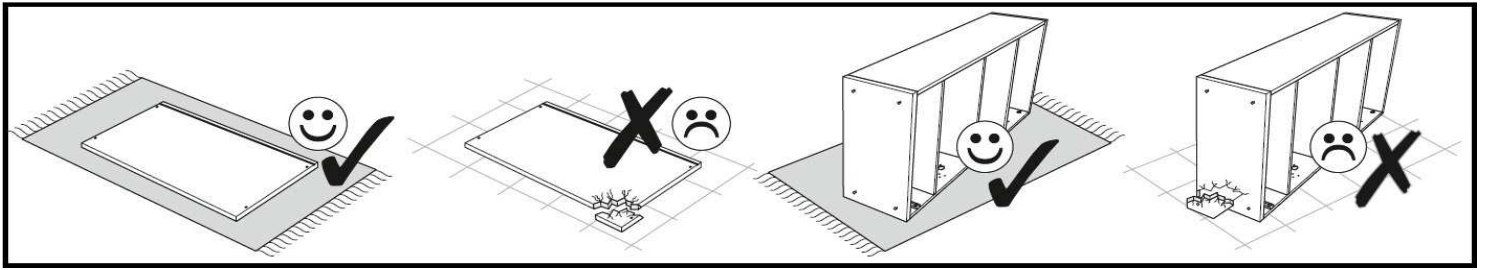




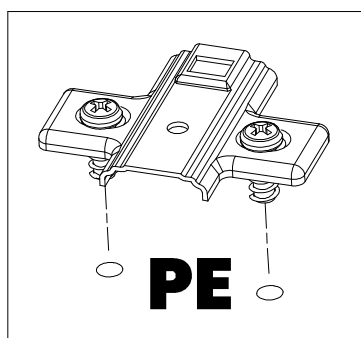
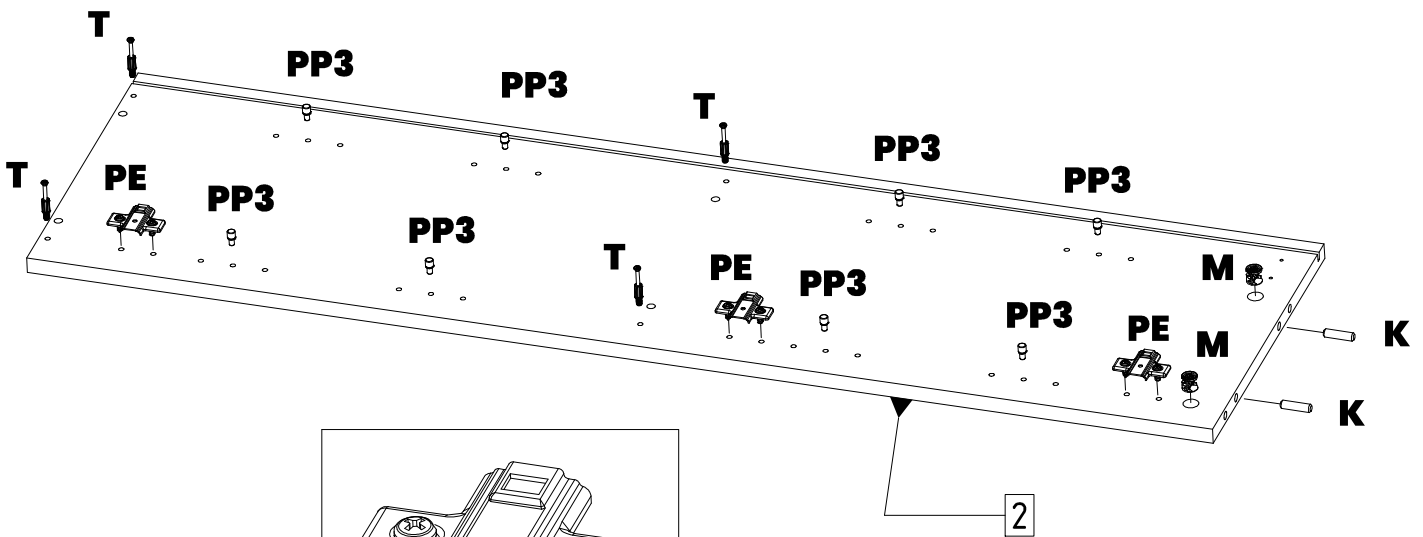
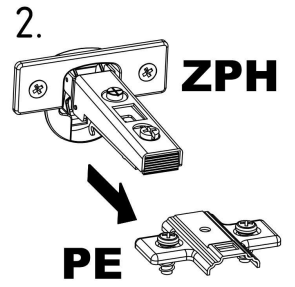
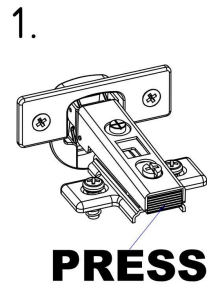
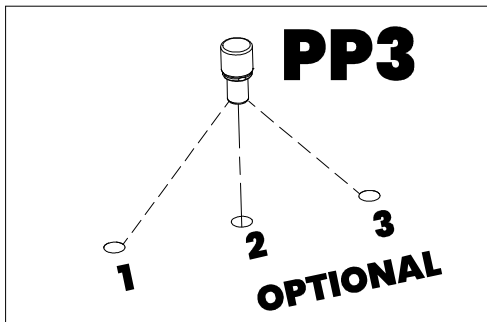
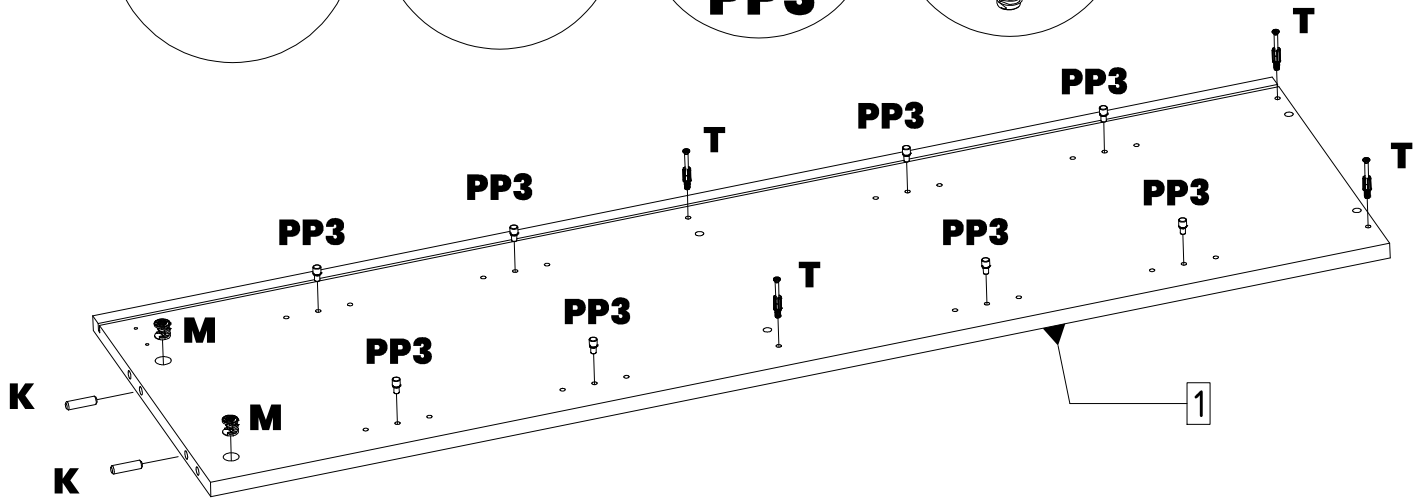
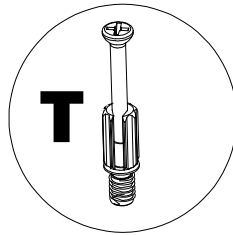
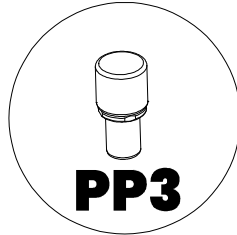
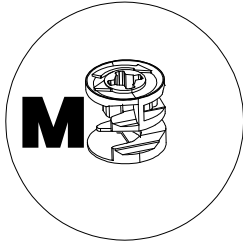
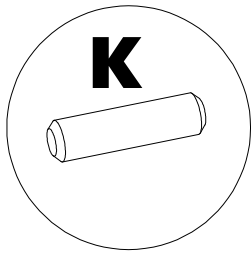
<p>8 x 30</p>  <p>K</p>	<p>15 x 12</p>  <p>M</p>	<p>4 x 25</p>  <p>M25</p>	 <p>PE</p>	 <p>PP3</p>
 <p>ST</p>	<p>6 x 34 mm</p>  <p>T</p>	 <p>UG2</p>	<p>4 x 16</p>  <p>W16</p>	<p>4 x 30 mm</p>  <p>W29</p>
 <p>Z</p>	 <p>ZPH</p>	<p>LEFT/RIGHT</p>  <p>ZR</p>		

BL (1)	332	1184	1	K	12
BP (2)	332	1184	1	M	12
FT (3)	341	1195	1	M25	1
PC (4)	1181	327	1	PE	3
PK (5)	312	302	4	PP3	16
PPO (6)	313	313	1	ST	12
WD (7)	332	313	1	T	12
WG (8)	346	332	1	UG2	1
				W16	6
				W29	4
				Z	12
				ZPH	3
				ZR	2

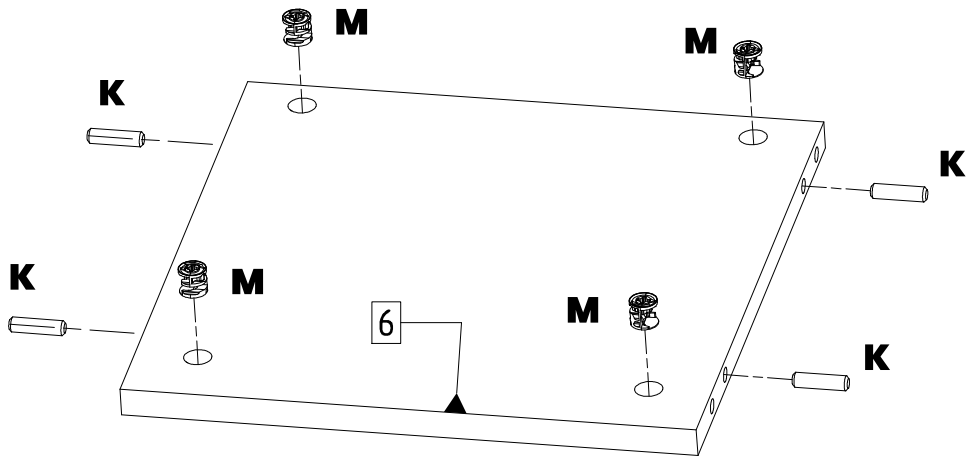
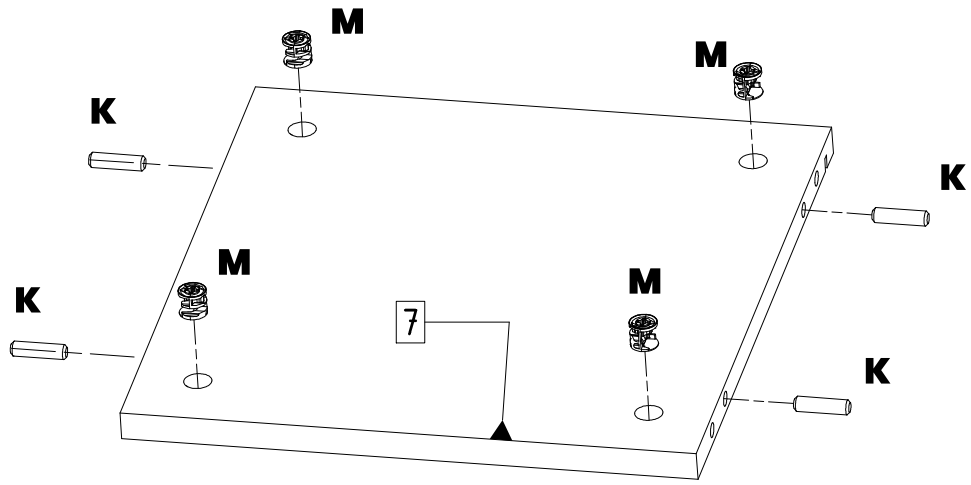




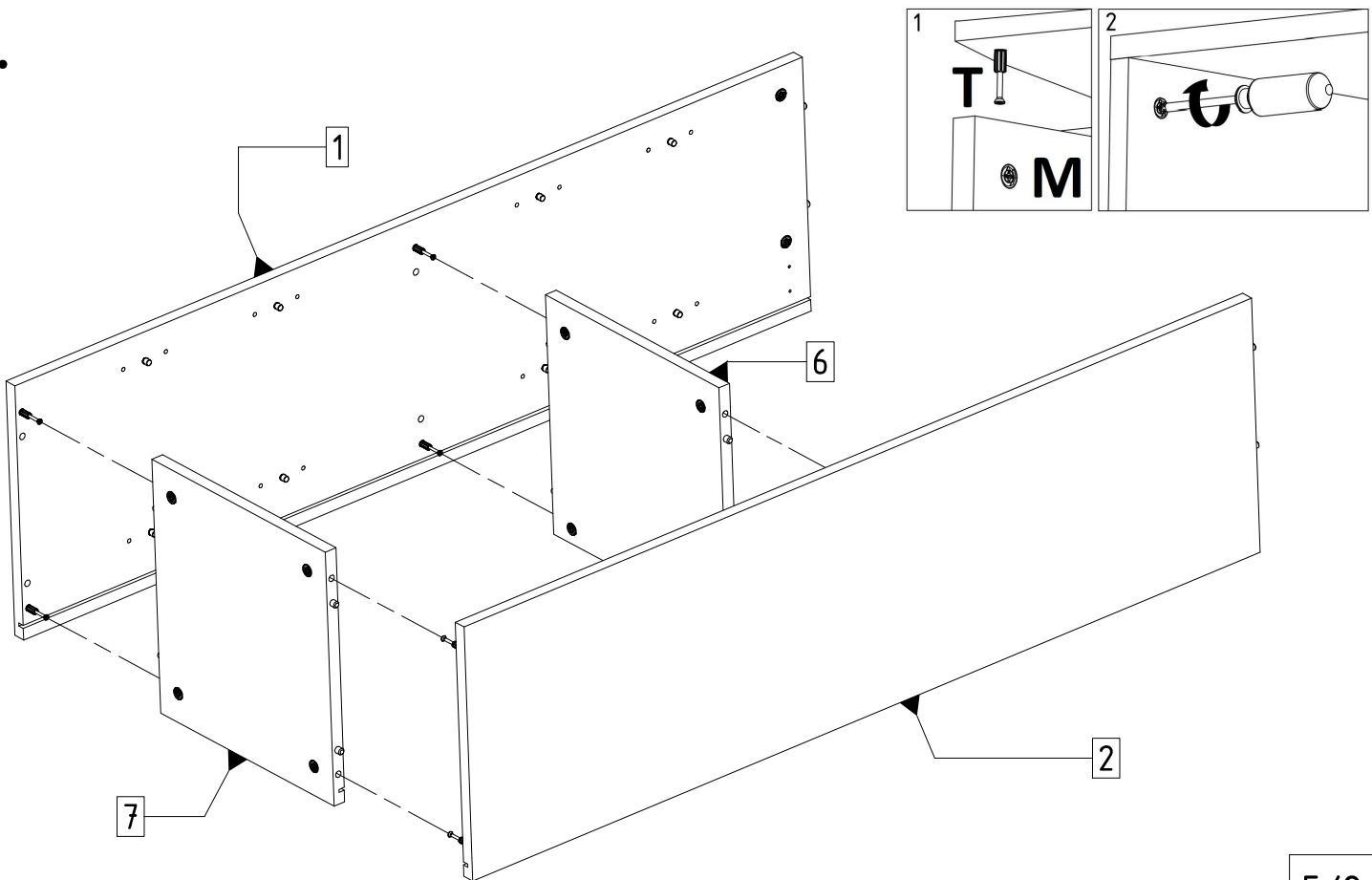
1.



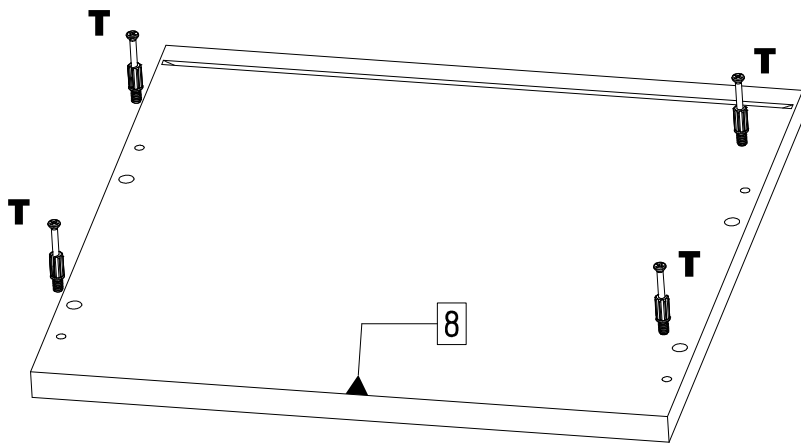
2.



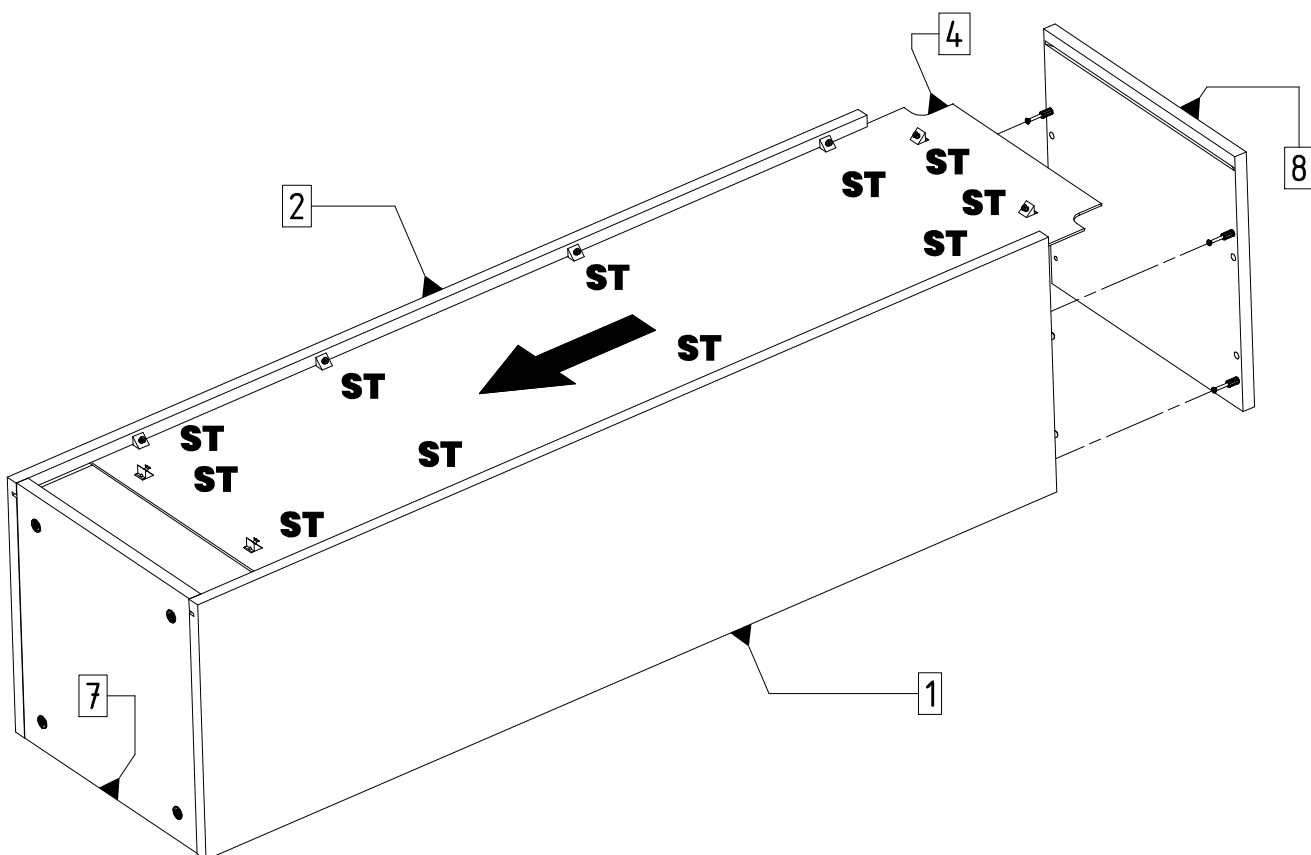
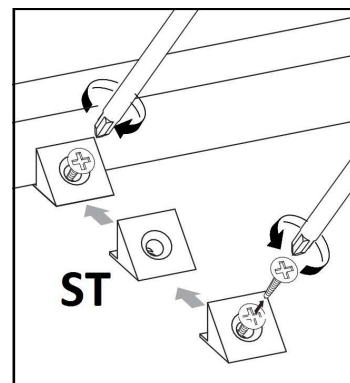
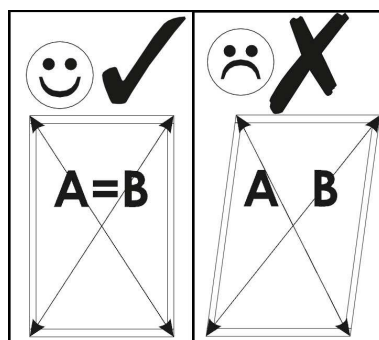
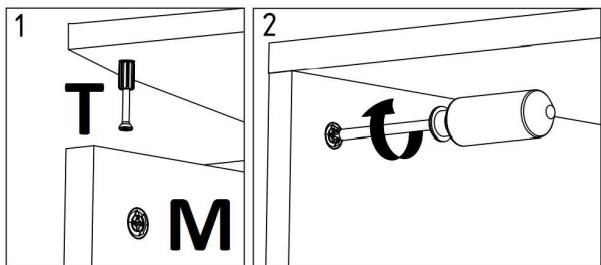
3.



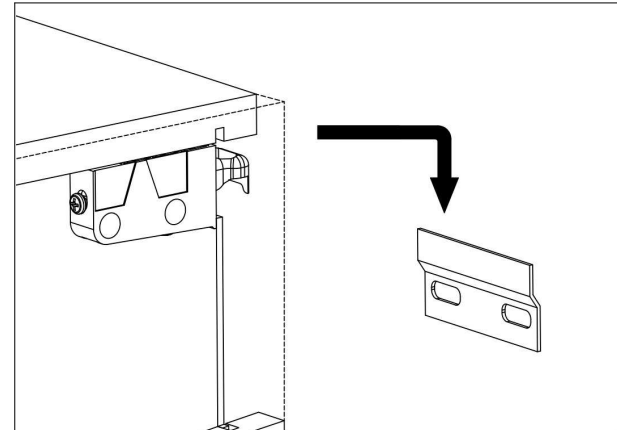
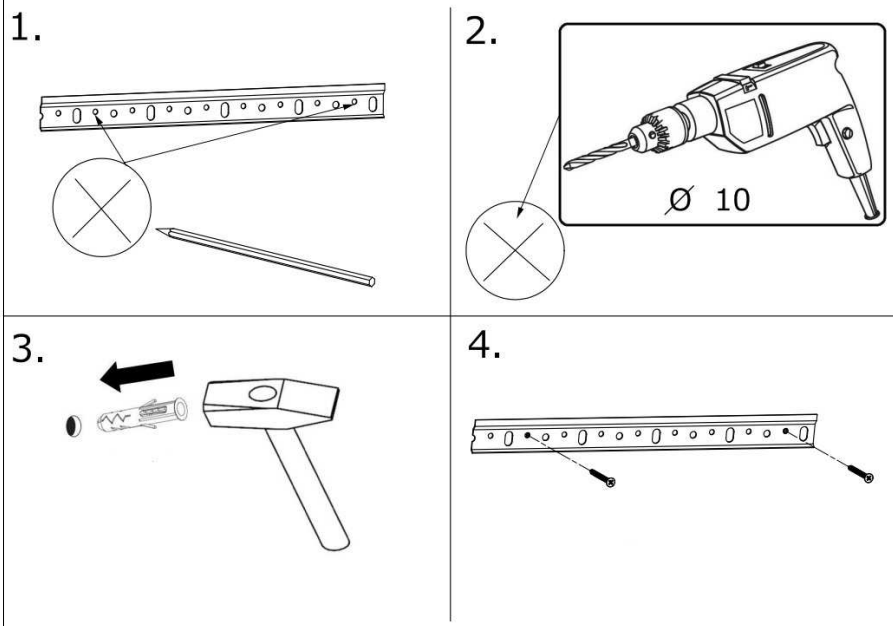
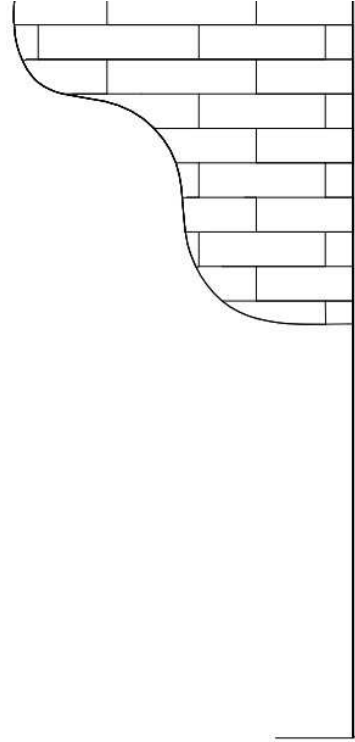
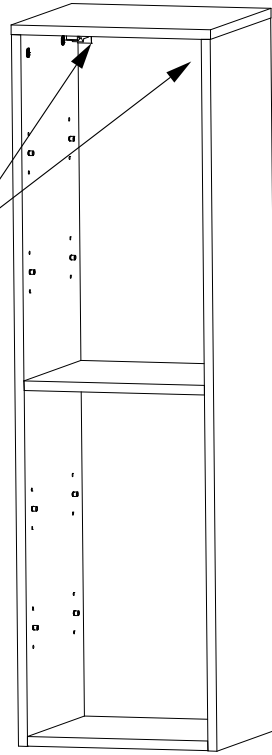
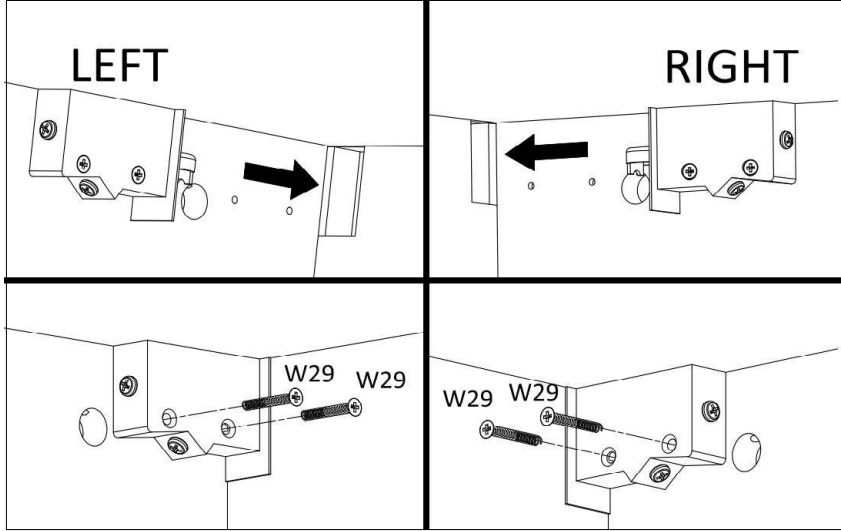
4.



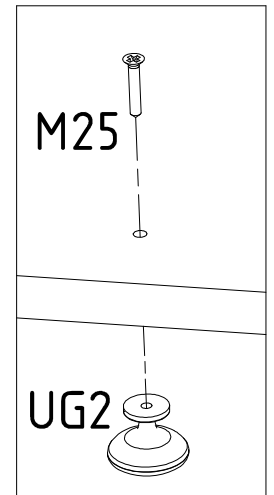
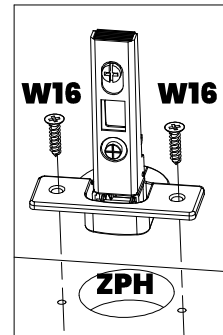
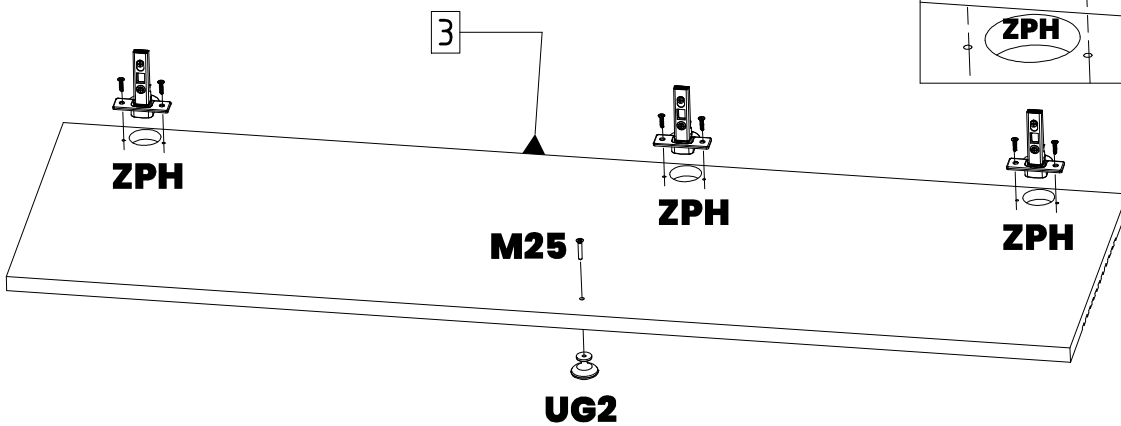
5.



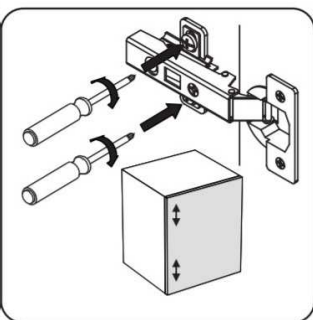
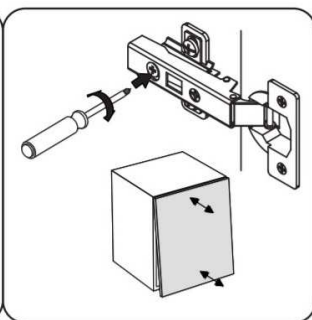
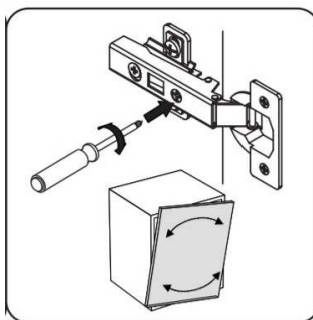
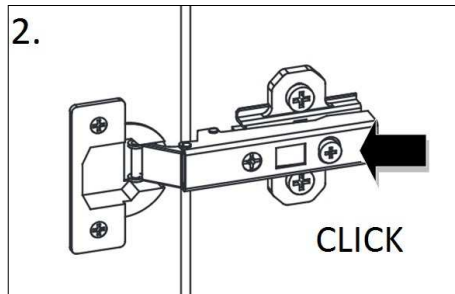
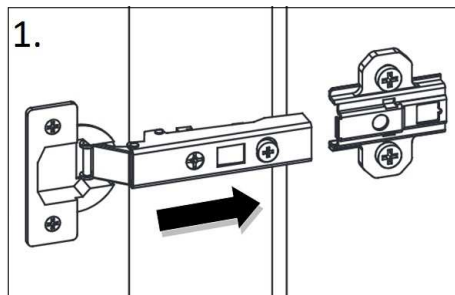
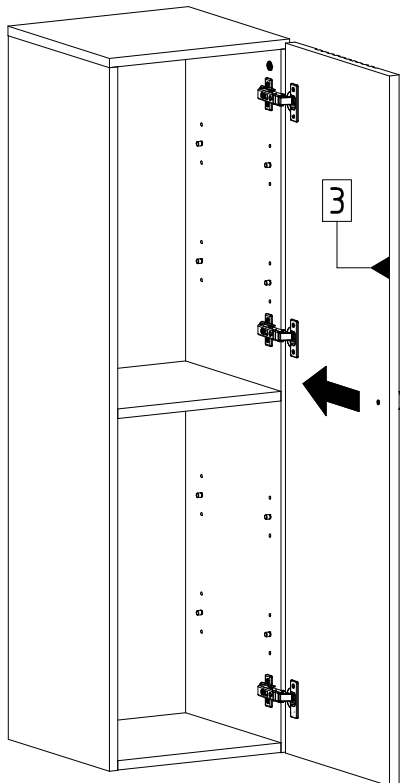
6.



7.



8.



max.
6 kg

