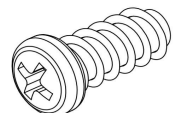
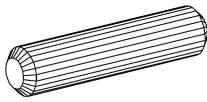
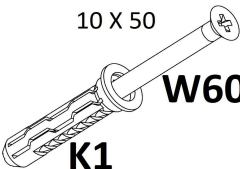
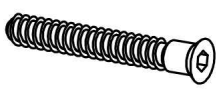

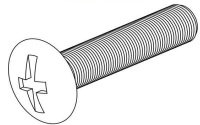

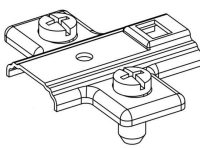
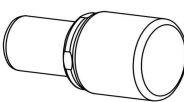
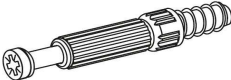

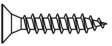
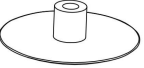
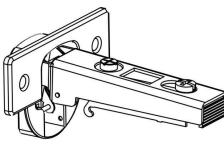
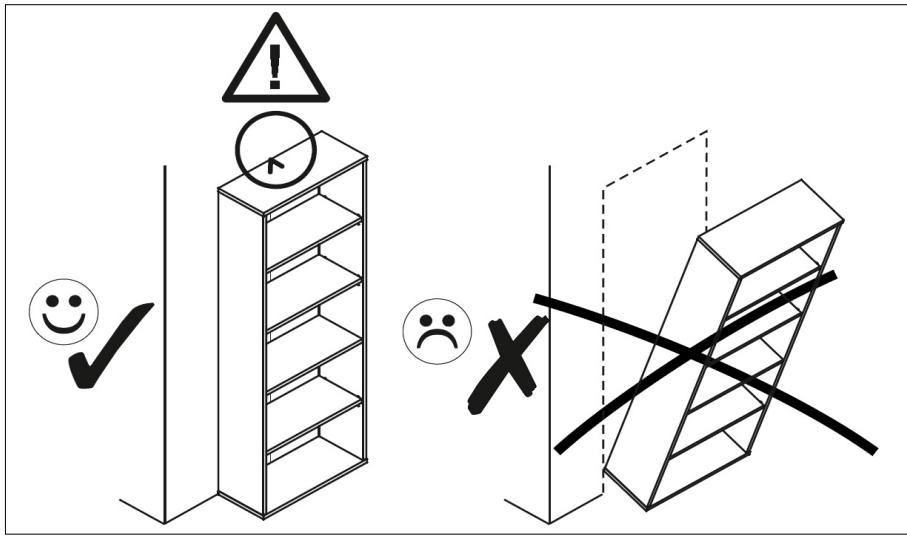
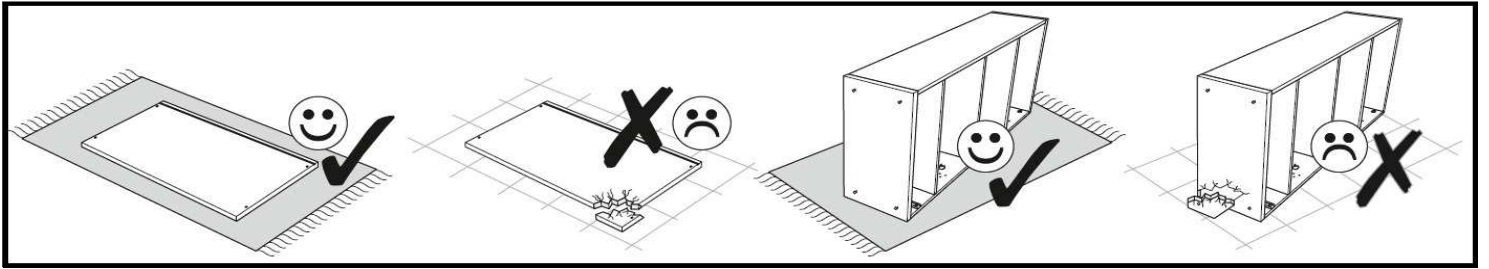
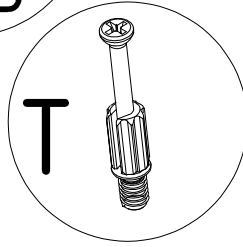
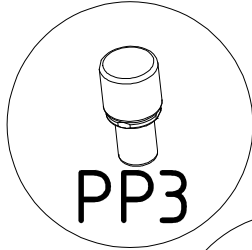
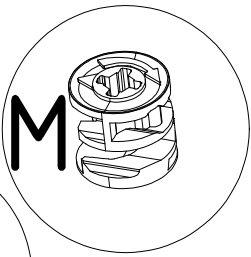
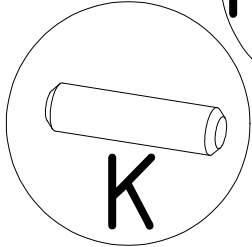
 <b>A1</b>	6,3 X 13  <b>E13</b>	8 x 30  <b>K</b>	10 X 50  <b>K1</b>	 <b>KN</b>
15 x 12  <b>M</b>	4 x 25  <b>M25</b>	h = 200mm  <b>NS</b>	 <b>PE</b>	 <b>PP3</b>
6 x 34 mm  <b>T</b>	 <b>UG2</b>	4 x 16  <b>W16</b>	 <b>Z</b>	 <b>ZPH</b>

BL [1]	440	519	1	A1	1
BP [2]	440	519	1	E13	16
FT1 [3]	447	512	1	K	18
FT2 [4]	447	512	1	K1	2
LD [5]	867	70	1	KN	4
LG [6]	867	100	1	M	16
P1 [7]	503	422	1	M25	2
P2 [8]	503	422	1	NS=200mm	4
PK [9]	341	412	2	PE	4
WD [10]	867	440	1	PP3	8
WG [11]	900	459	1	T	16
				UG2	2
				W16	8
				W60	2
				Z	16
				ZPH	4

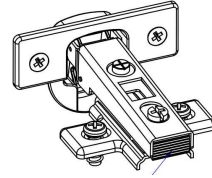




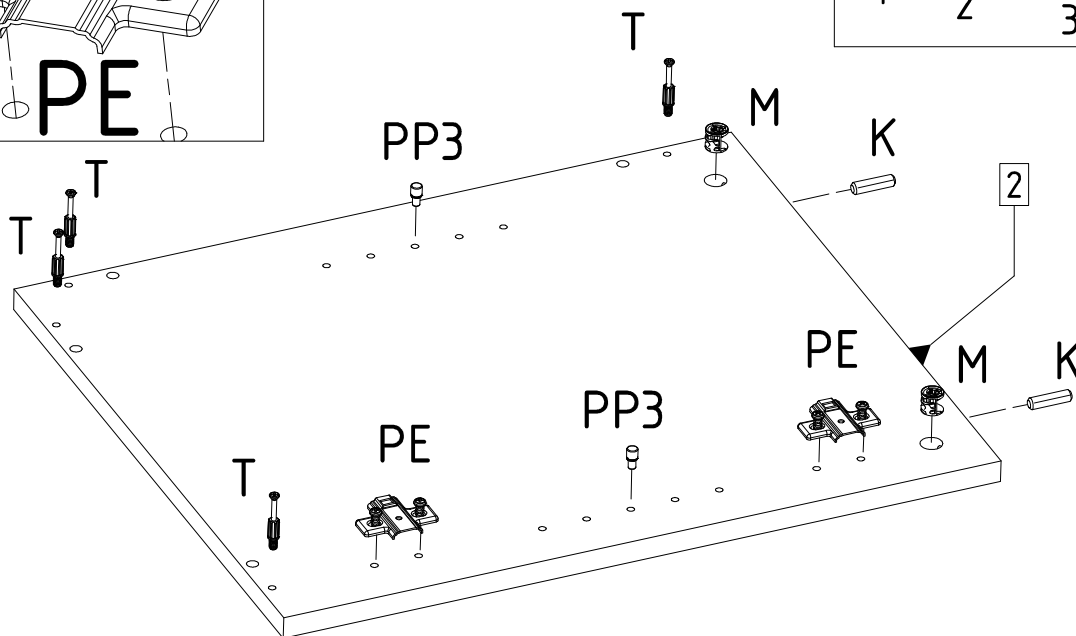
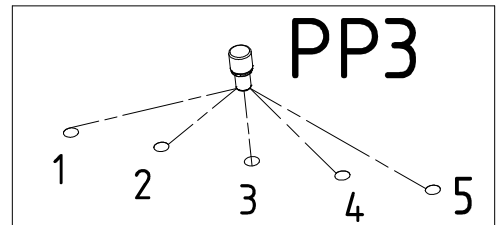
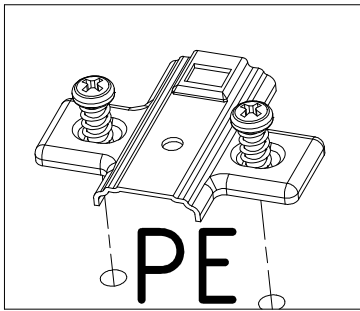
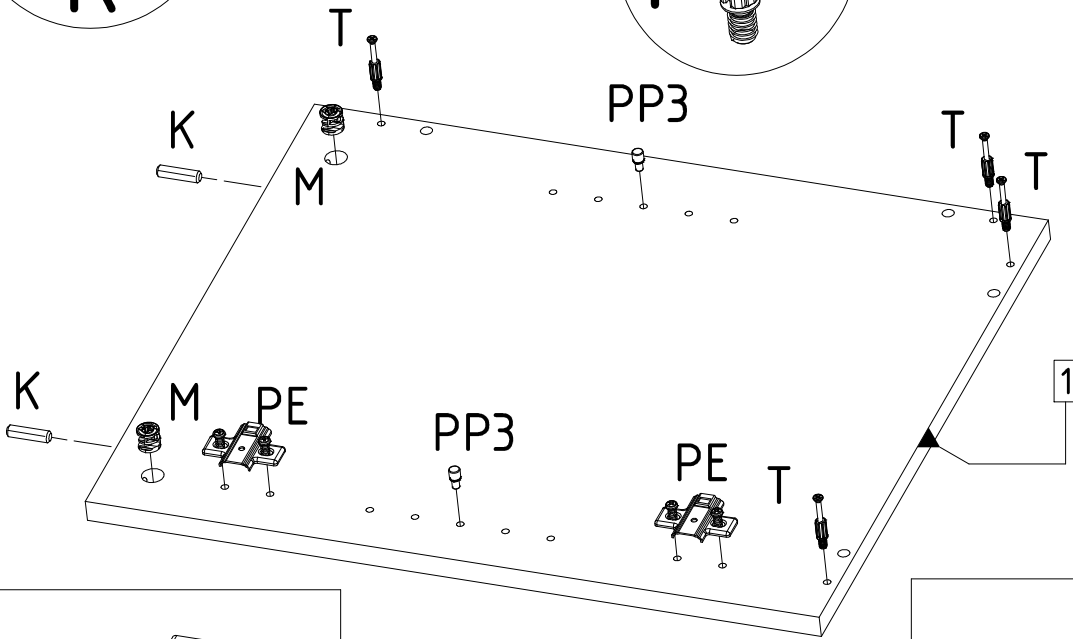
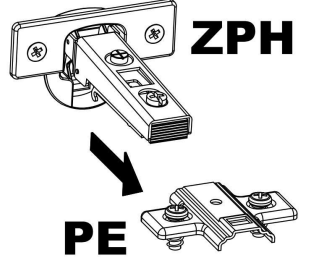
1.



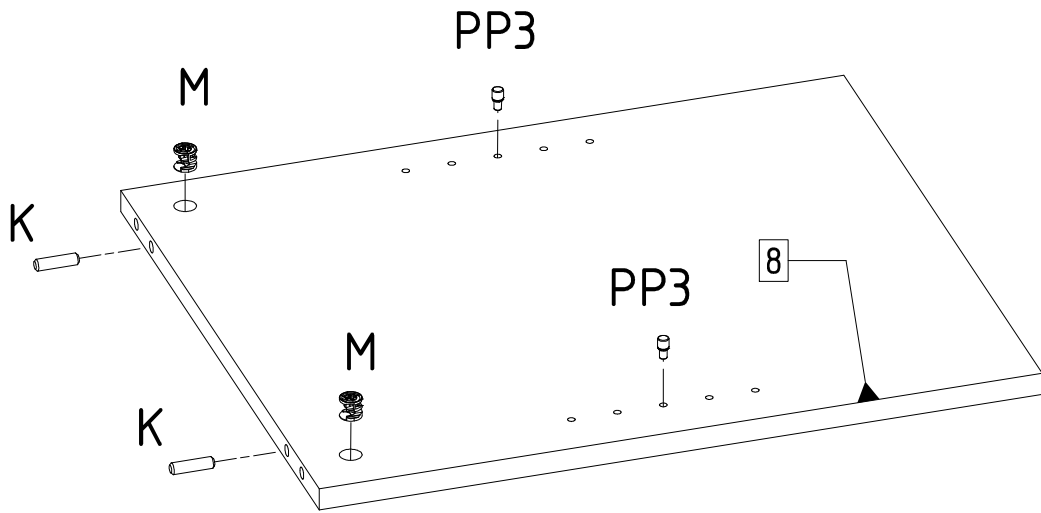
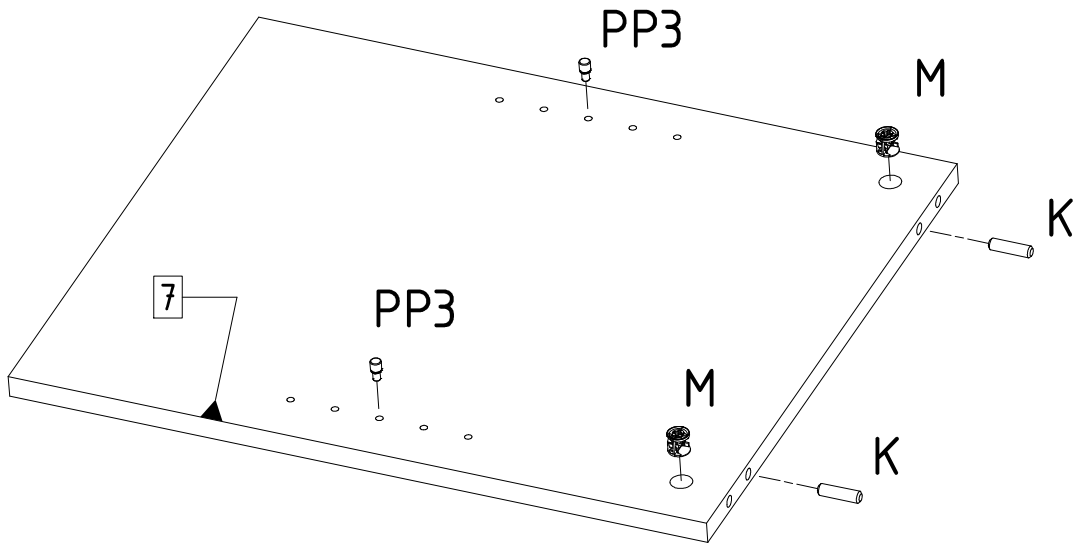
1.



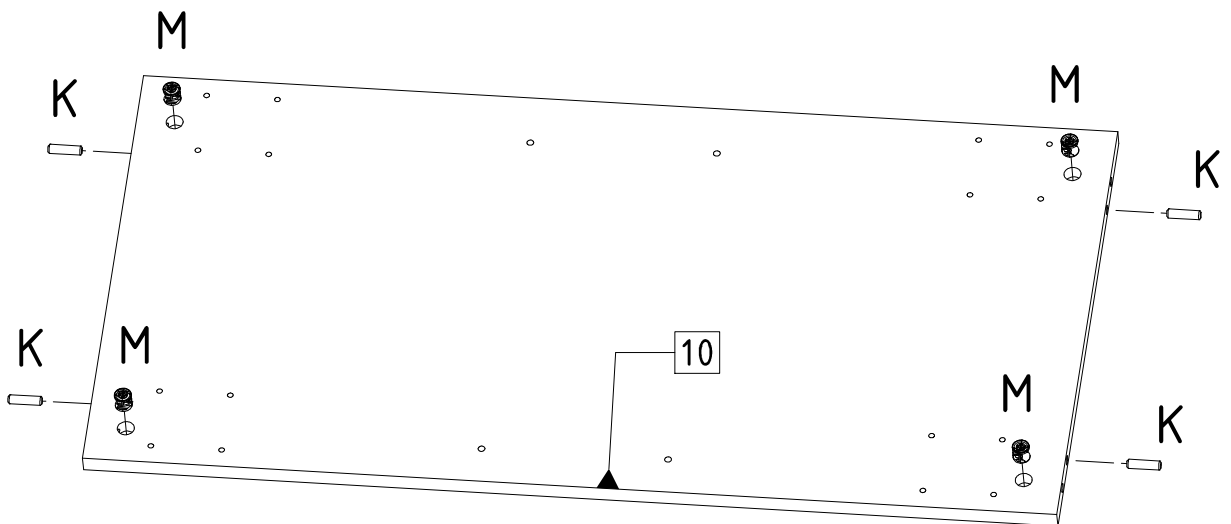
2.

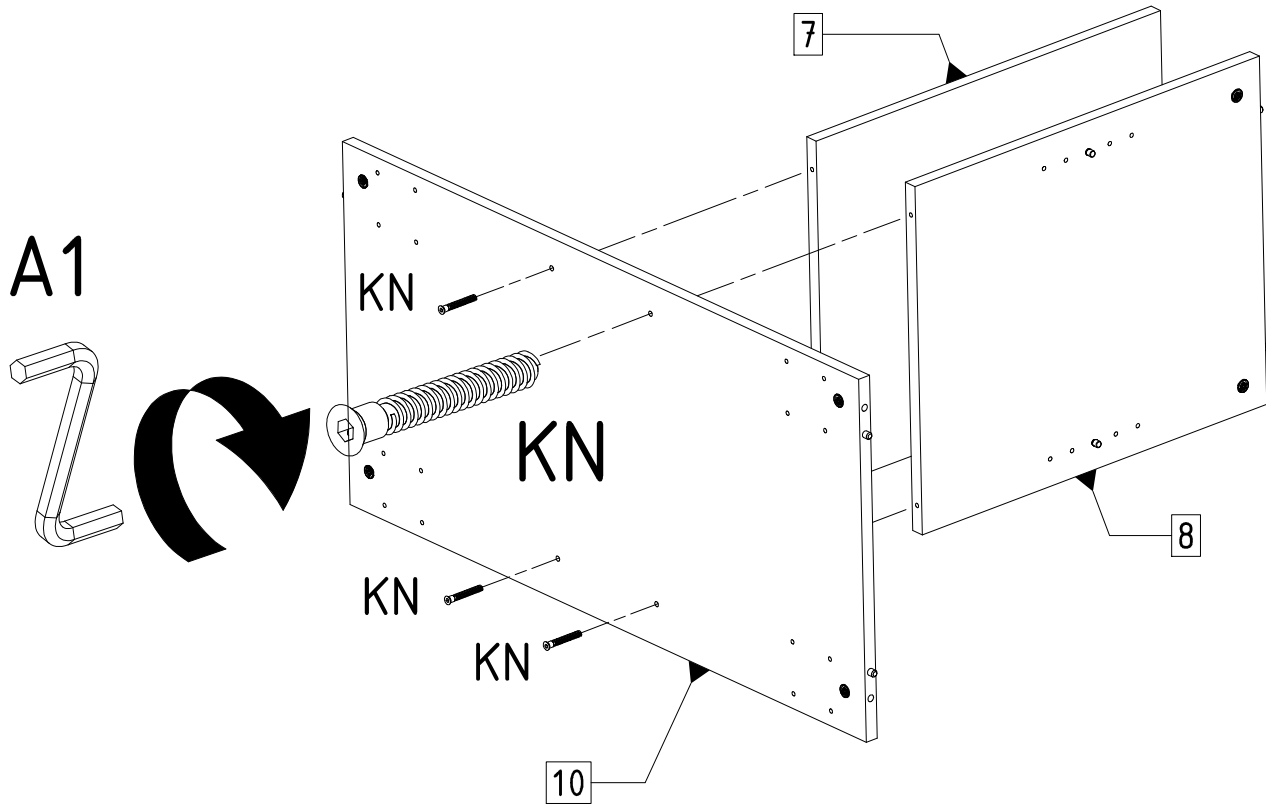


2.

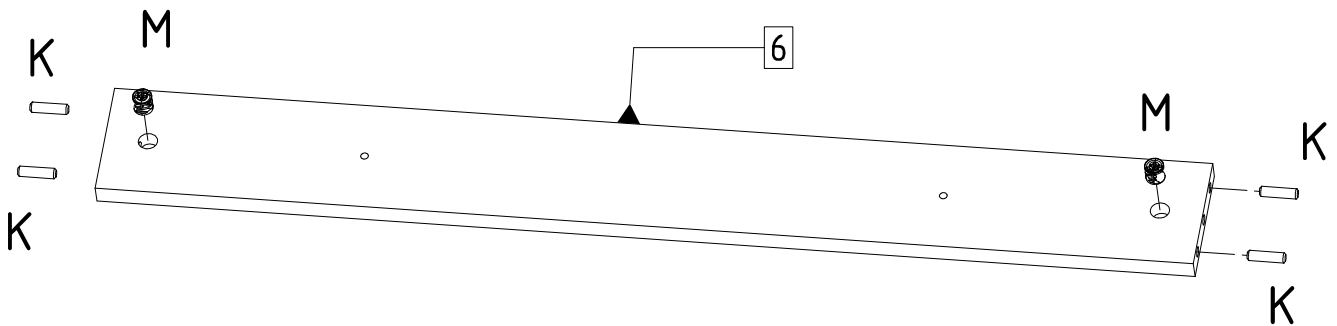
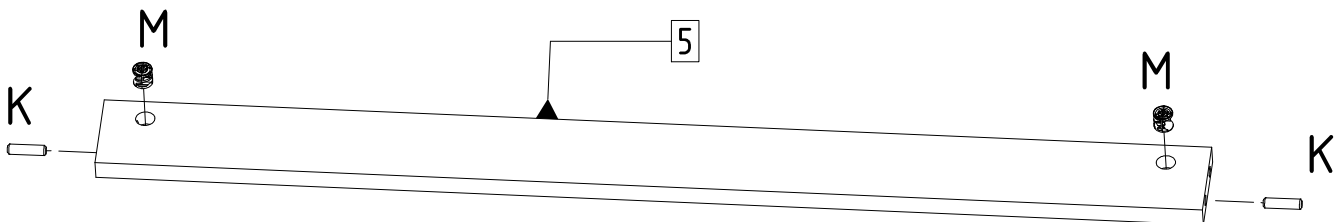


3.

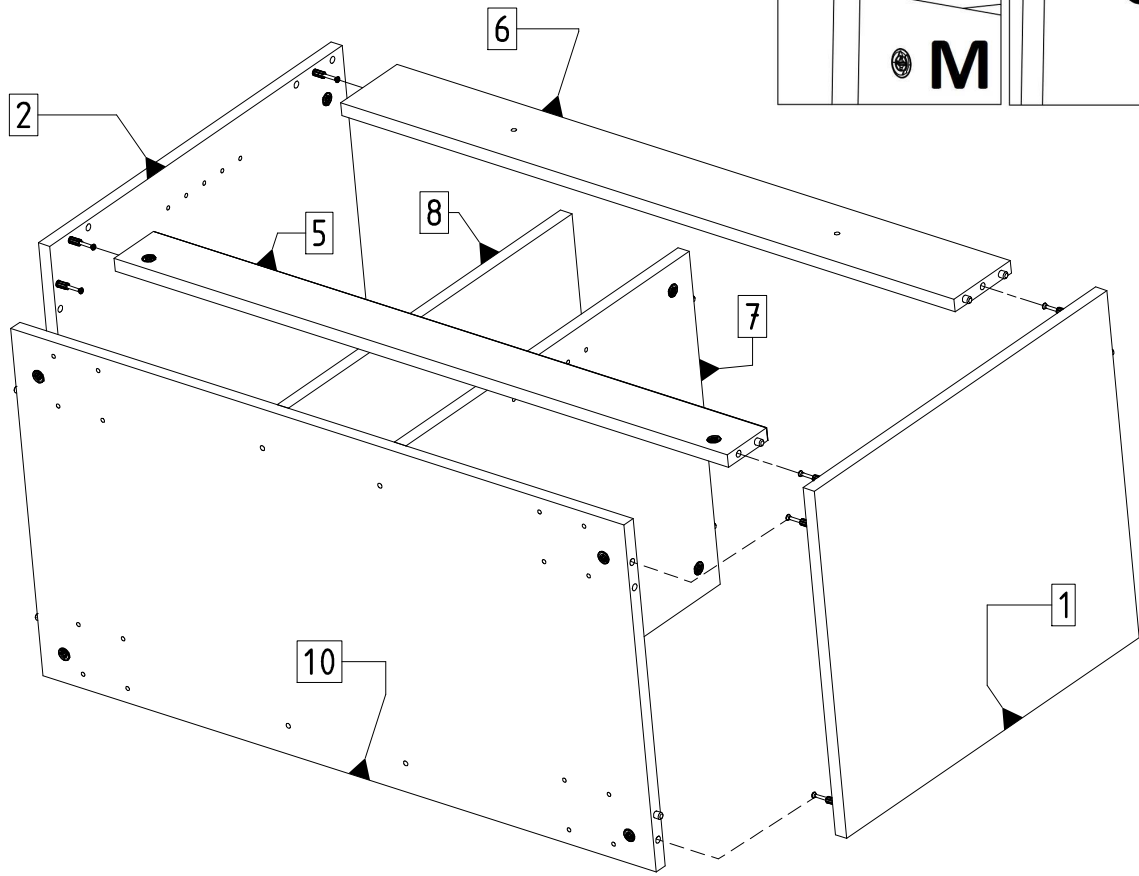




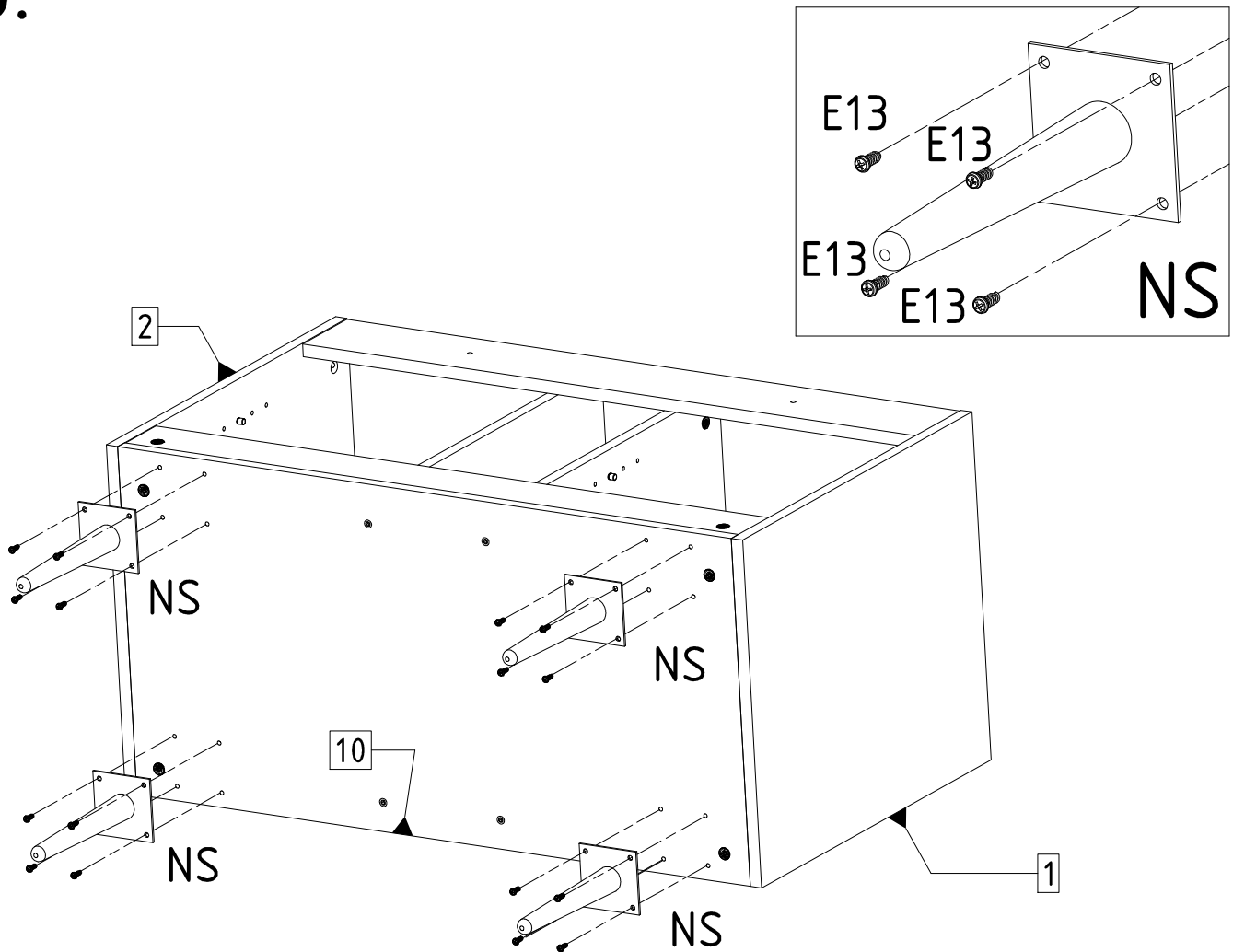
4.



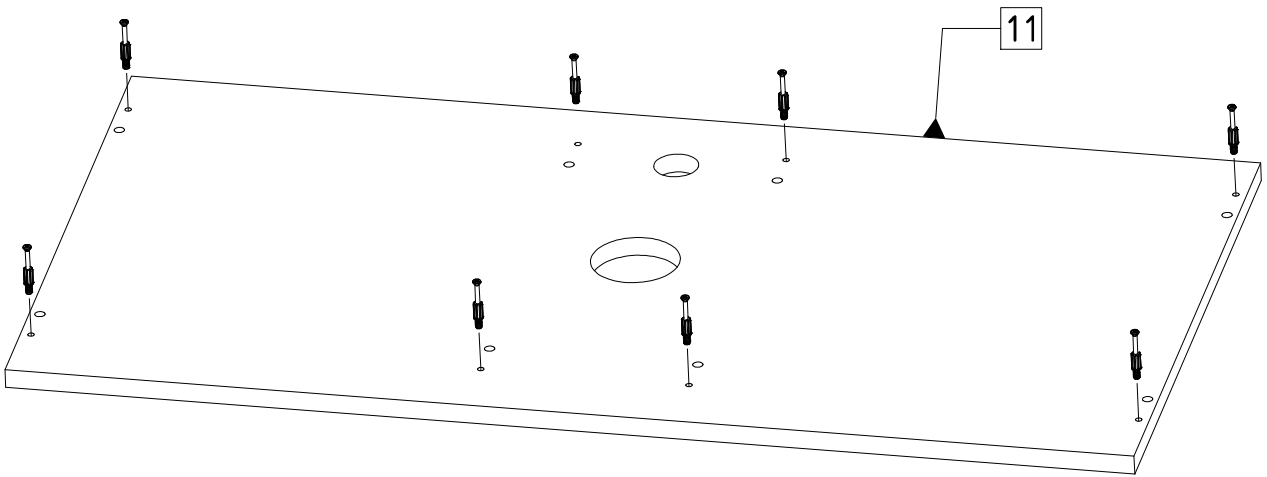
5.



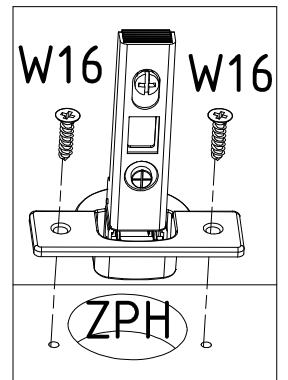
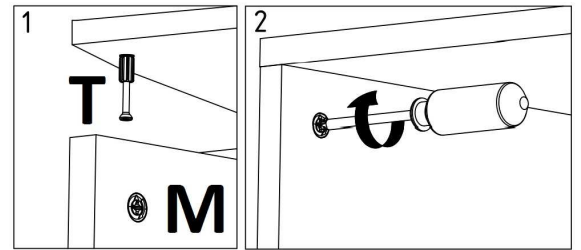
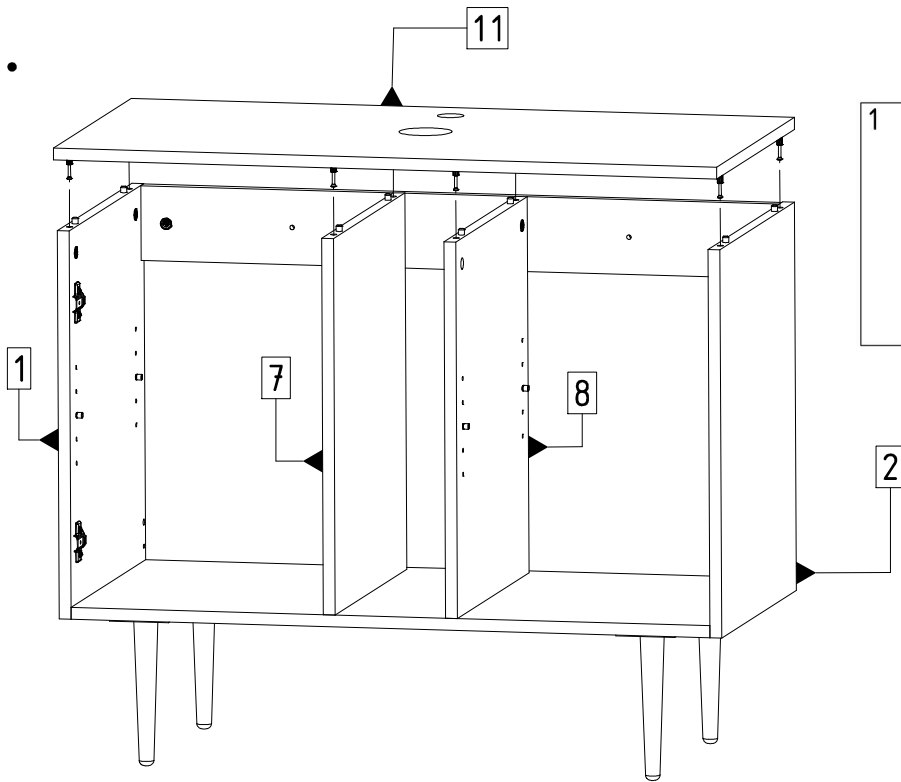
6.



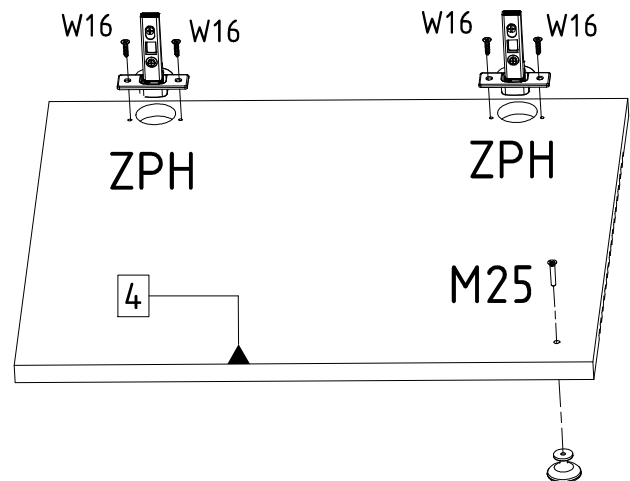
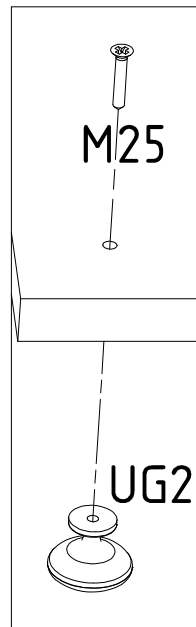
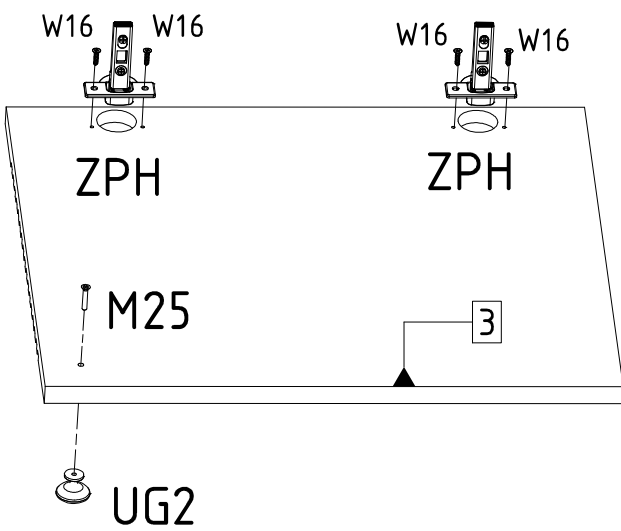
7.



8.



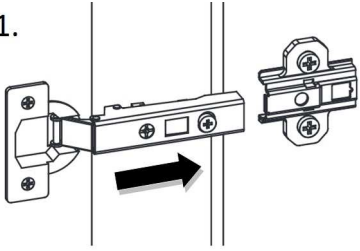
9.



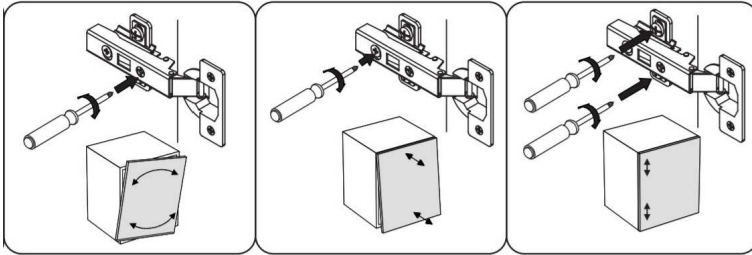
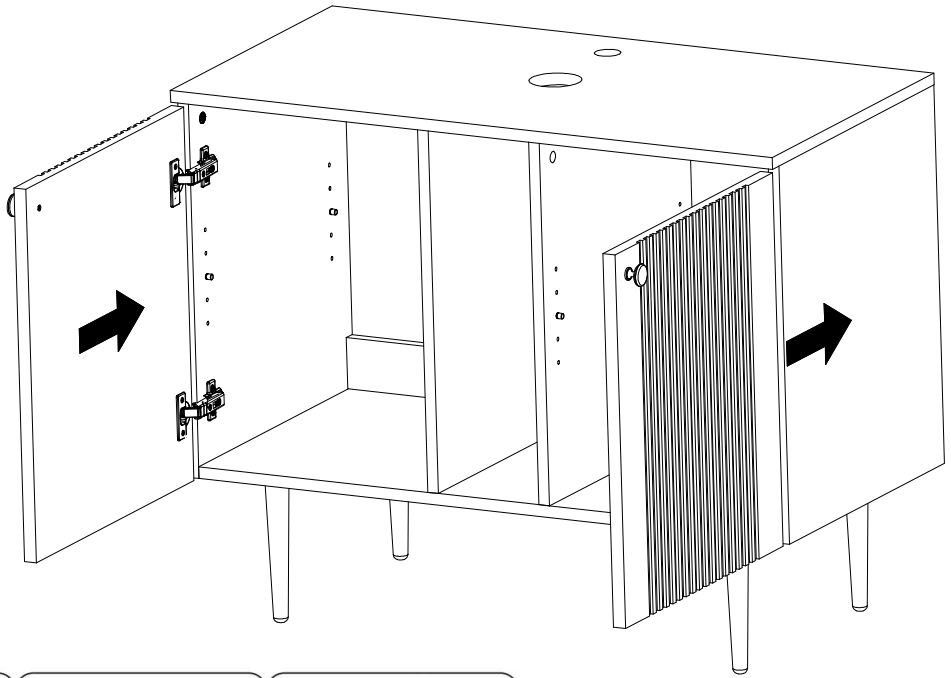
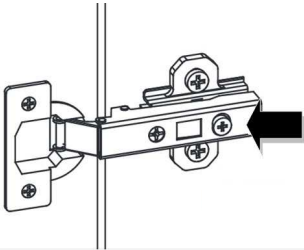


# 10.

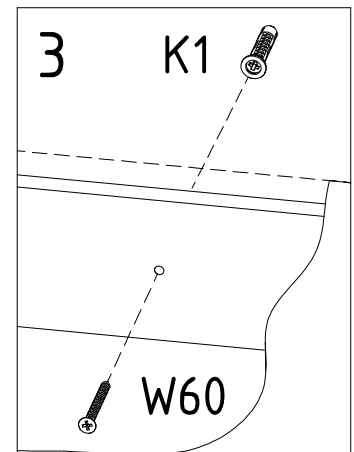
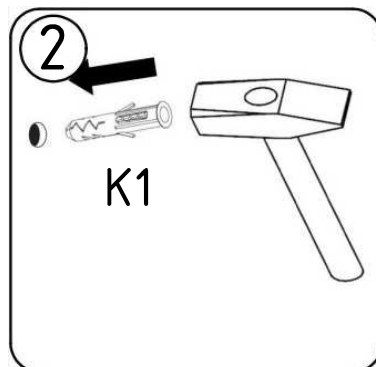
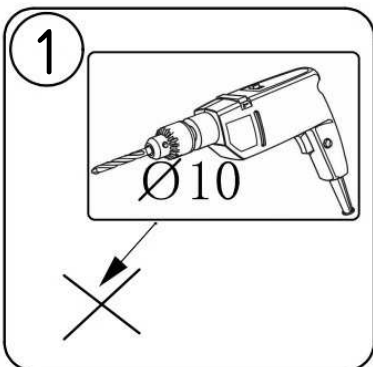
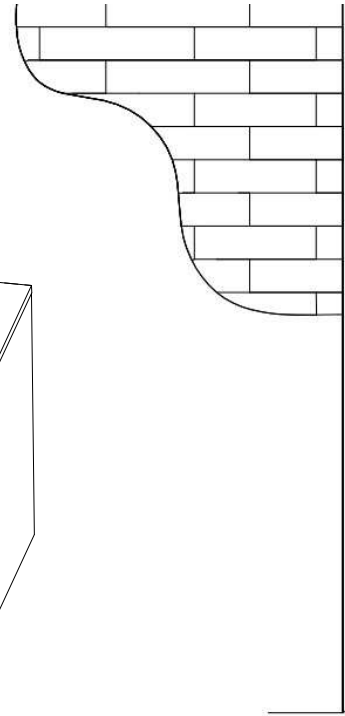
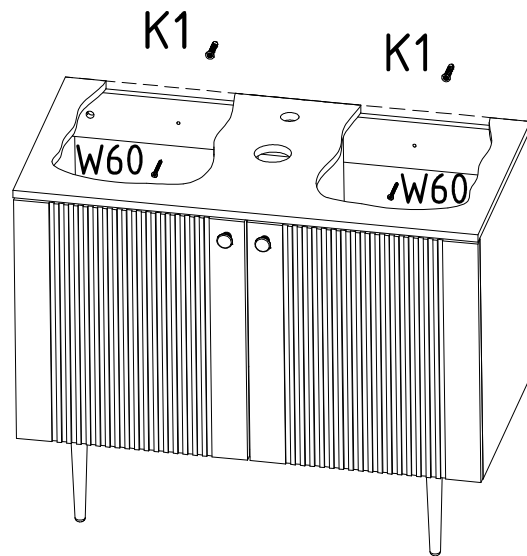
1.



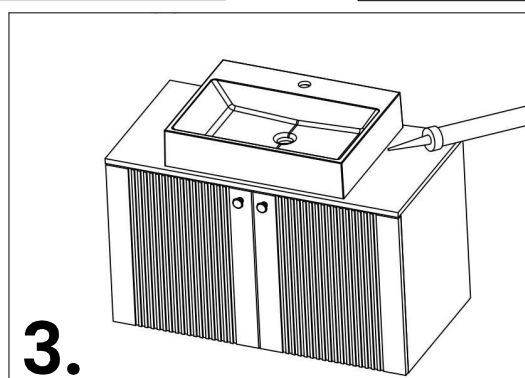
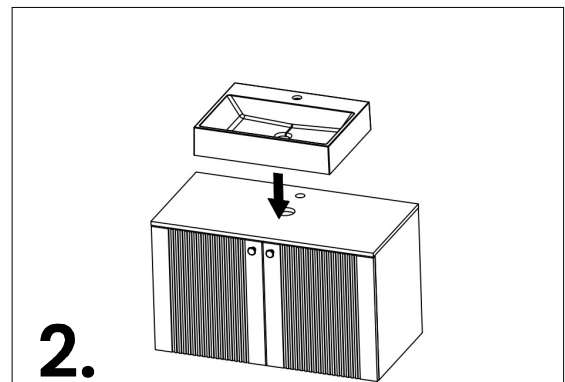
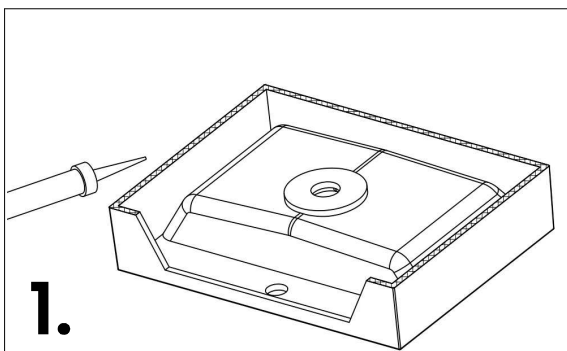
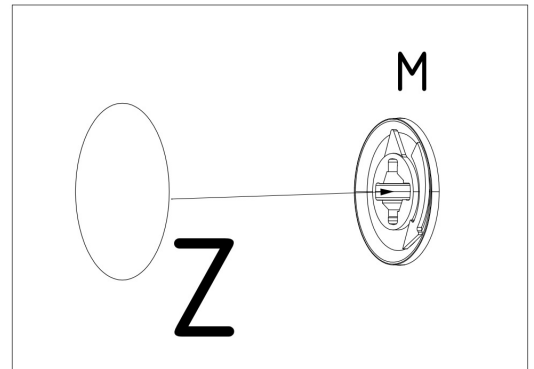
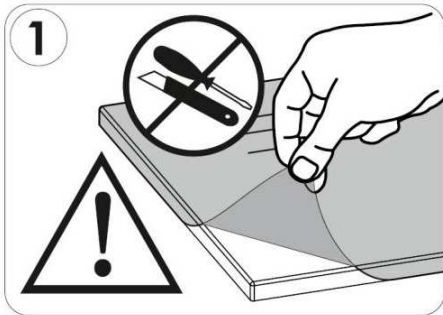
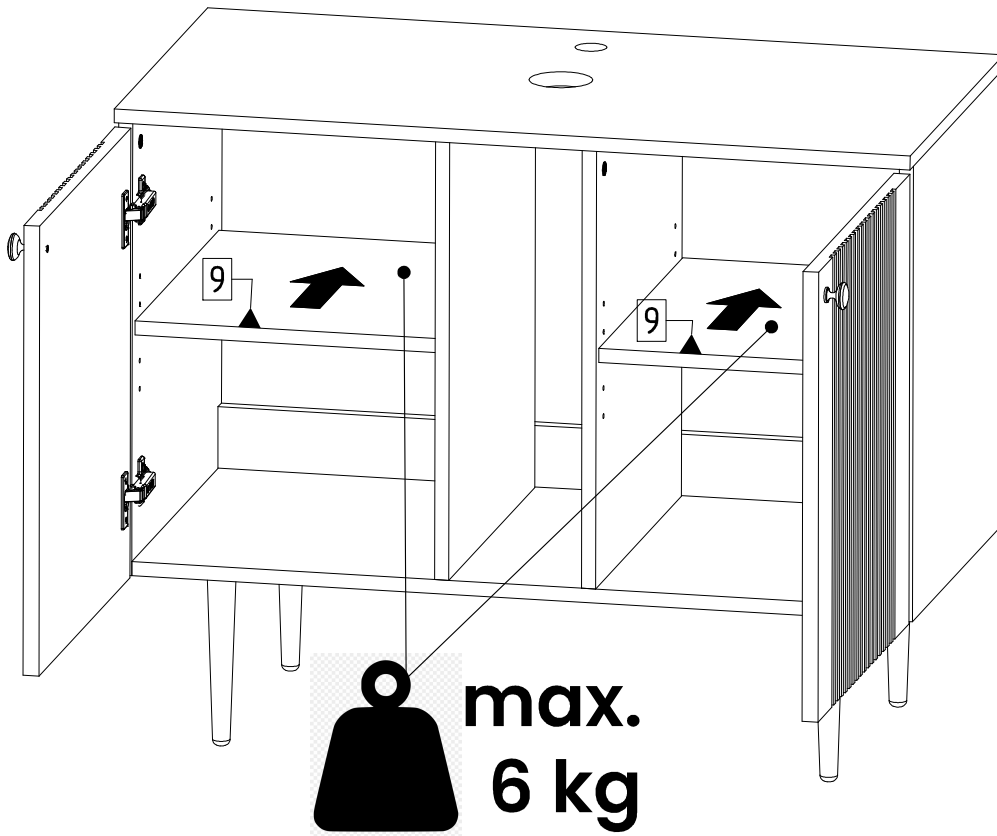
2.

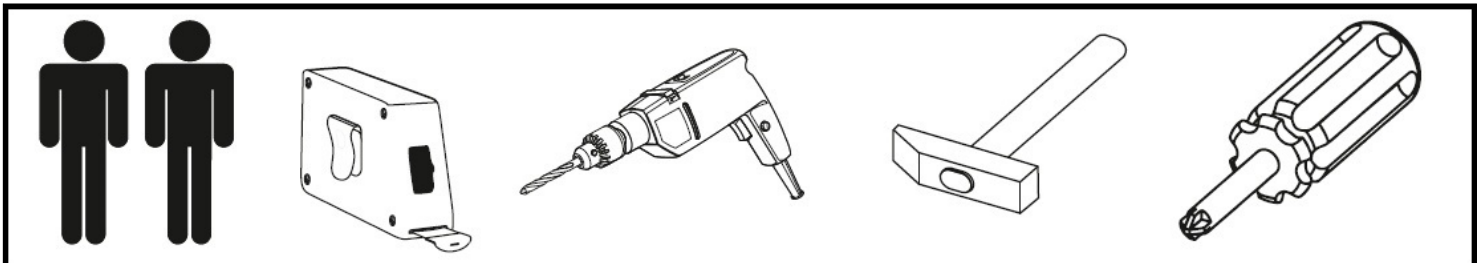
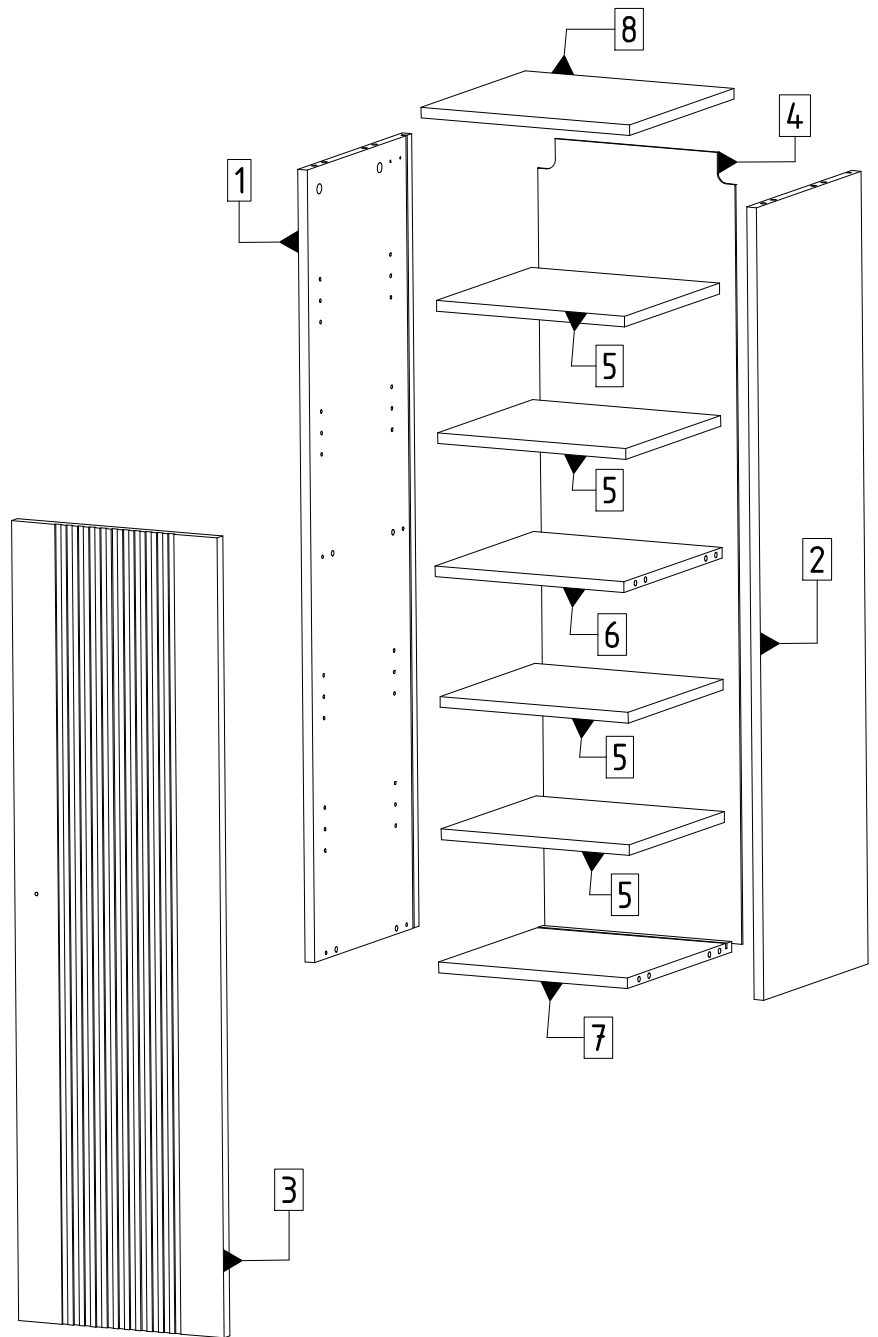
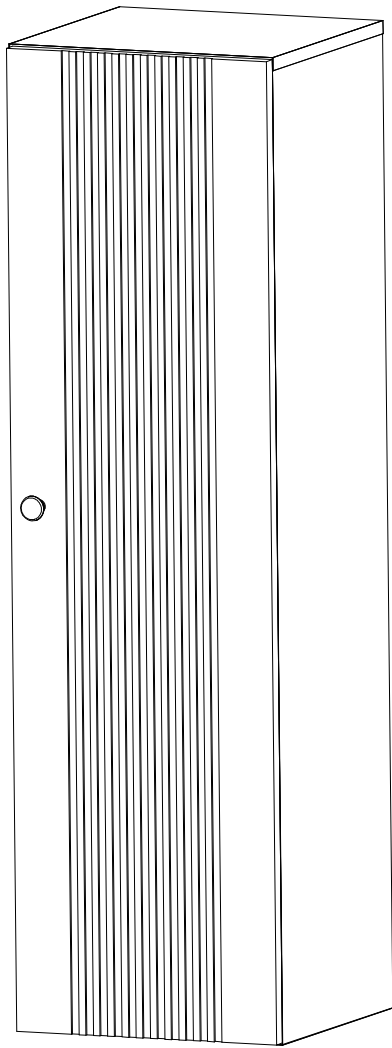


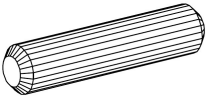

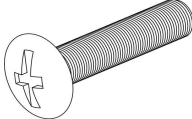
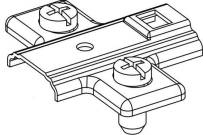
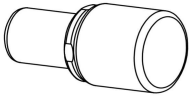
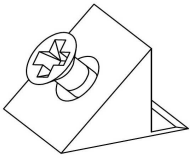
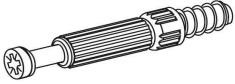

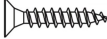
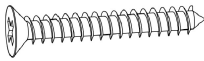
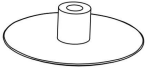
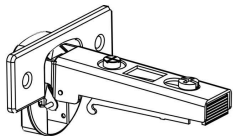
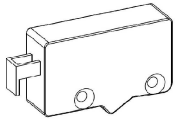
# 11.



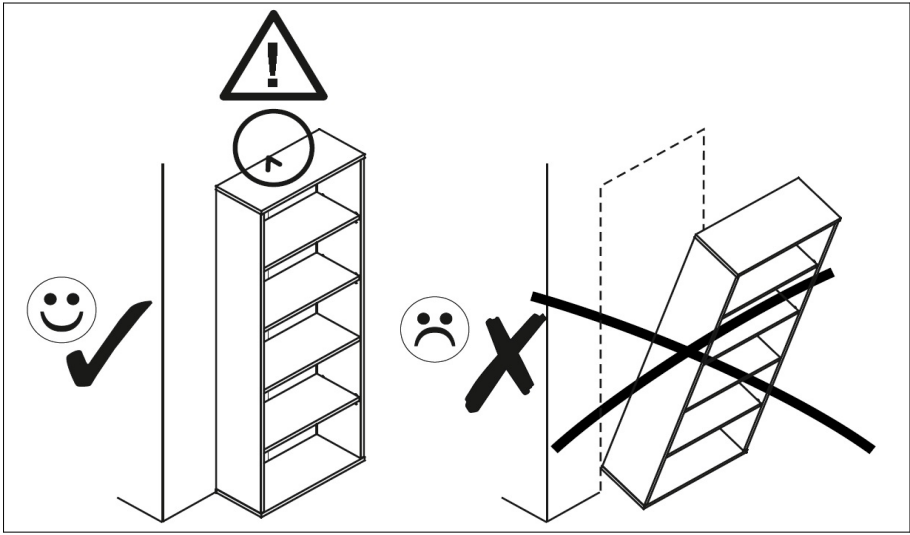
12.

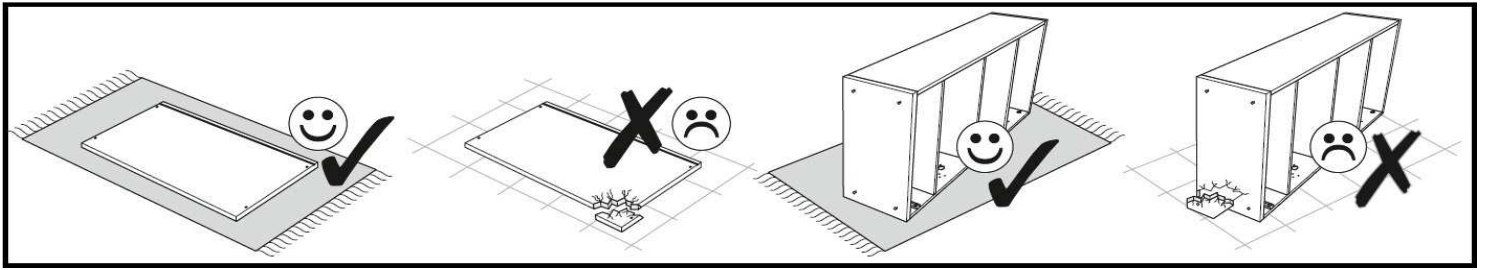




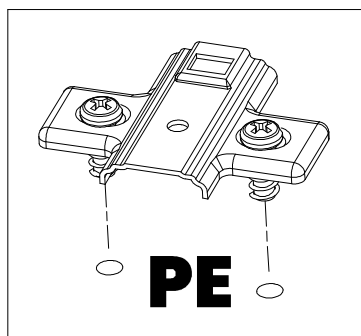
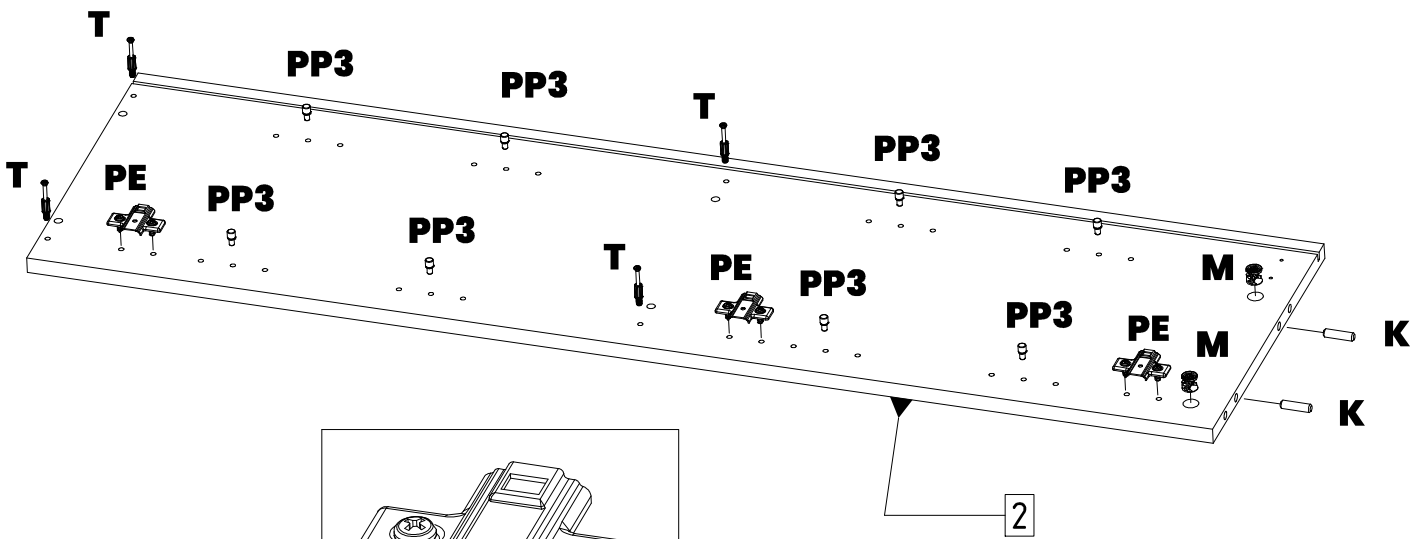
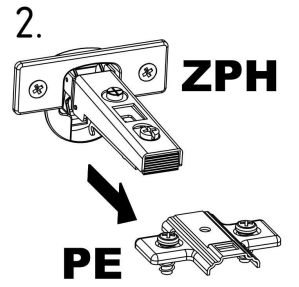
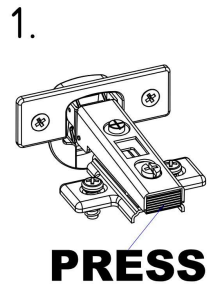
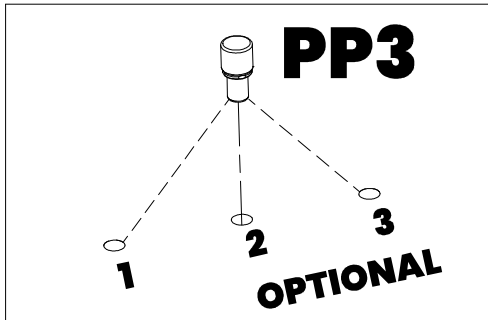
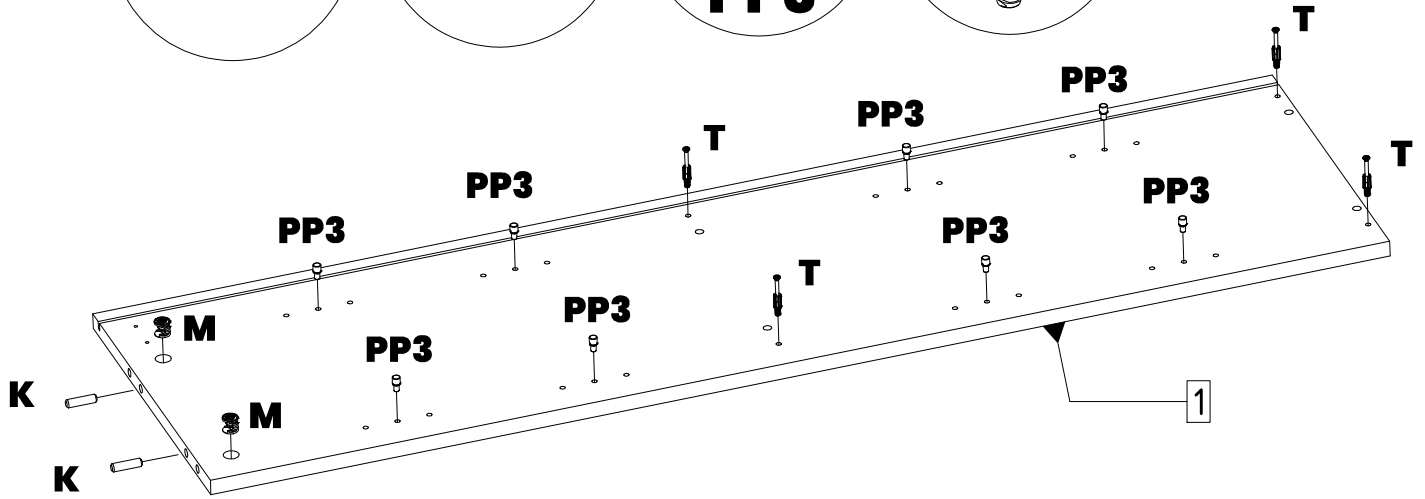
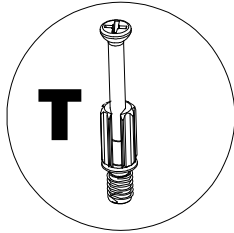
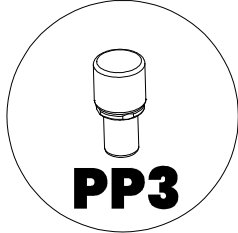
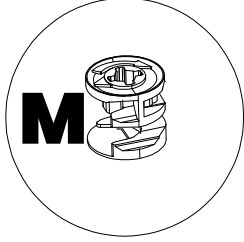
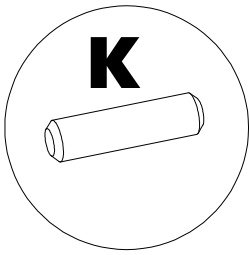
<p>8 x 30</p>  <p><b>K</b></p>	<p>15 x 12</p>  <p><b>M</b></p>	<p>4 x 25</p>  <p><b>M25</b></p>	 <p><b>PE</b></p>	 <p><b>PP3</b></p>
 <p><b>ST</b></p>	<p>6 x 34 mm</p>  <p><b>T</b></p>	 <p><b>UG2</b></p>	<p>4 x 16</p>  <p><b>W16</b></p>	<p>4 x 30 mm</p>  <p><b>W29</b></p>
 <p><b>Z</b></p>	 <p><b>ZPH</b></p>	<p>LEFT/RIGHT</p>  <p><b>ZR</b></p>		

BL (1)	332	1184	1	K	12
BP (2)	332	1184	1	M	12
FT (3)	341	1195	1	M25	1
PC (4)	1181	327	1	PE	3
PK (5)	312	302	4	PP3	16
PPO (6)	313	313	1	ST	12
WD (7)	332	313	1	T	12
WG (8)	346	332	1	UG2	1
				W16	6
				W29	4
				Z	12
				ZPH	3
				ZR	2

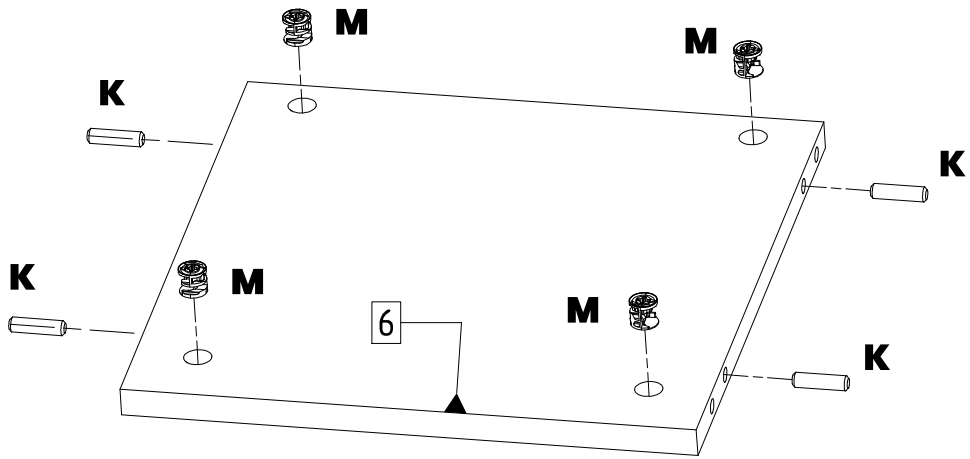
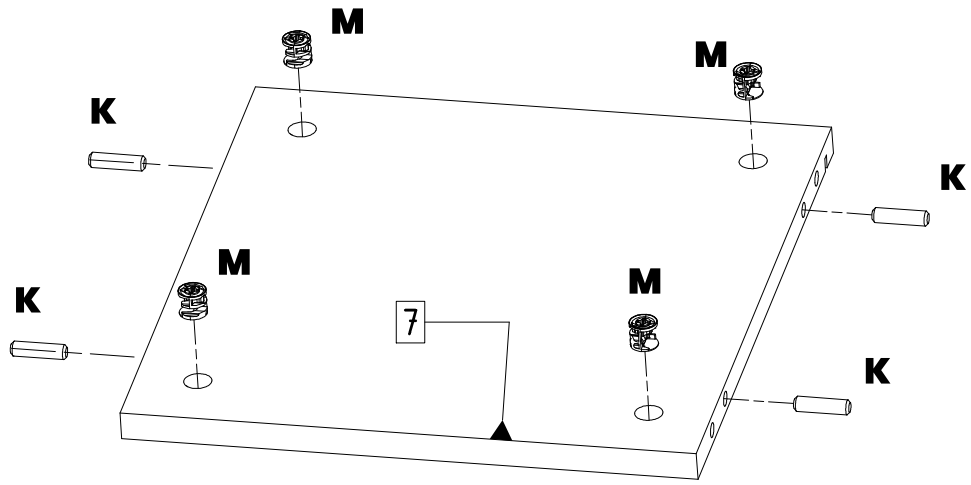




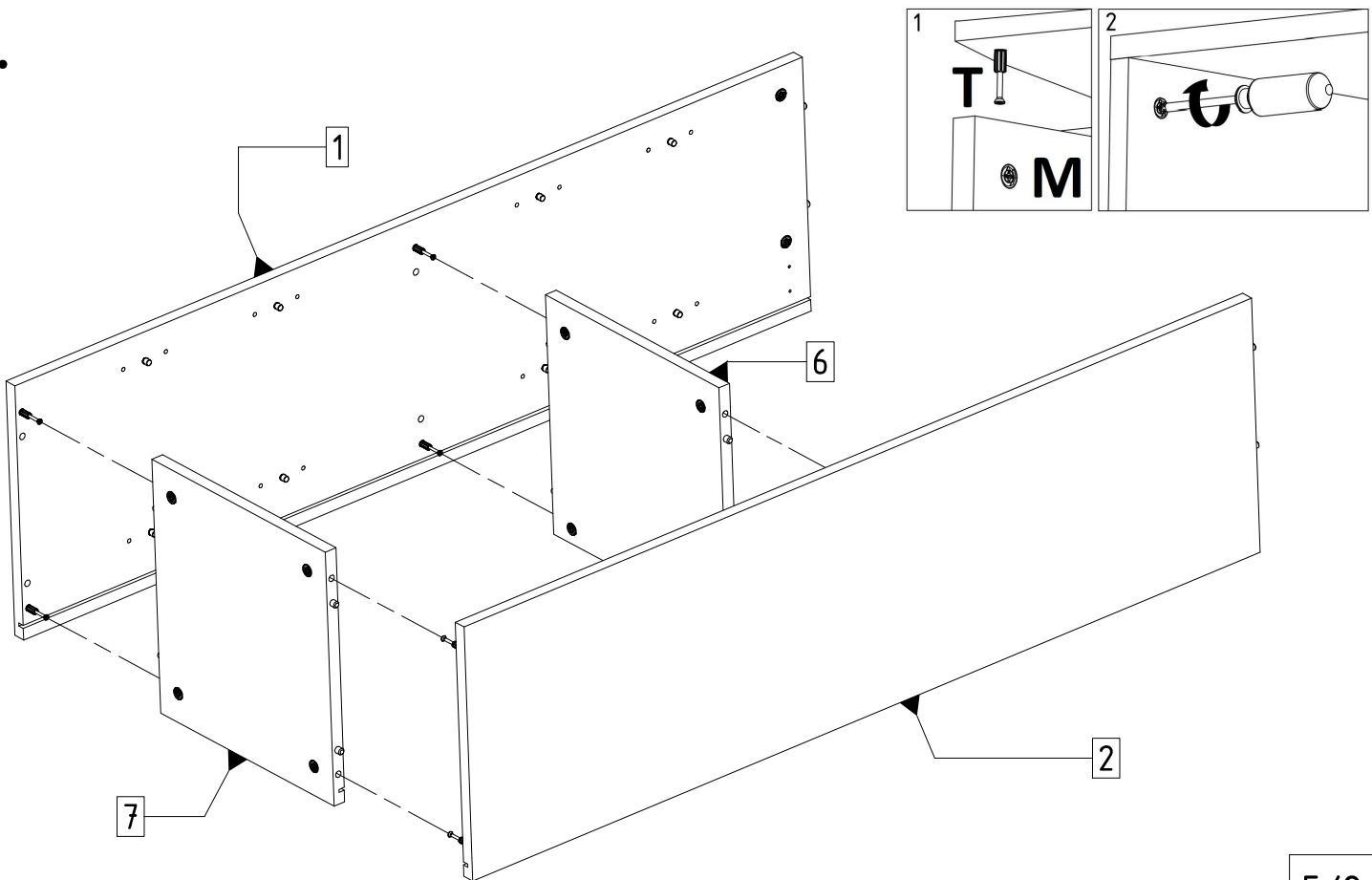
1.



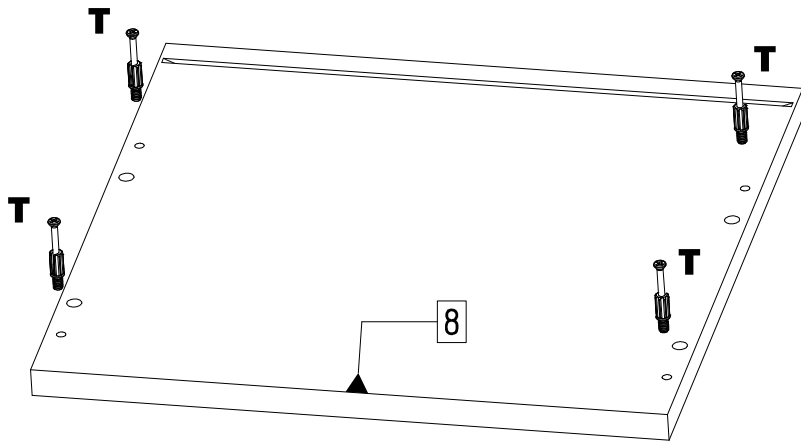
2.



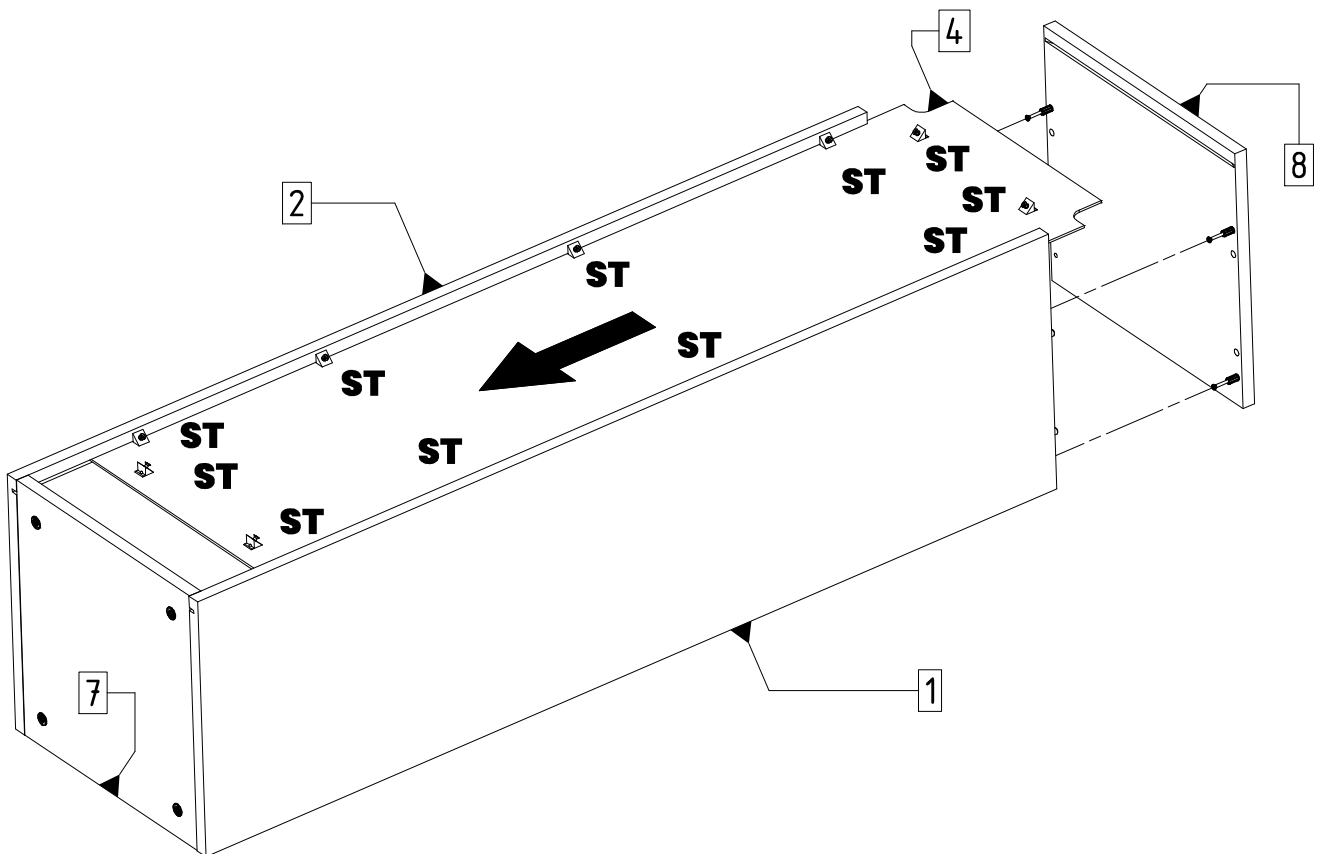
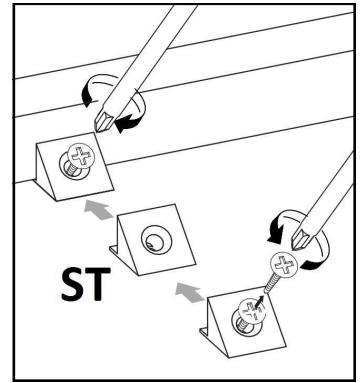
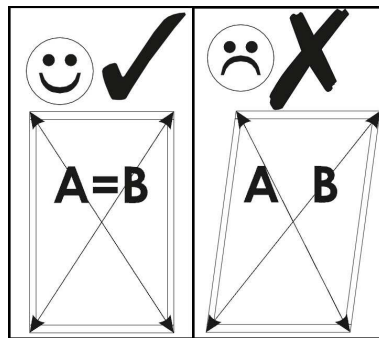
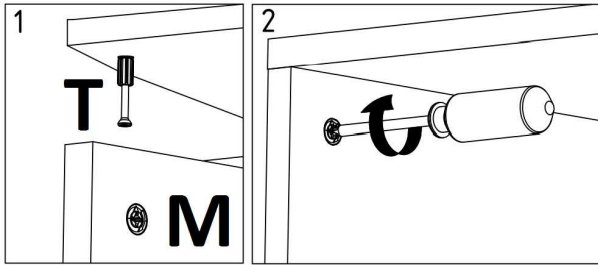
3.



4.

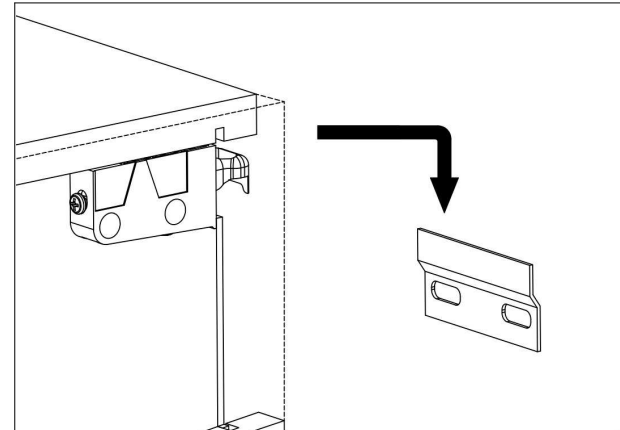
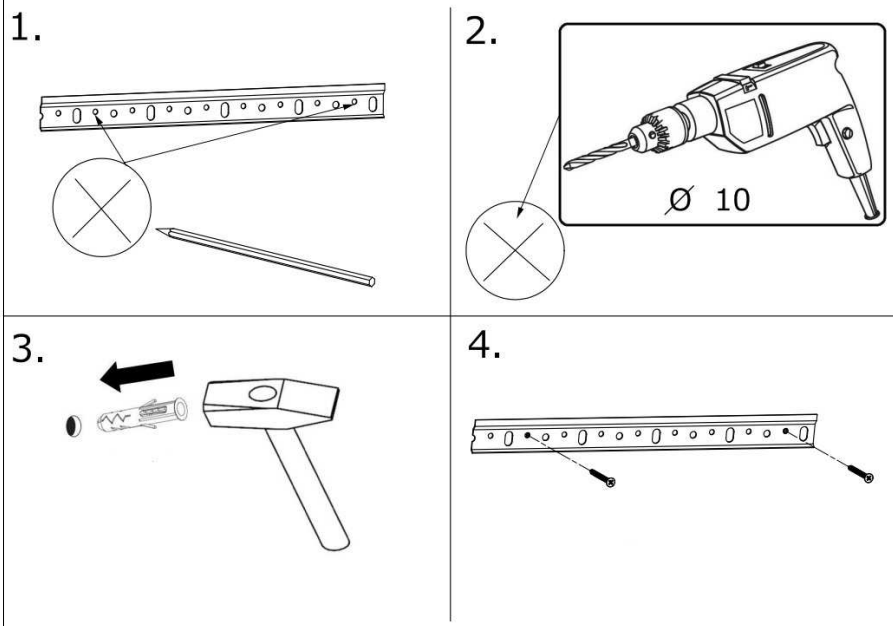
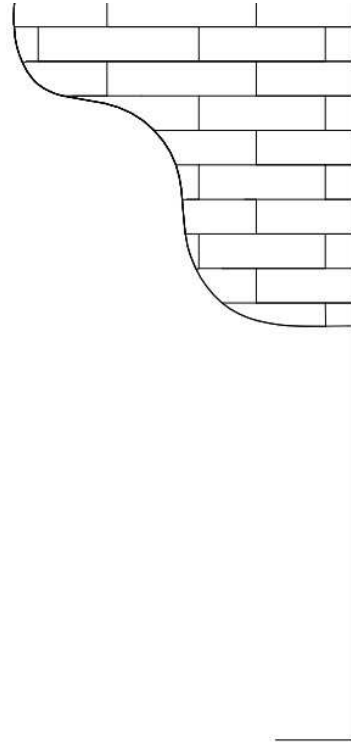
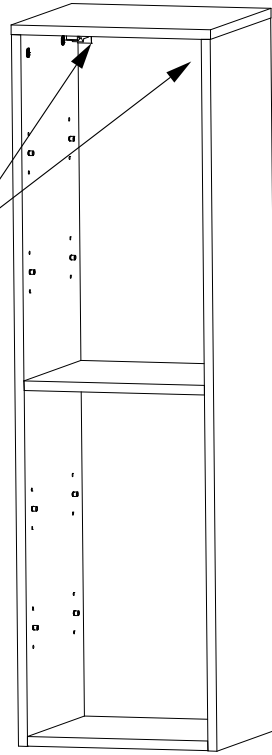
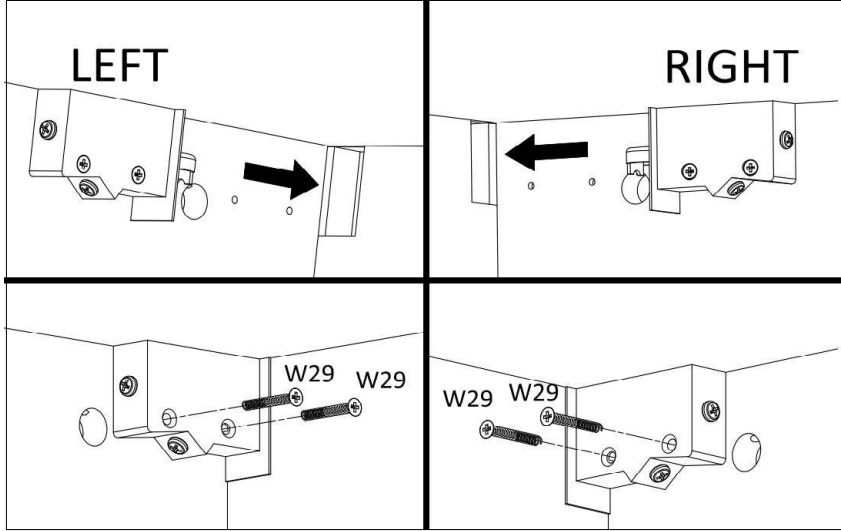


5.

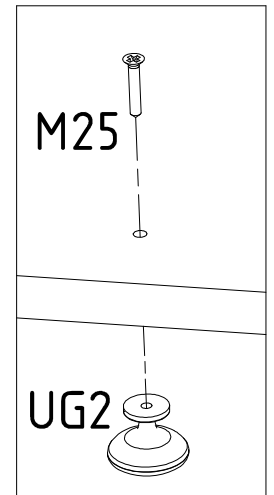
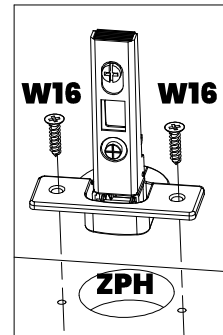
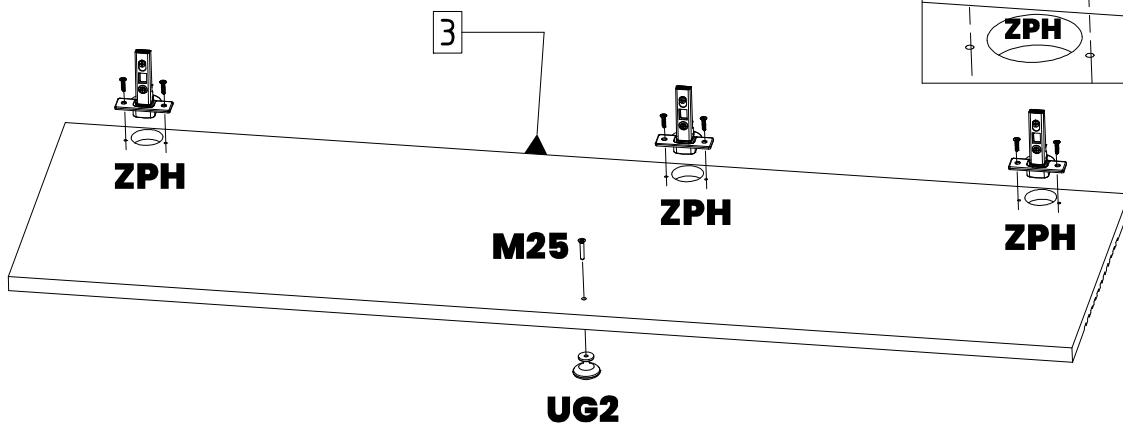




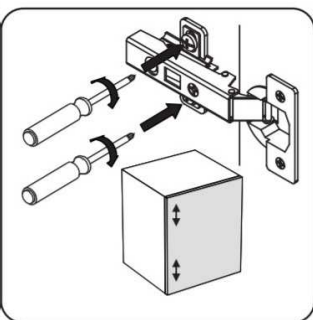
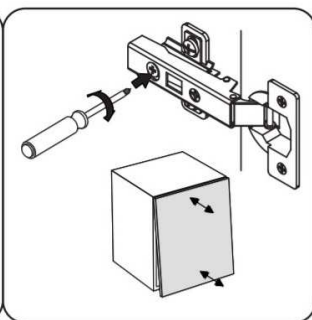
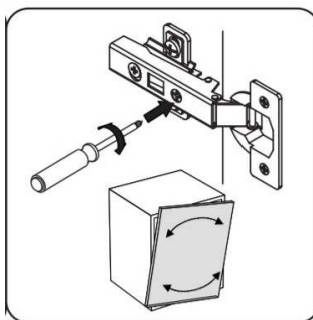
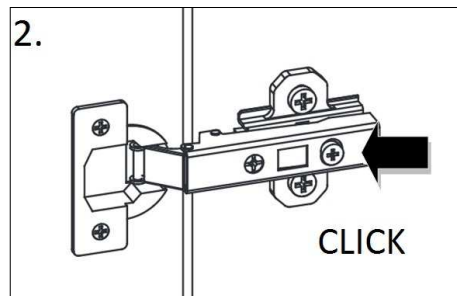
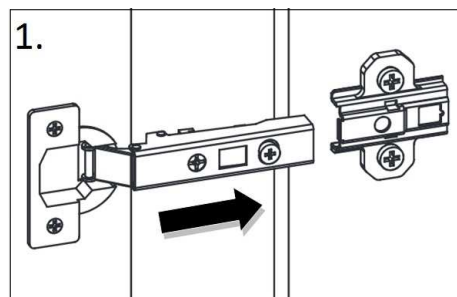
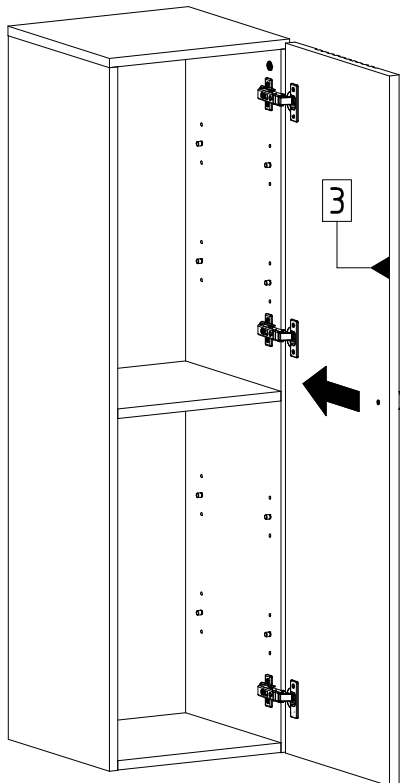
6.



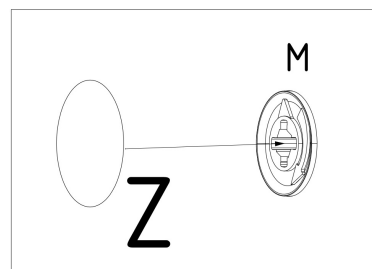
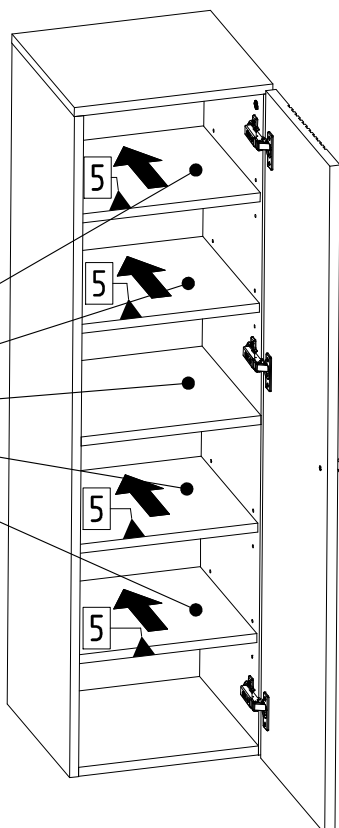
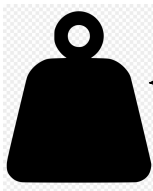
7.

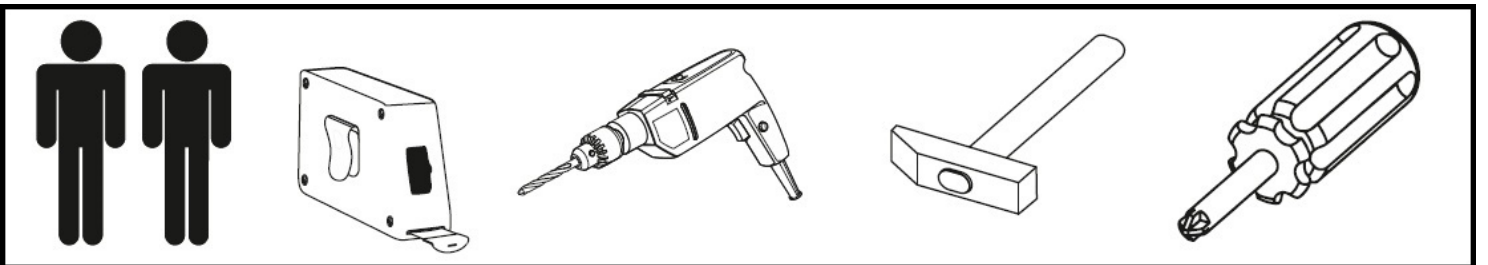
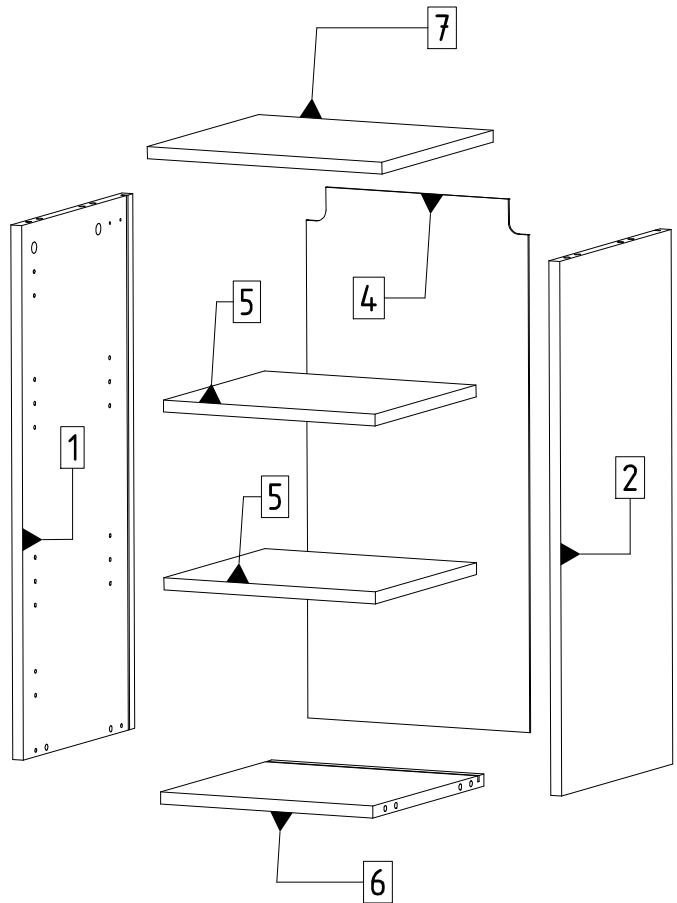
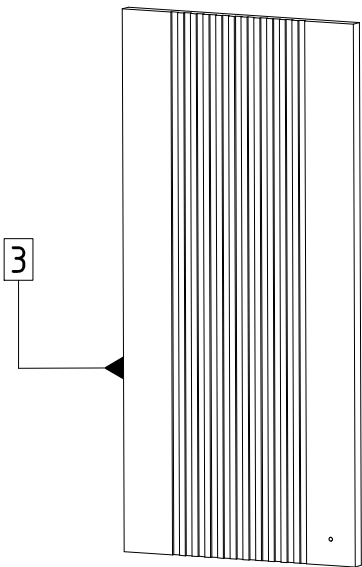
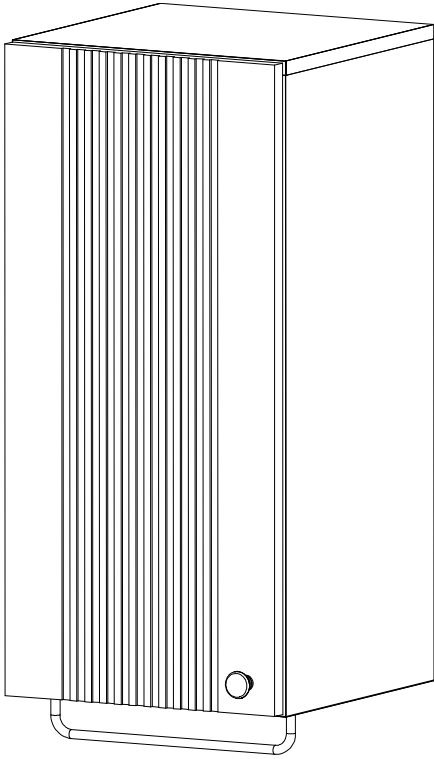


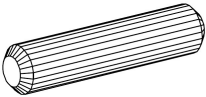

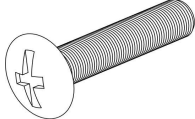
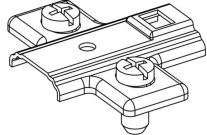
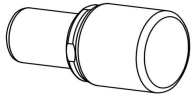
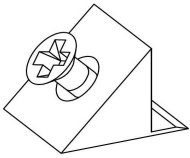
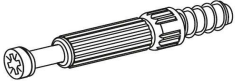


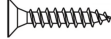
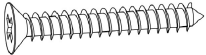
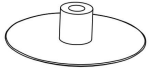
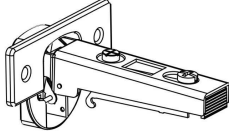
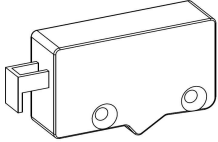
8.



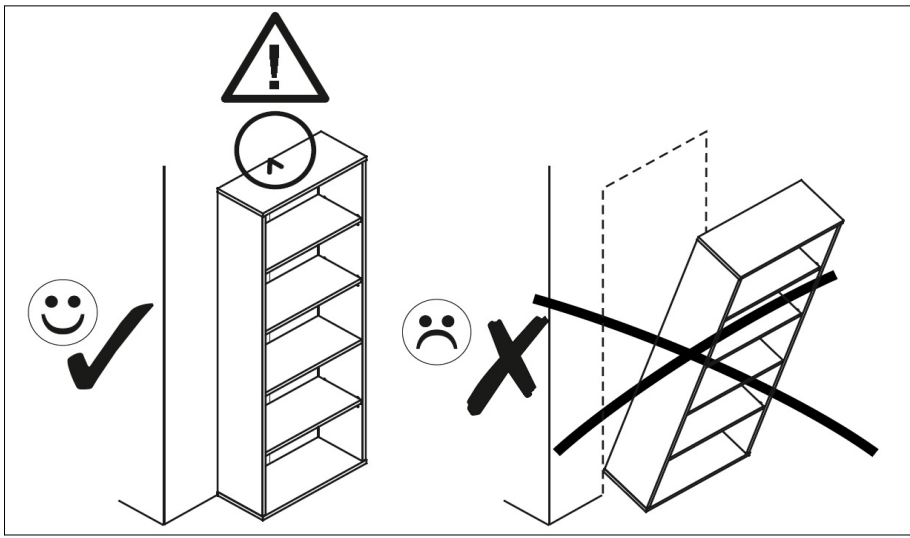
max.  
6 kg

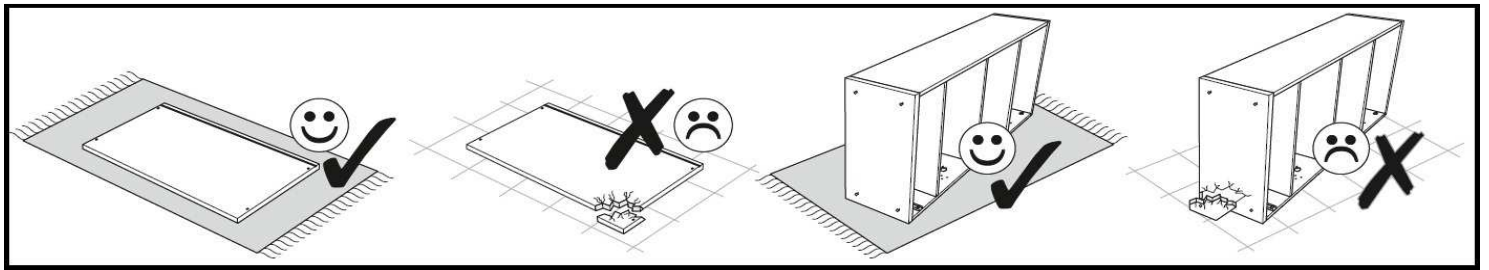




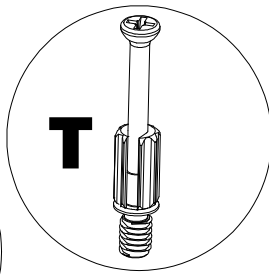
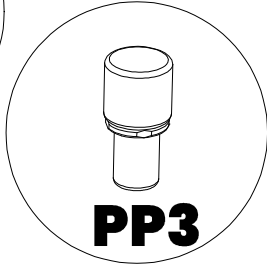
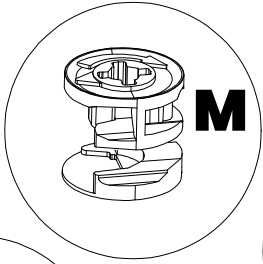
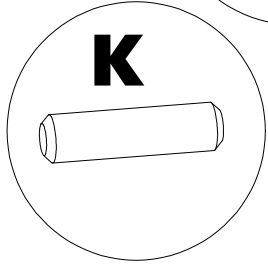
8 x 30  <b>K</b>	15 x 12  <b>M</b>	4 x 25  <b>M25</b>	 <b>PE</b>	 <b>PP3</b>
 <b>ST</b>	6 x 34 mm  <b>T</b>	 <b>UG2</b>	 <b>UNR</b>	4 x 16  <b>W16</b>
4 x 30 mm  <b>W29</b>	 <b>Z</b>	 <b>ZPH</b>	 <b>ZR</b>	

BL [1]	332	714	1	K	8
BP [2]	332	714	1	M	8
FT [3]	341	725	1	M25	1
PC [4]	711	327	1	PE	2
PK [5]	312	302	2	PP3	8
WD [6]	332	313	1	ST	10
WG [7]	346	332	1	T	8
				UG2	1
				UNR	1
				W16	8
				W29	4
				Z	8
				ZPH	2
				ZR	2

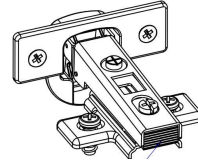




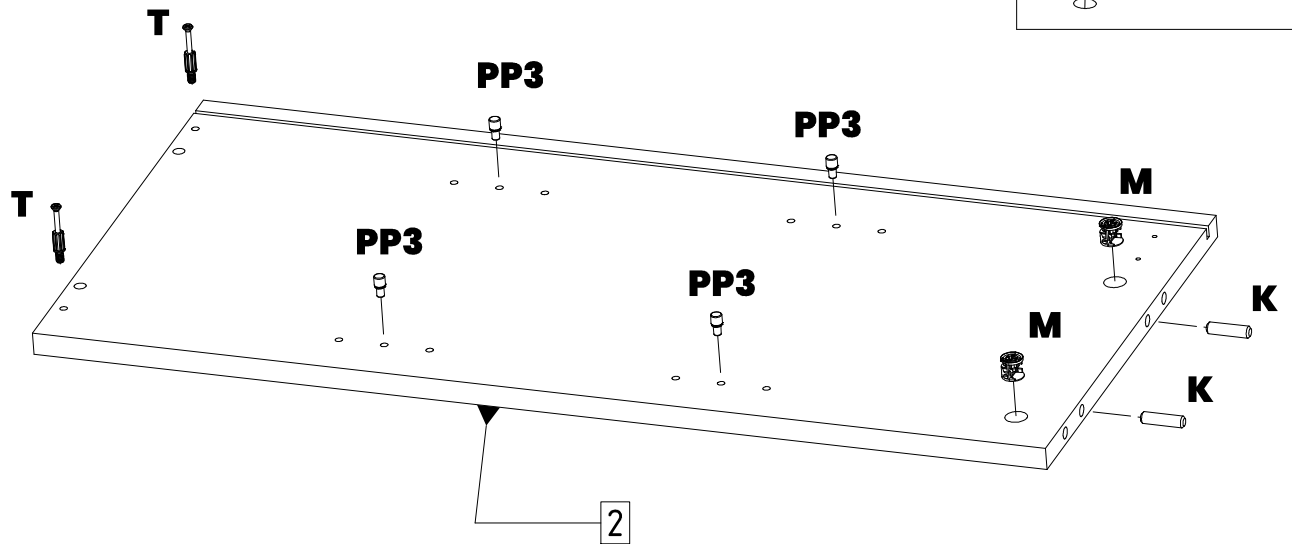
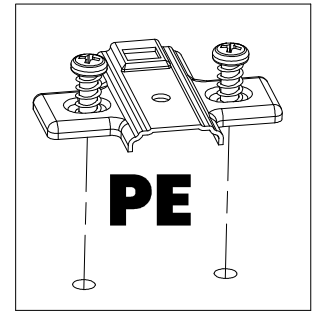
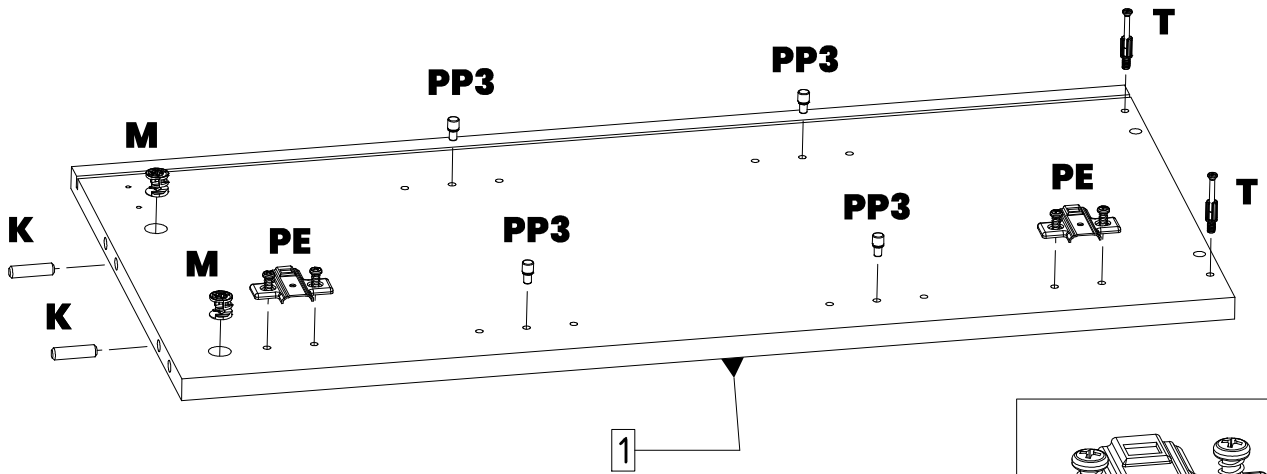
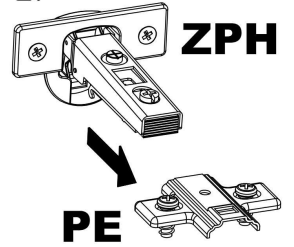
1.



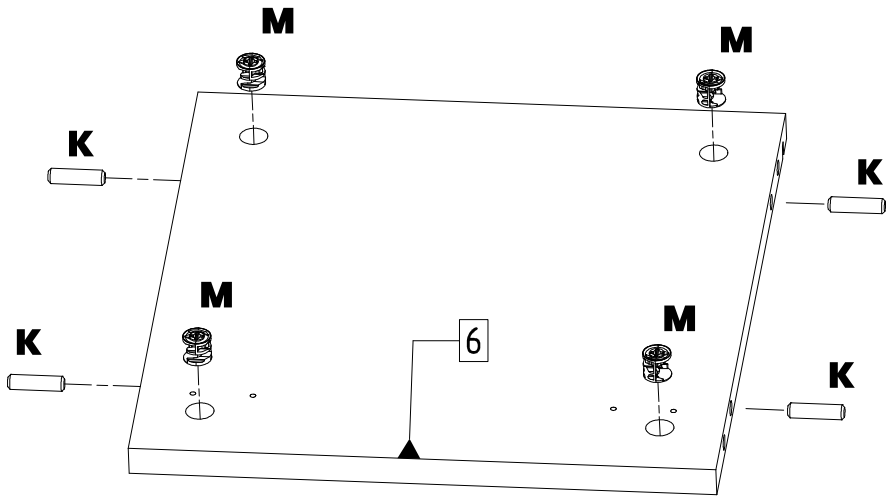
1.



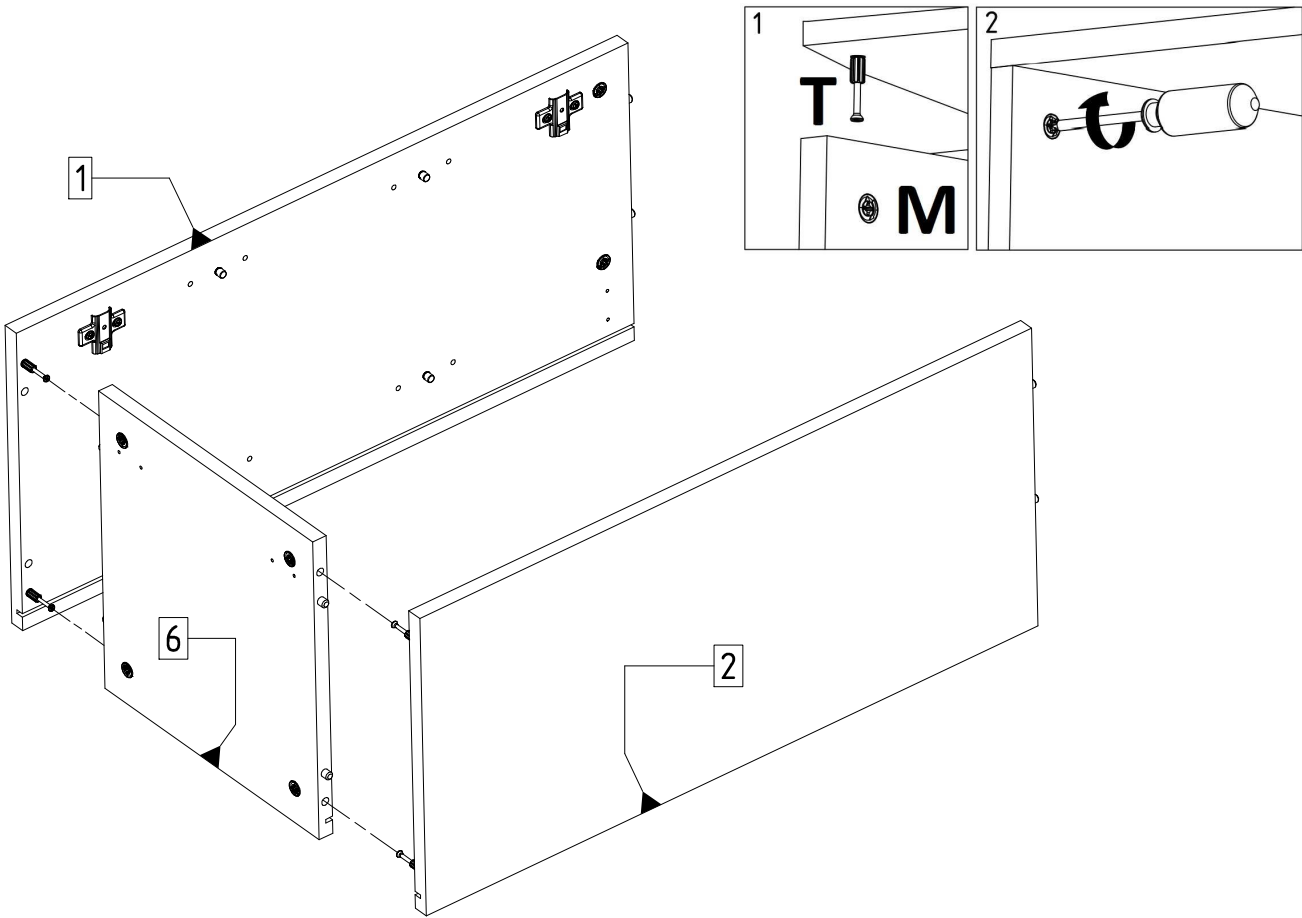
2.



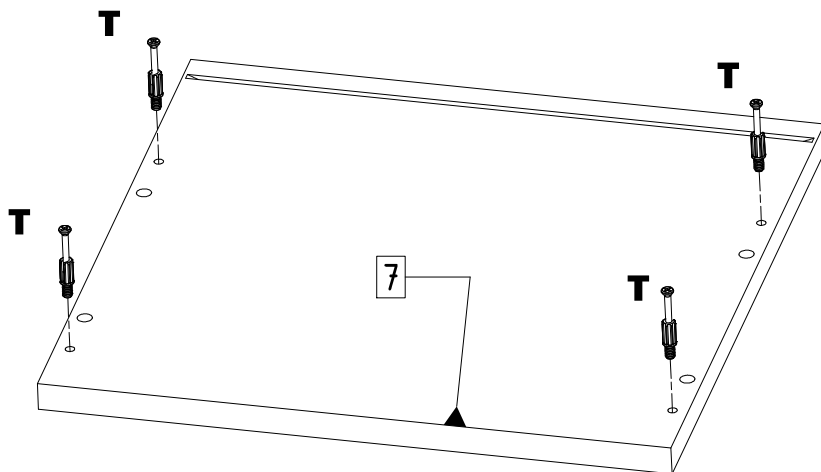
2.



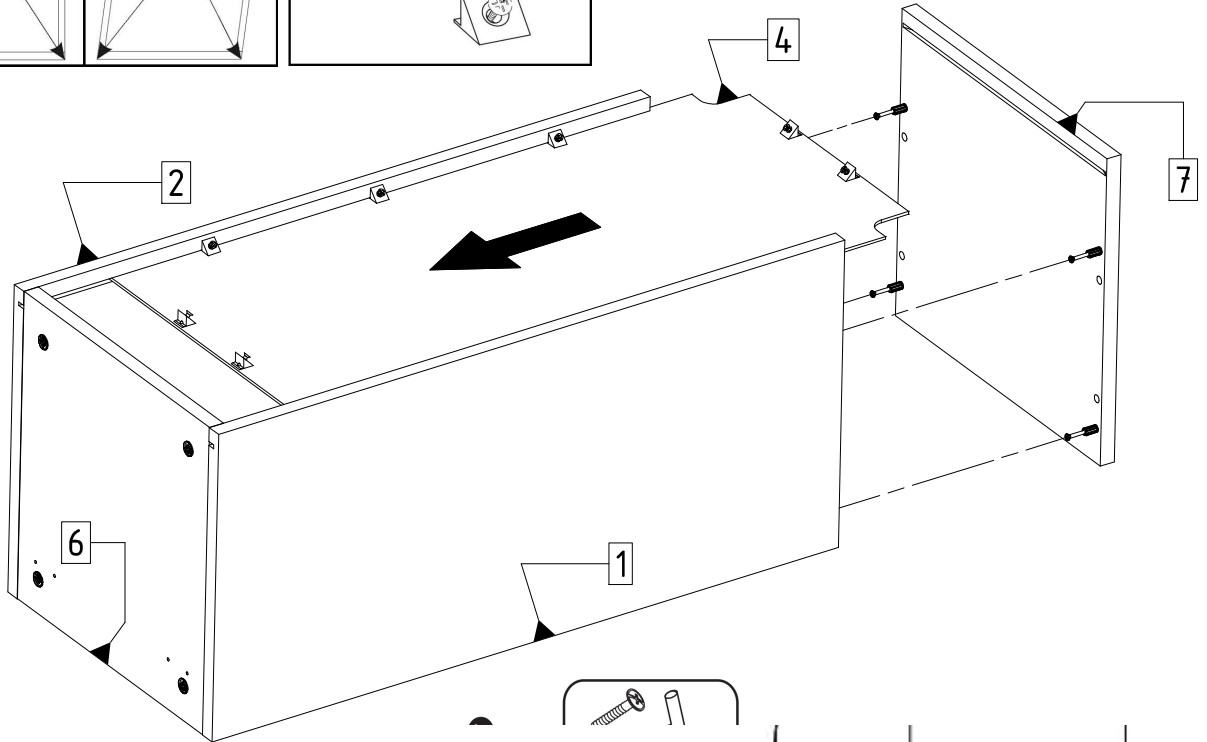
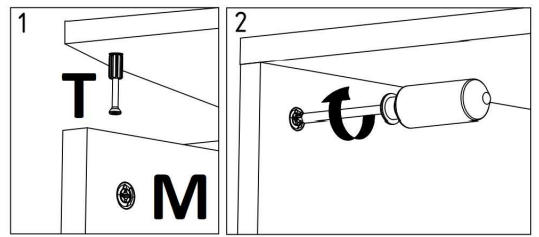
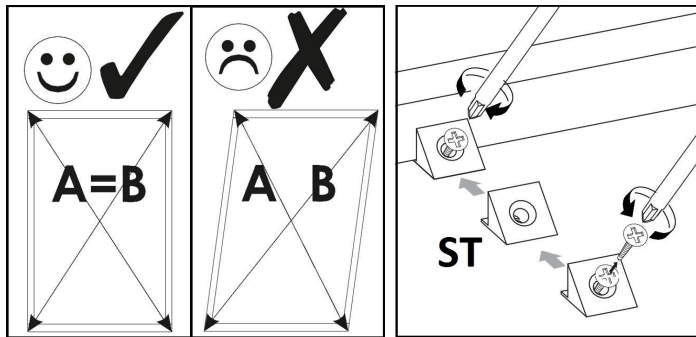
3.



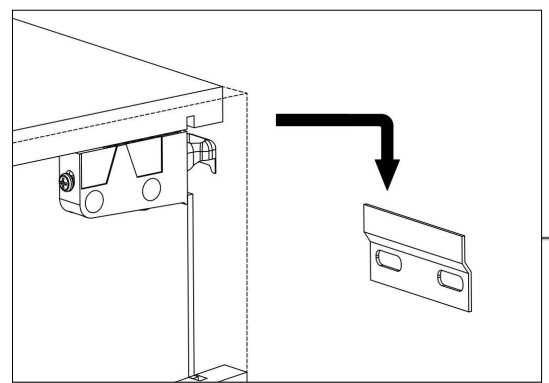
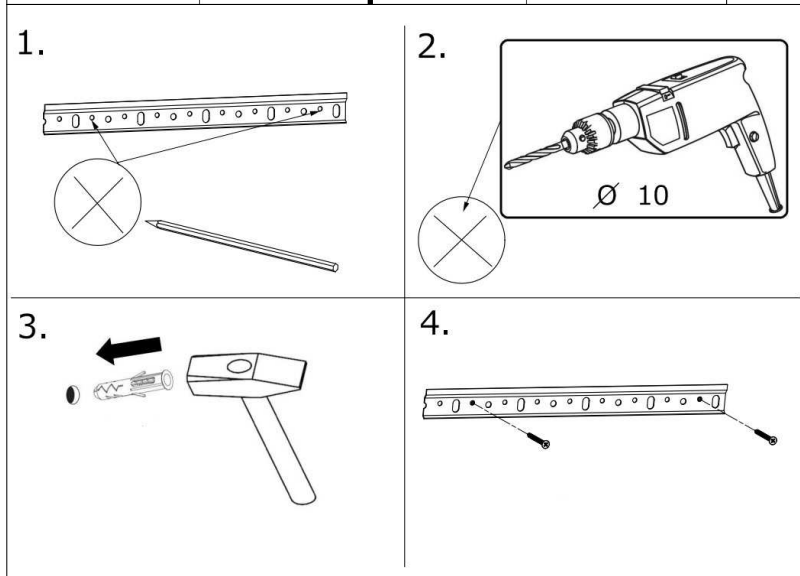
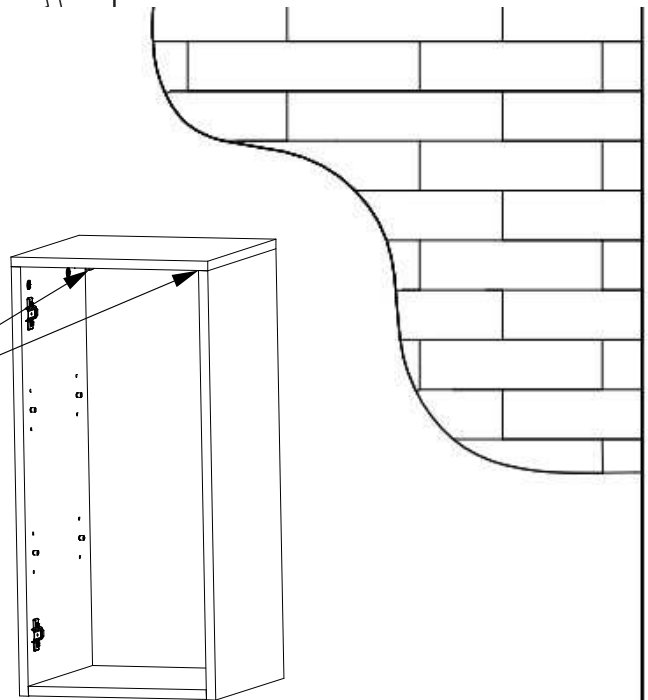
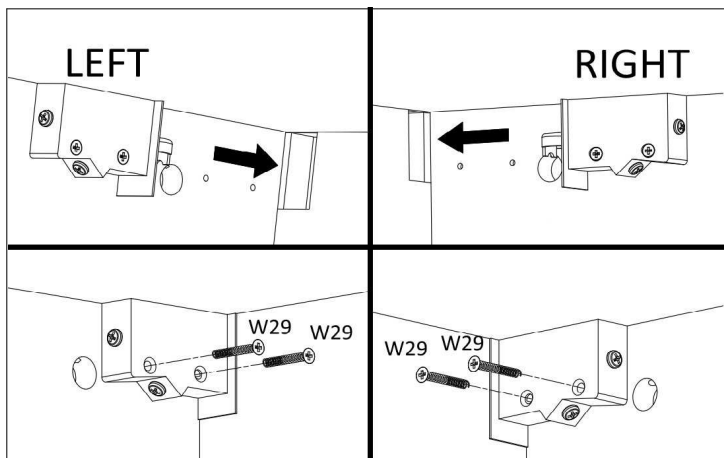
4.



5.

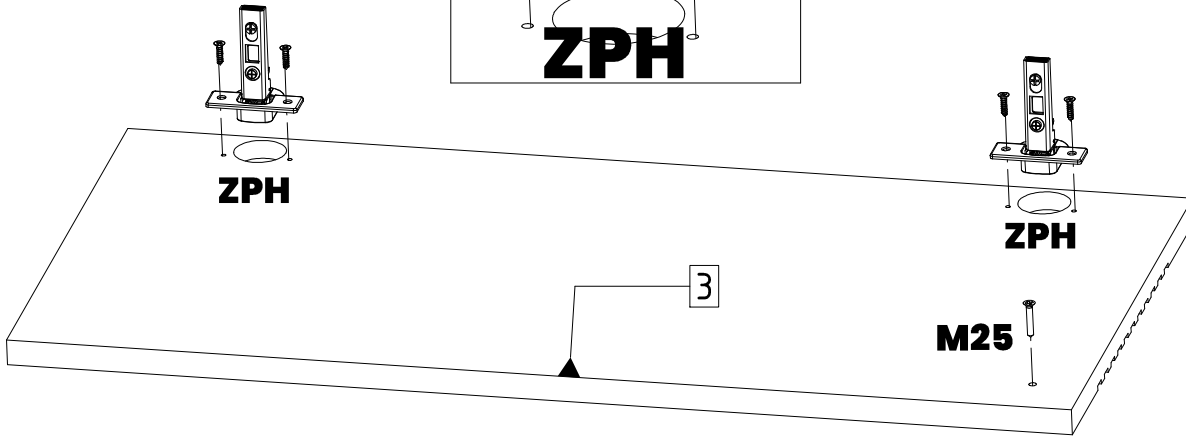
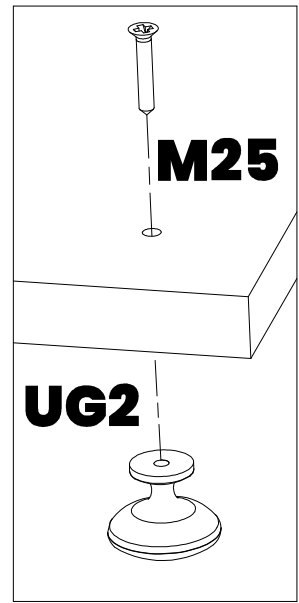
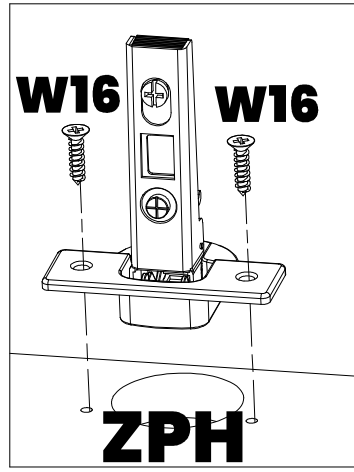


6.





7.



UG2 

8.

