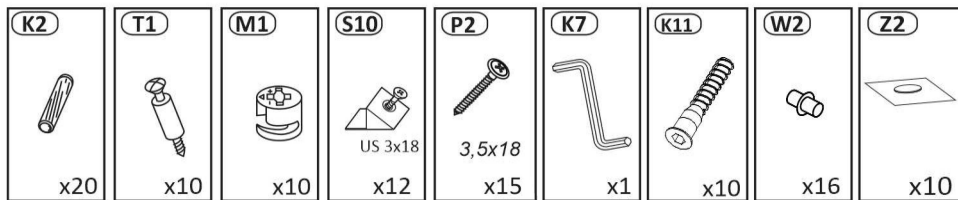
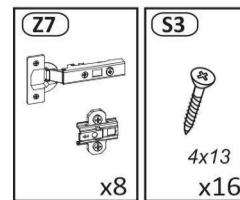


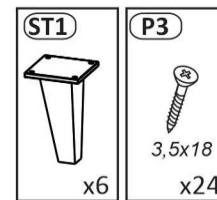
1



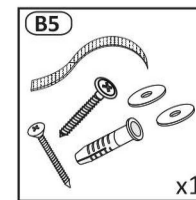
2



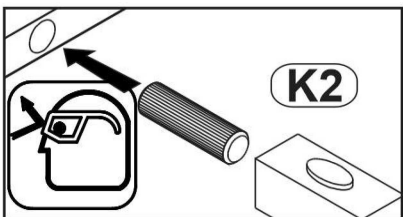
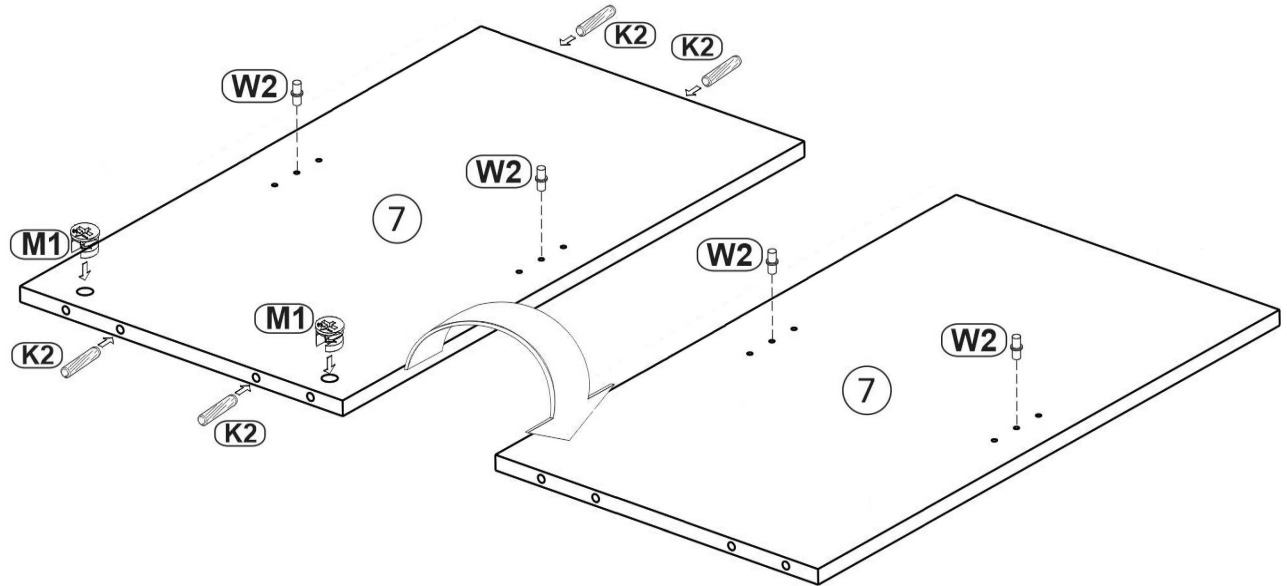
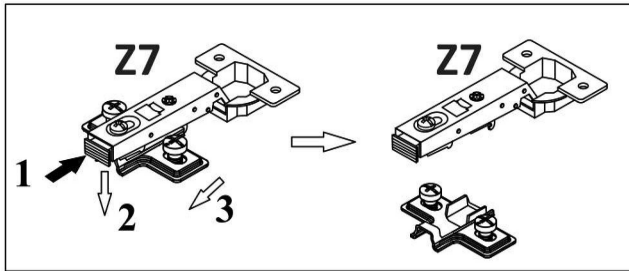
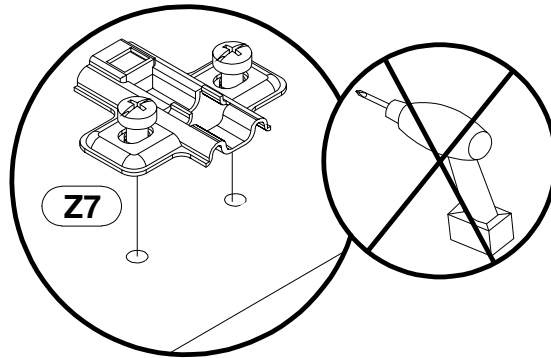
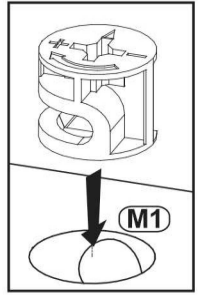
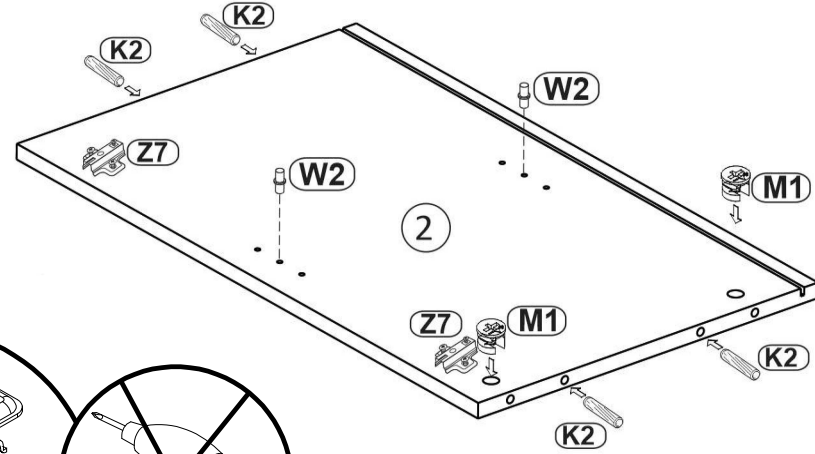
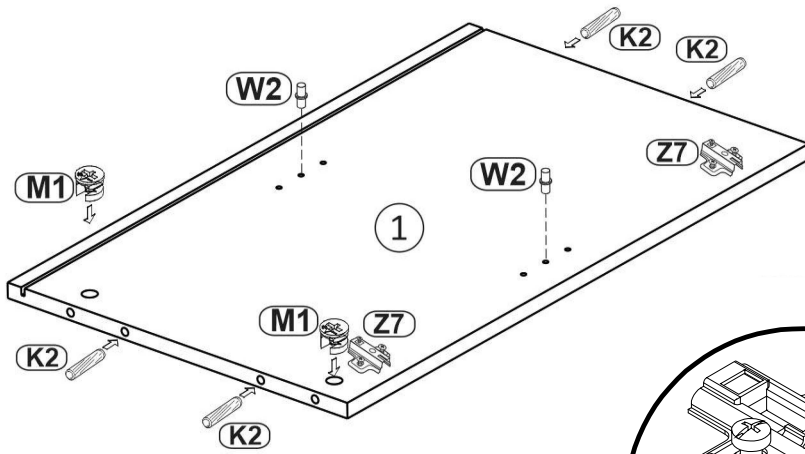
3



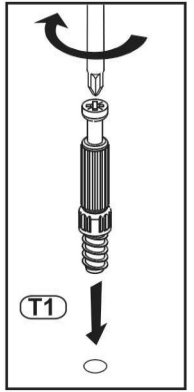
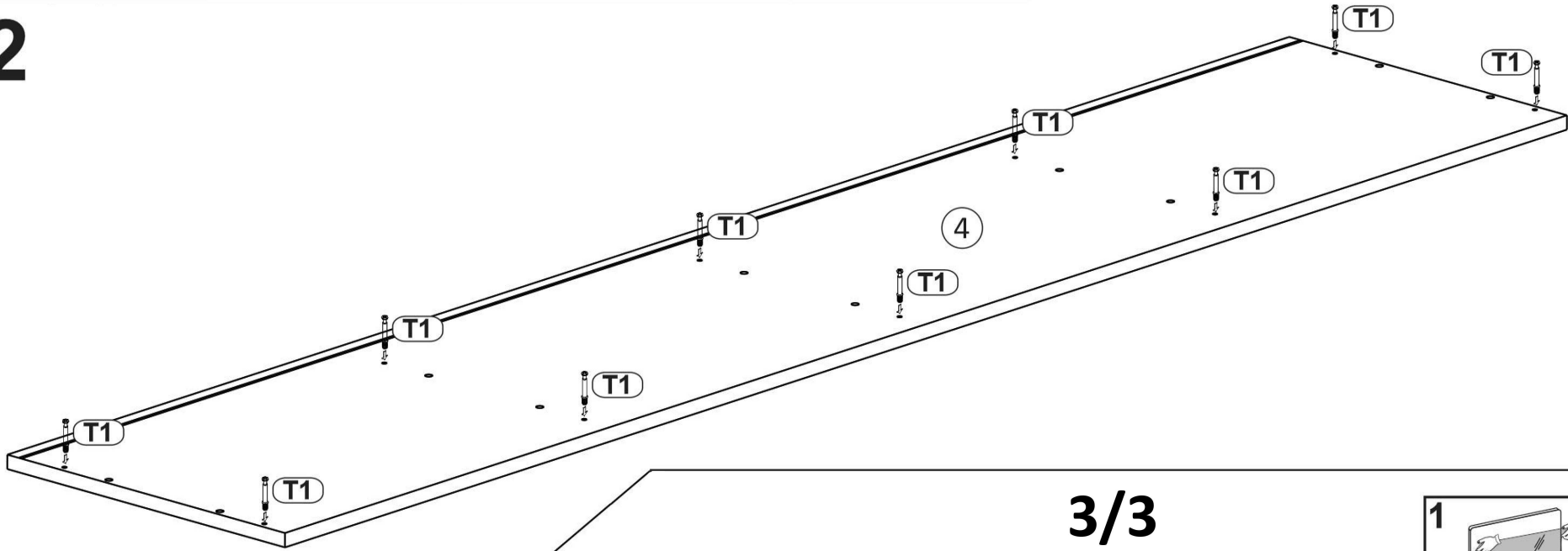
4



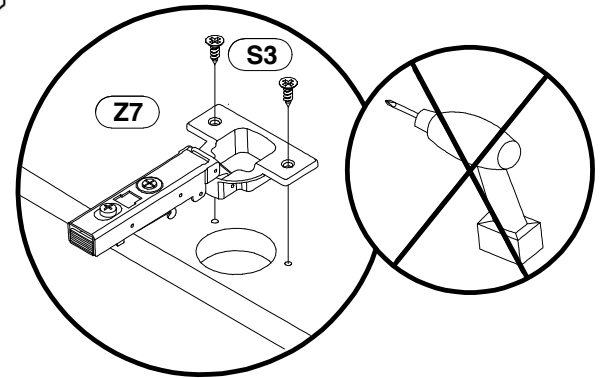
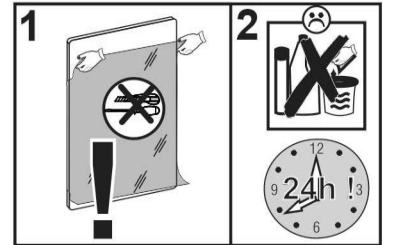
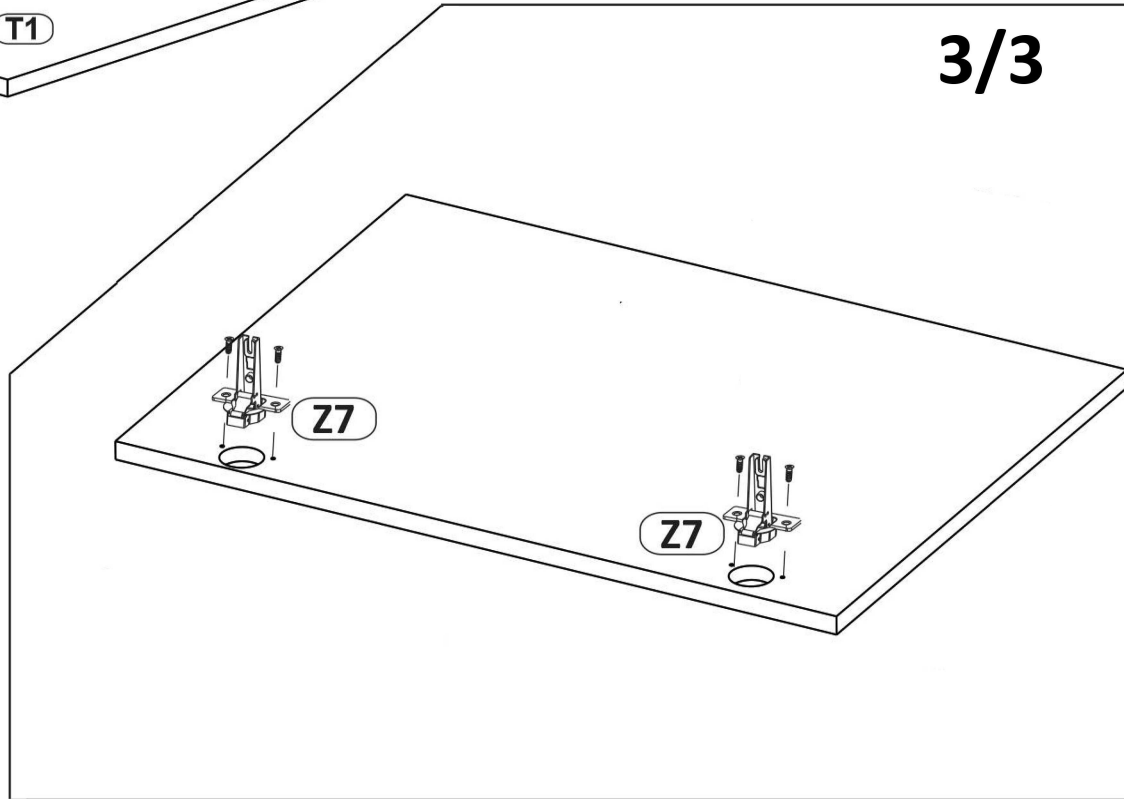
# 1



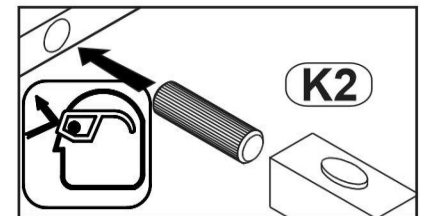
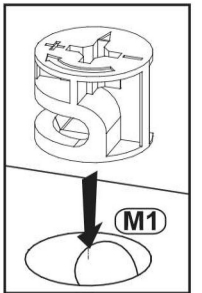
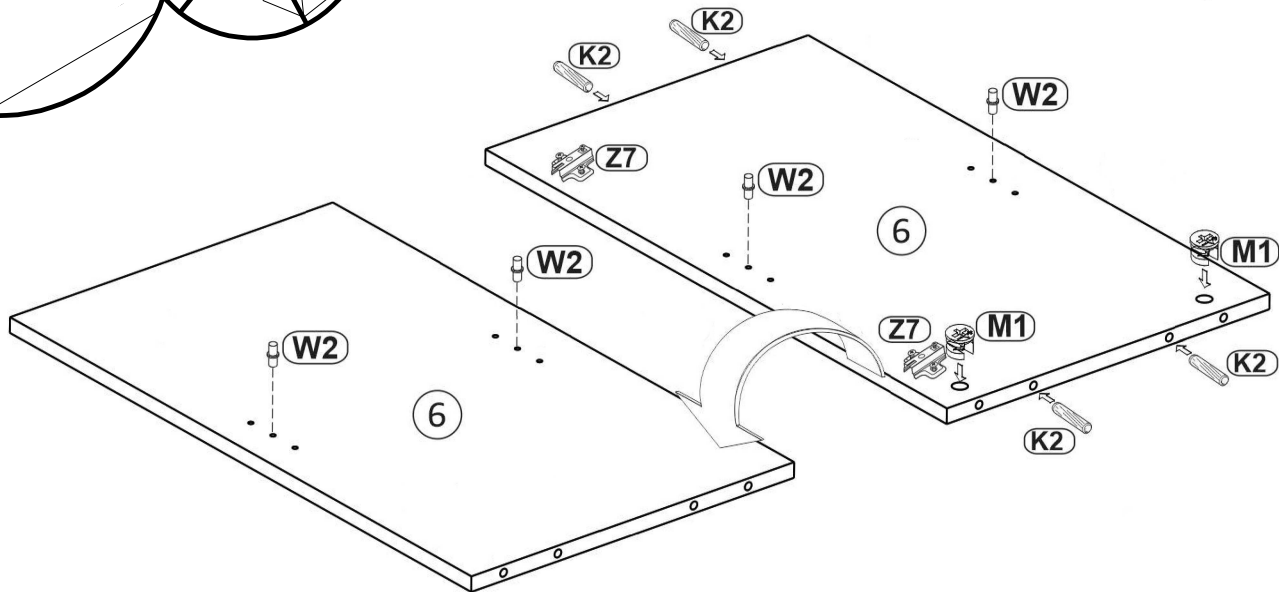
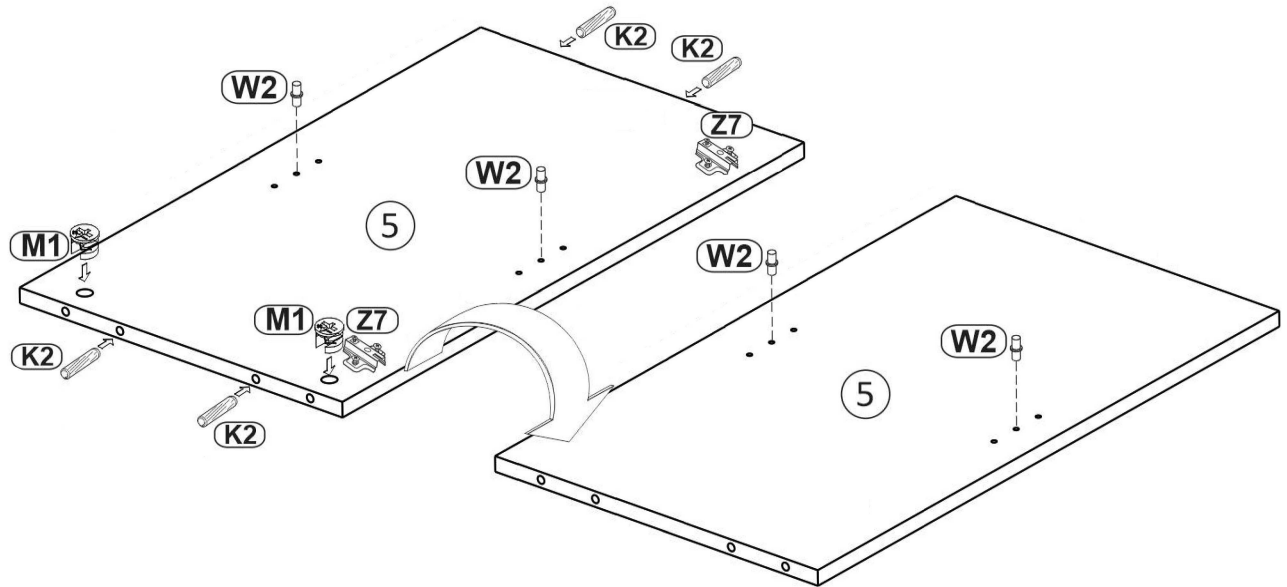
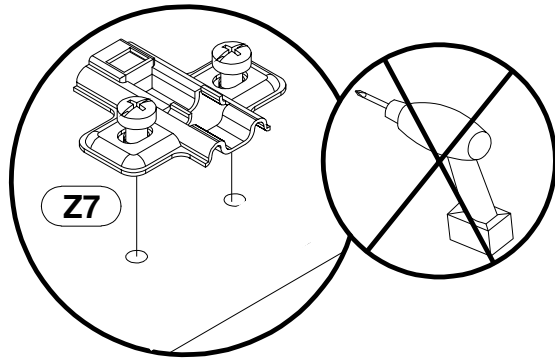
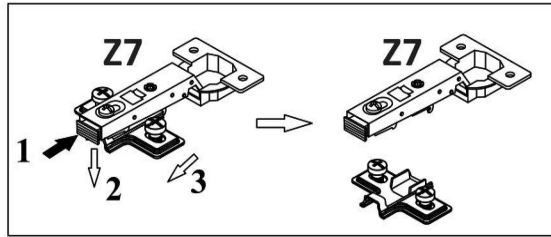
2



3/3

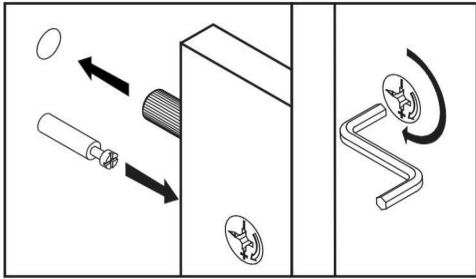
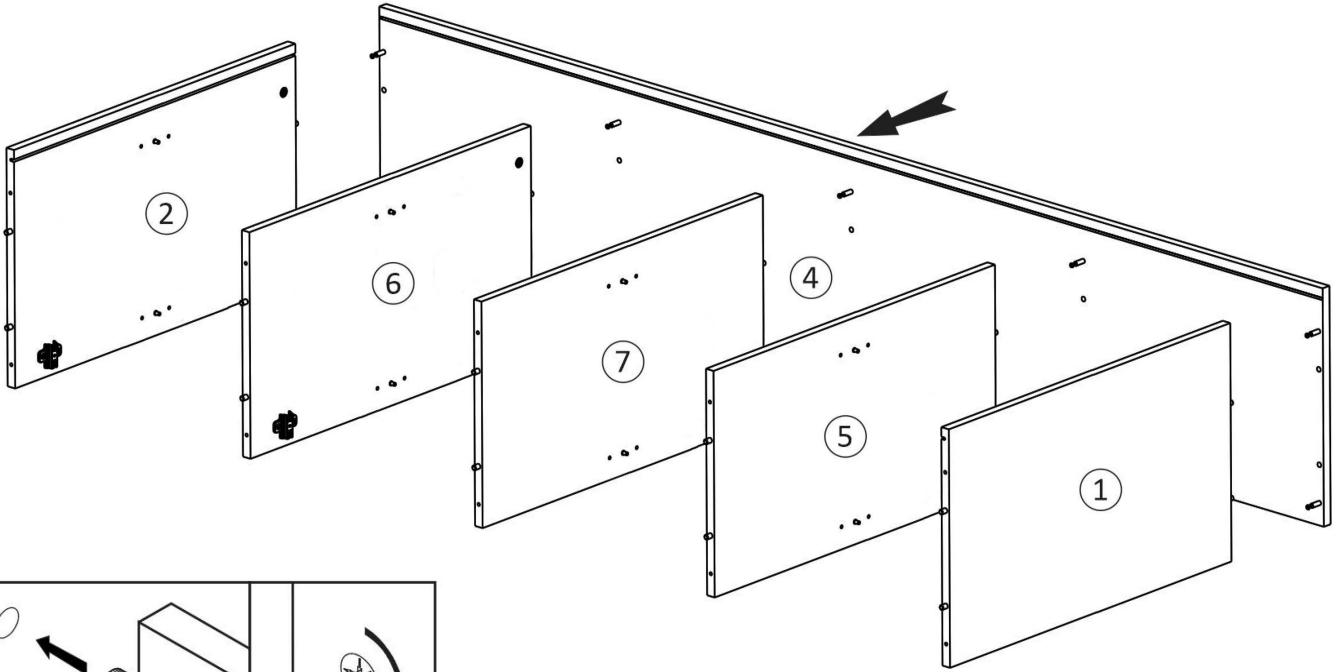


# 3

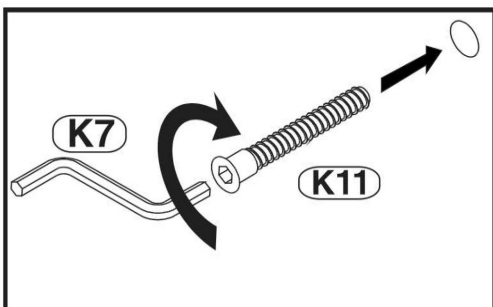
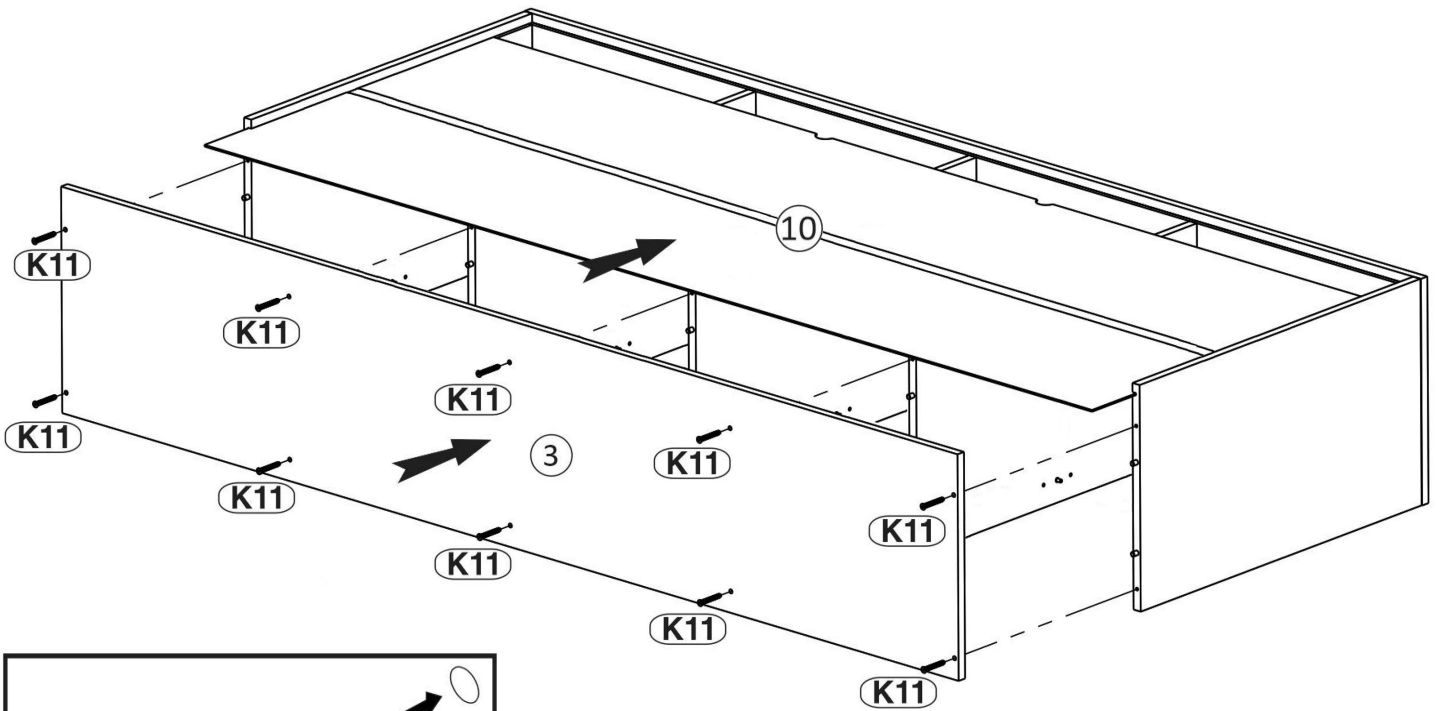




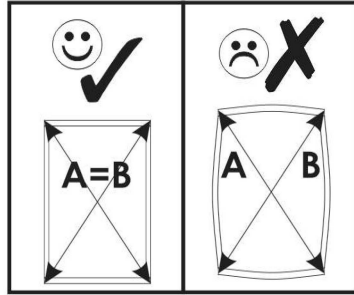
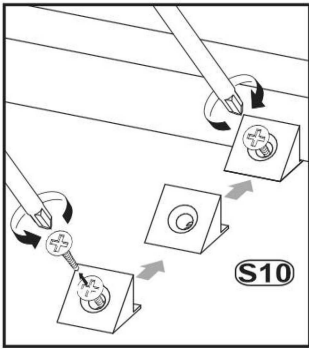
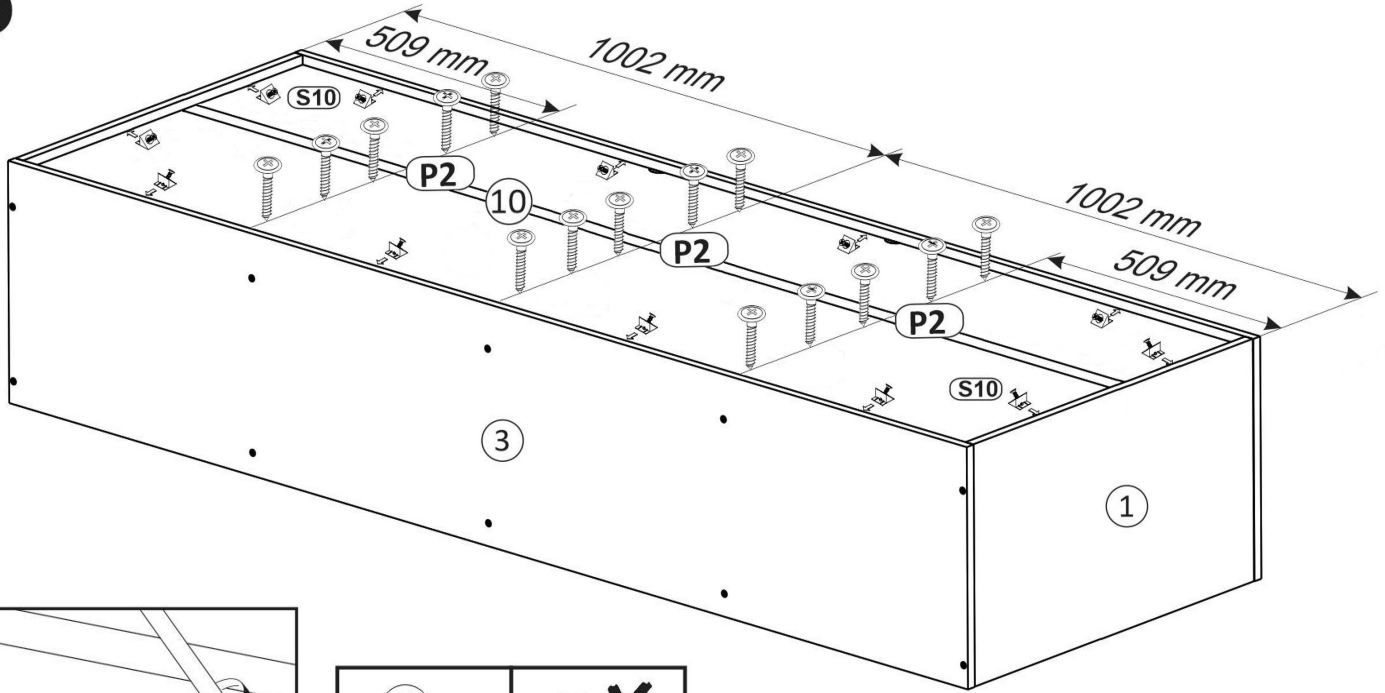
# 4



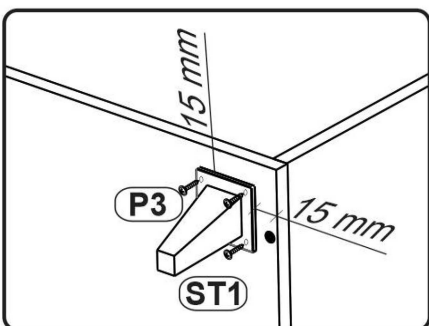
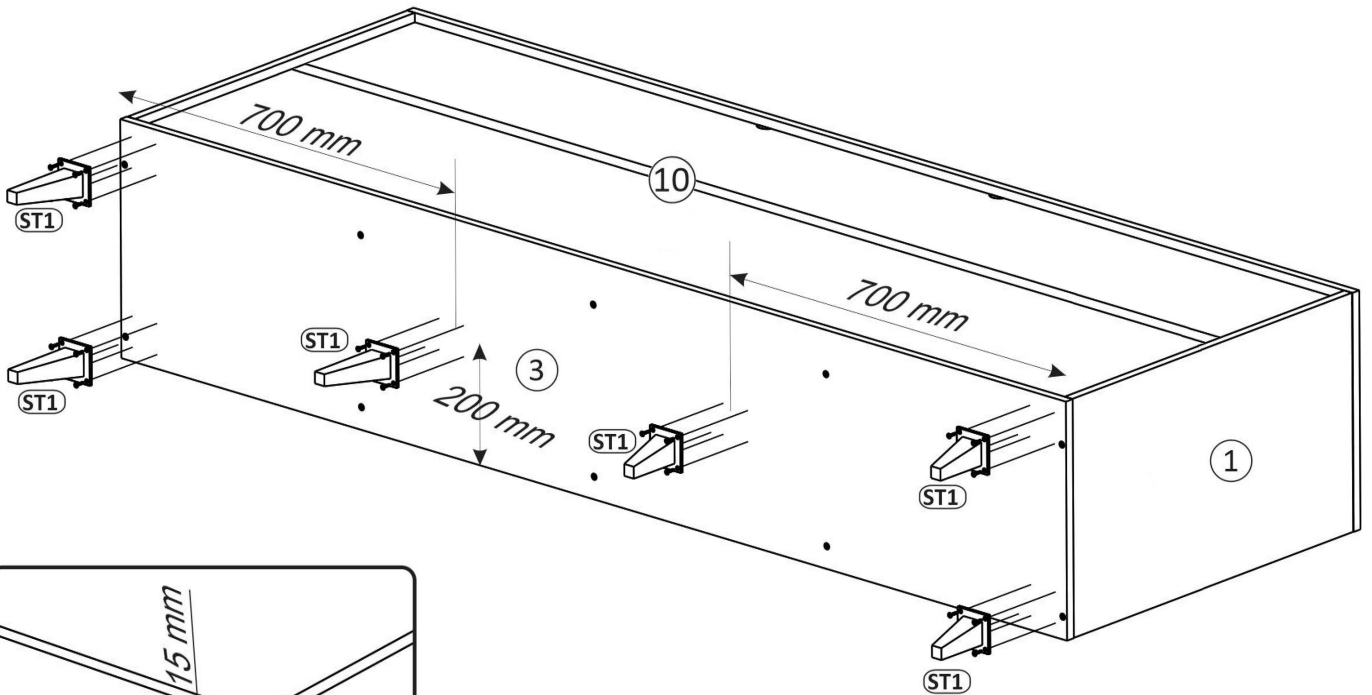
# 5



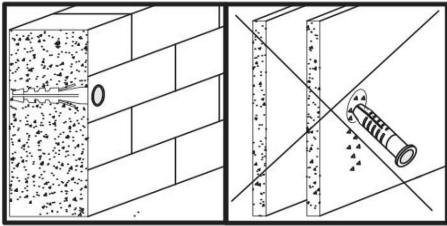
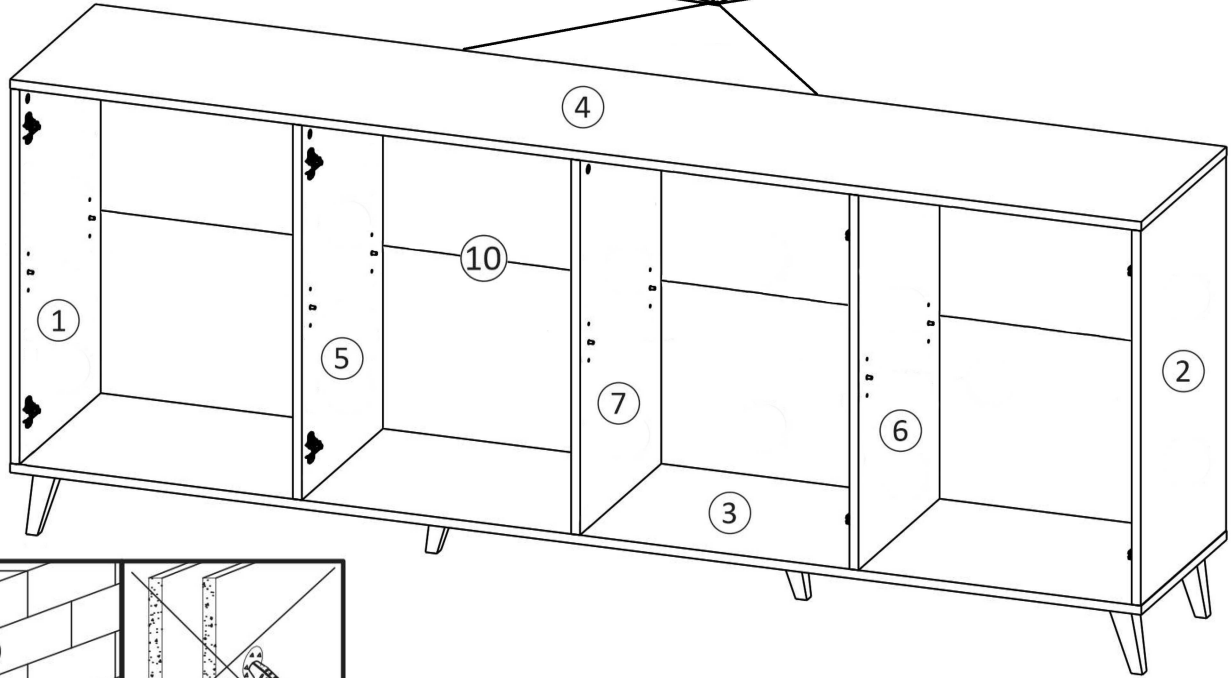
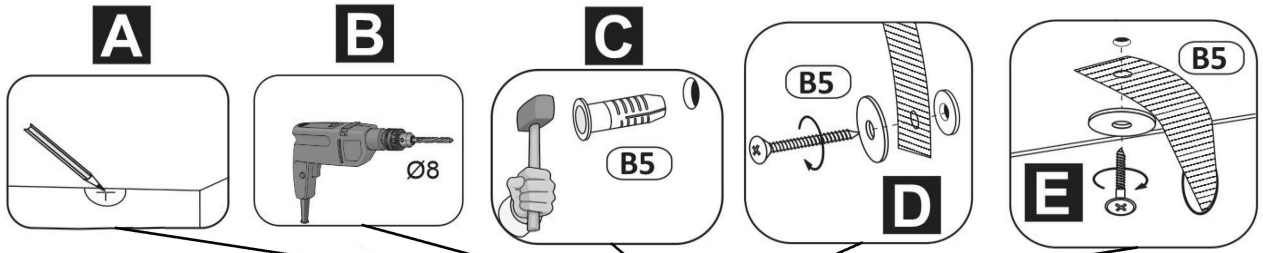
# 6



# 7

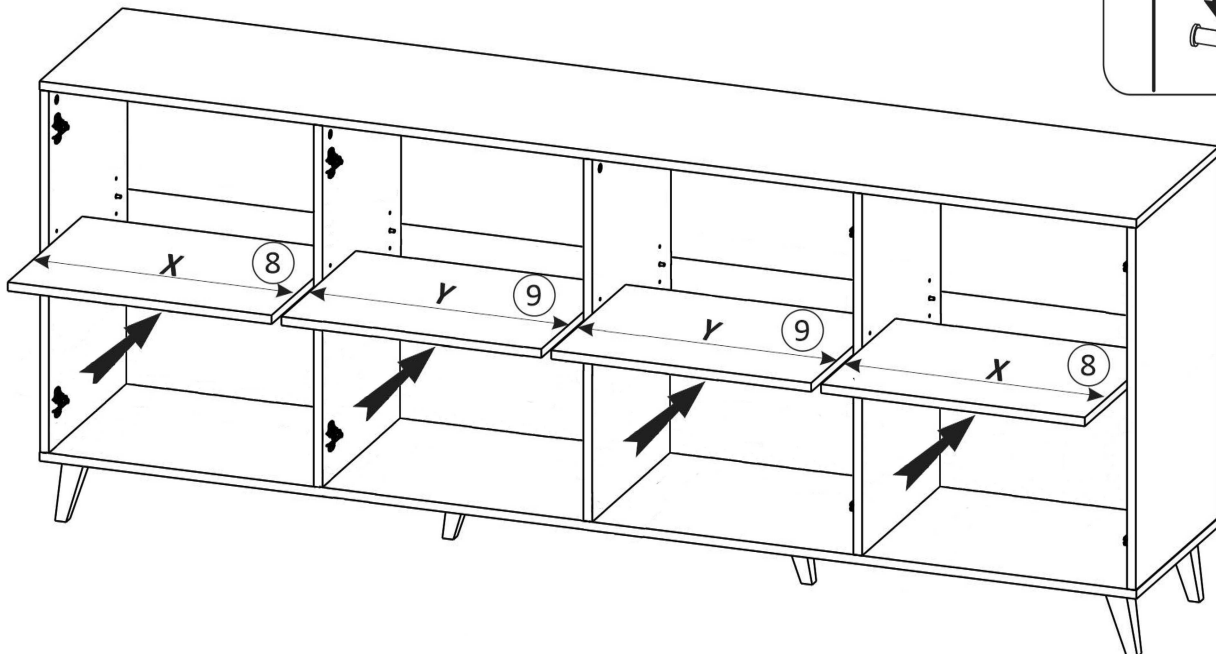
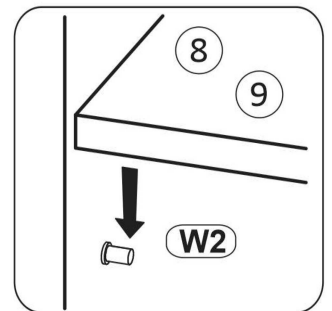


8

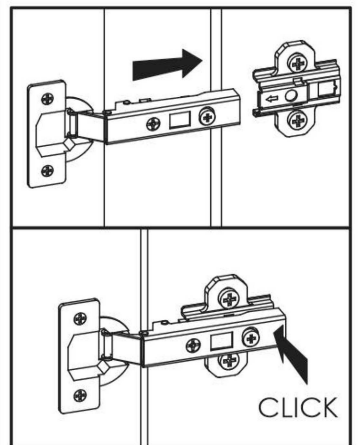
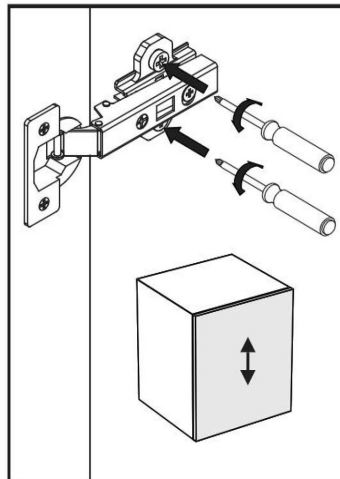
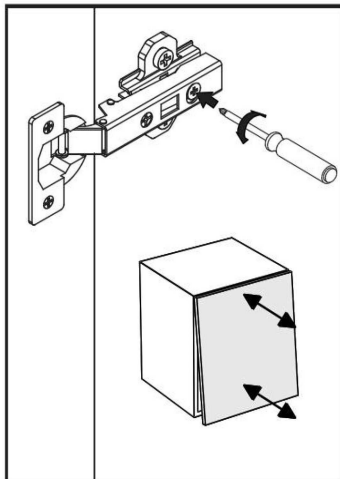
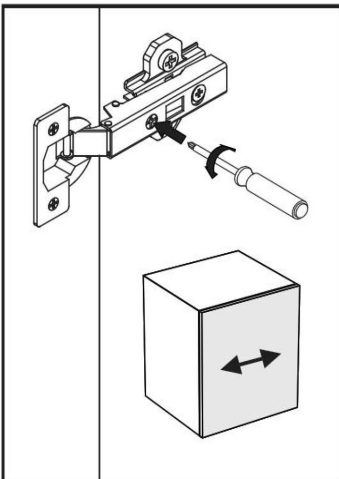
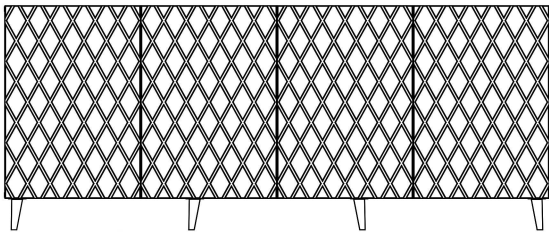
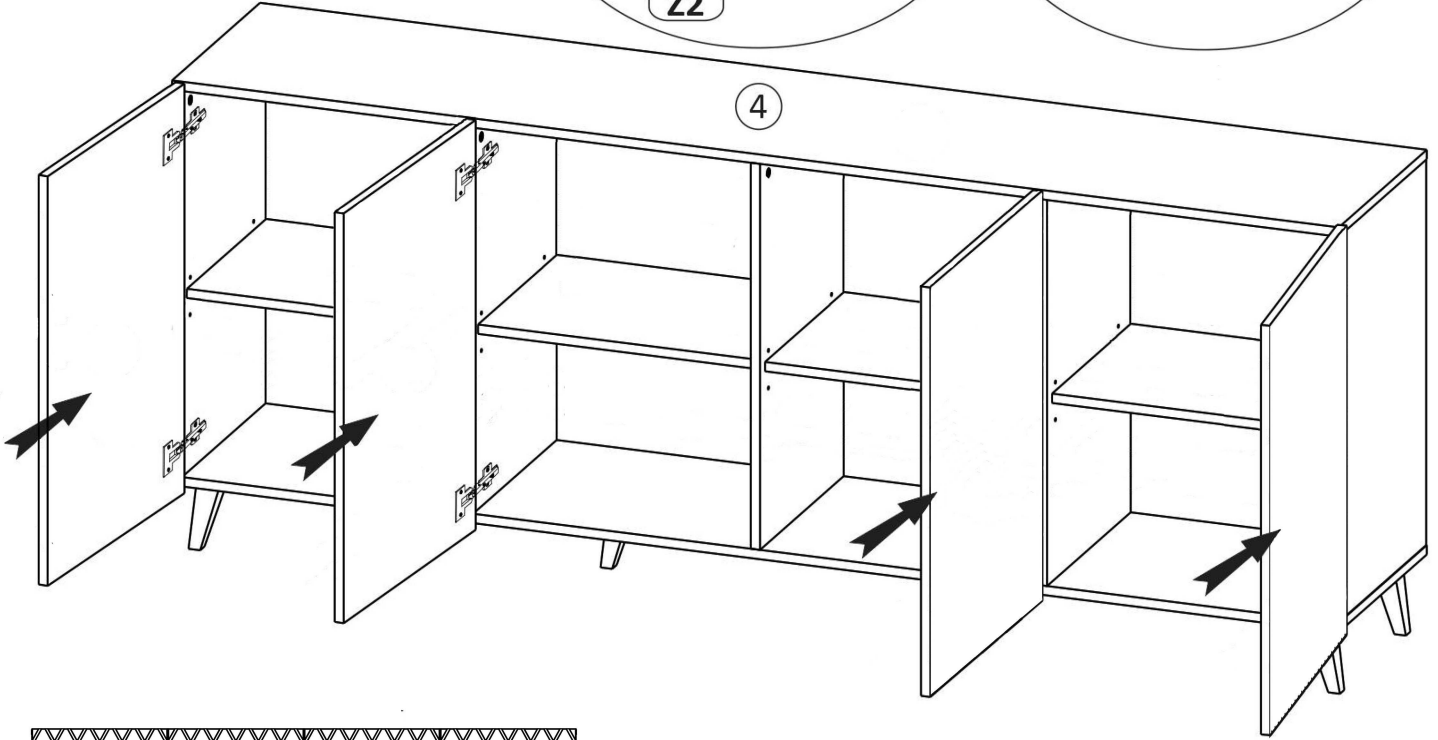
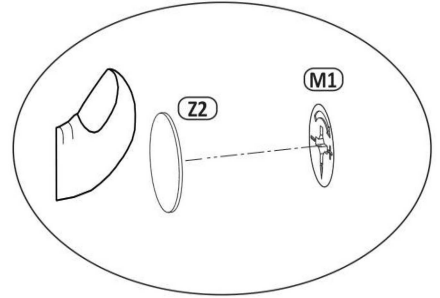
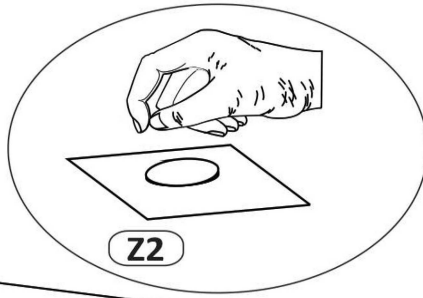


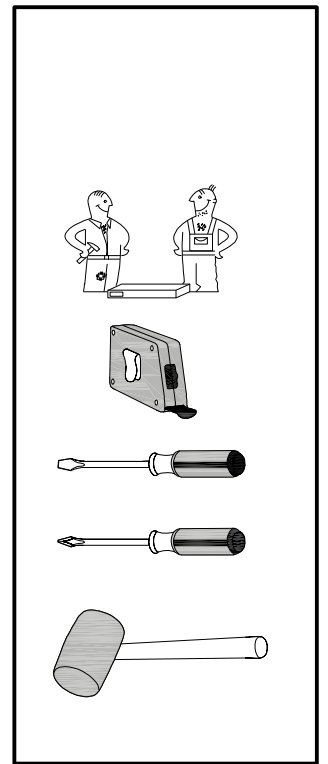
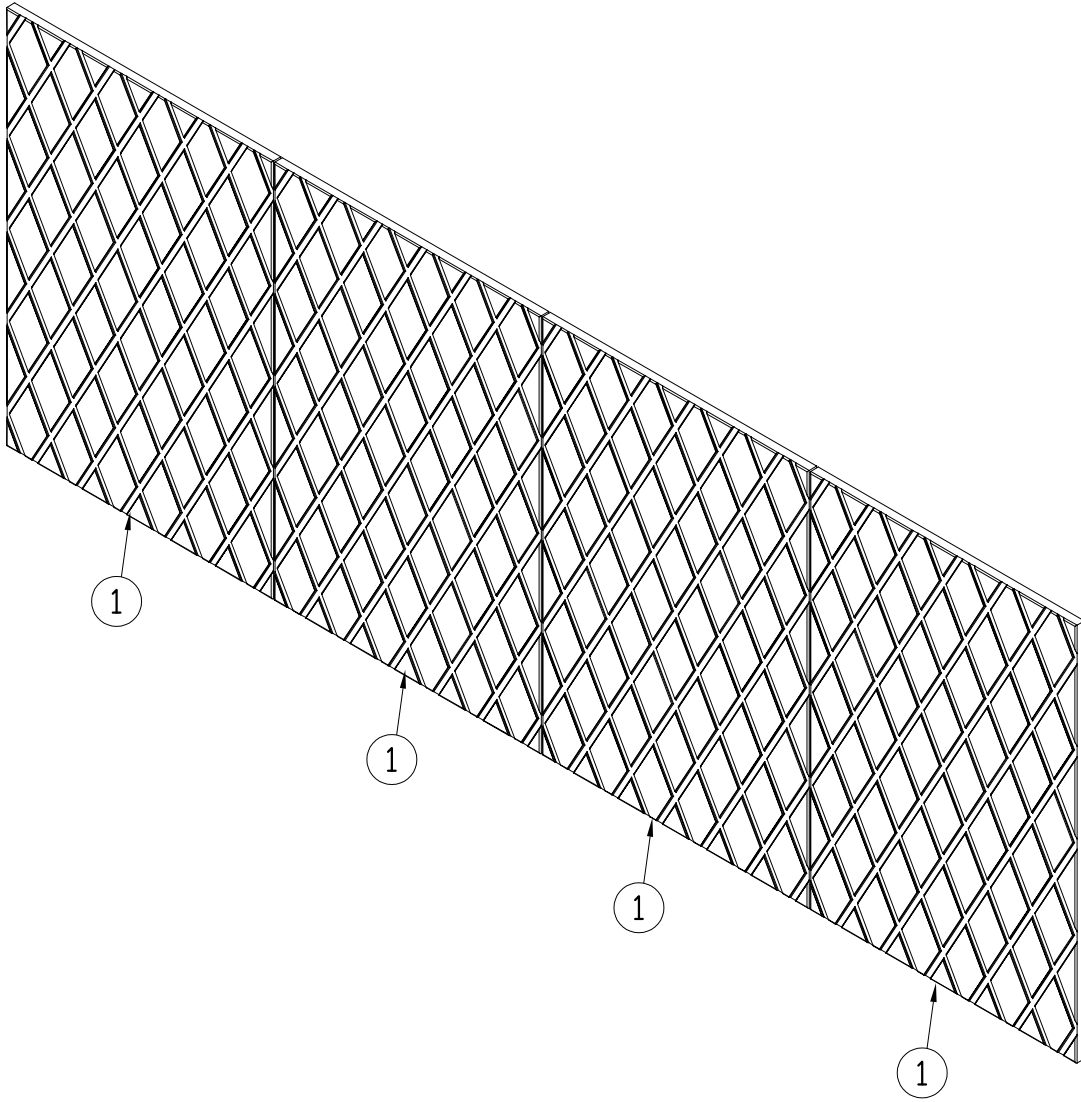
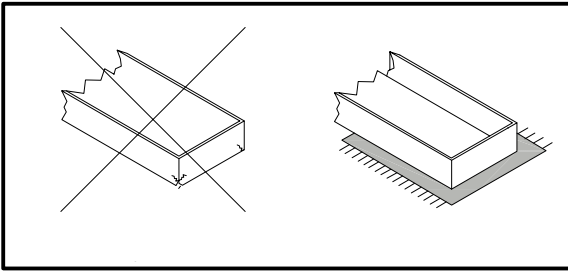
9

$X(8) > Y(9)$

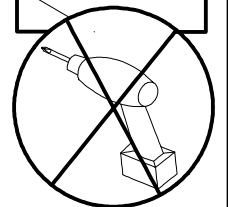
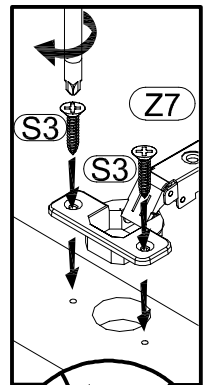
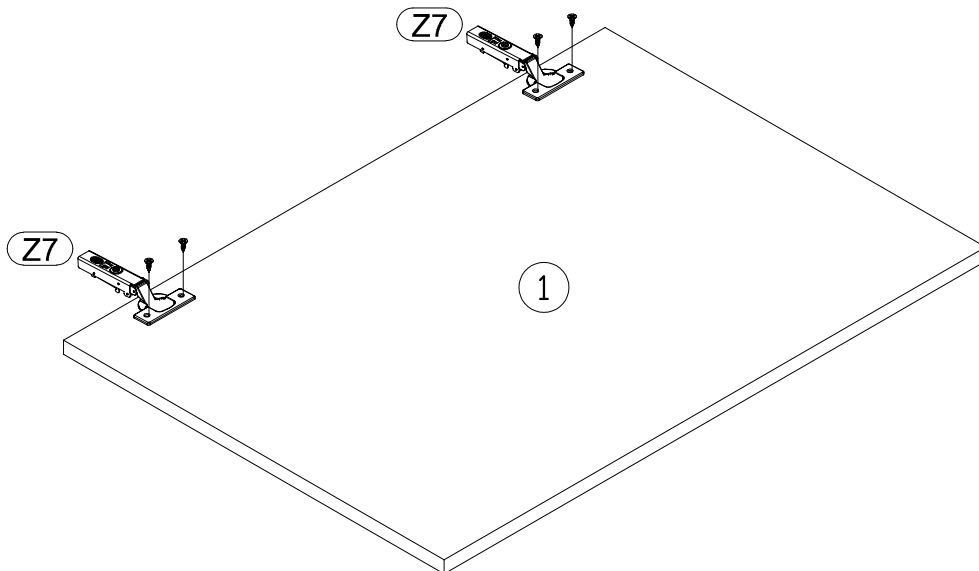


# 10





1



# 2

