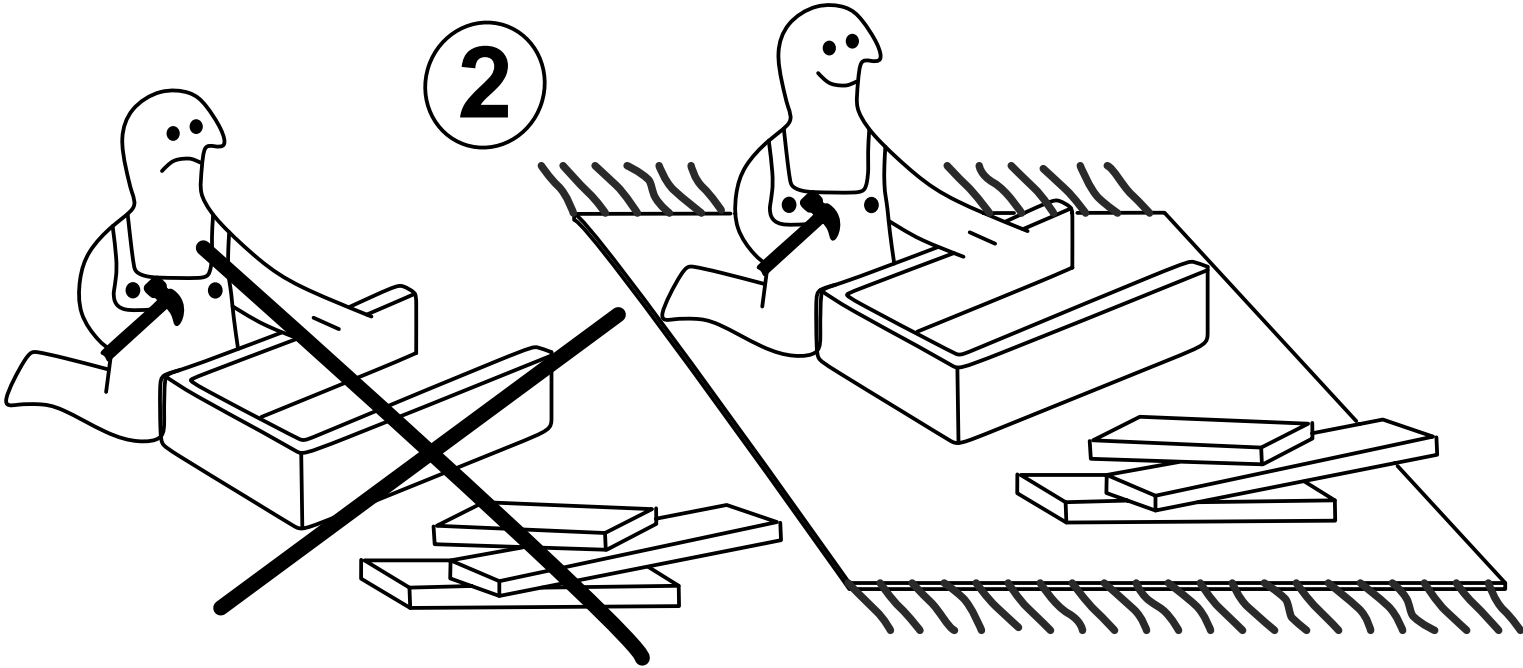


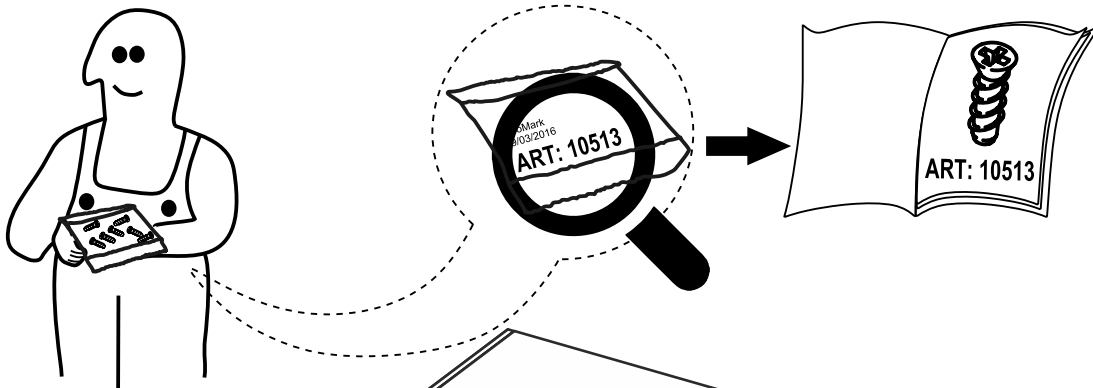
1



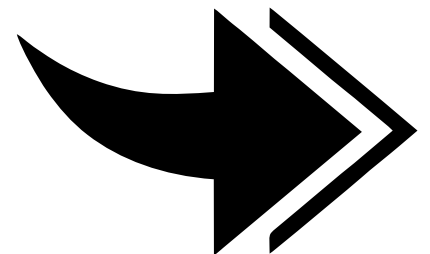
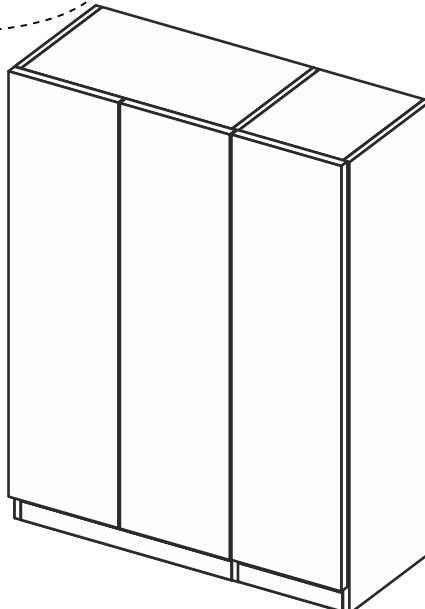
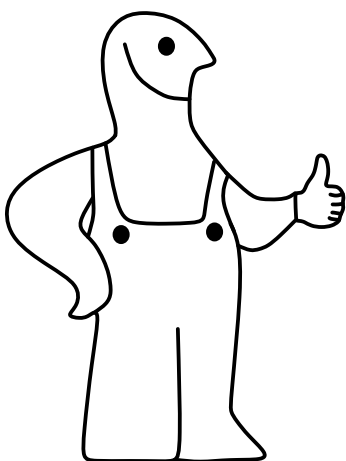
2

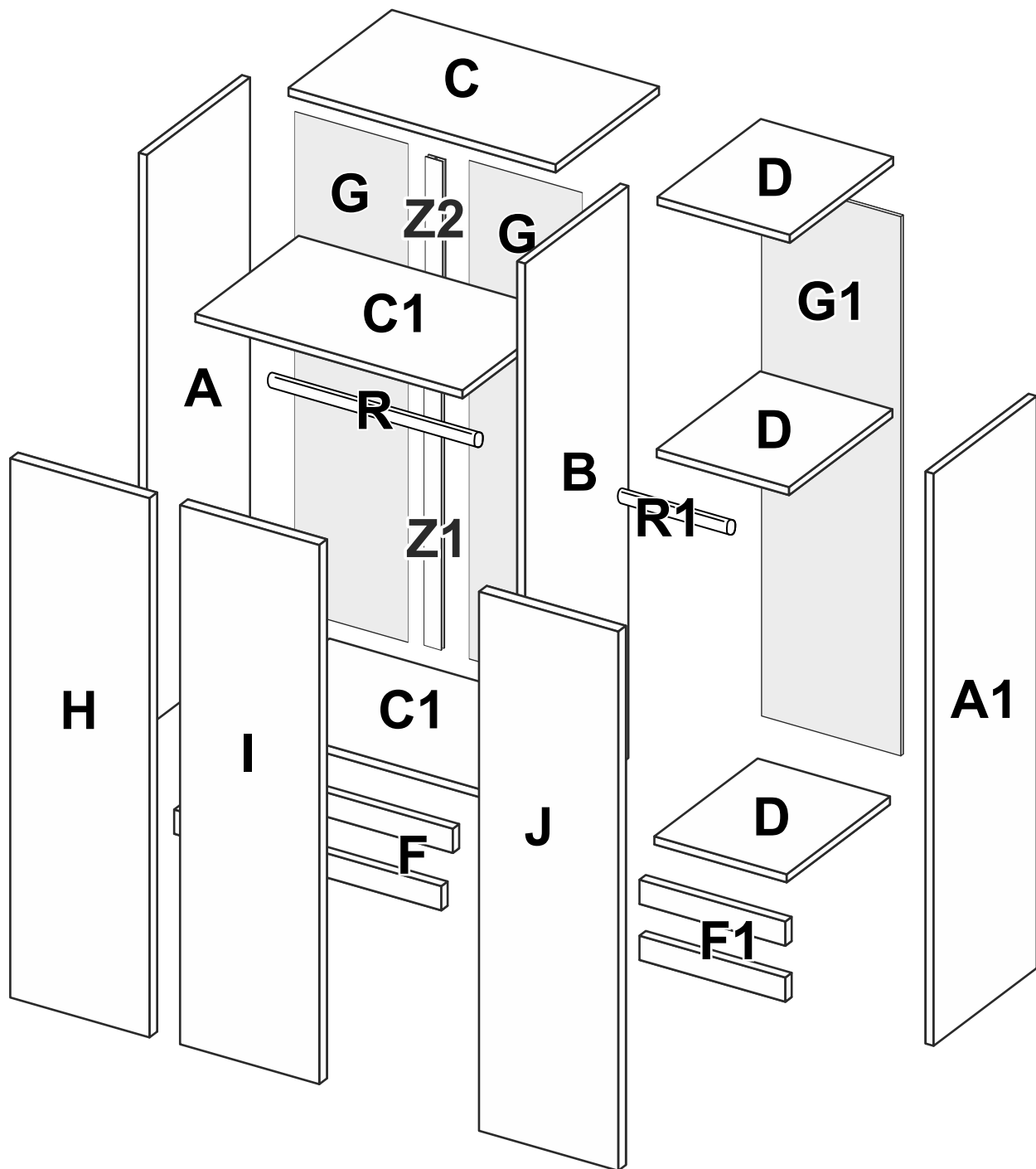


3



4





<b>A</b>	- 2254 x 530 x 18 - x 1	<b>G1</b>	- 2200 x 454 x 3 - x 1
<b>A1</b>	- 2254 x 530 x 18 - x 1	<b>H</b>	- 2200 x 444 x 18 - x 1
<b>B</b>	- 2254 x 516 x 16 - x 1	<b>I</b>	- 2200 x 444 x 18 - x 1
<b>C</b>	- 888 x 516 x 16 - x 3	<b>J</b>	- 2200 x 444 x 18 - x 1
<b>D</b>	- 440 x 516 x 16 - x 3	<b>R</b>	- 881 - x 1
<b>F</b>	- 888 x 50 x 18 - x 2	<b>R1</b>	- 433 - x 1
<b>F1</b>	- 440 x 50 x 18 - x 2	<b>Z1</b>	-1758MM x 1
<b>G</b>	- 2200 x 451 x 3 - x 2	<b>Z2</b>	-394MM x 1

