


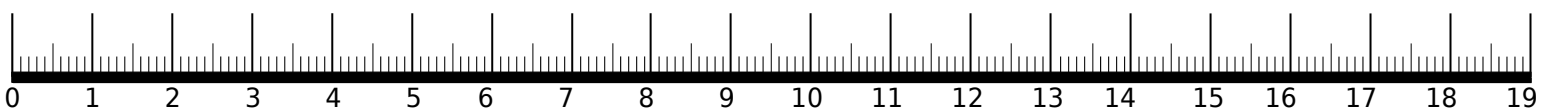
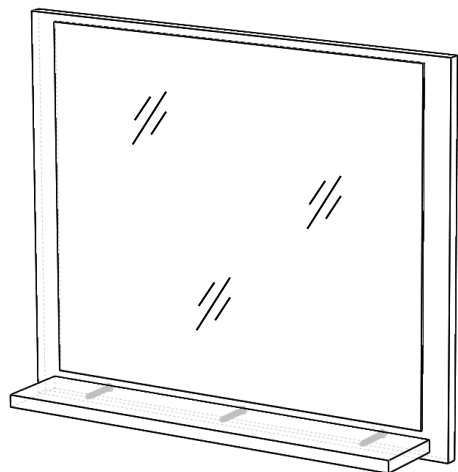
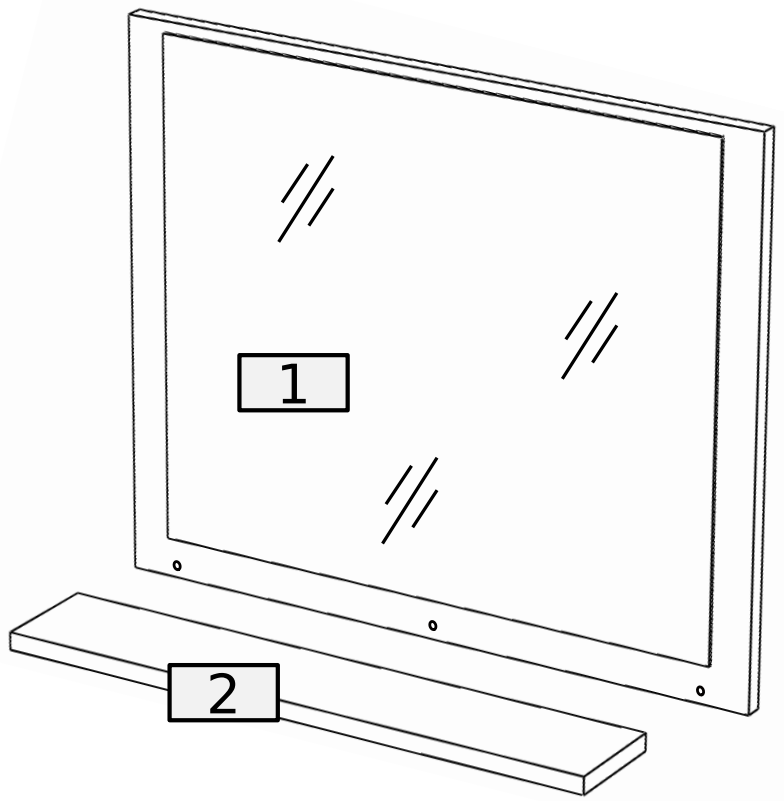


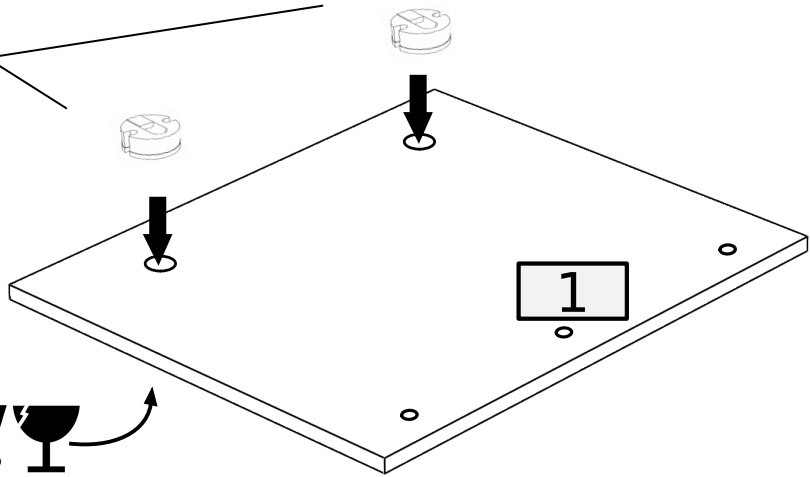
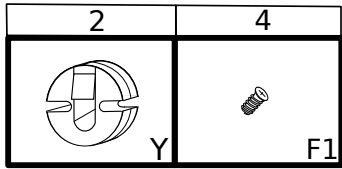
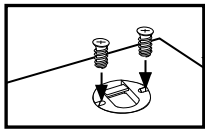
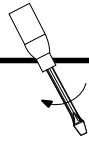
2	4	3
		
Y	F1	O



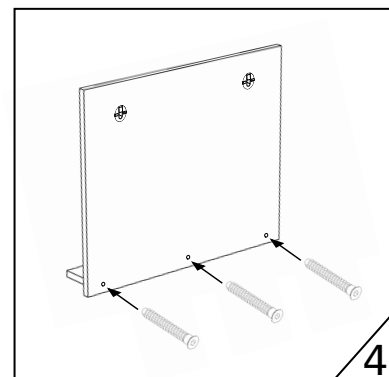
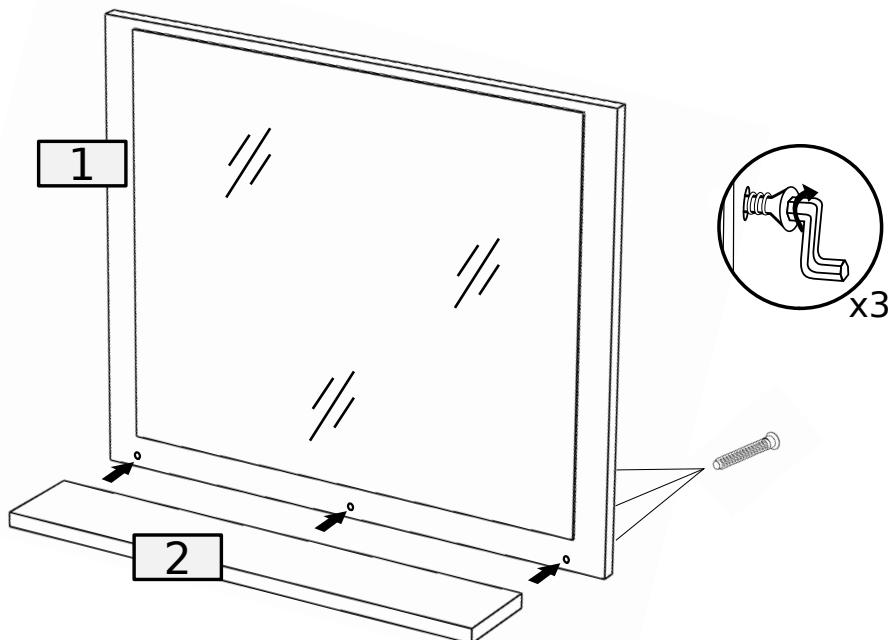
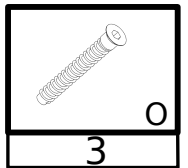
No.	Pcs.	L	W	D	Pac
1	1	600	500	16	1/1
2	1	548	100	16	1/1



①

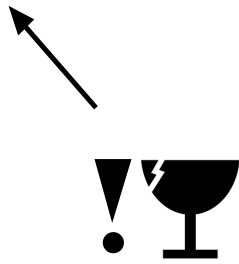
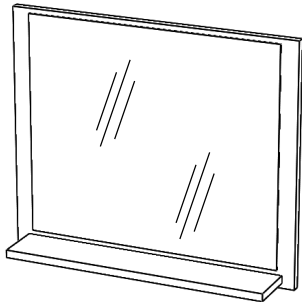
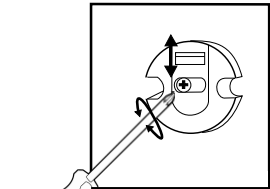
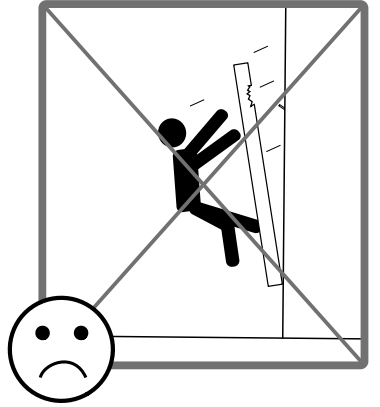
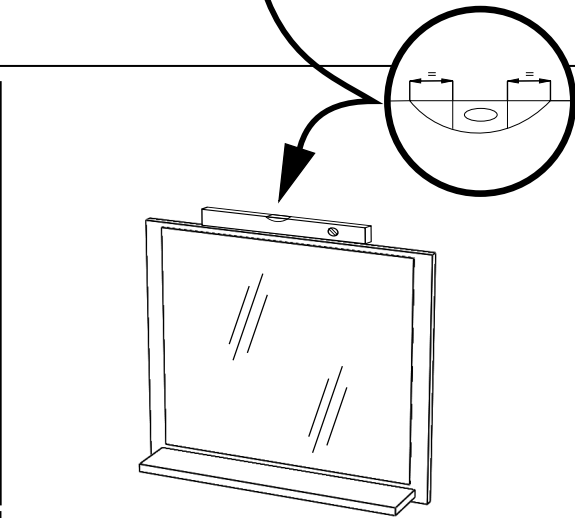
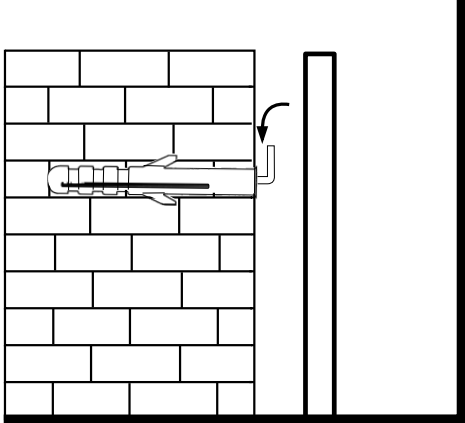
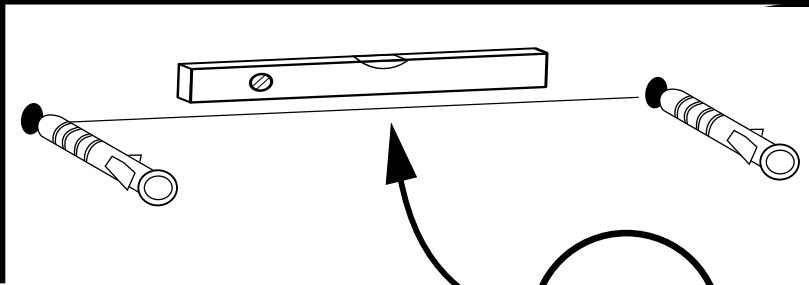
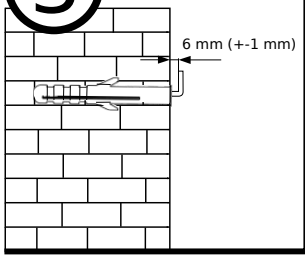


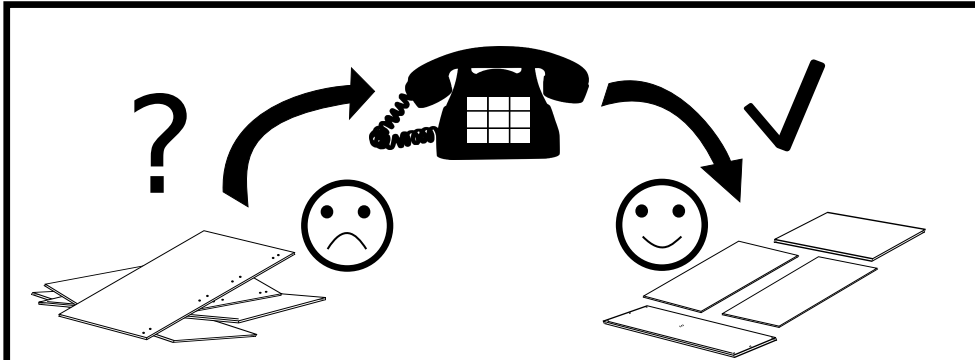
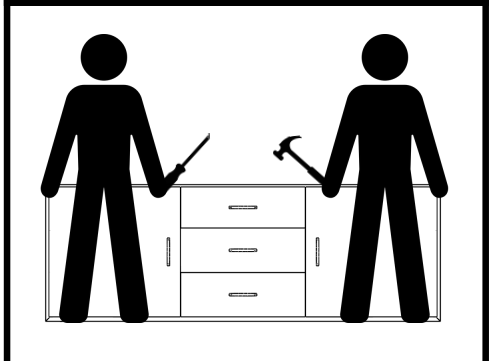
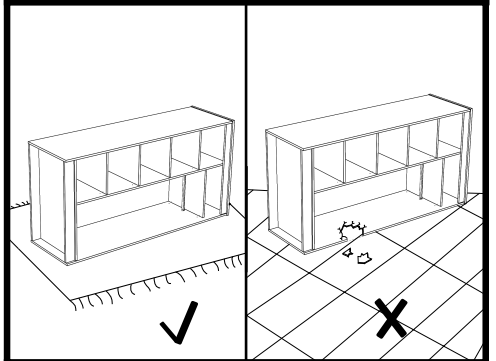
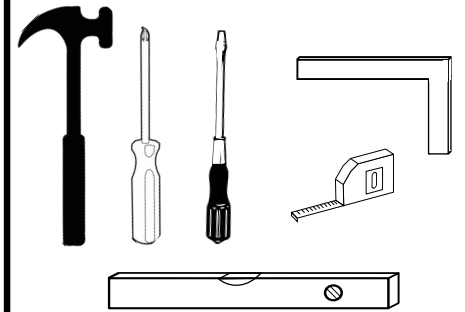
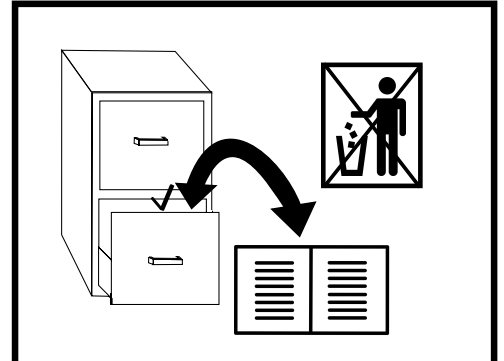
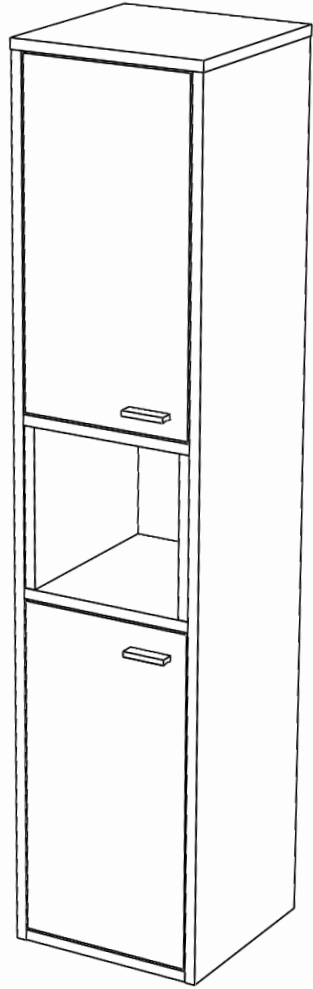
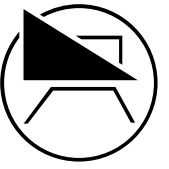
②

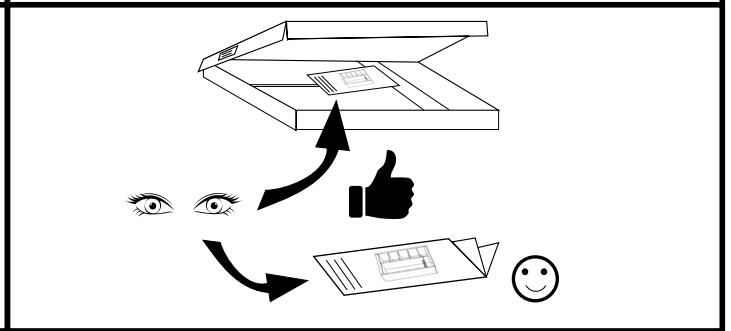
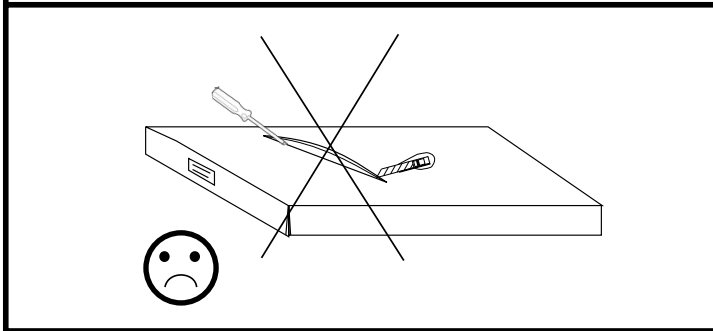
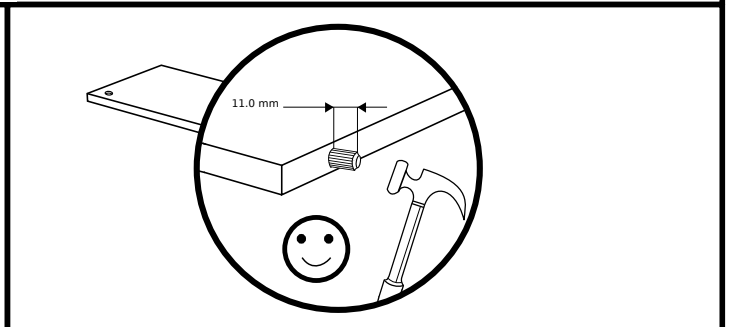
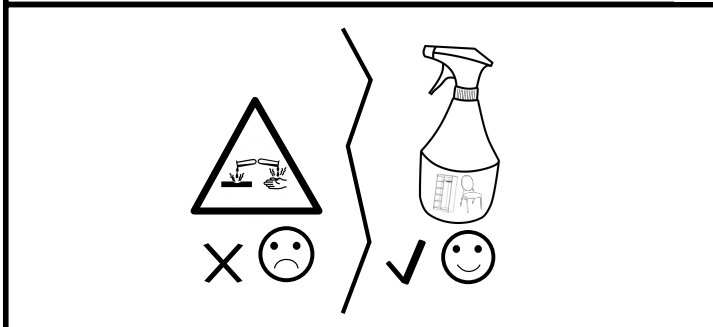
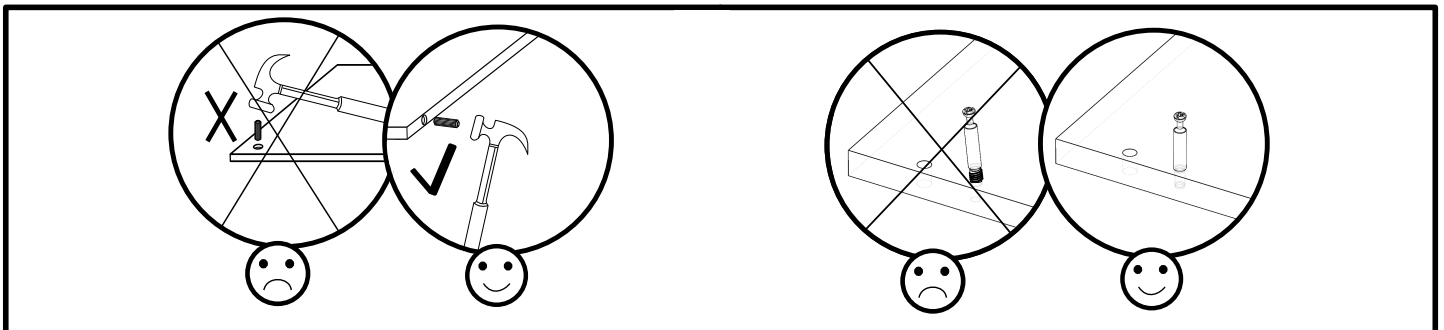


4

3

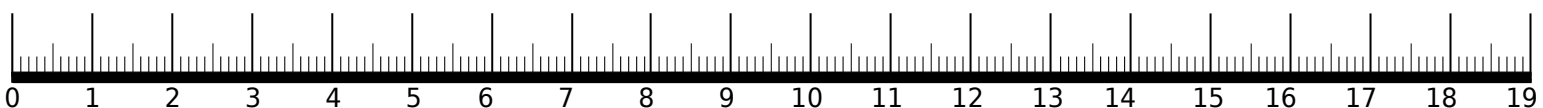
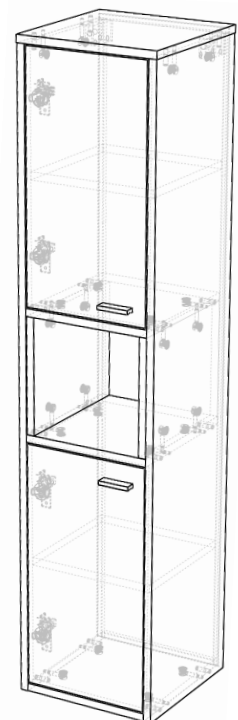


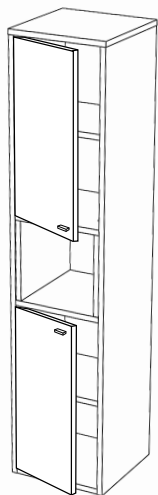




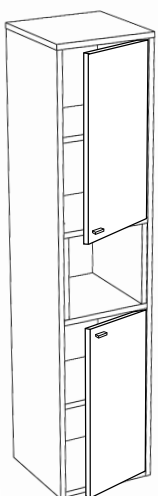
24	24	16	4	4
B	A	8.0x35	D 3.5x25 W10	PZ
X	Z	3.5x16 W2	UO	G
12	4	8	2	6

8	8	8
S3	I ø5	X2
LT W	RT W	4.0x30 W8
1	1	4

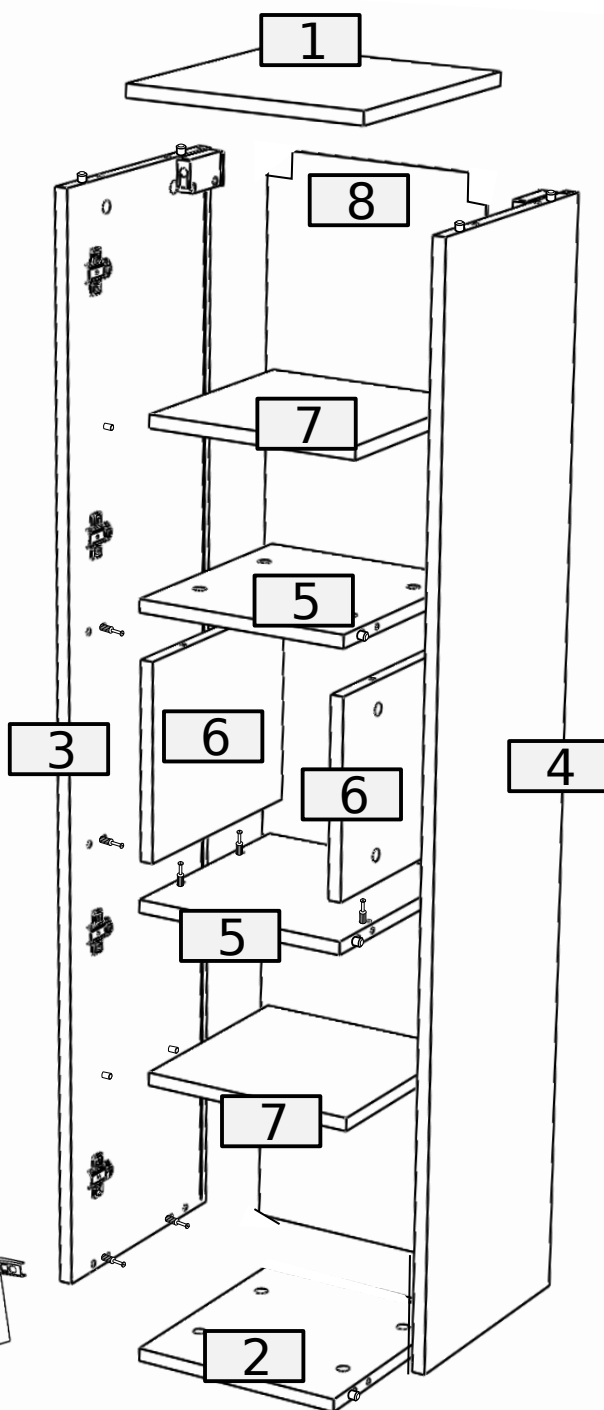
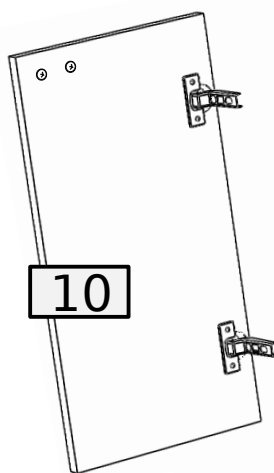
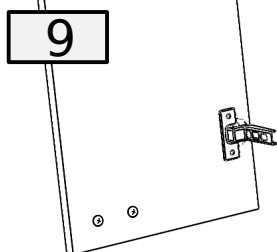




**A**

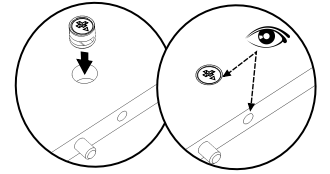
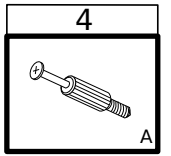
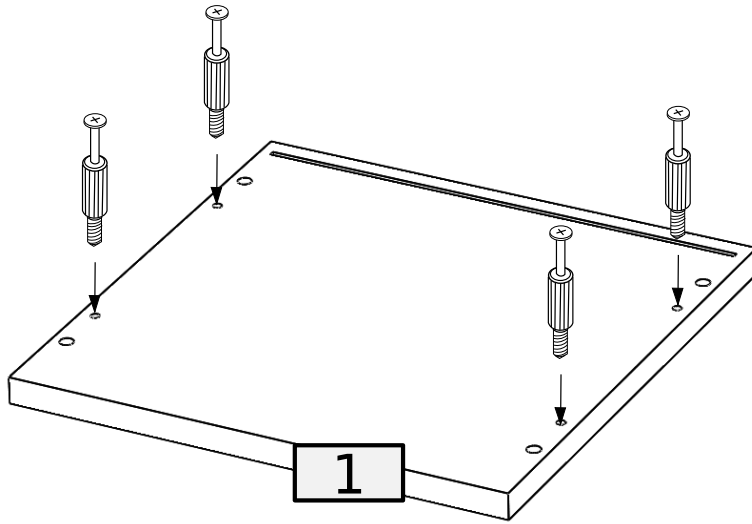


**B**

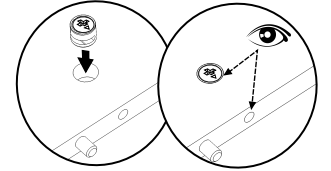
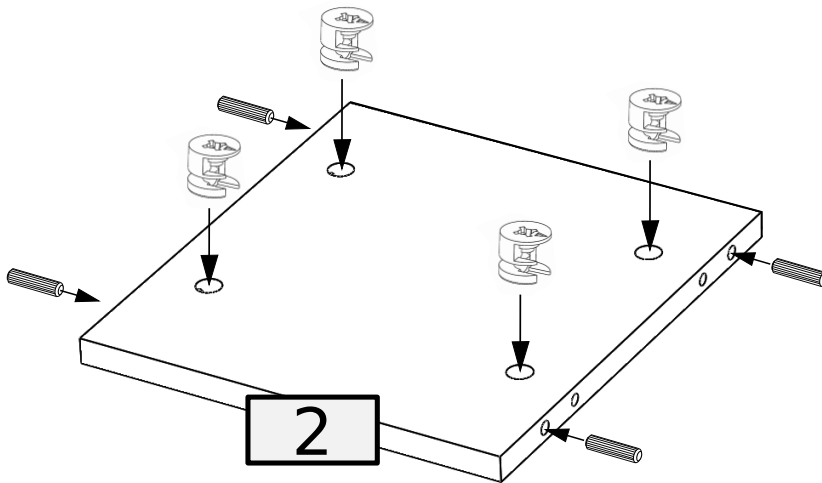
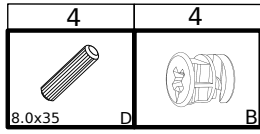


No.	Pcs.	L	W	D	Pac
1	1	300	300	16	1/1
2	1	278	266	16	1/1
3	1	1313	298	16	1/1
4	1	1313	298	16	1/1
5	2	277	266	16	1/1
6	2	276	240	16	1/1
7	2	260	266	16	1/1
8	1	1320	280	3	1/1
9	1	506	260	16	1/1
10	1	506	260	16	1/1

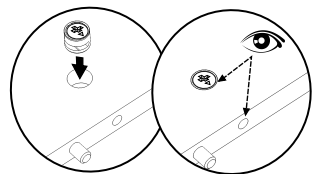
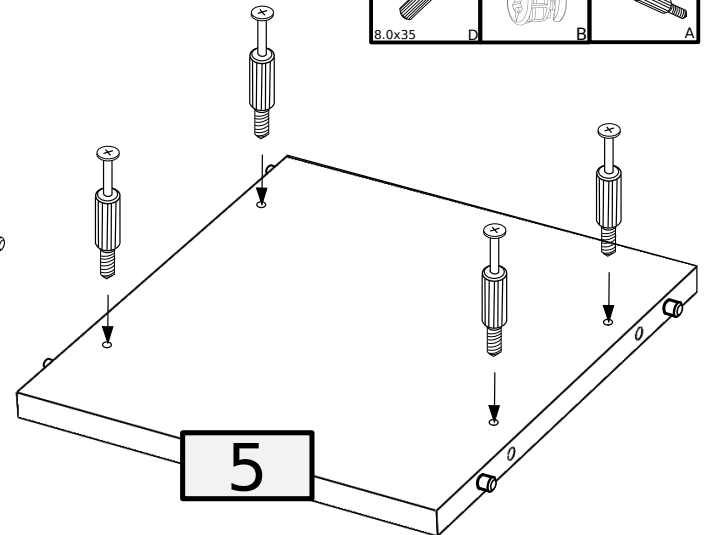
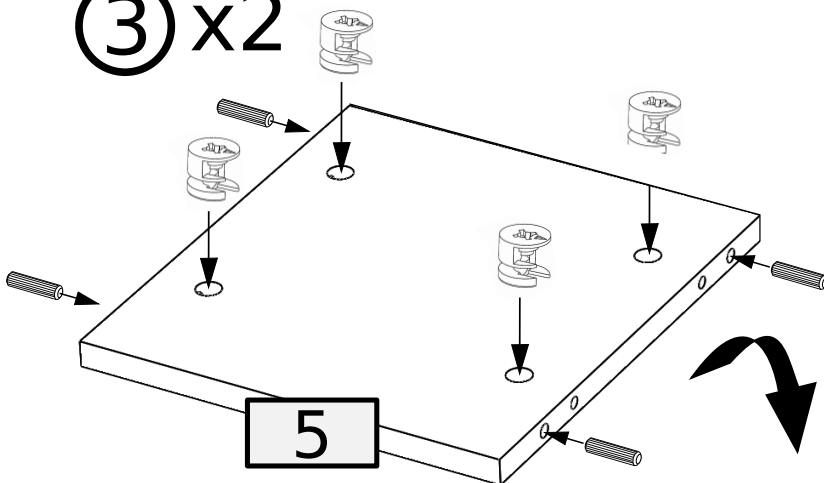
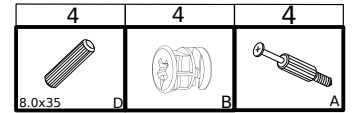
①



②





③ x2

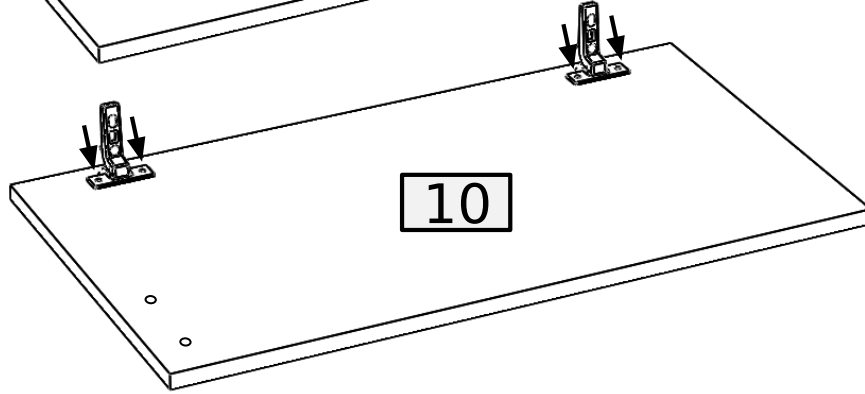
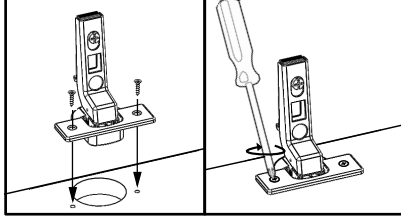
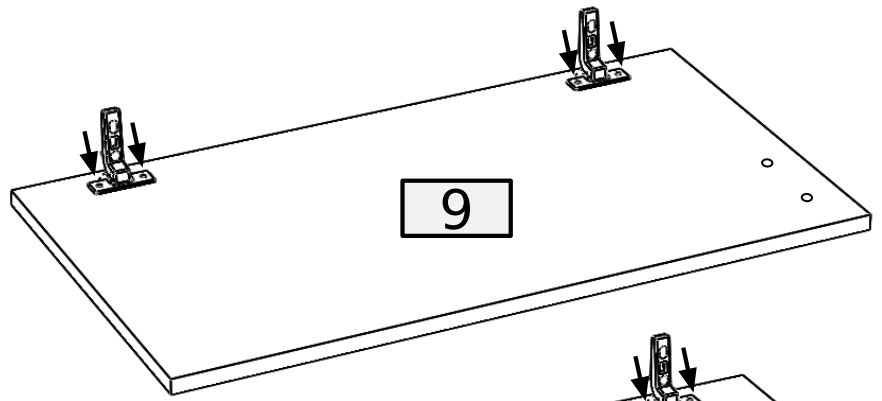




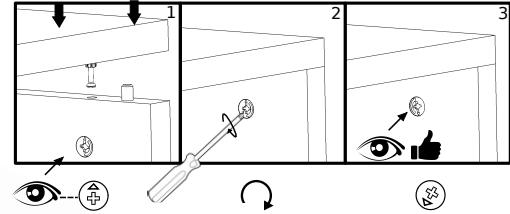
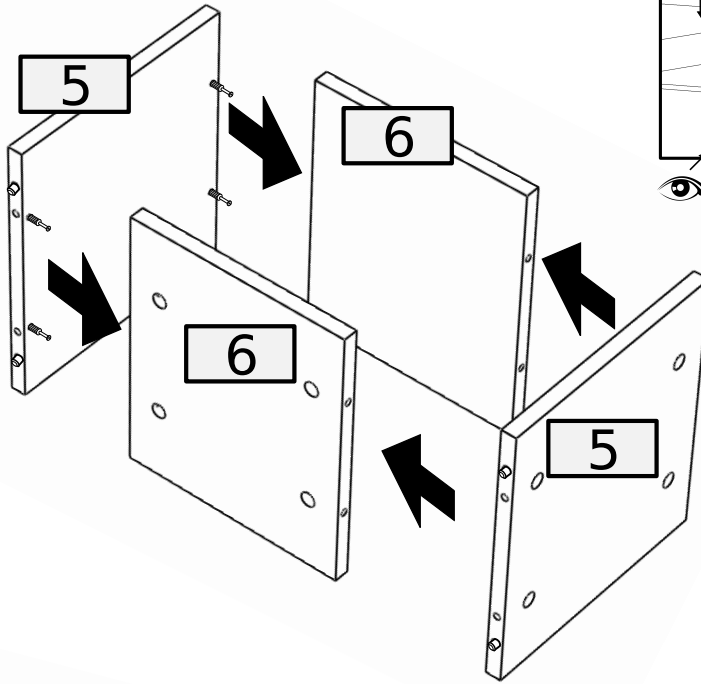


7

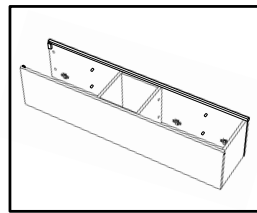
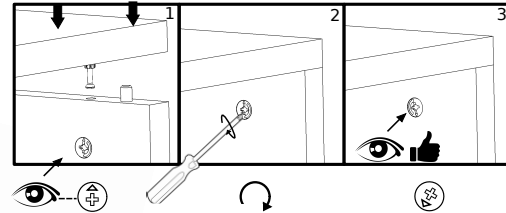
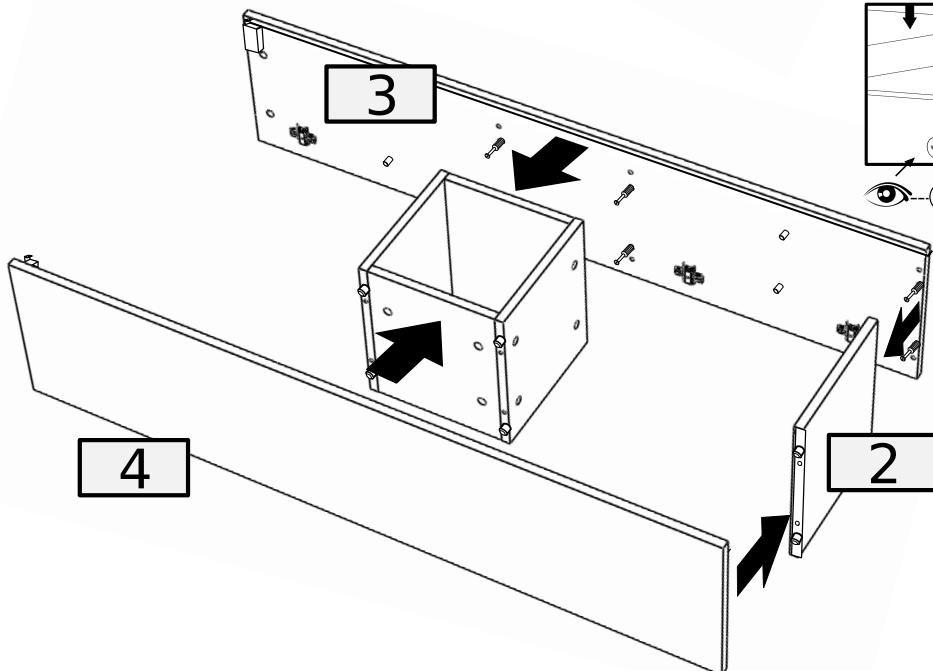
	
3.5x16	W2 Z
4	2



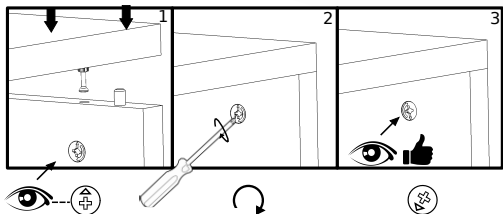
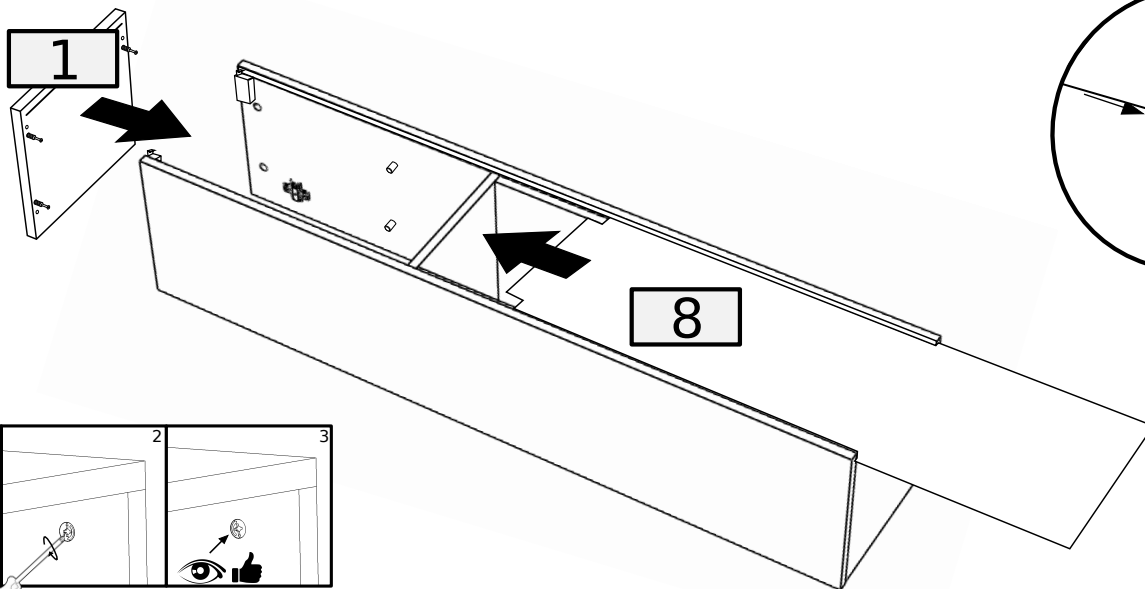
8



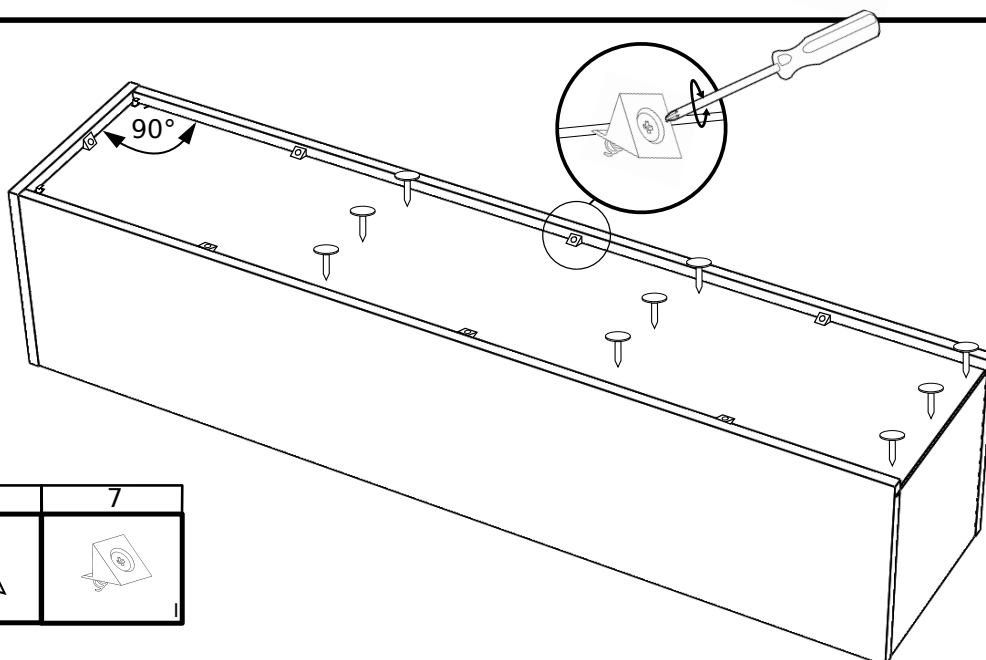
9



10

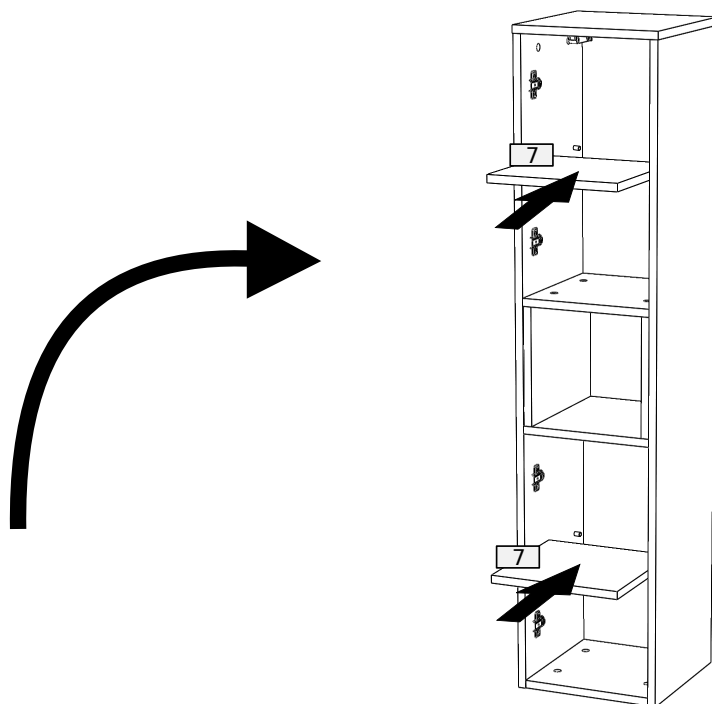


11



9	7
G	I

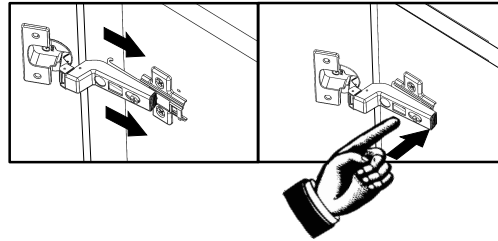
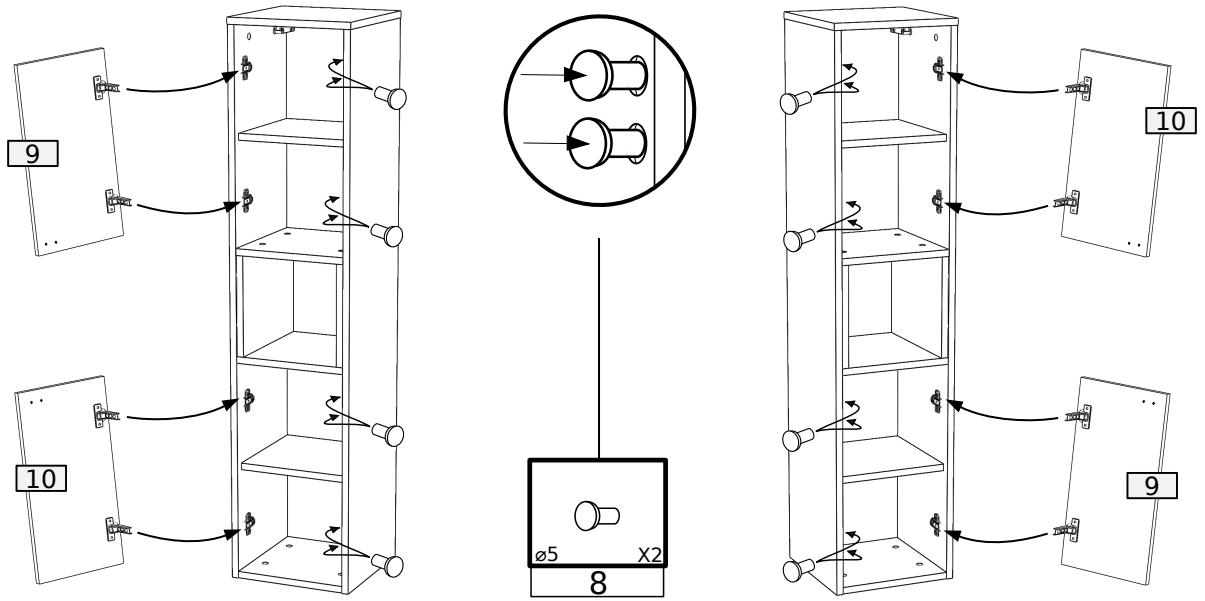
12



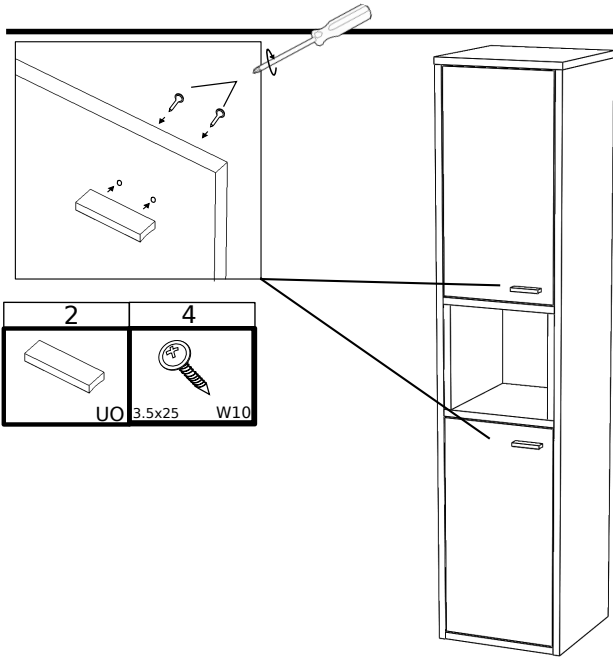
13

"A"

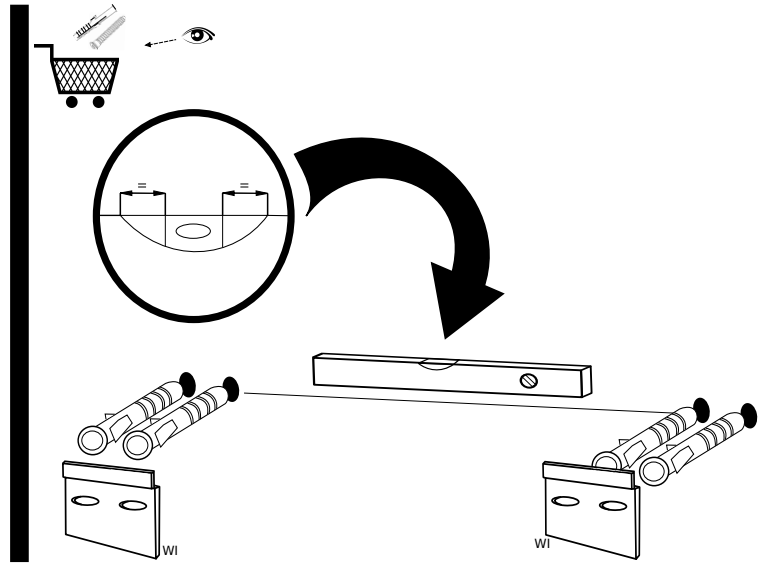
"B"



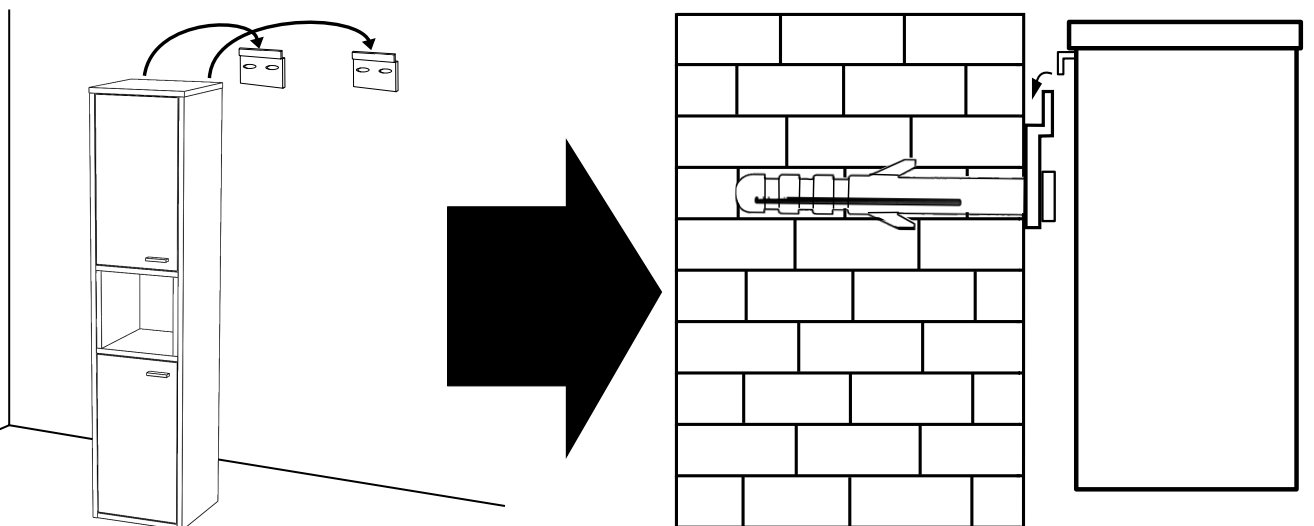
14



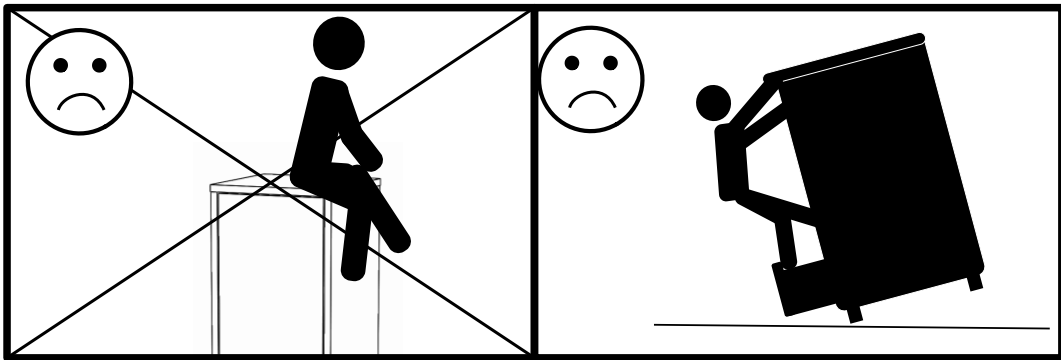
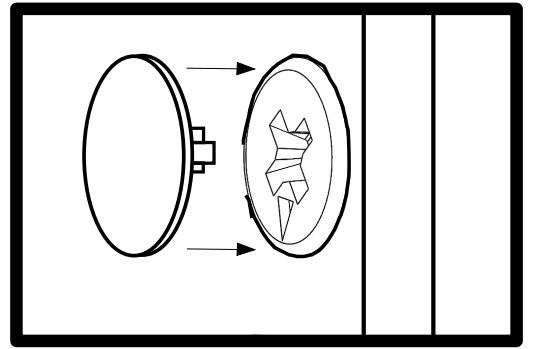
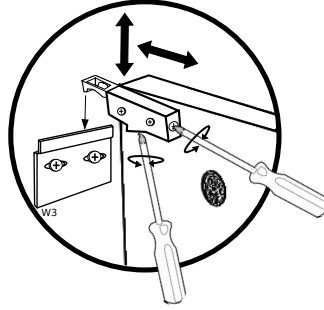
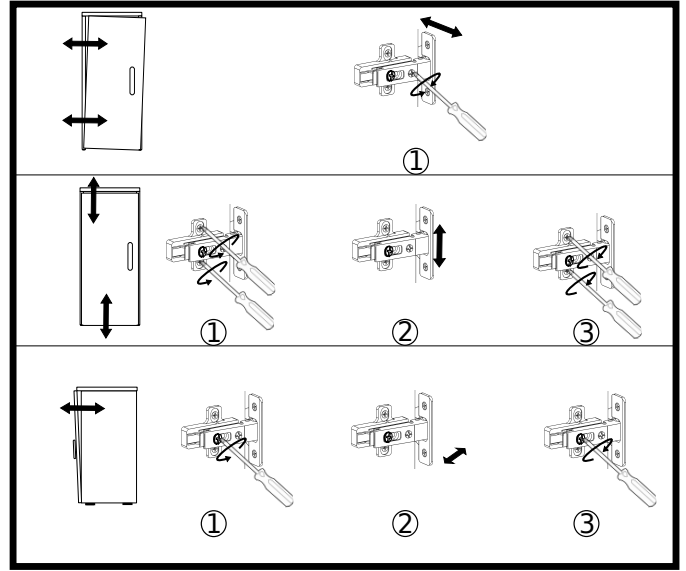
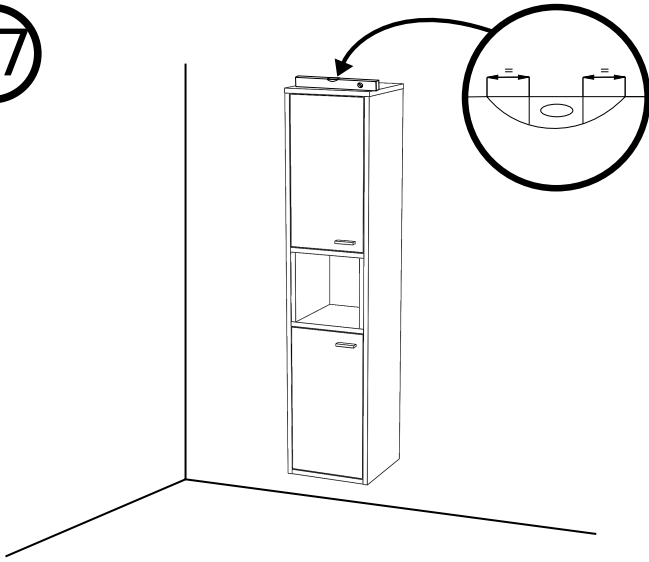
15

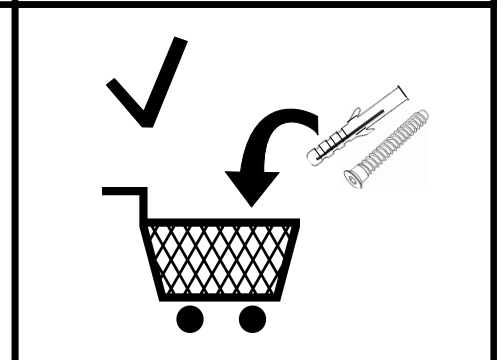
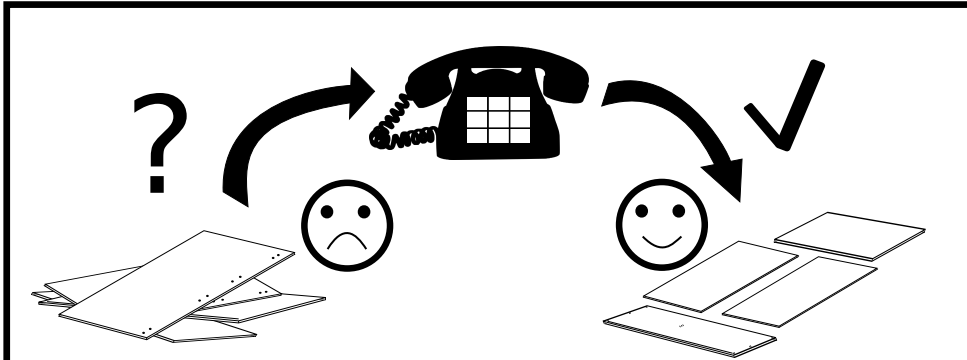
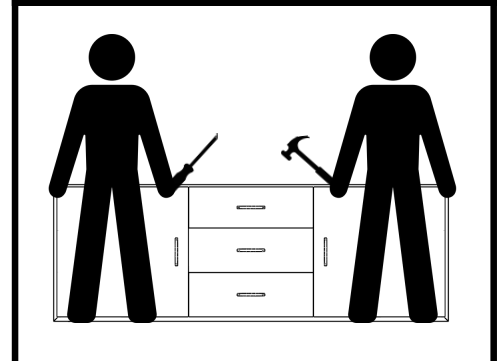
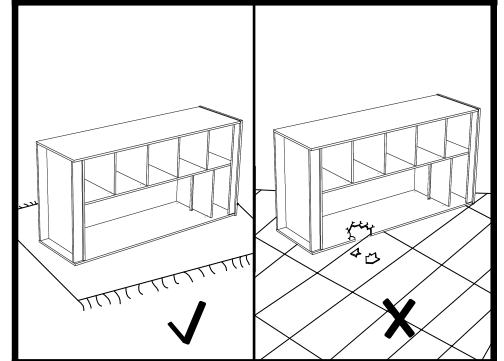
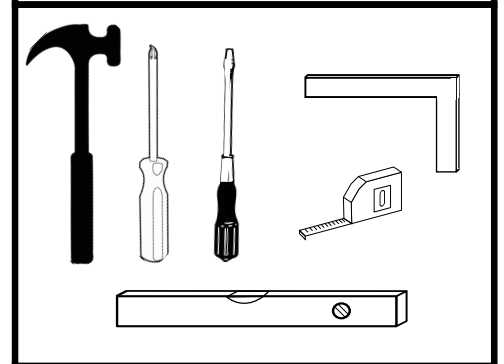
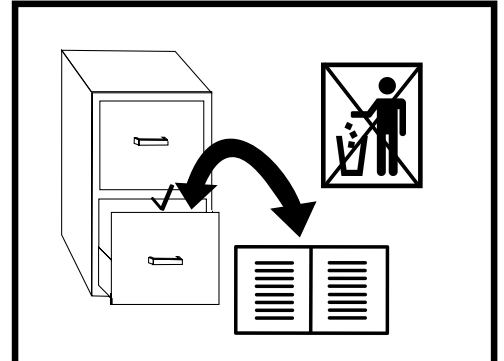
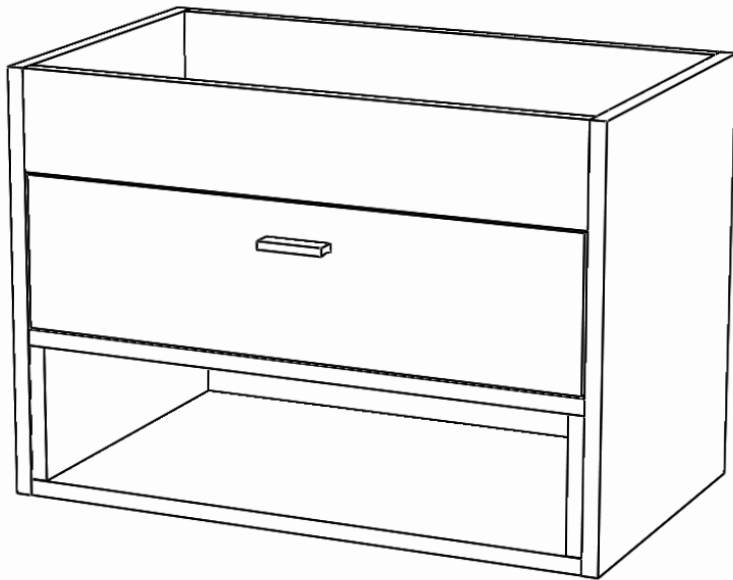
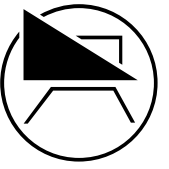


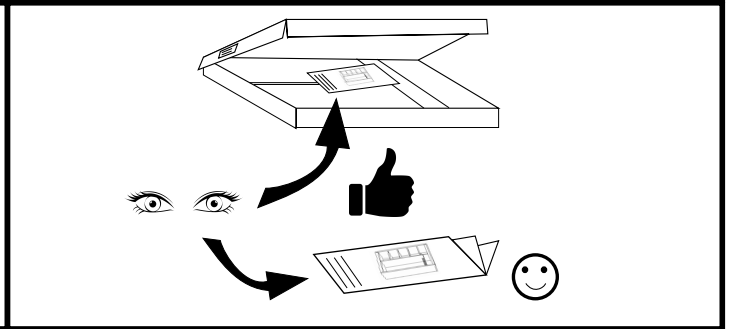
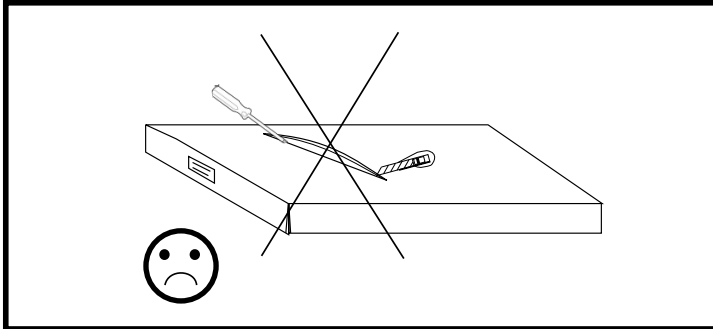
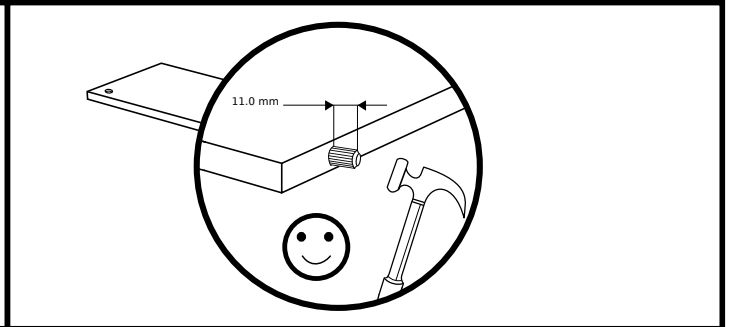
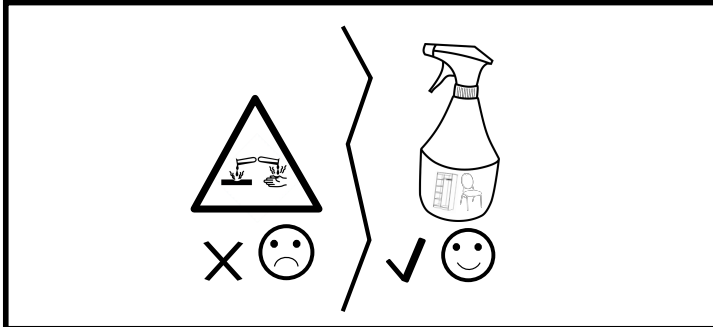
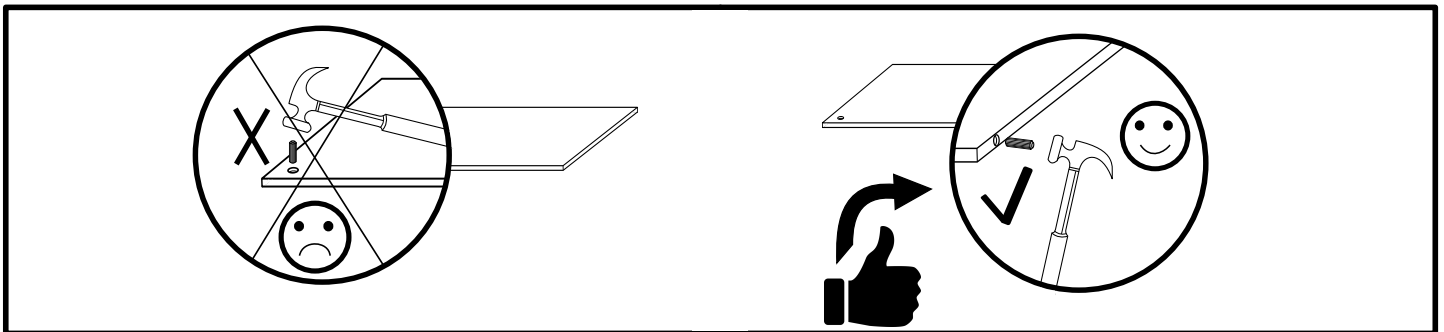
16



17

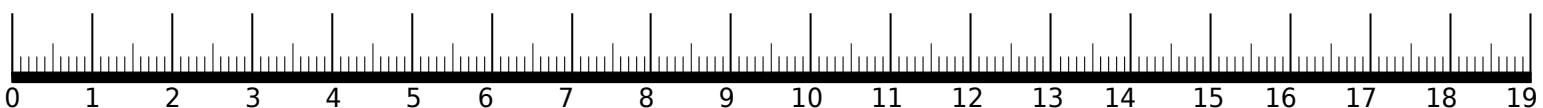
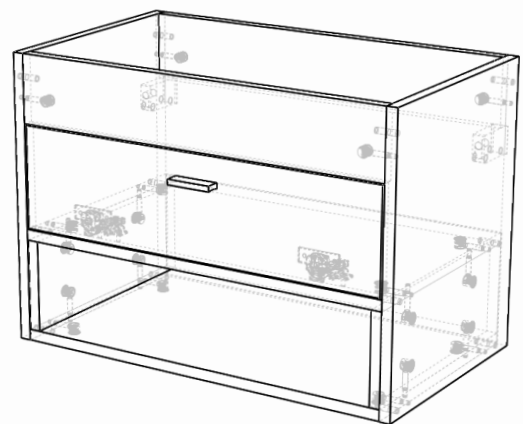


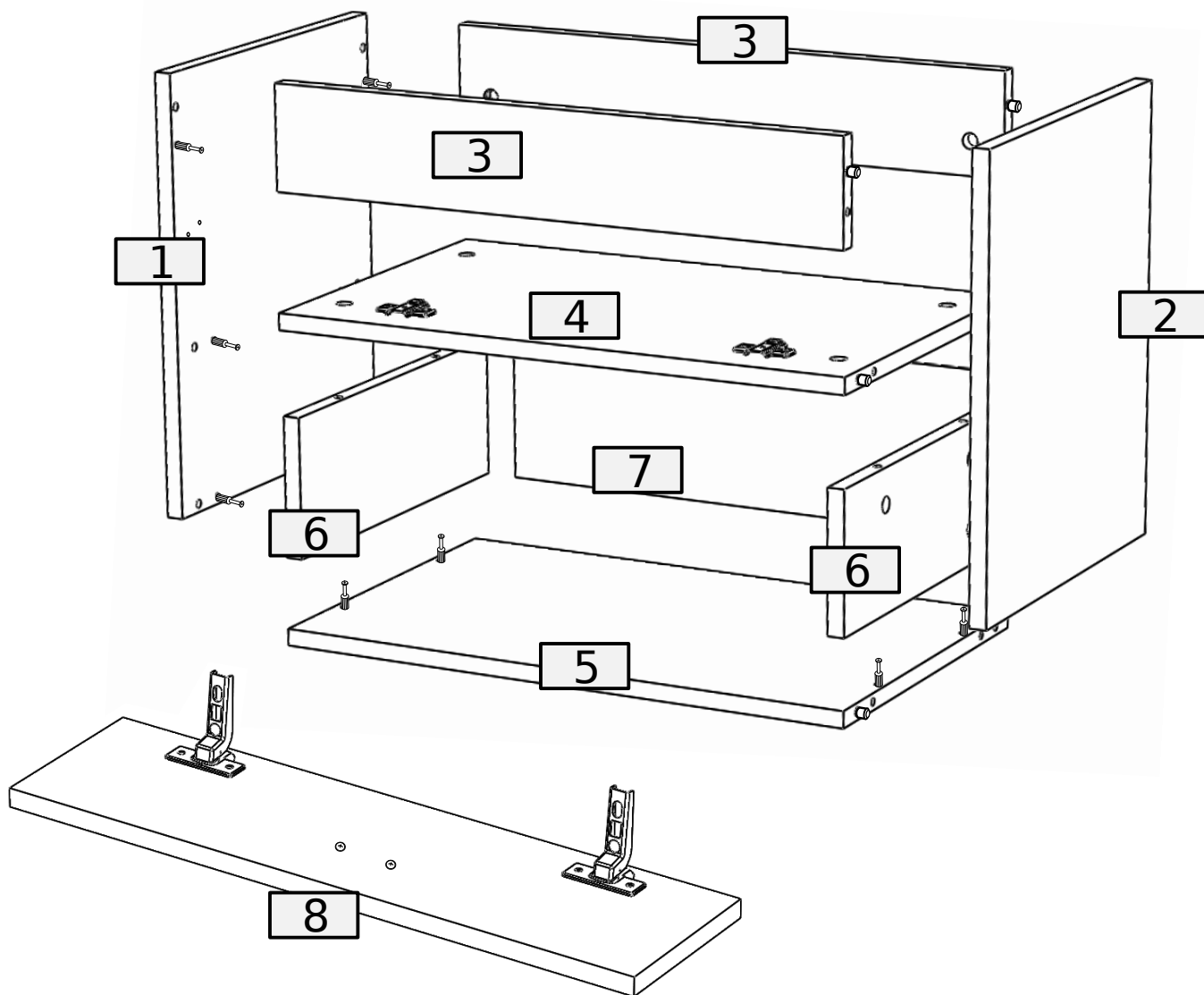




20	20	12	2
B	A	8.0x35	D
X	Z	3.5x16	W2 G
8	2	9	10

1	2	1	2
R	3.5x25	W10	UO
LT	RT	W	W8
1	1	4	1

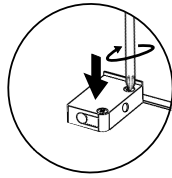




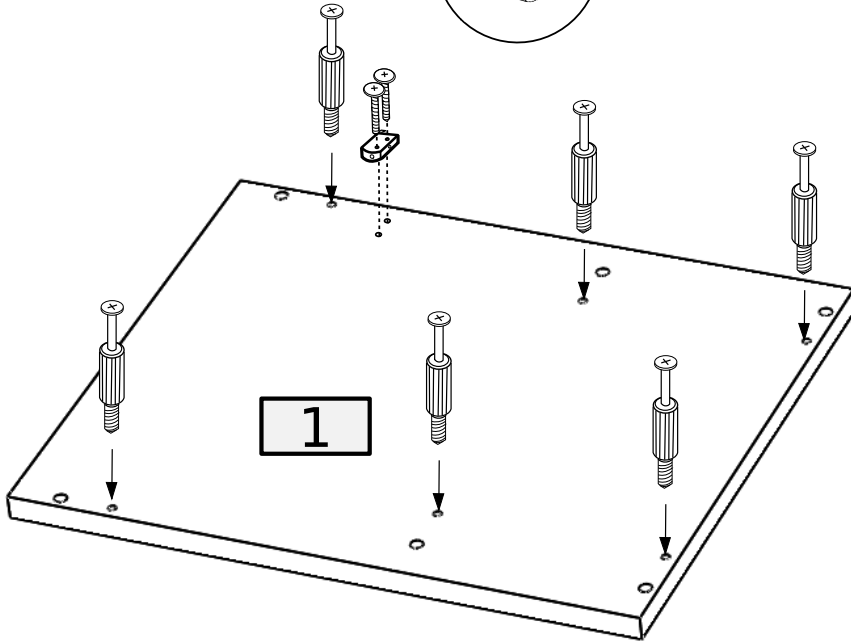
No.	Pcs.	L	W	D	Pac
1	1	450	350	16	1/1
2	1	450	350	16	1/1
3	2	568	100	16	1/1
4	1	568	346	16	1/1
5	1	568	346	16	1/1
6	2	345	134	16	1/1
7	1	567	165	3	1/1
8	1	562	178	16	1/1



①

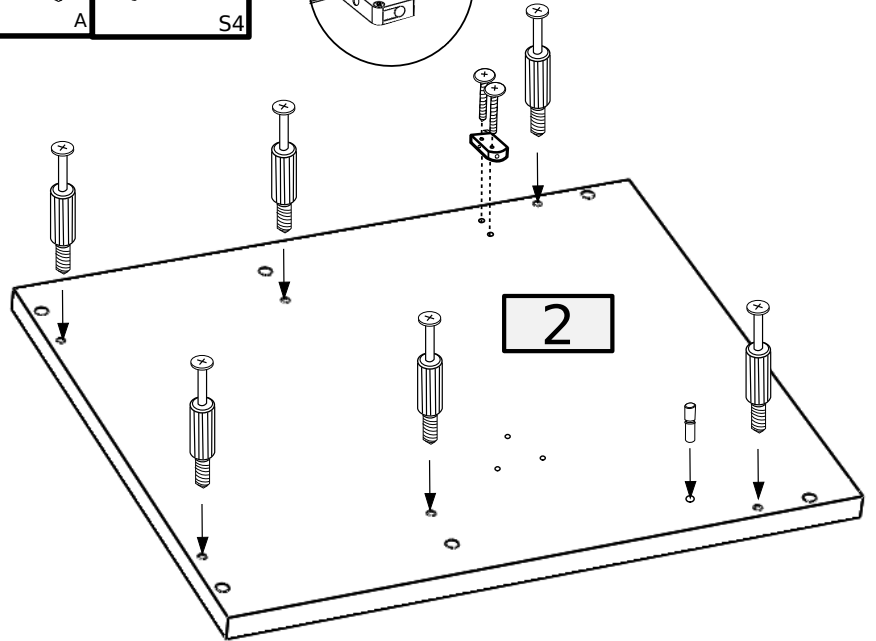
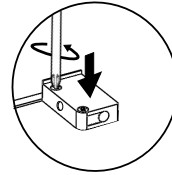


1	2	6
LT	W 4.0x30 W8	A



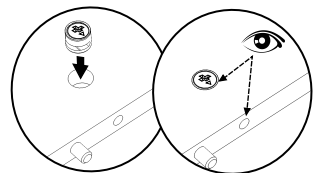
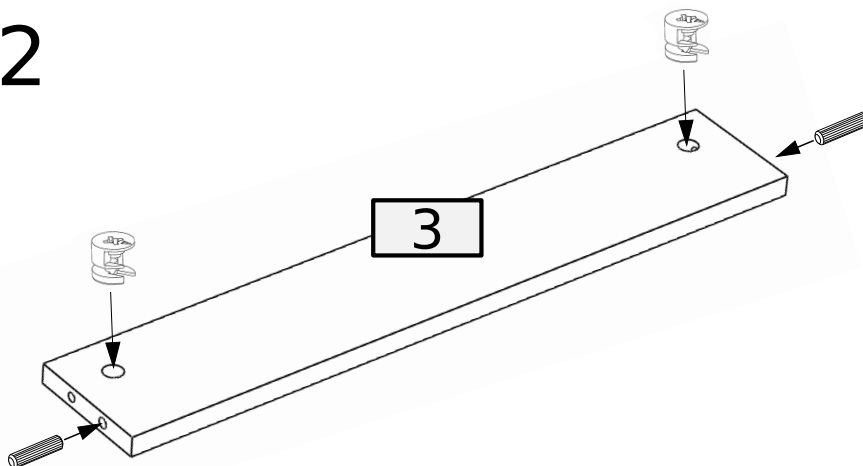
②

1	2	6	1
RT	W 4.0x30 W8	A	S4

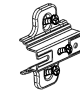
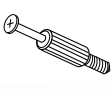




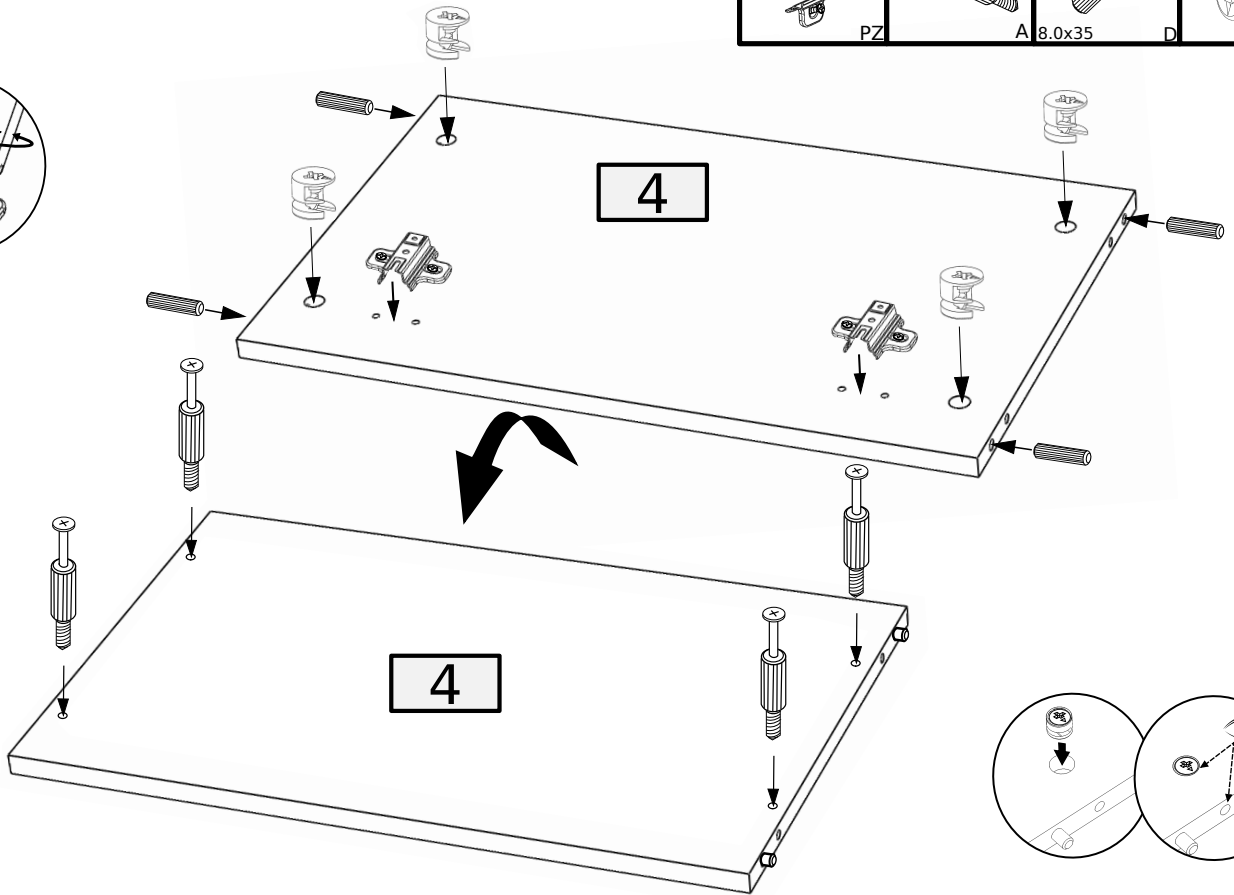
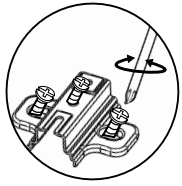
③ x2

2	2
8.0x35	D B

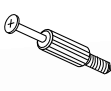




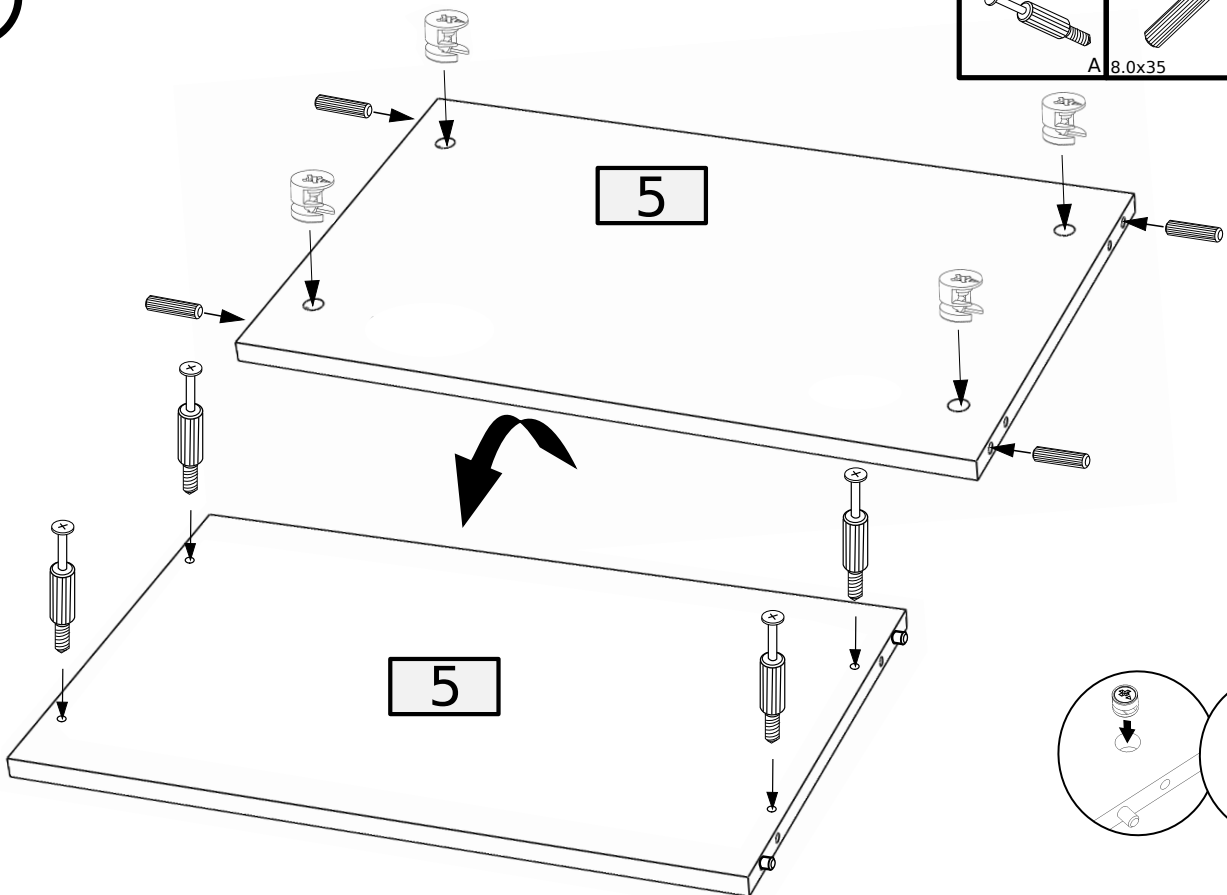
4

2	4	4	4
			
PZ	A	8.0x35	D
			B

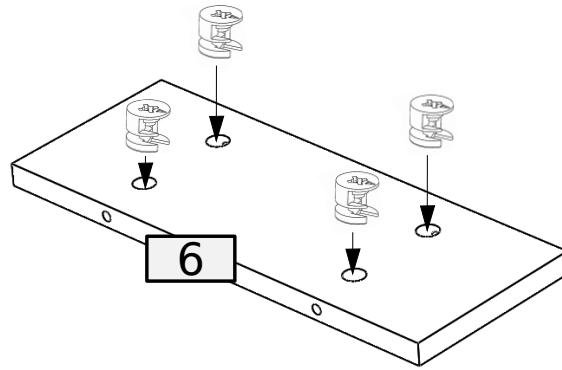
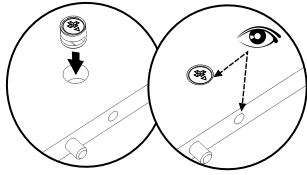
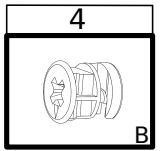


5

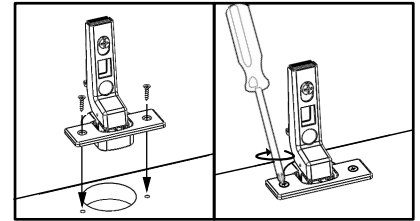
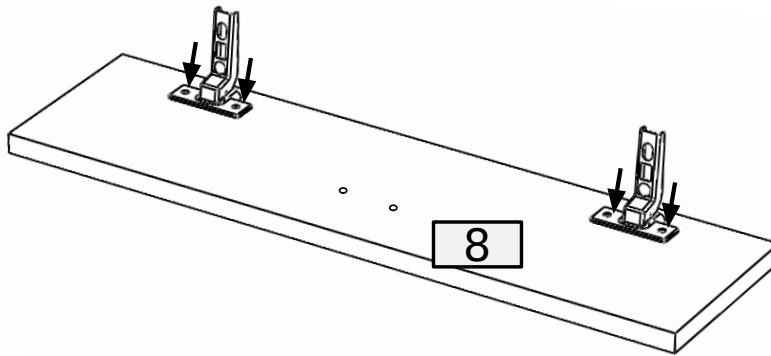
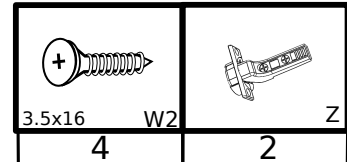
4	4	4
		
A	8.0x35	D
		B



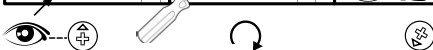
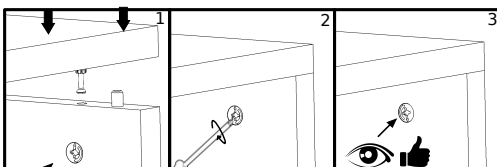
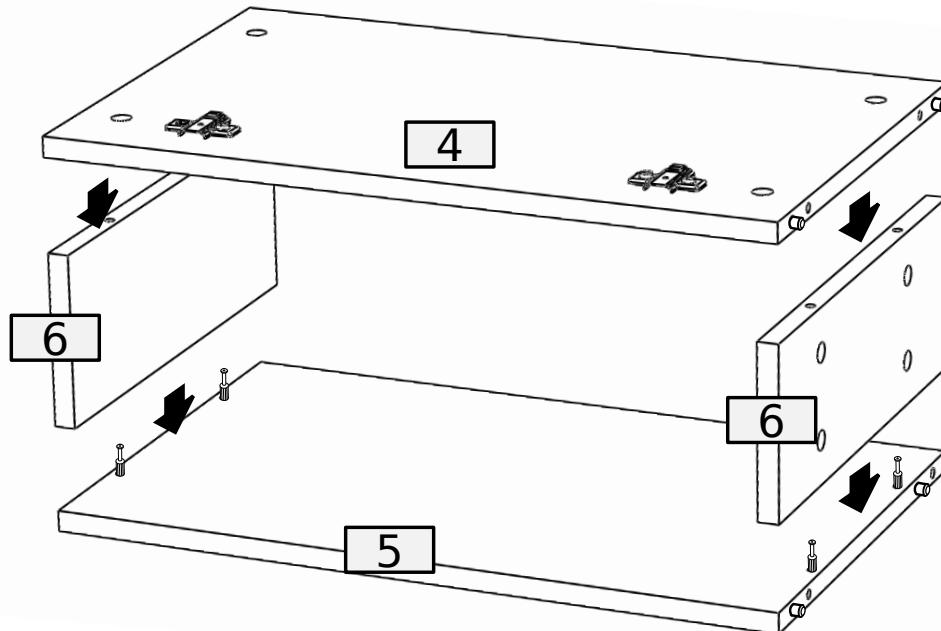
⑥ x2



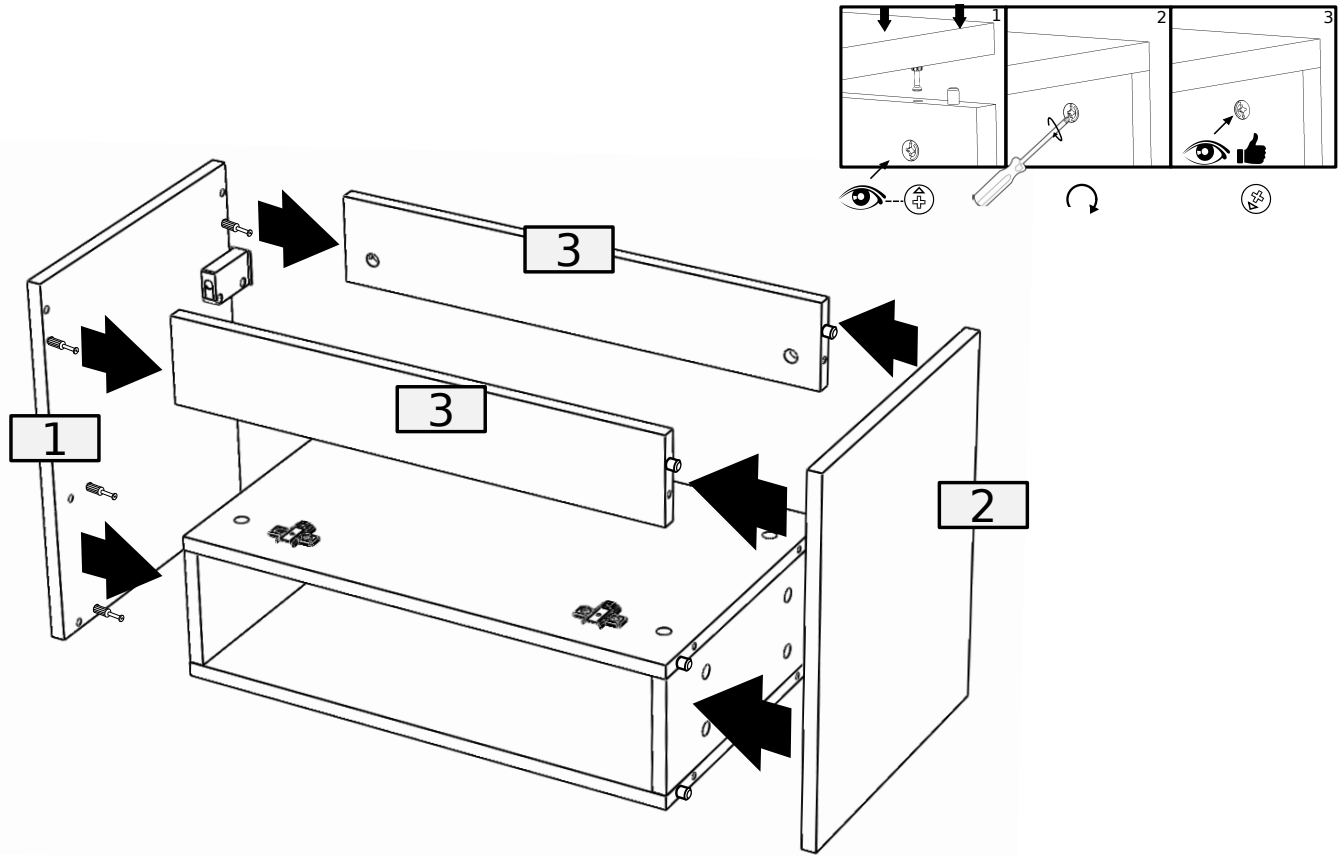
⑦



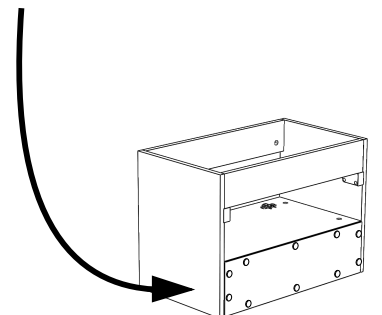
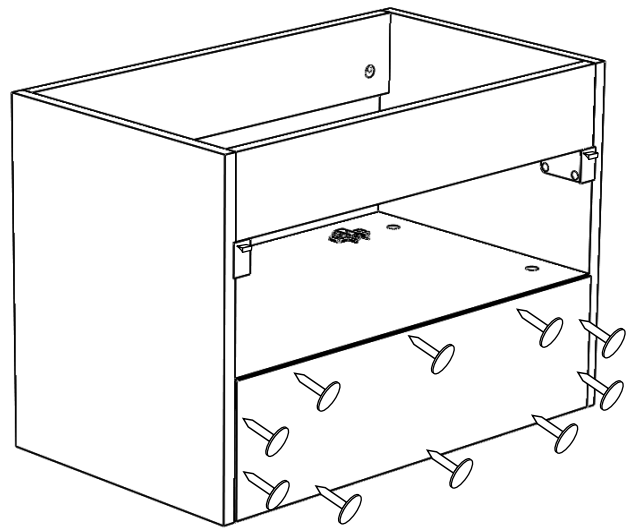
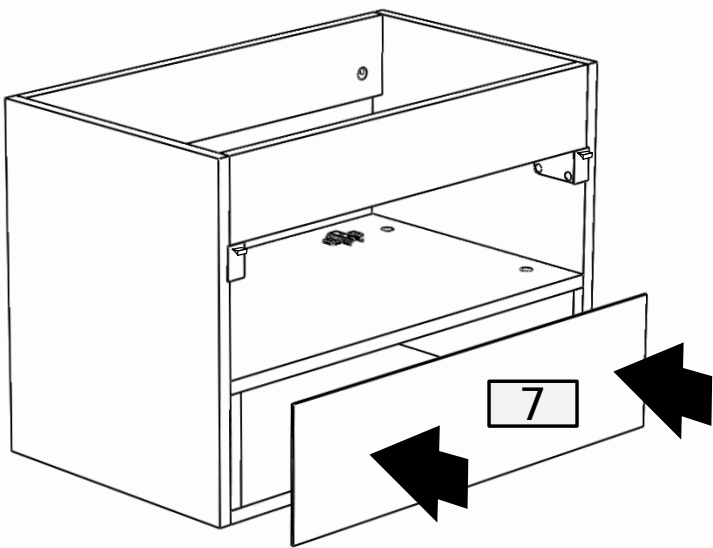
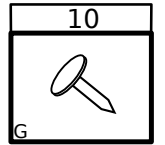
⑧



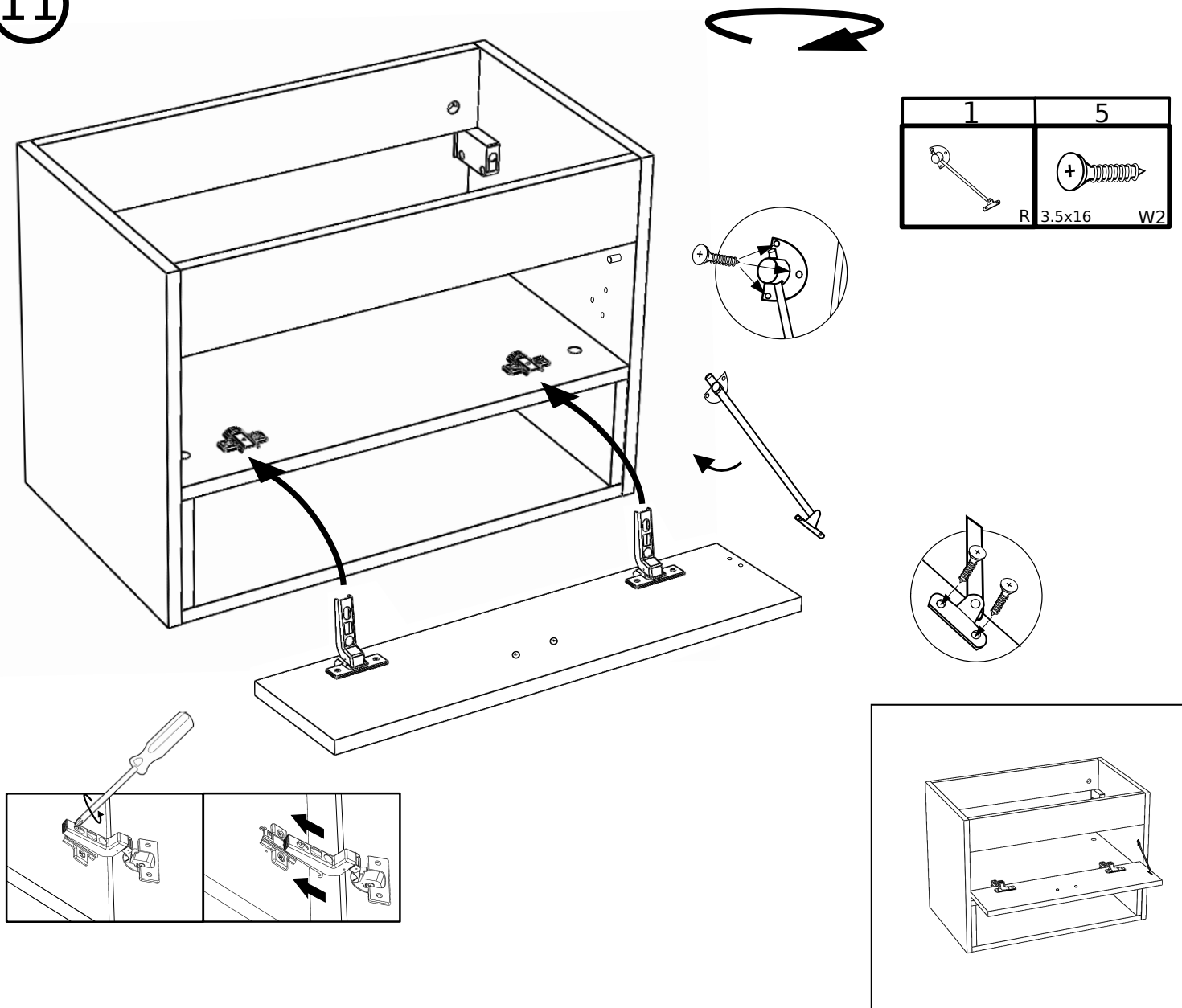
9



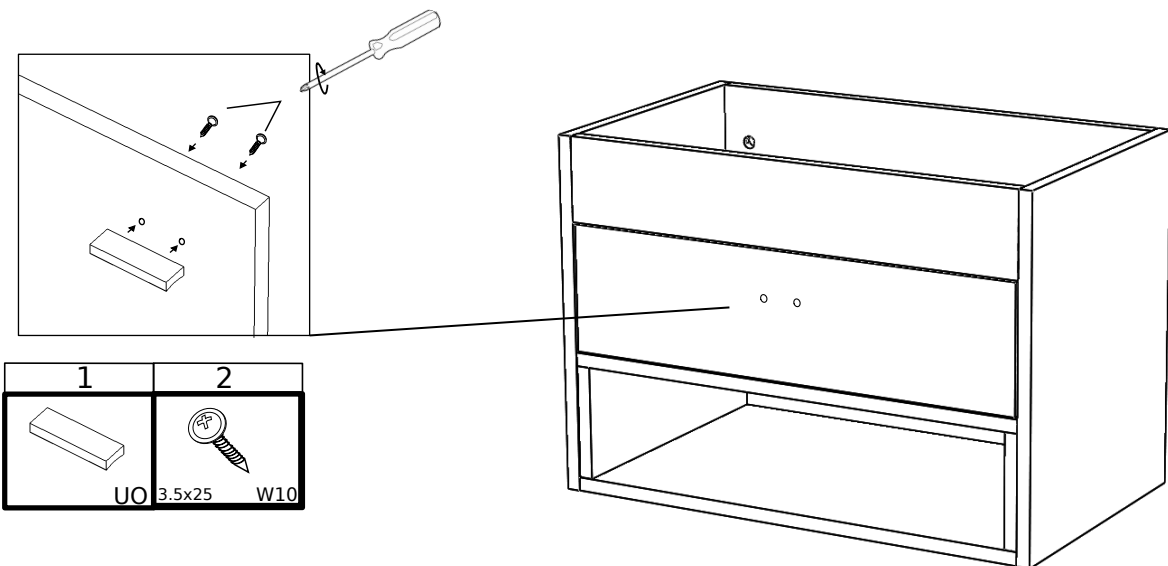
10

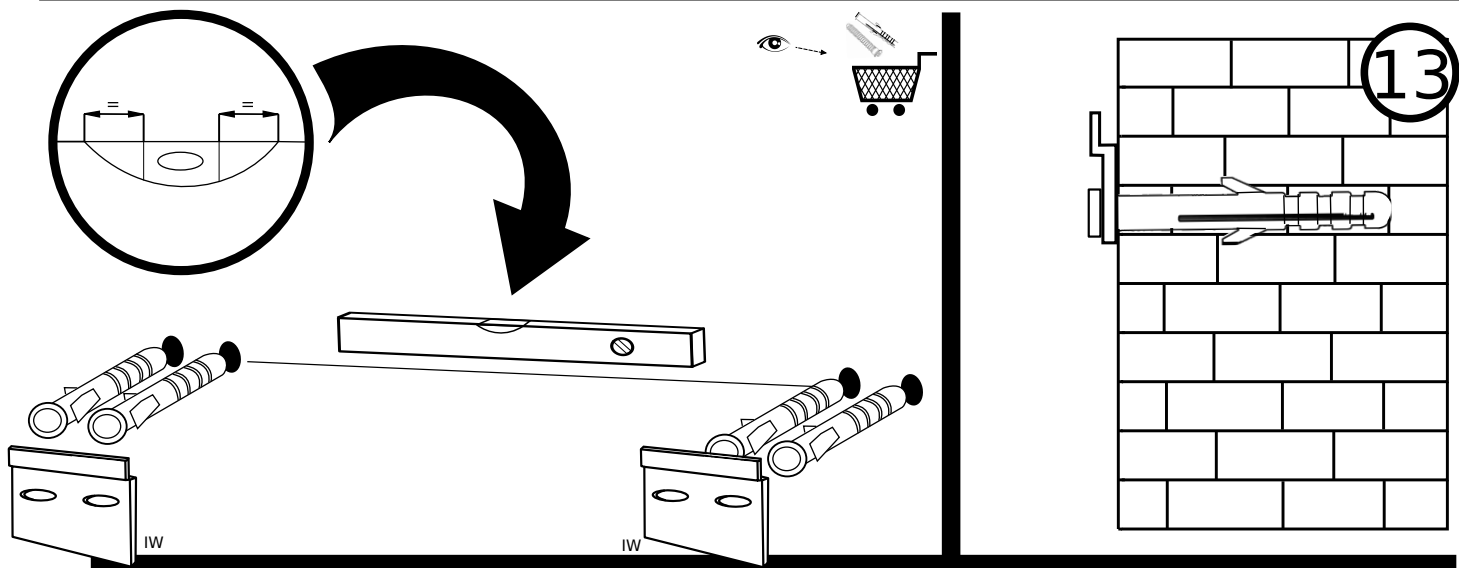


11

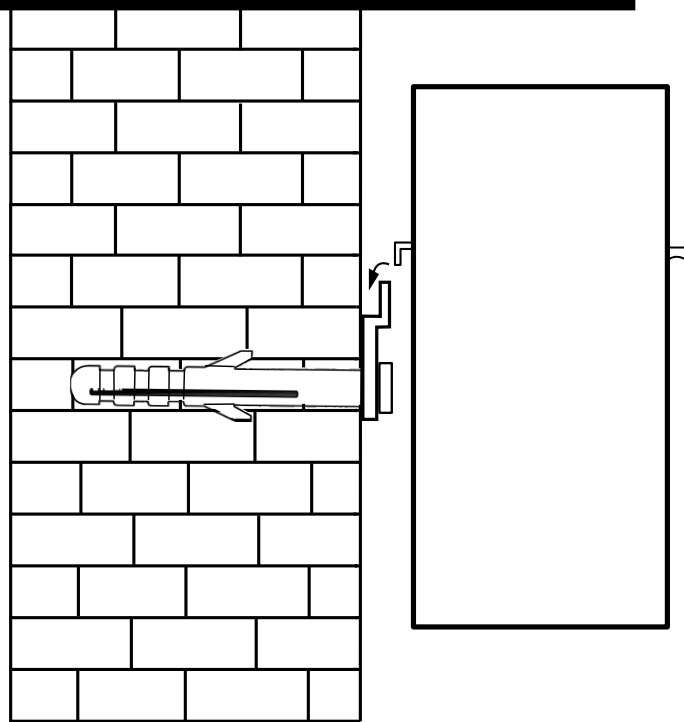
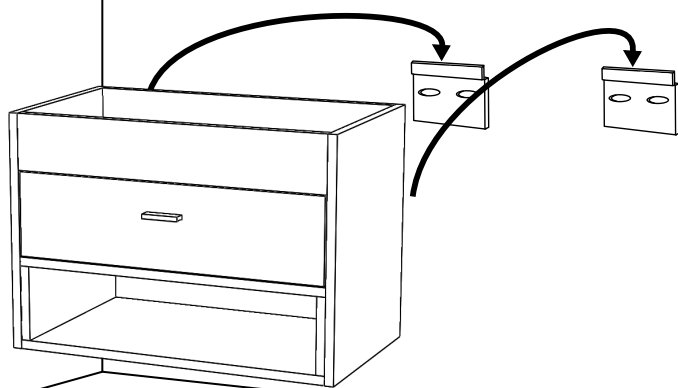


12

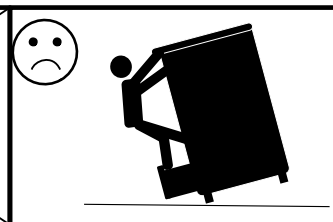
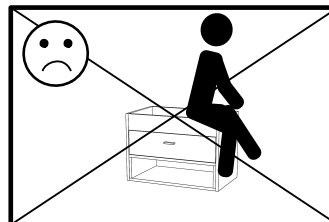
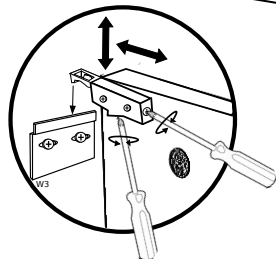
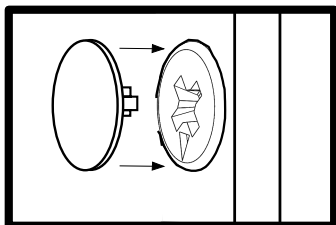
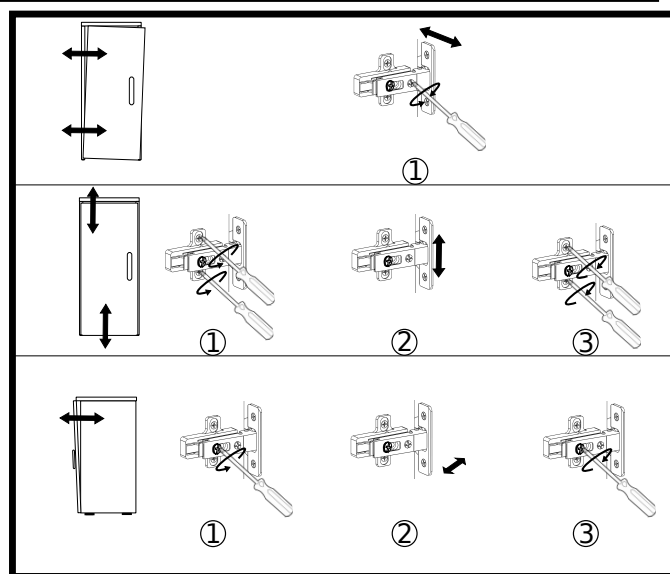
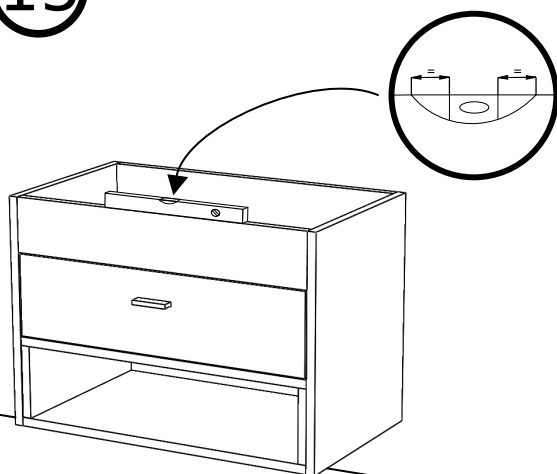




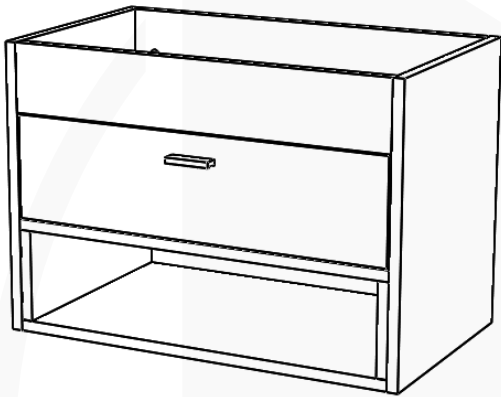
14



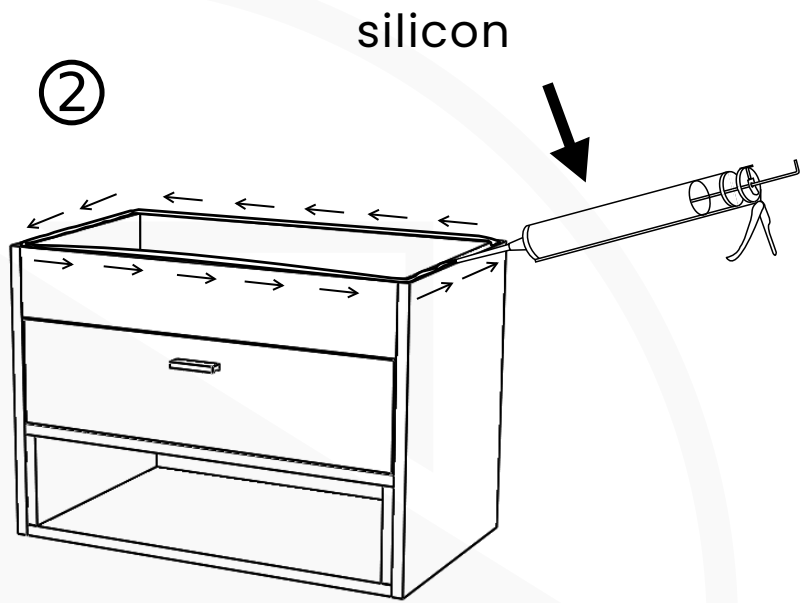
15



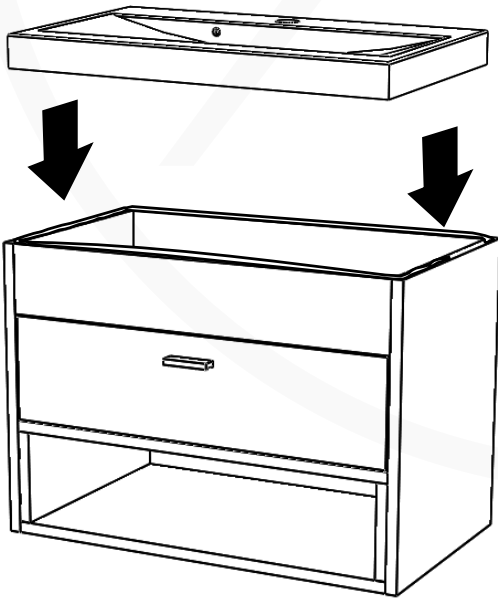
①



②



③



④

