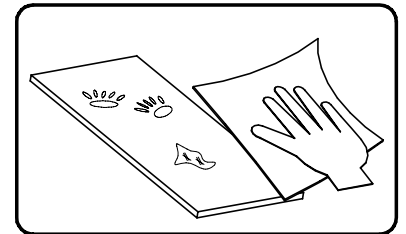
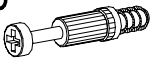

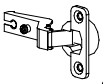

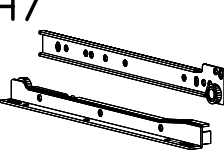



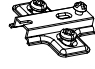





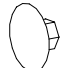
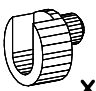

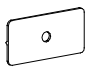
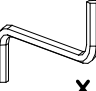

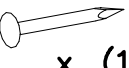
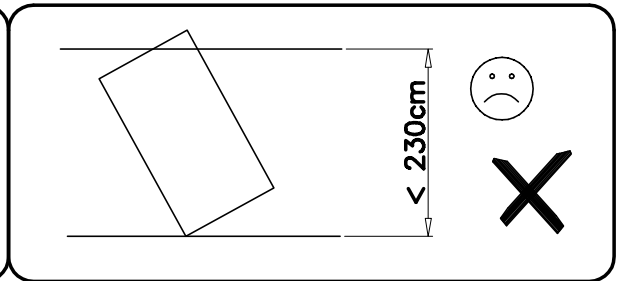
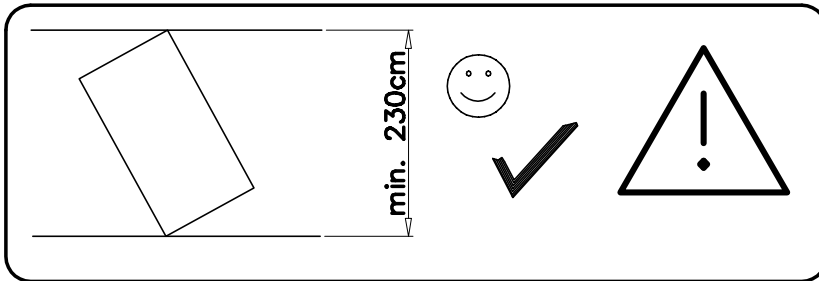
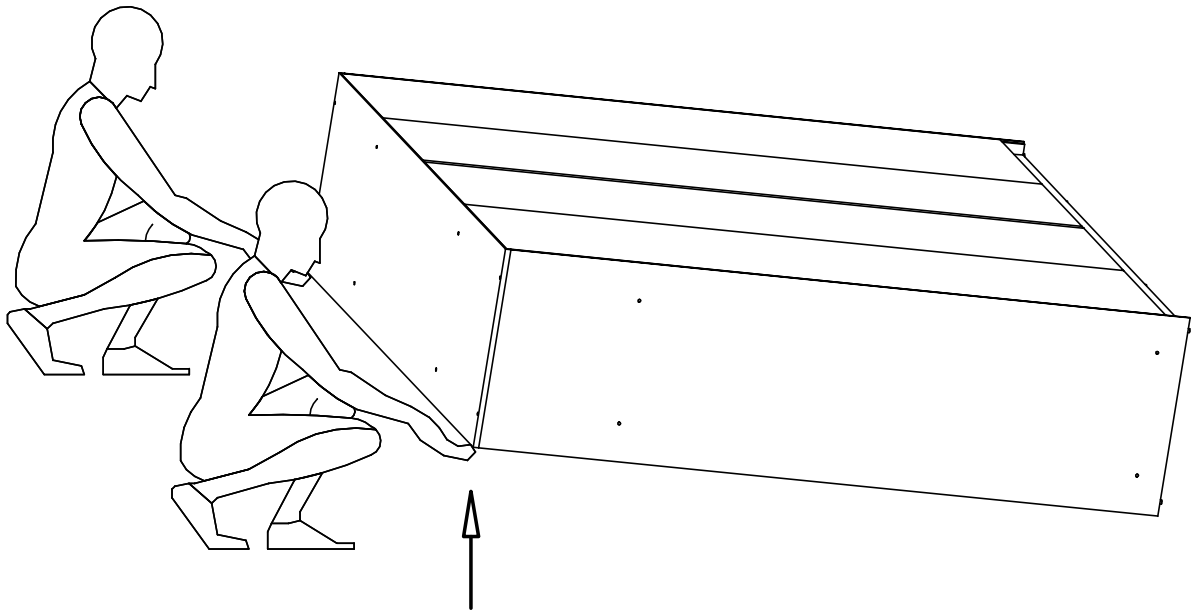


No.	L[mm]	W[mm]	T[mm]	Stc.	Colli
1	575	1960	16	1	2/3
2	571	1928	16	1	2/3
3	1980	575	16	1	1/3
4	1980	575	16	1	1/3
5	1894	571	16	1	1/3
6	1894	571	16	1	1/3
7	945	571	16	1	2/3
8	544	475	16	2	2/3
9	544	475	16	6	2/3
10	1928	70	16	2	2/3

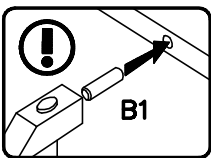
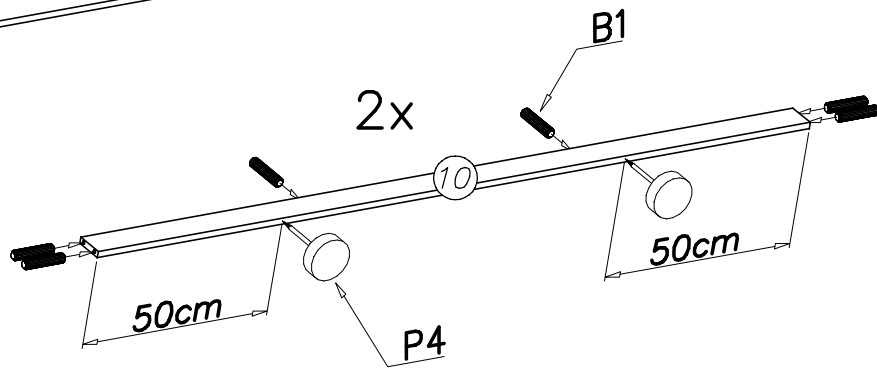
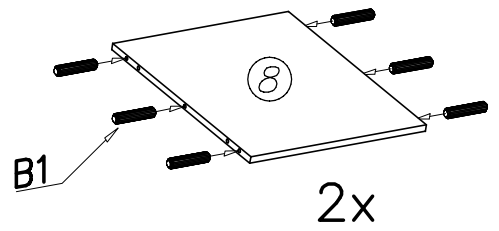
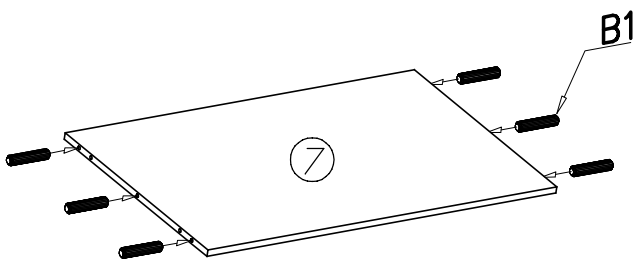
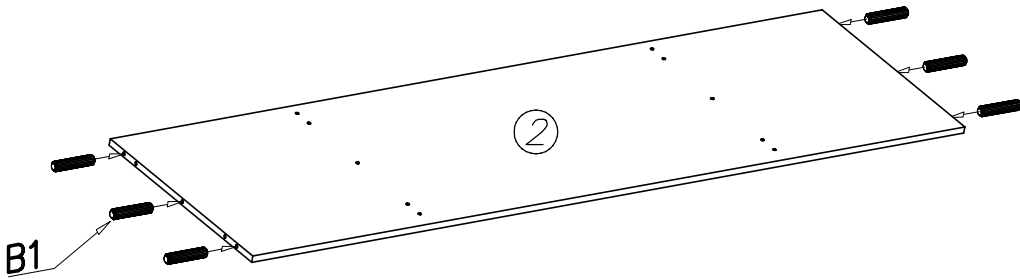
No.	L[mm]	W[mm]	T[mm]	Stc.	Colli
11	1920	480	3	2	1/3
12	1920	492	3	2	1/3
13	199	940	16	3	3/3
14	120	450	16	3	3/3
15	120	450	16	3	3/3
16	100	888	16	3	3/3
17	458	904	3	3	3/3
18	1888	469	16	1	3/3
19	1260	469	16	1	3/3
20	1260	469	16	1	3/3
21	1888	469	16	1	3/3



		K5  x...(6)	K1  ø15x12 x...(6)	C4  Z350D x...(12)	E17  x...(6)
H7  x...(3)	A1  ø7x50 x...(34)	G29  6x11 x...(12)	F1  x...(26)	D4  PZ350D x...(12)	I9  x...(34)
	G4  4x16 x...(24)	S1  x...(1)	S5  x...(1)	G6  3x13 x...(24)	I12  x...(6)
S4  x...(2)	B1  ø8x35 x...(78)	S17  x...(24)	W2  x...(1)	P4  x...(8)	W4  x...(130)

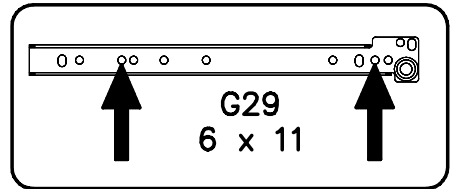
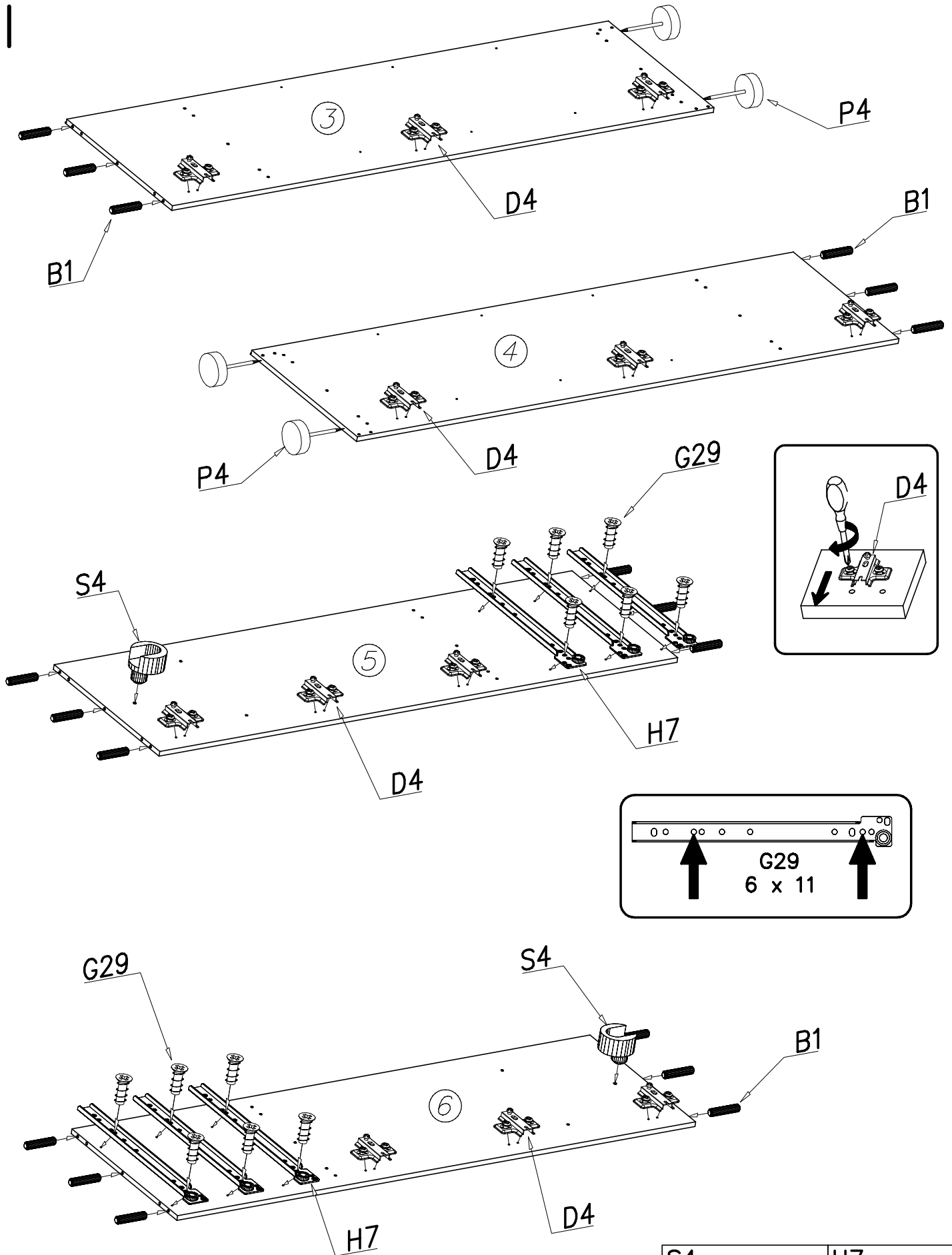



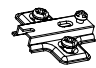

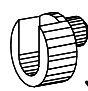
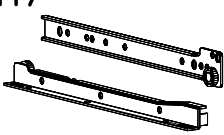
I



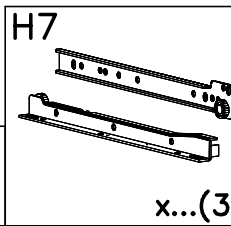
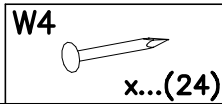
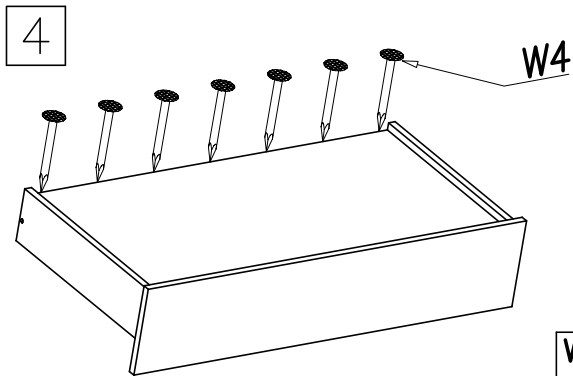
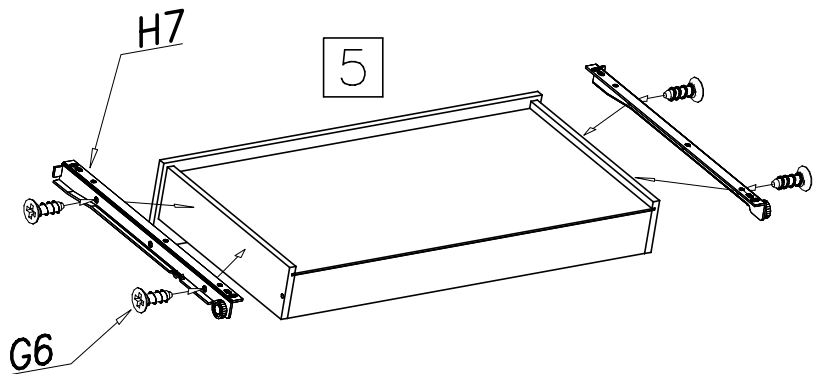
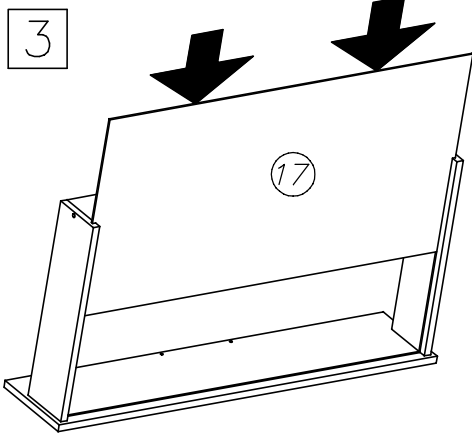
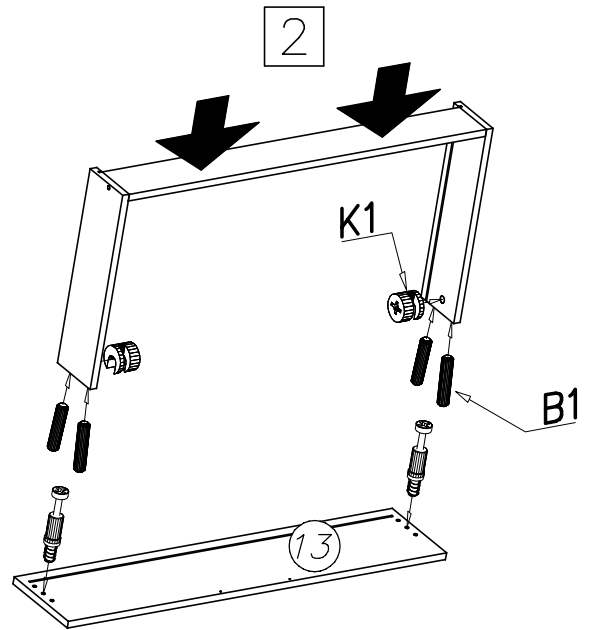
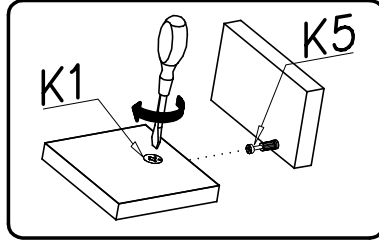
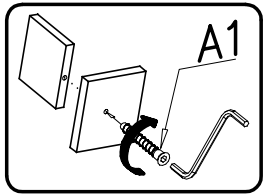
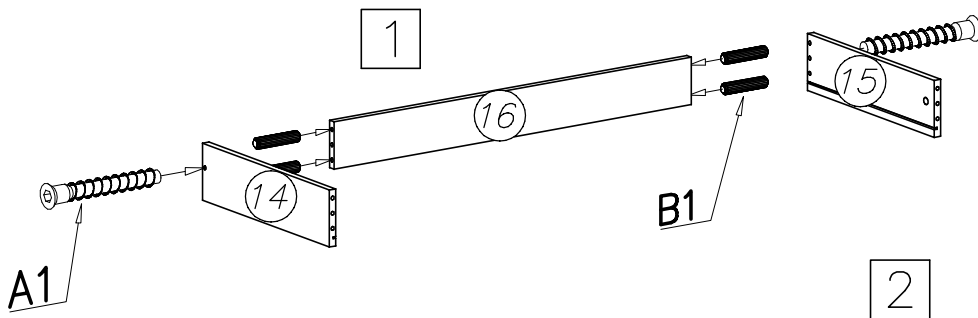
P4		x...(4)
B1		x...(36)
		ø8x35

II



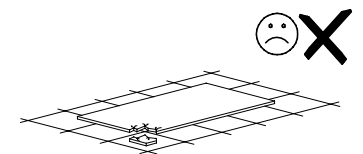
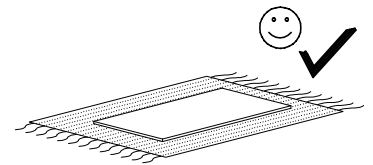
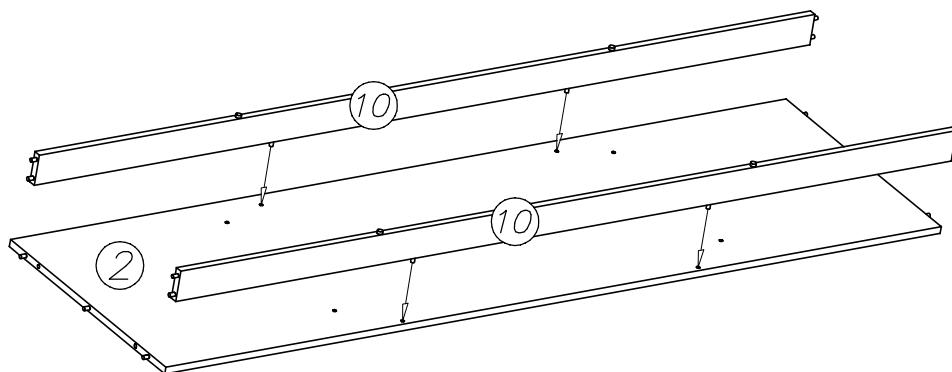
<p>P4</p>  <p>x...(4)</p>	<p>D4</p>  <p>PZ350D x...(12)</p>	<p>B1</p>  <p>Ø8x35 x...(18)</p>	<p>S4</p>  <p>x...(2)</p> <p>H7</p>  <p>x...(3)</p>
--	--	---	---

III x3

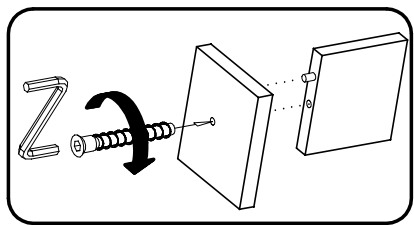
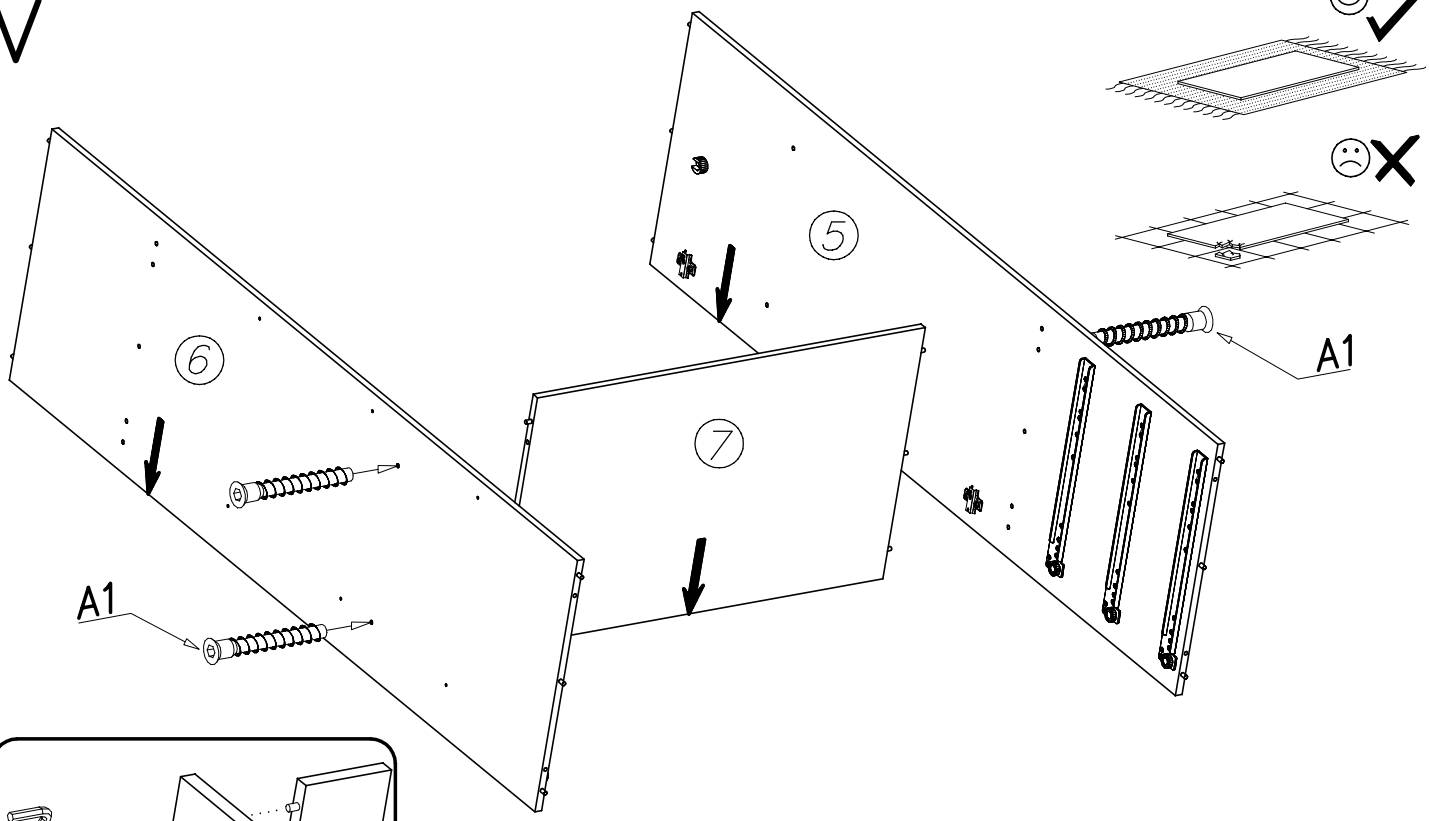


G6		W2	
3x13	x...(12)		x...(1)
A1		K1	
Ø7x50	x...(6)	Ø15x12	x...(6)
B1		K5	
Ø8x35	x...(24)		x...(6)

IV

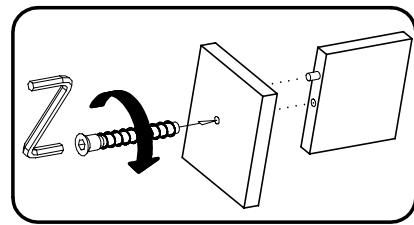
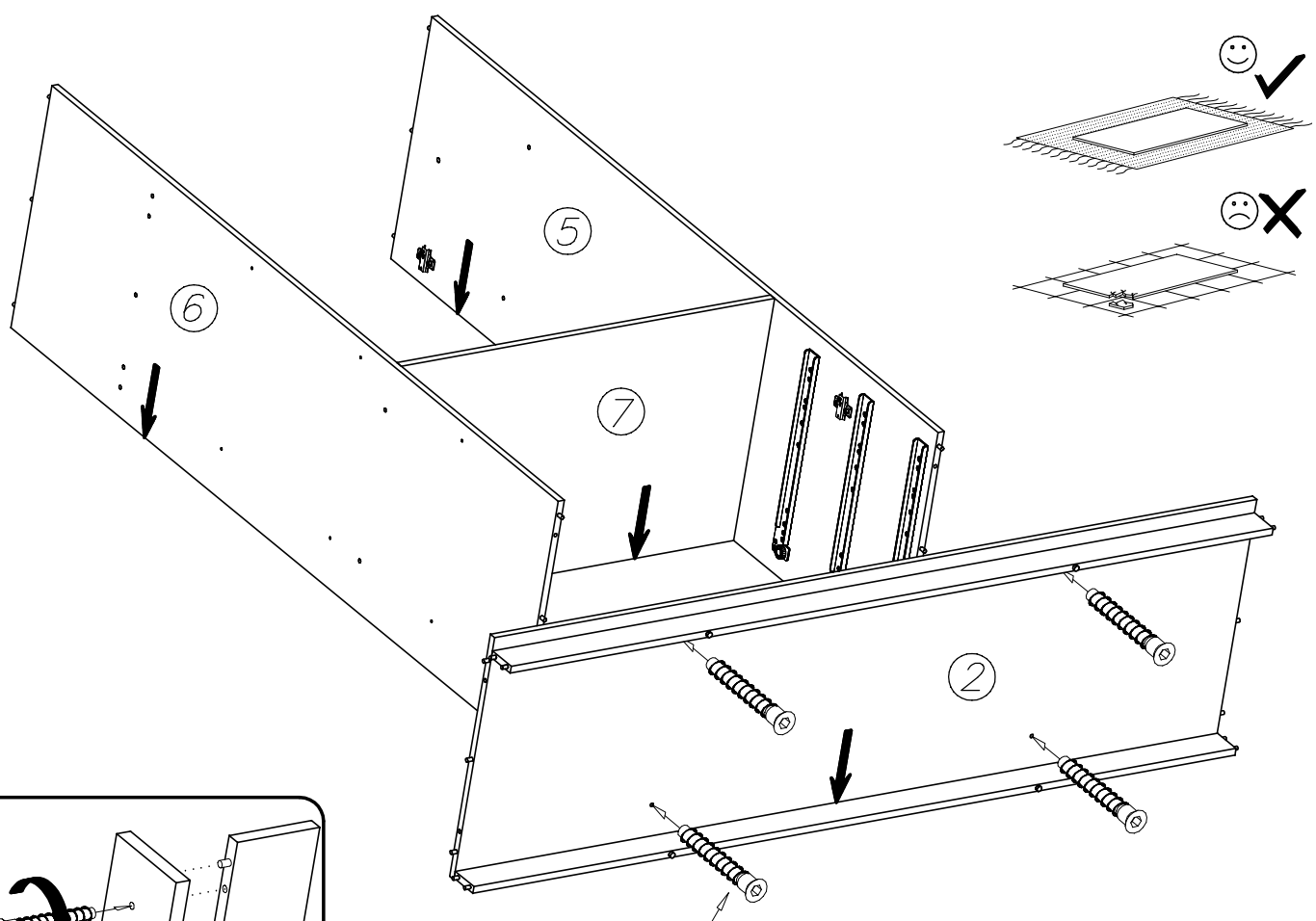


V



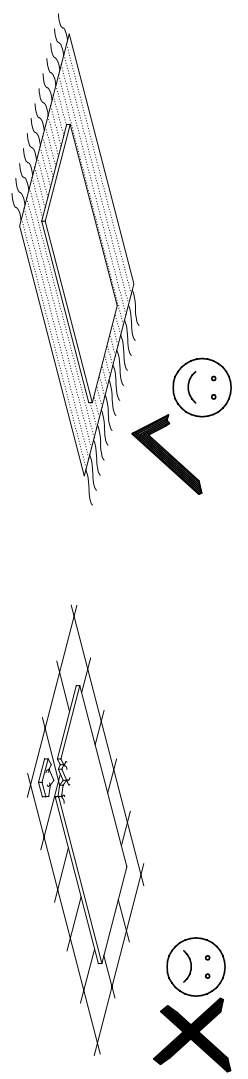
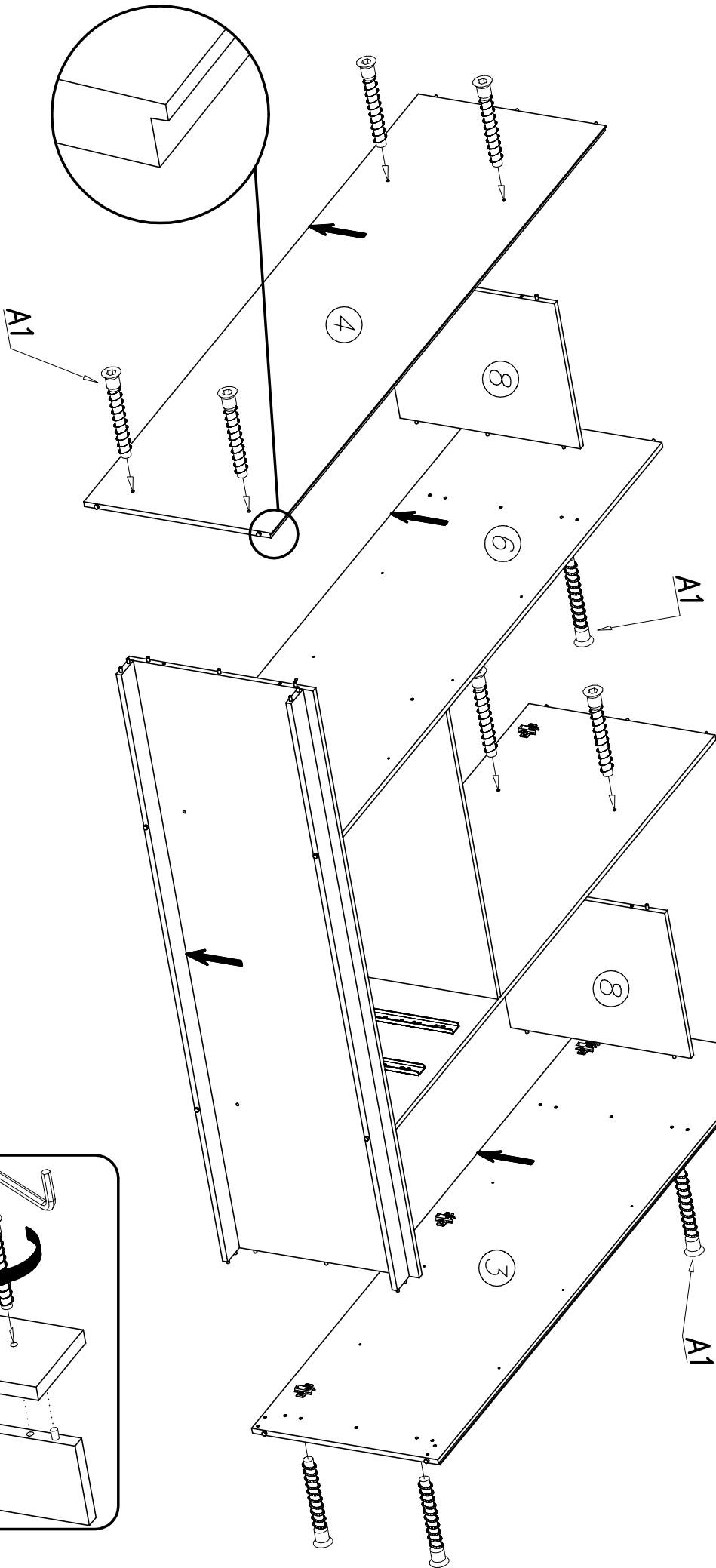
W2		A1	
	x...(1)	ø7x50	x...(4)

VI

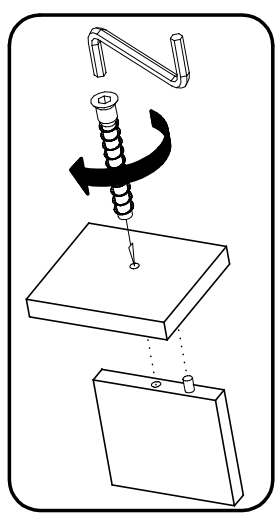


W2		A1	
	x...(1)	ø7x50	x...(4)

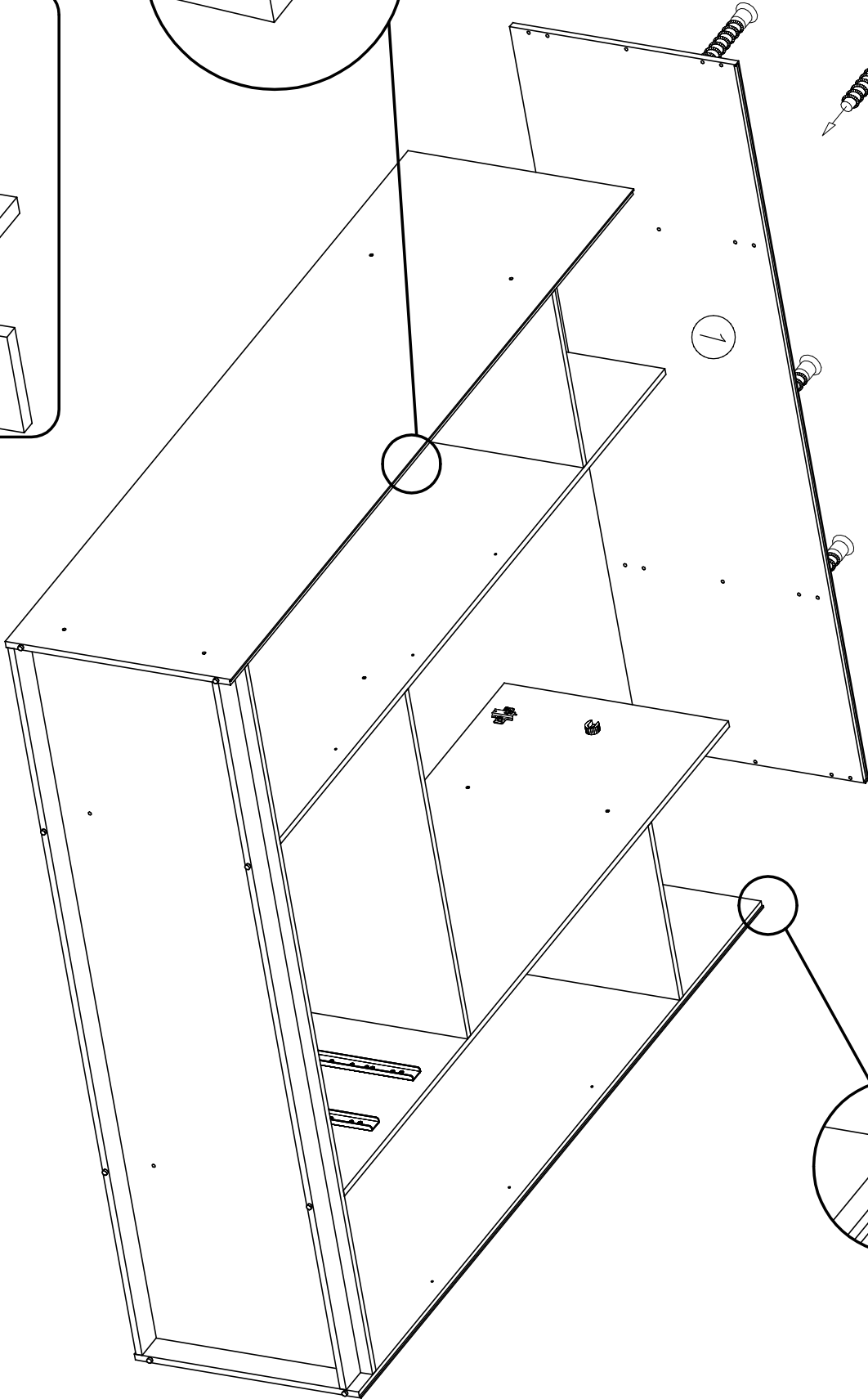
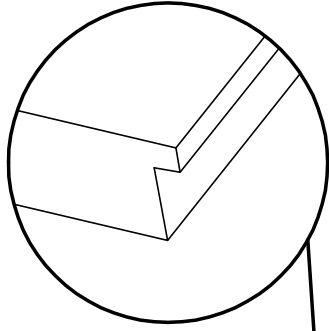
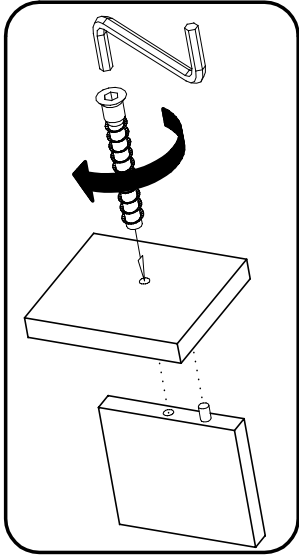
VII



- | | |
|---------|----------|
| W2 | A1 |
| | |
| x...(1) | x...(12) |



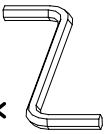
VIII



A1

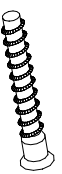
1

W2



x... (1)

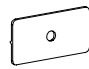
A1

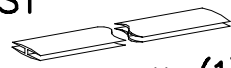


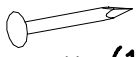
ø7x50

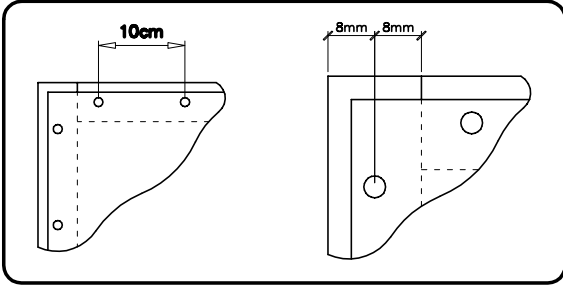
x... (8)

IX

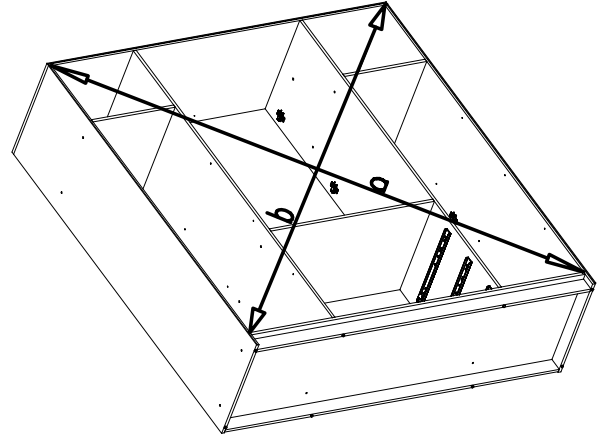
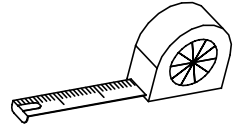
S17  x...(24)


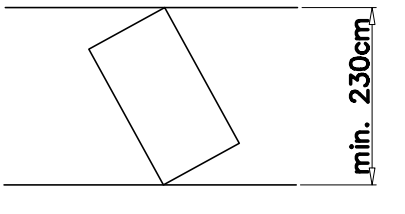
S1  x...(1)

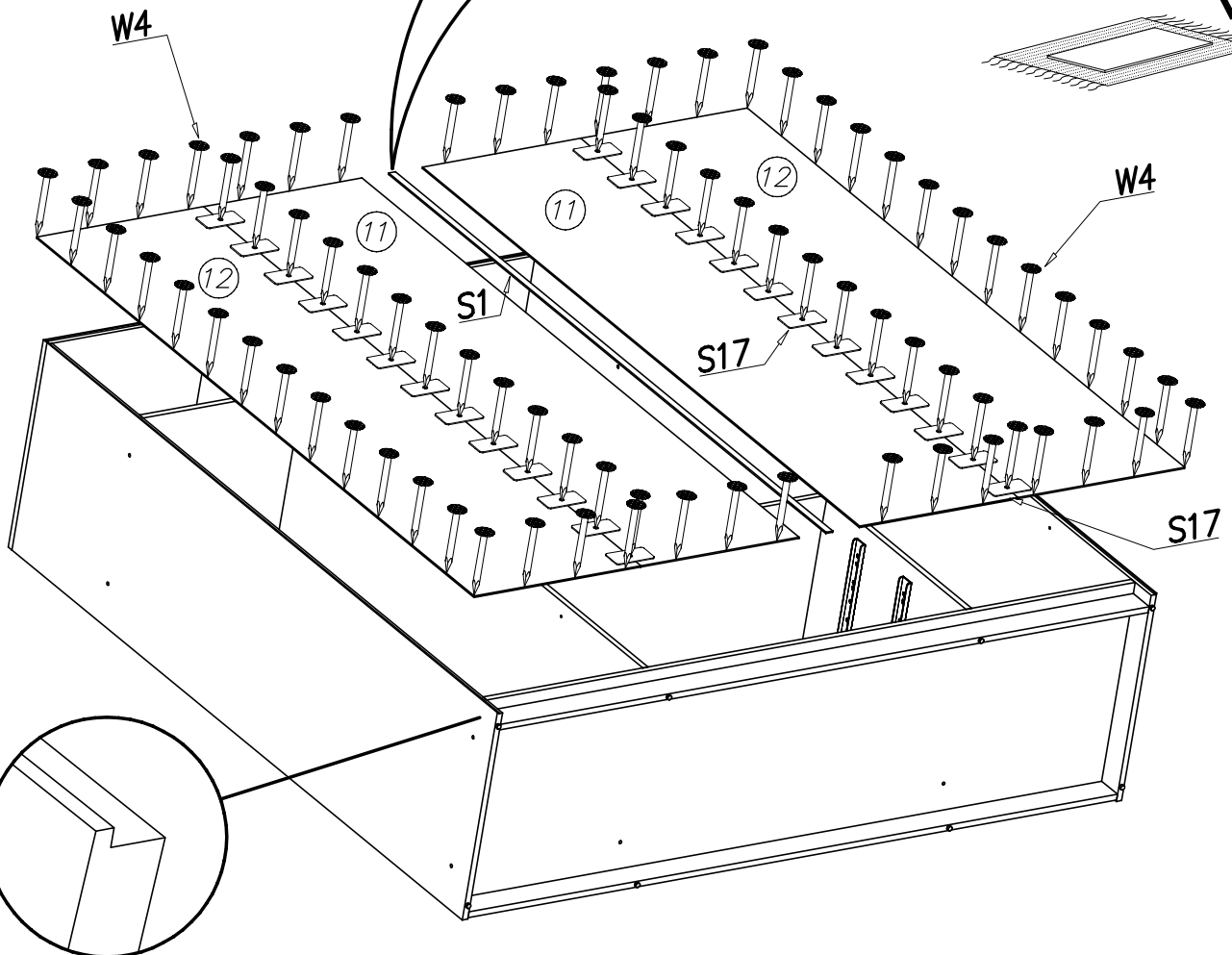
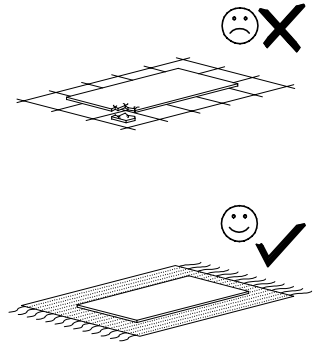
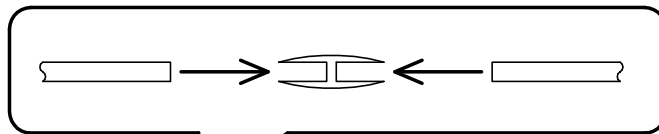
W4  x...(106)



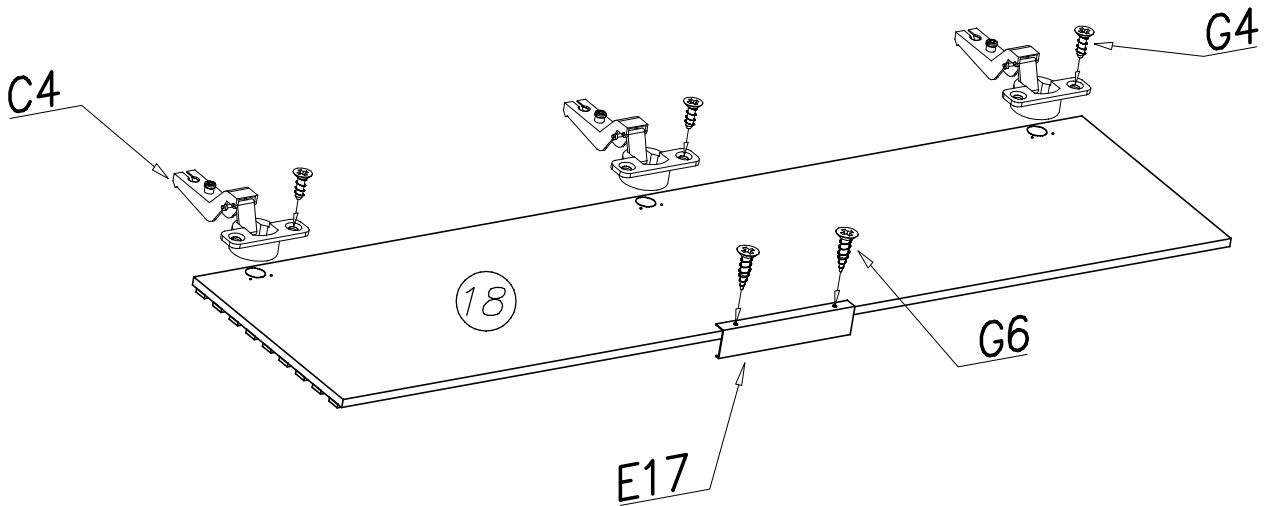
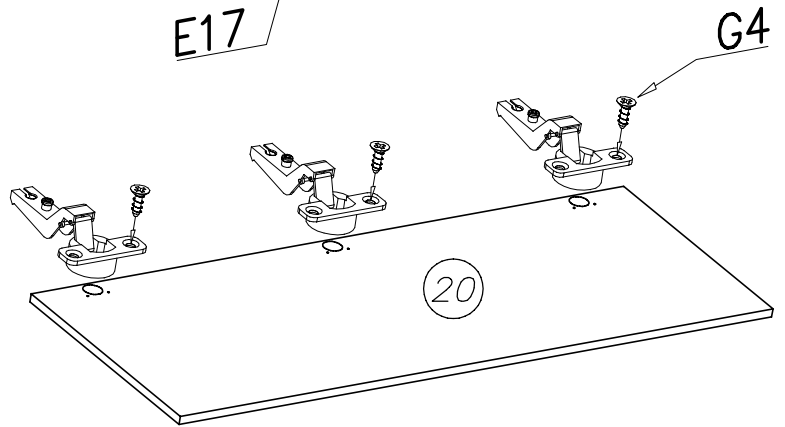
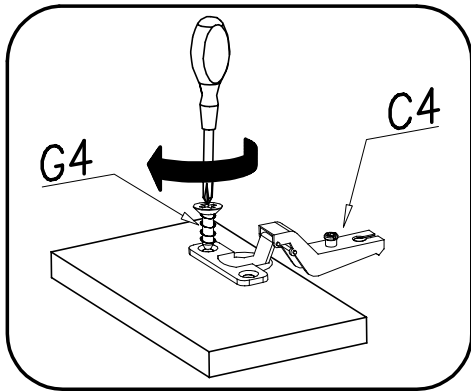
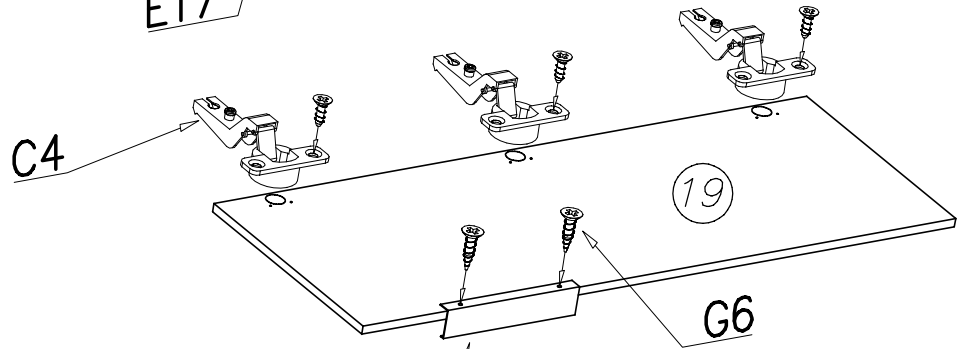
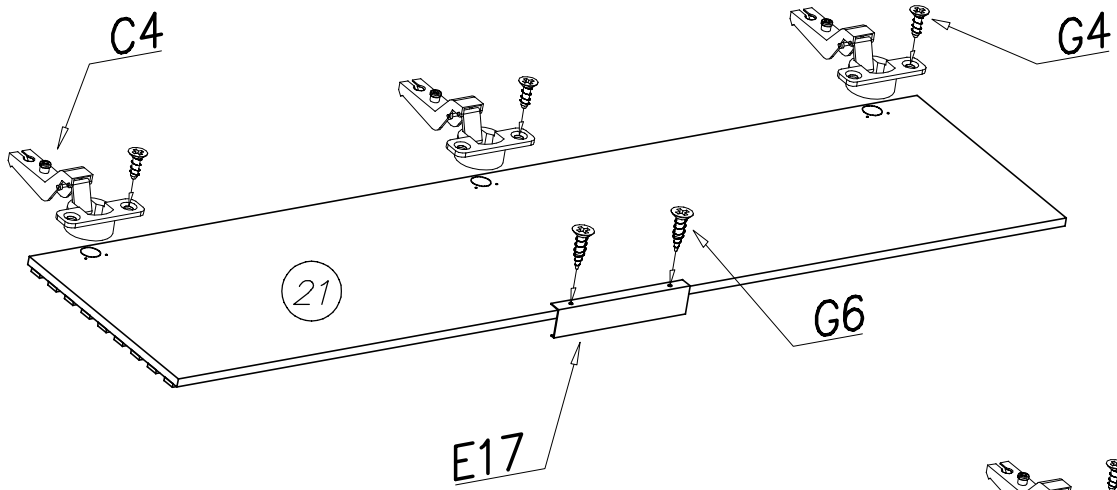
$a = b$


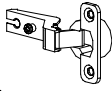




  min. 230cm

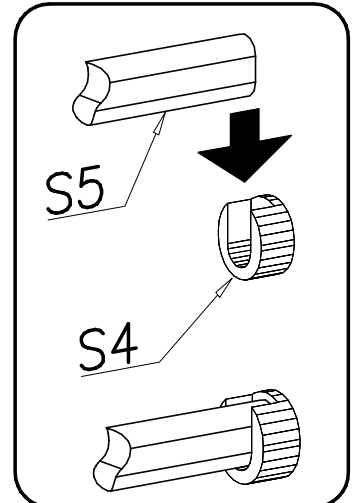
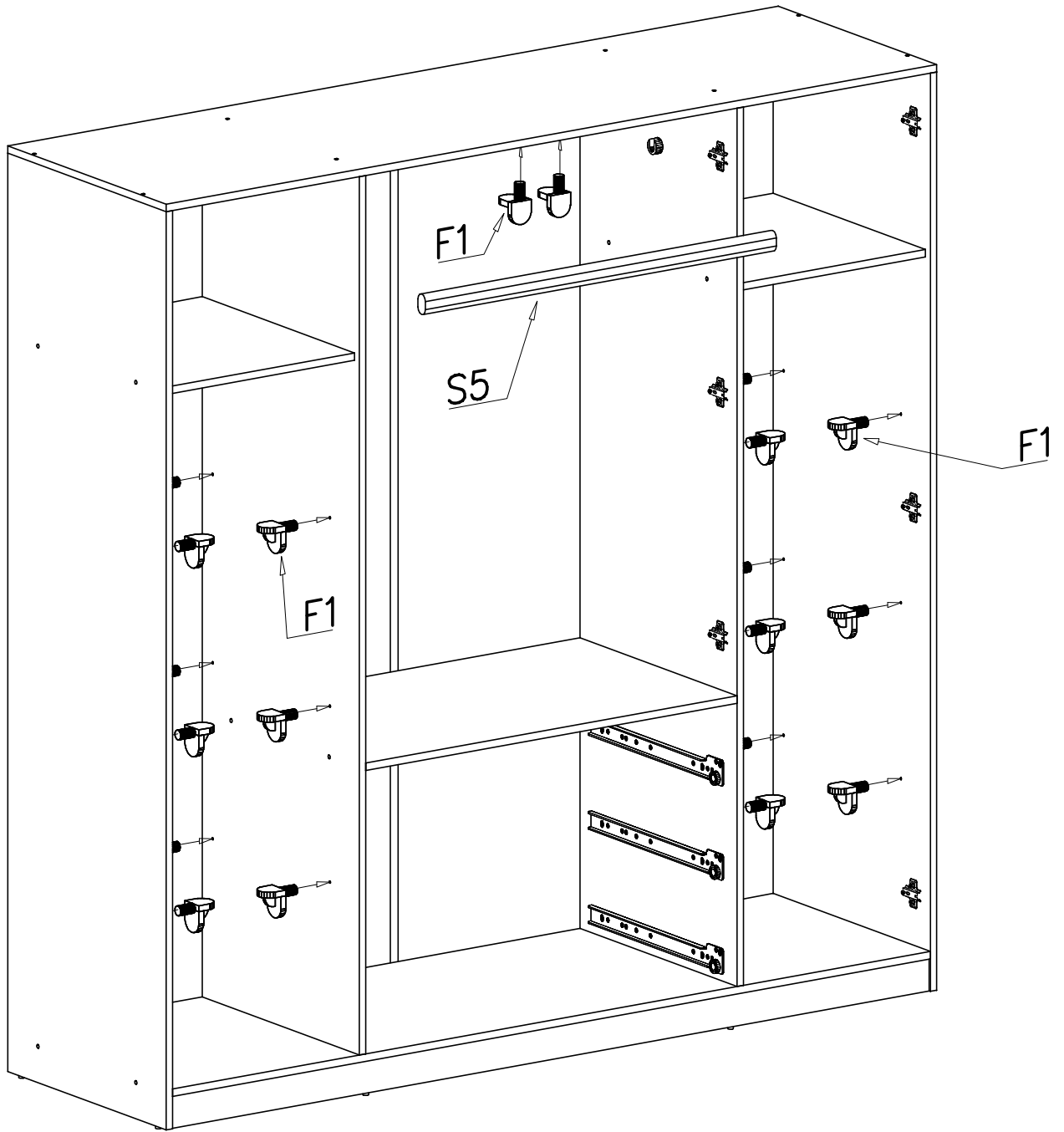


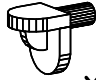

X



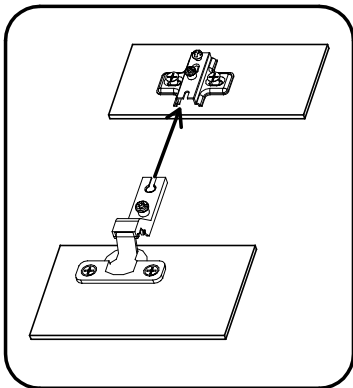
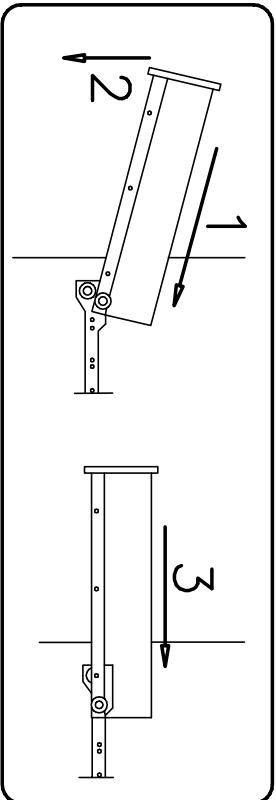
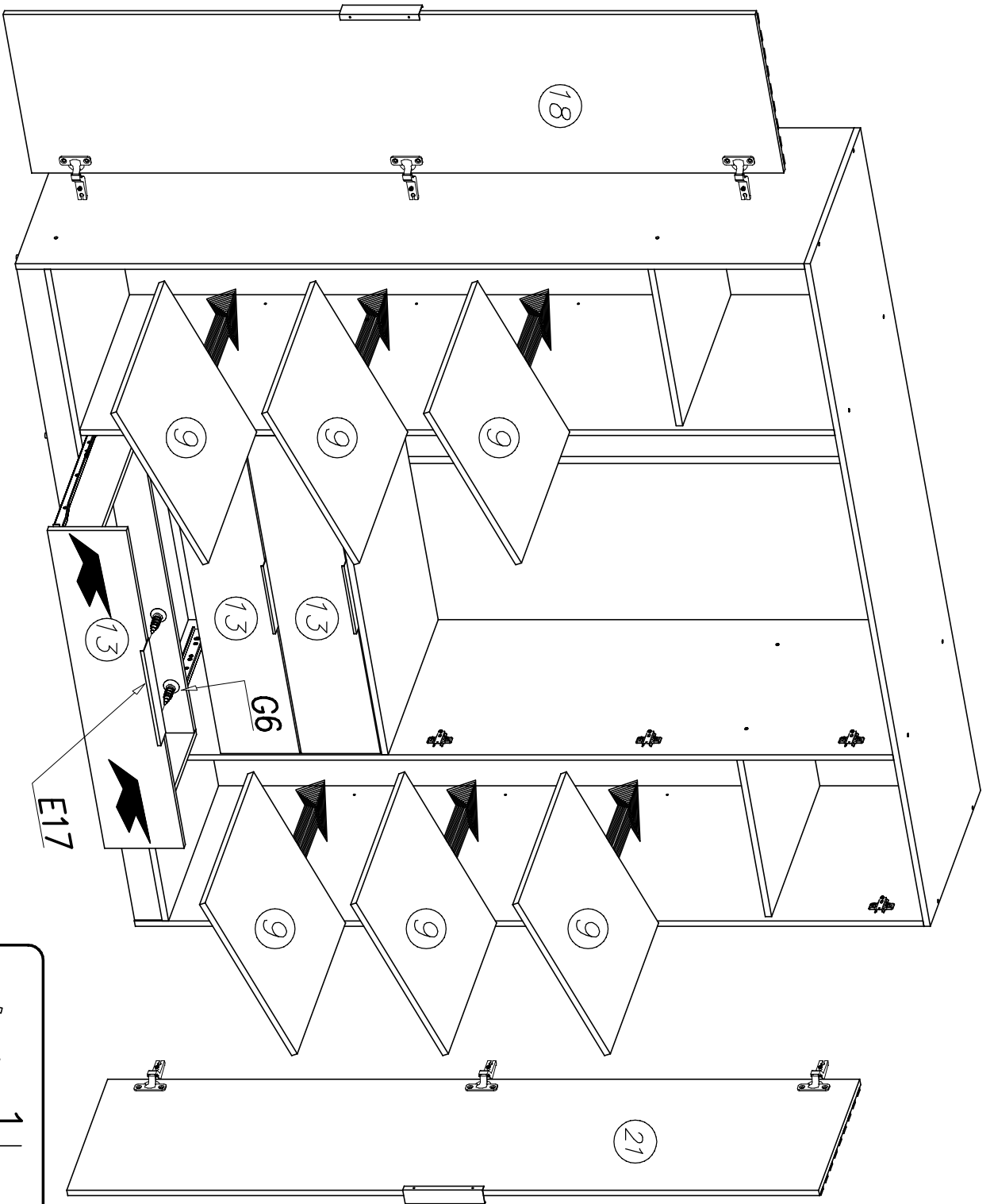
G4 4x16 	C4 Z350D 	G6 3x13 	E17 
x...(24)	x...(12)	x...(6)	x...(3)

XI



<p>F1</p>  <p>x...(26)</p>	<p>S5</p>  <p>x...(1)</p>
--	--

XII



G6
3x13
X...(6)

E17
X...(3)

XIII

