









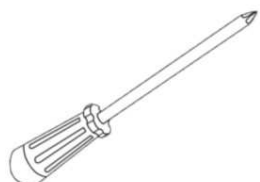
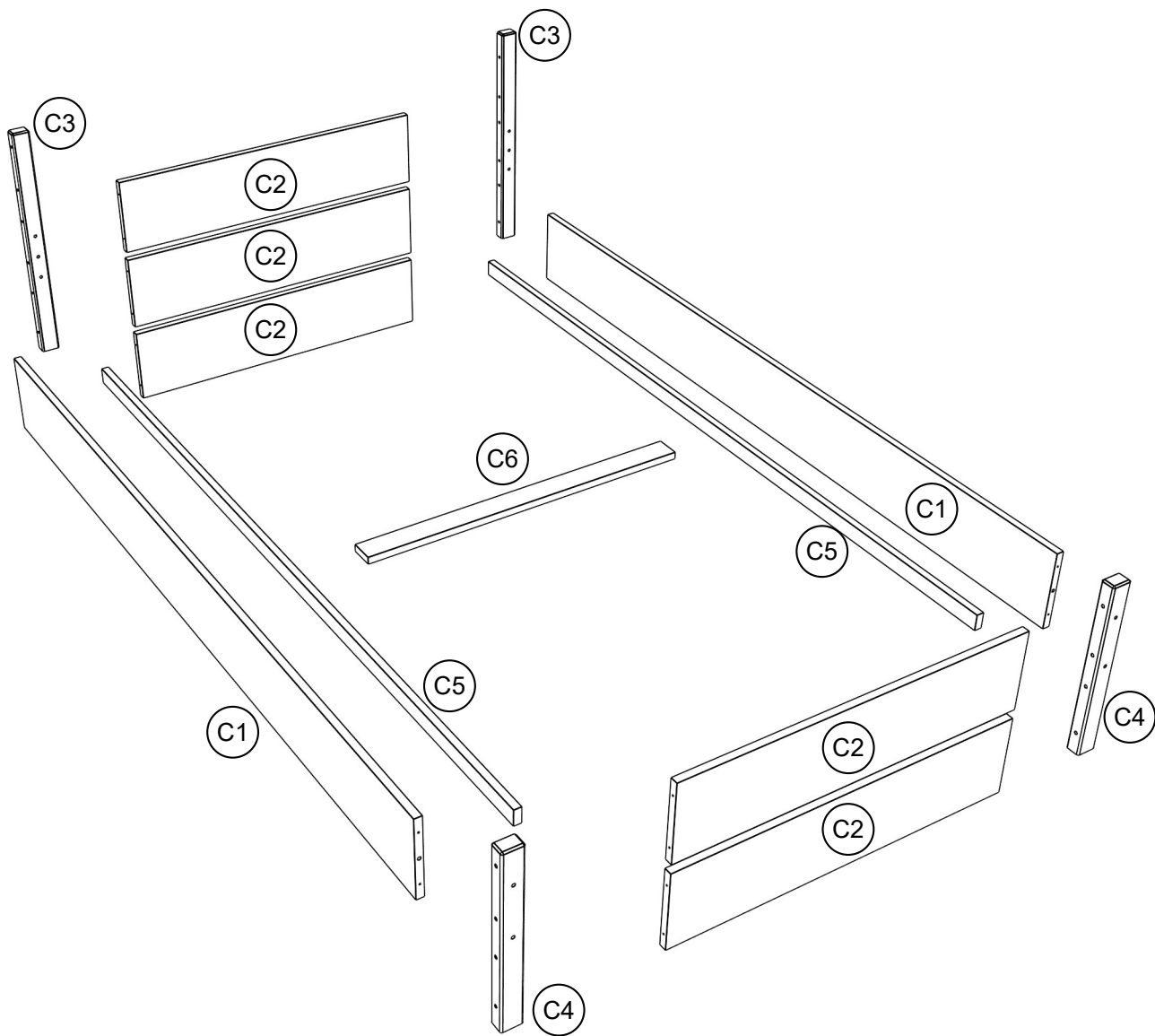


S1	7x85		x20
S2	7x70		x8
S3	4x30		x20
S4	3,5x20		x16
S5			x4
S6			x2
S7			x4
S8			x20/26/28/30*
S9			x1
S10			x28

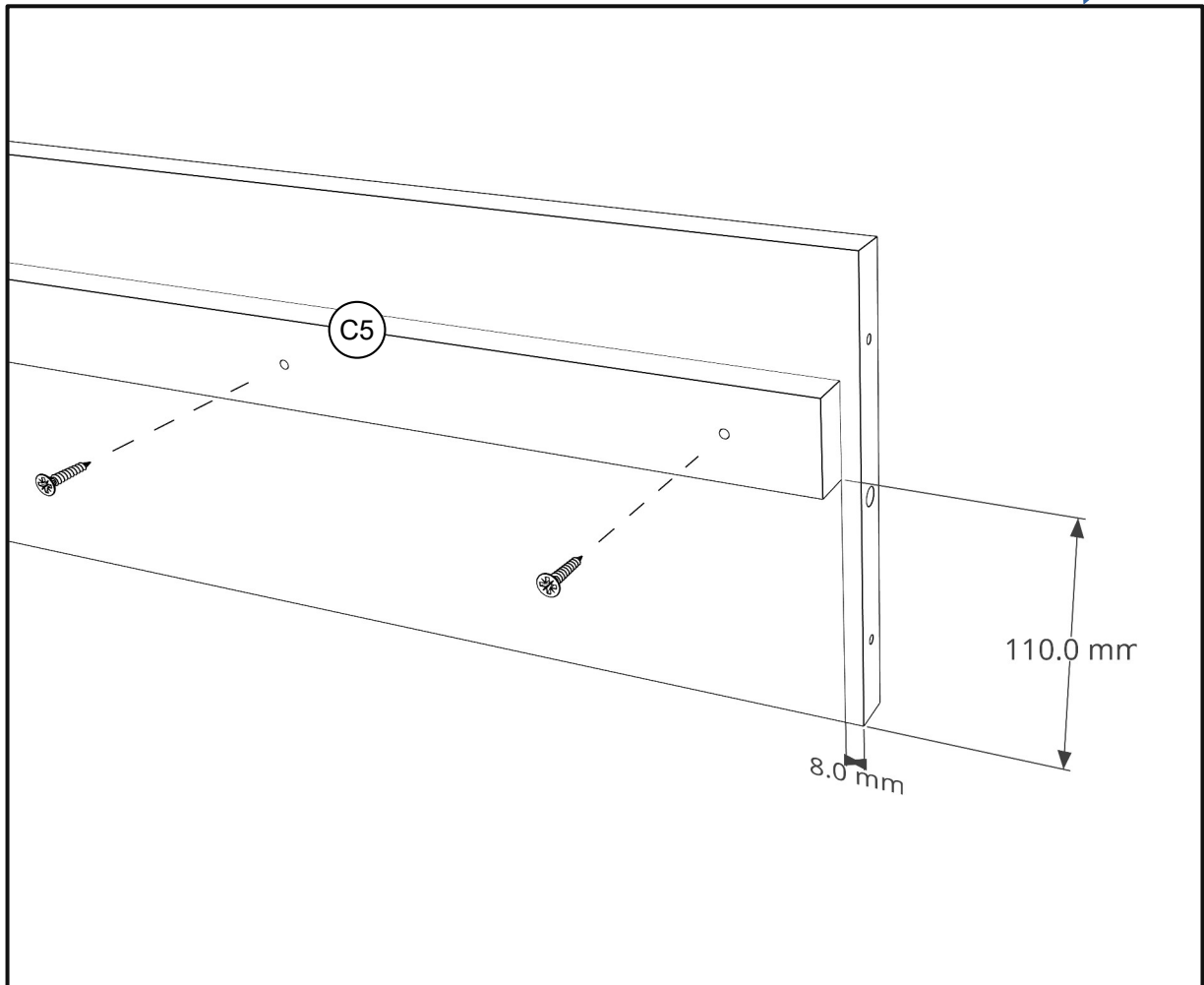
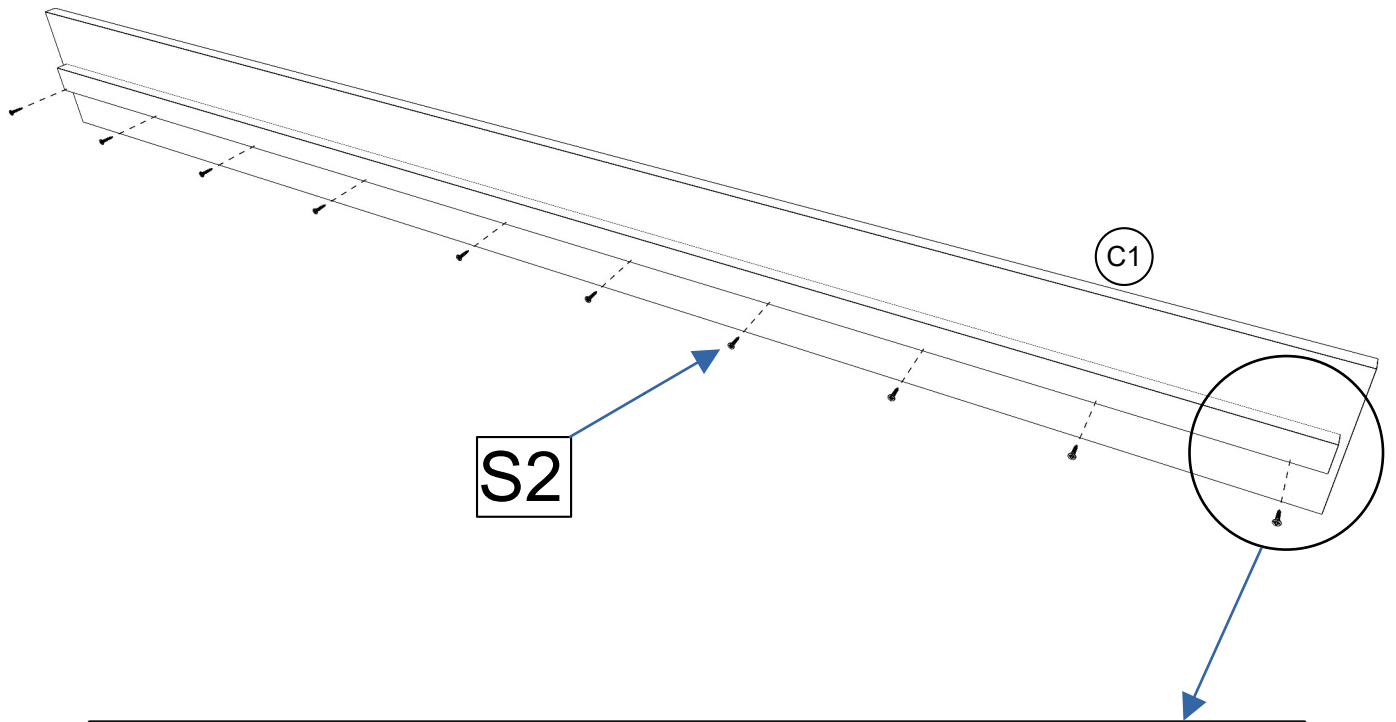




C1	2x
C2	5x
C3	2x
C4	2x
C5	2x
C6	1x

1

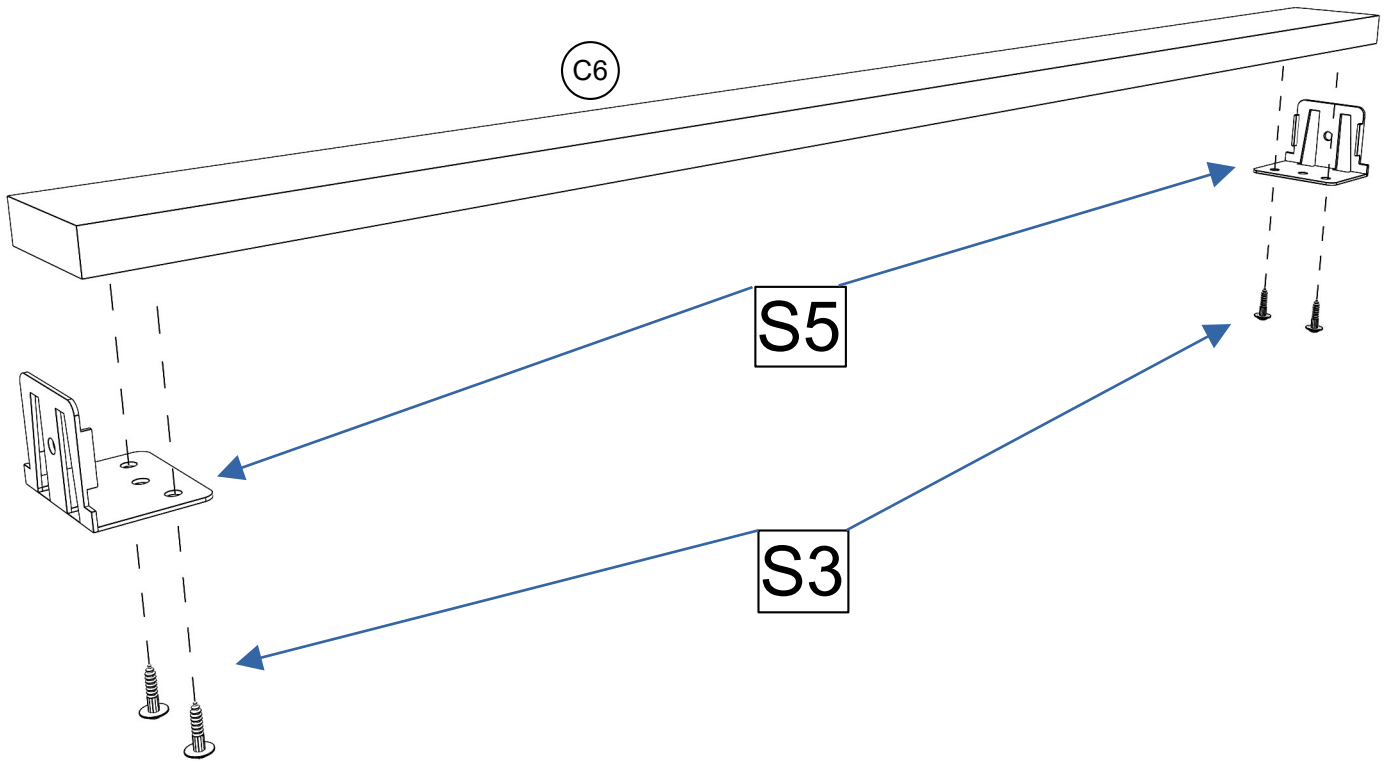
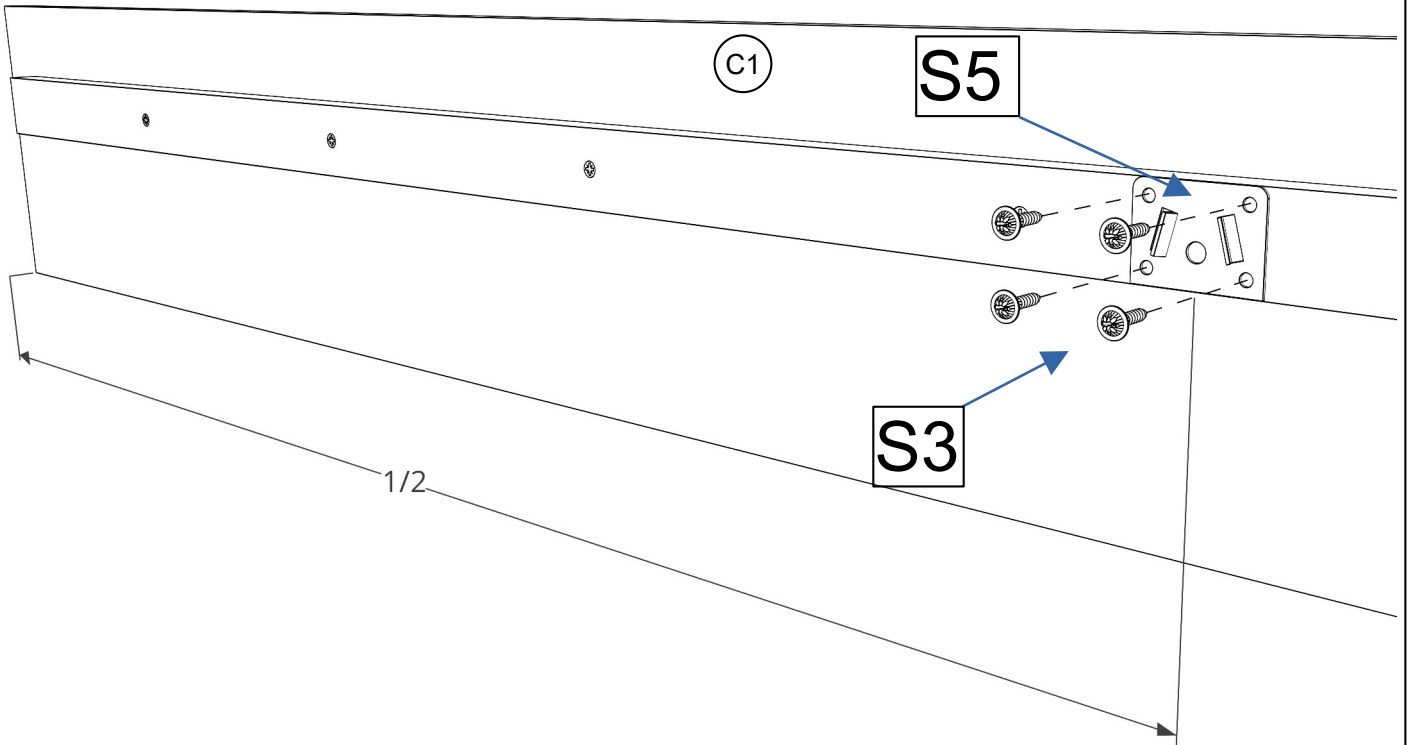
S2 x 20



2

S3 x 12 

S5 x 2 

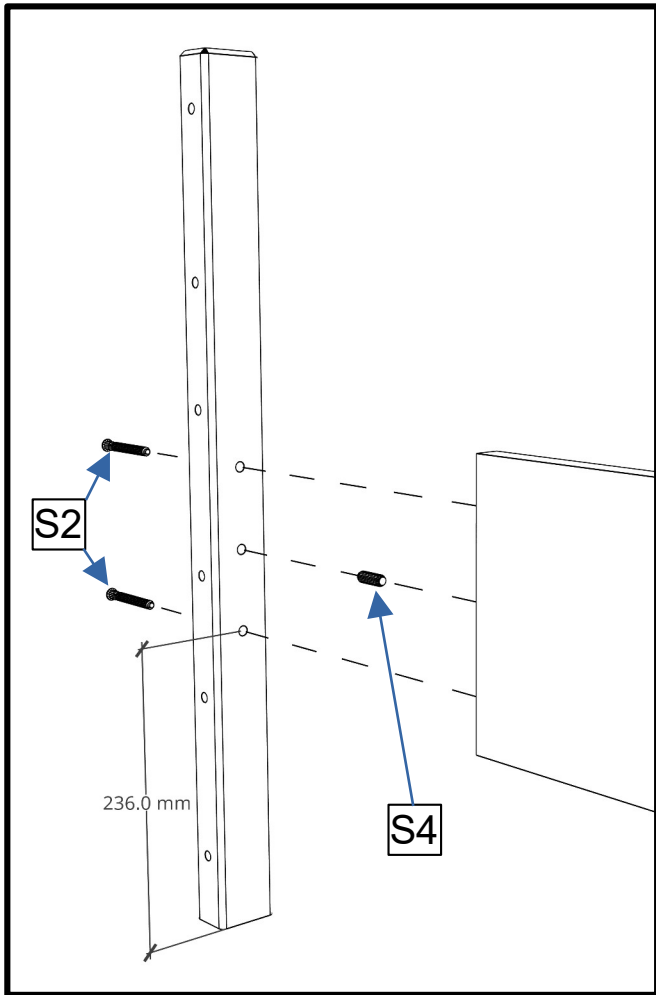
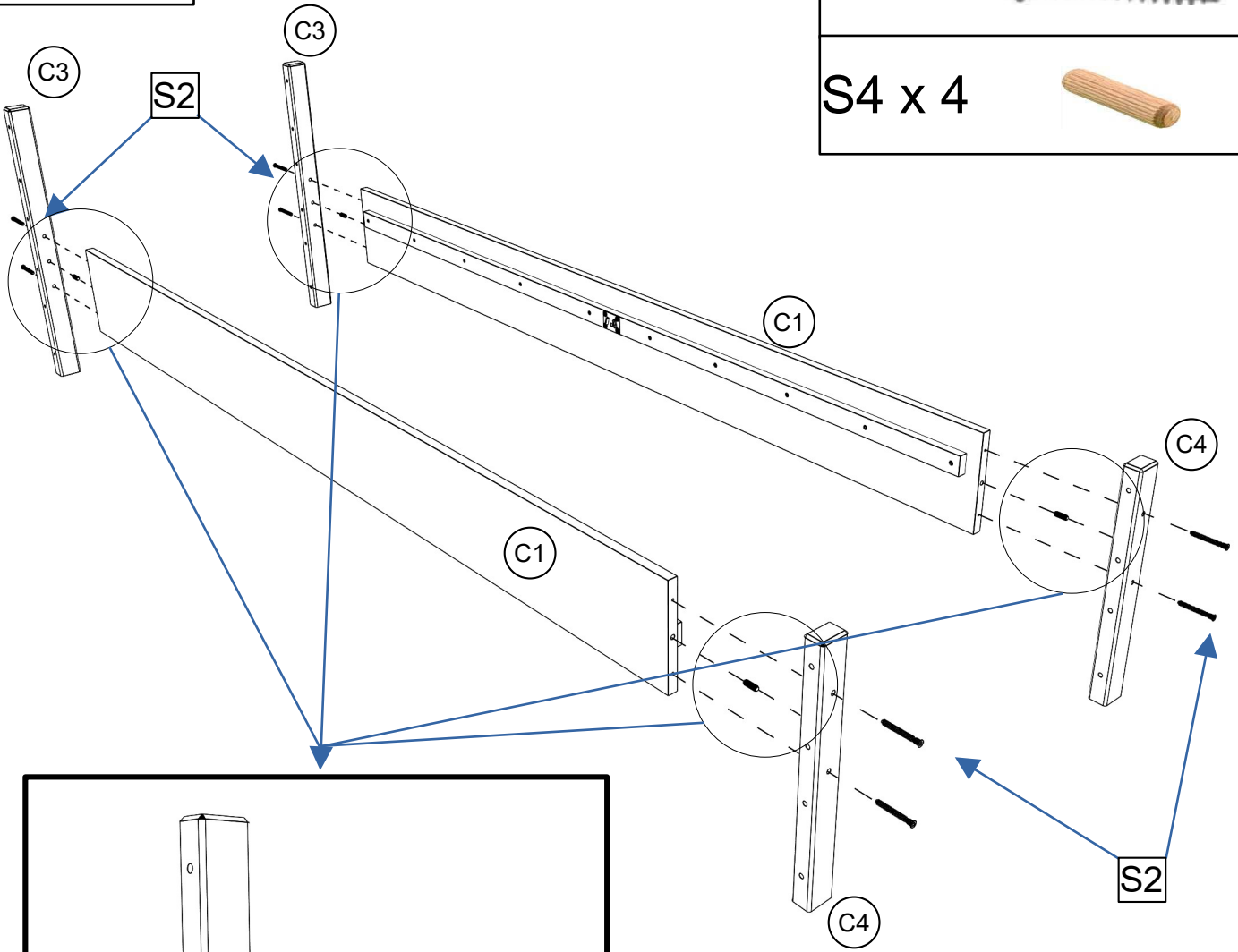


3

S2 x 8

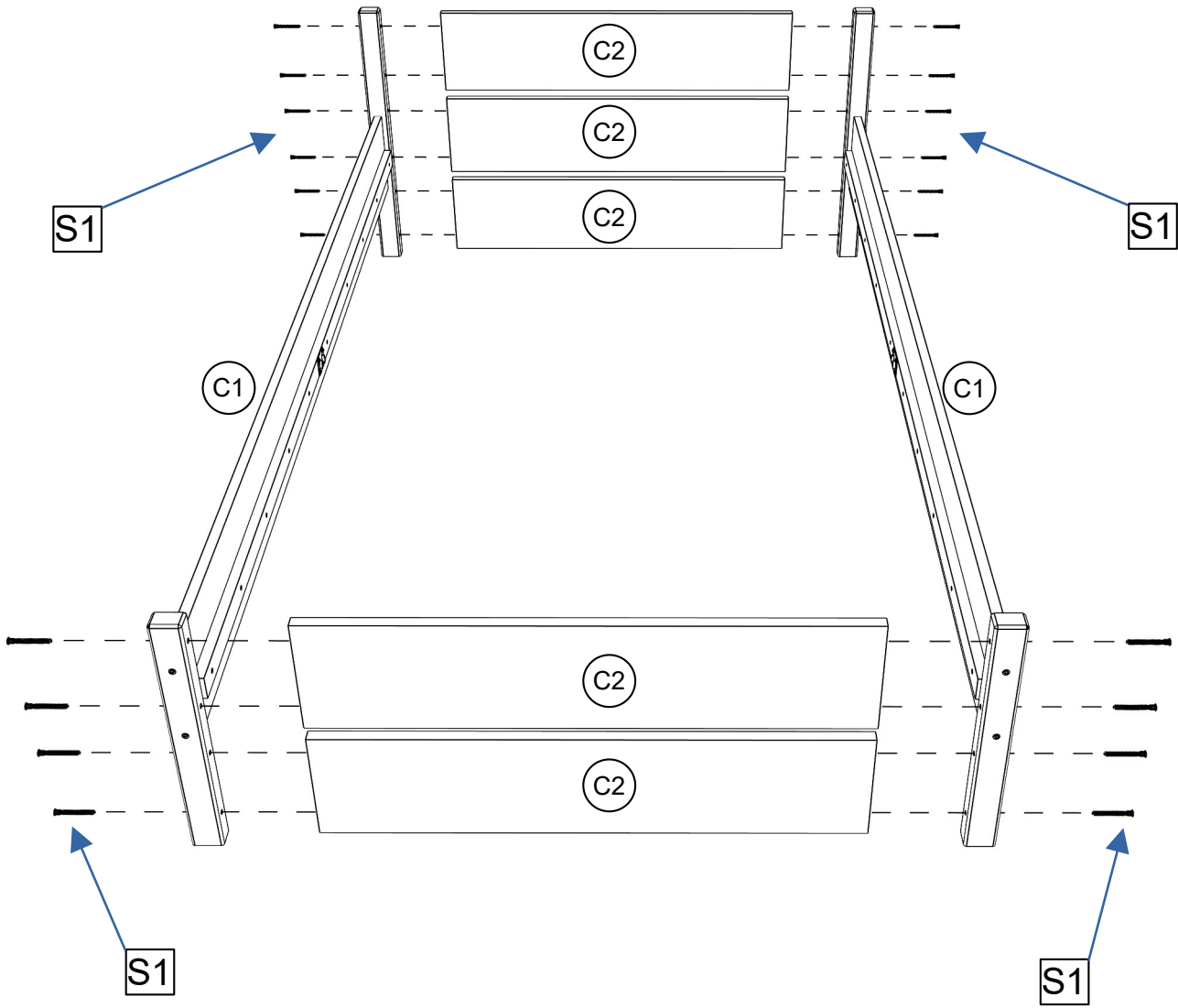


S4 x 4

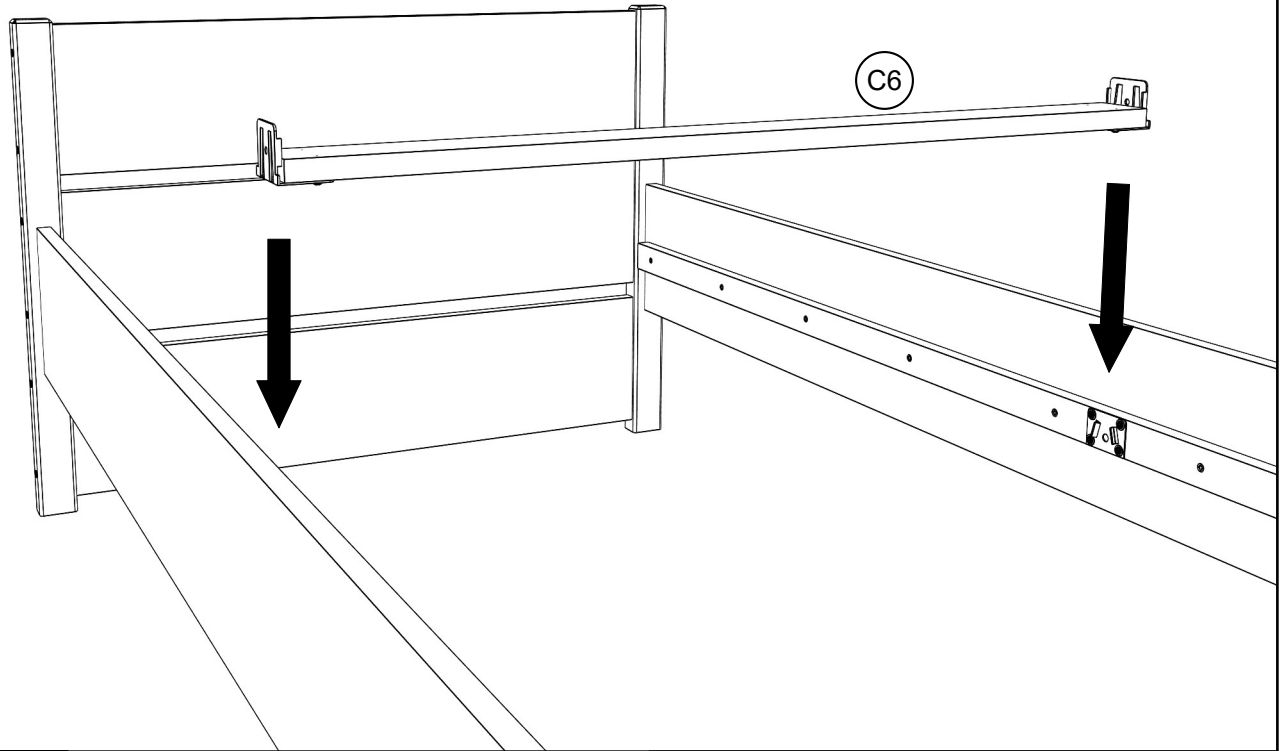


4

S1 x 20 



5

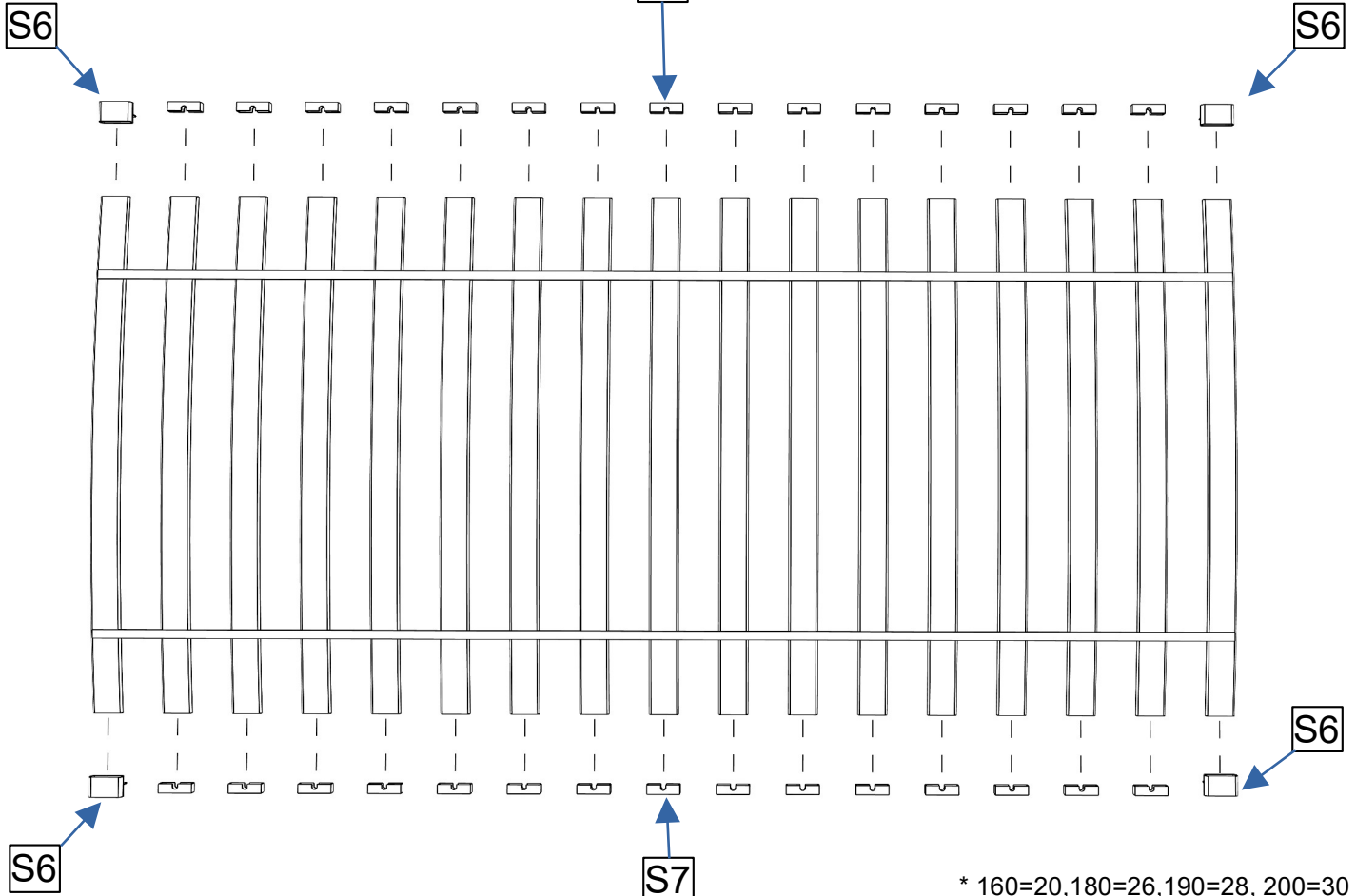


6

S6 x 4



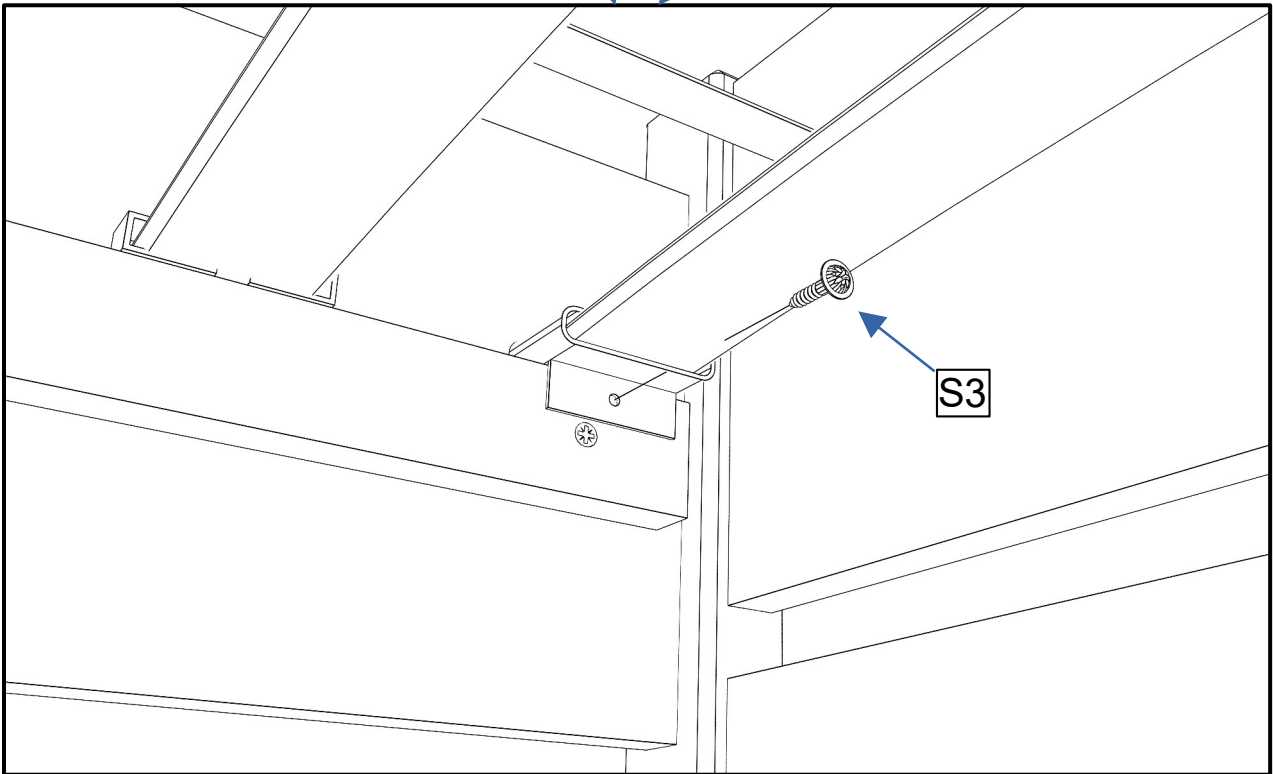
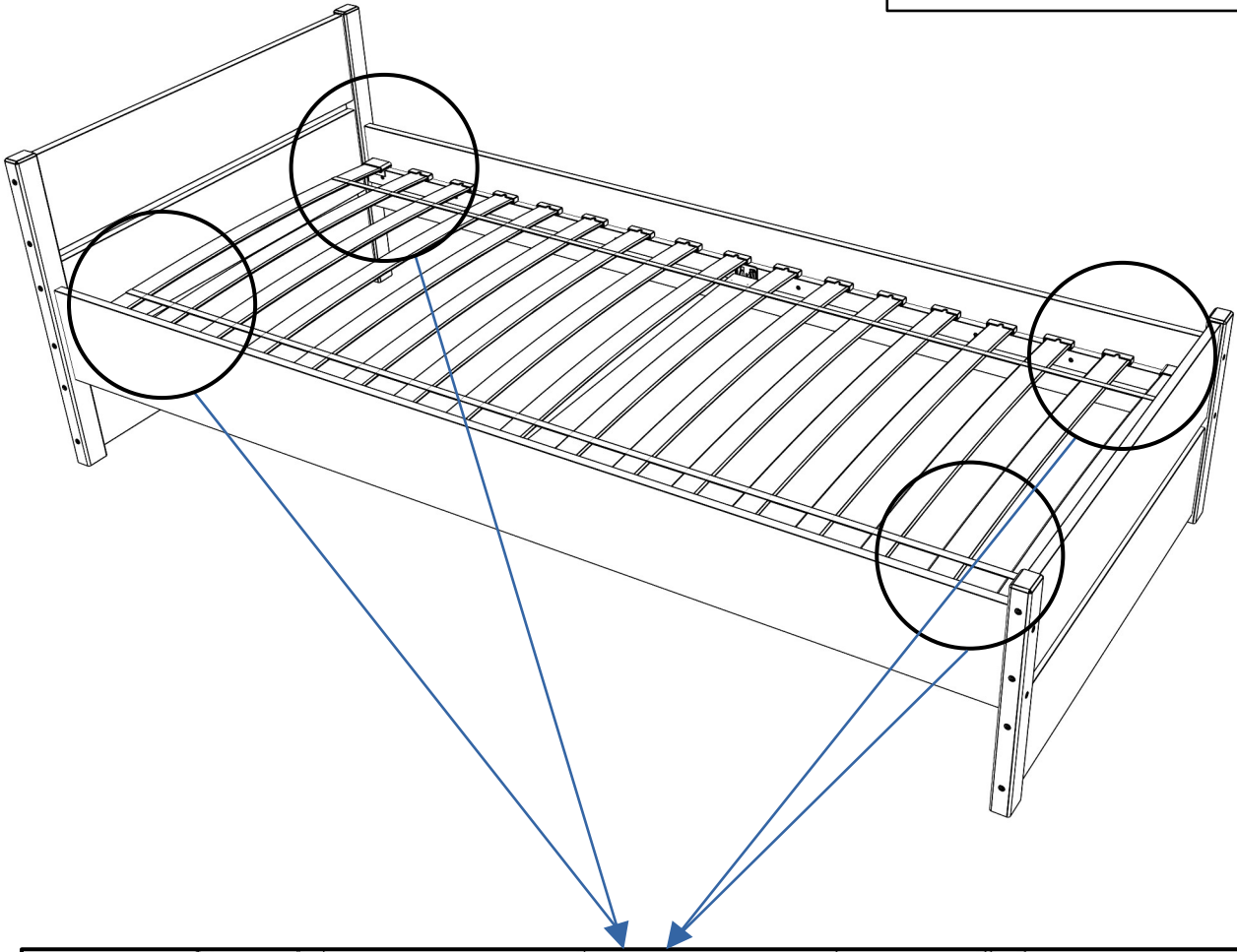
S7 x 20/26/28/30 *

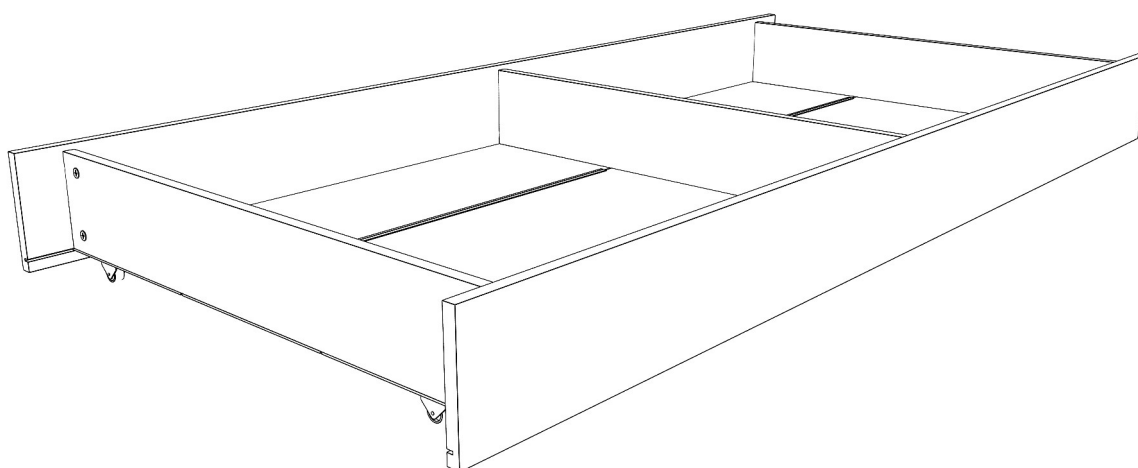










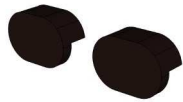
* 160=20,180=26,190=28, 200=30

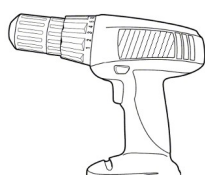
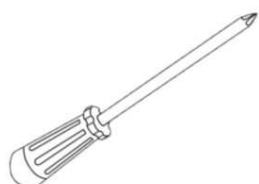
7

S3 x 4





S1		x12
S2		x12
S3	3,5x20 	x24
S4	3,5x13 	x4
S5		x6
S6		x12
S7		x12
S8		x2
S9		x2

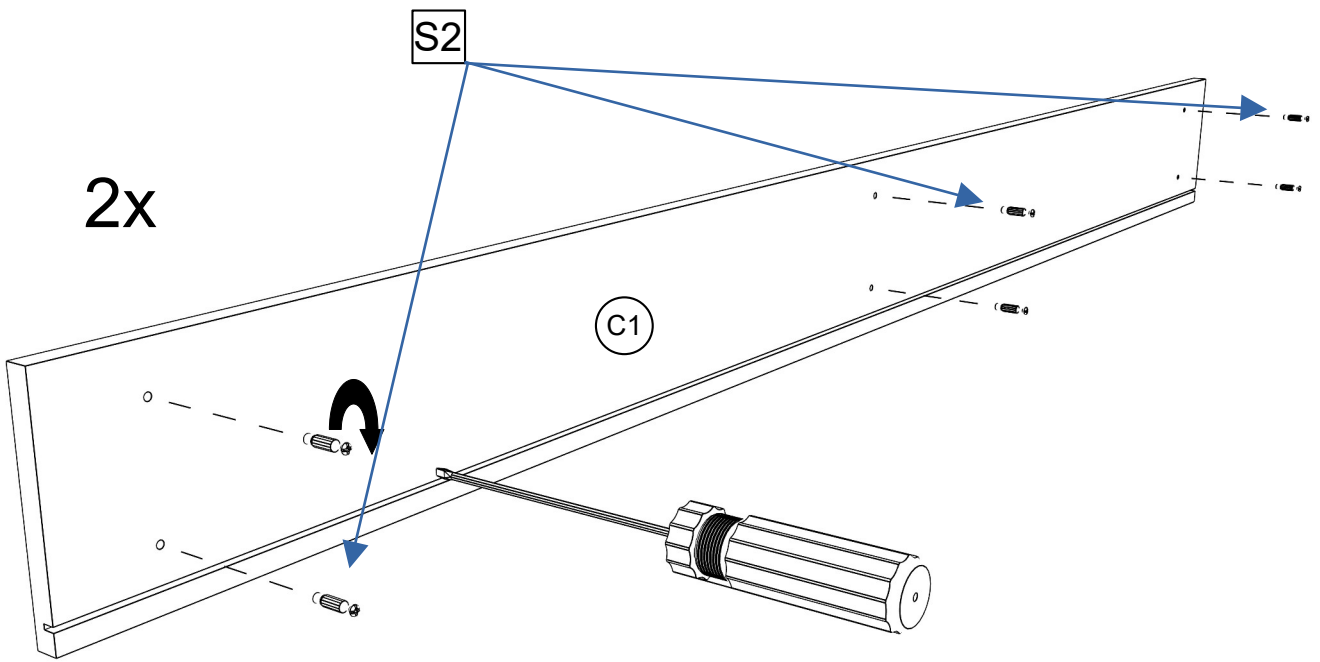




C1	2x
C2	3x
C3	3x
C4	4x

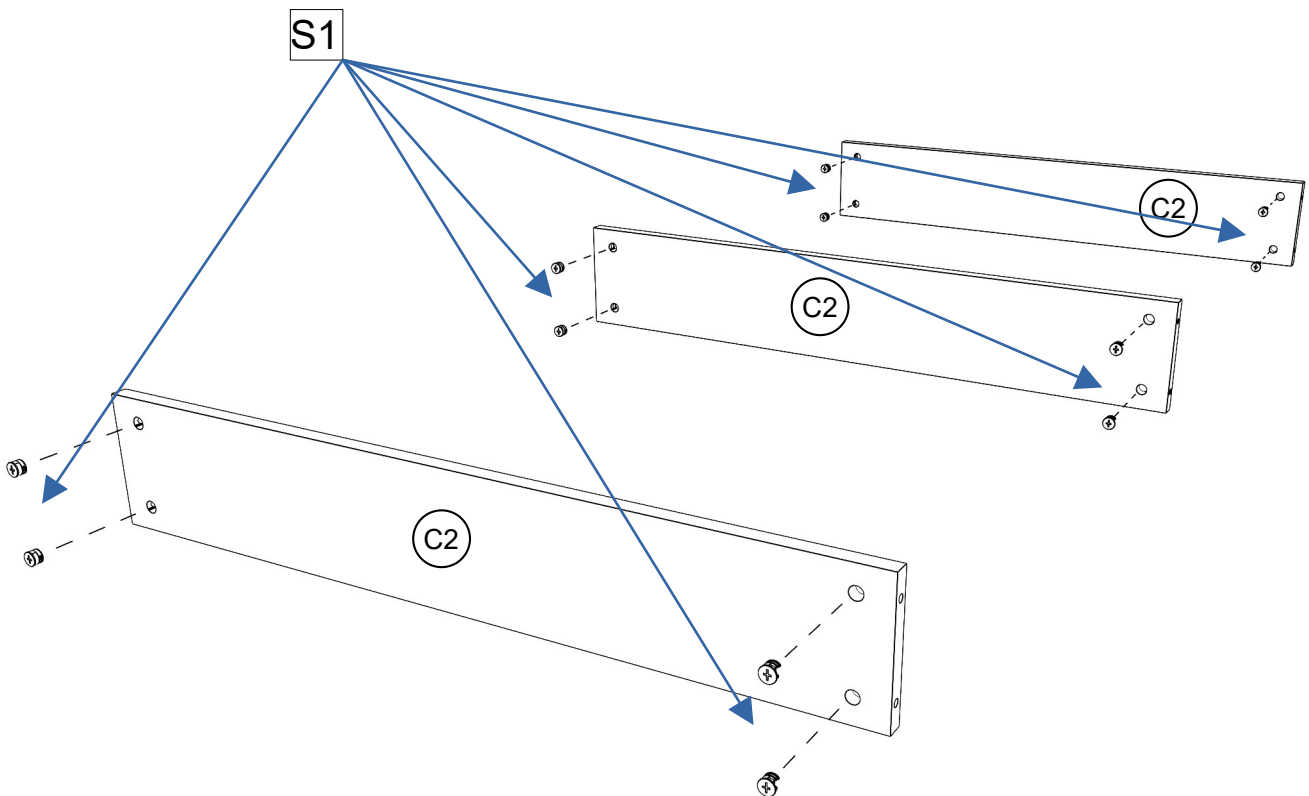
1

S2 x 12

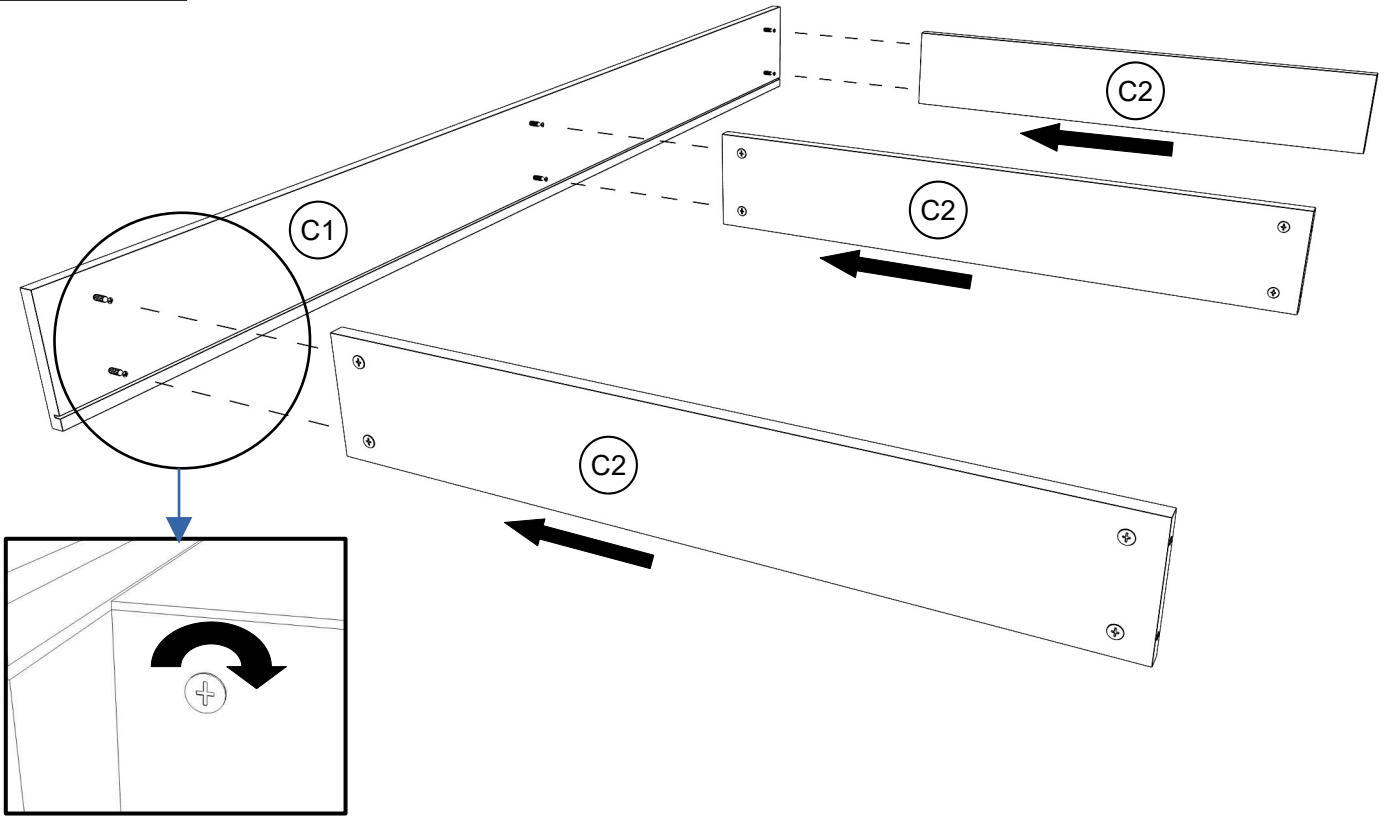


2

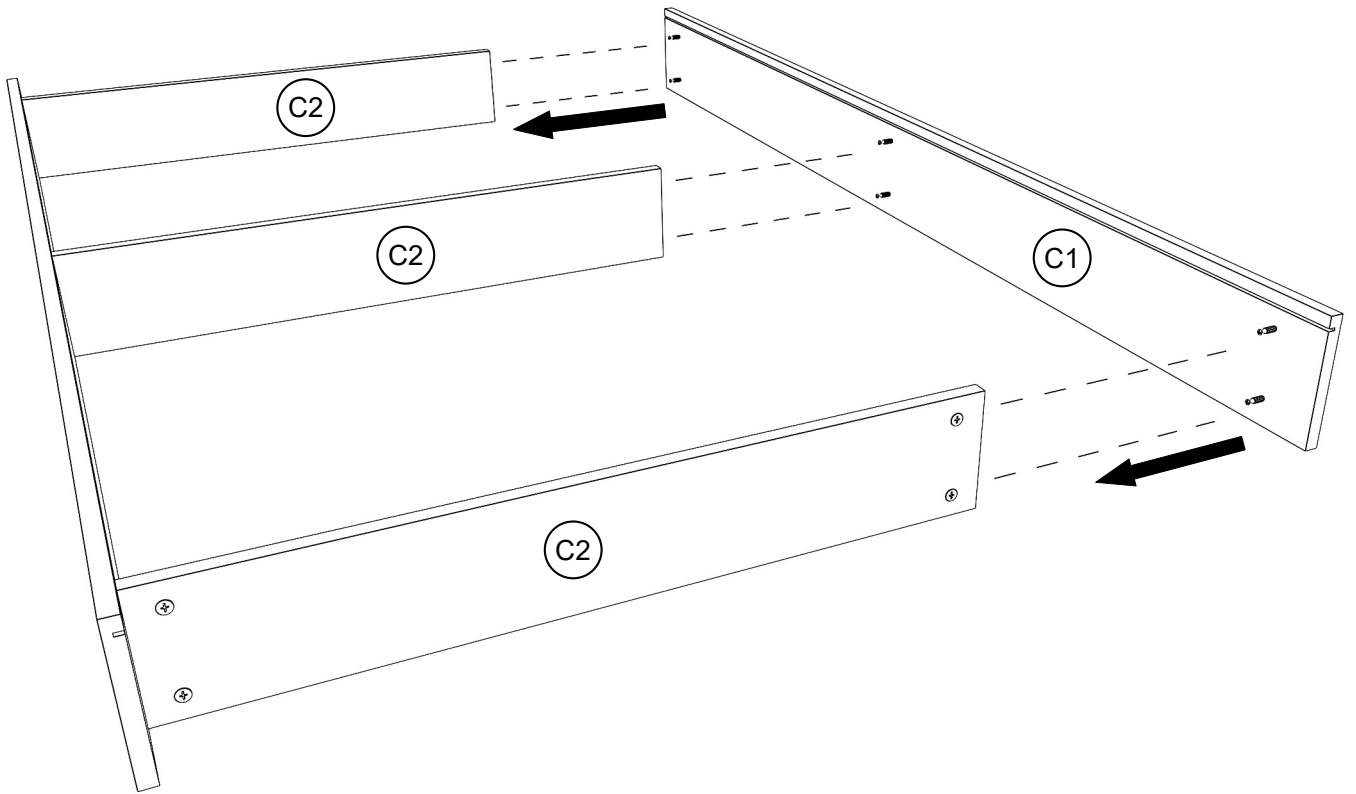
S1 x 12



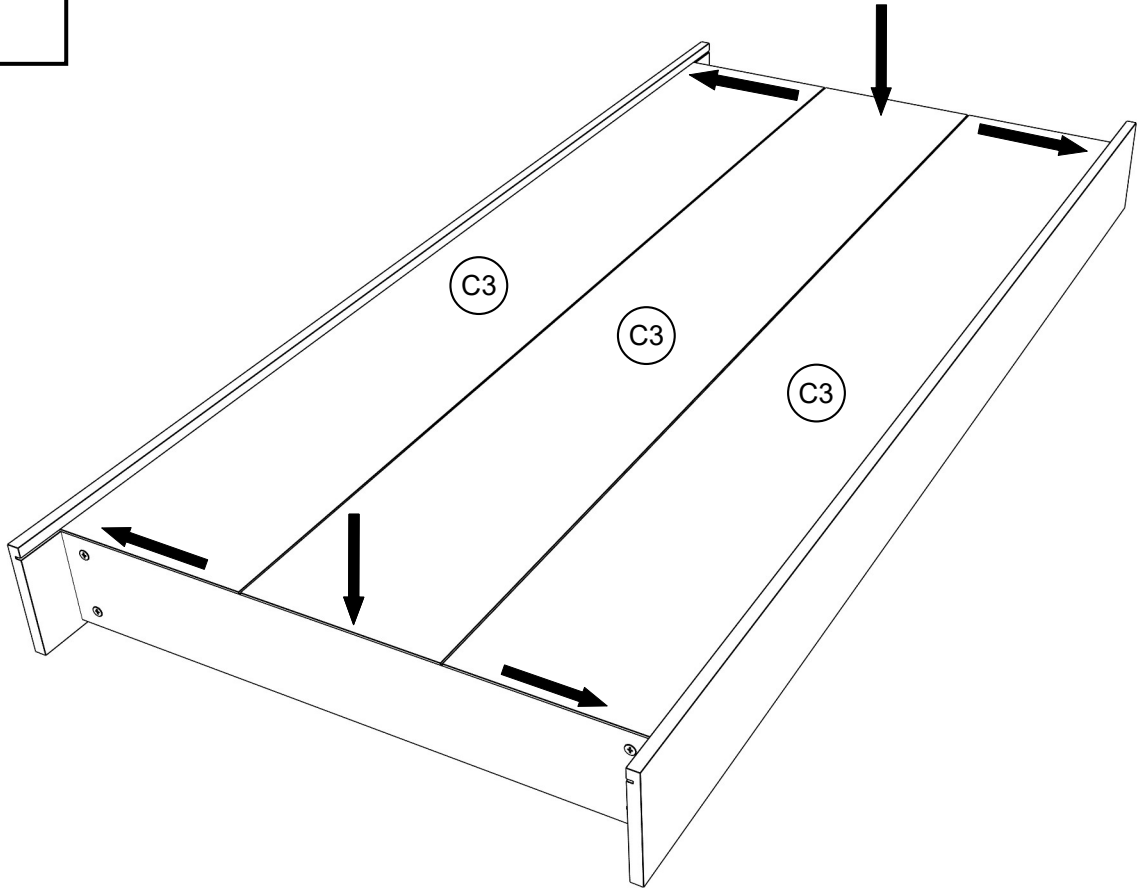
3



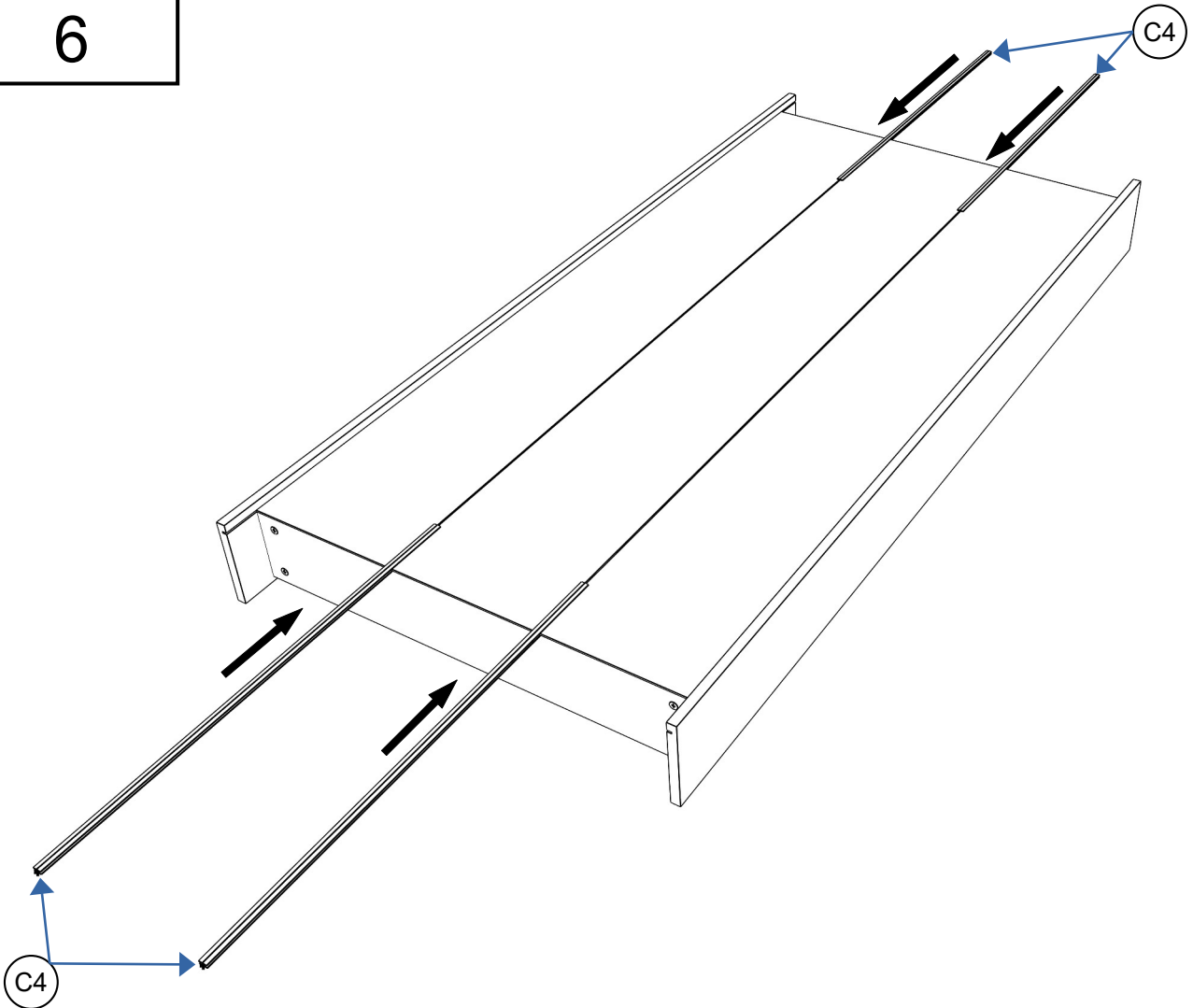
4



5

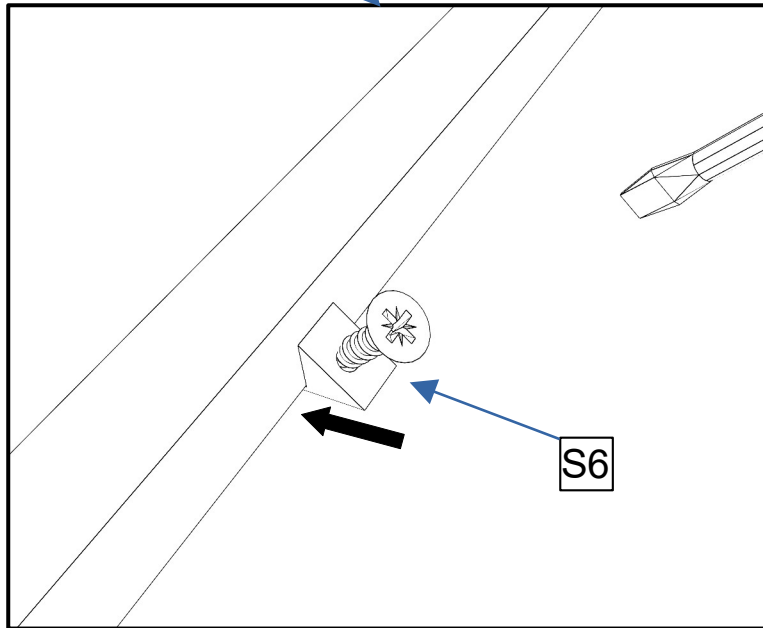
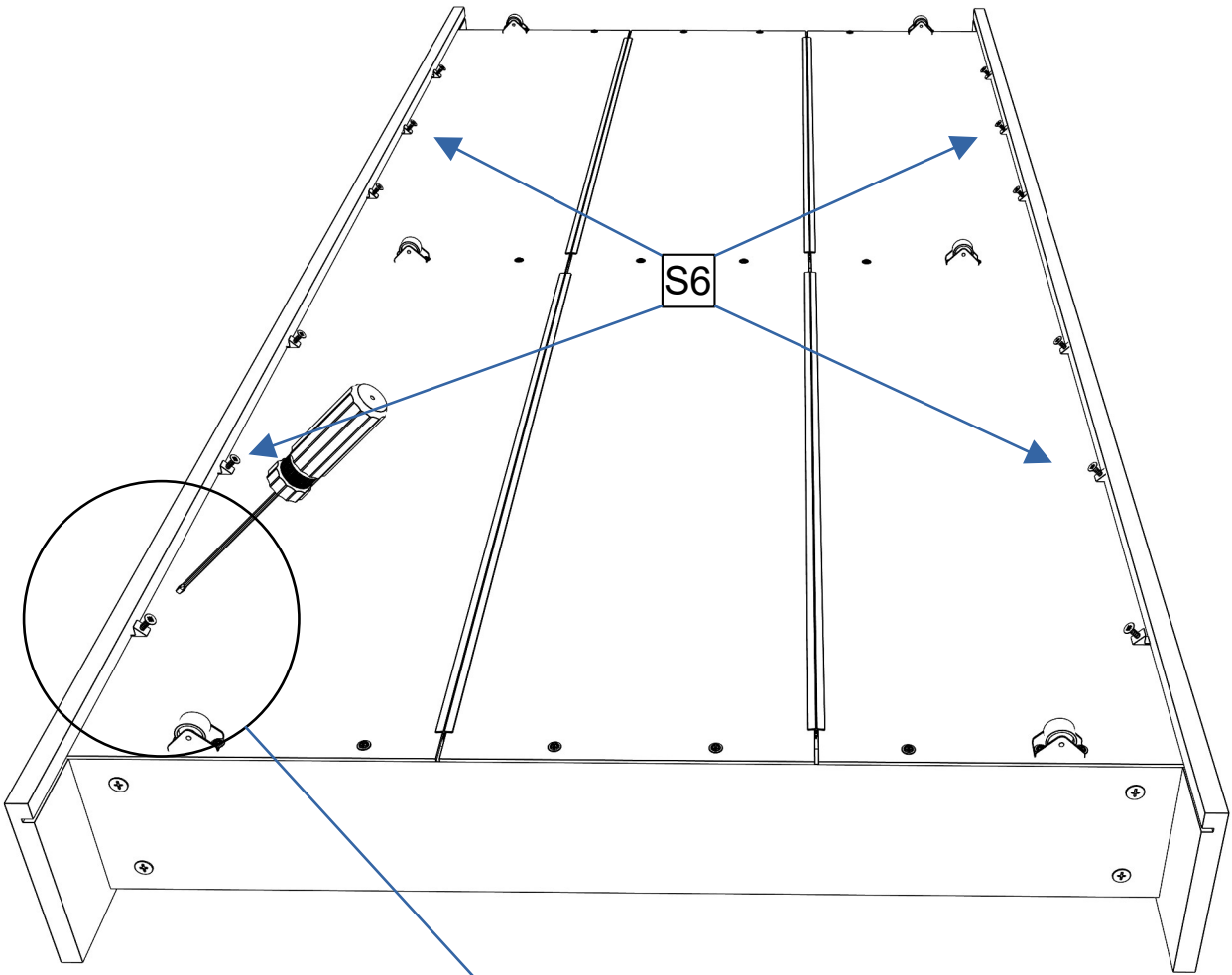


6



9

S6 x 12

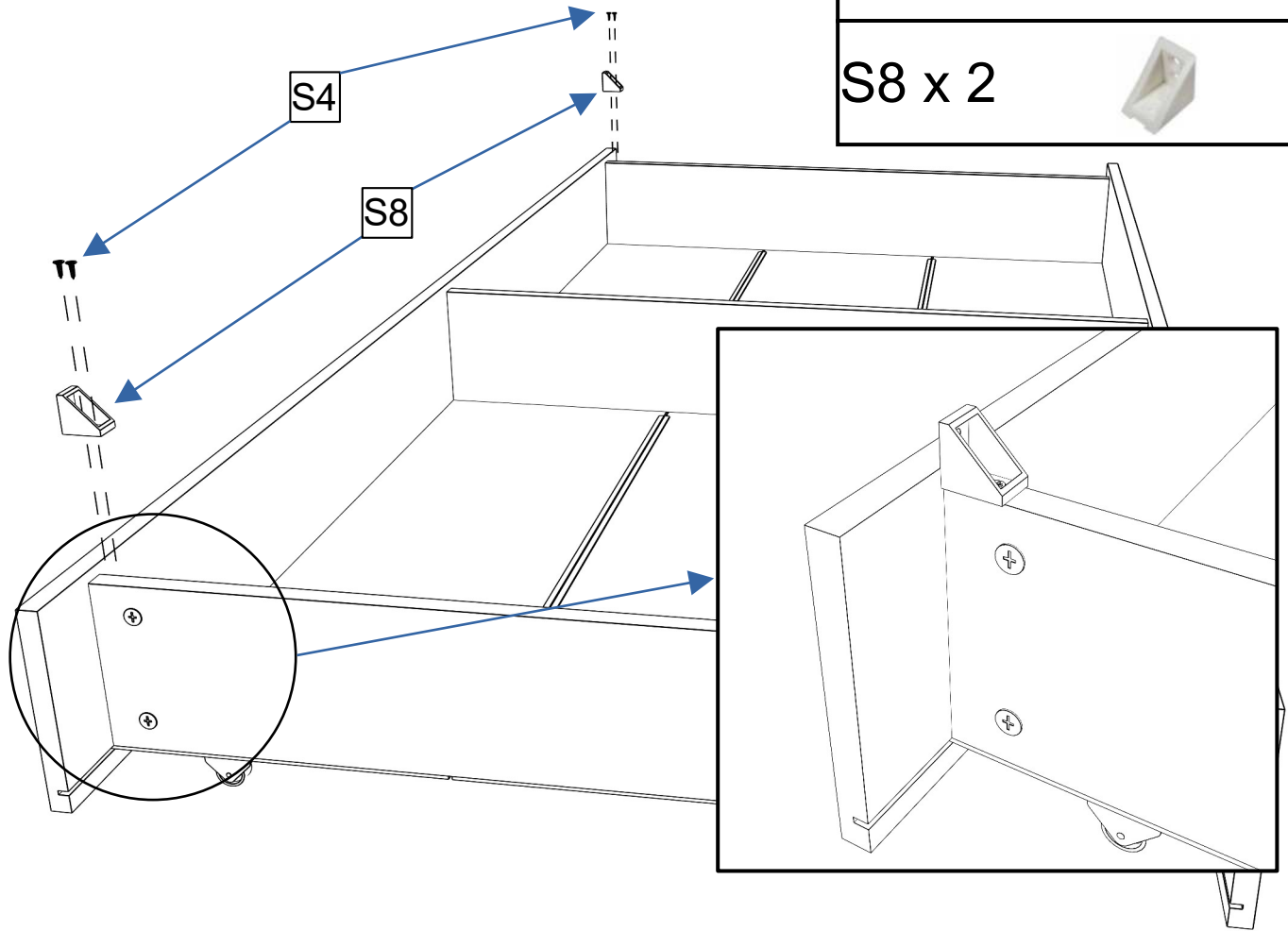


10

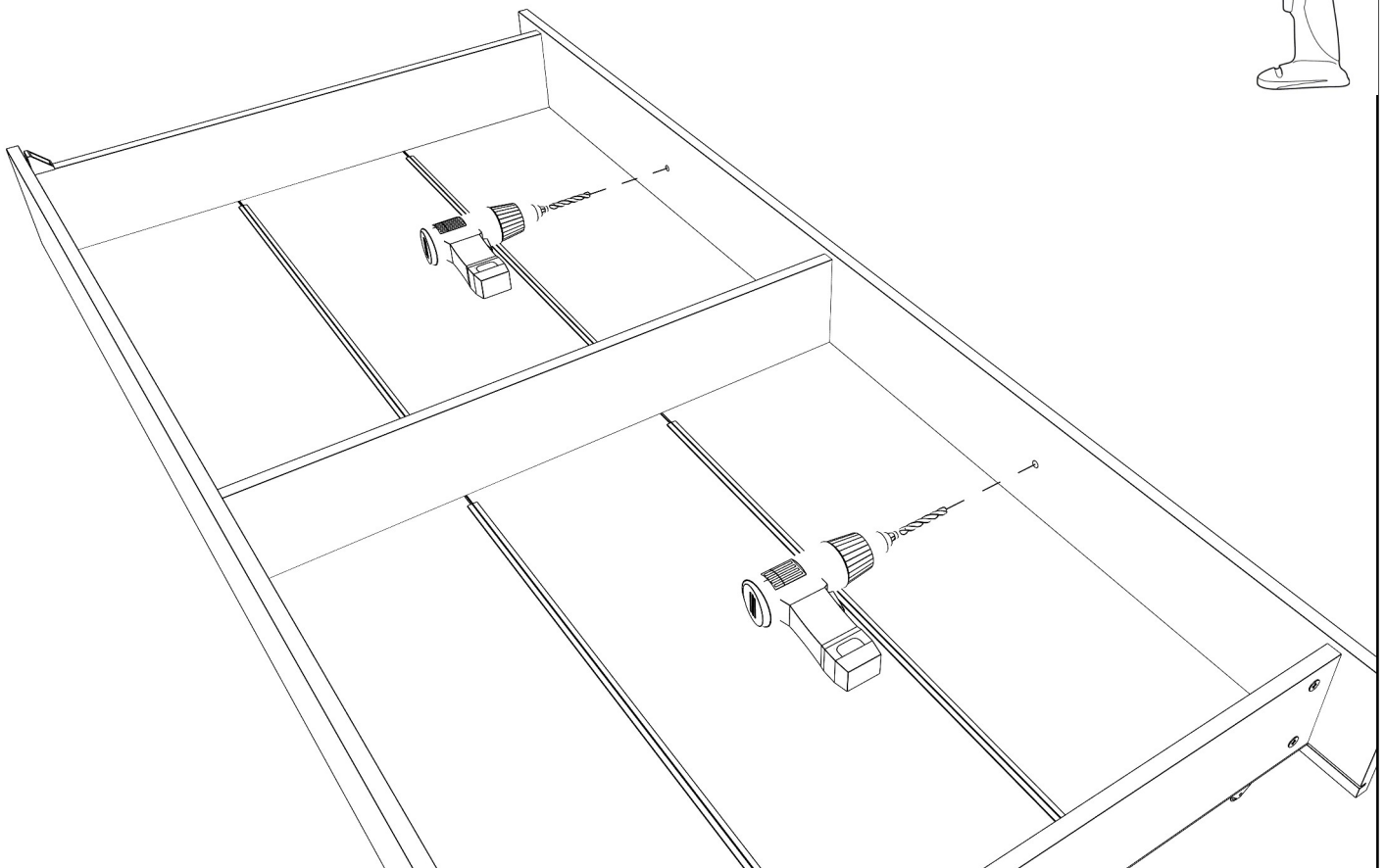
S4 x 4



S8 x 2

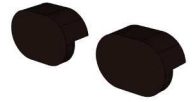


11



12

S9 x 2



S9

