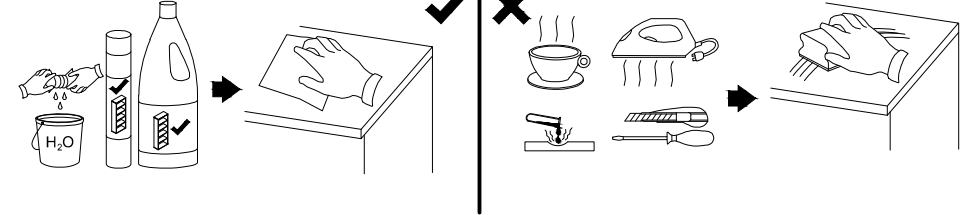
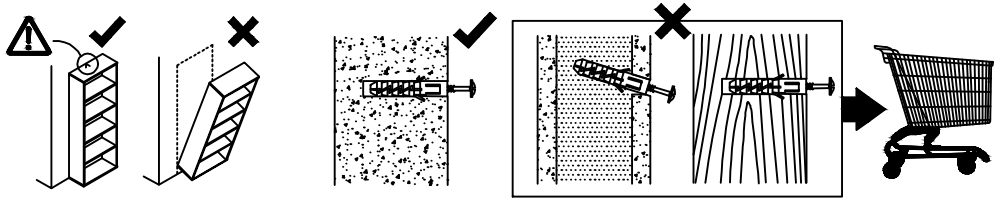
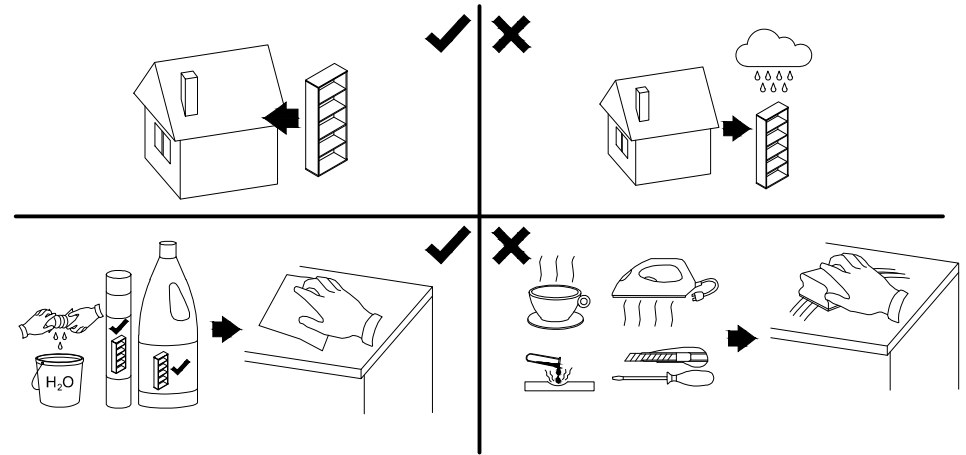
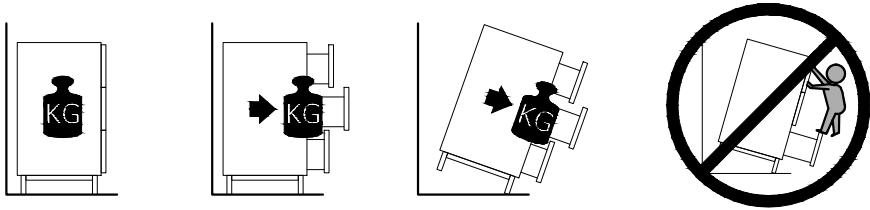
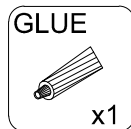
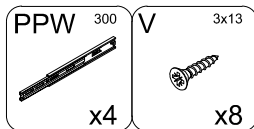
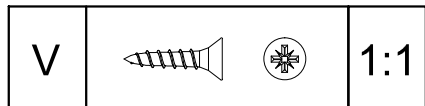
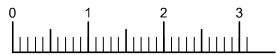
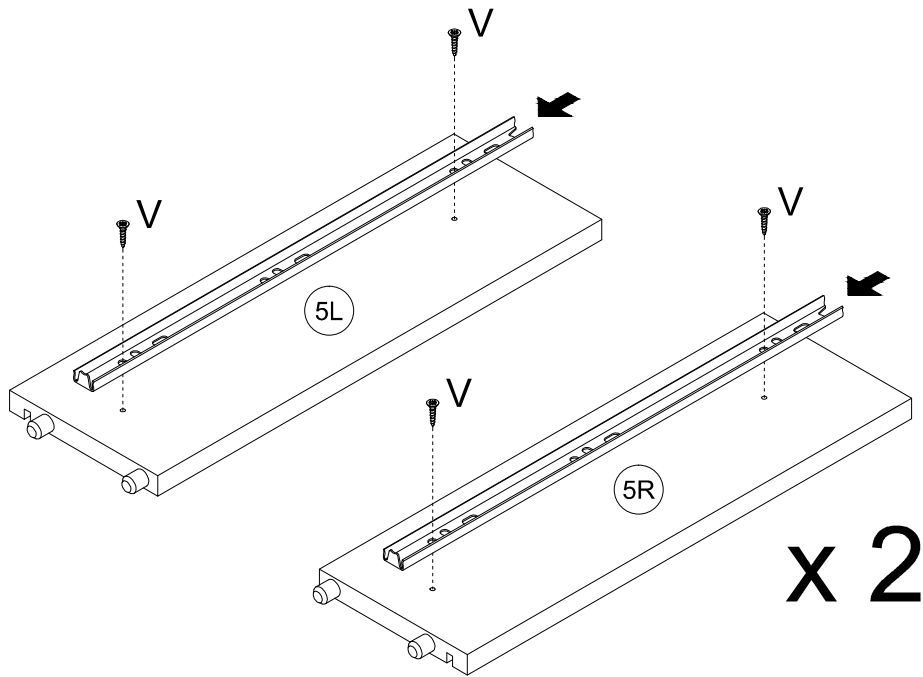
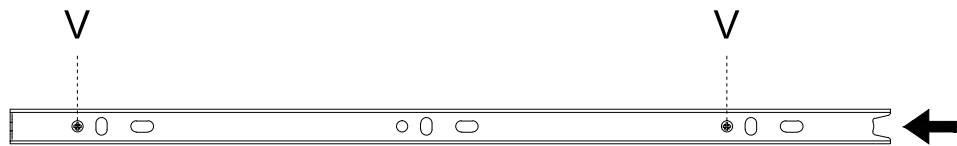
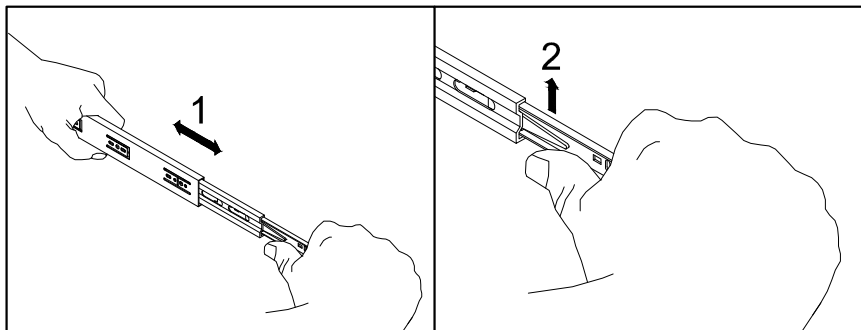


A	8x32	B							
	x12		x18						
C		DY	H-10mm	GLUE	M4	4x22	ND	3,5x16	
	x18		x4			x1		x2	x16
NE	4x16	PPW	300	R4			V	3x13	ZK
	x6		x4		x2			x8	
									x6

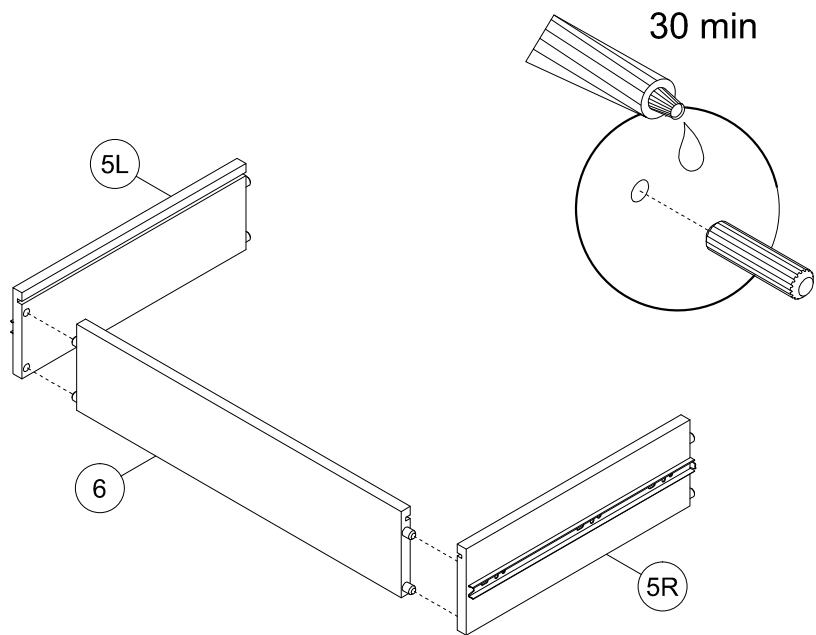
1	1035	680	16	x2	2 / 2
2L	680	230	16	x1	2 / 2
2R	680	230	16	x1	2 / 2
3	612	230	16	x1	2 / 2
4	496	224	16	x2	2 / 2
5L	300	100	12	x2	2 / 2
5R	300	100	12	x2	2 / 2
6	435	100	12	x2	2 / 2
7	444	298	2.5	x2	2 / 2
8	679	200	18	x2	1 / 2
9	998	18	18	x2	1 / 2



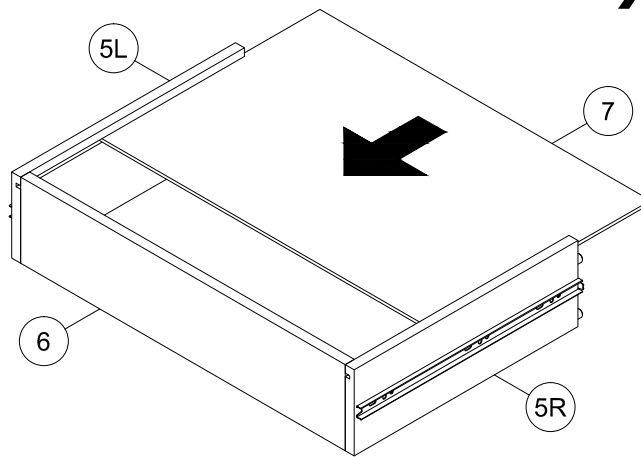
1



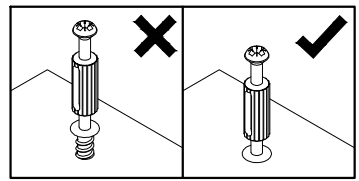
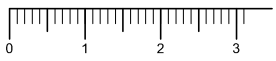
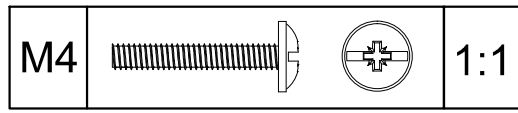
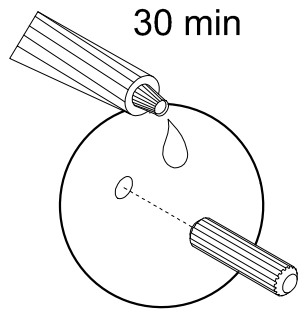
2



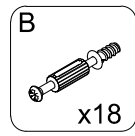
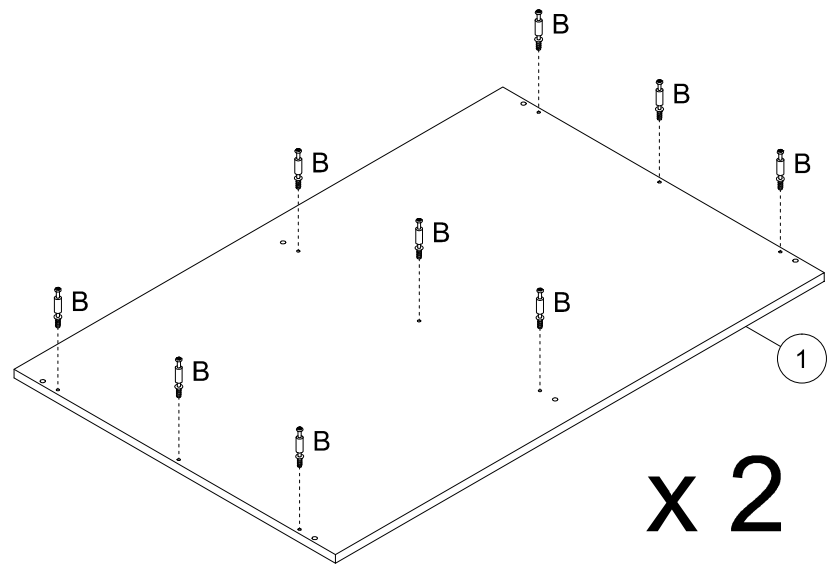
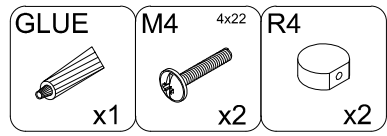
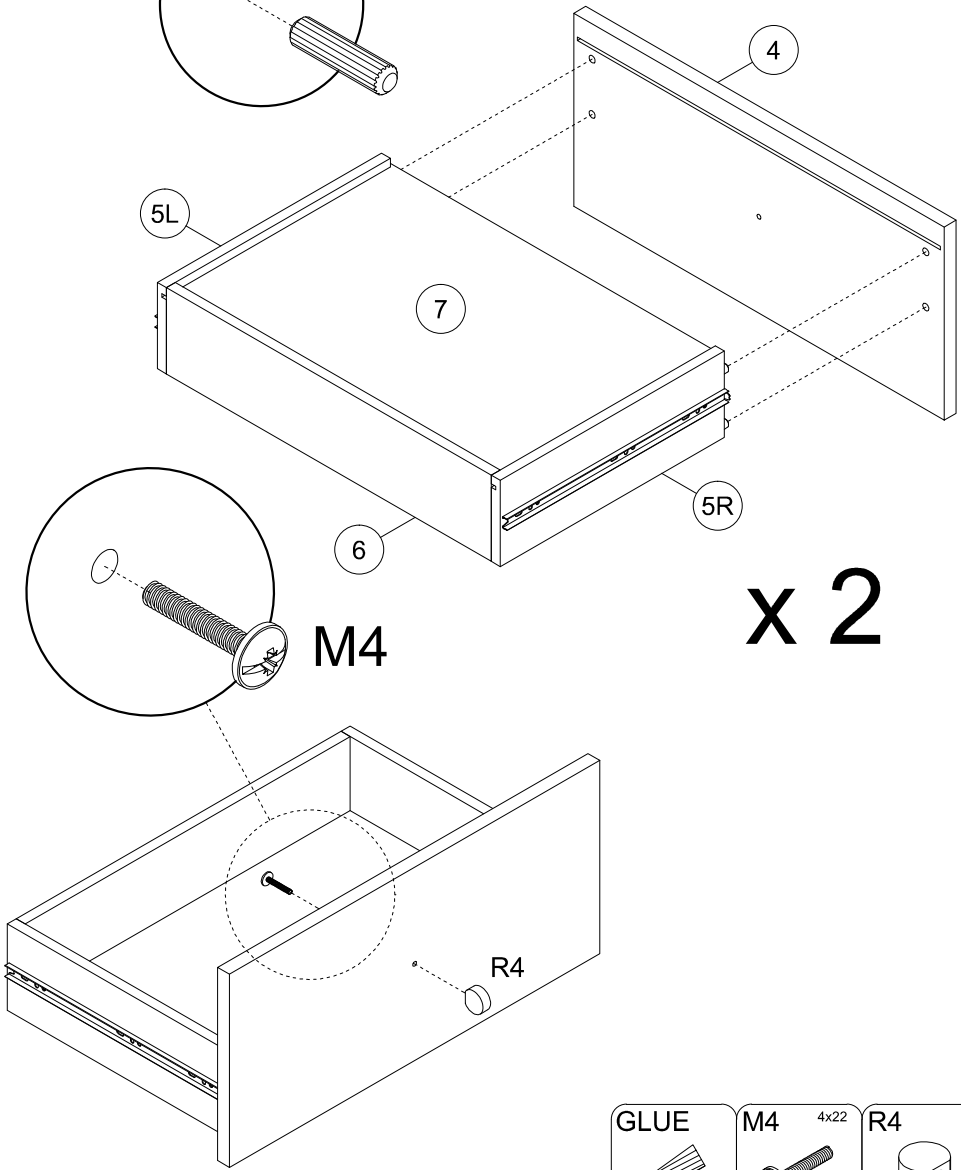
x 2



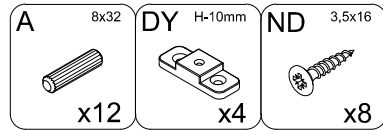
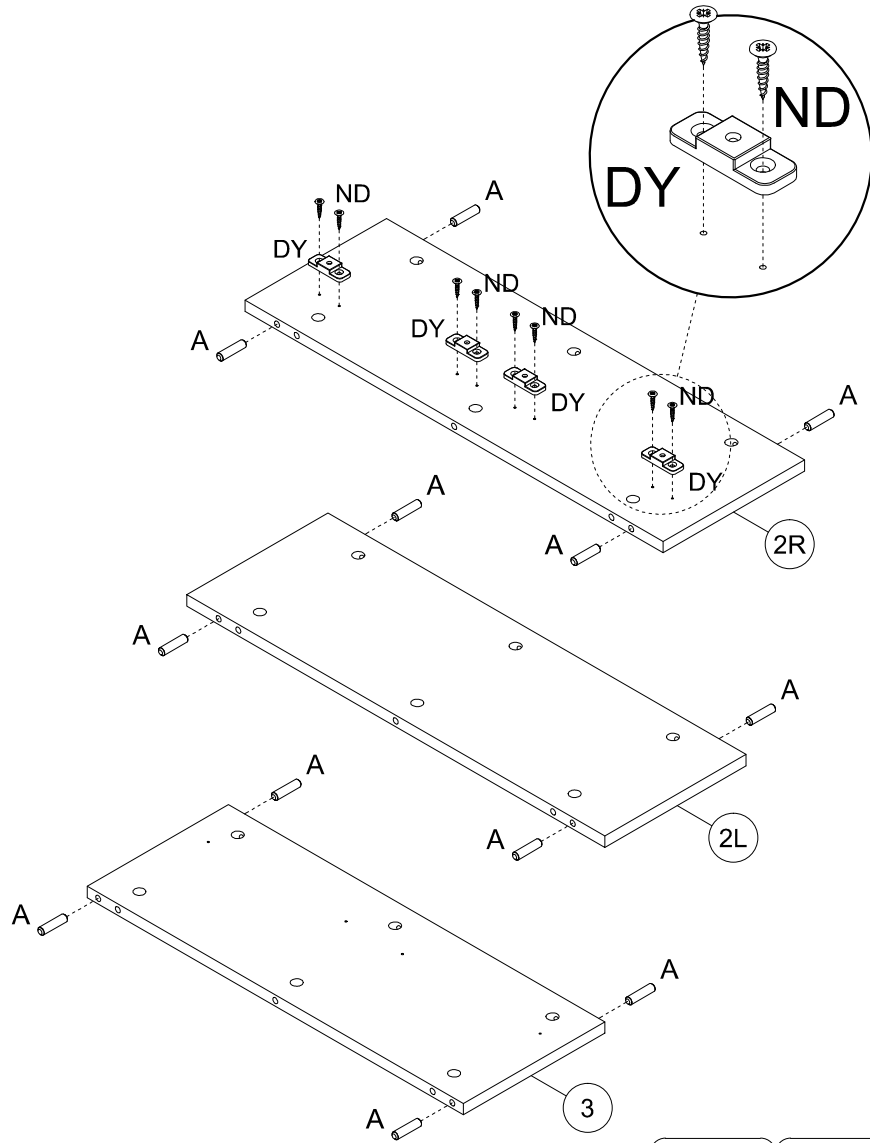
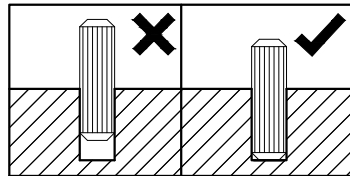
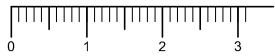
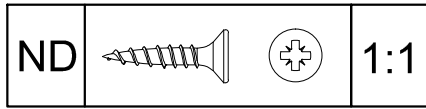
3



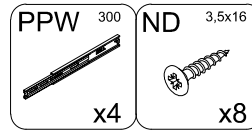
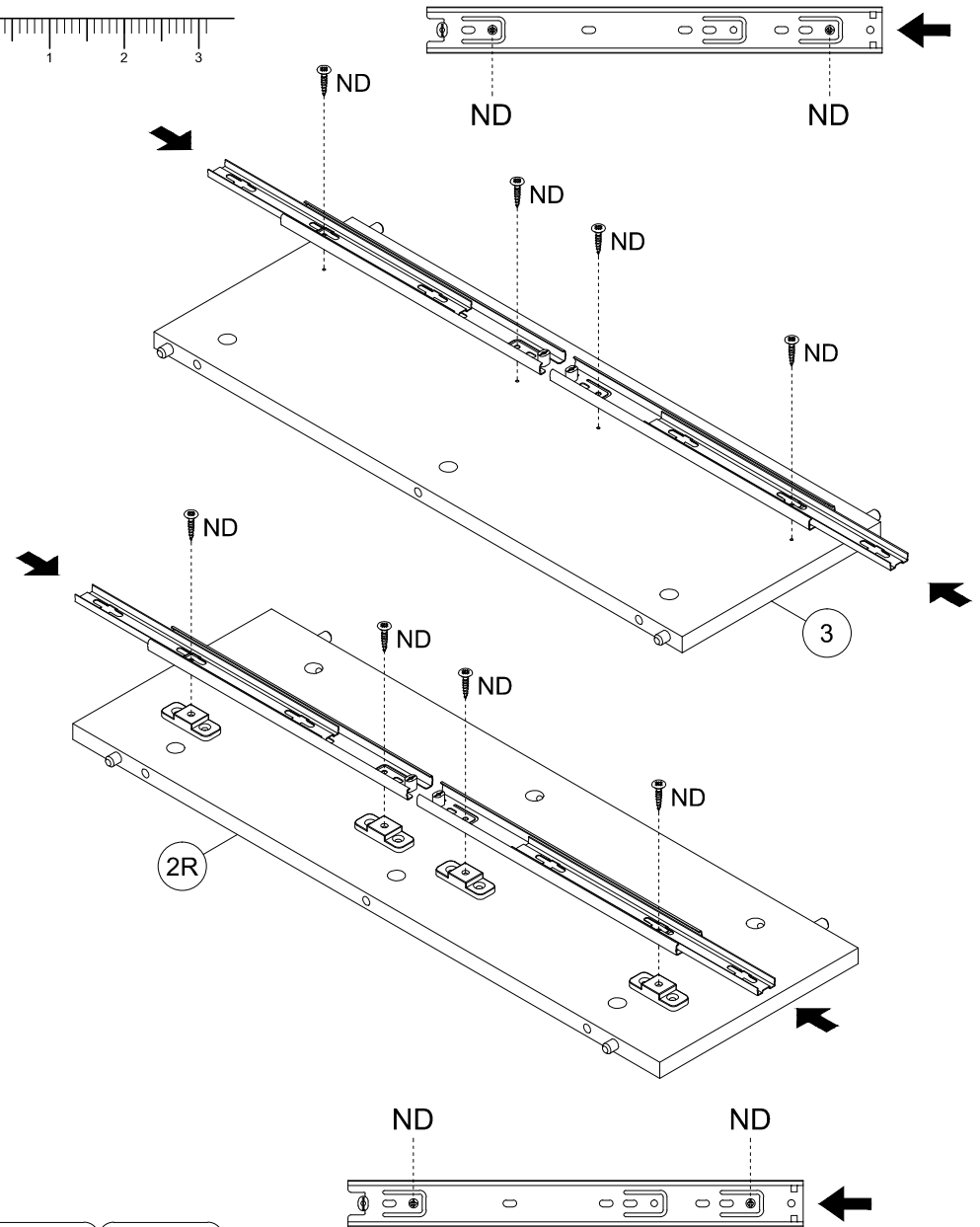
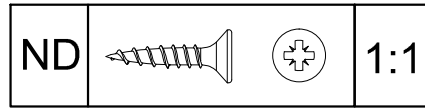
4



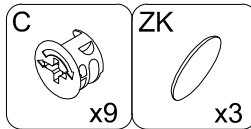
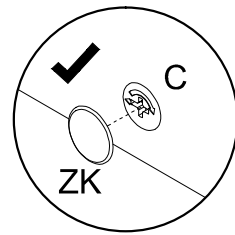
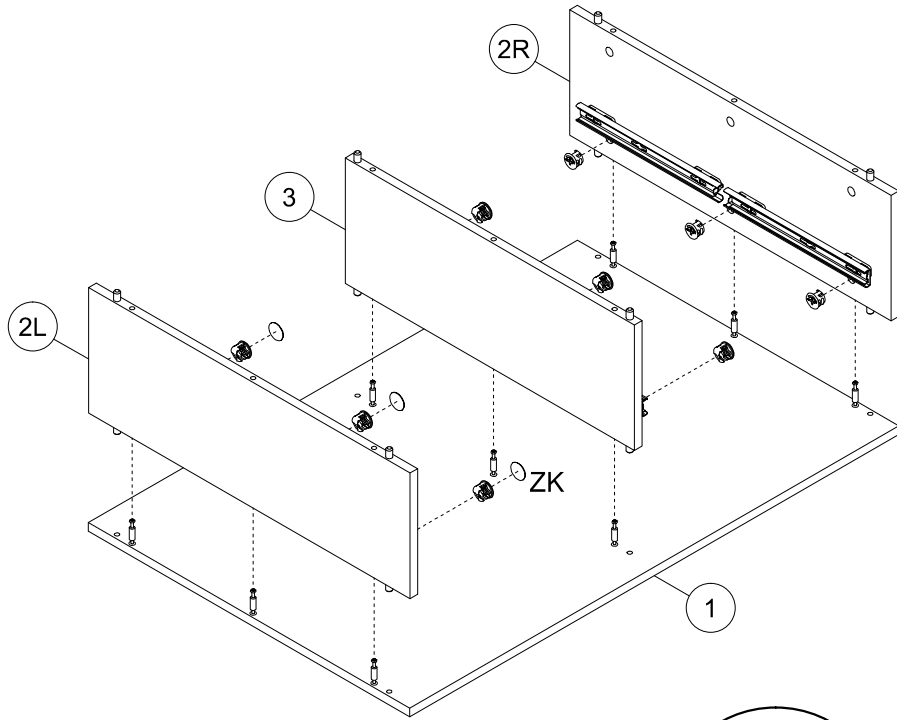
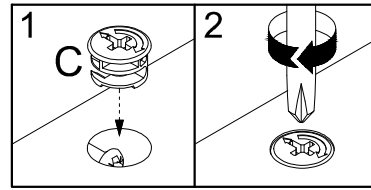
5



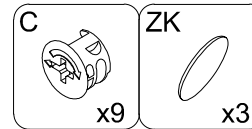
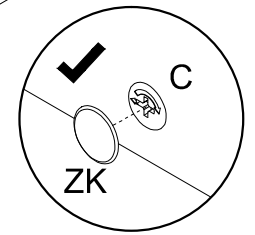
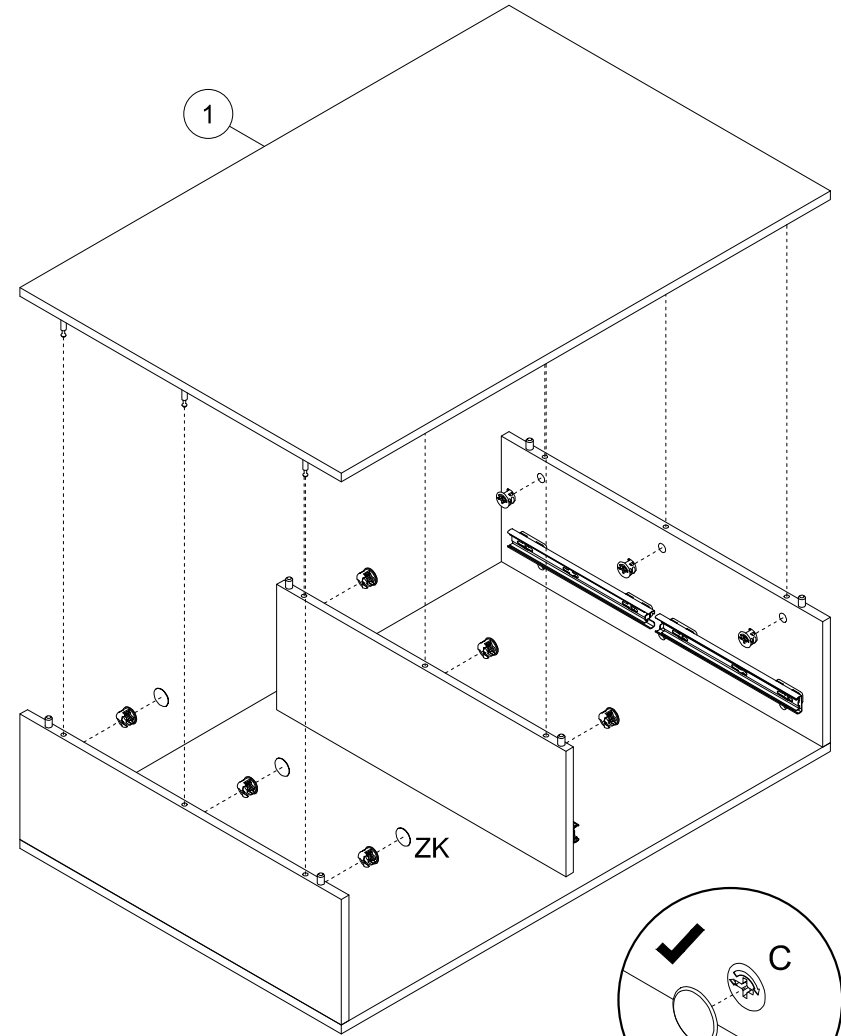
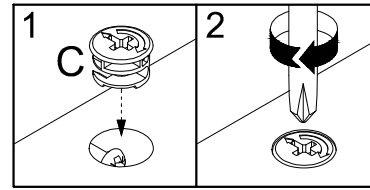
6

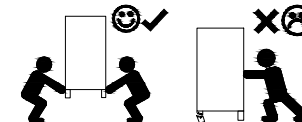
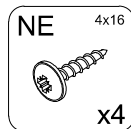
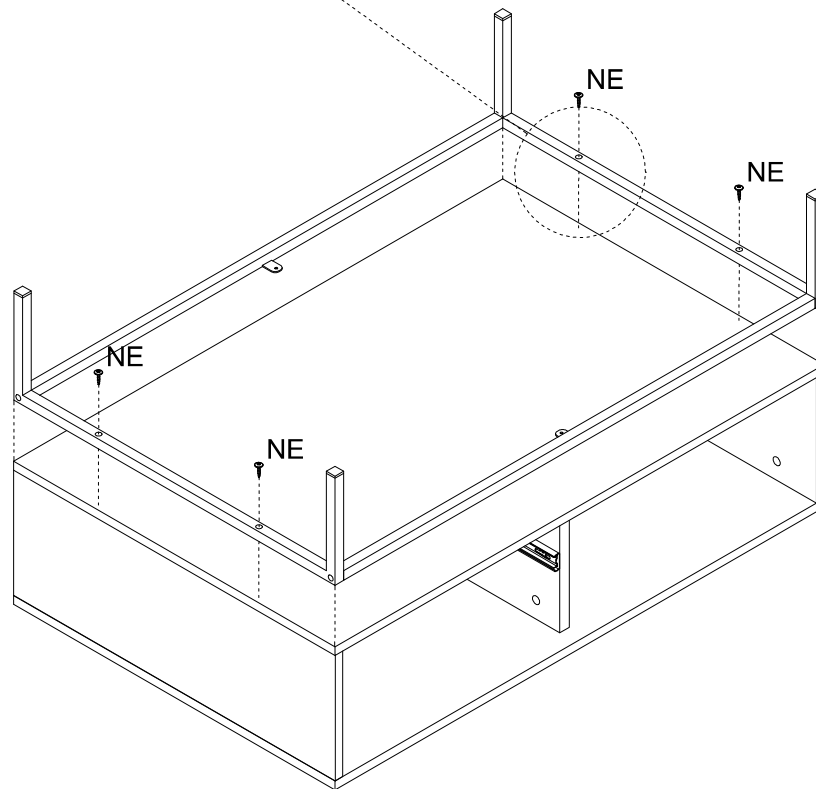
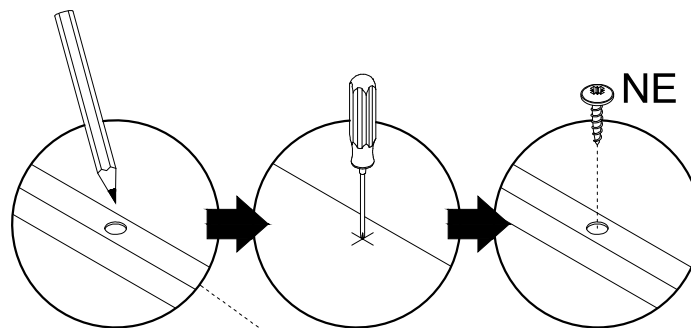
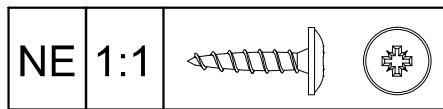
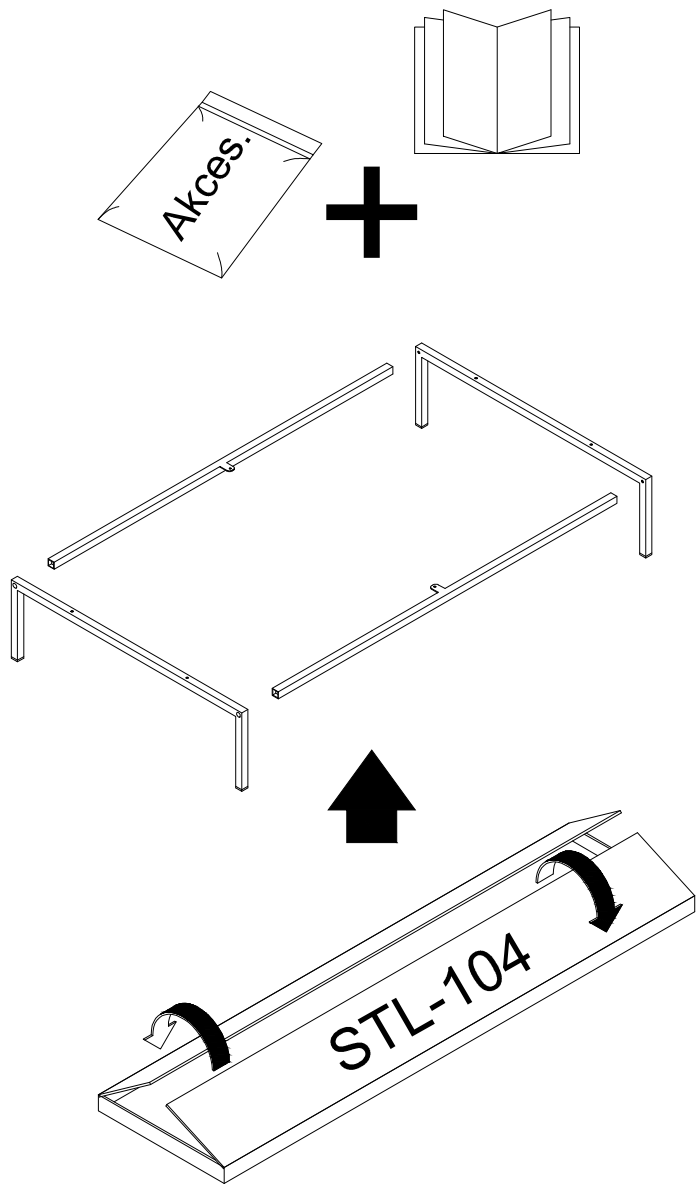


7

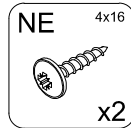
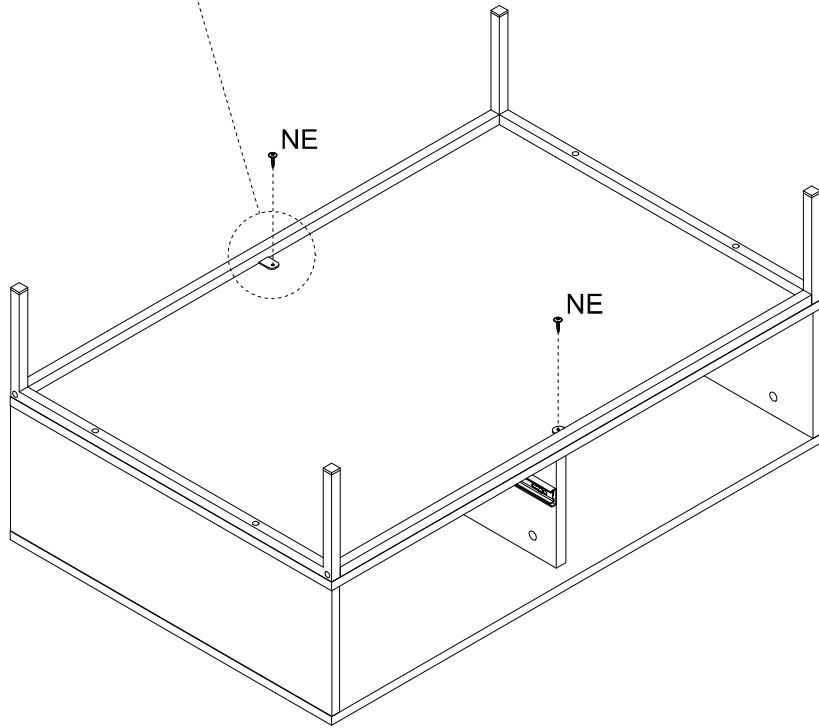
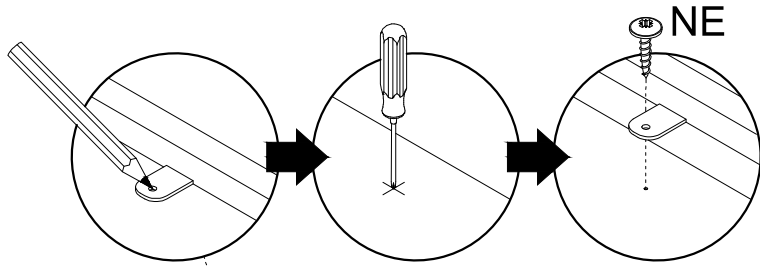
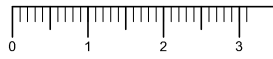
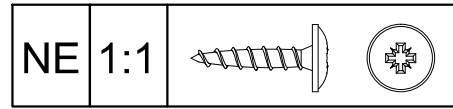


8





11



12

