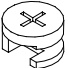
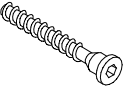
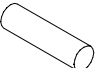

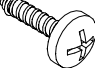
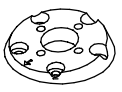


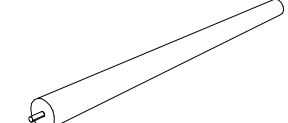
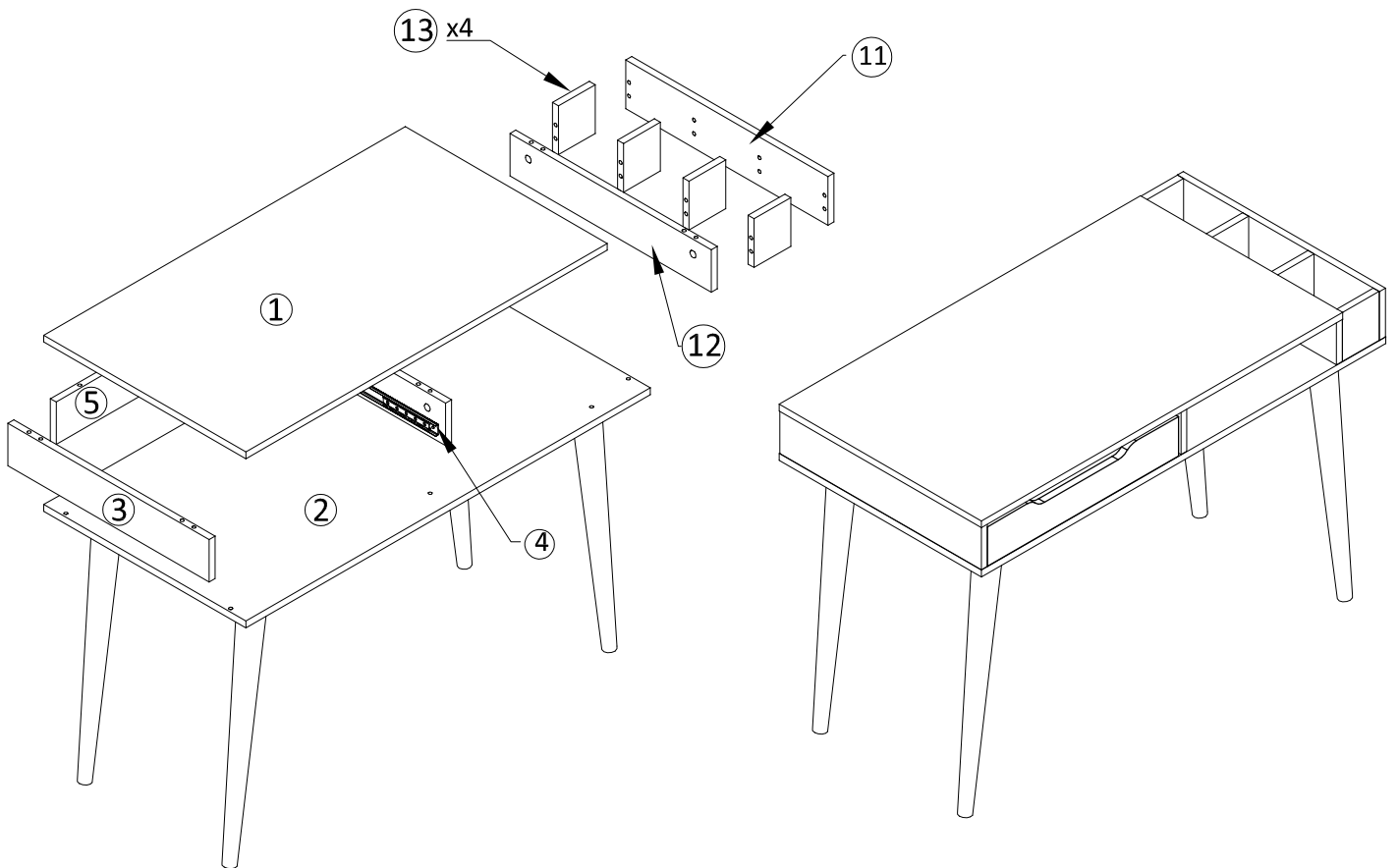
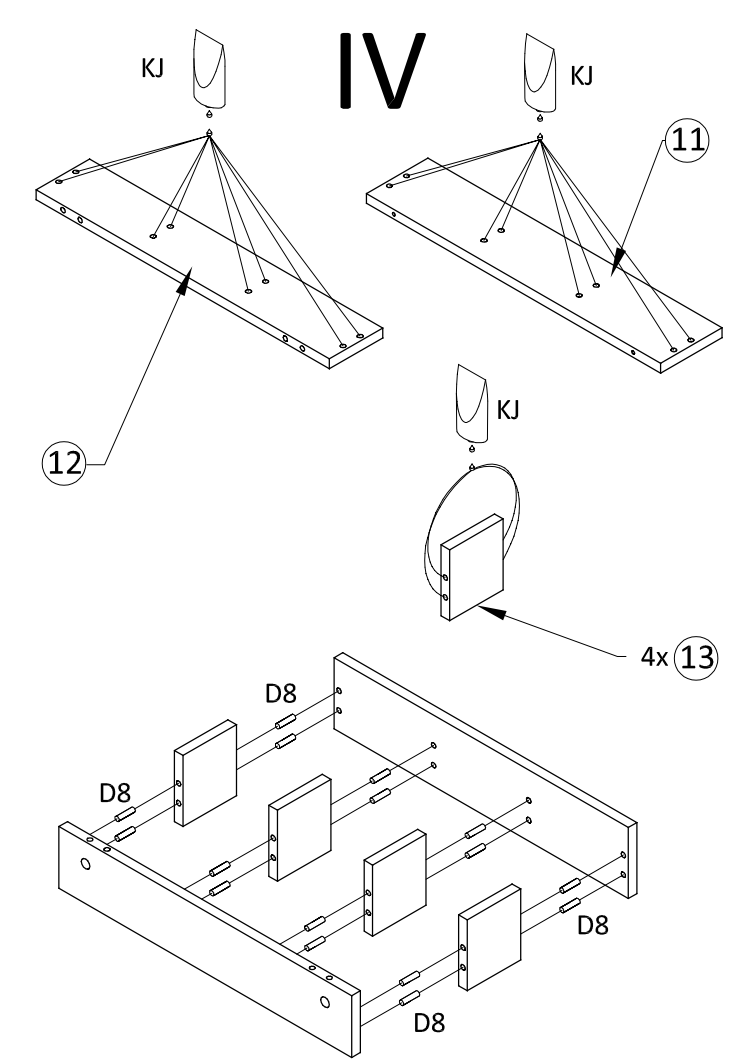
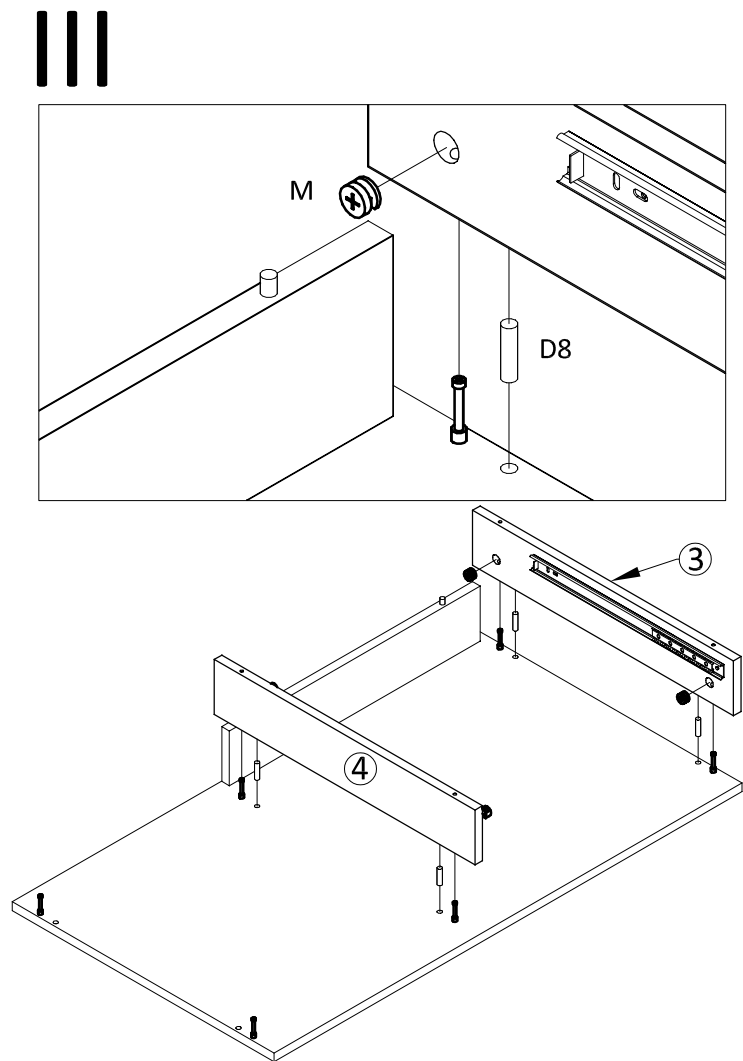
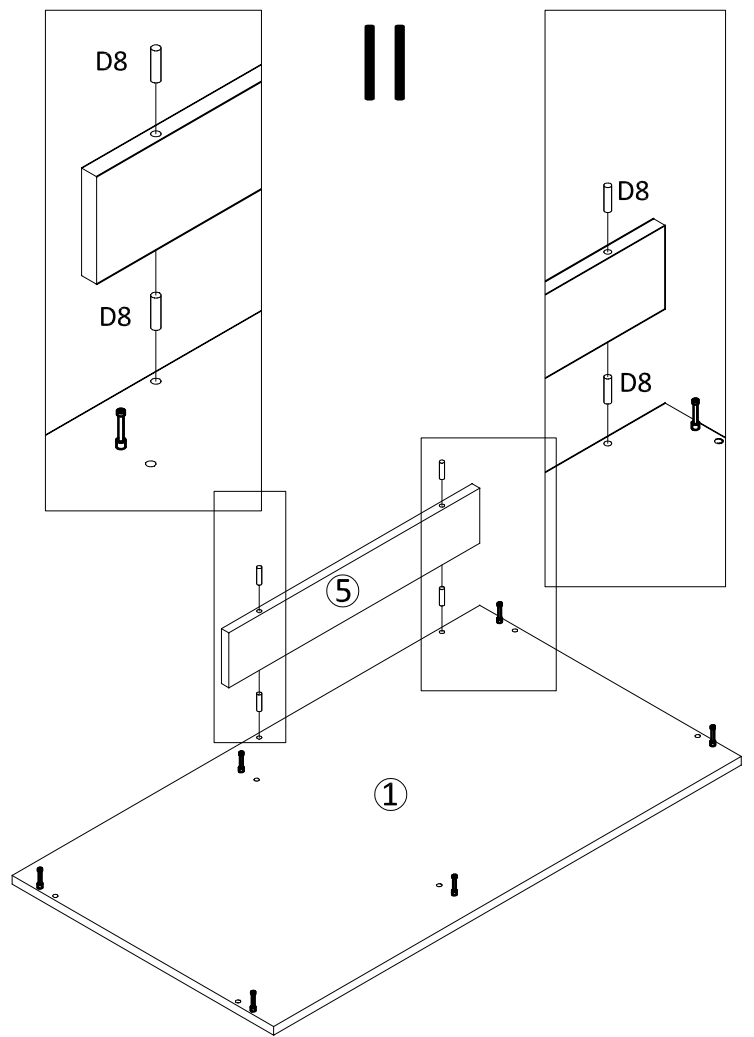
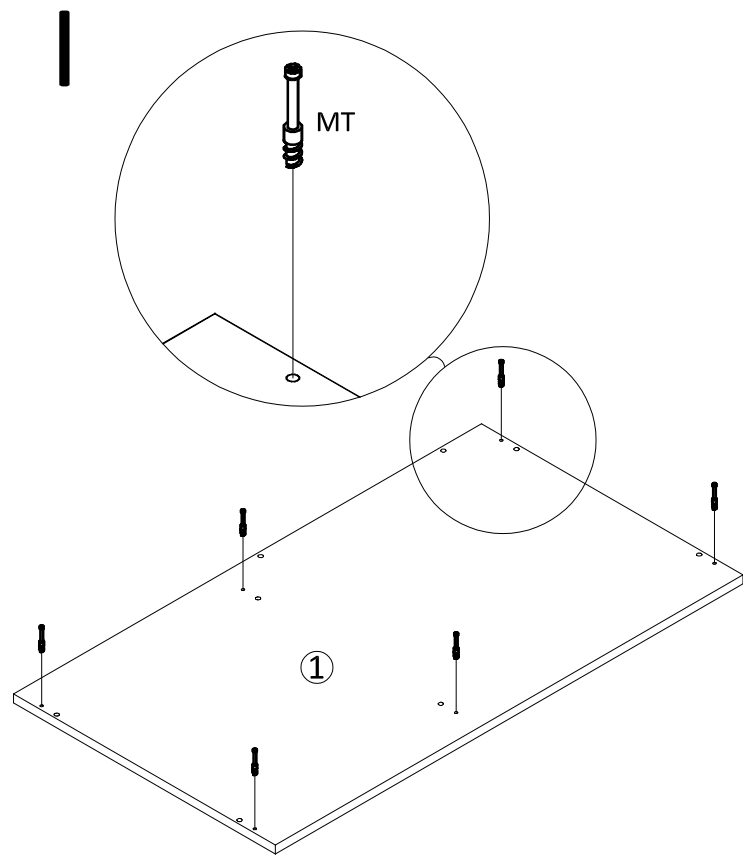
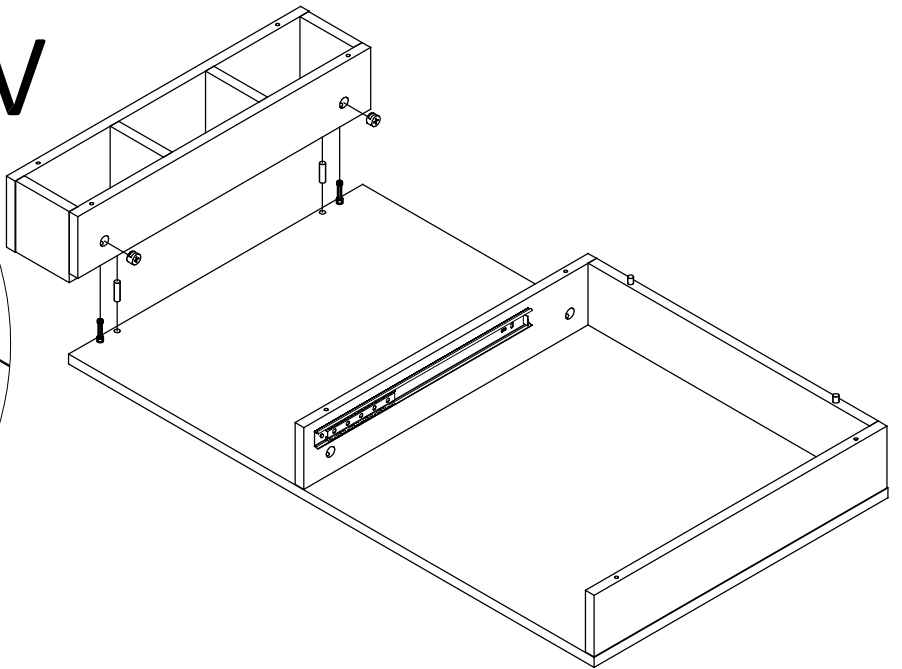
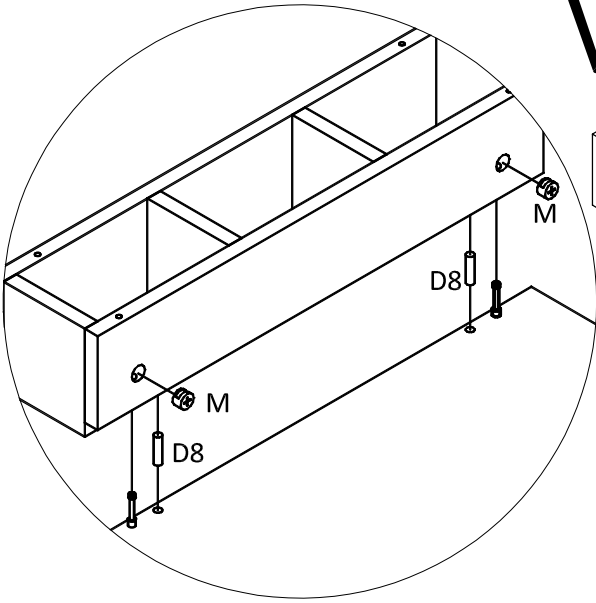
 MT x8	 M x8	 7x50 WK5 x10	 8x30 D8 x30	 A16 x1	 5x16 W5016 x20
 N20		 x4		 A01 x1	 NS2 x4

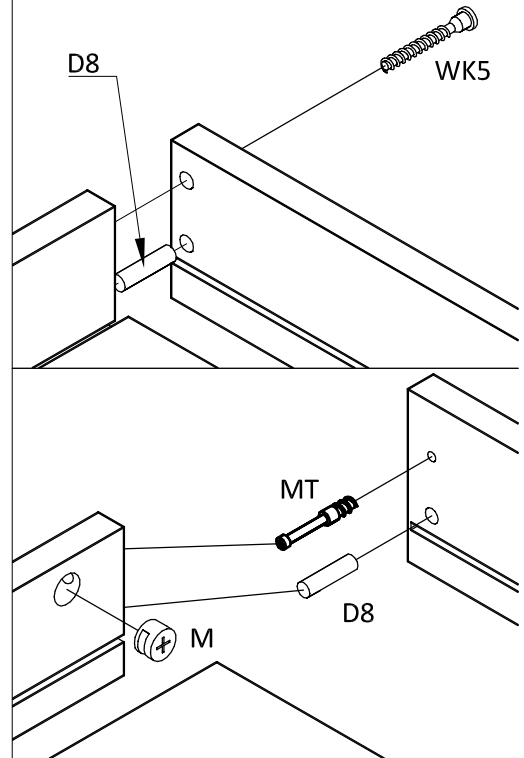
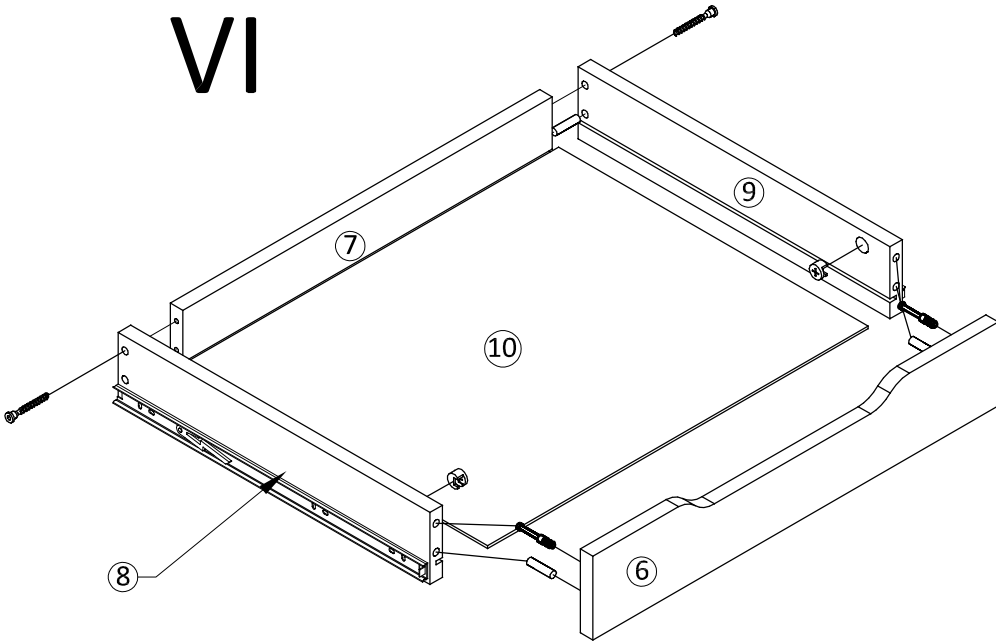




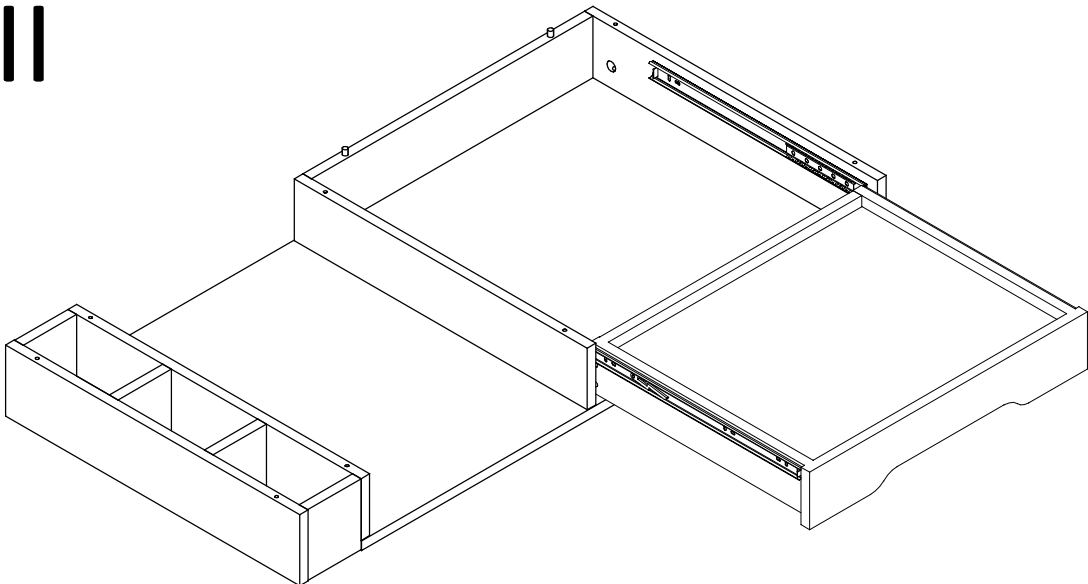
V



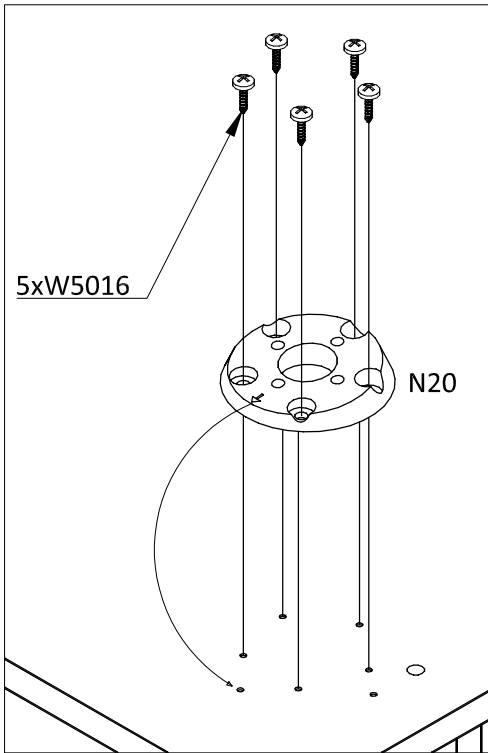
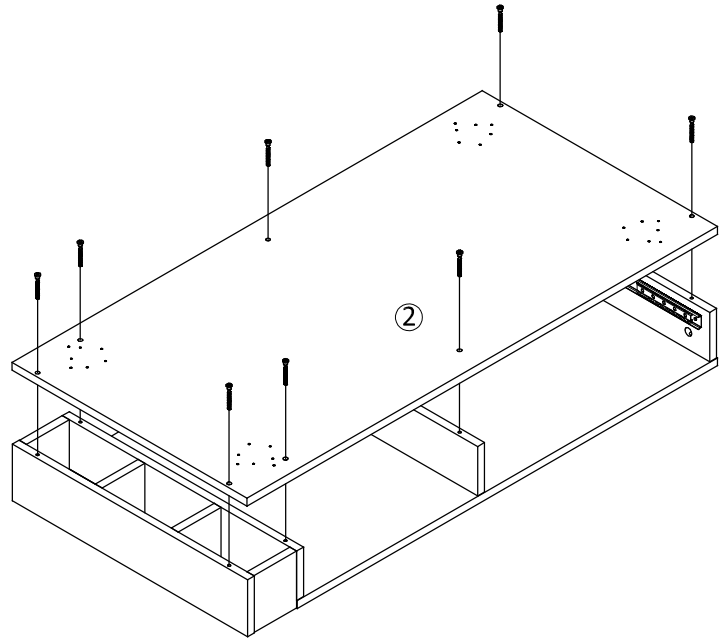
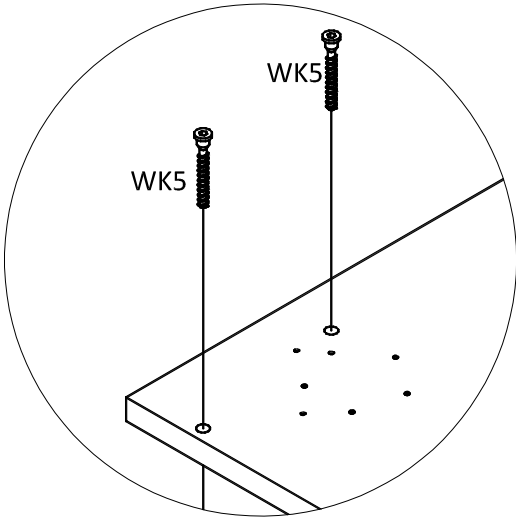
VI



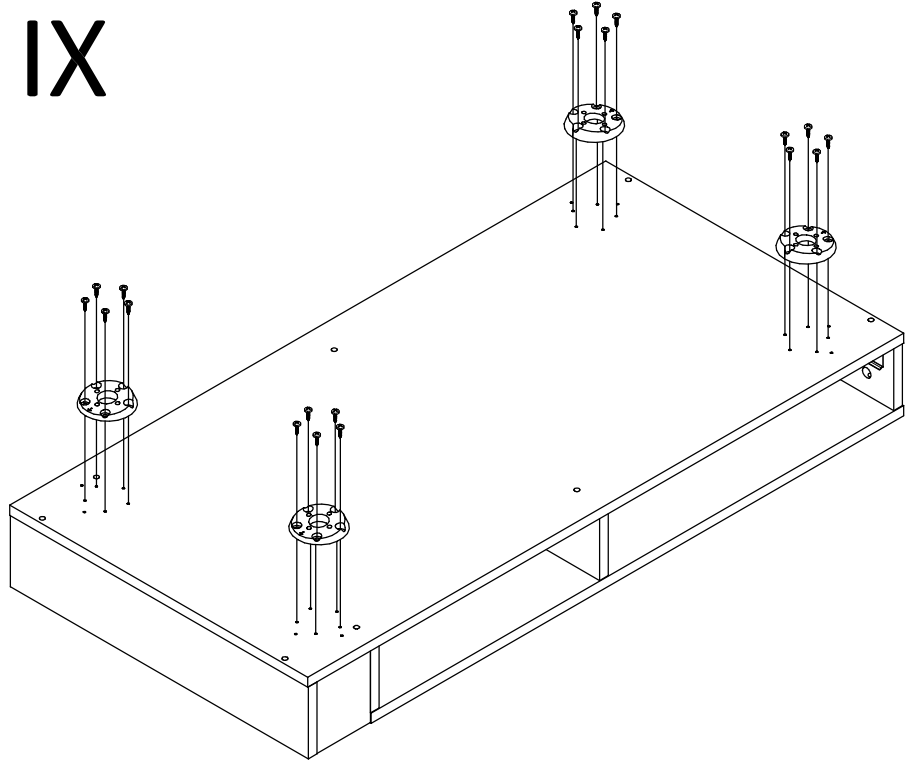
VII



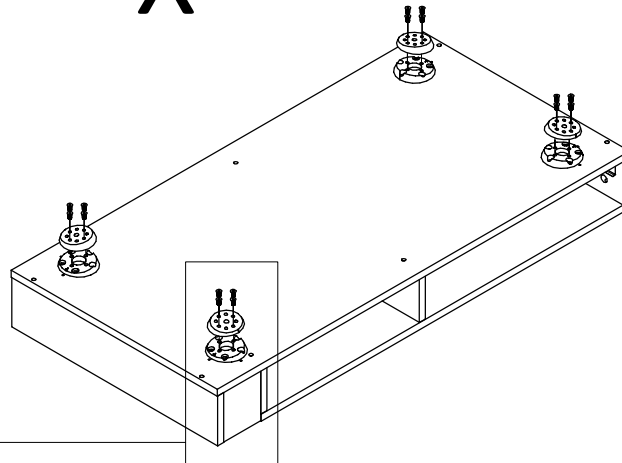
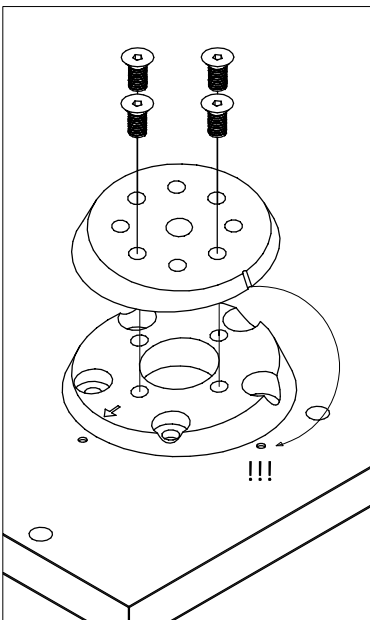
VIII



IX



X



XI

