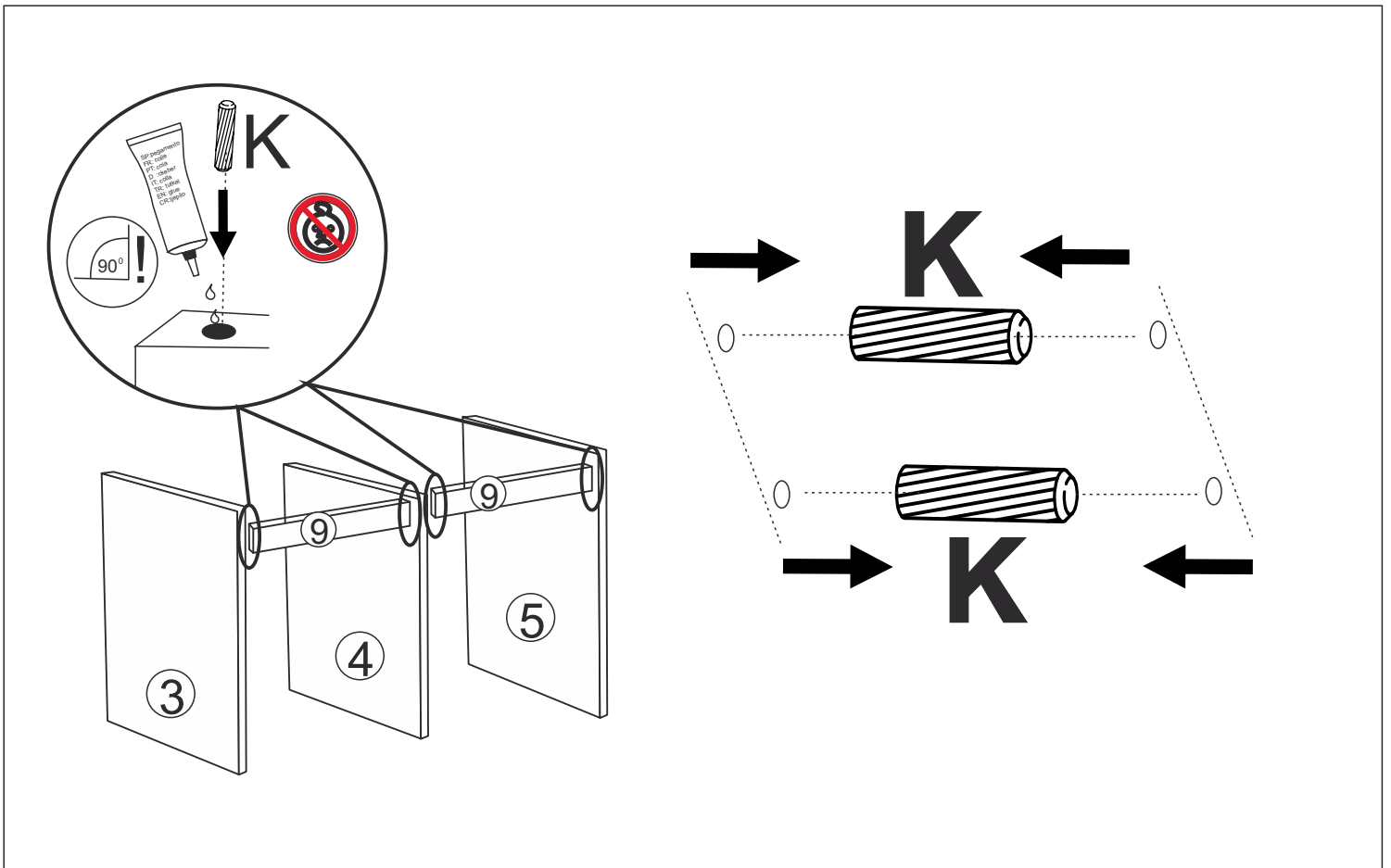
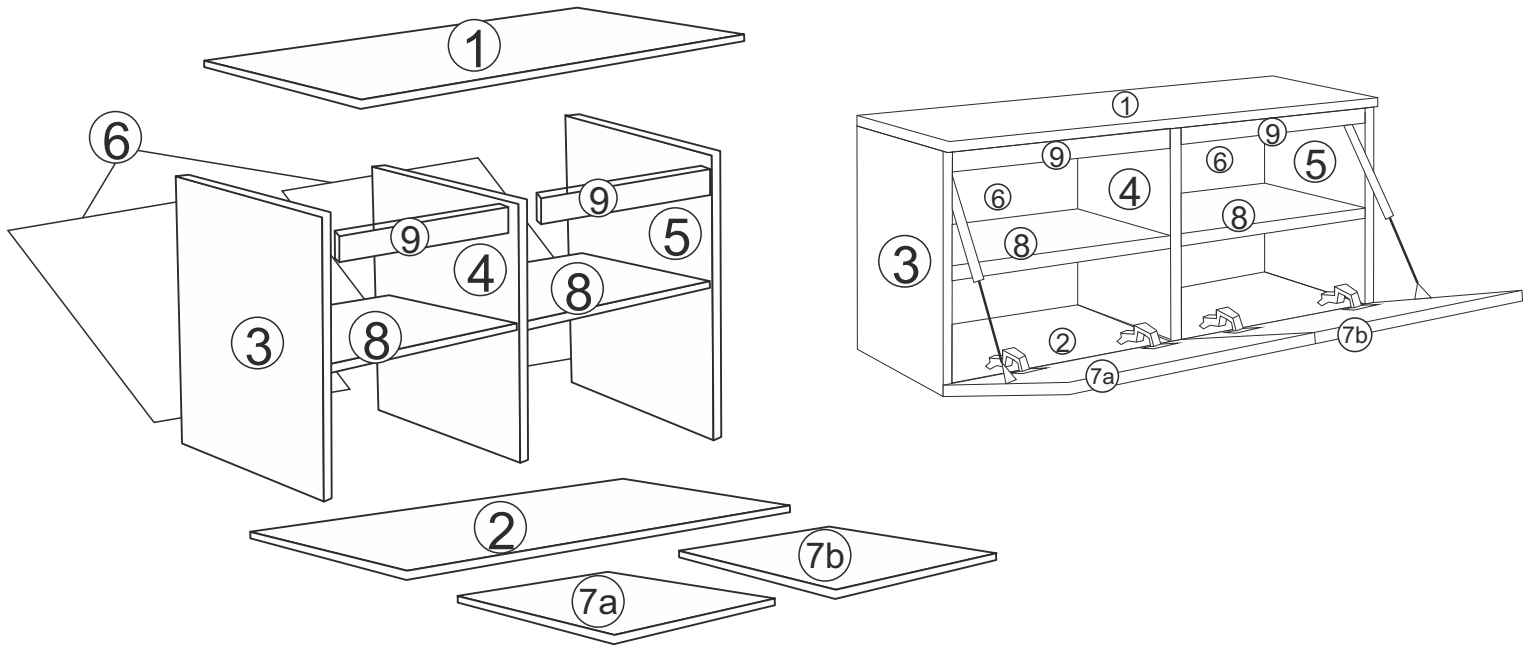
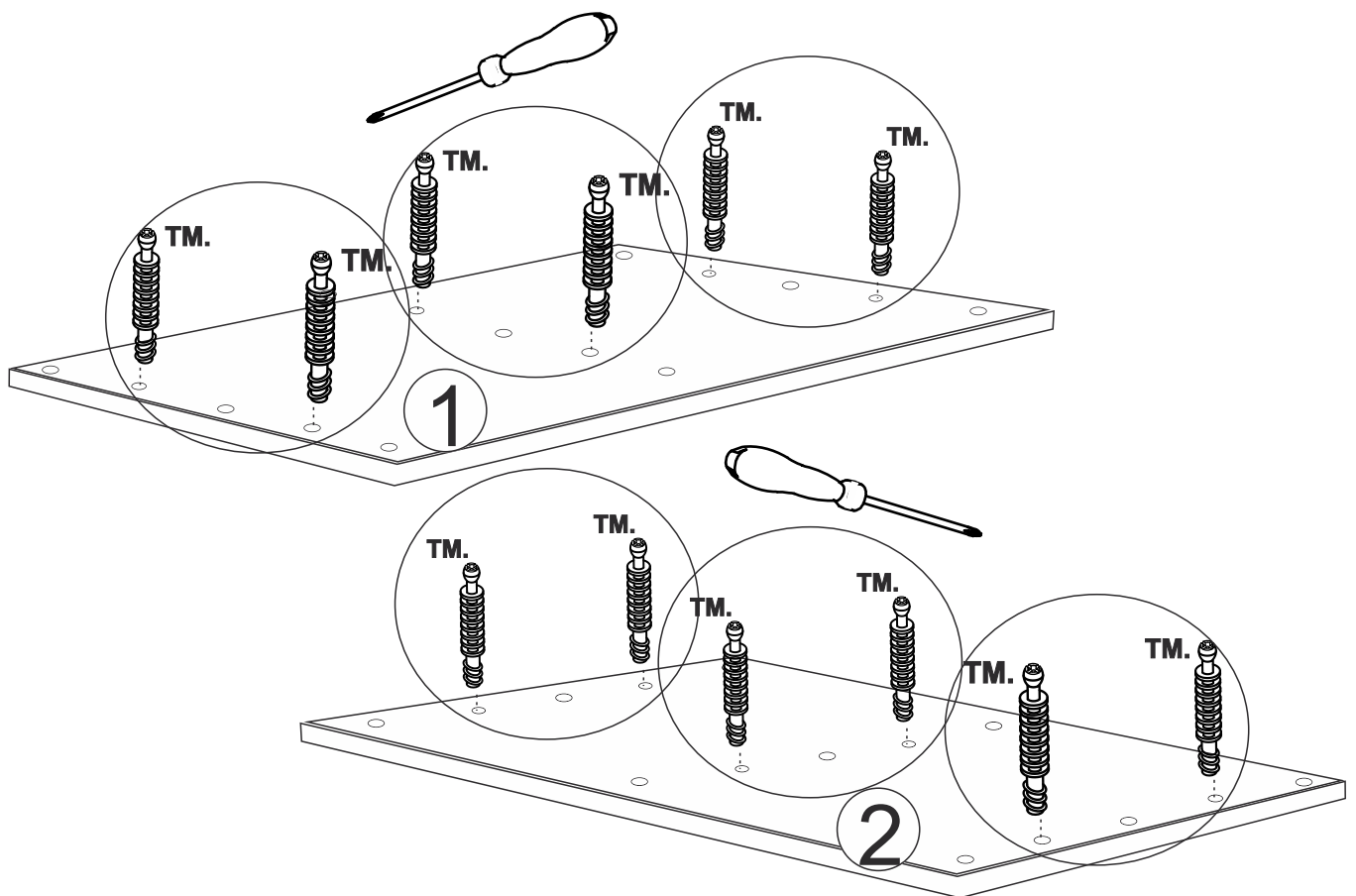
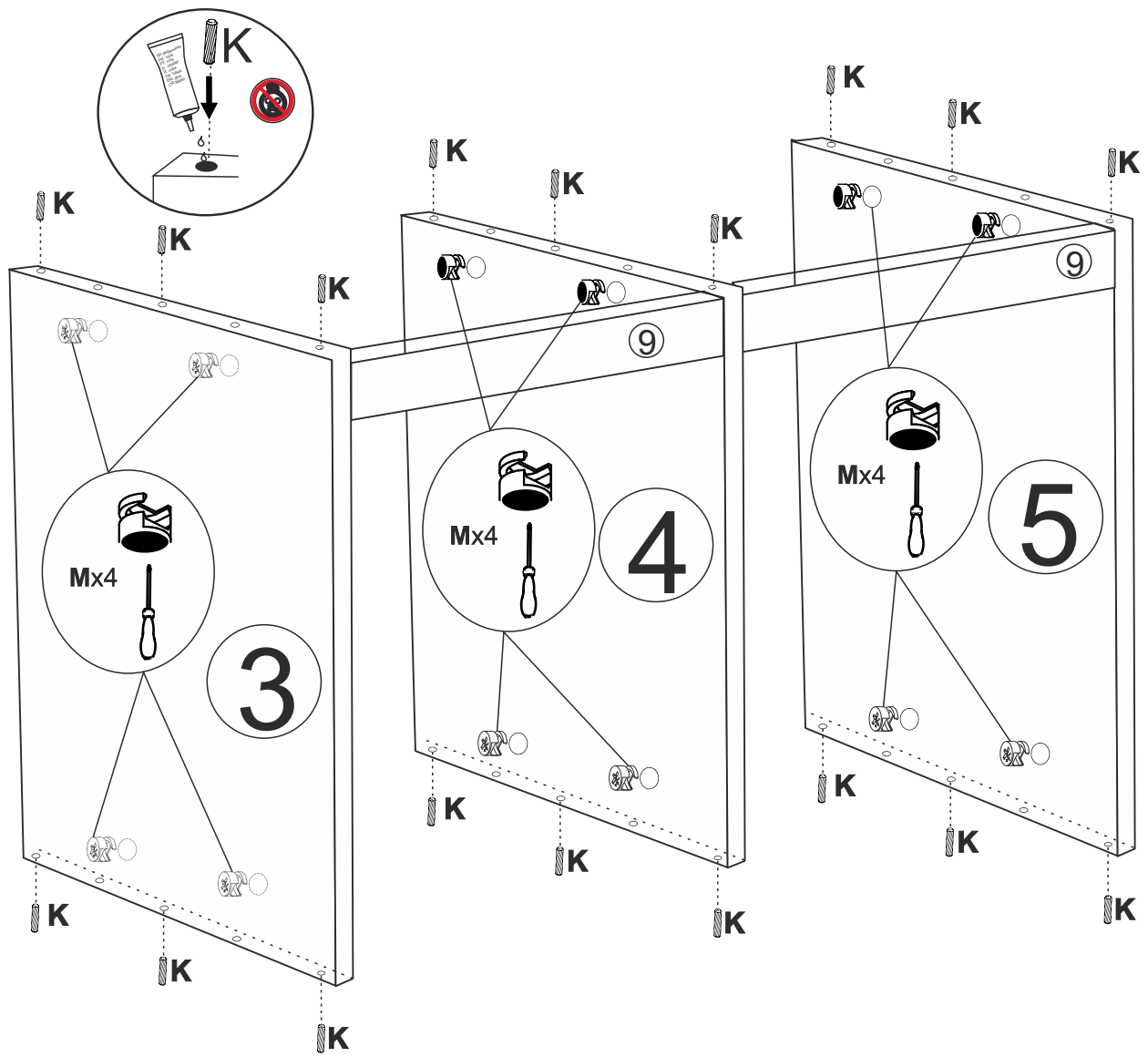
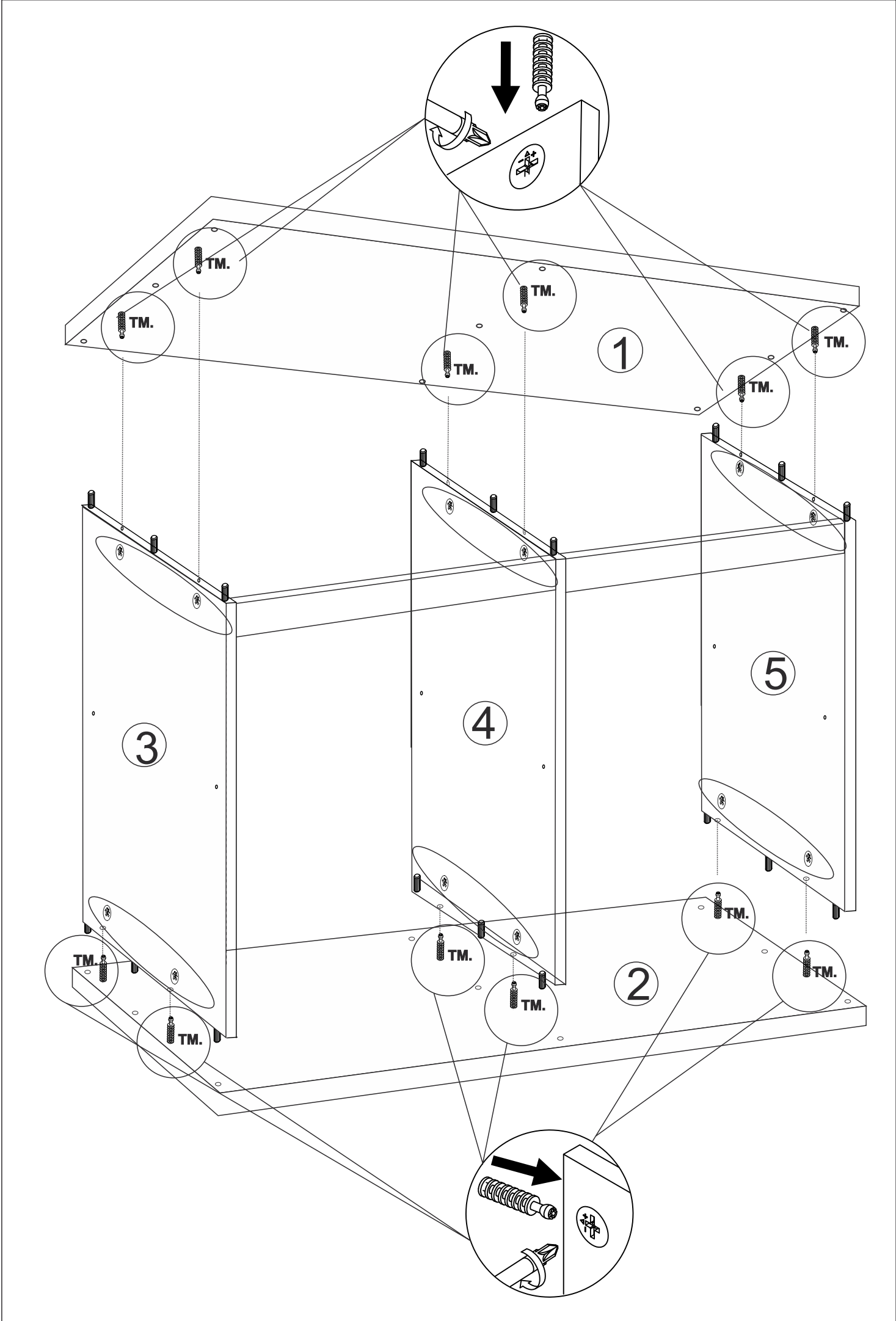
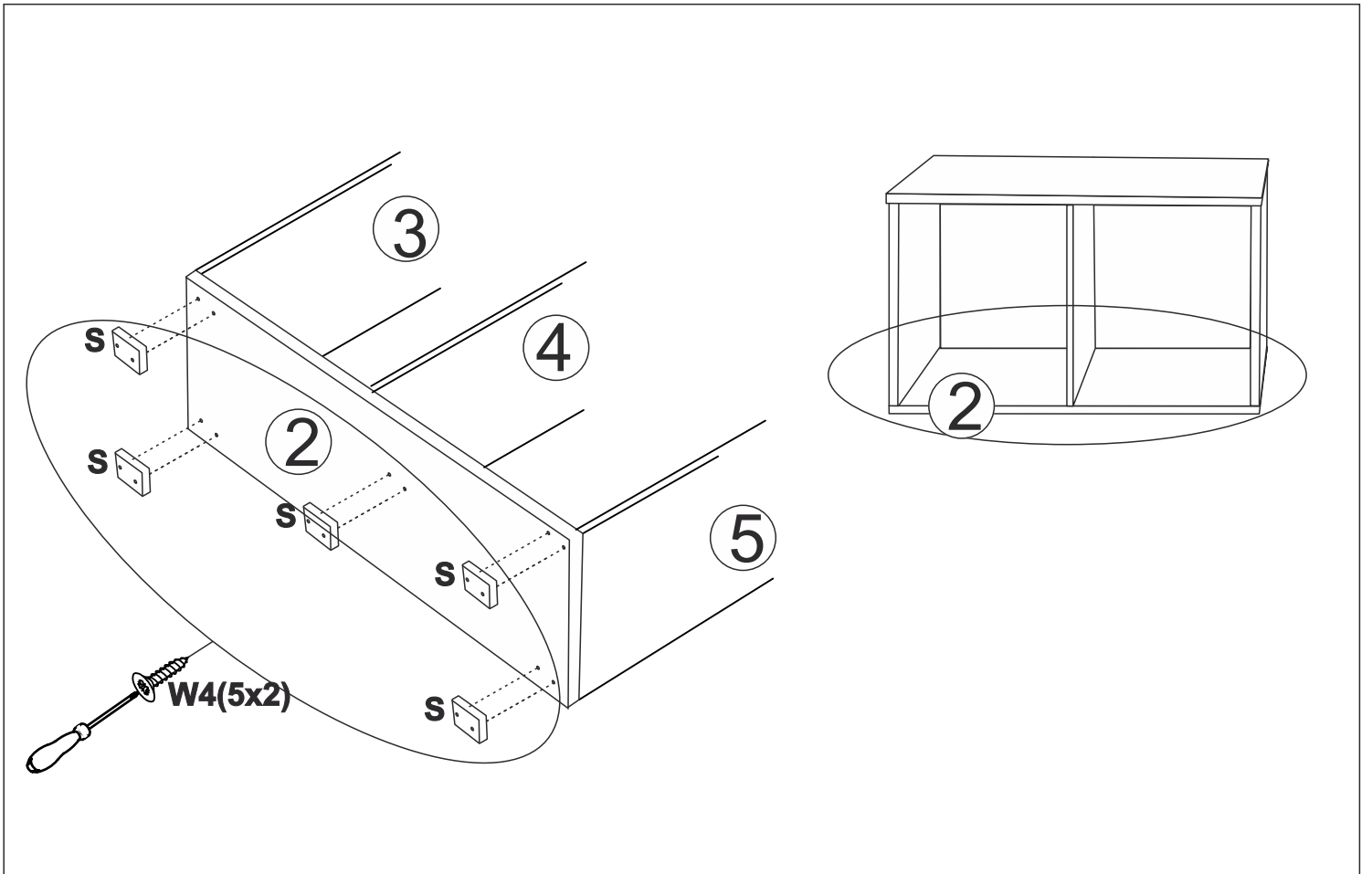
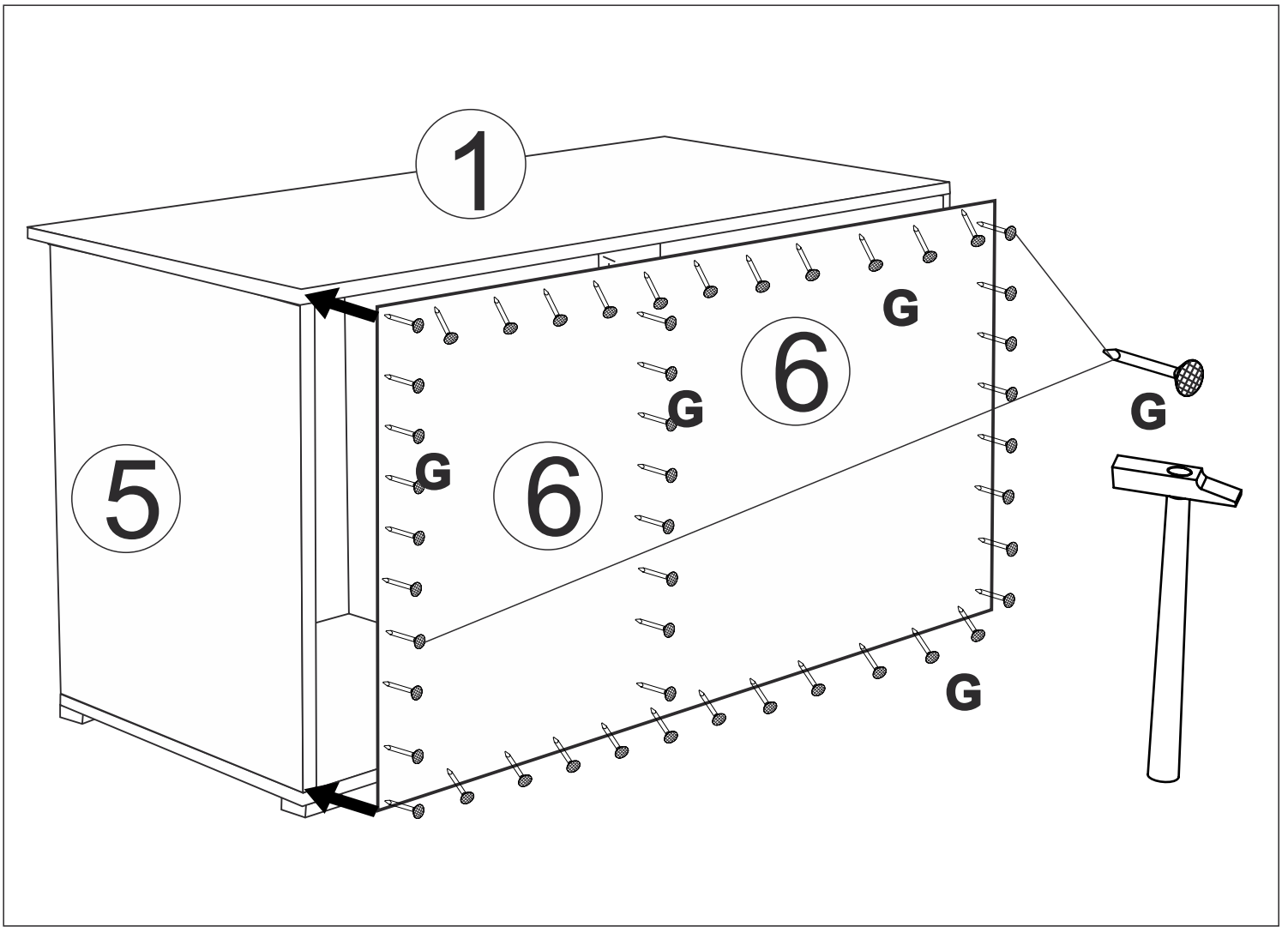


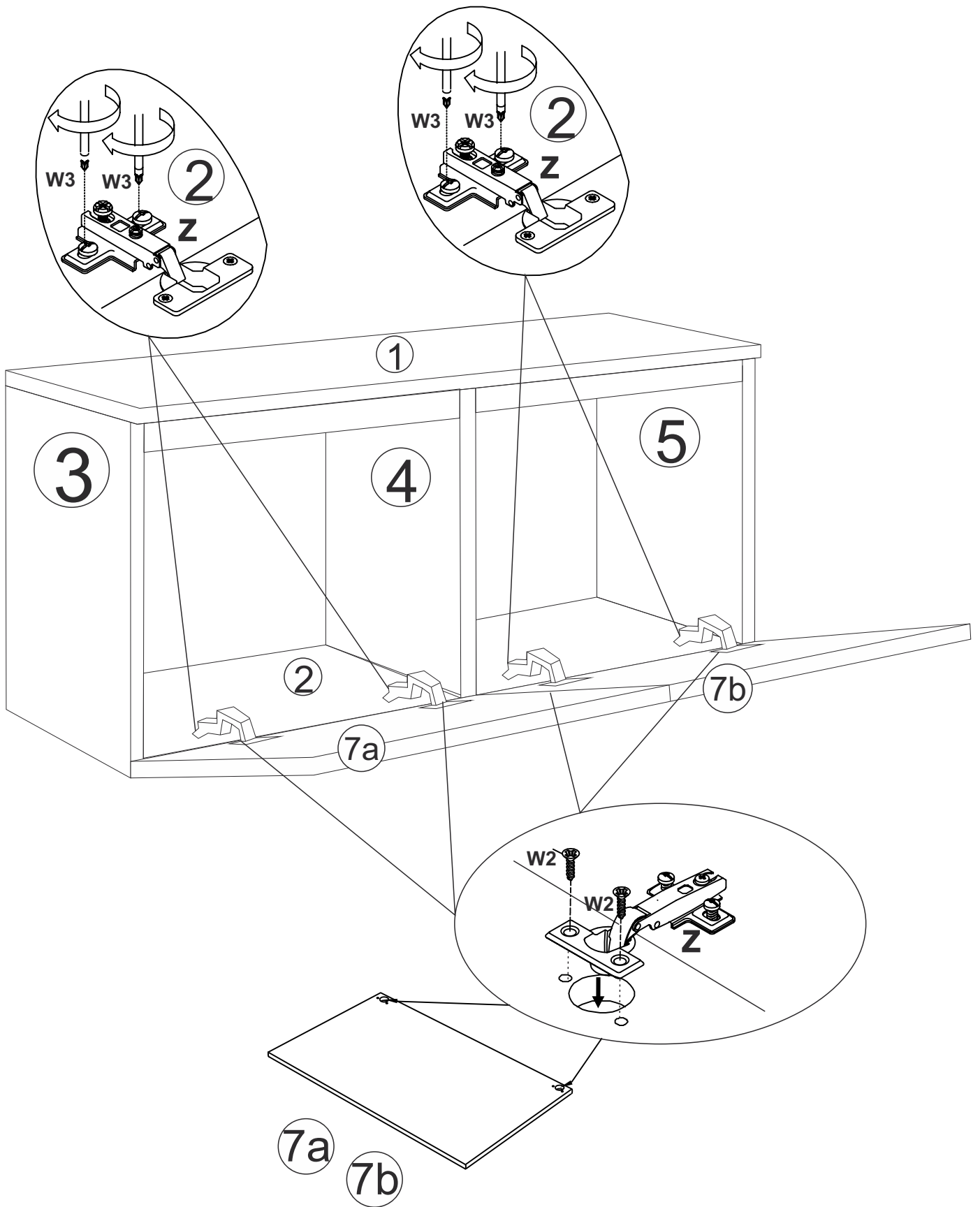
			Kx26szt 	TMx12 	Mx12 	G
W2 16x3,5mm x18	W3 16mmx6 x8	W4 25mmx3,5 x10	S x5	C x8		

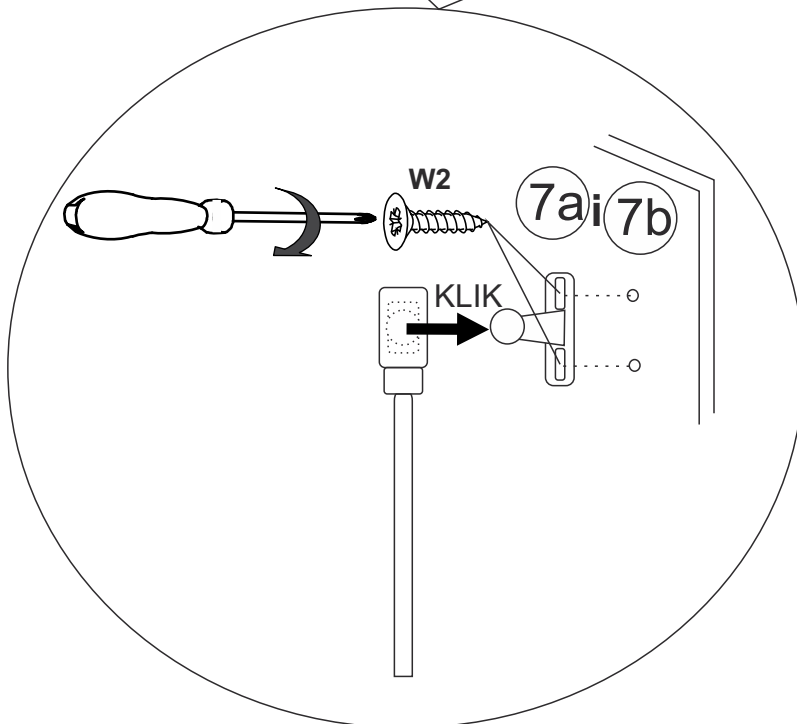
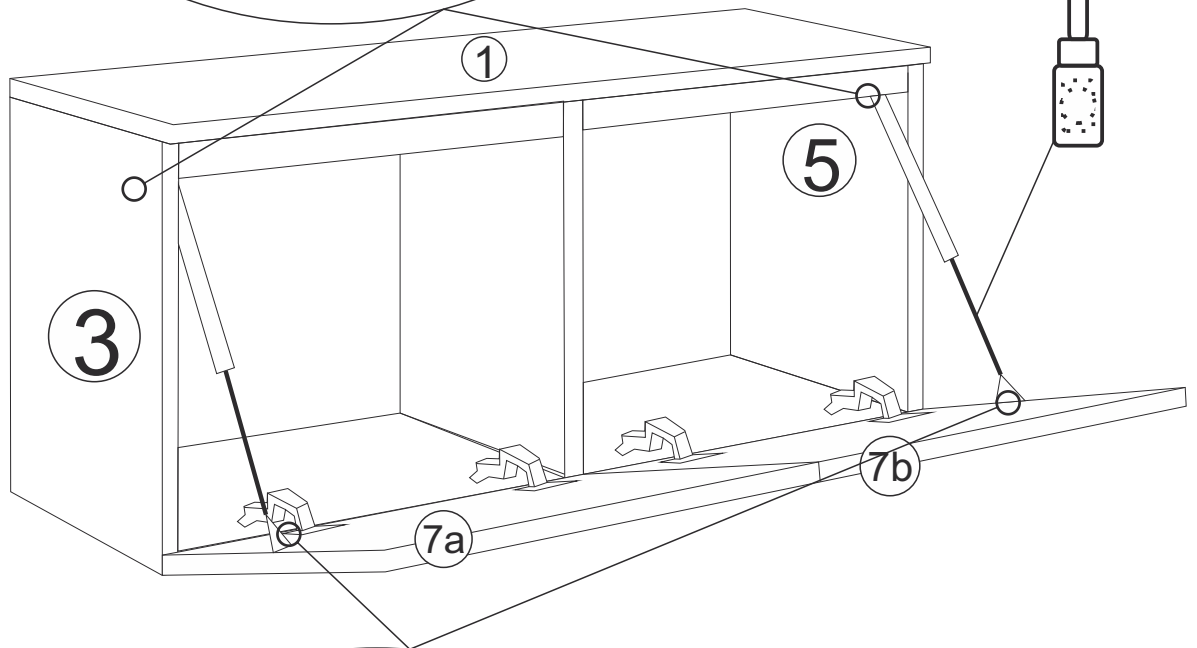
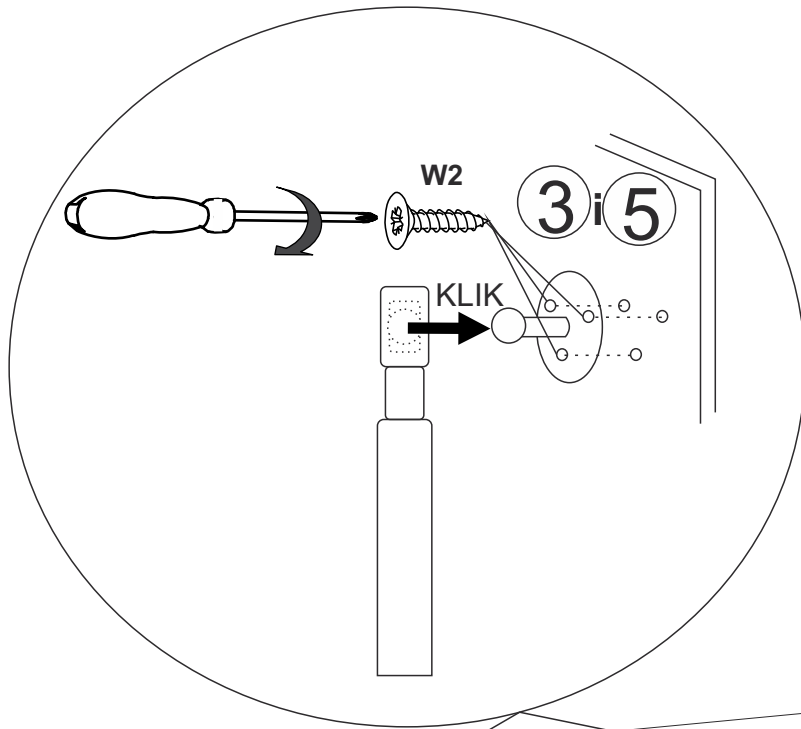


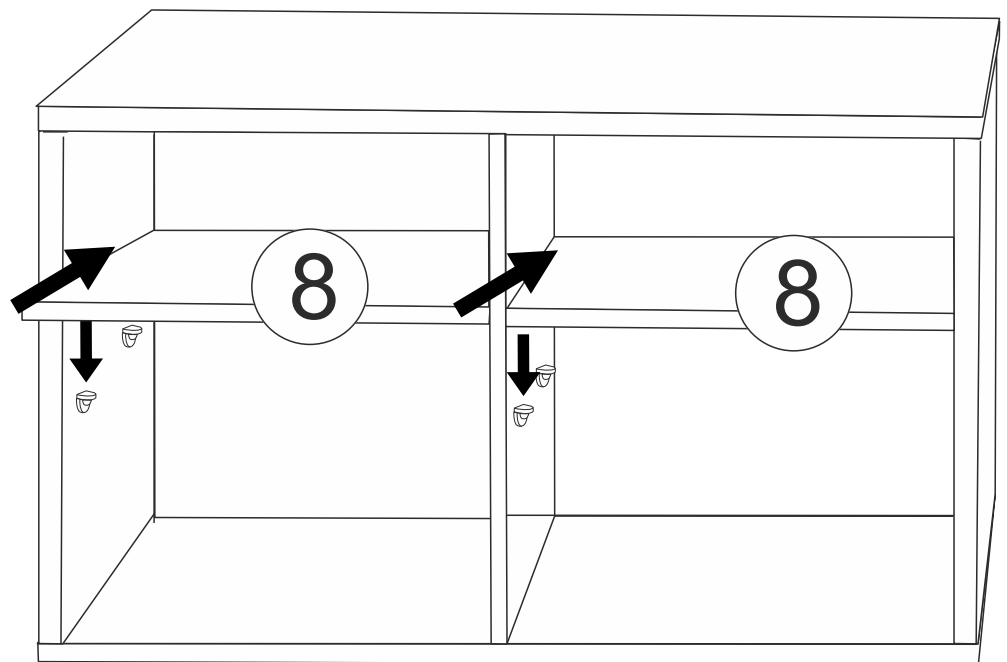
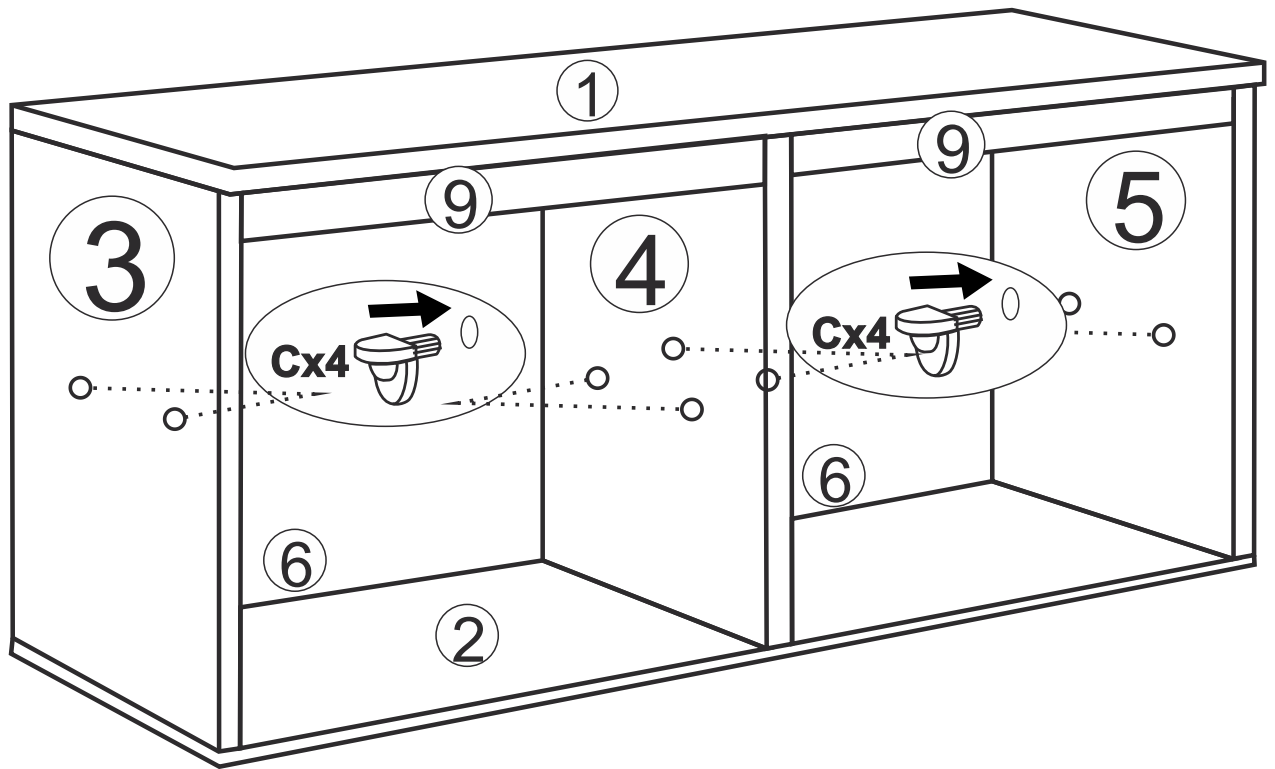









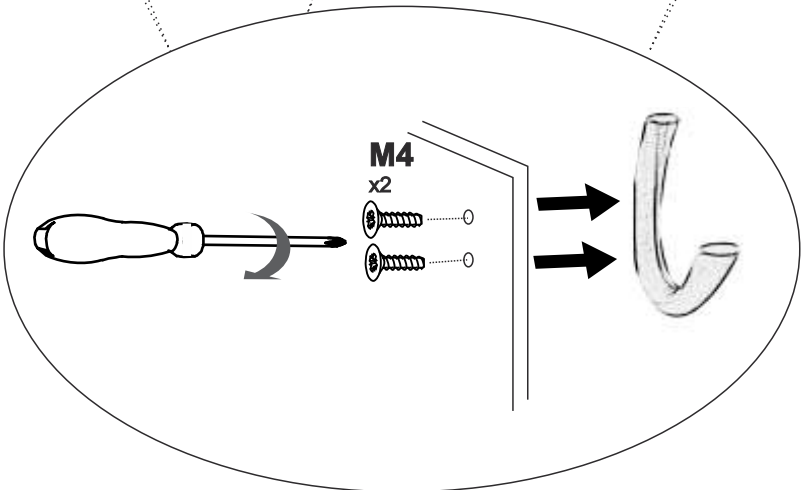
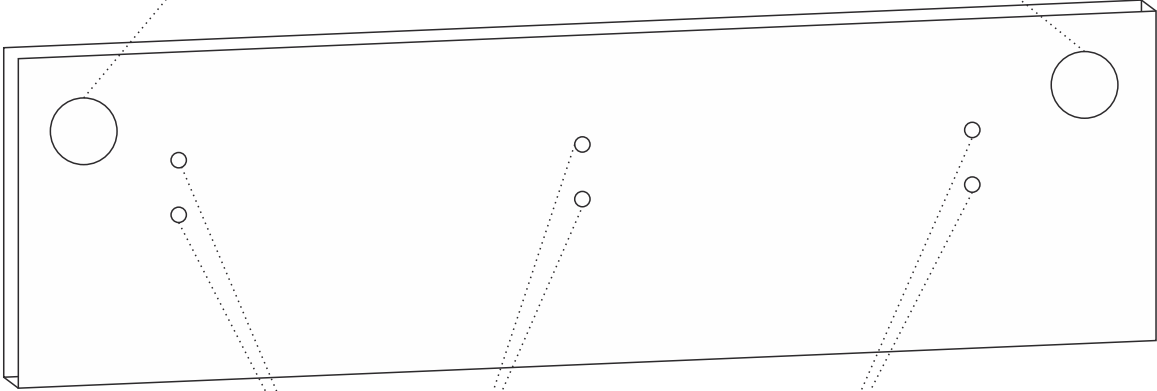
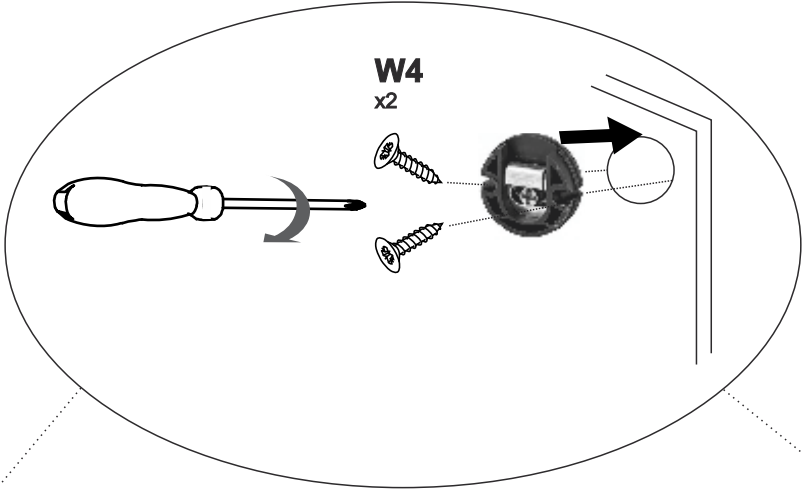
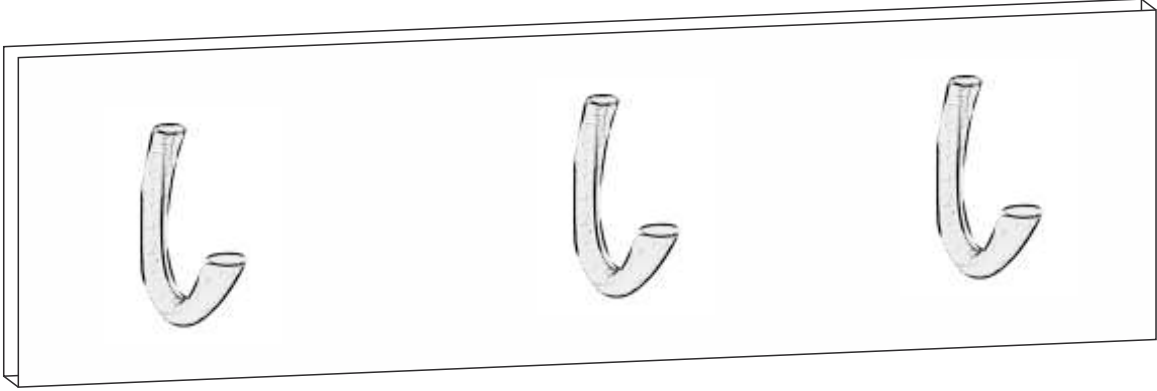


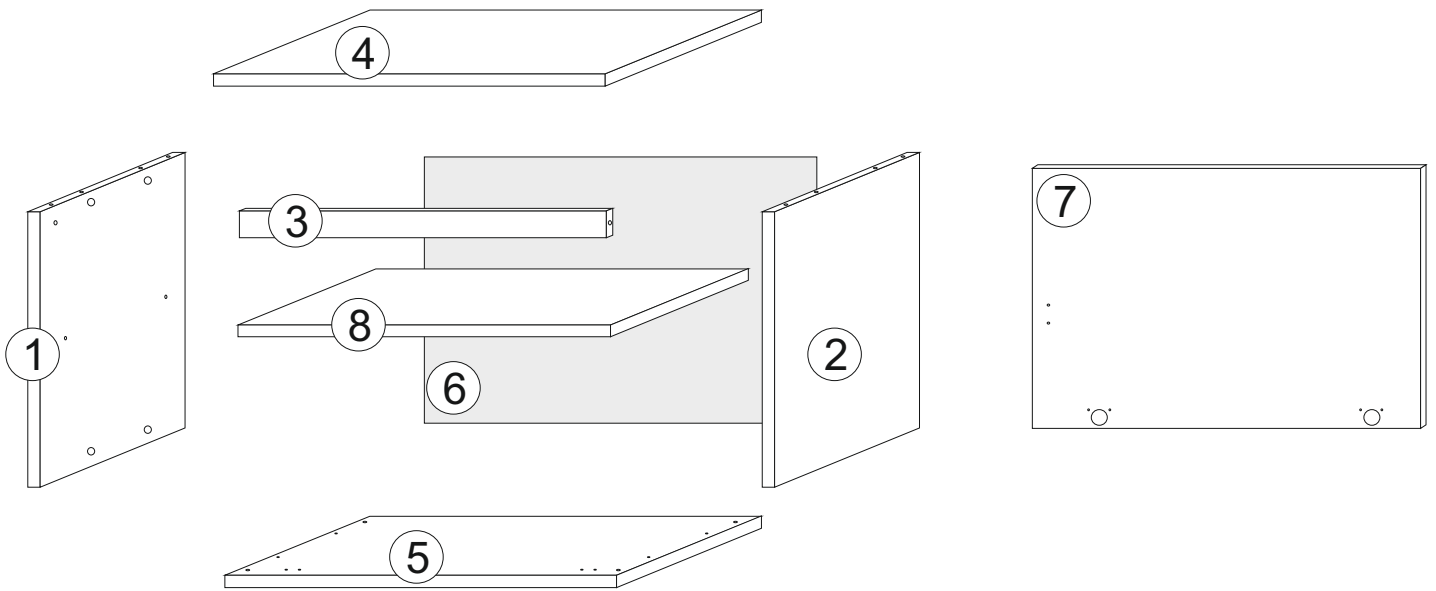
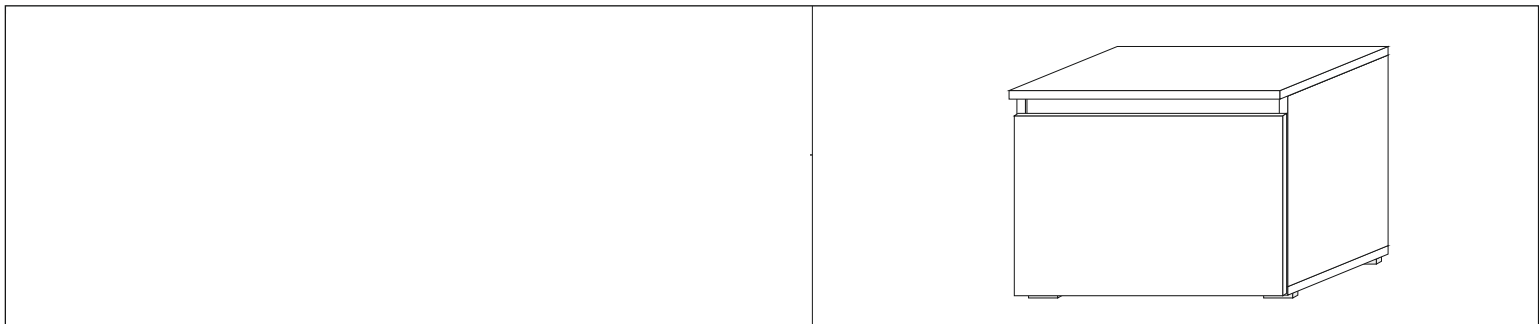


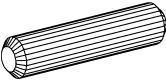
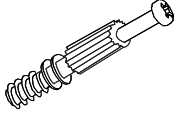
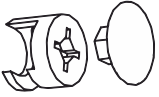
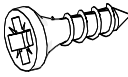

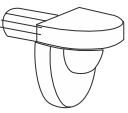
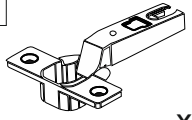
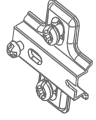
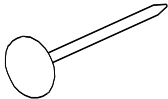
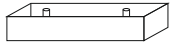



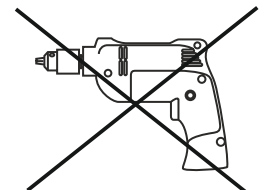
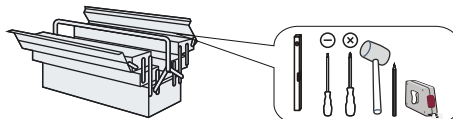
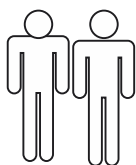
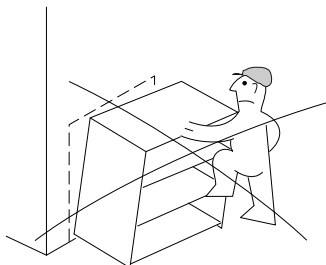


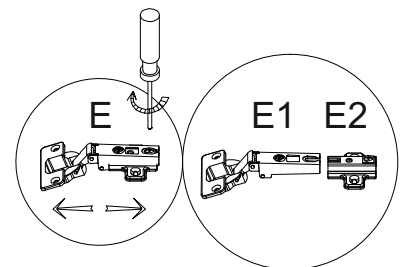
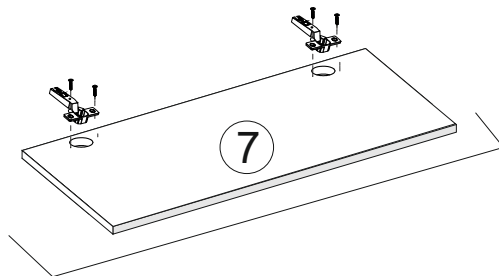
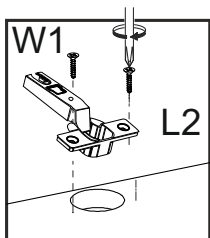
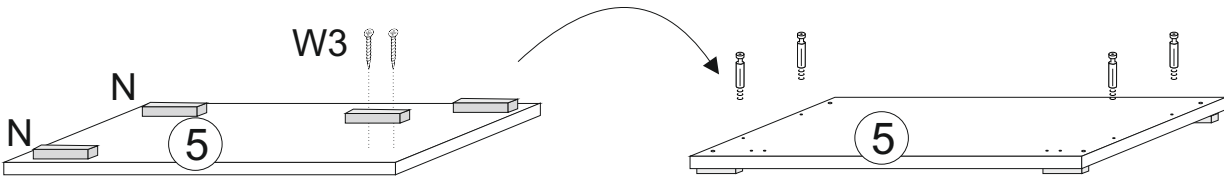
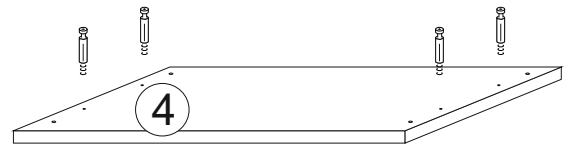
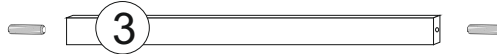
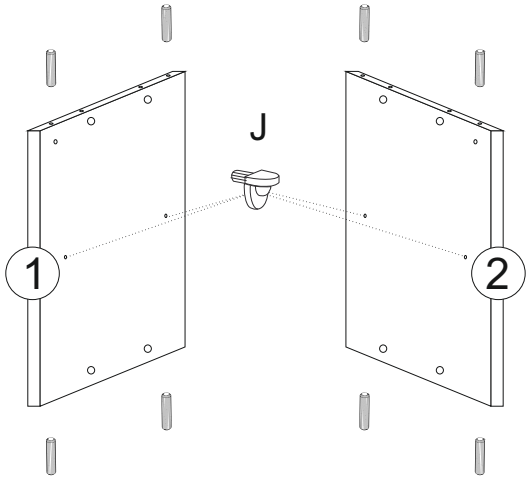
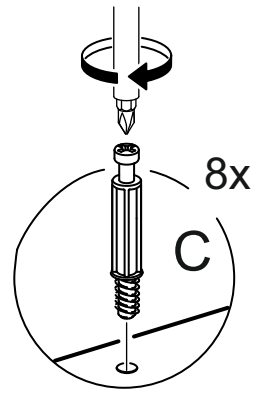
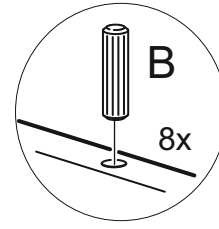
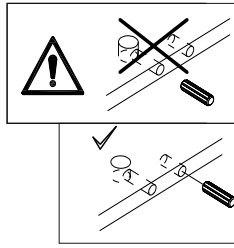
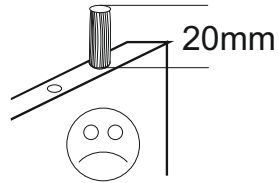
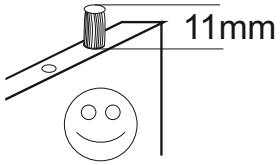
	M4 25mmx4  x6	 x3	 x2	W4 16mmx3,5  x4
---	--	---	---	--



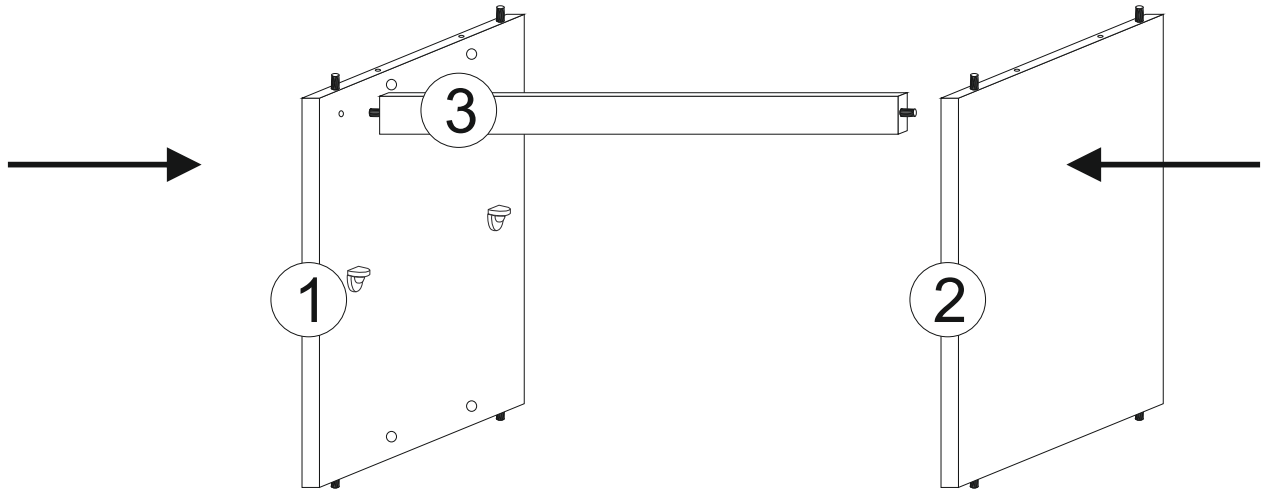


B  x10	C  x8	D  x8	W1 3.5x16  x9	W3 3.5x25  x8
J  x4	E1  x2	E2  x2	G  	N  x4
KI  x1				

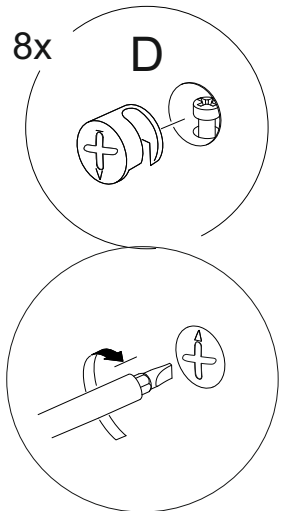
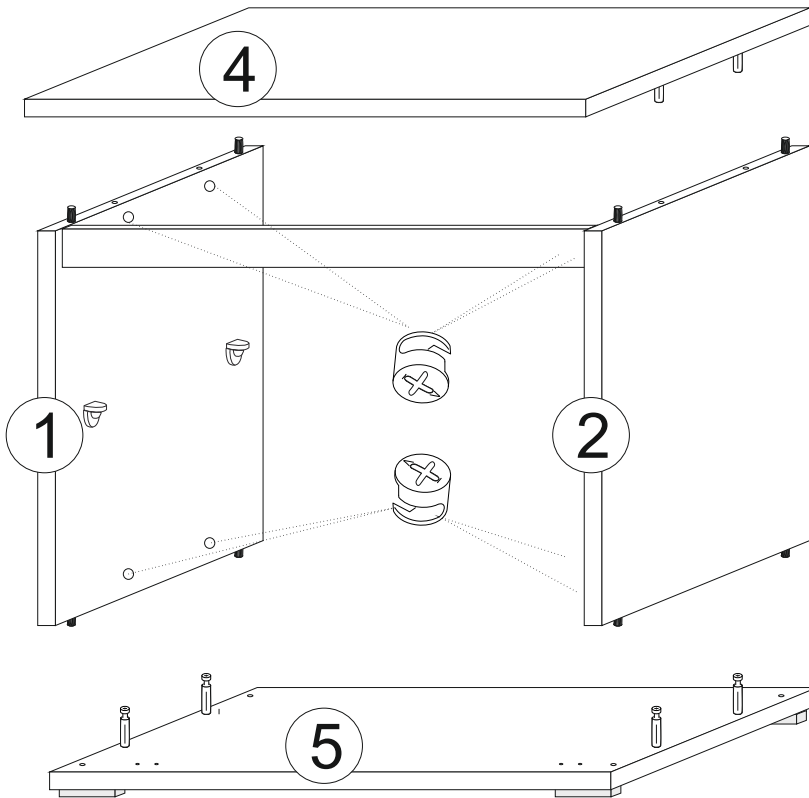




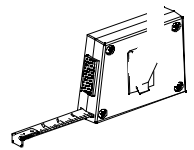
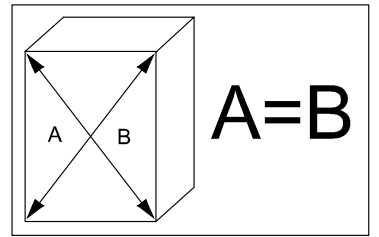
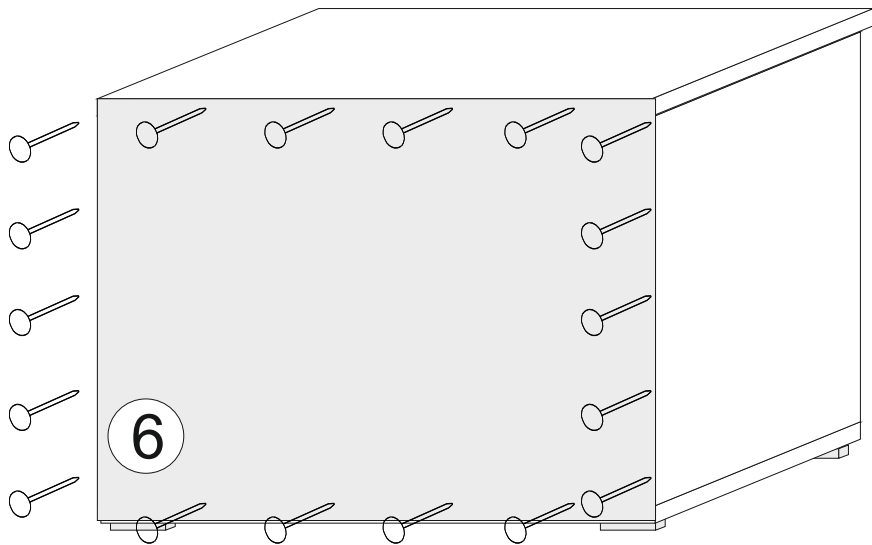
II



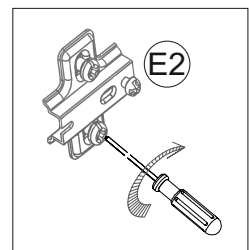
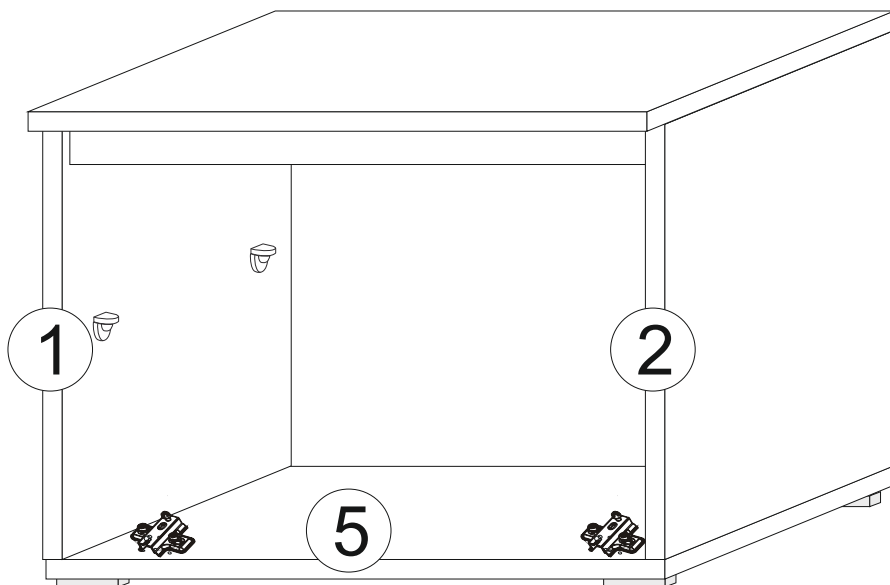
III



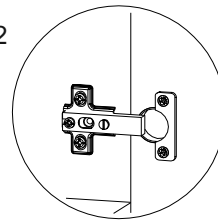
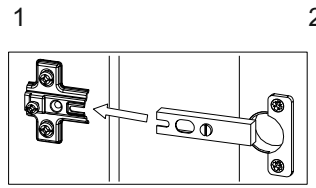
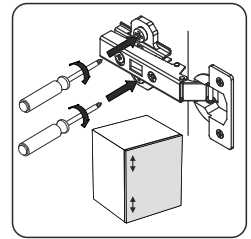
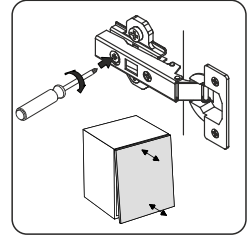
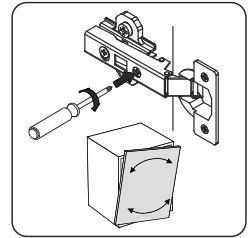
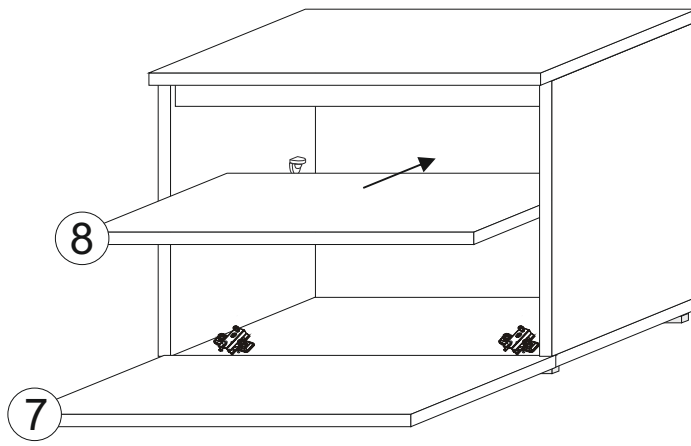
IV



V



VI



VII

