


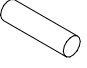





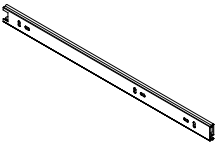
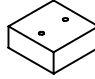
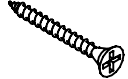
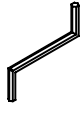
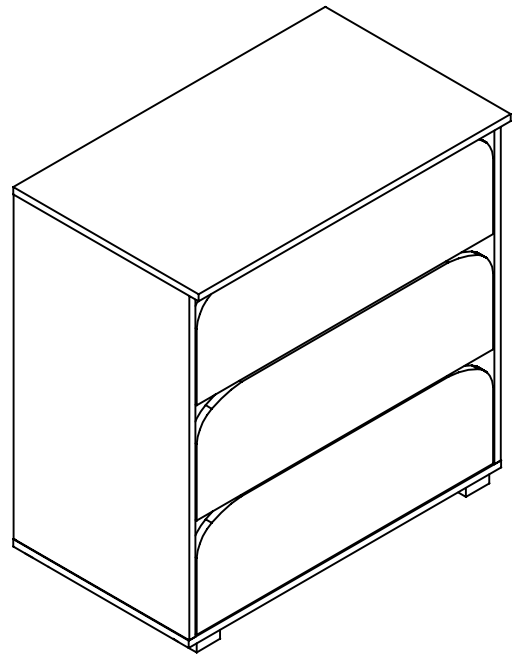
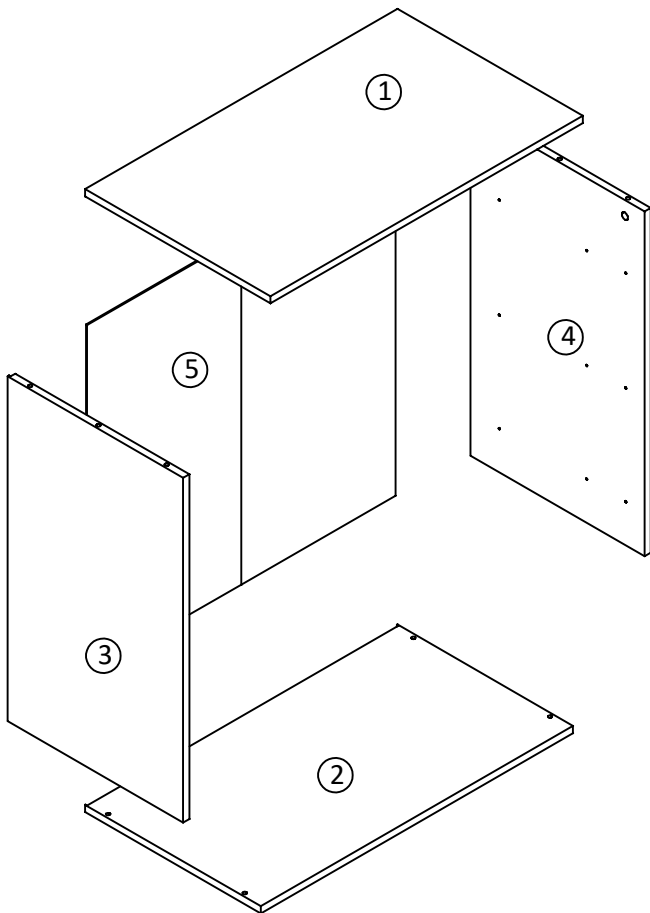
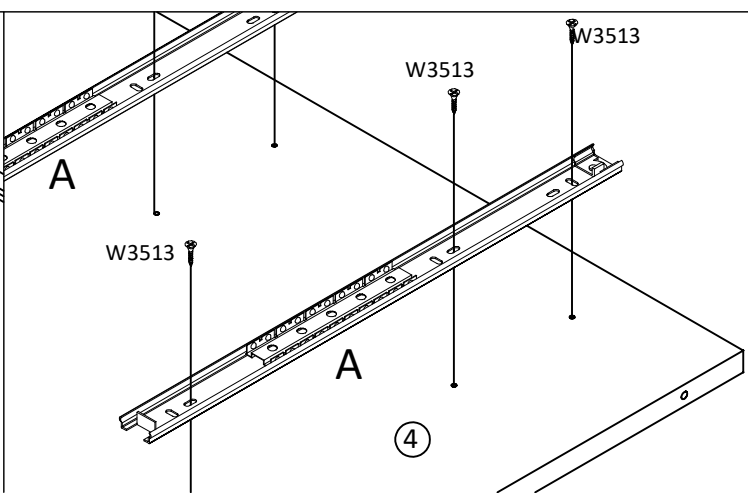
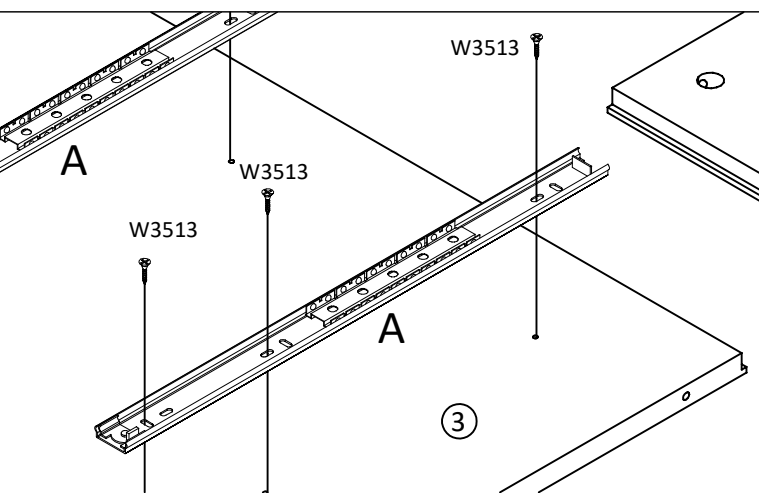
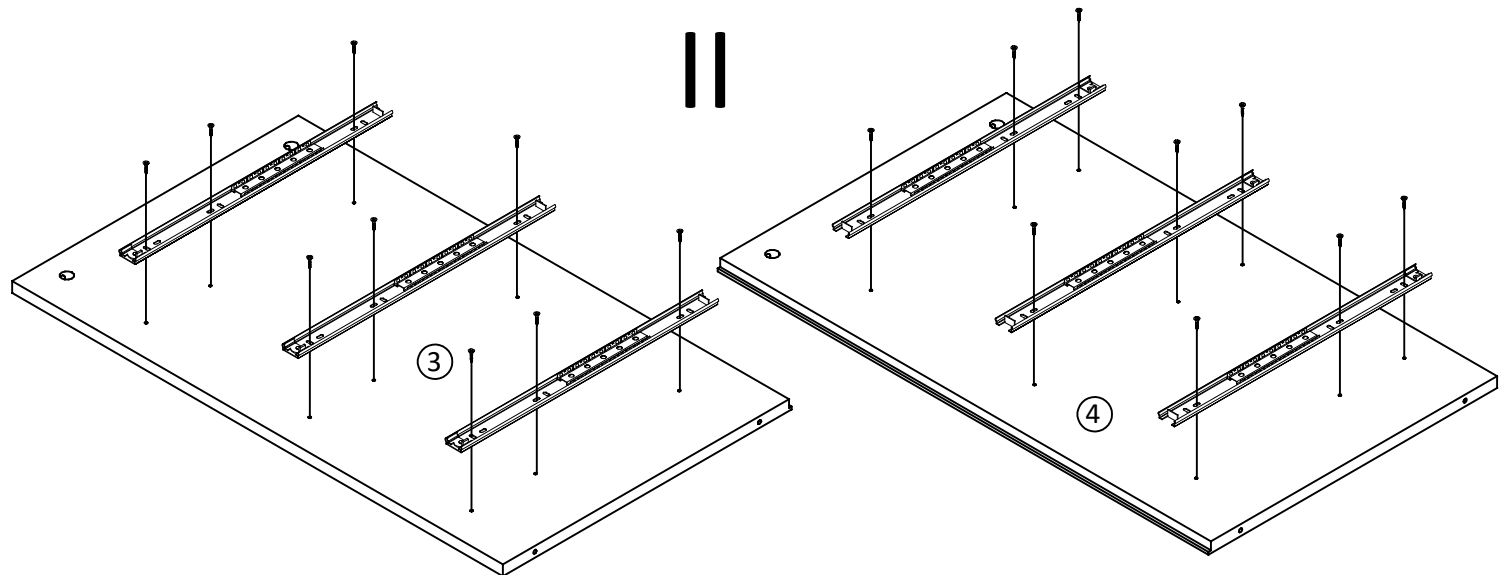
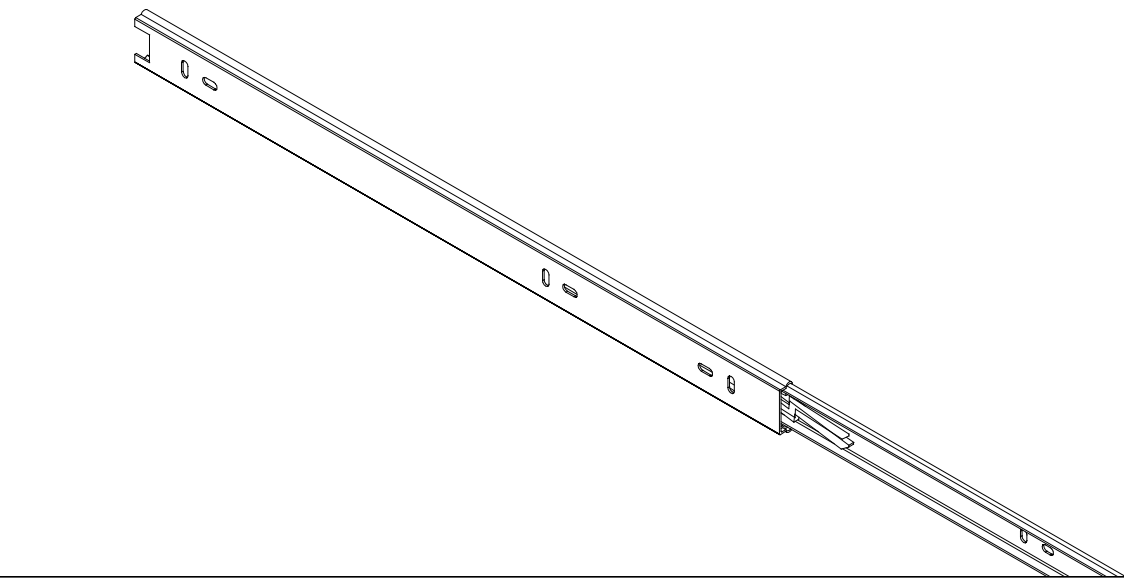


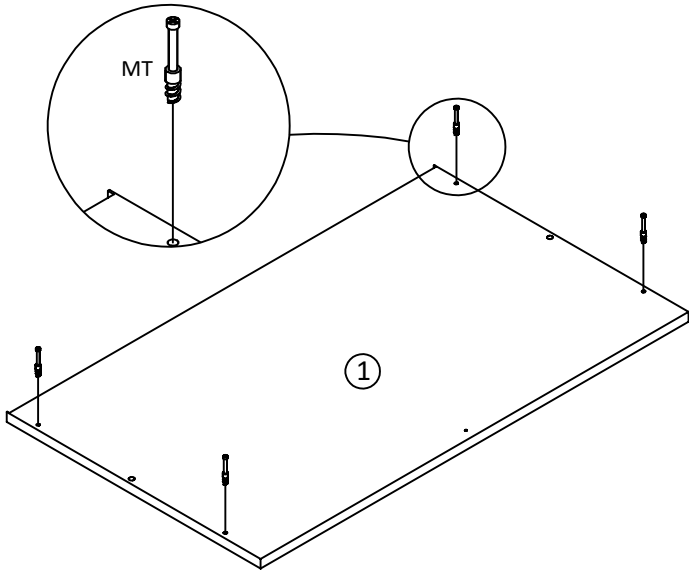
|   |   |   |   |   |  |  |
|---|---|---|---|---|--|--|
| <br>MT x16 | <br>M x16  | <br>7x50 WK5 x16 | <br>8x30 D8 x2 | <br>3.5x13 W3513 x36 | <br>3.5x16 W3516 x1 | <br>A02 x30 |
| <br>A06 x1 | <br>A05 x1 | <br>PK x6        |   | <br>S2 x4          | <br>3.5x30 WS x8    |  |
| <br>A01 x1 |   |   |   |   |  |  |



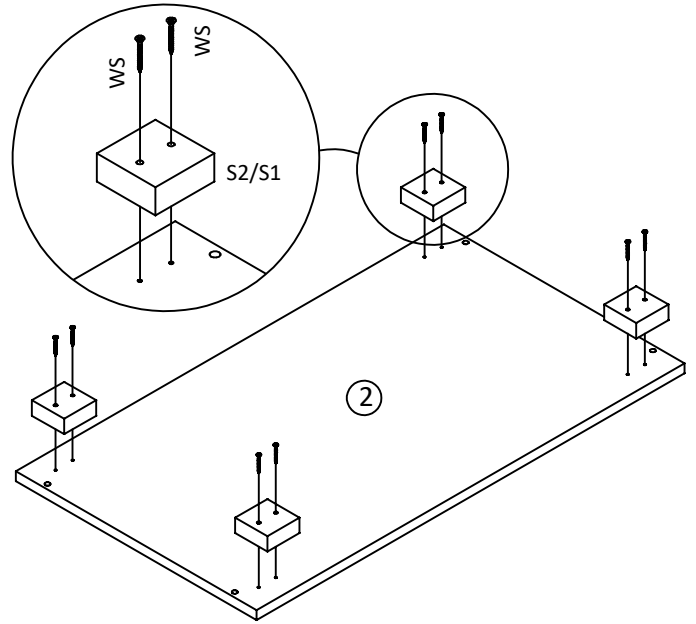
I



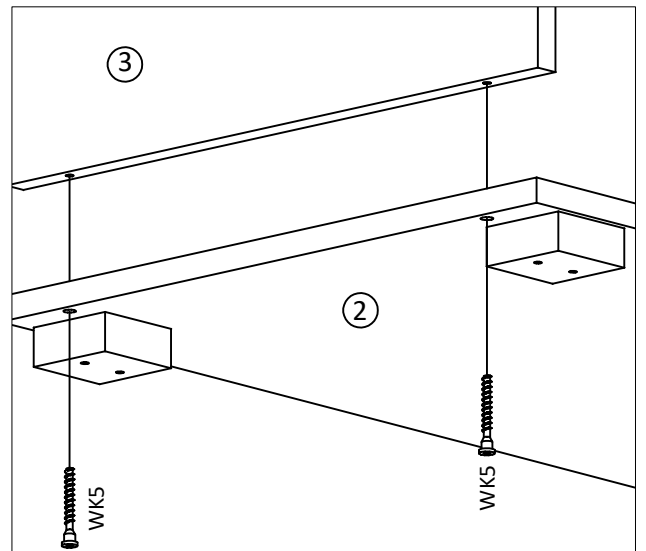
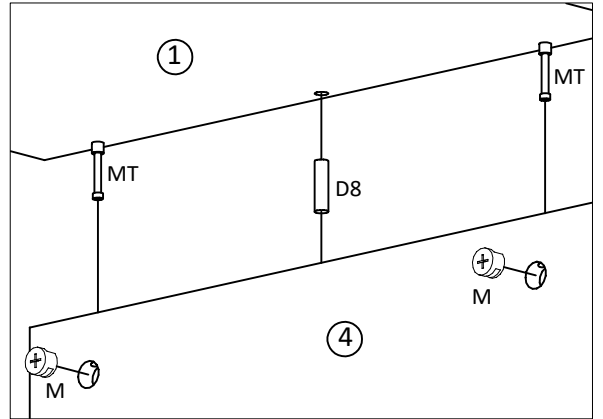
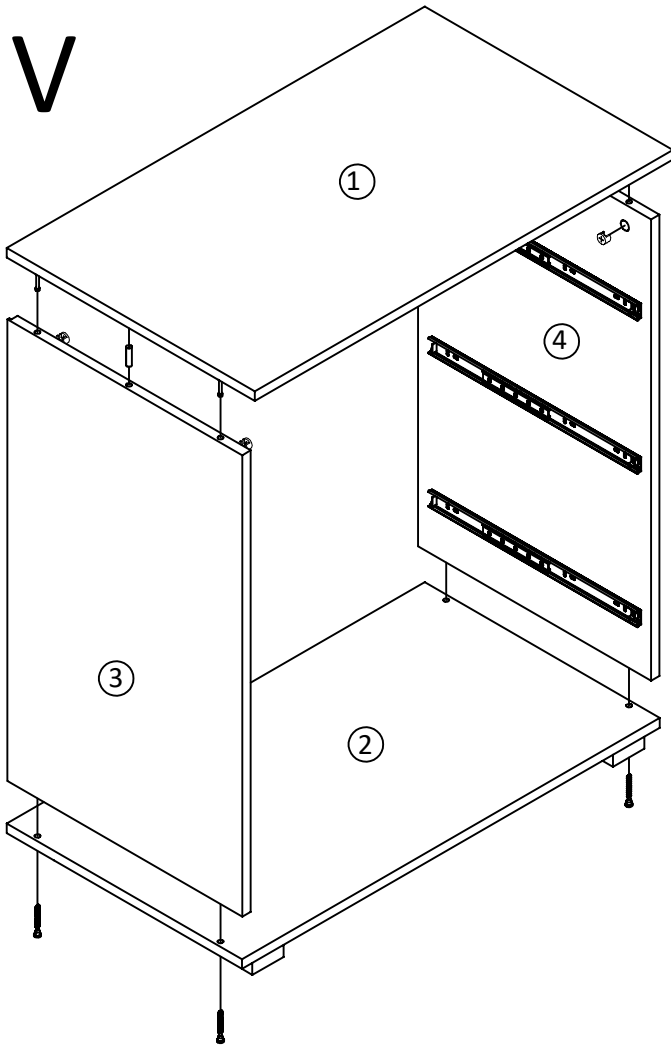
# III



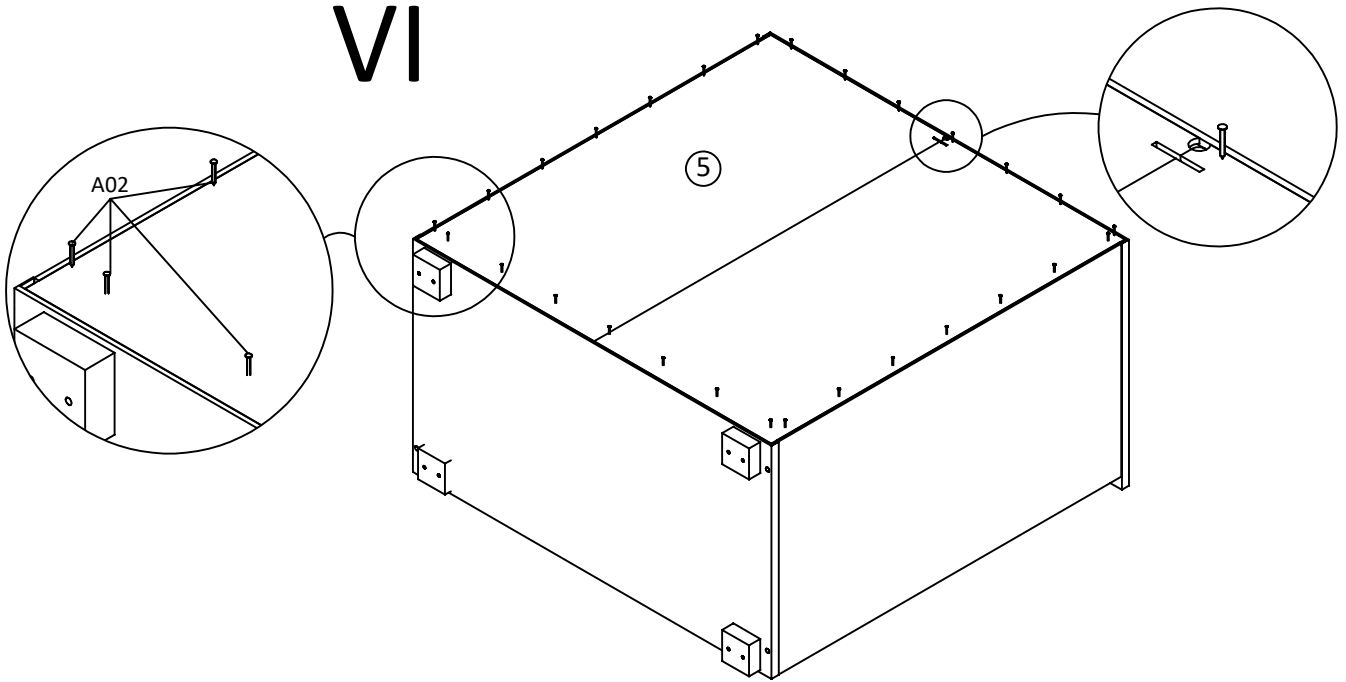
# IV



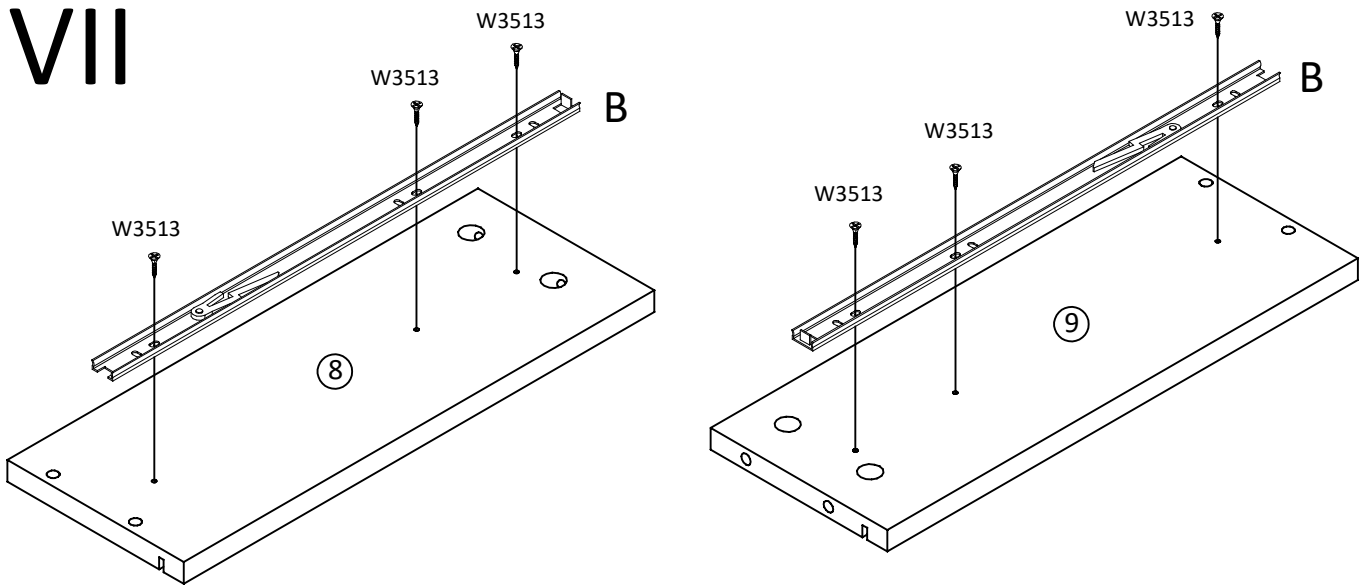
# V



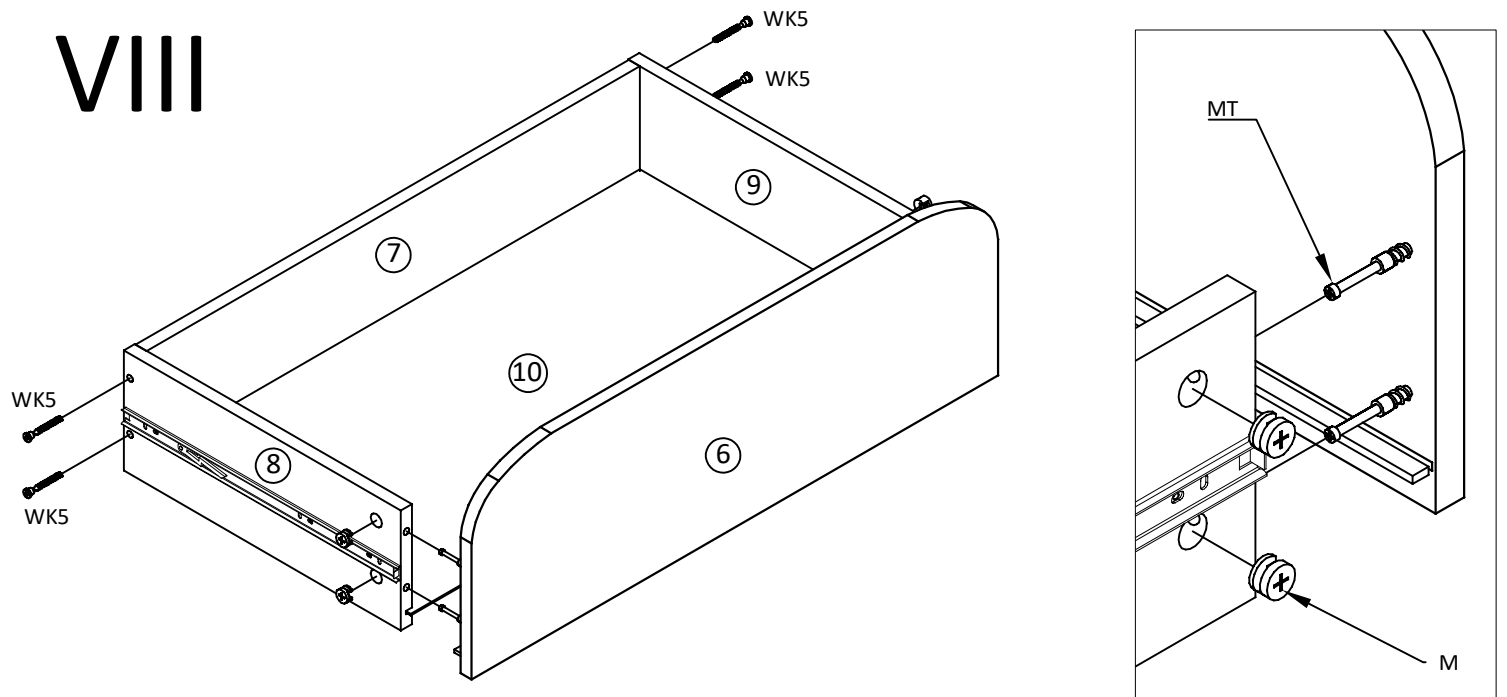
# VI



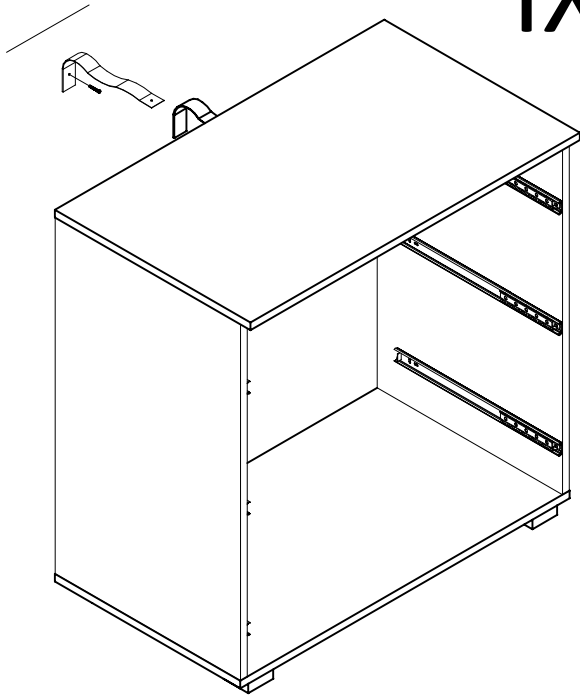
# VII



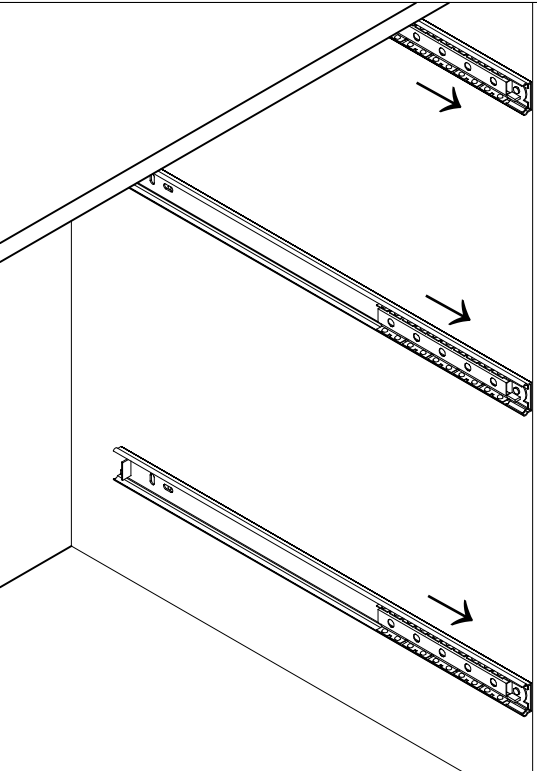
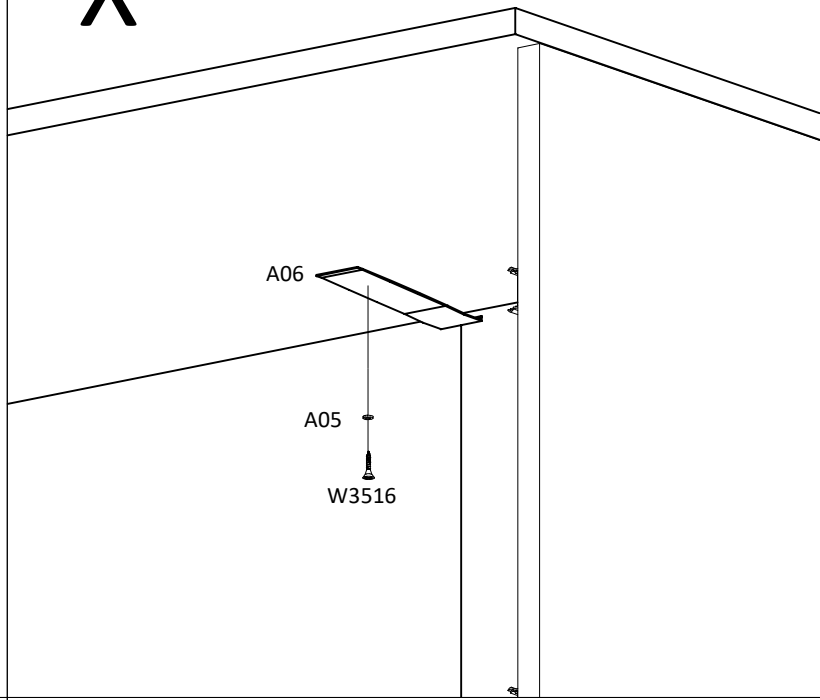
# VIII



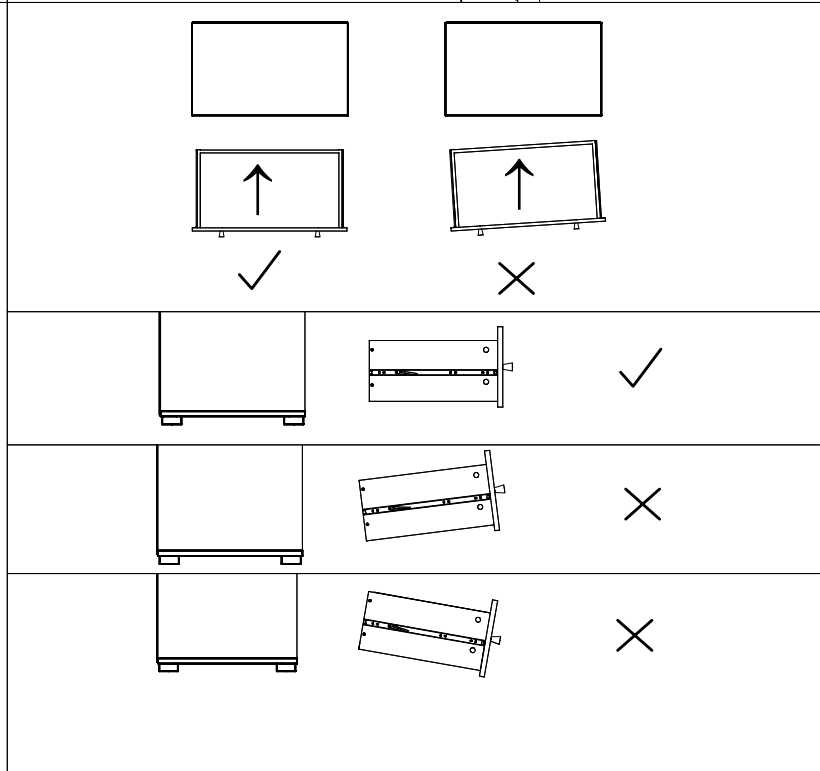
# IX



# X



# XI



# XII

