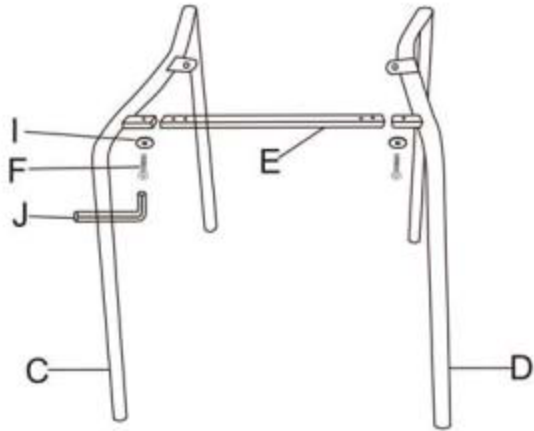
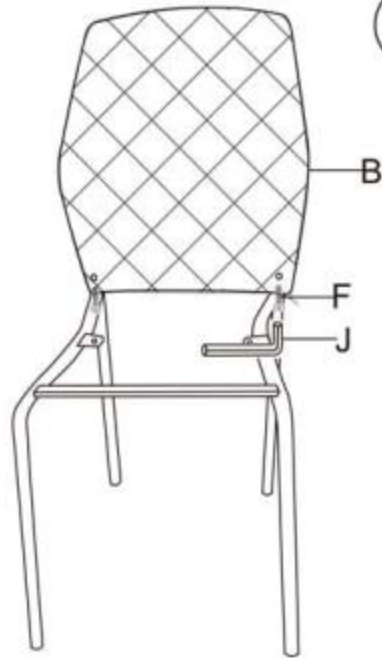


1



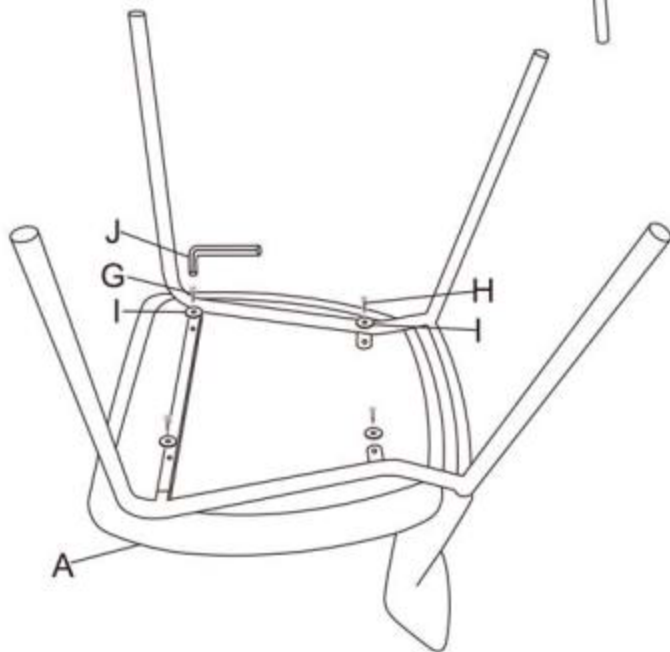
2



max. 120 kg



3



A		X1
B		X1
C		X1
D		X1
E		X1
F		X4
G		X2
H		X2
I		X6
J		X1