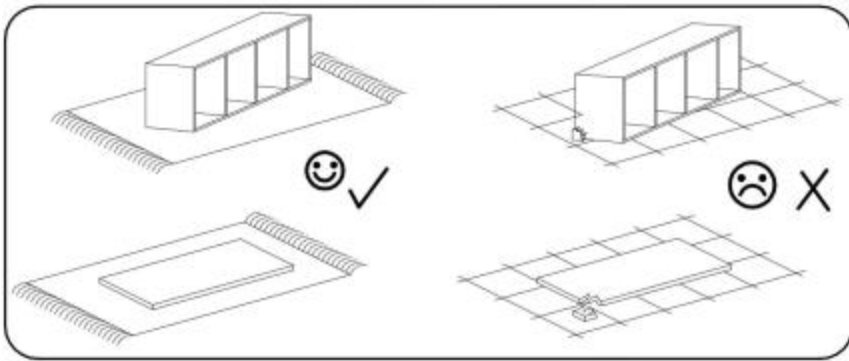



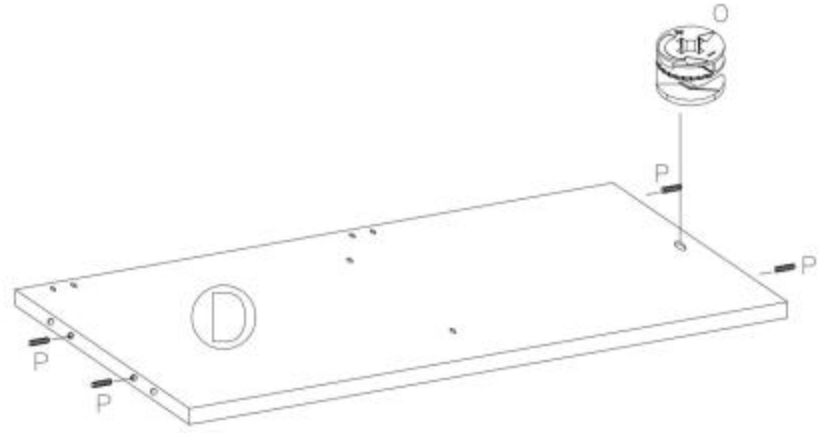
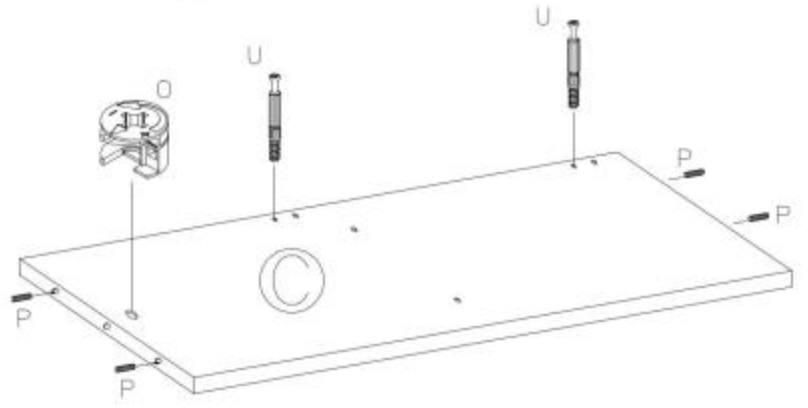
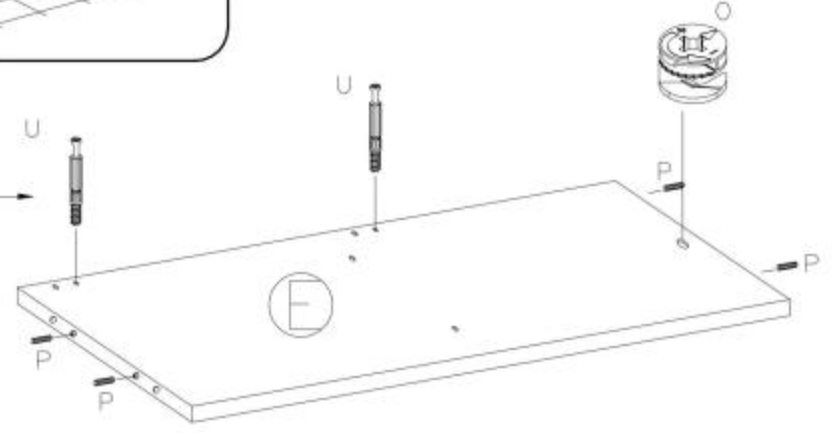
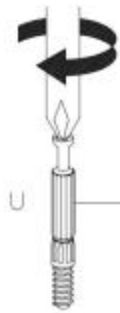
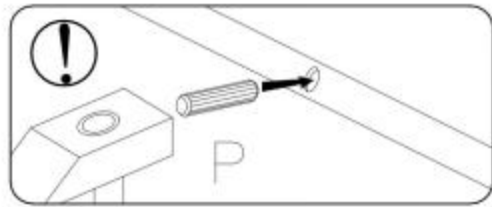
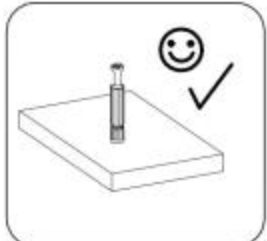


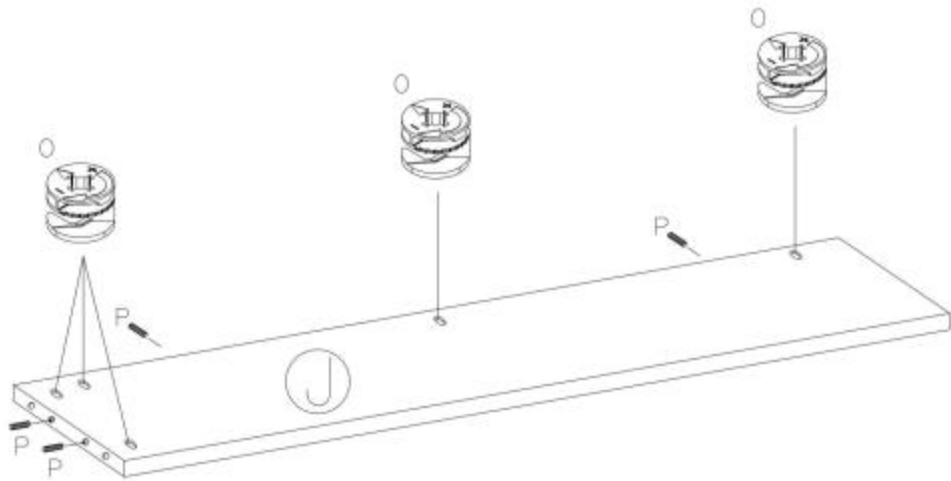
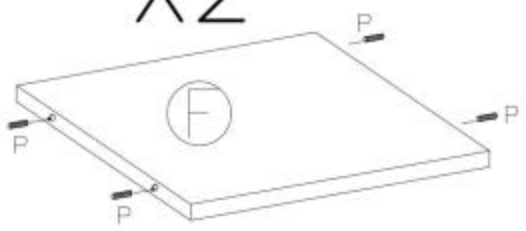
1



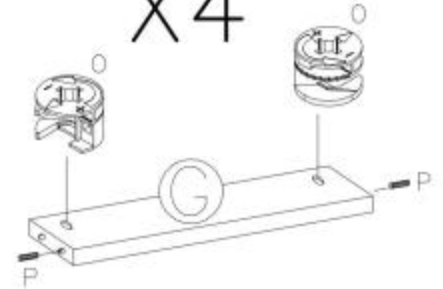
O		16x	P		32x
			U		4x



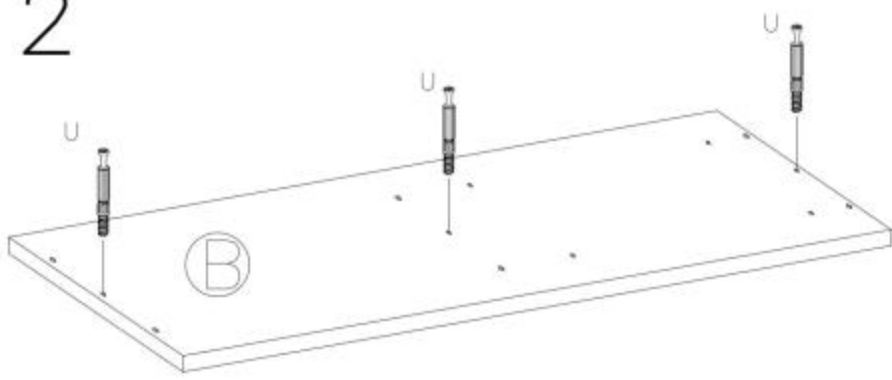
X2



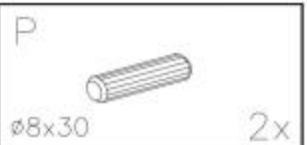
X4



2



ø15x12 3x



ø8x30 2x



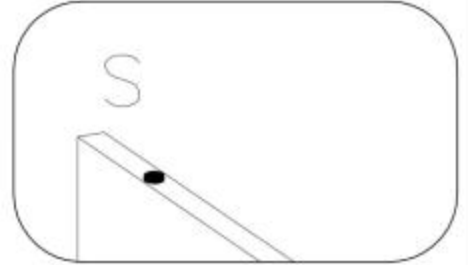
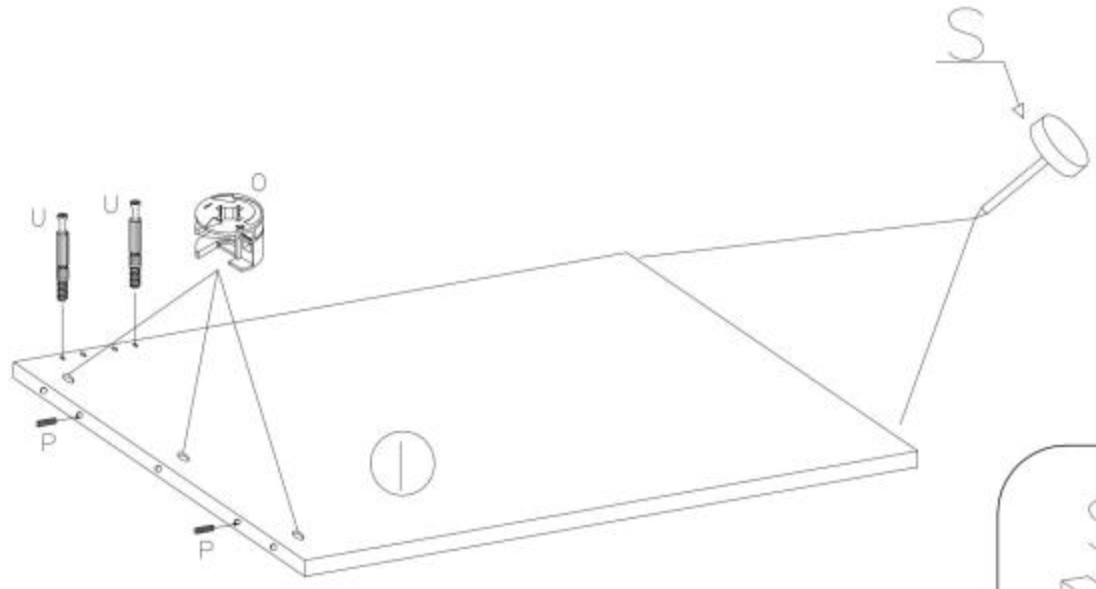
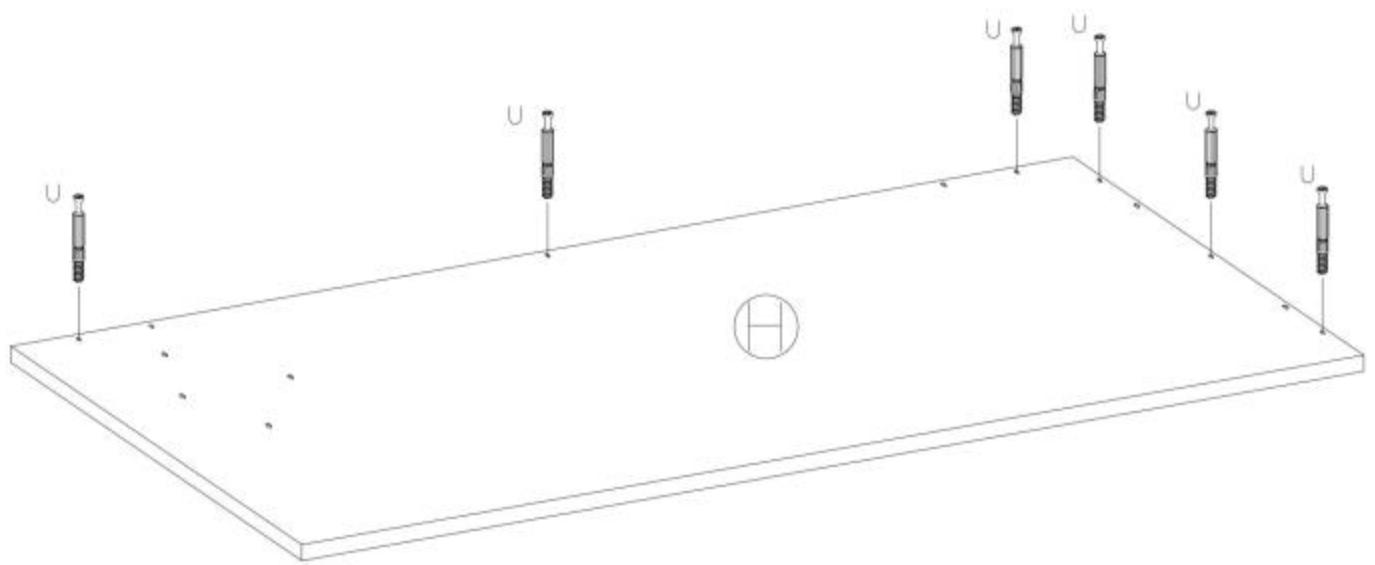
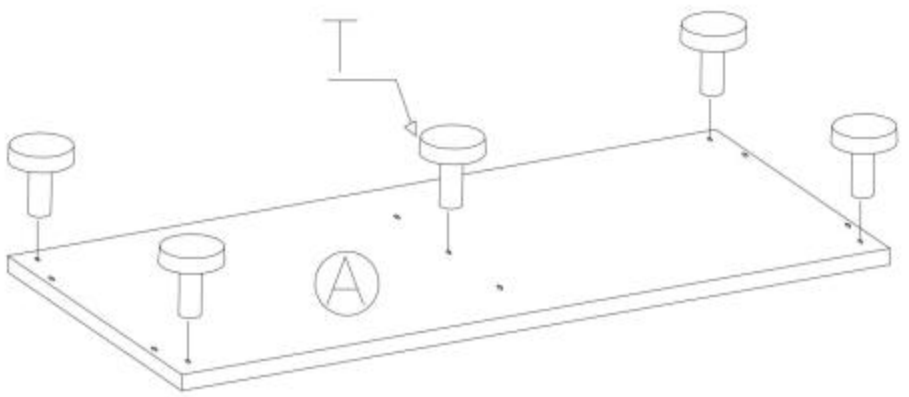
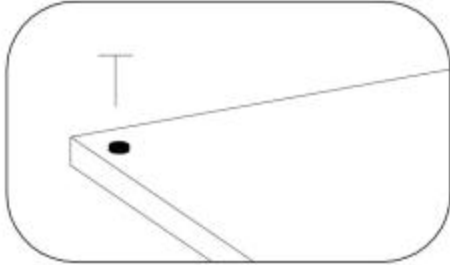
5x



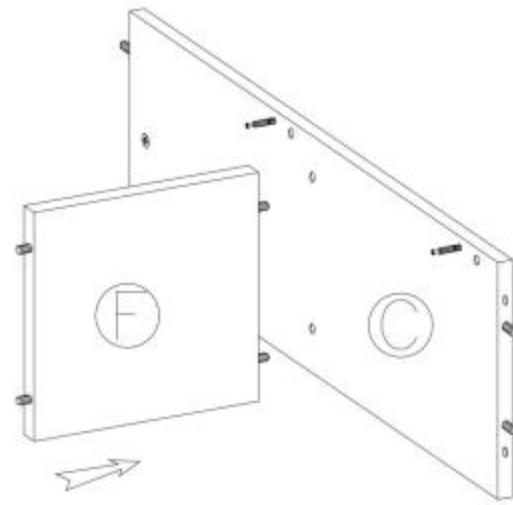
11x



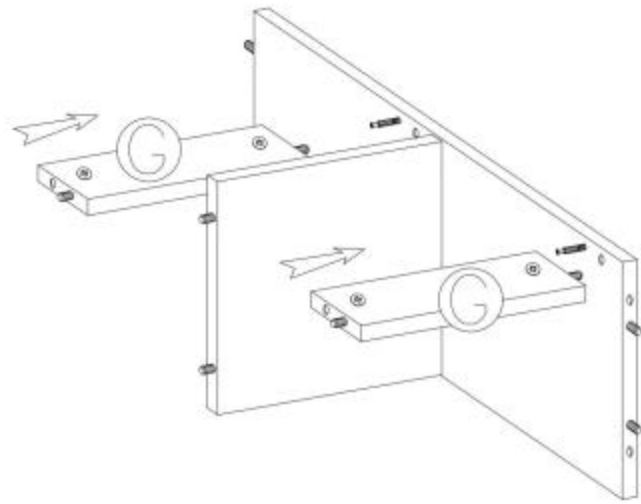
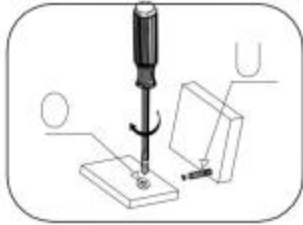
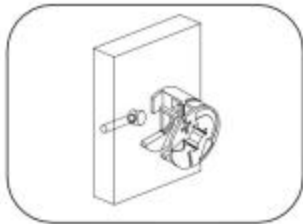
2x



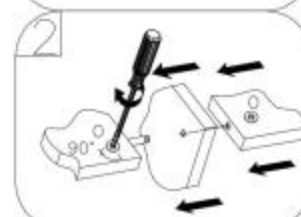
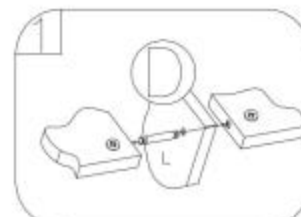
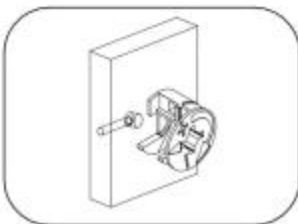
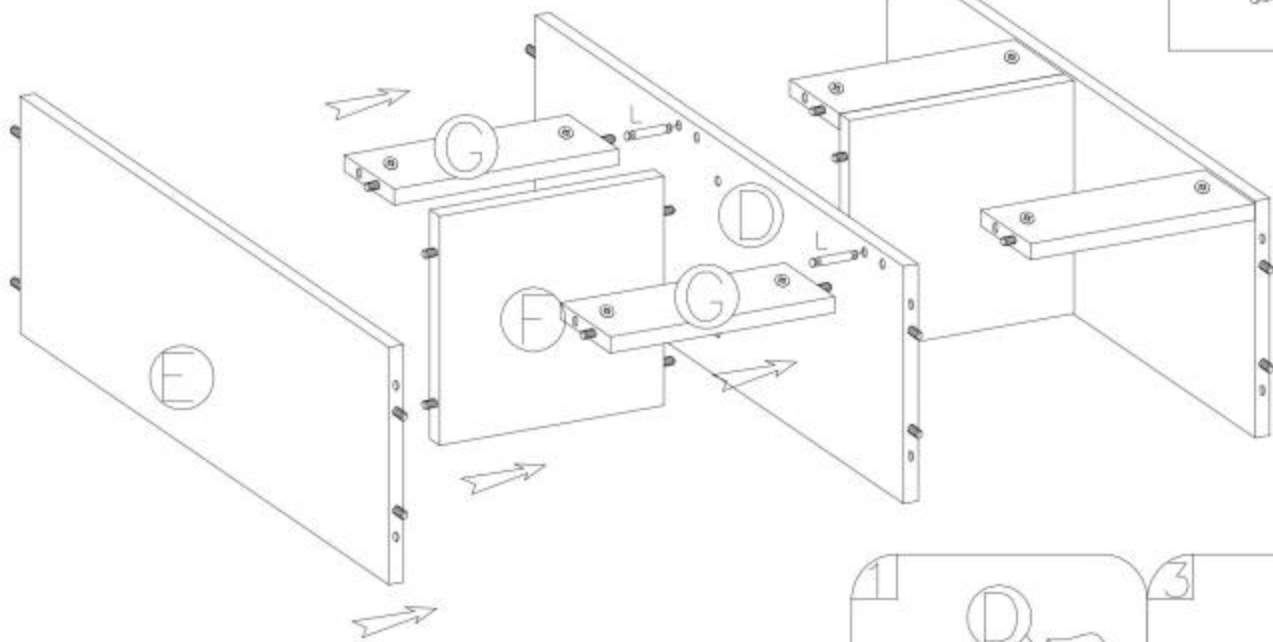
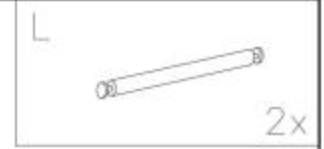
3



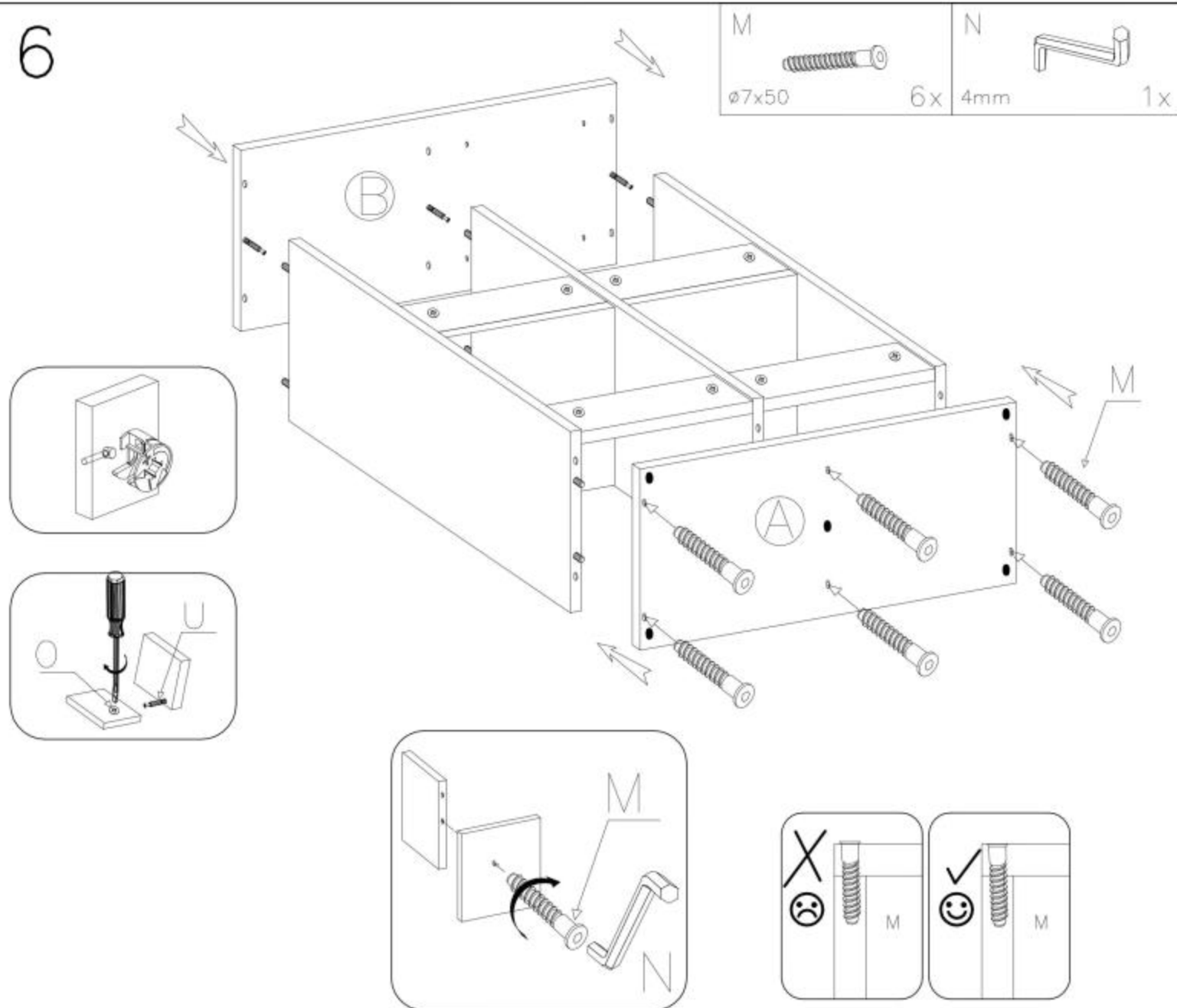
4



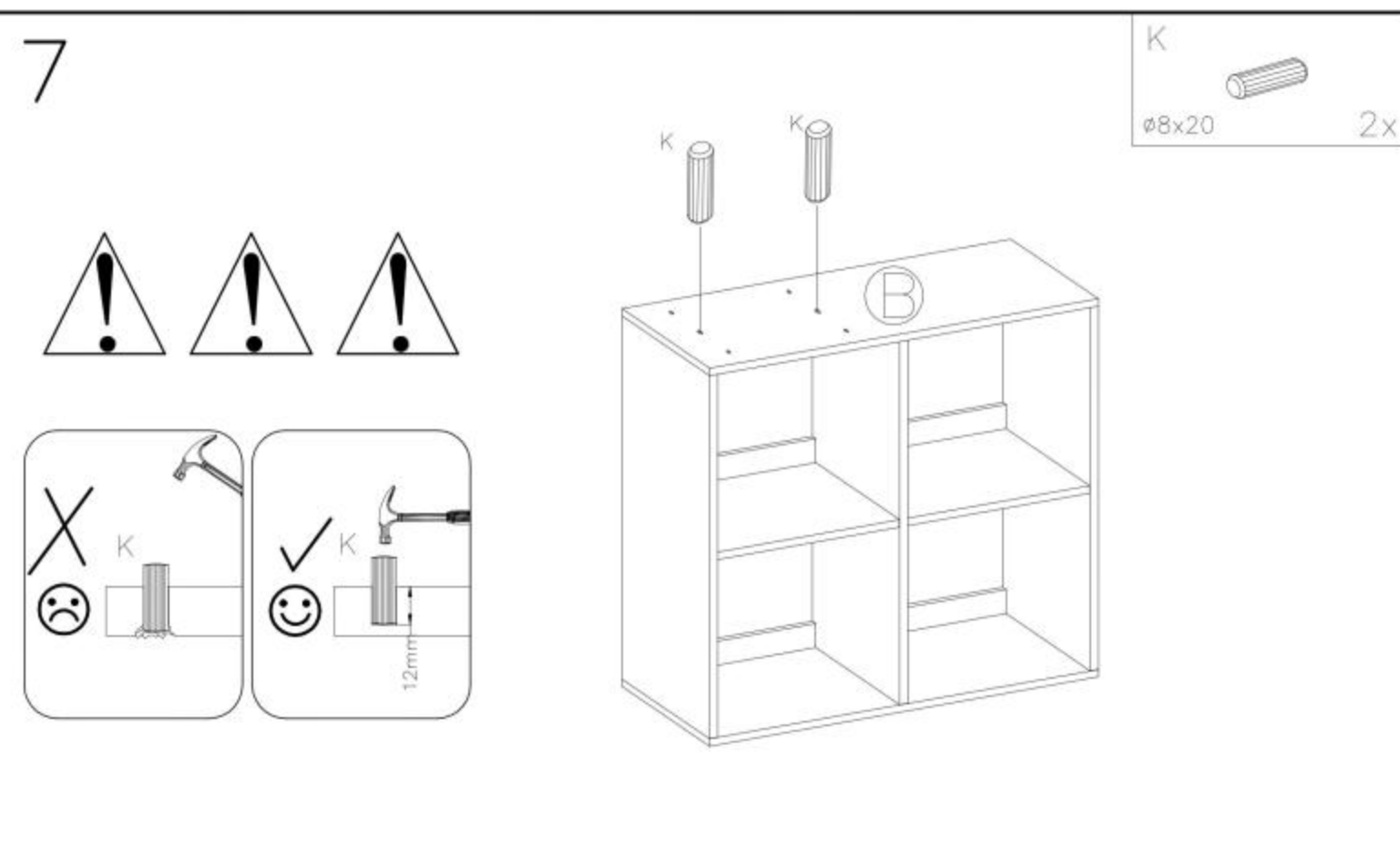
5



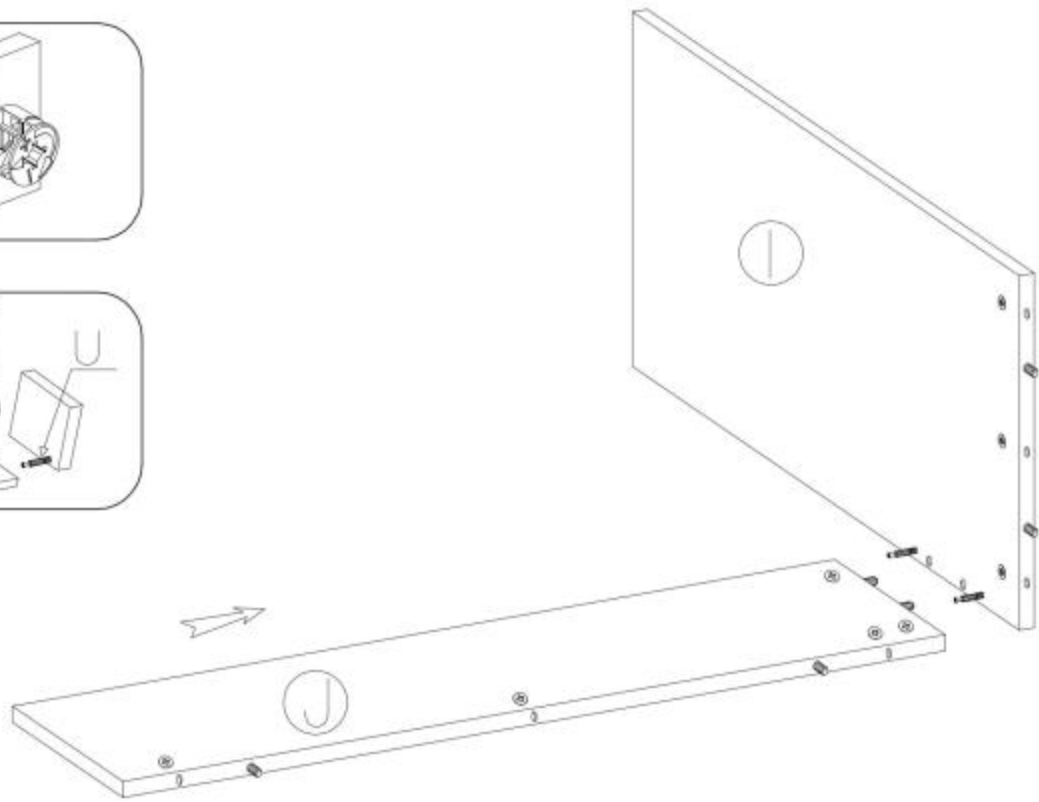
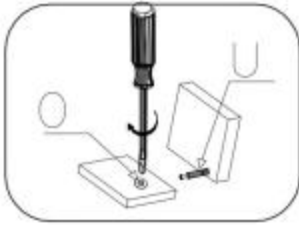
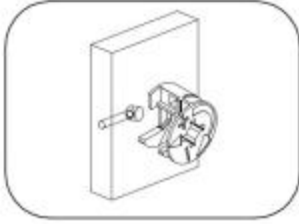
6



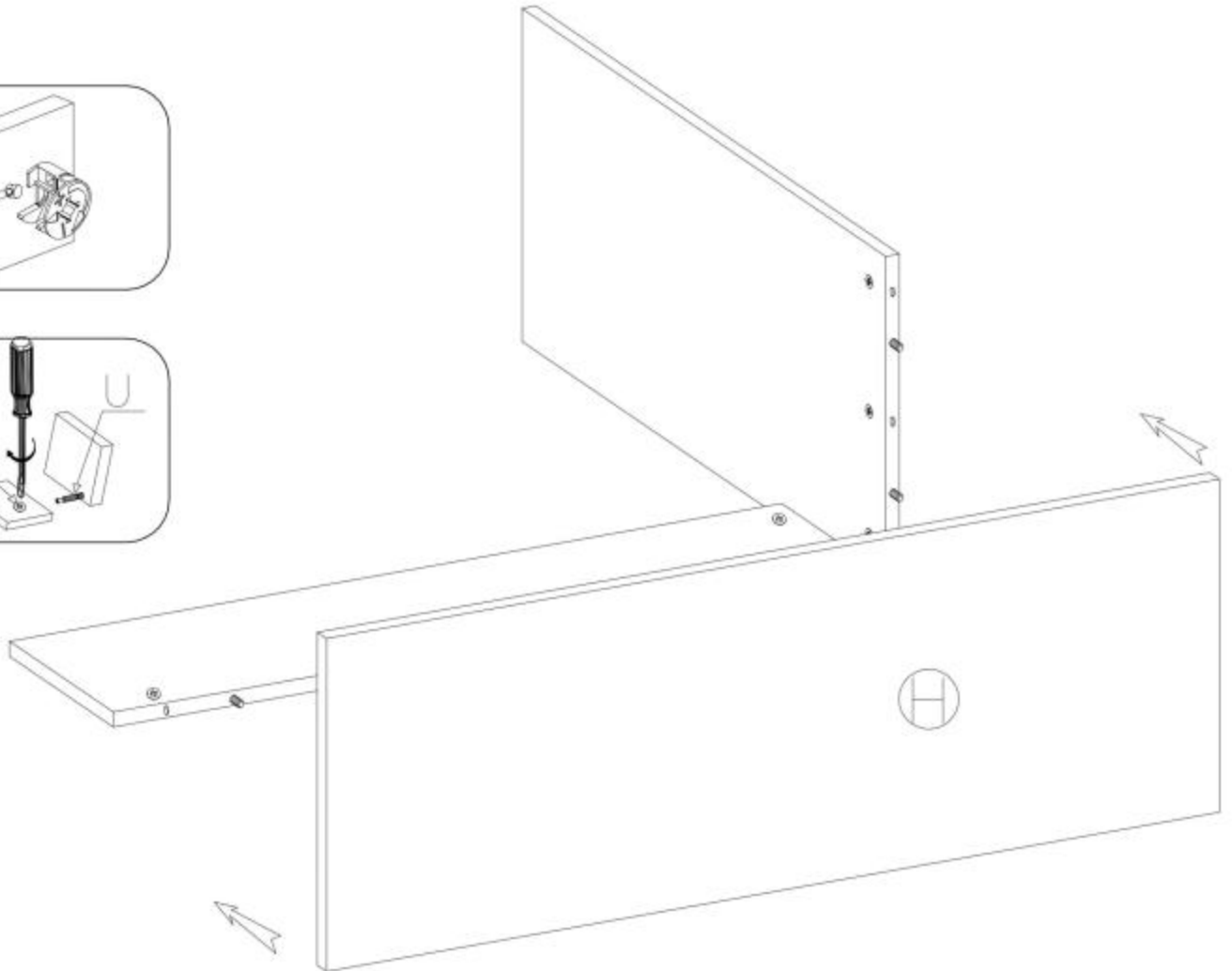
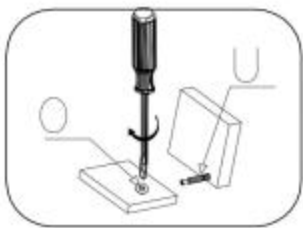
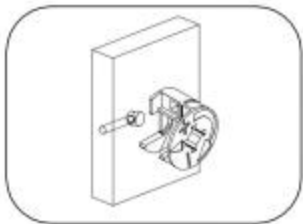
7



8

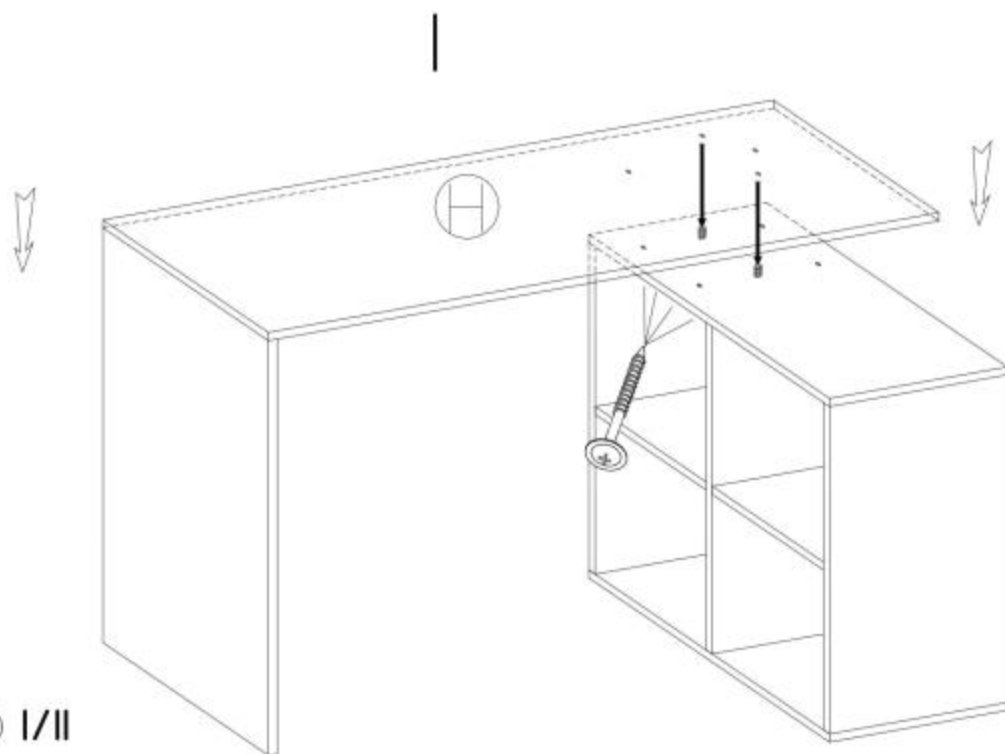


9



10

Q		R	
ø18	19x	4x30	4x



⊙ I/II

