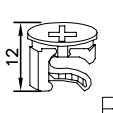
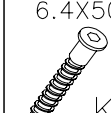
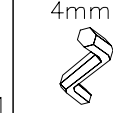
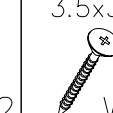
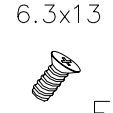

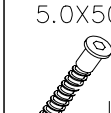
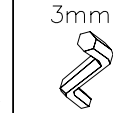
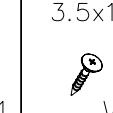
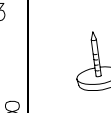
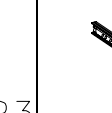
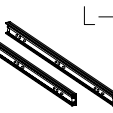
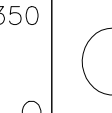
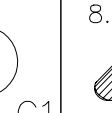
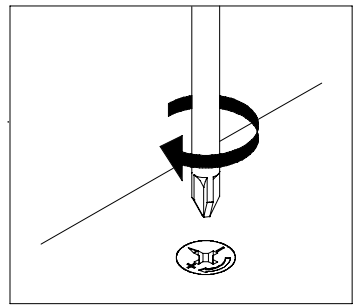
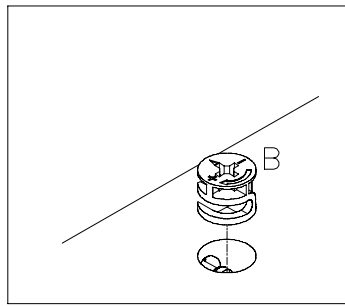
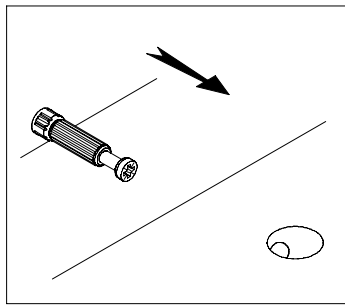
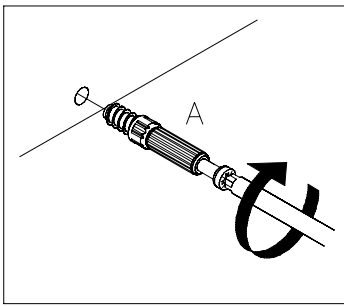

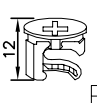
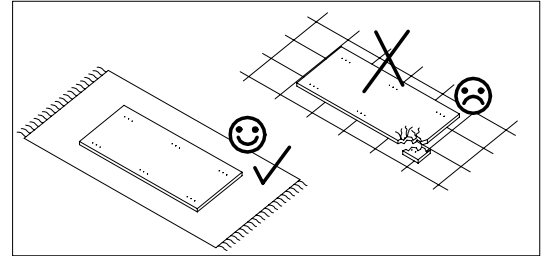
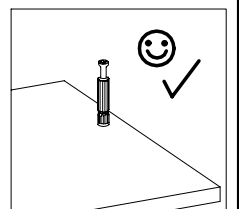
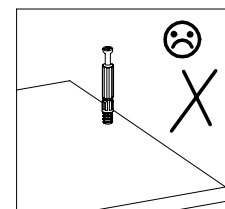
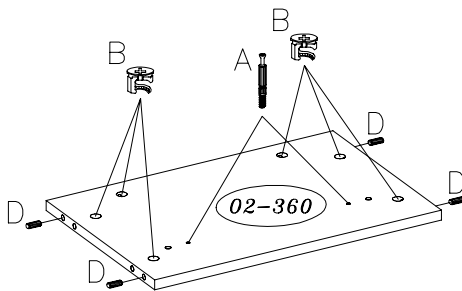
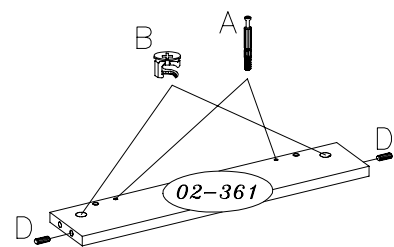
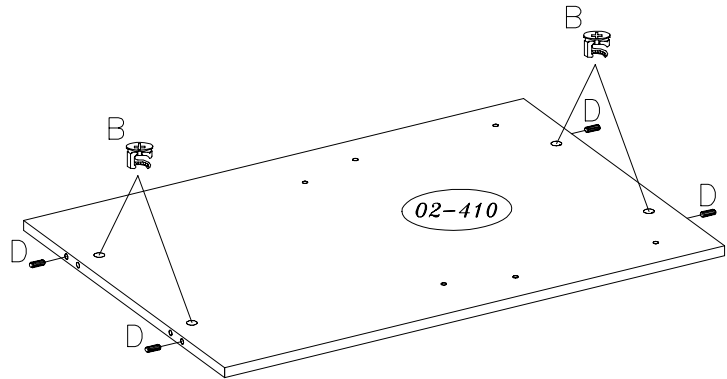
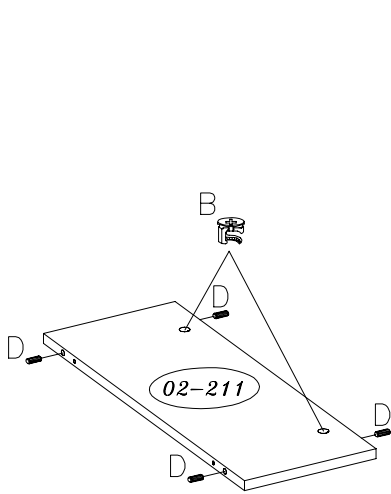
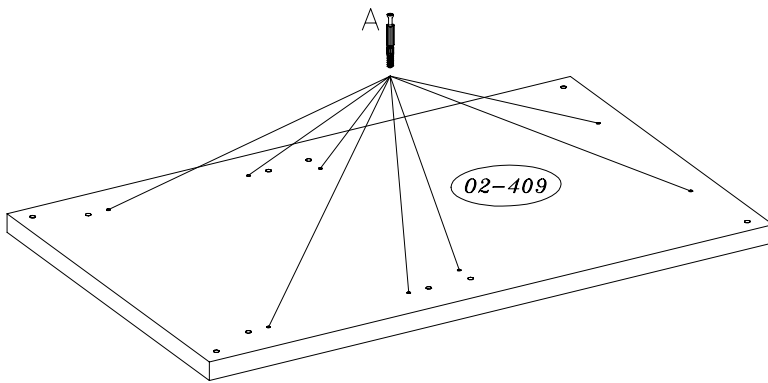
 A	 B	 6.4X50 K1	 4mm I2	 3.5x30 W2						
20	20	6	1	2						
 F	 4.0x25 G	 5.0X50 K	 3mm I1	 3.5x13 W8	 P3	 L-350 Q	 C1	 8.0x30 D	 UA27	
4	2	4	1	4	4	1 KPL	10	30	1	


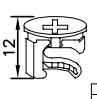



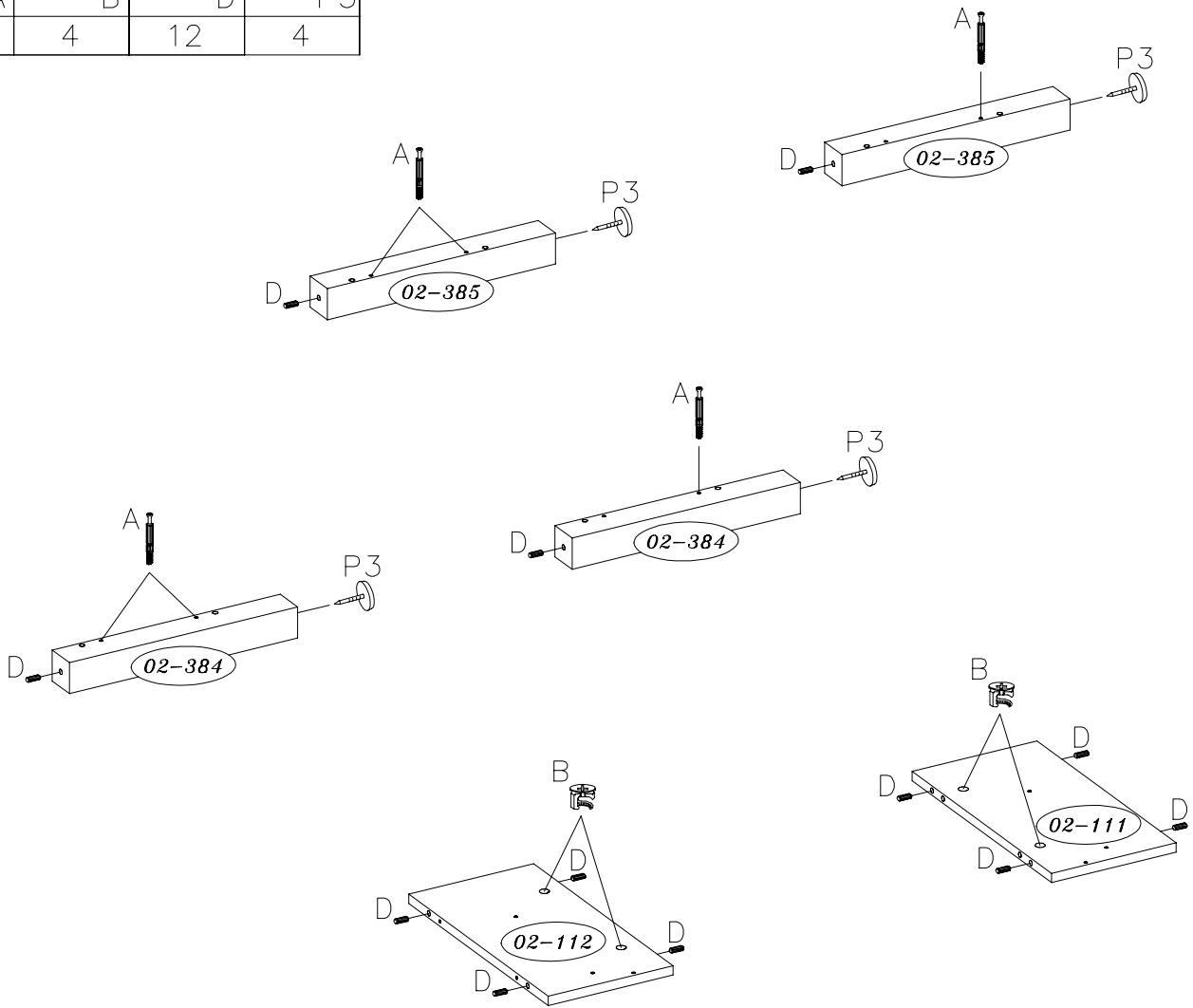
		8.0x30
A	B	D
12	14	14


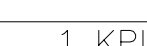


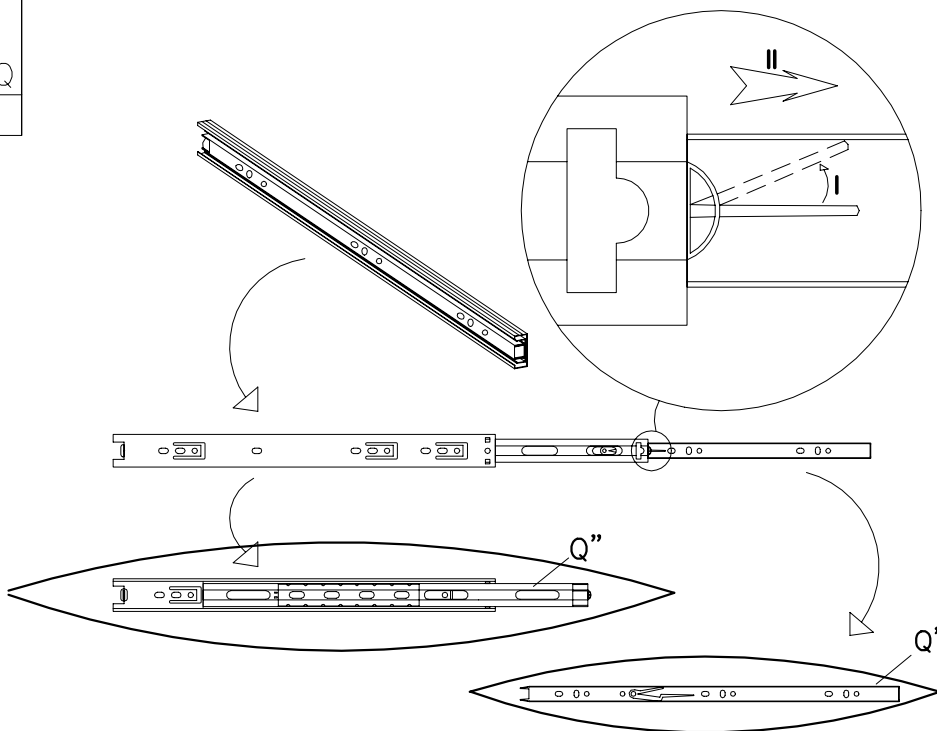
1



		8.0x30	
A	B	D	P3
6	4	12	4



	L-350
	Q
1 KPL	



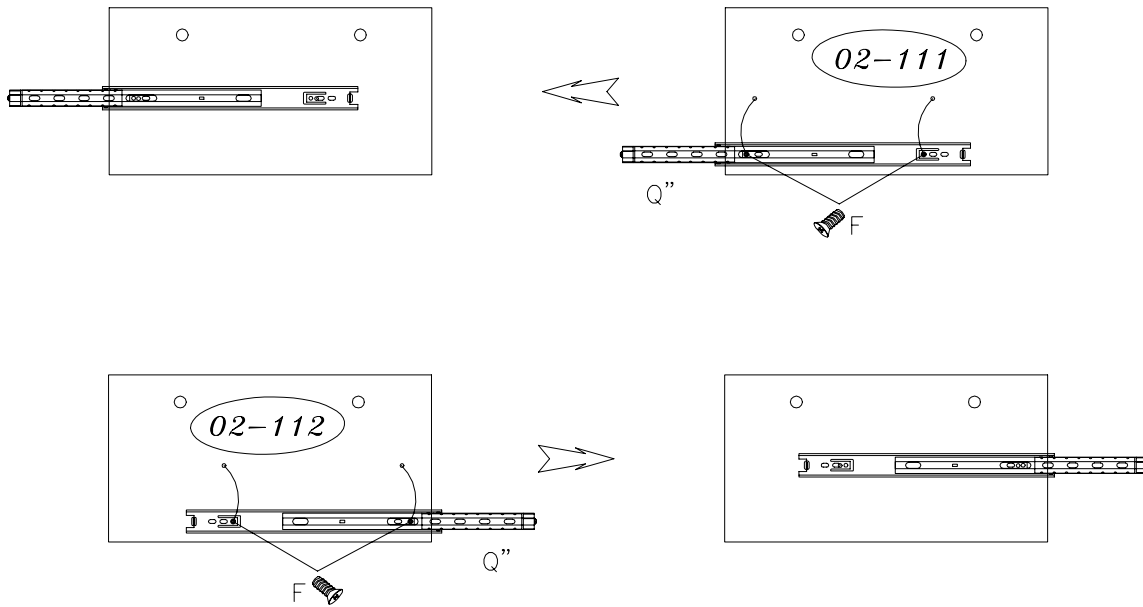
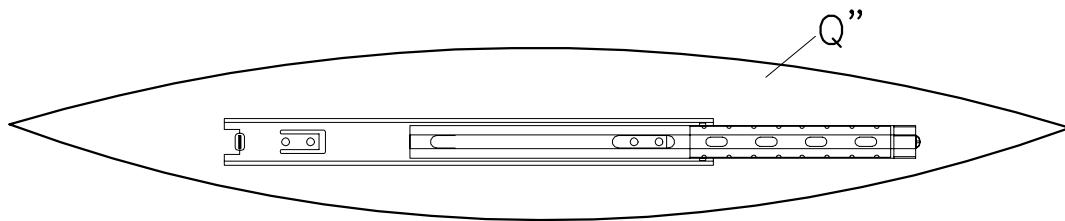
6.3x13



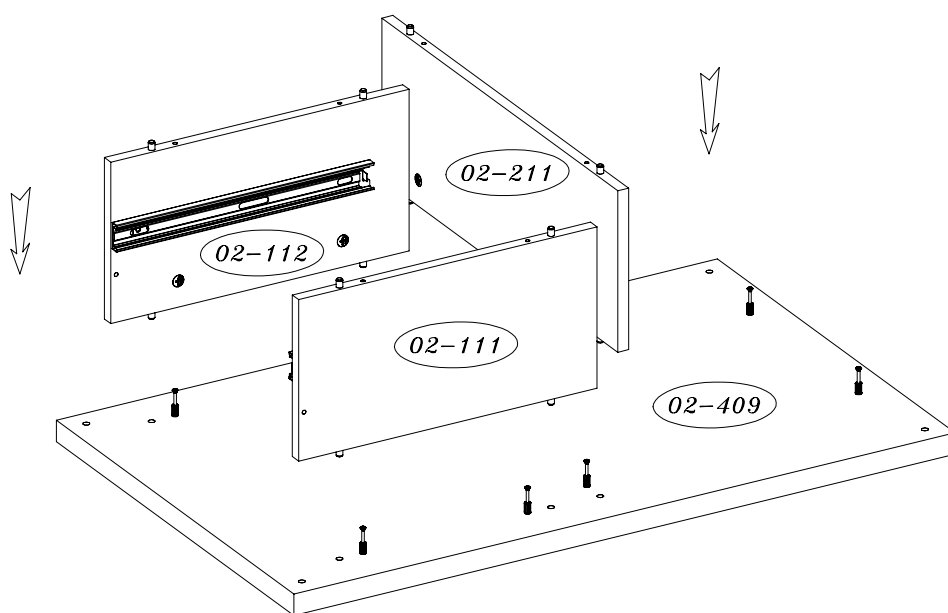
F

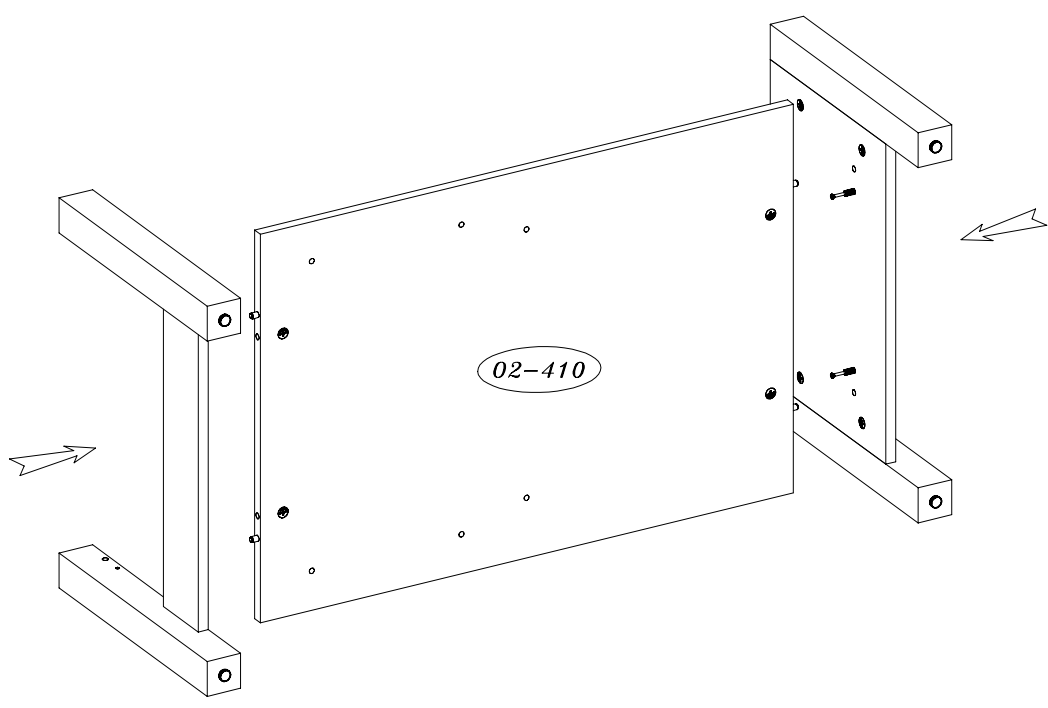
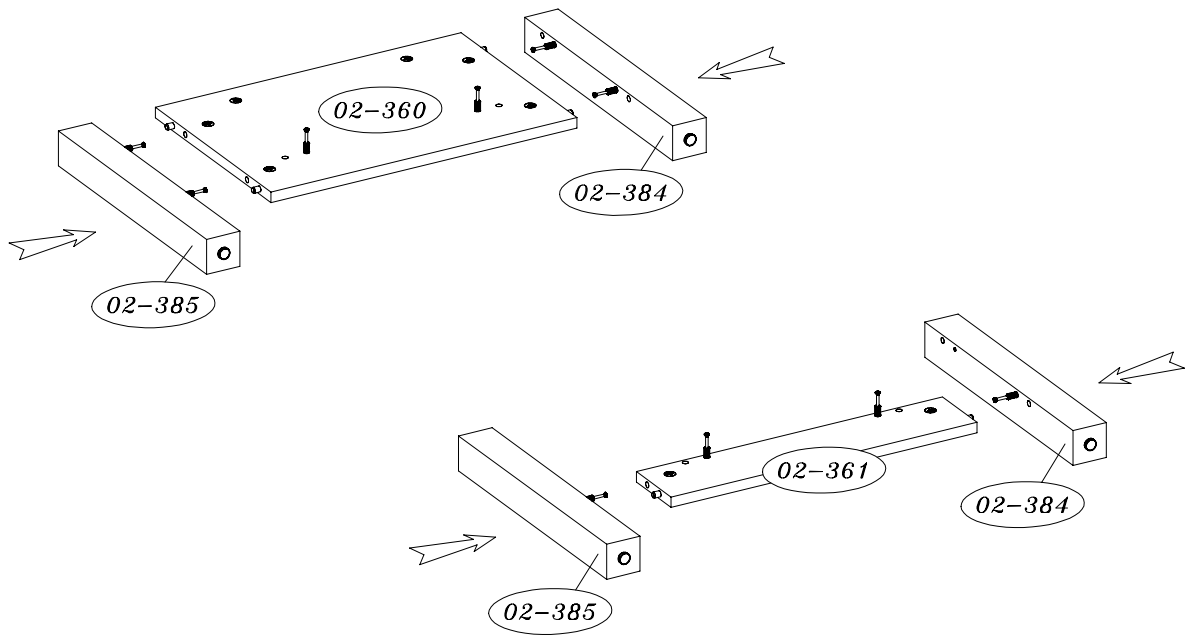
4

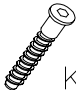
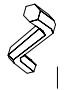
4

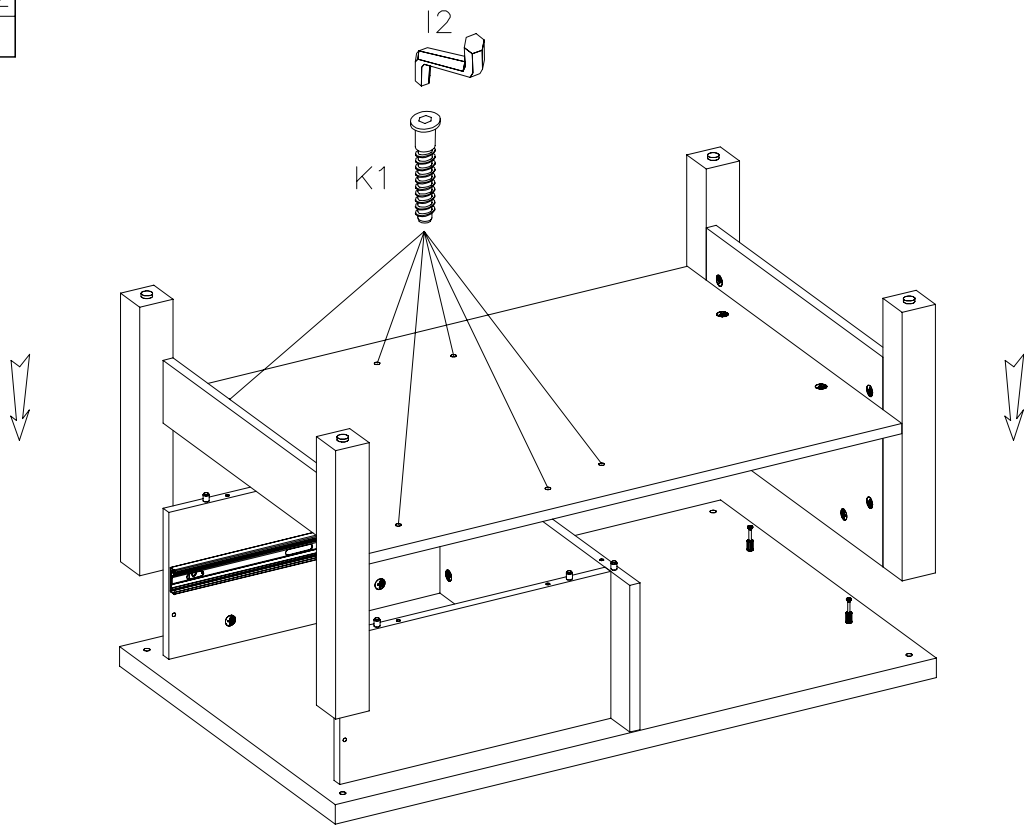



5

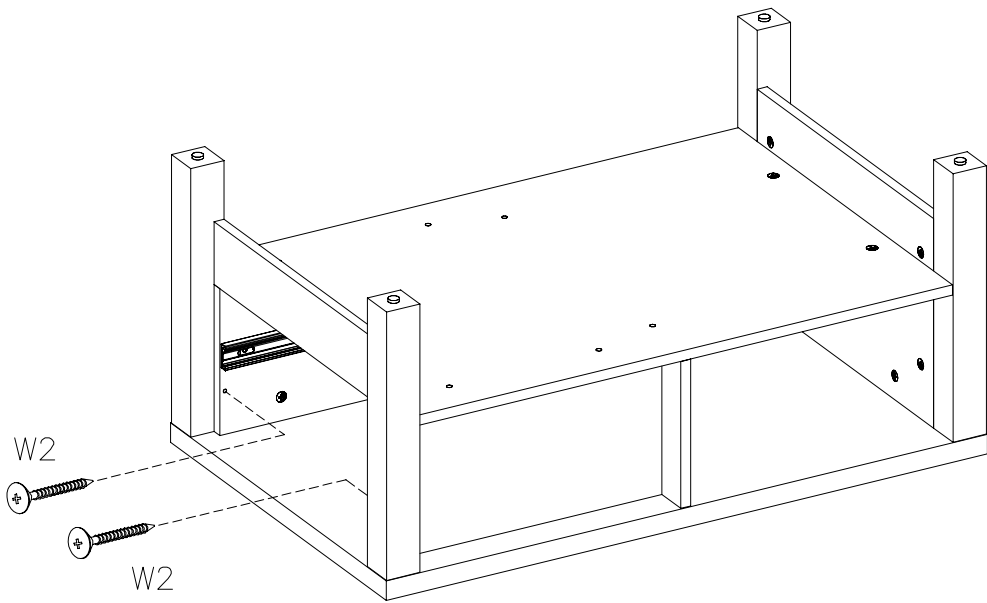



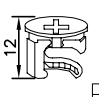
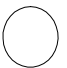


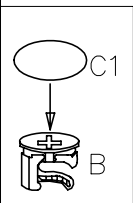
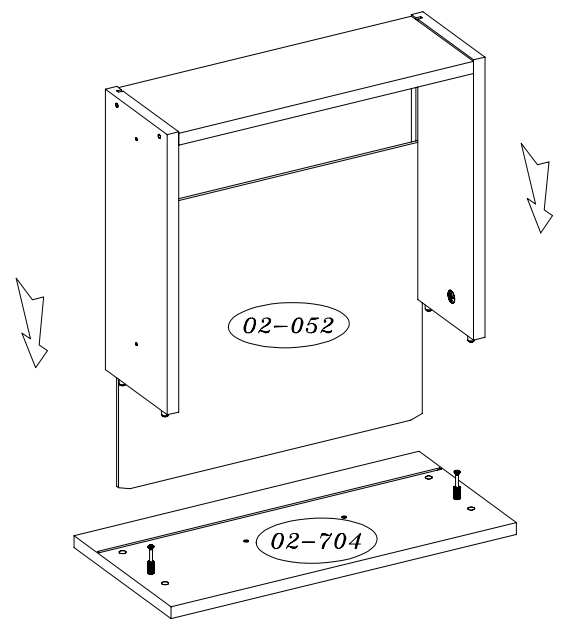
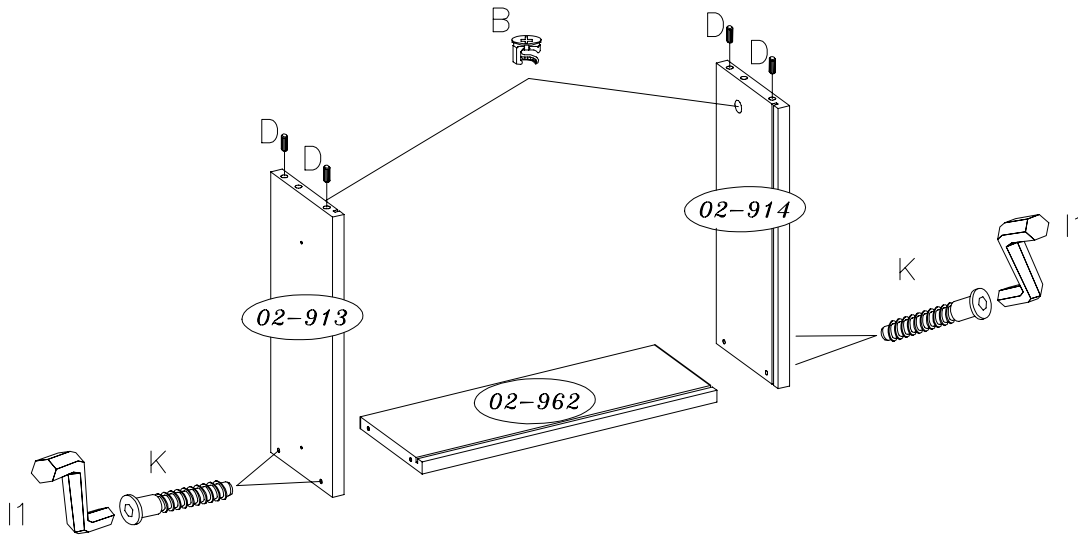
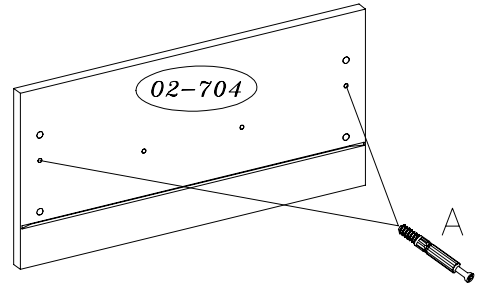
6.4x50  K1	4mm  I2
6	1



3.5x30  W2
2



		8.0x30	5.0x50	3mm	
A	B	D	K	I1	C1
2	2	4	4	1	2

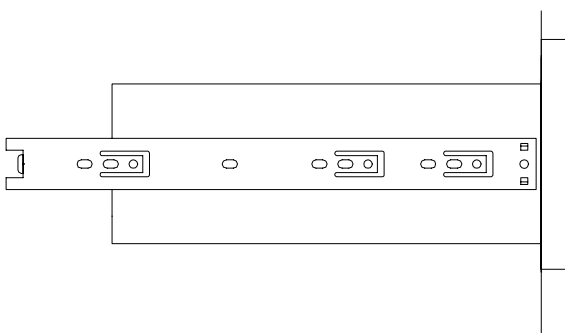
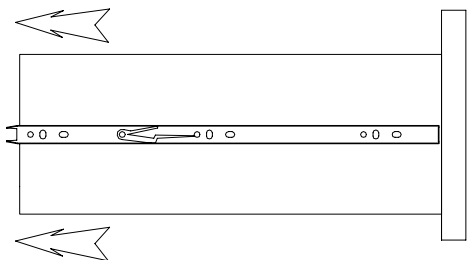
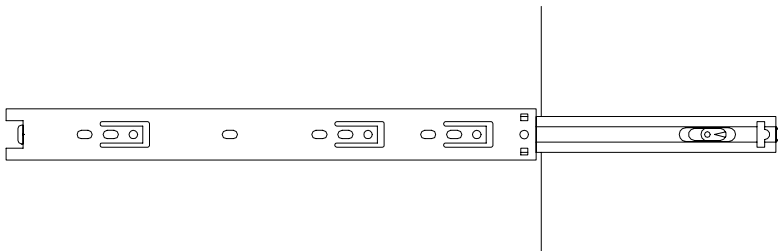
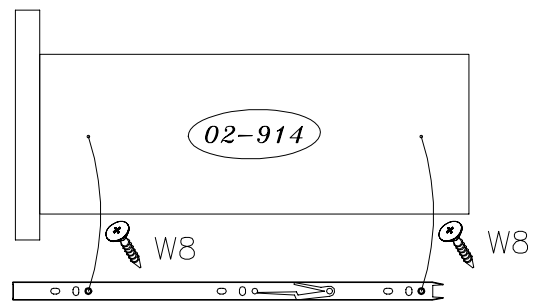
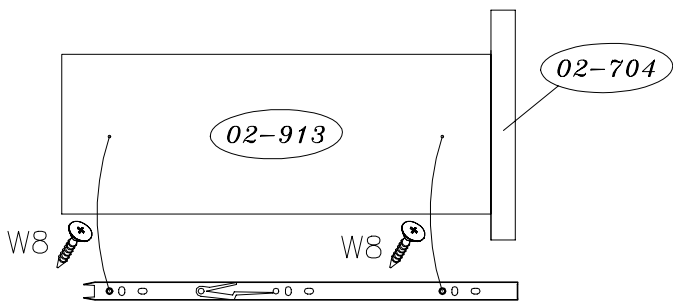
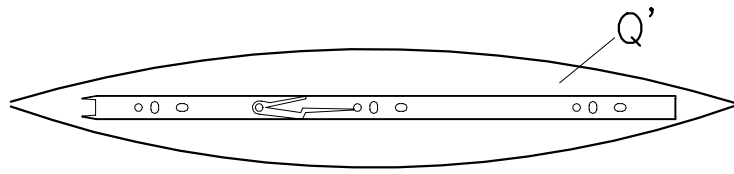


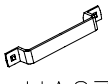


3.5x13



W8

4



 UA27	4.0x25  G	 C1
1	2	8

