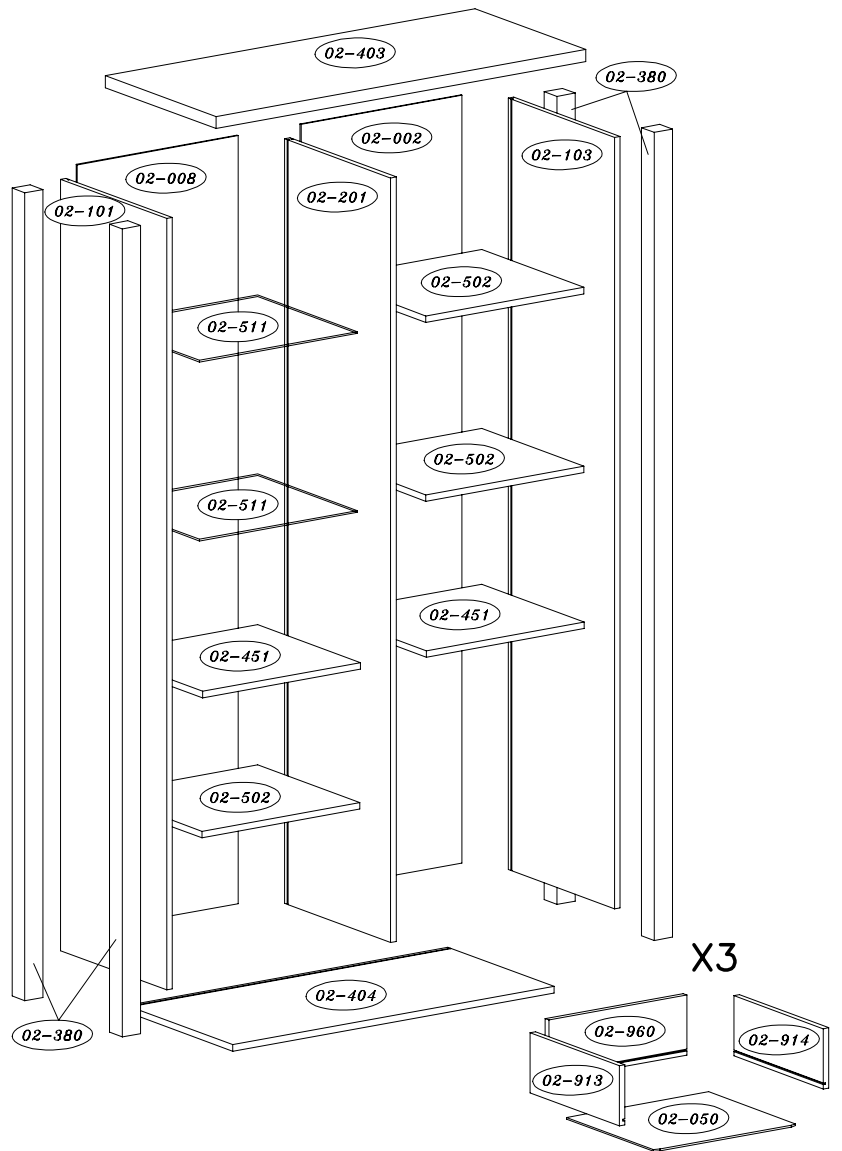
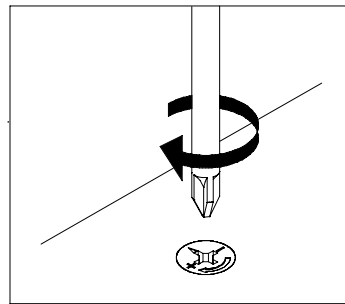

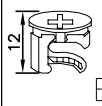
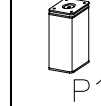
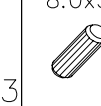
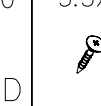



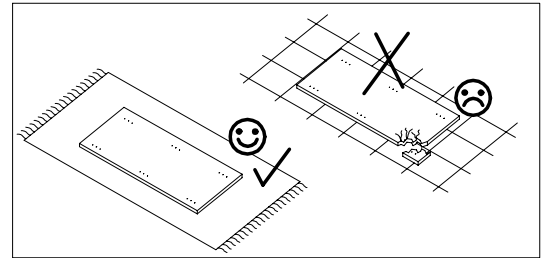
KR-0		
Y15	C3	
3	2	
	4.0x16	
A4	G4	Y16
2	1	3
	8.0x50	
T1	D2	X13
1	2	3
8.0x30		
D	UA28	E1
40	1	20
	3.5x13	
L-350	Q	W8
3 KPL		16
A	B	C1
22	26	32



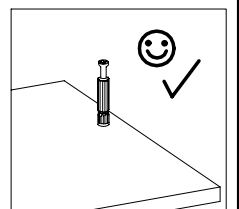
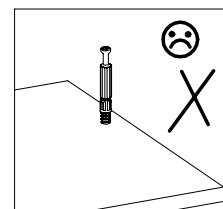
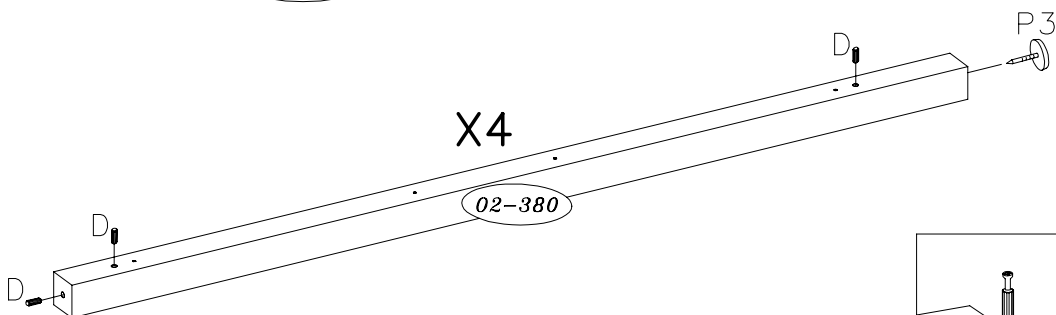
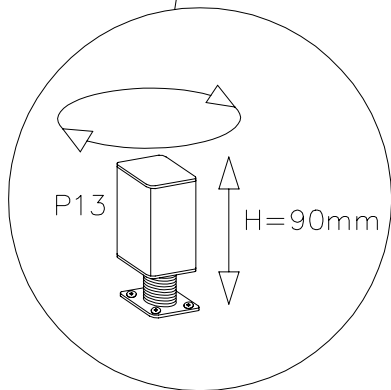
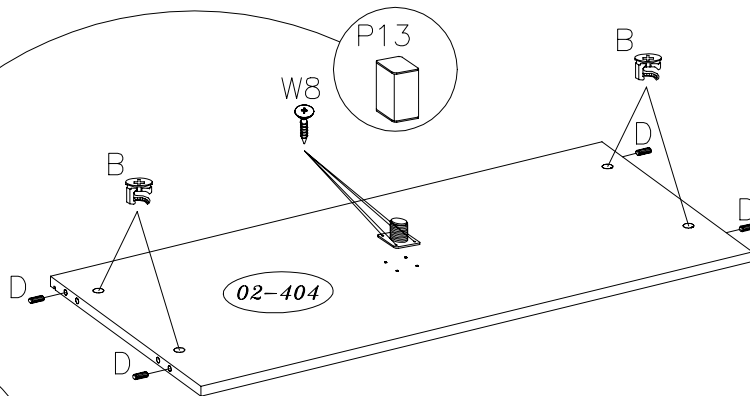
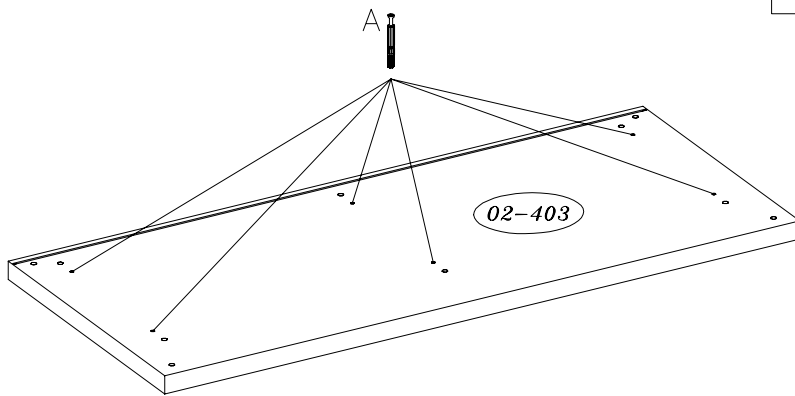
6.3x13	4.0x25	5.0x50	3mm				KR-0			
F	G	K	I1	J3	P3	J	Y	X	P13	UA27
16	8	32	1	2	4	24	2	2	1	4

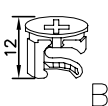


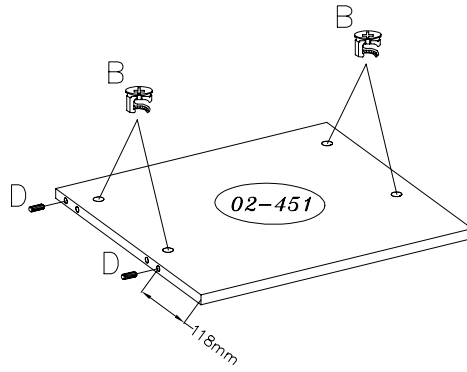
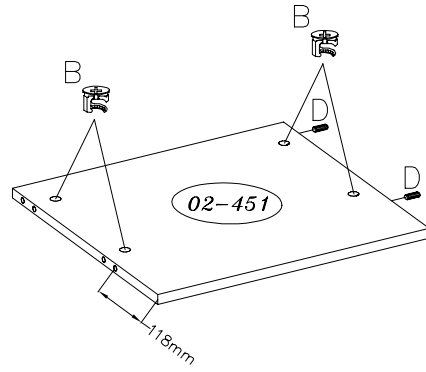
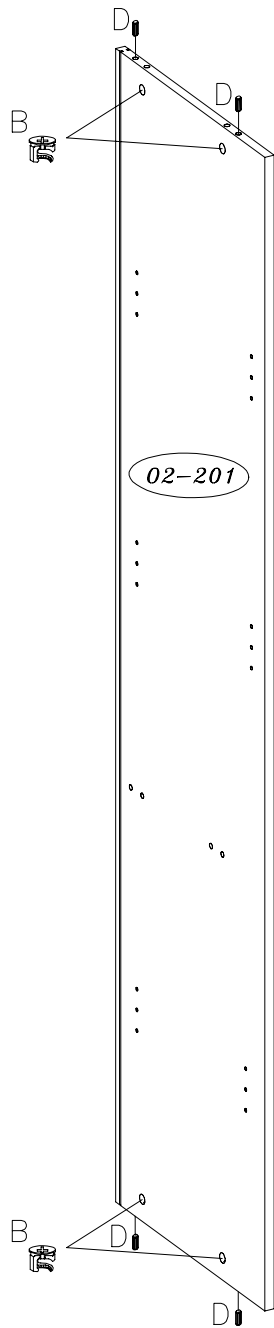
 A	 B	 P13	 8.0x30	 3.5x13	 P3
6	4	1	16	4	4




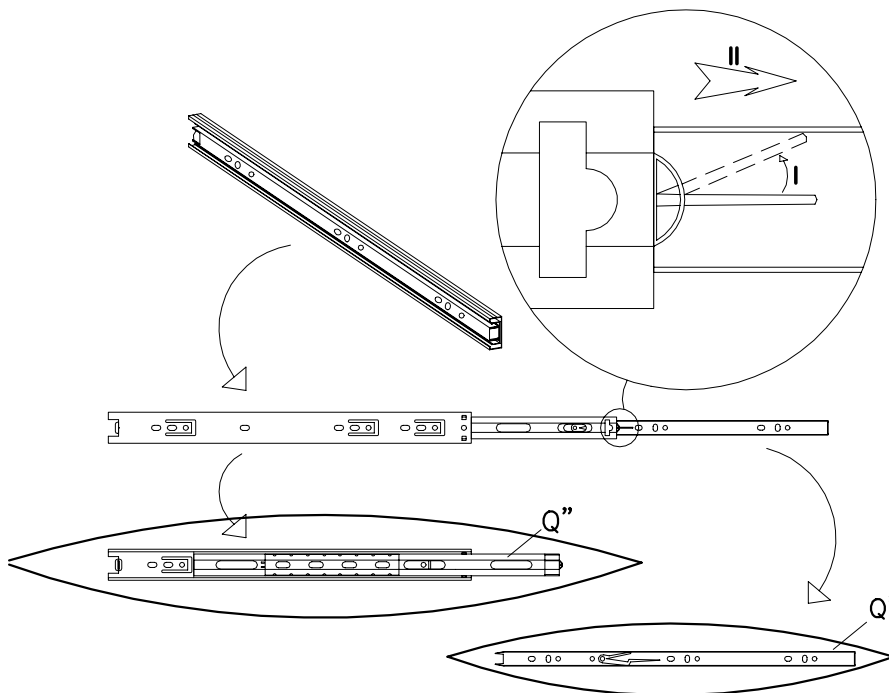
1



	8.0x30
B	D
12	8



	L-350
Q	
3 KPL	

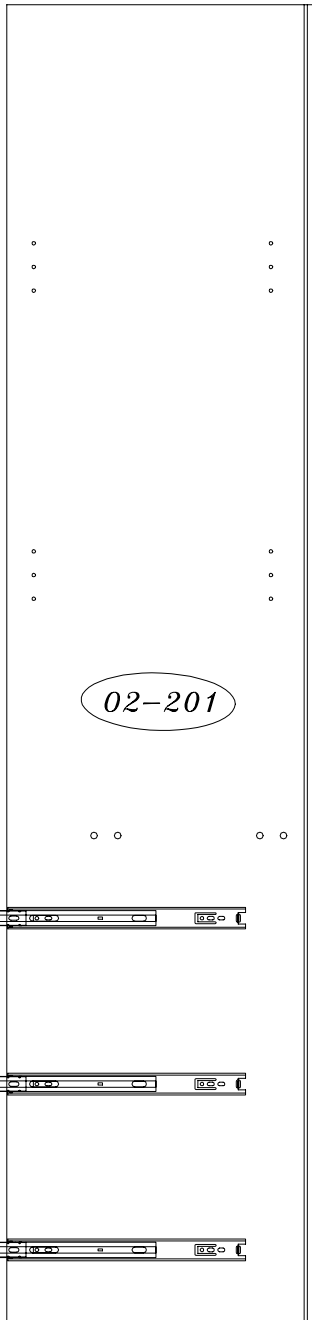
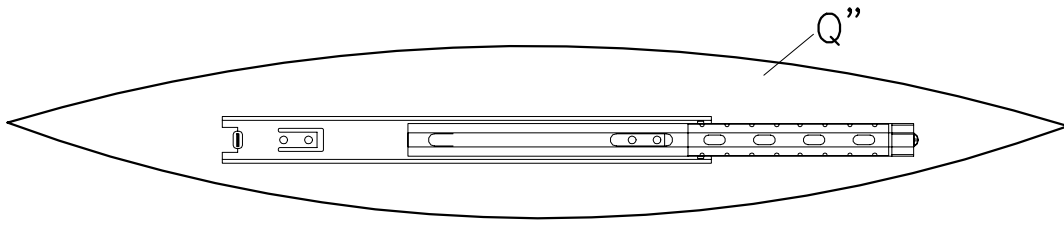




6.3x13

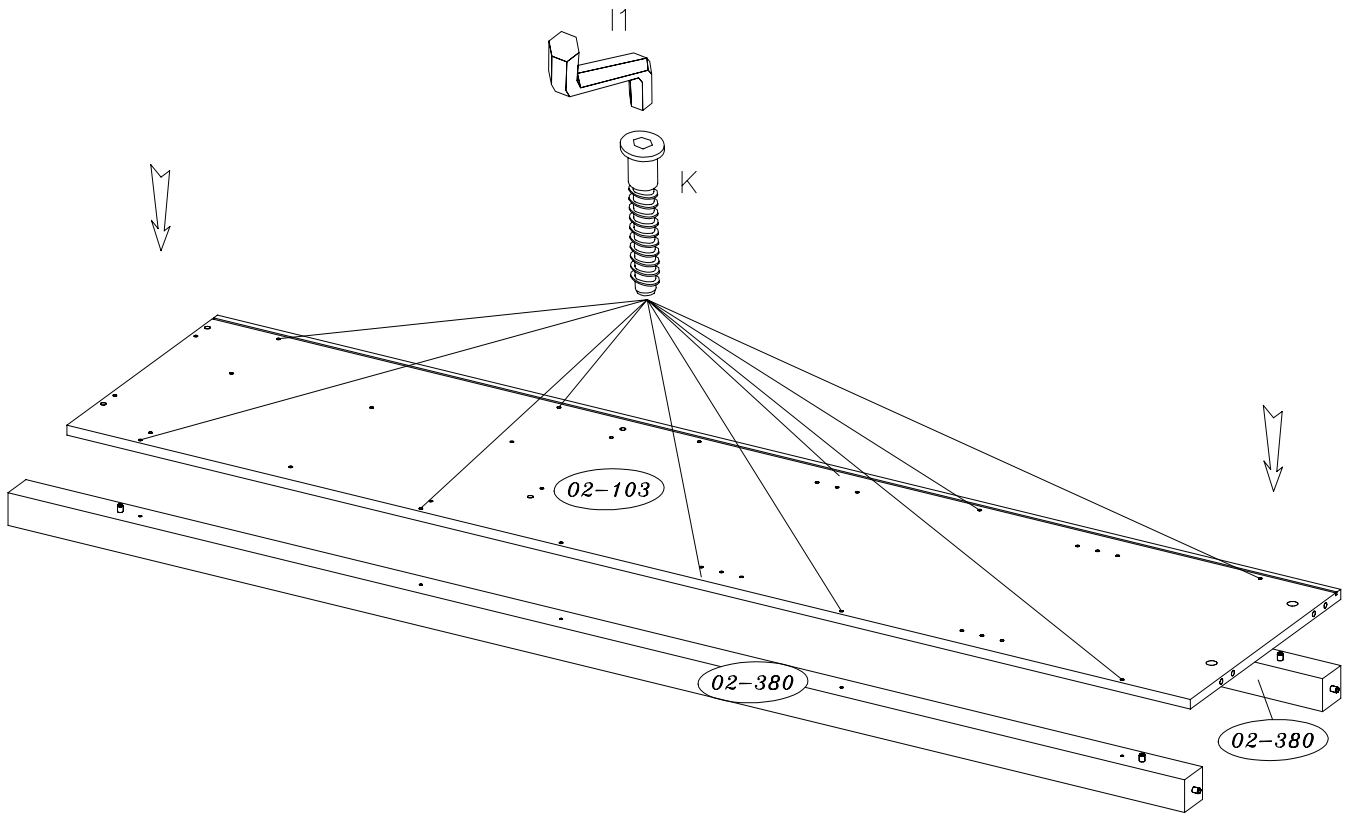
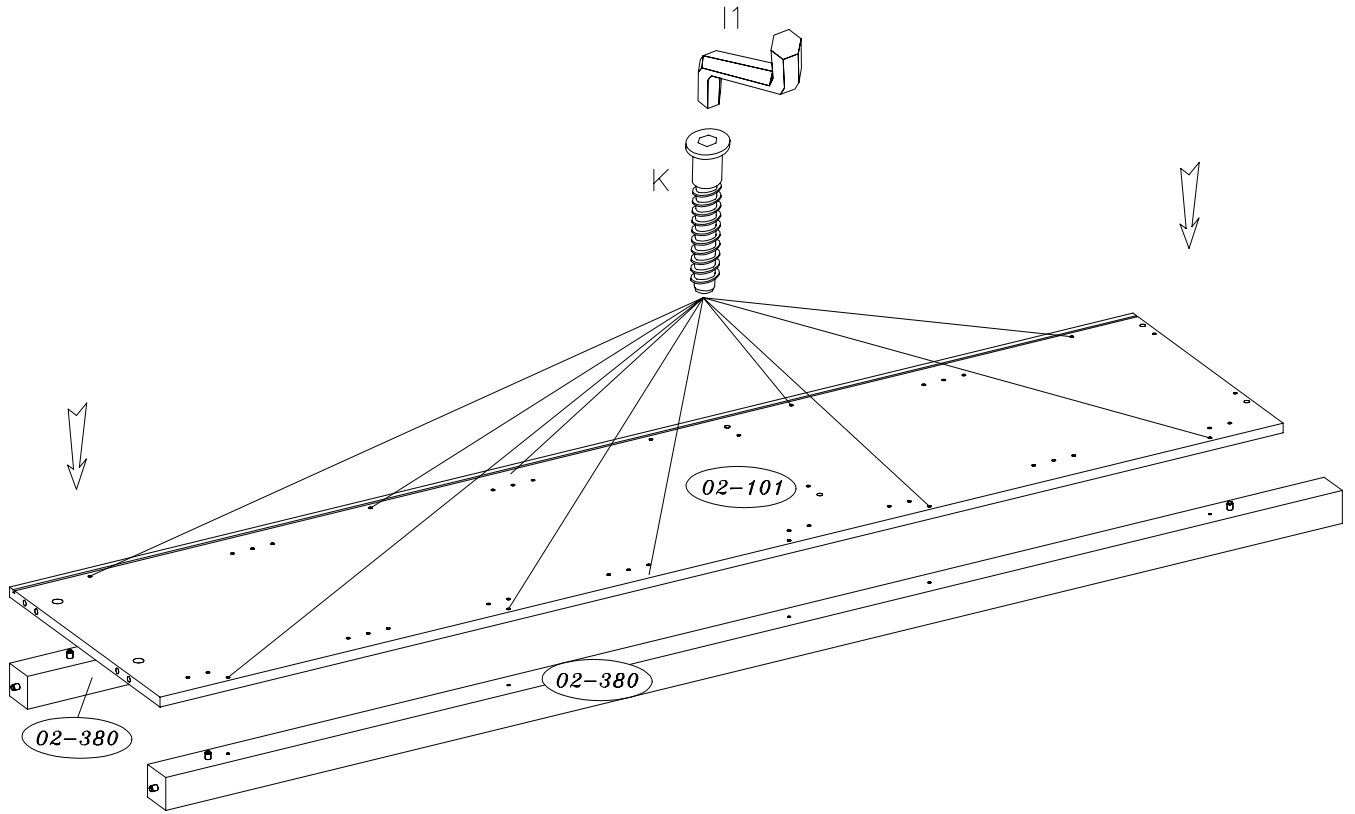


F

6



5.0X50  K 20	3mm  I1 1
---	---



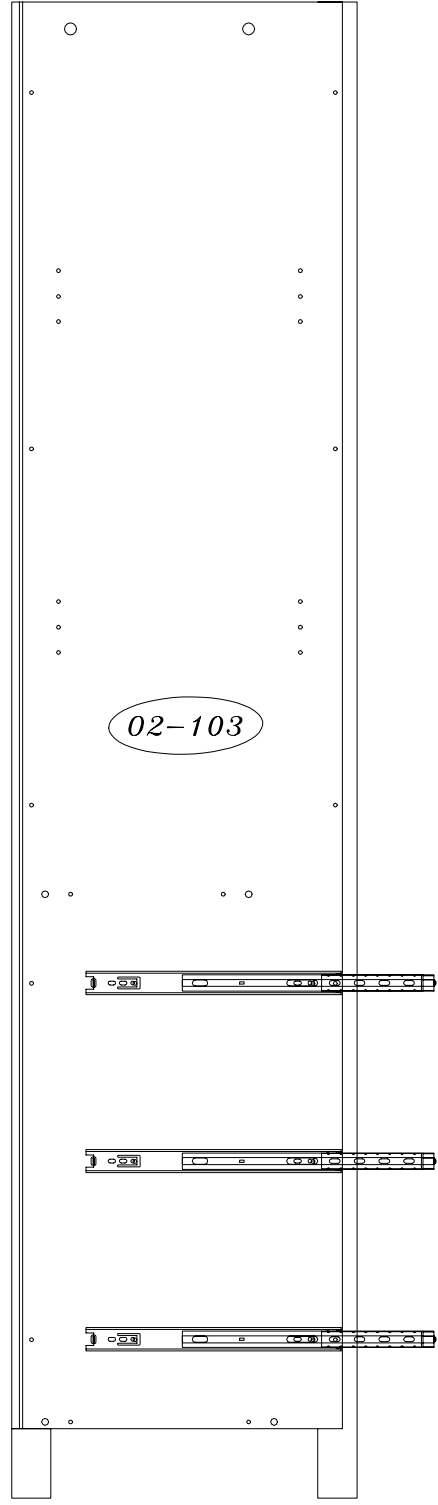
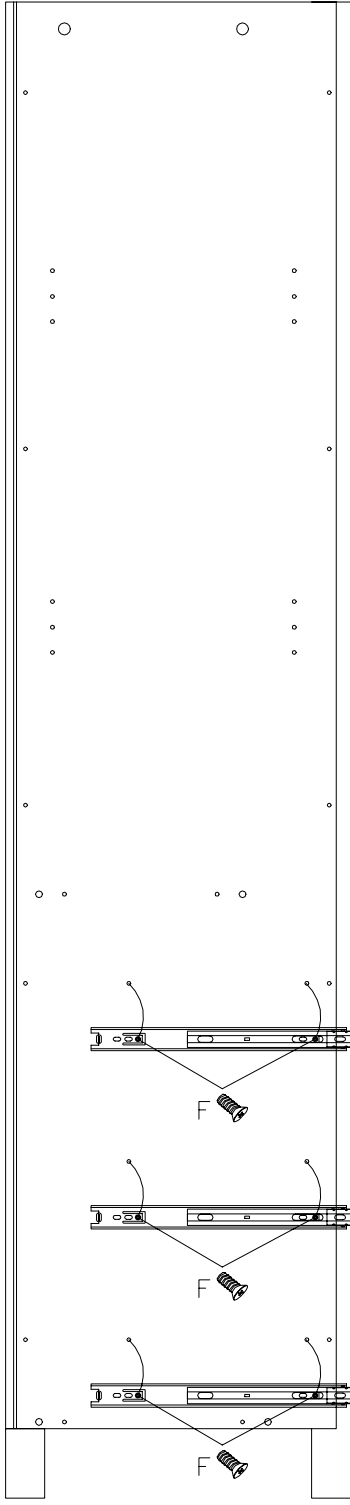
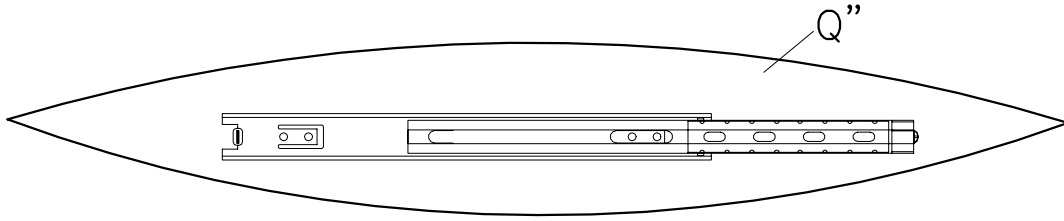
6.3x13

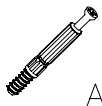
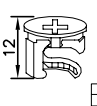
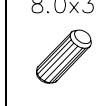
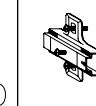
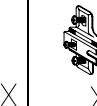


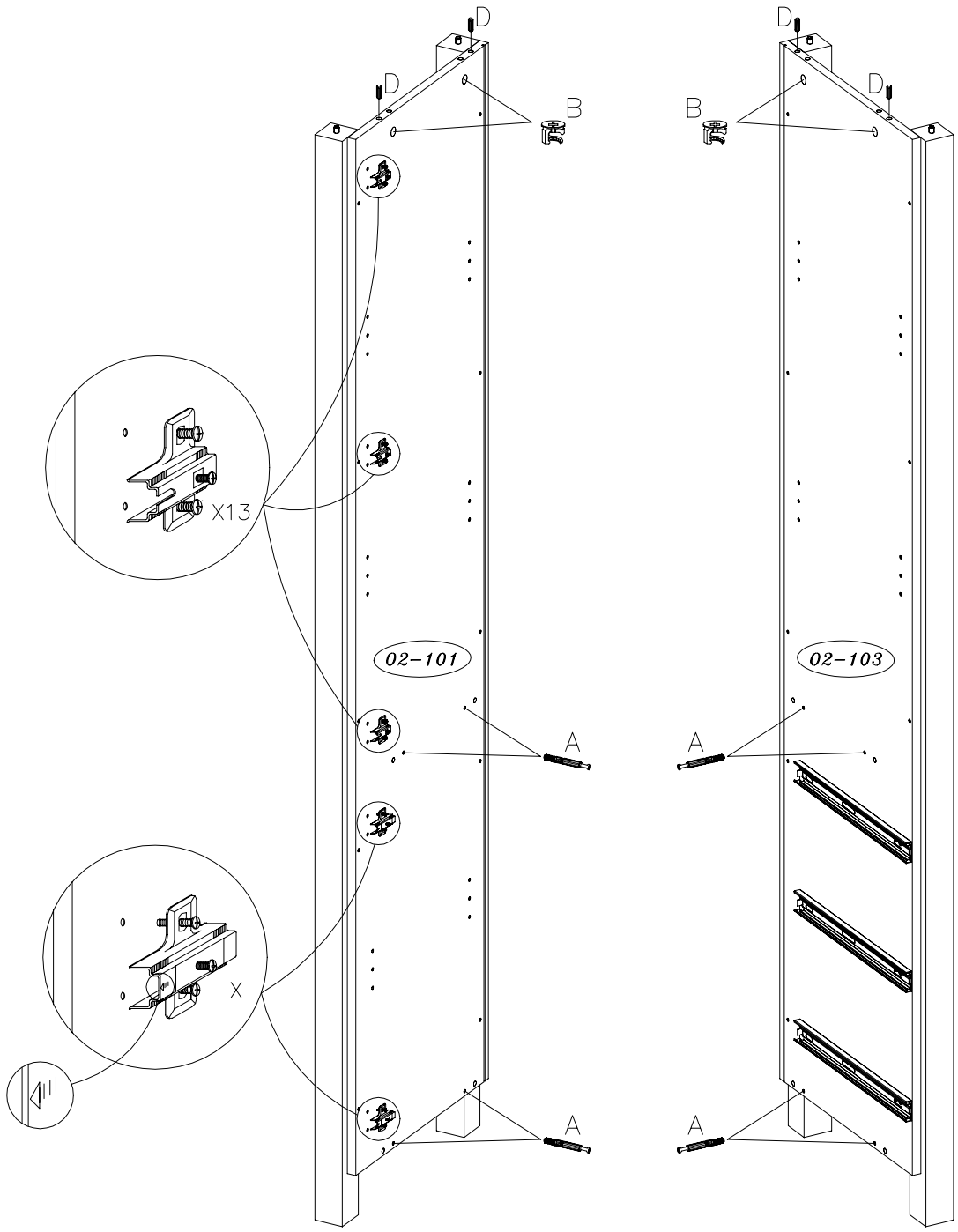
F

6


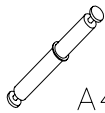
6

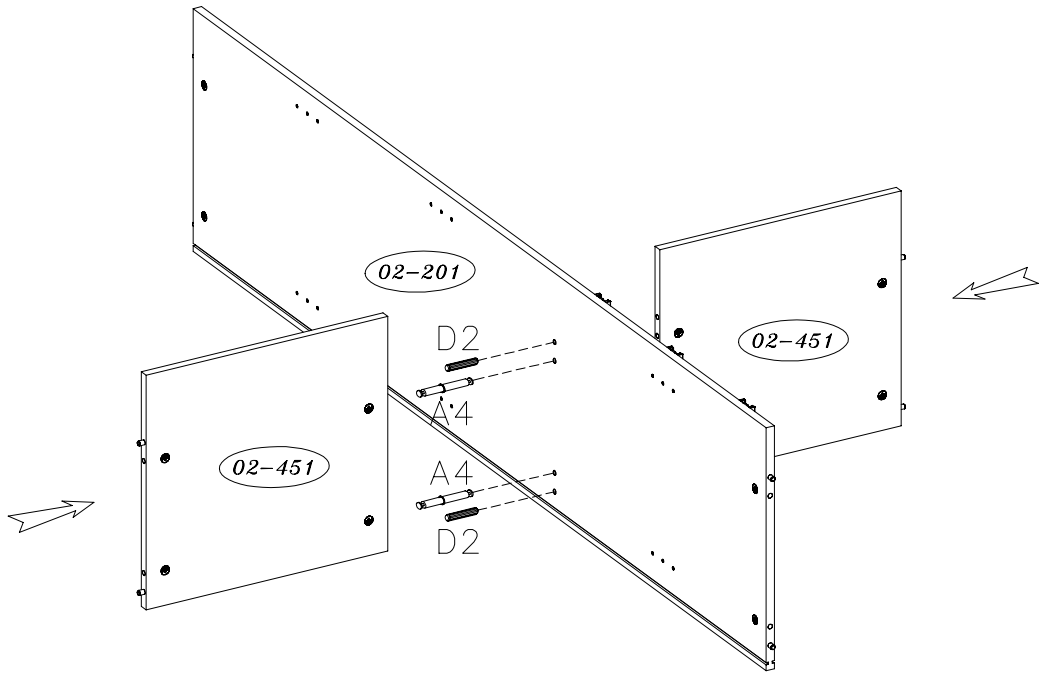



 A	 B	 8.0x30 D	 X	 X13
8	4	4	2	3

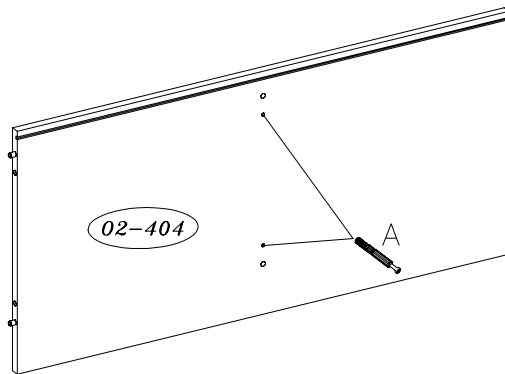


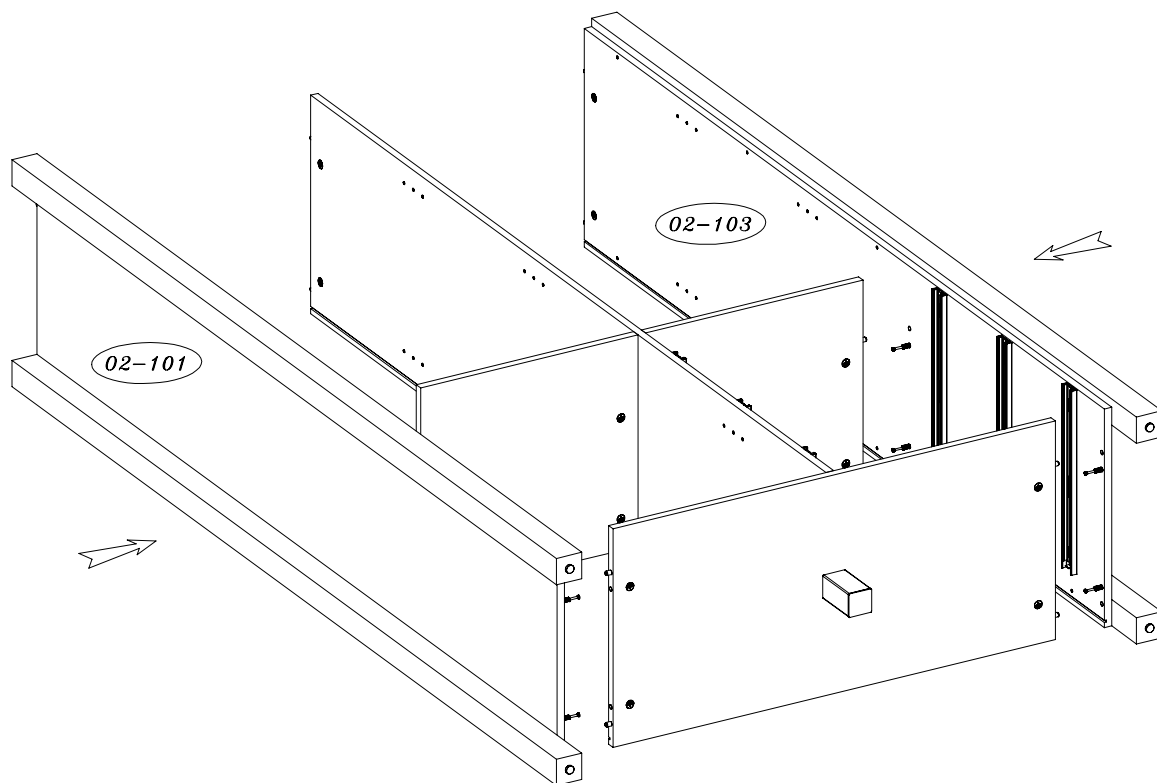
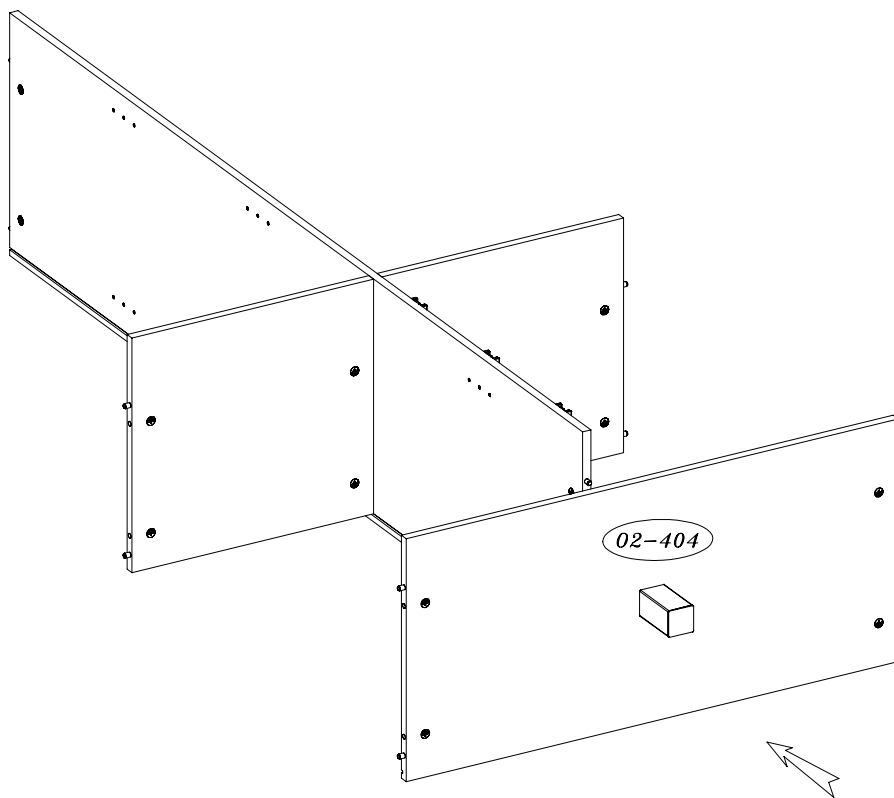


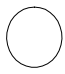
8.0x50  D2 2	 A4 2
--	---

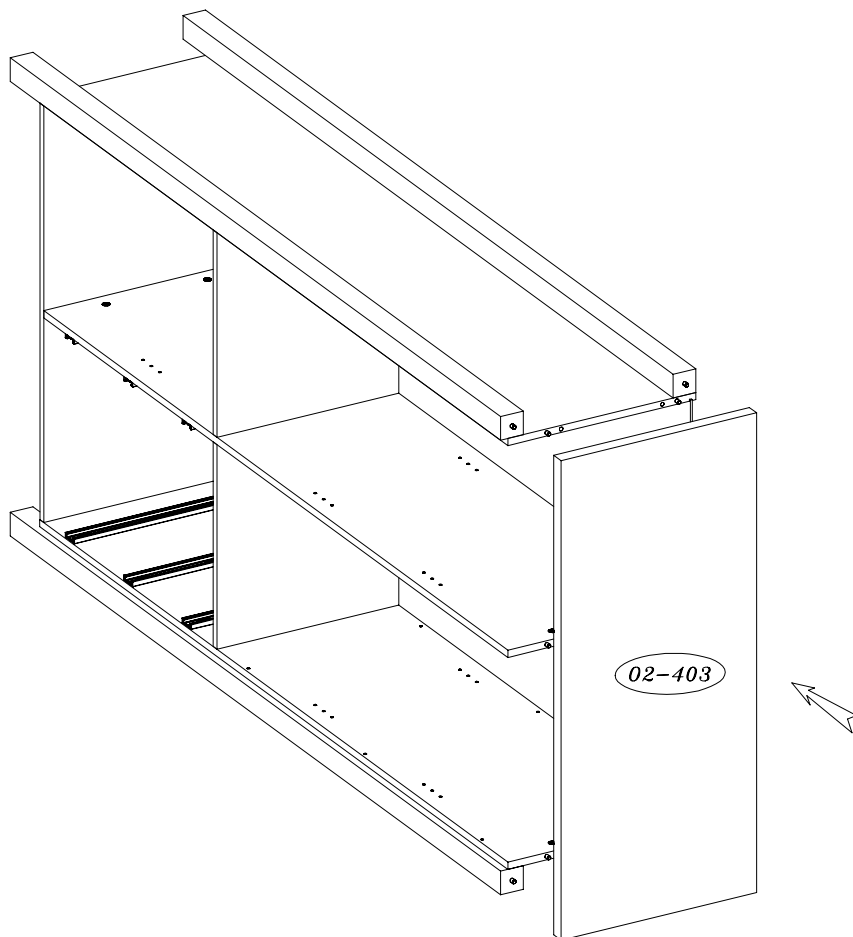
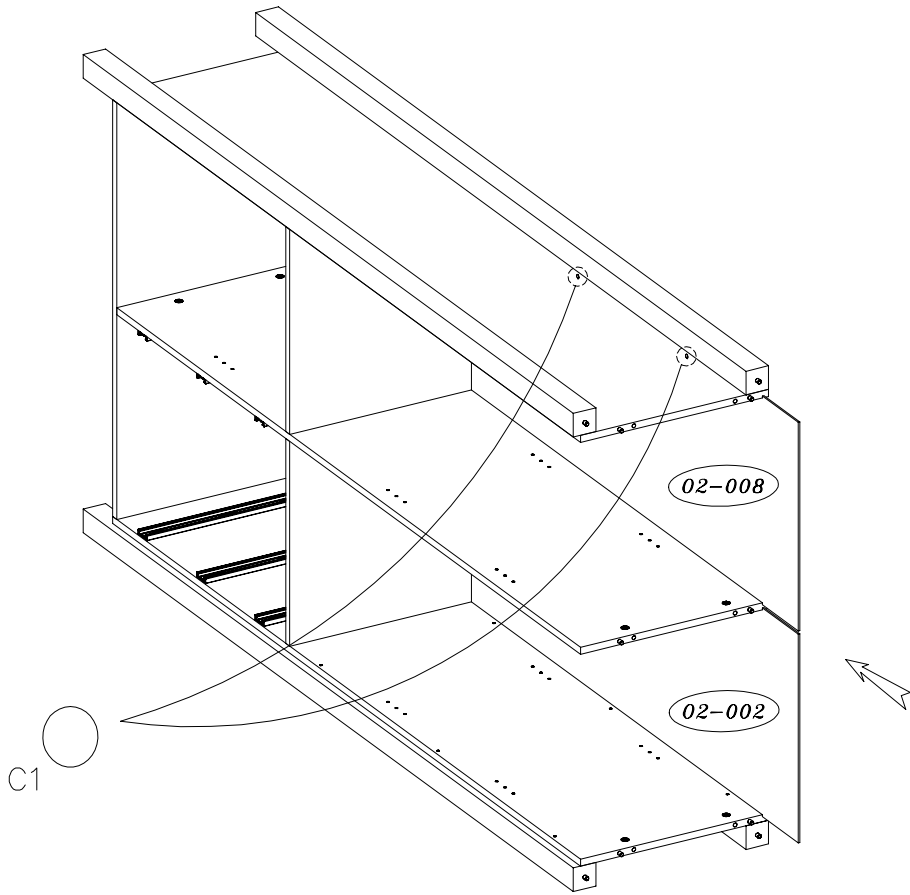


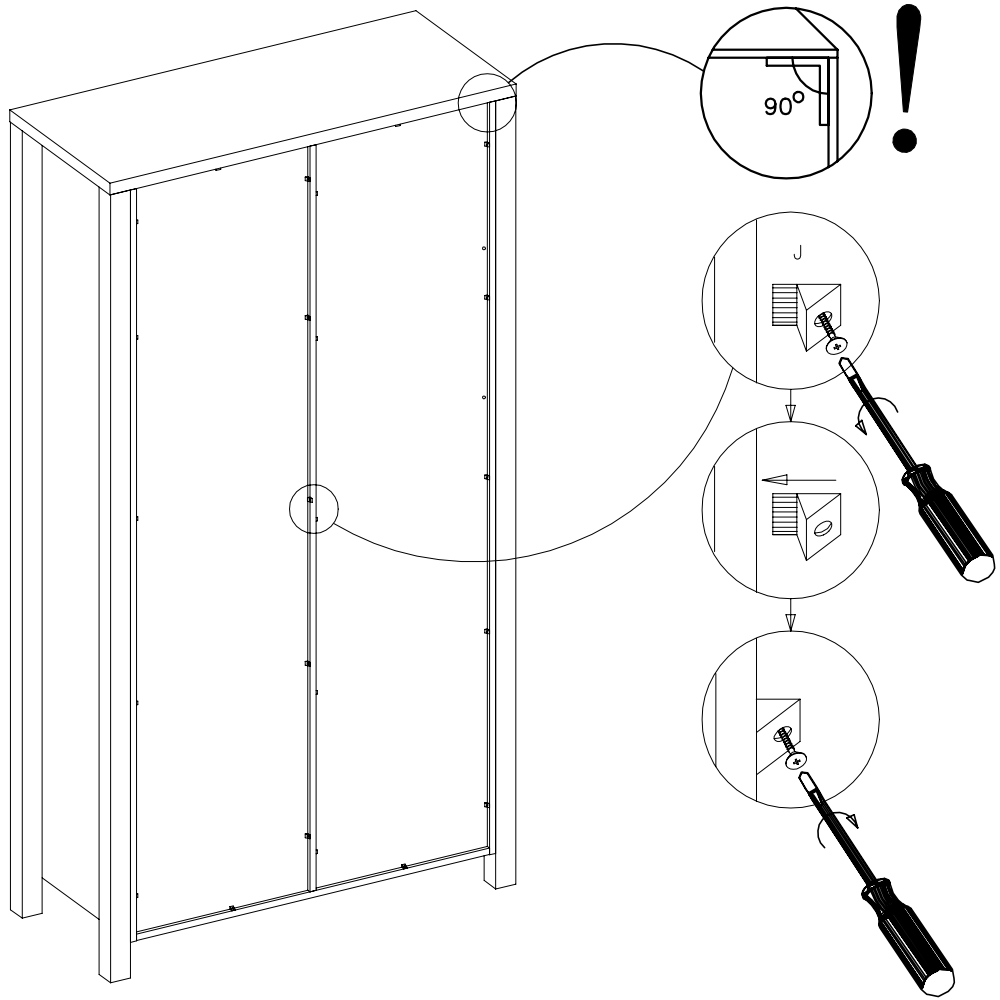
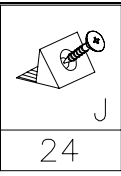
 A 2
--



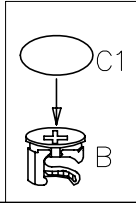
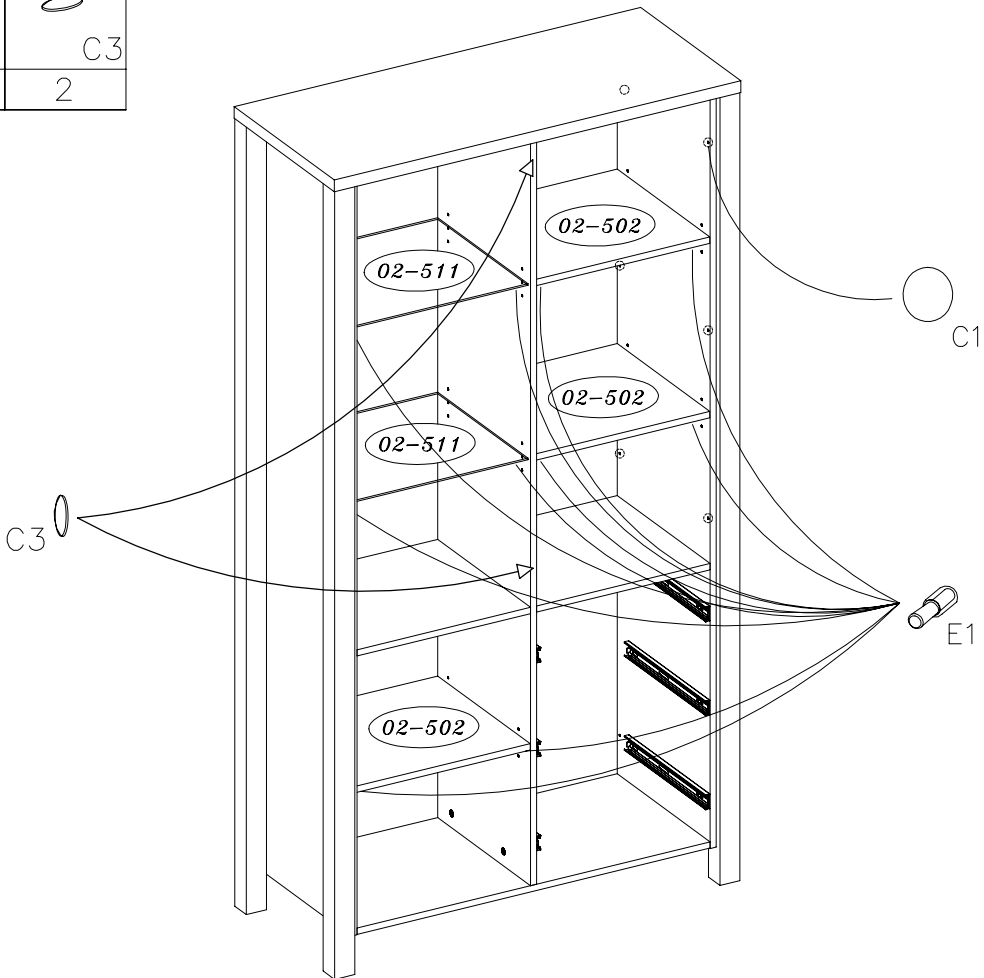



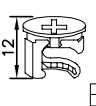
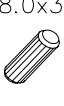



	C1
2	

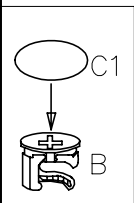
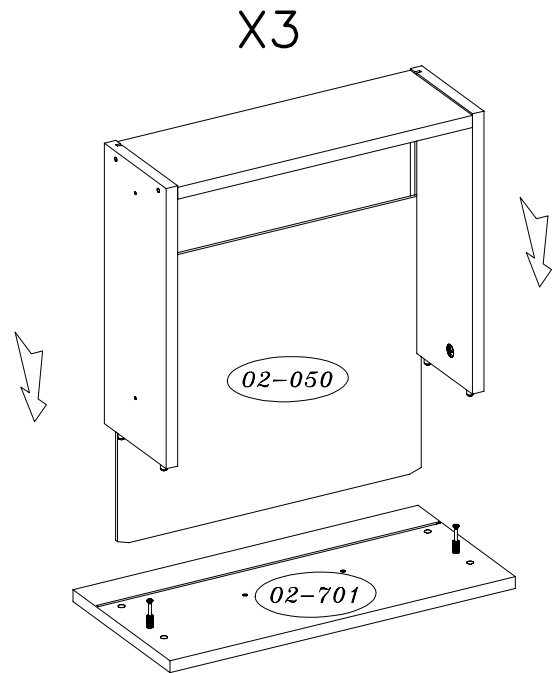
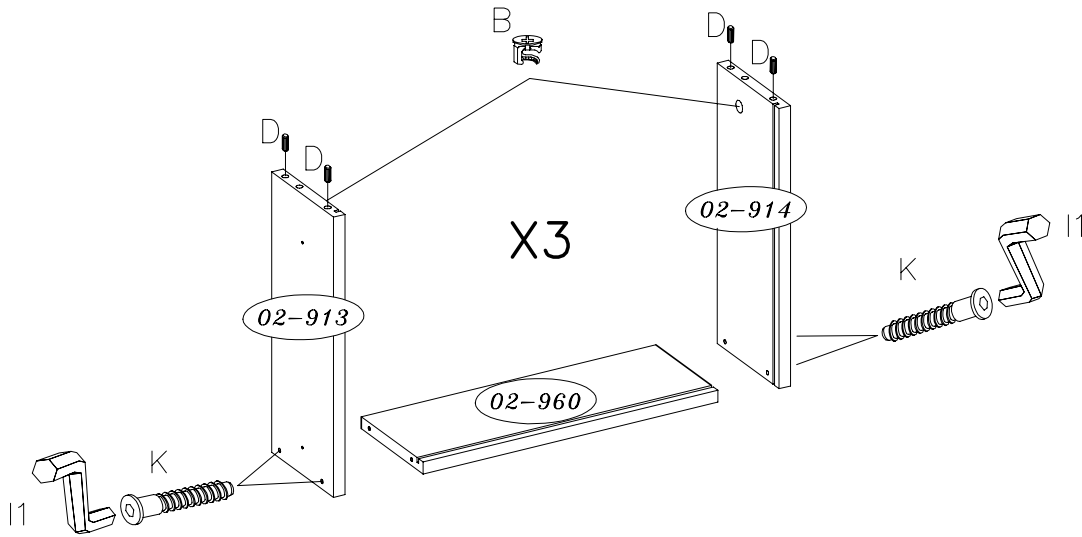
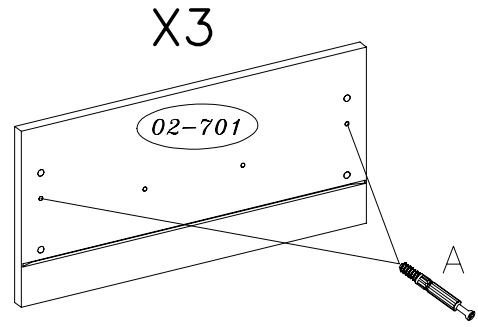




E1	C1	C3
20	24	2



 A	 B	8.0x30  D	5.0x50  K	3mm  I1	 C1
6	6	12	12	1	6

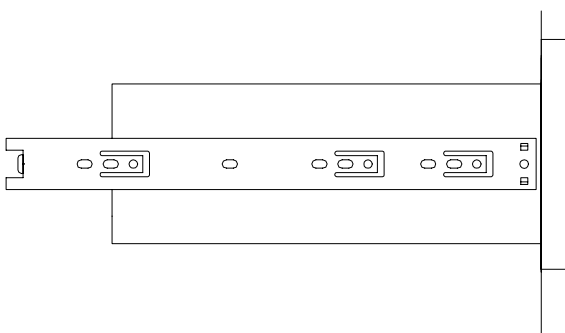
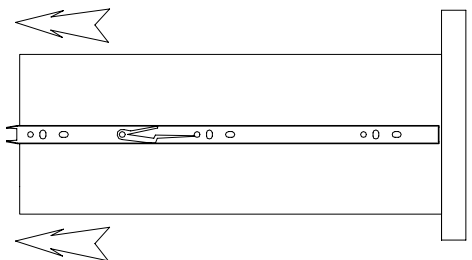
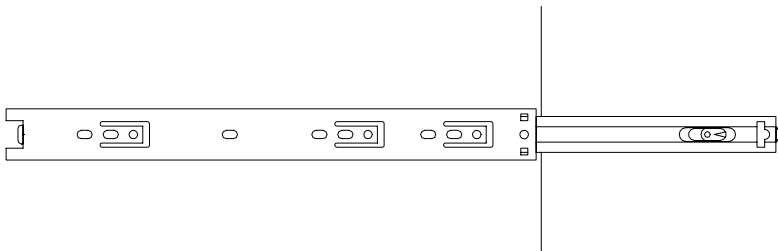
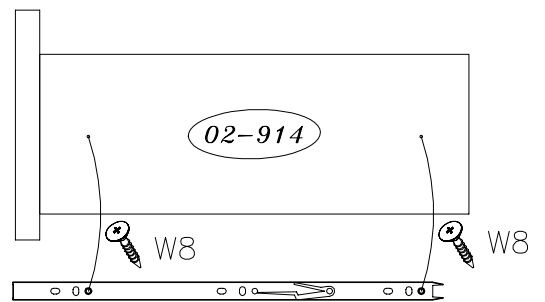
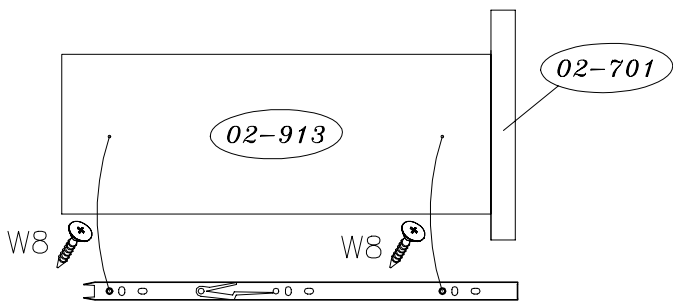
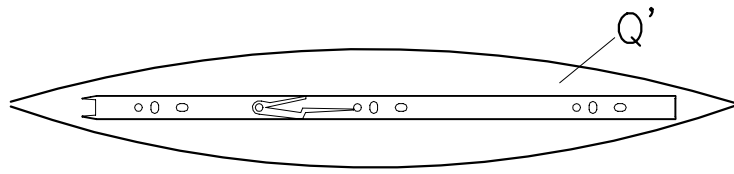


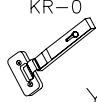

3.5x13

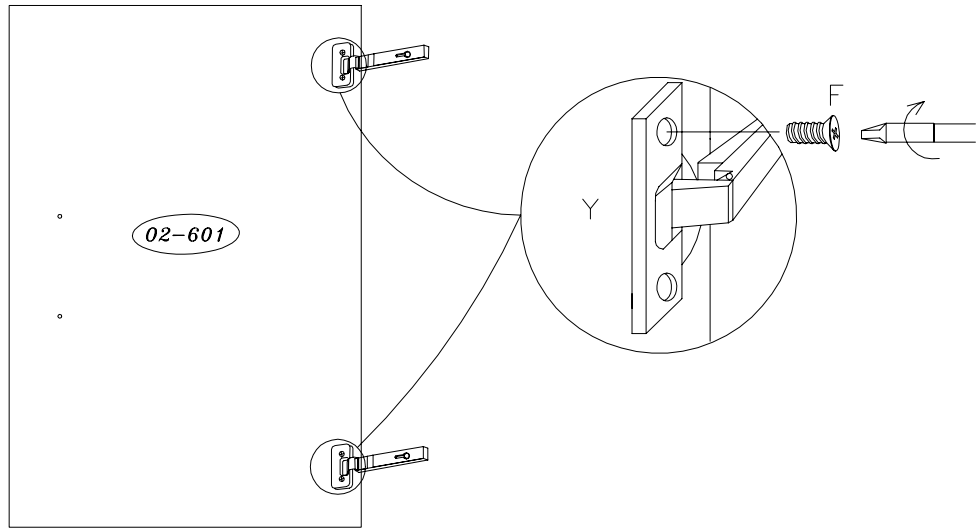


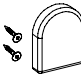
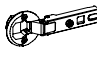
W8

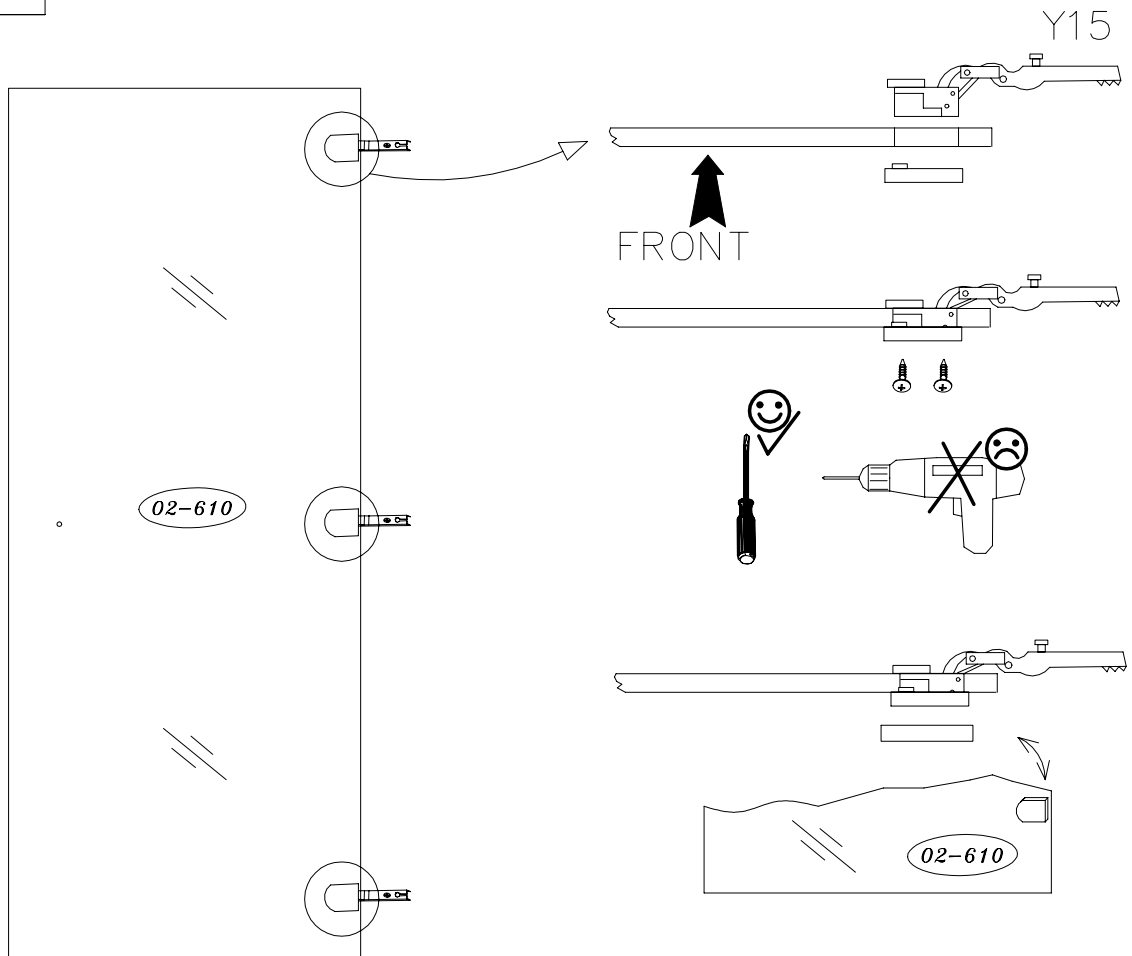
12

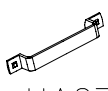






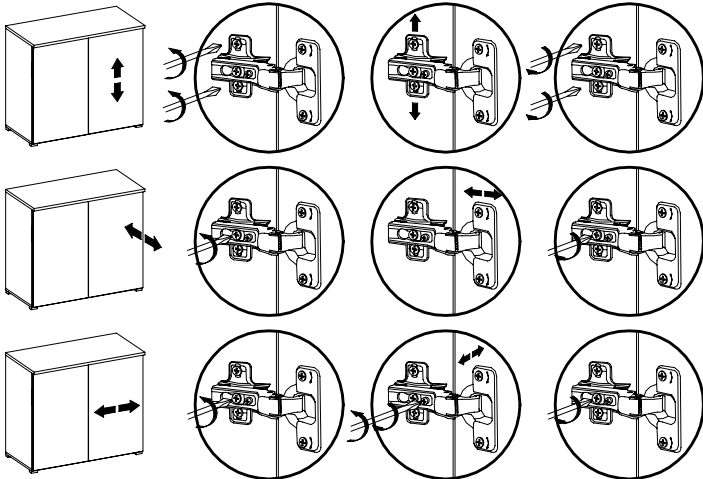
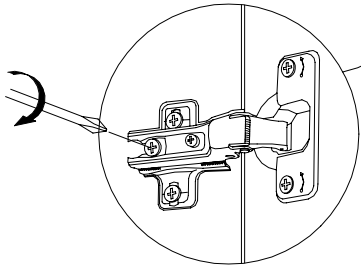
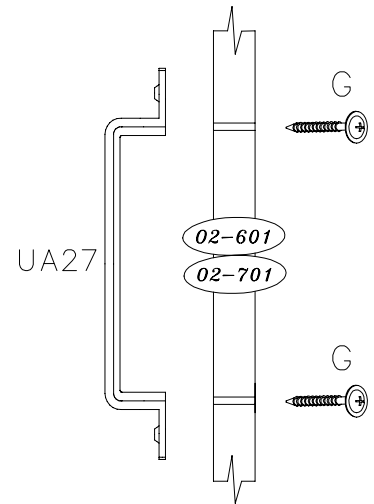
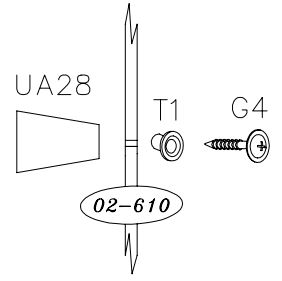
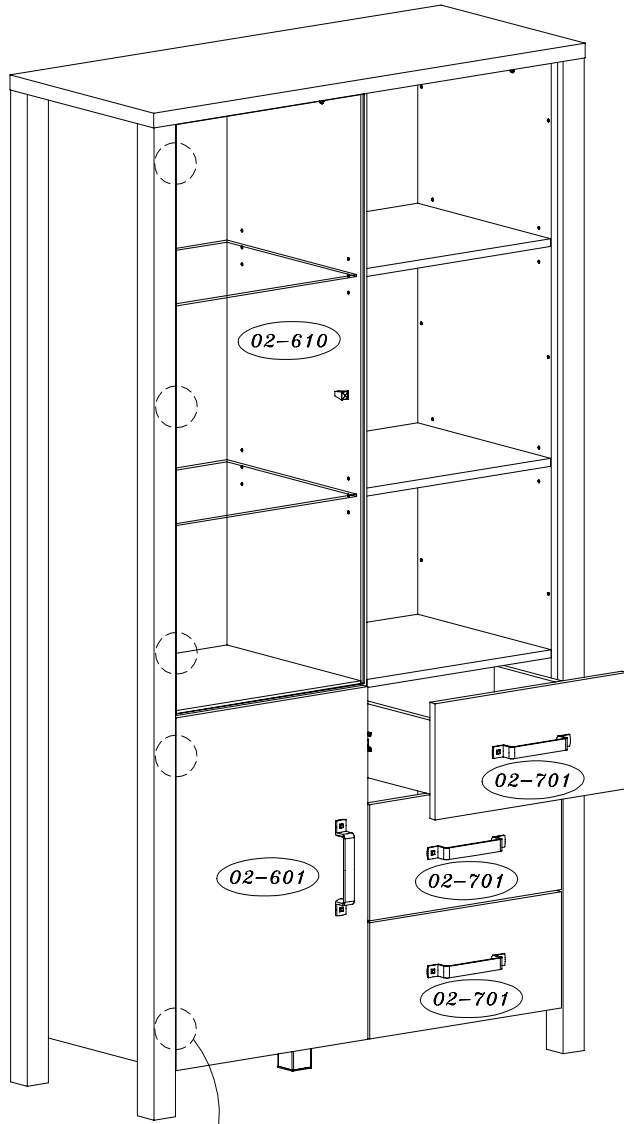
KR-0	6.3x13
	
Y	F
2	4



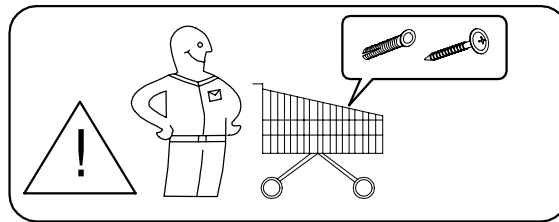
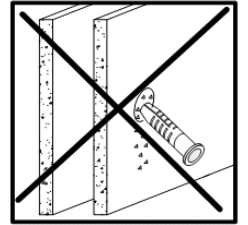
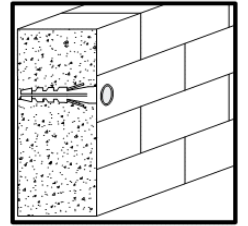
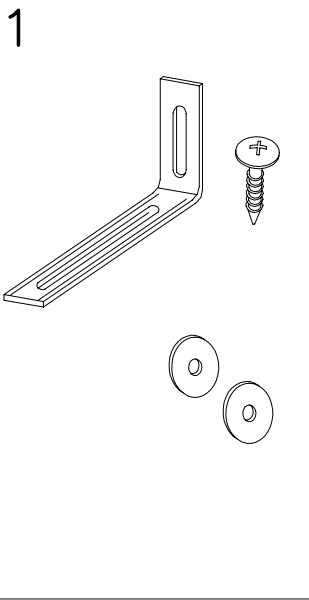
KR-0	
	Y16
Y15	Y16
3	3



	4.0x25 			4.0x16 
UA27	G	UA28	T1	G4
4	8	1	1	1







2

