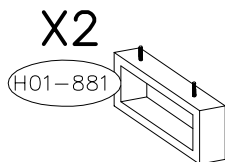
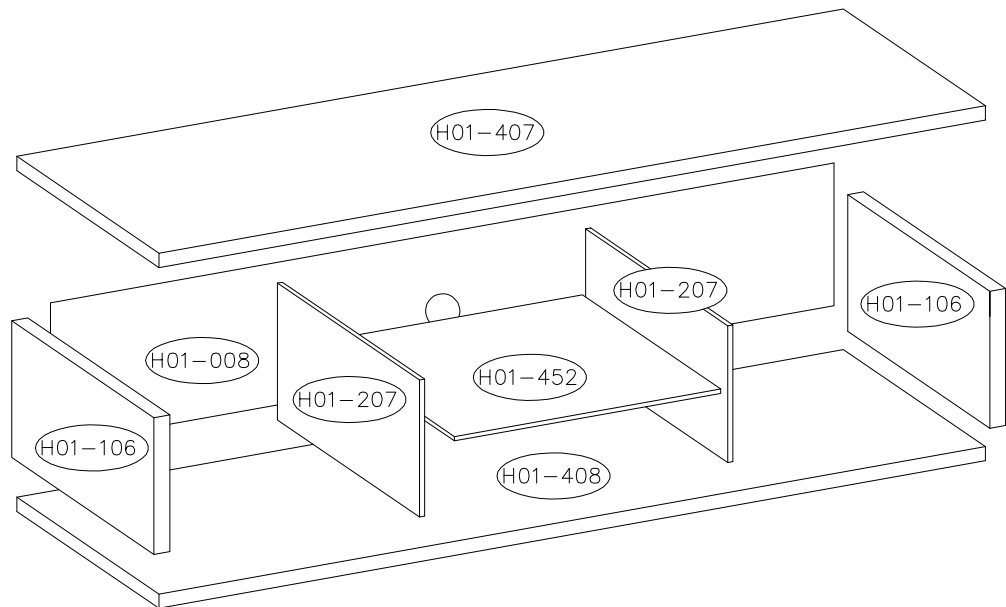
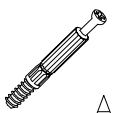
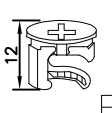
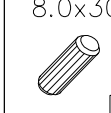
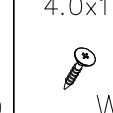
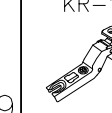
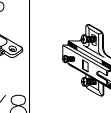

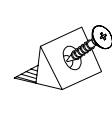
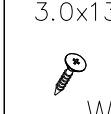
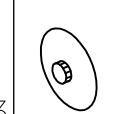
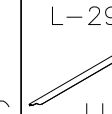
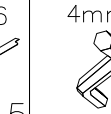
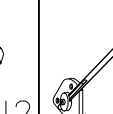
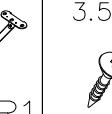
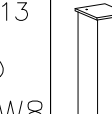
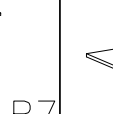

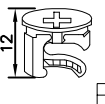
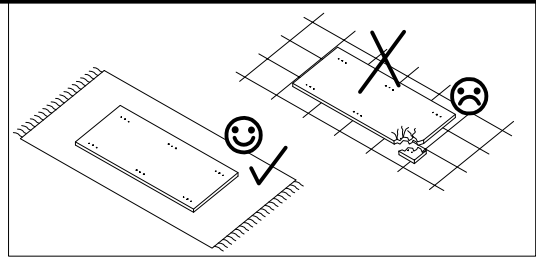

 H01-452  
 MAX  
 5kg

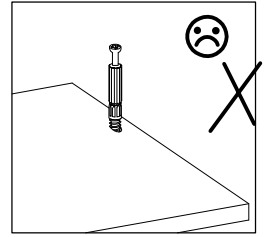
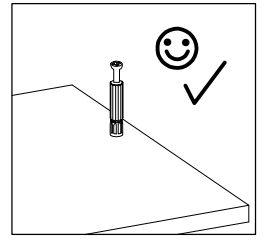
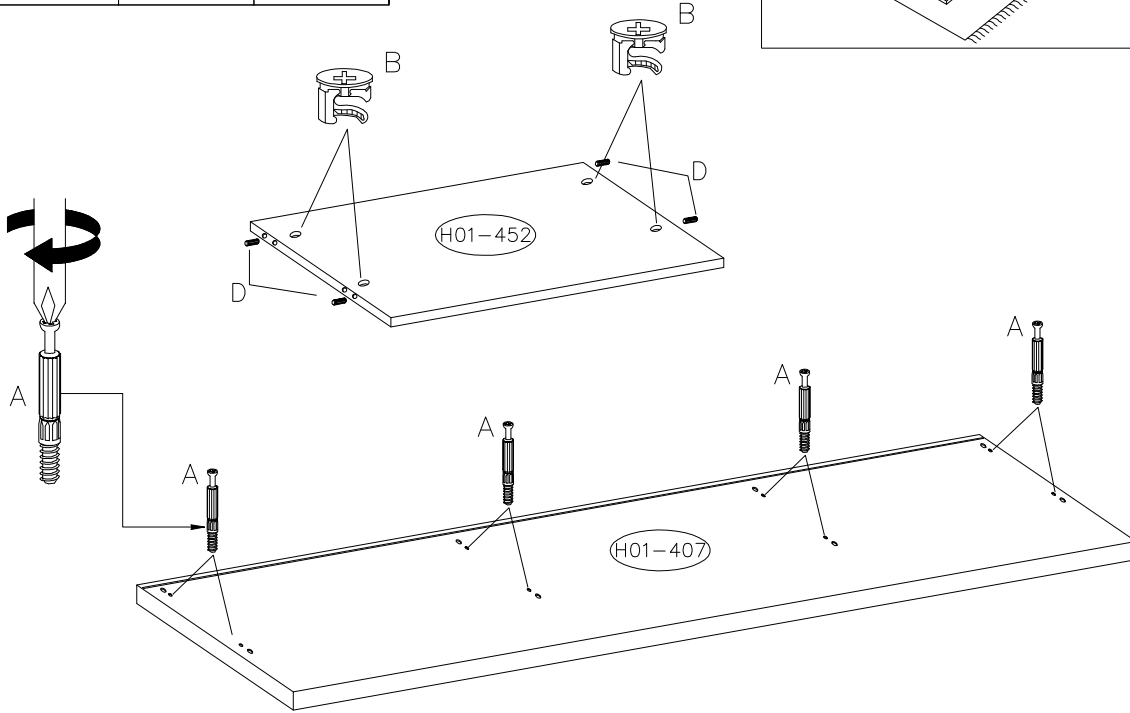







 A	 B	 D	 W9	 Y8	 X1	8.0x30	4.0x13	KR-15		
20	20	20	8	4	4					
 T6	 J	 W3	 C	 UA5	 I2	3.0x13		L-296	4mm	
4	10	16	20	2	1					
									 R1	 W8
									 P7	 P8
									2	4

		8.0x30
A	B	D
8	4	4

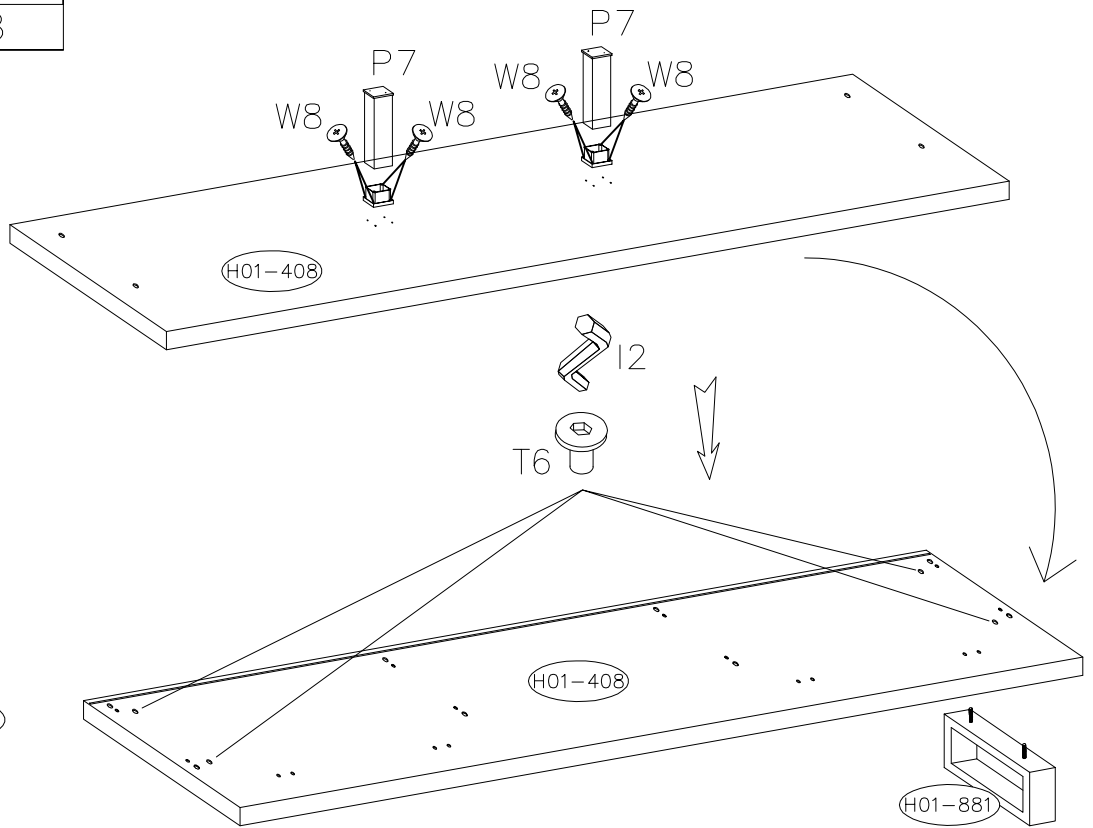


1

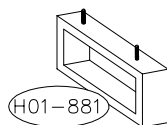
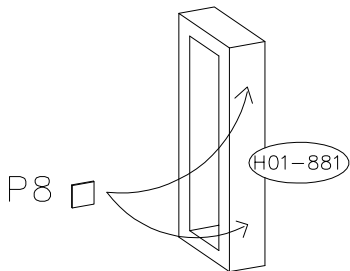


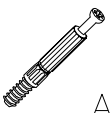
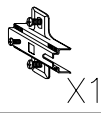
	4mm	3.5x13
T6		
4	1	8
		
P7	P8	
2	4	

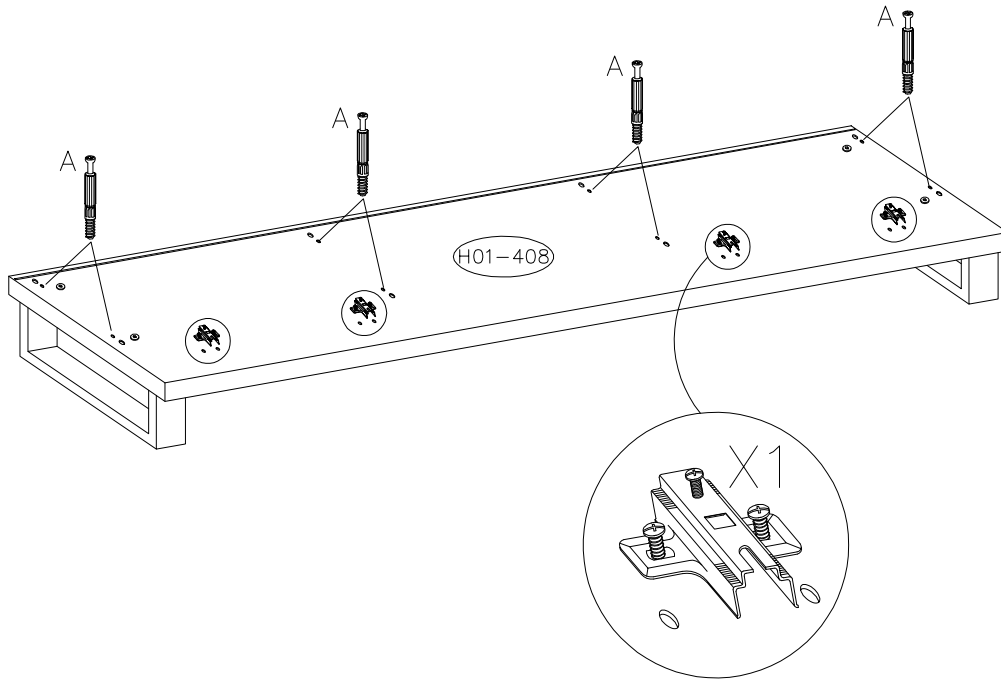
2

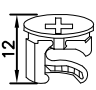




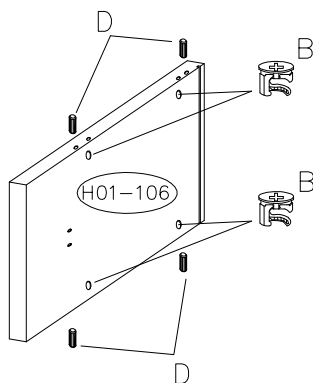
X2



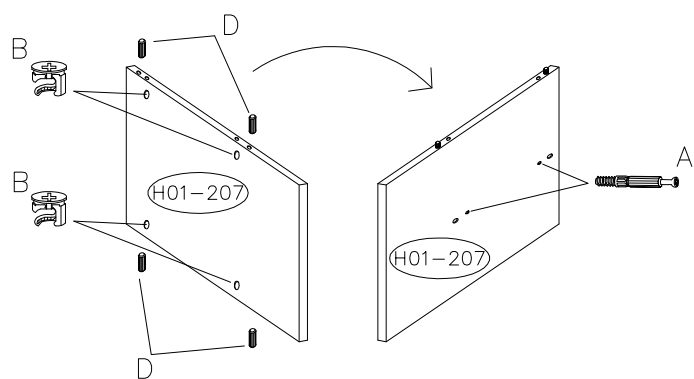
	
A	X1
8	4

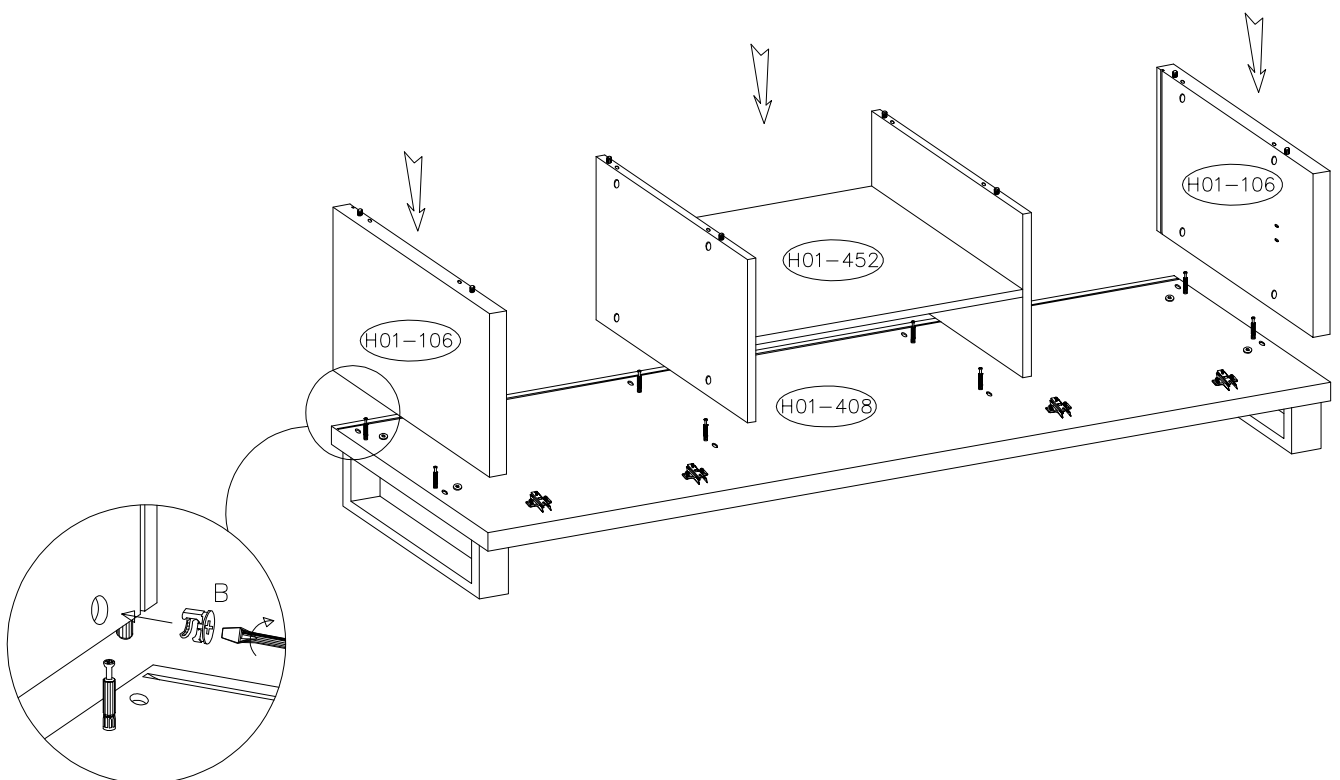
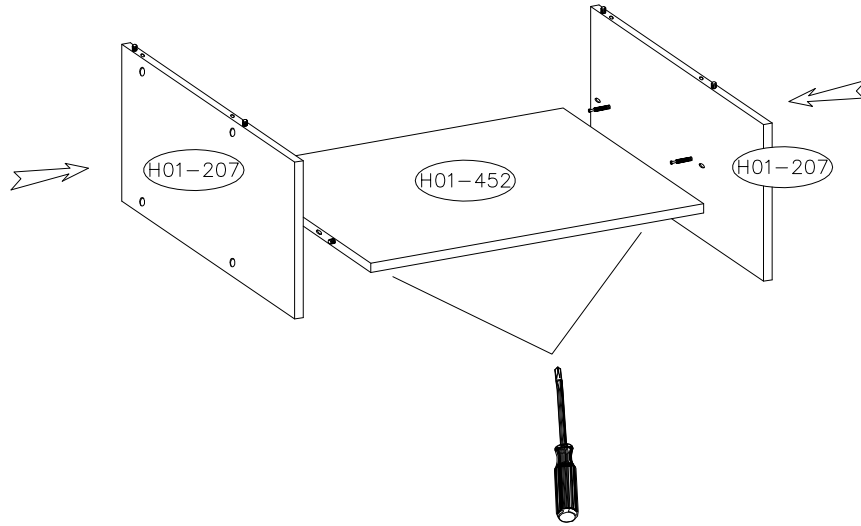


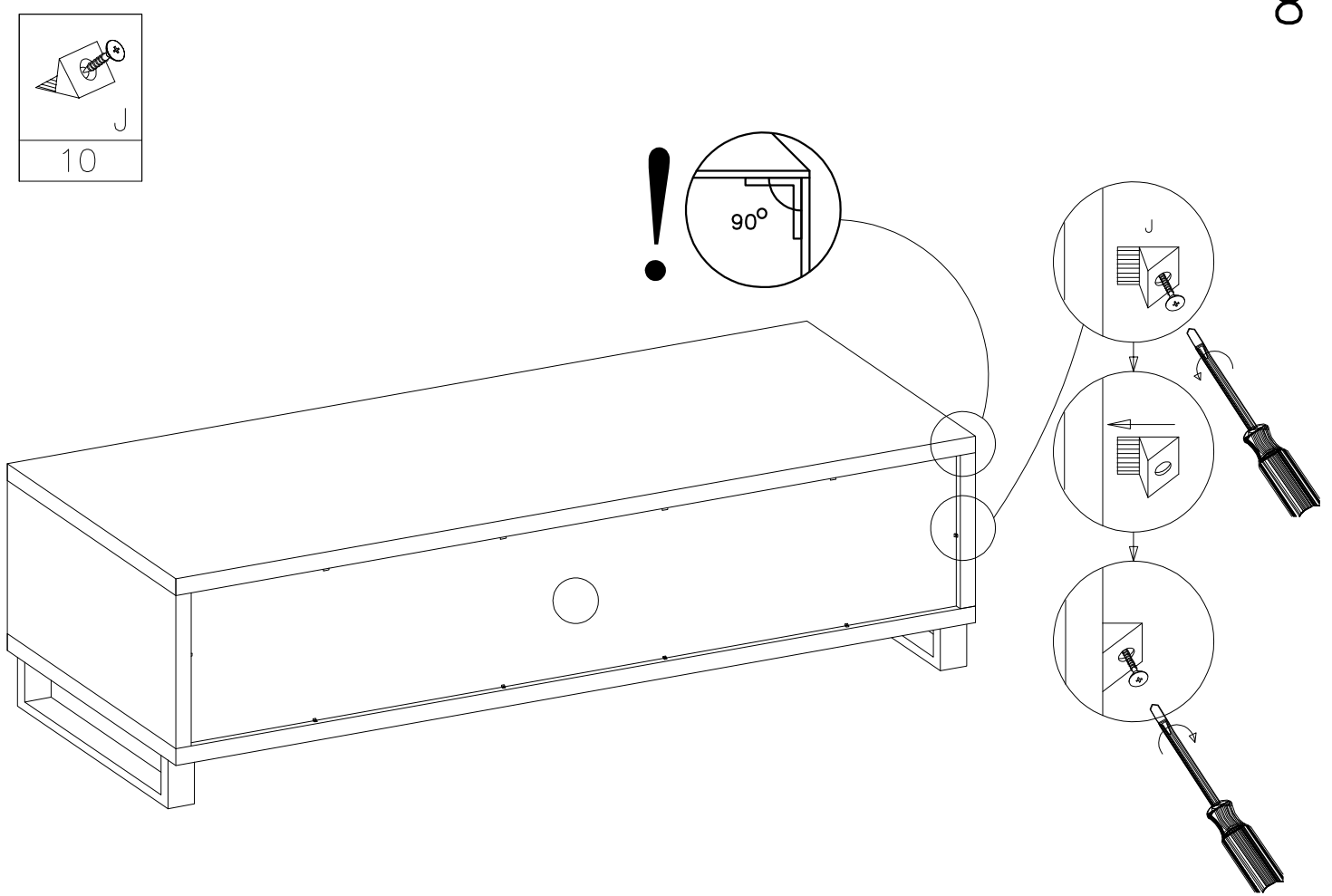
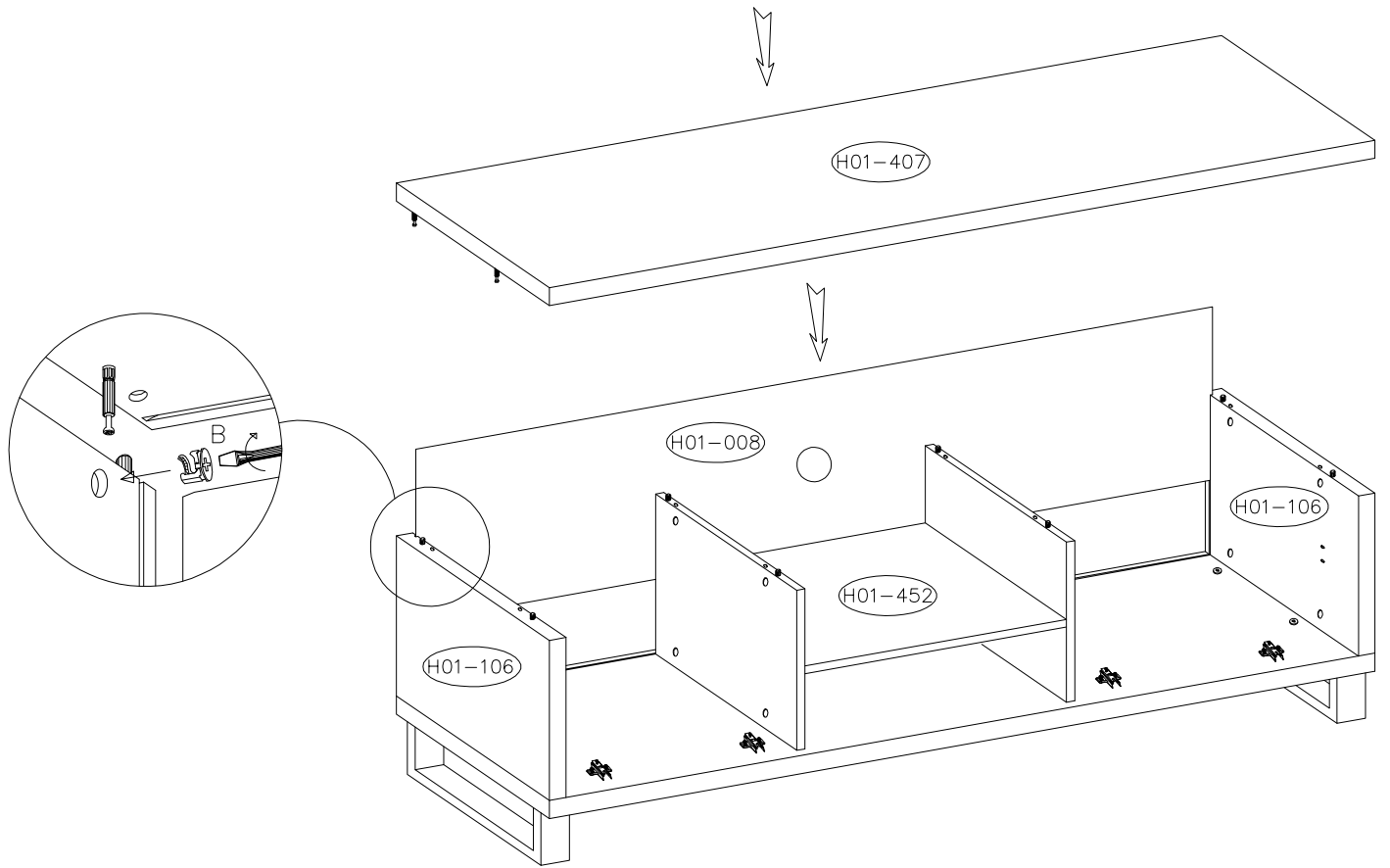
		
B	D	A
16	16	4



X2

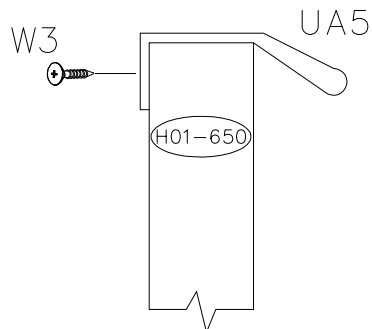
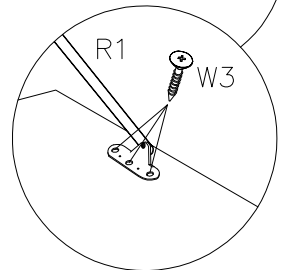
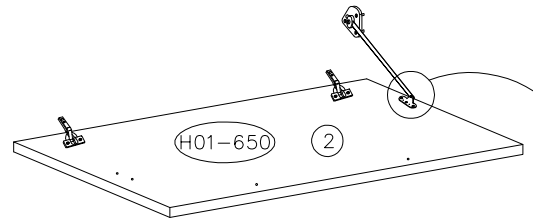
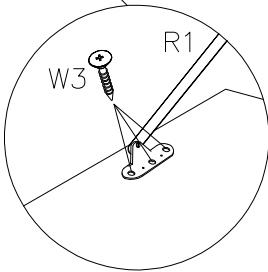
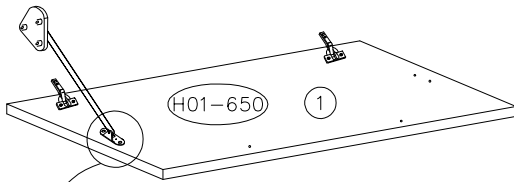
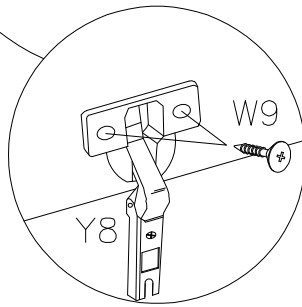
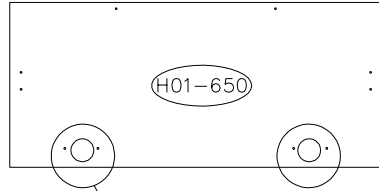






4.0x13 W9 8	KR-15 Y8 4	3.0x13 W3 10	R1 2	L-296 UA5 2
-------------------	------------------	--------------------	---------	-------------------

X2



3.0x13 W3	C
6	20

