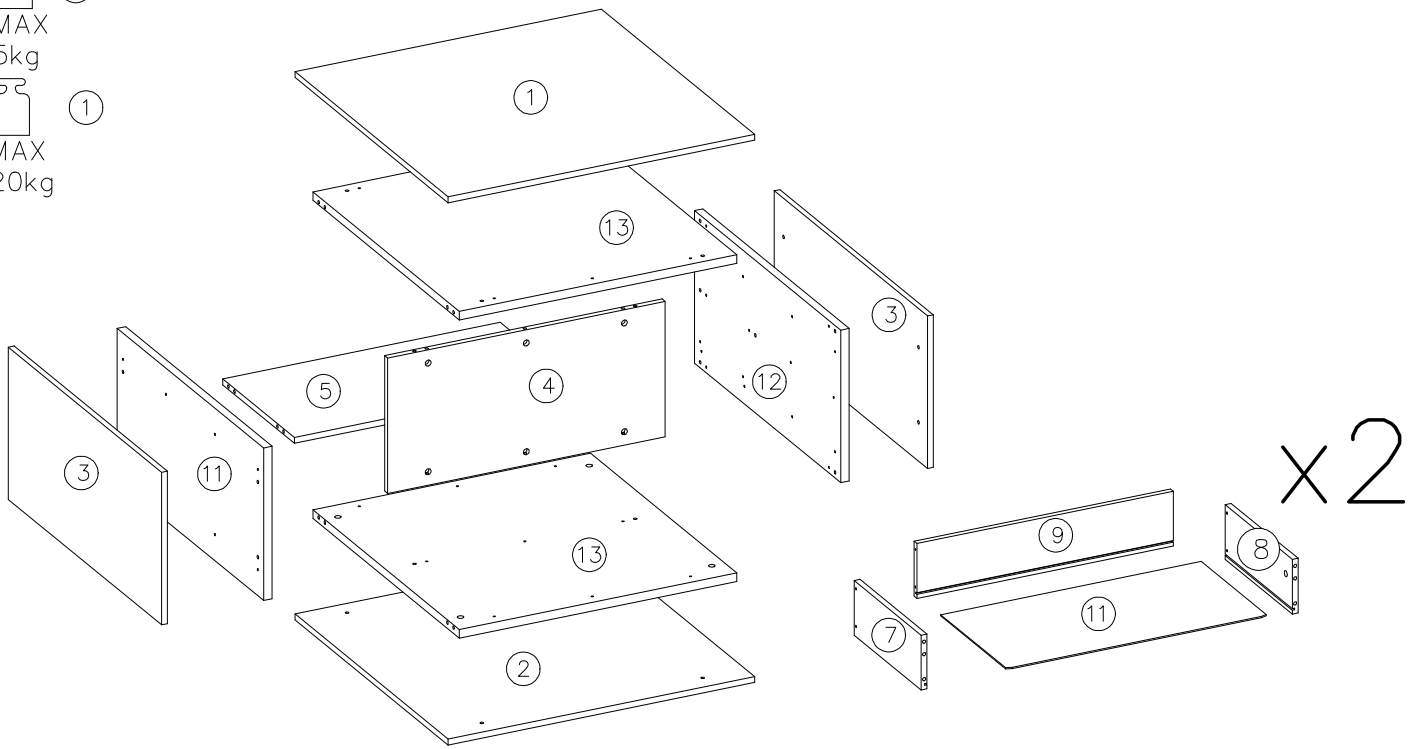
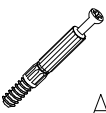
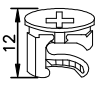
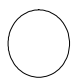
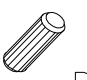






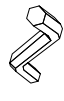
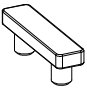
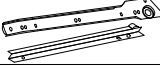
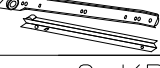


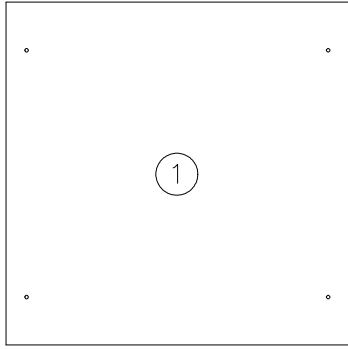


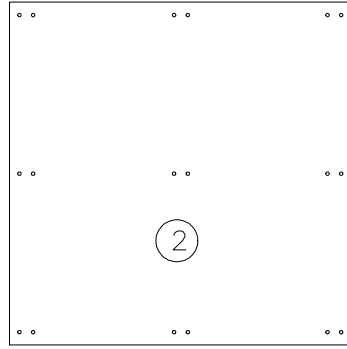
 ⑤
 MAX
 5kg
 ①
 MAX
 20kg



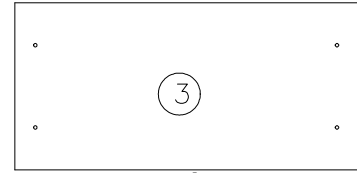
 A	 B	 C1	 D	 D10	 F	 W3	 W2	 G3
22	22	20	24	16	8	4	28	8
 K	 I1	 P1	 R	 L	 N1	 W8		
8	1	9	2 KPL	Q5	2	4		



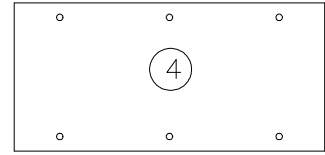
800x800x15



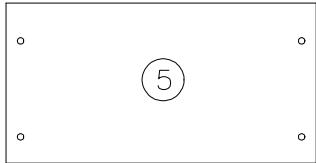
800x800x15



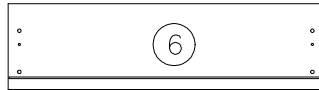
390x800x15 x2



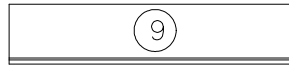
724x346x15



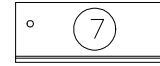
724x374x15



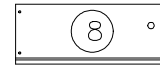
736x200x15 x2



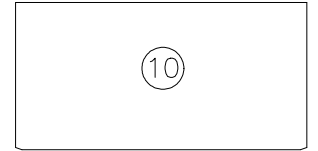
669x140x15 x2



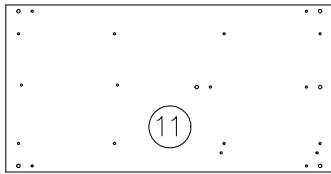
350x140x15 x2



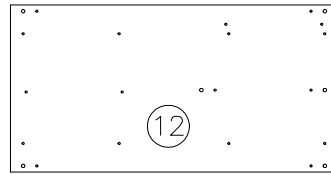
350x140x15 x2



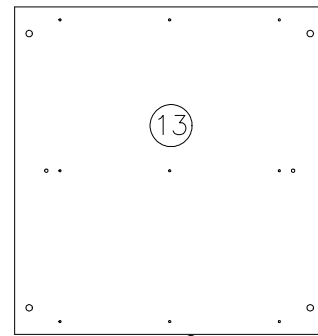
680x344x3 x2



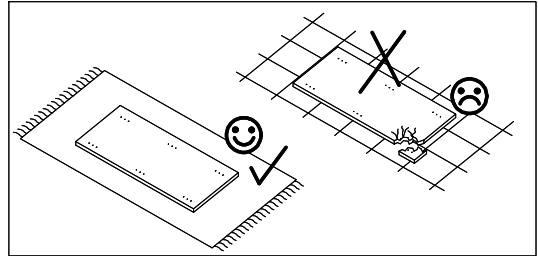
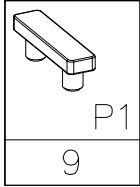
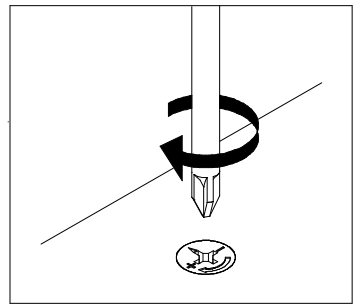
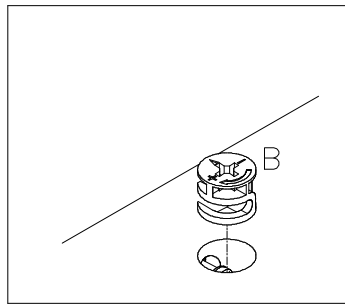
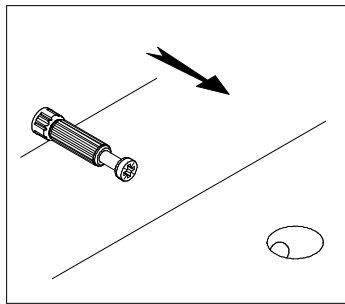
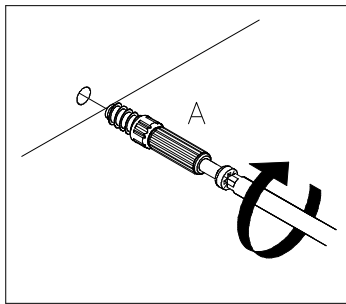
390x764x22



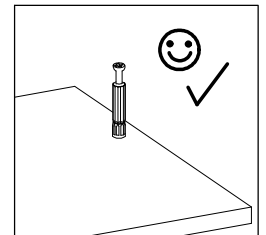
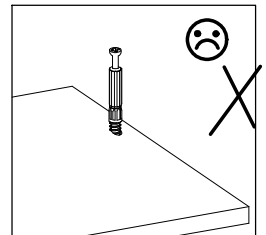
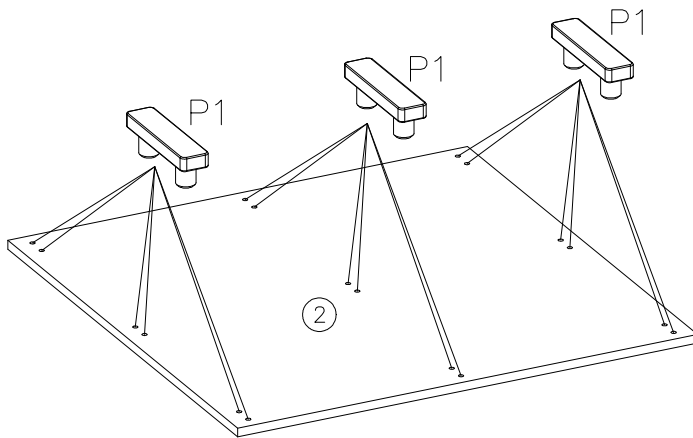
390x764x22



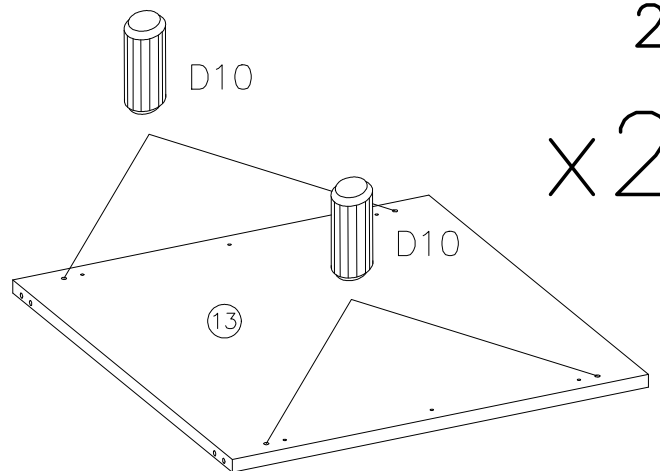
724x764x22 x2



1

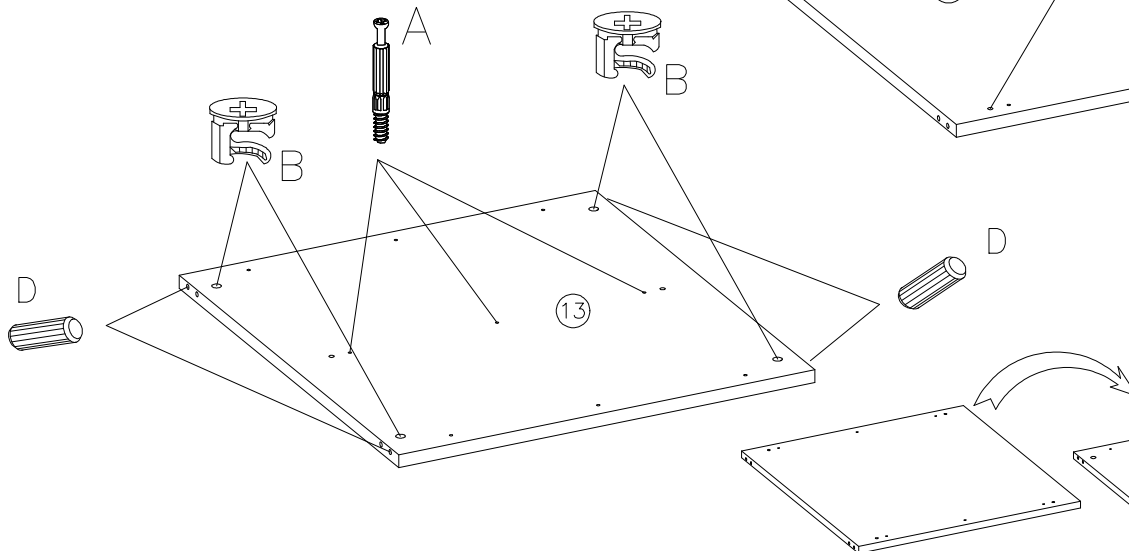



B	D	A	D10
8	8	6	8

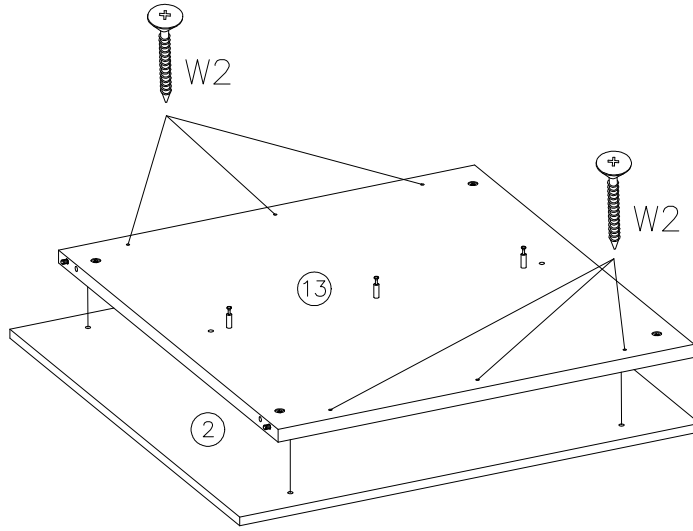


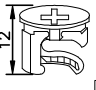
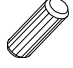
2

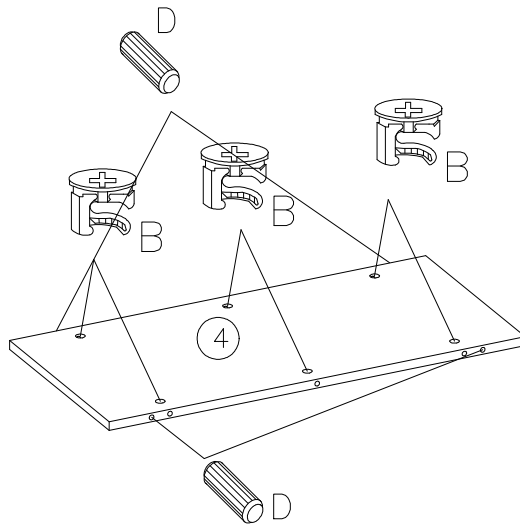
x2

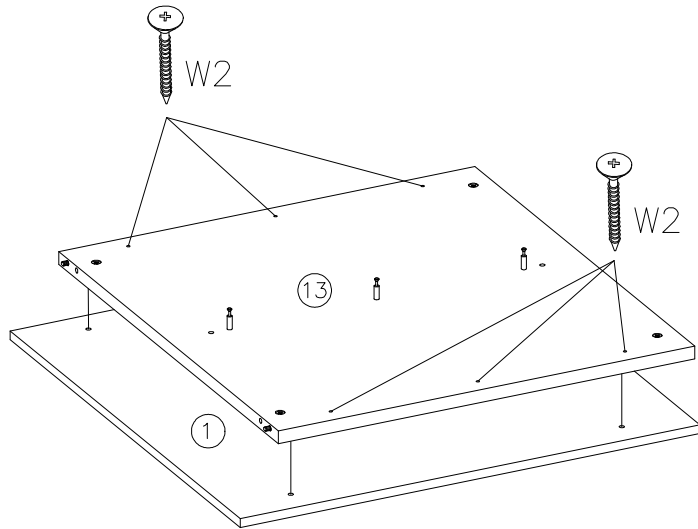
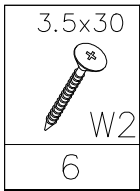
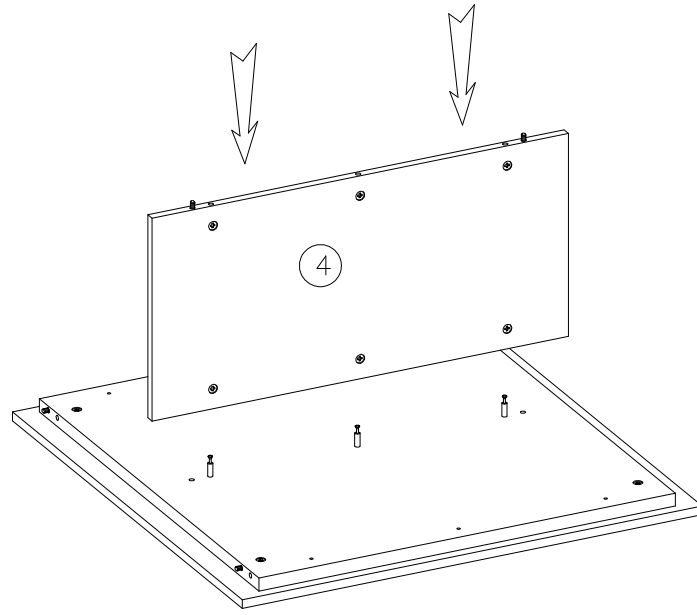


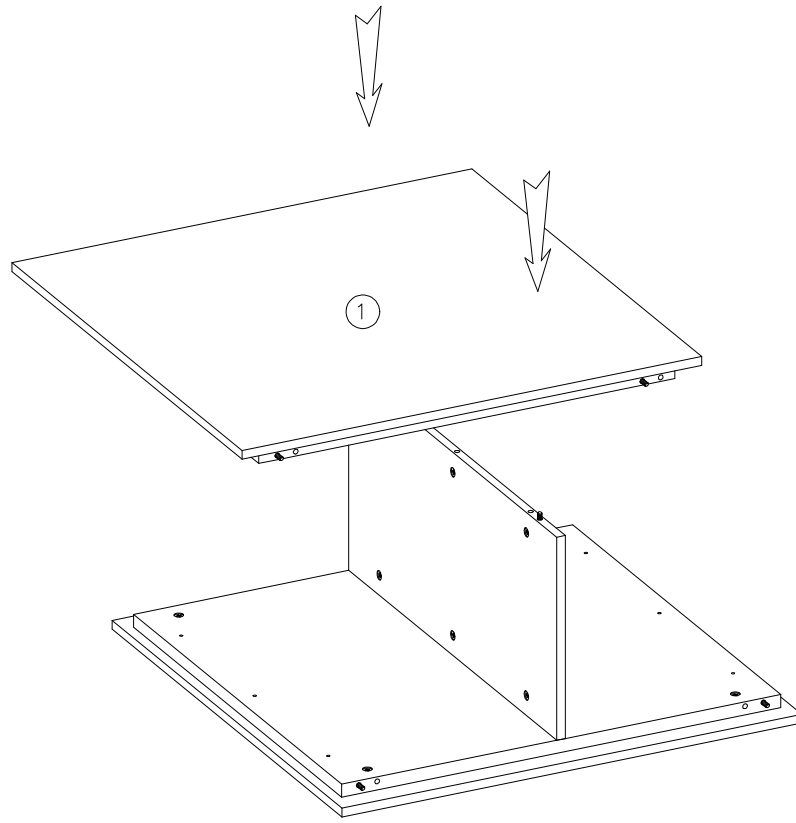
3.5x30  W2
6





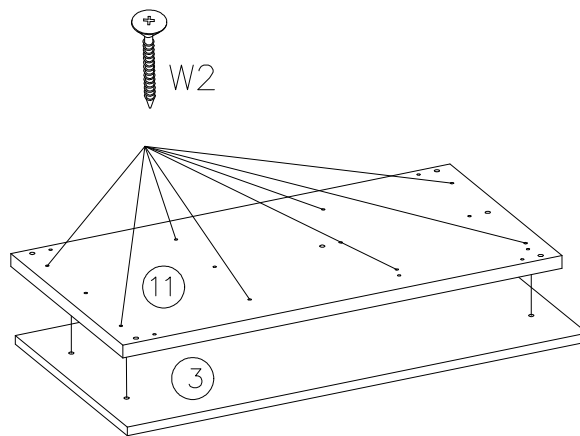
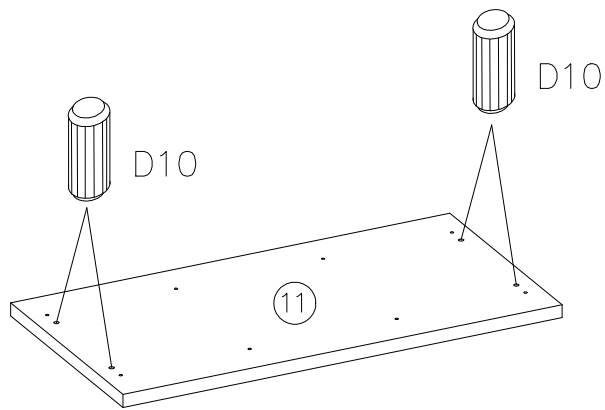
 12 B	8.0x30  D
6	4

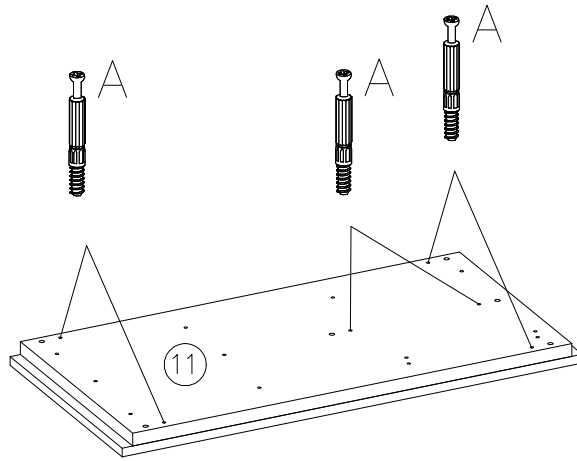
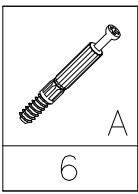








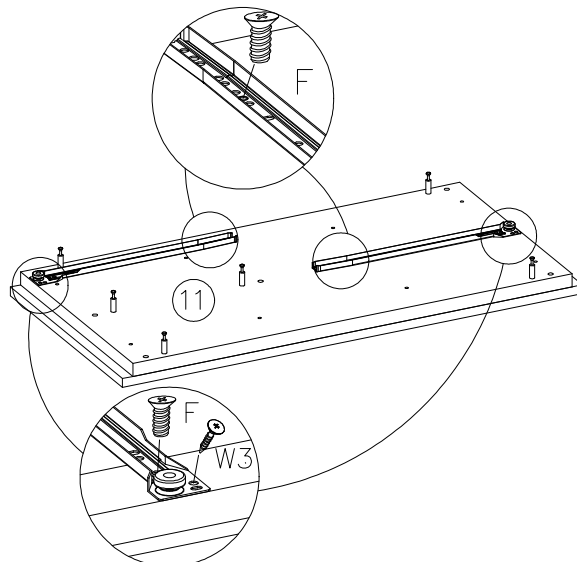


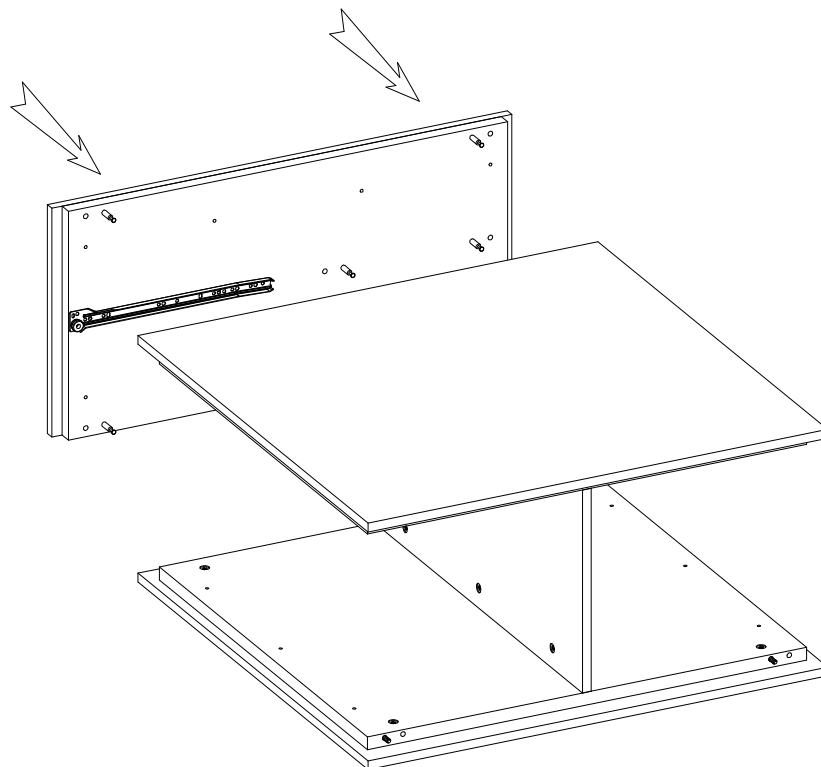
8.0x20  D10 4	3.5x30  W2 8
--	--

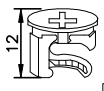
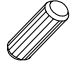


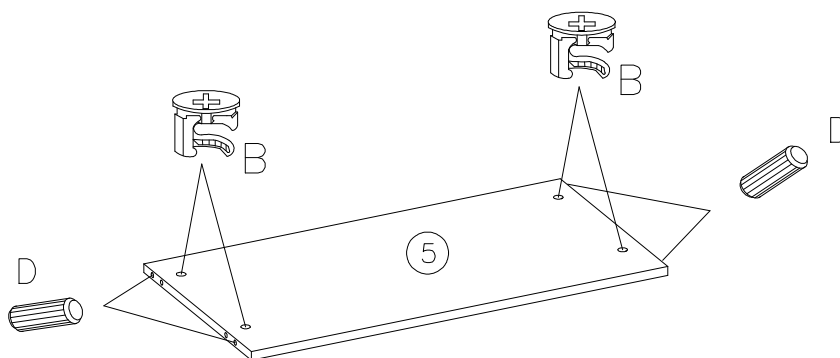


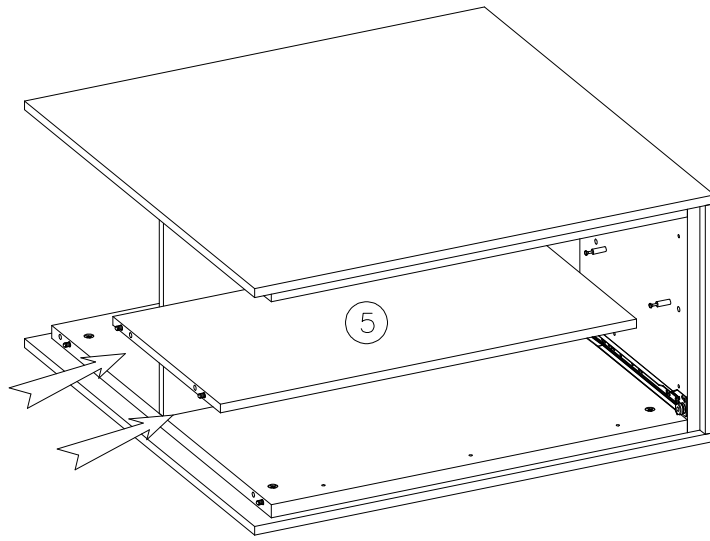
6.3x13  F 4	3.0x13  W3 2	 R  L Q5 2 KPL
---	--	--





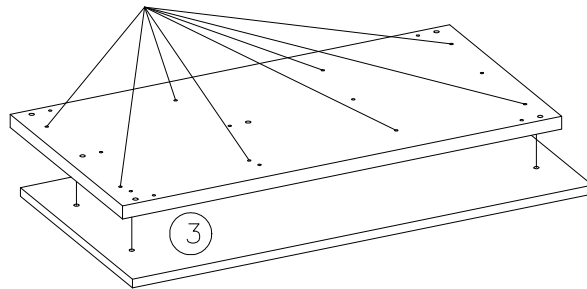
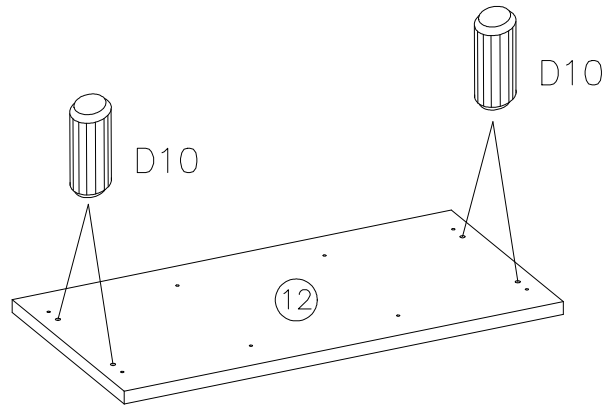


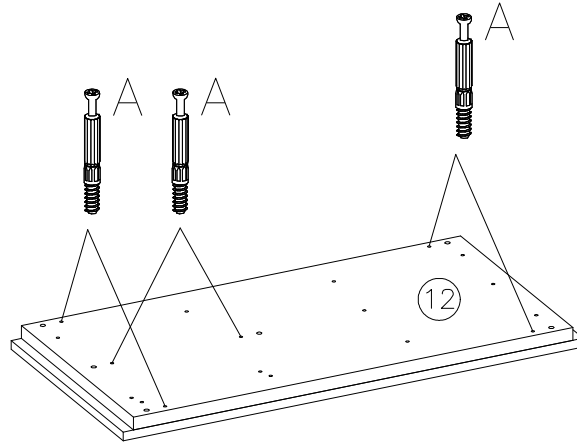
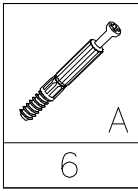
 <p>12</p> <p>B</p>	<p>8.0x30</p>  <p>D</p>
<p>4</p>	<p>4</p>




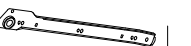


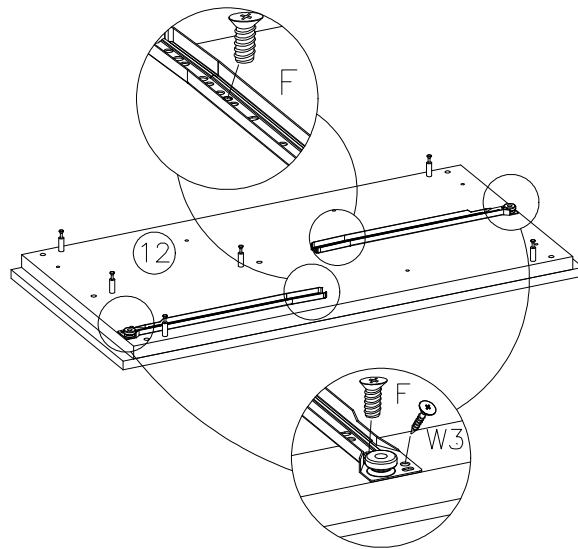


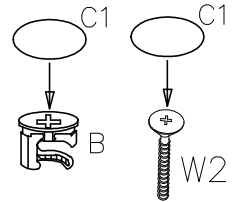
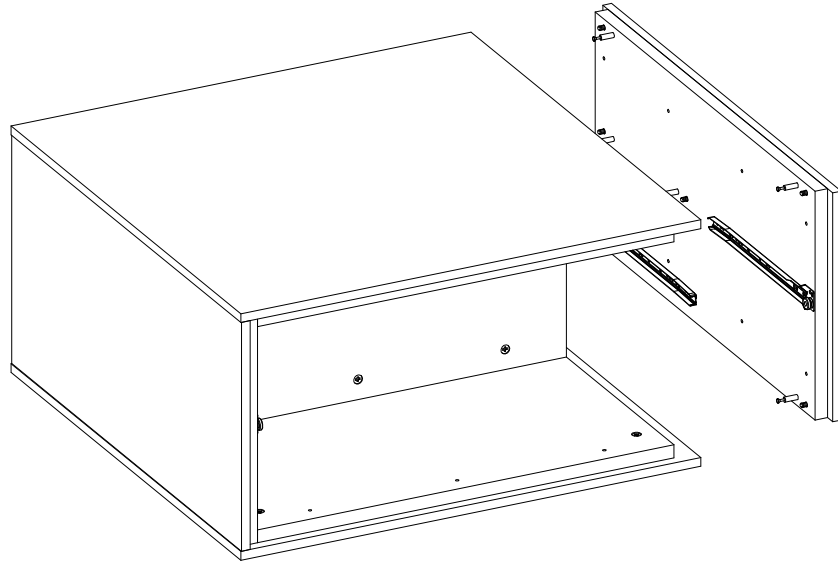
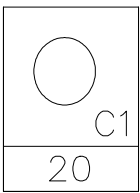
8.0x20	3.5x30
	
D10	W2
4	8

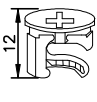
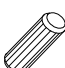

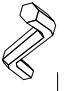




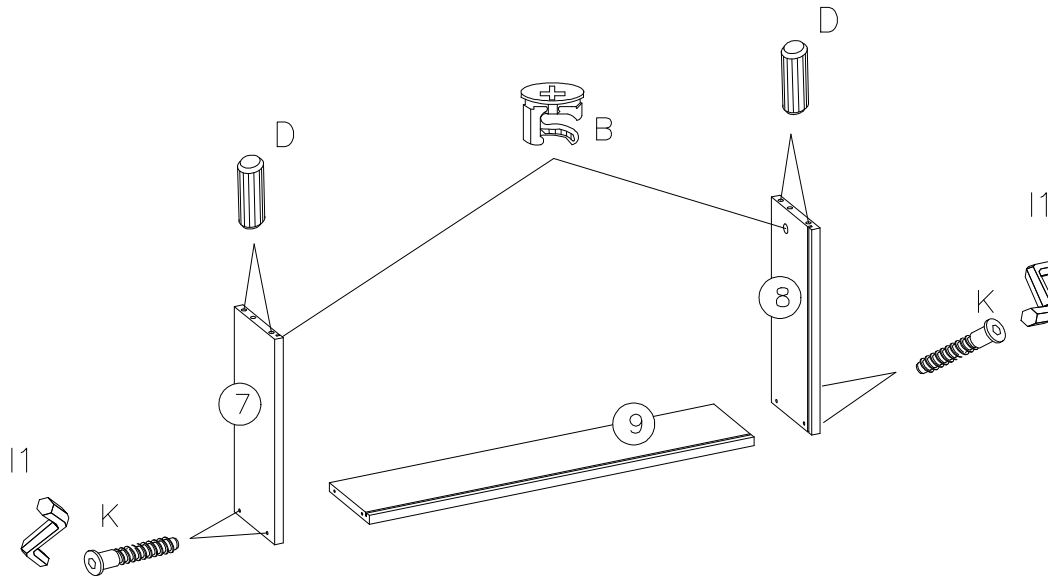
6.3x13  F	3.0x13  W3	 R  L Q5
4	2	2 KPL

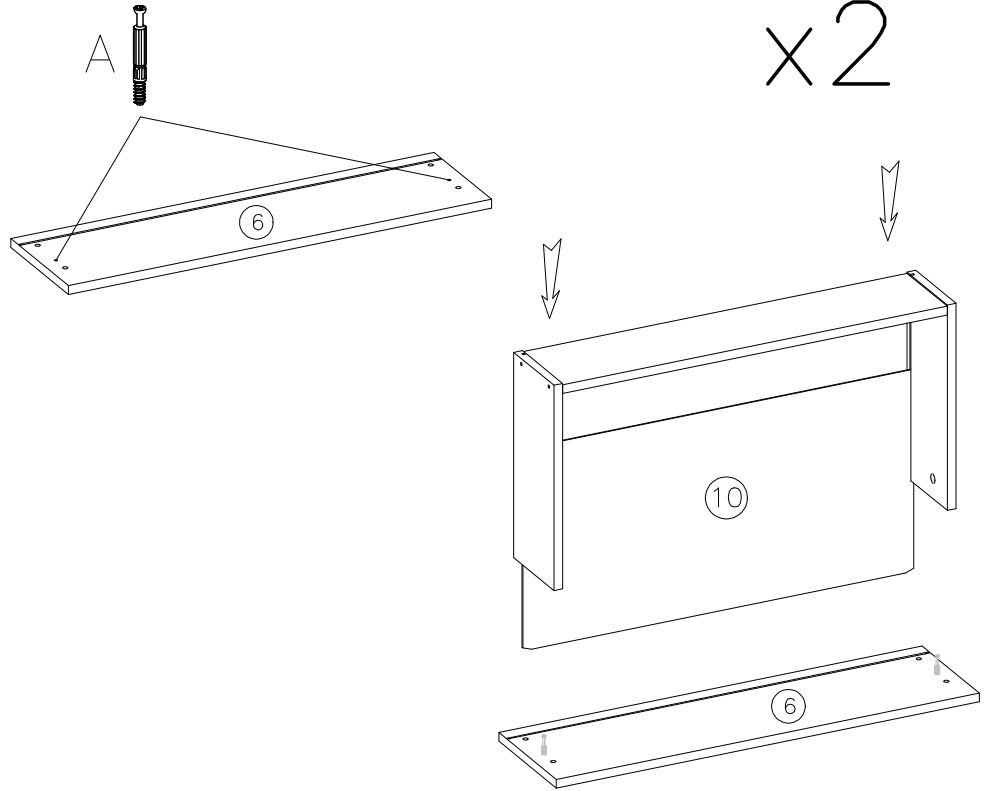
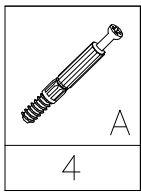




			
4	8	8	1

x2





3.0x20 G3	R L Q5	L-348 N1	3.5x13 W8
8	2 KPL	2	4

