

FLA.603




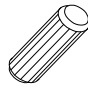

FLA.301

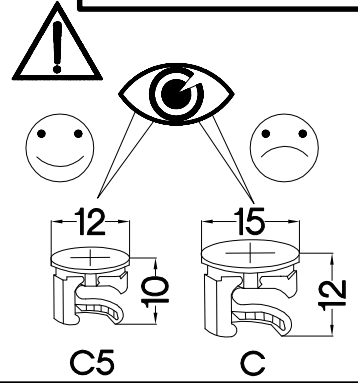
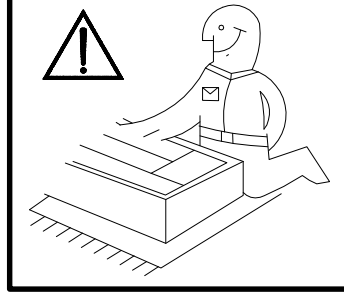
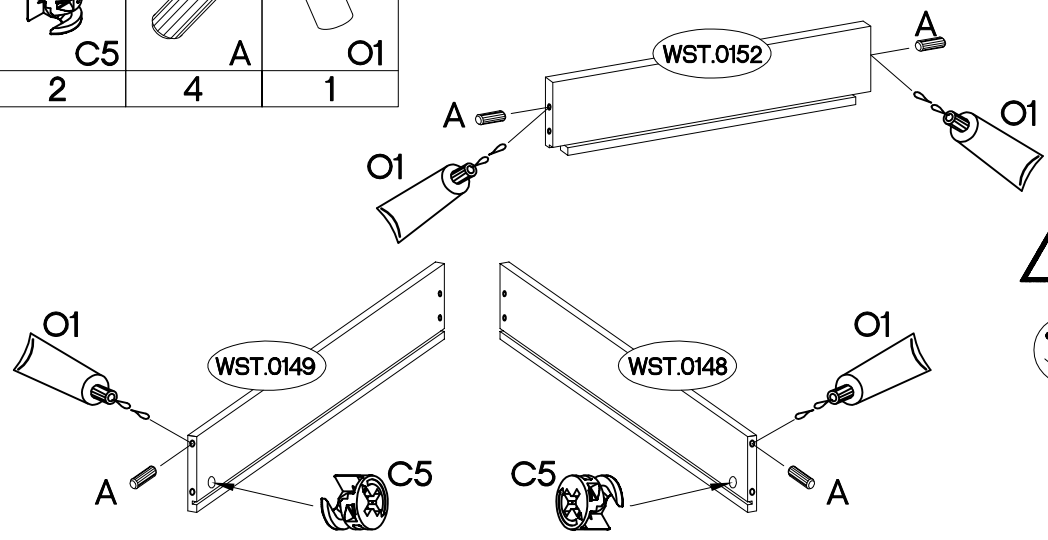
1/2	FLA.101	702x480x16
	FLA.102	702x480x16
	FLA.208	1002x500x22
	FLA.209	1002x480x16
	FLA.301	475x443x16
	FLA.501	702x458x16
	FLA.601 x2	711x488x2.5
	FLA.603 x3	396x437x2.5
	FLA.903x3	428x95x16
	FLA.905	932x95x16

1/2	WST.0148	400x100x12
	WST.0149	400x100x12
	WST.0150 x2	400x140x12
	WST.0151 x2	400x140x12
	WST.0152	427x100x12
	WST.0144 x2	427x140x12

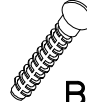

2/2	FLA.701	713x496x16
	FLA.702	140x496x16
	FLA.703 x2	283x496x16

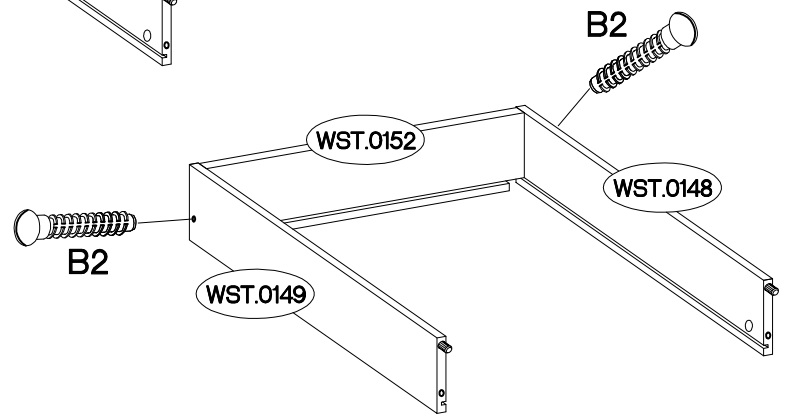
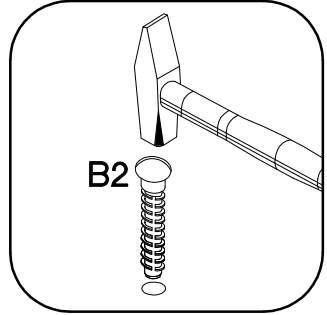
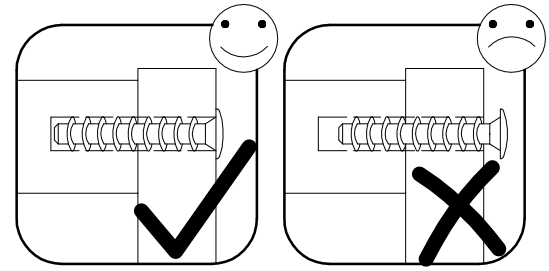
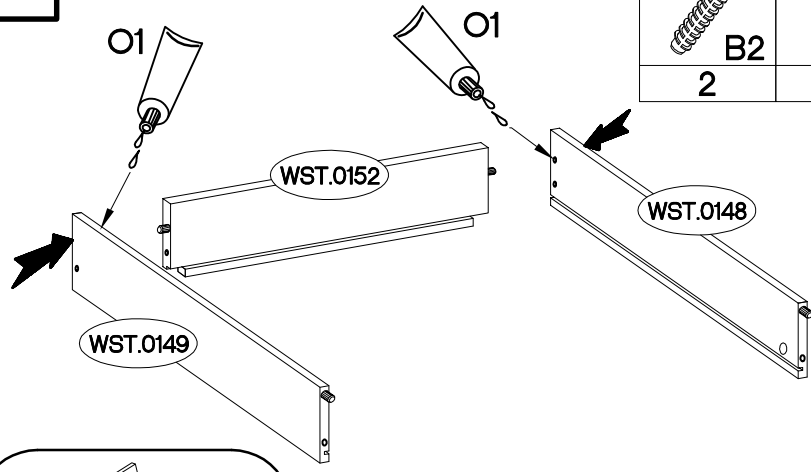
1

<p>#12/10mm</p>  <p>C5</p>	<p>#8x30mm</p>  <p>A</p>	 <p>O1</p>
2	4	1




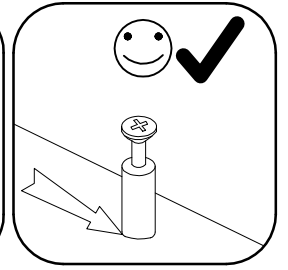
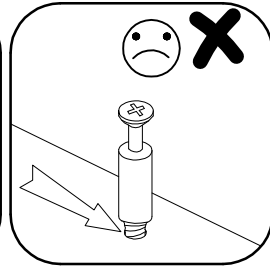
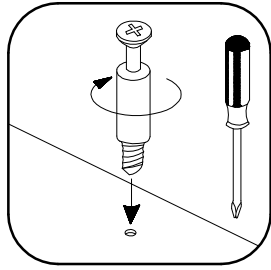
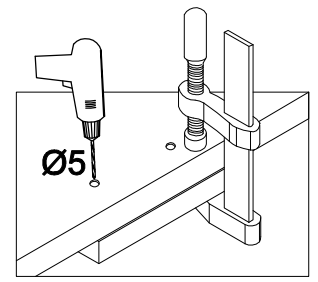
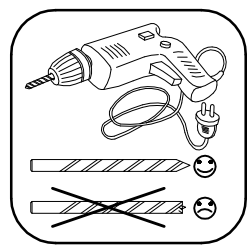
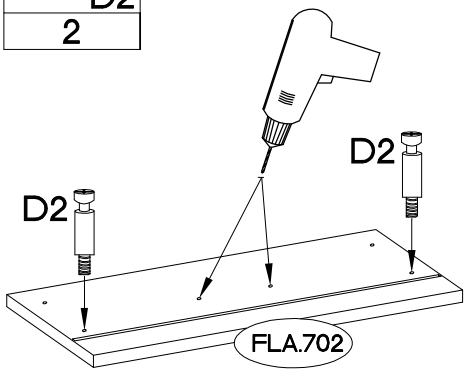
2

<p>#6x42mm</p>  <p>B2</p>	 <p>O1</p>
2	1

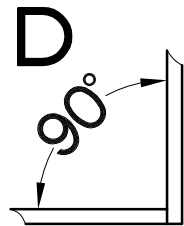
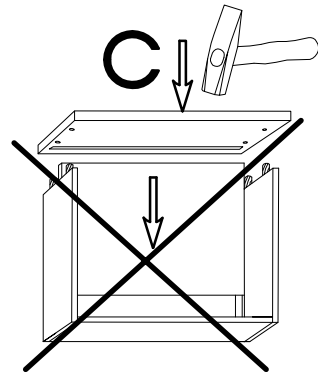
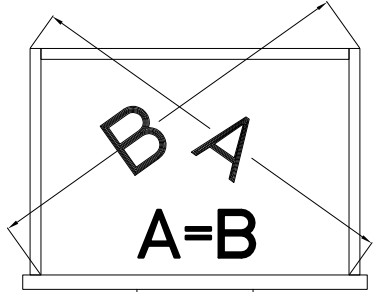
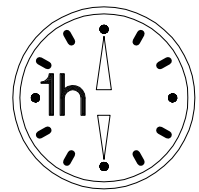
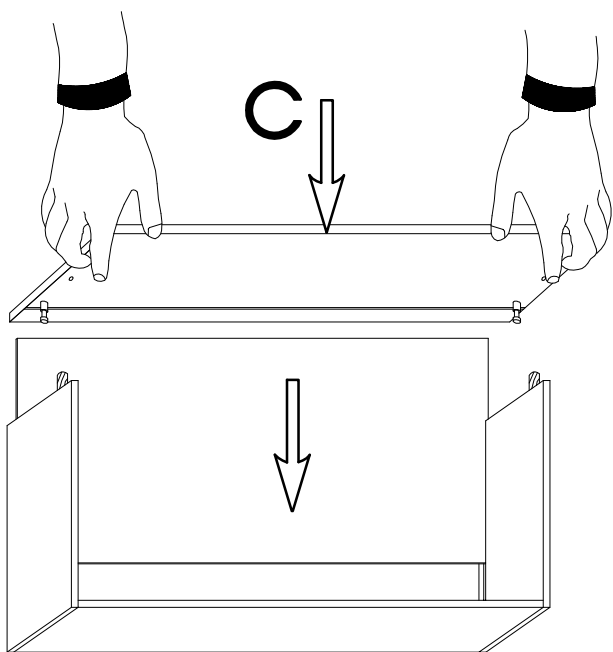
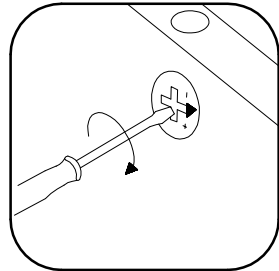
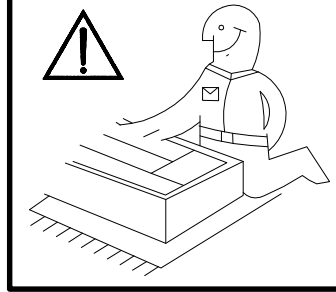
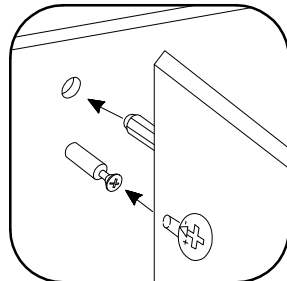
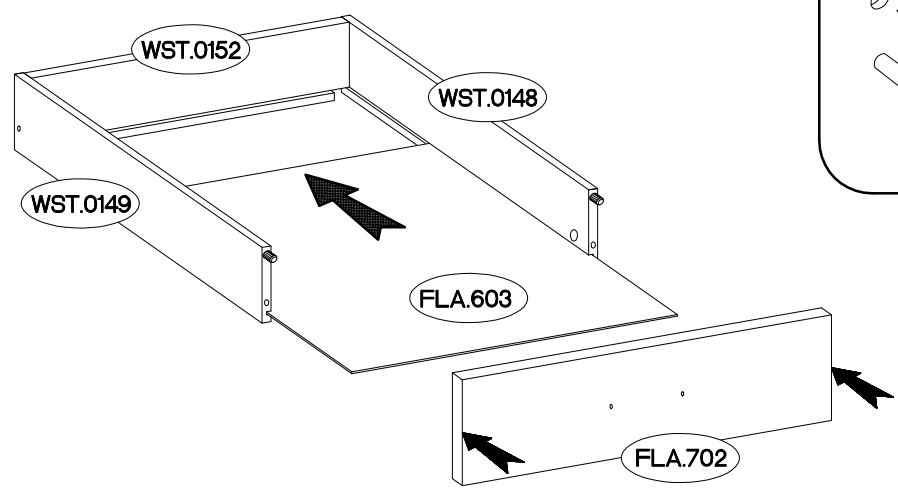


3

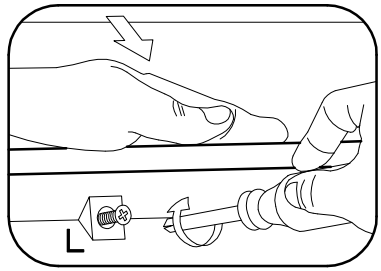
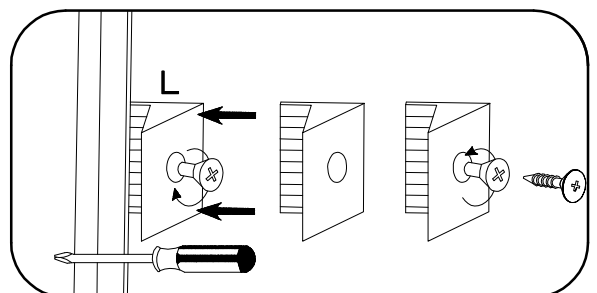
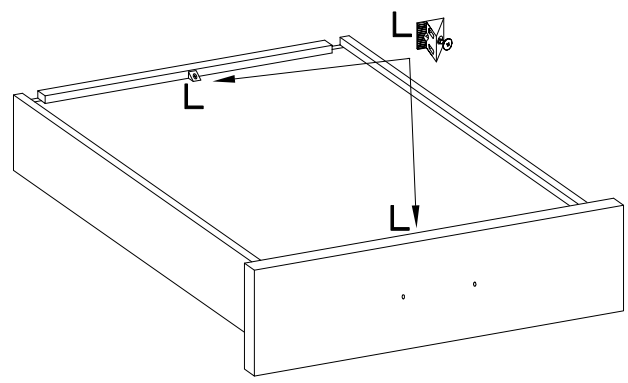
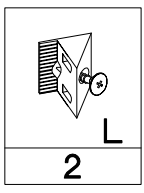
<p>L=20mm</p>  <p>D2</p>
2




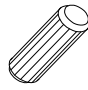

4



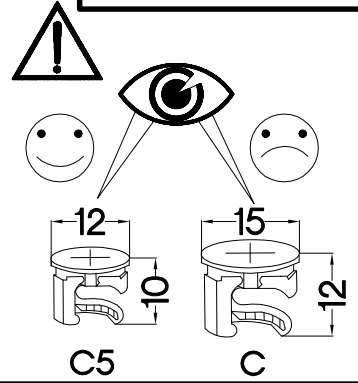
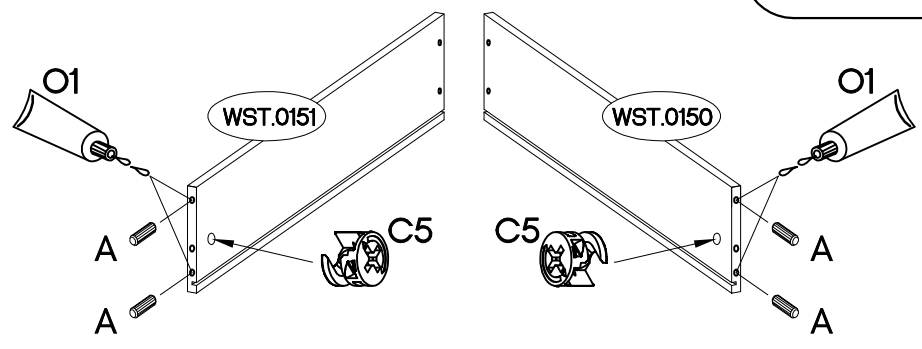
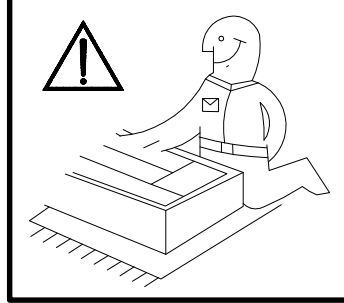
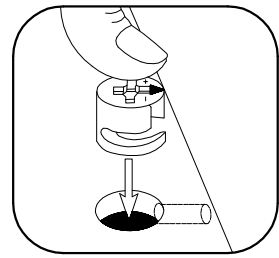
5




6

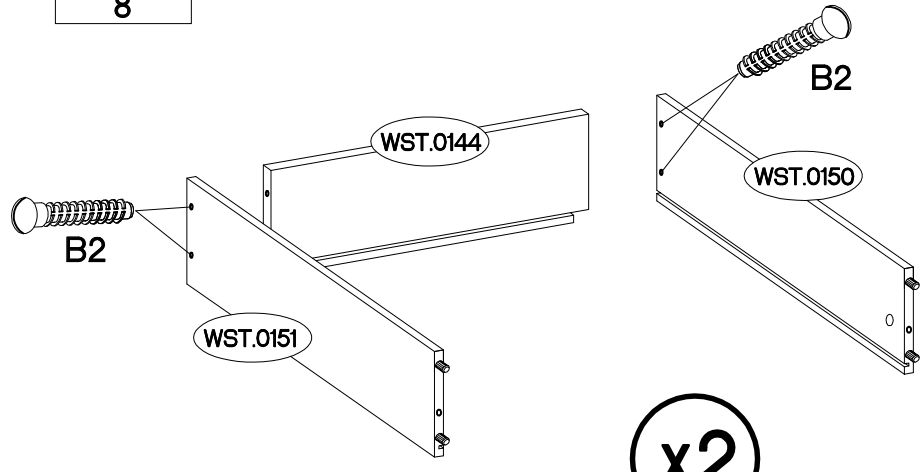
$\pm 12/10\text{mm}$  C5 4	$\pm 8 \times 30\text{mm}$  A 8	 O1 1
---	--	---

x2

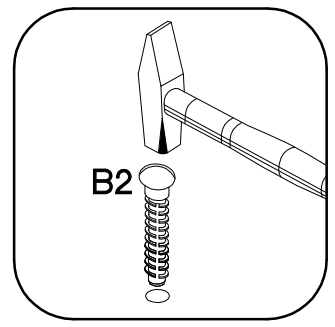
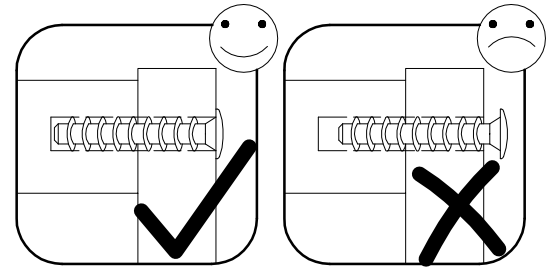


7


$\pm 6 \times 42\text{mm}$  B2 8
--



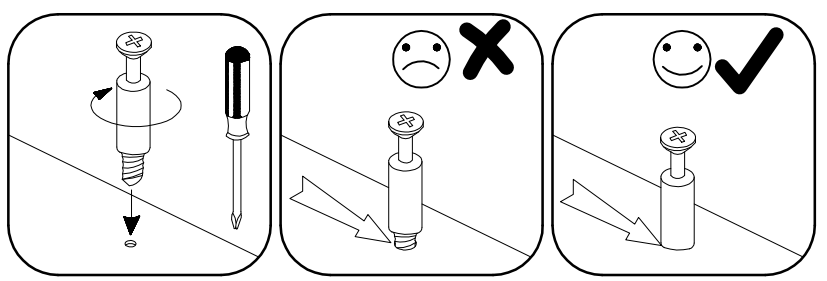
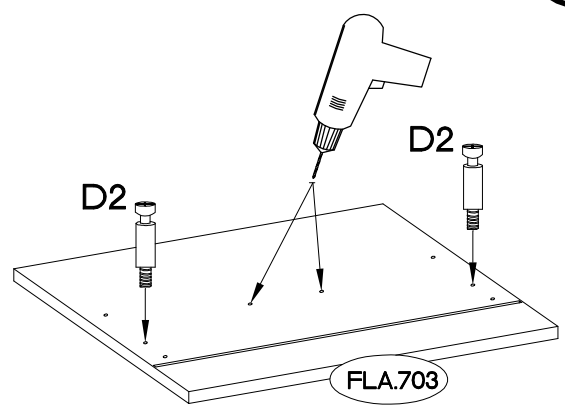
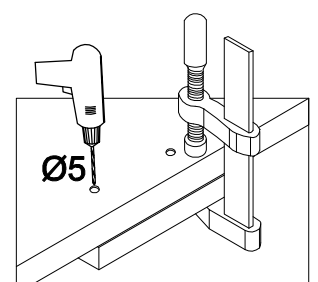
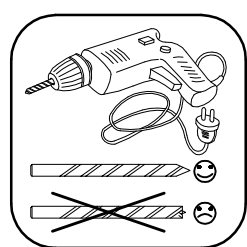
x2



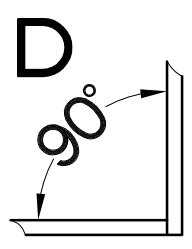
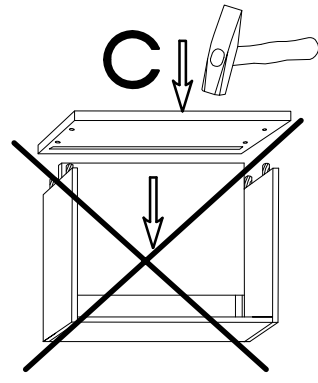
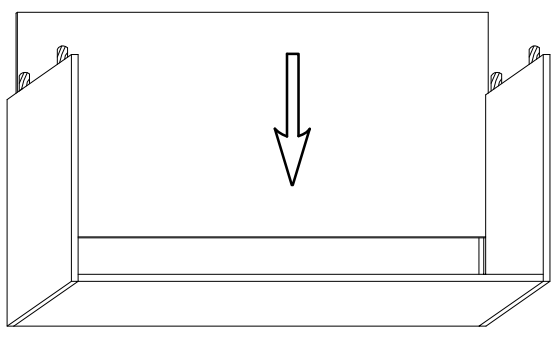
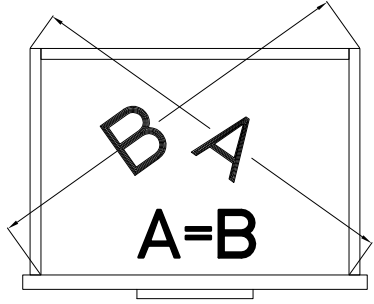
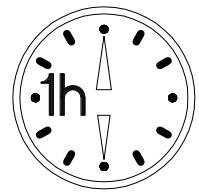
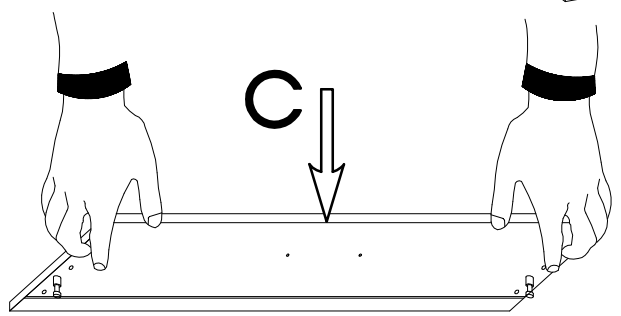
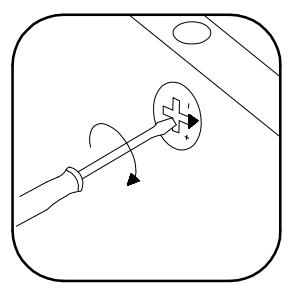
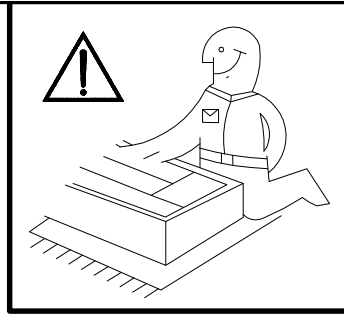
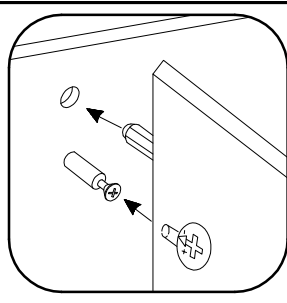
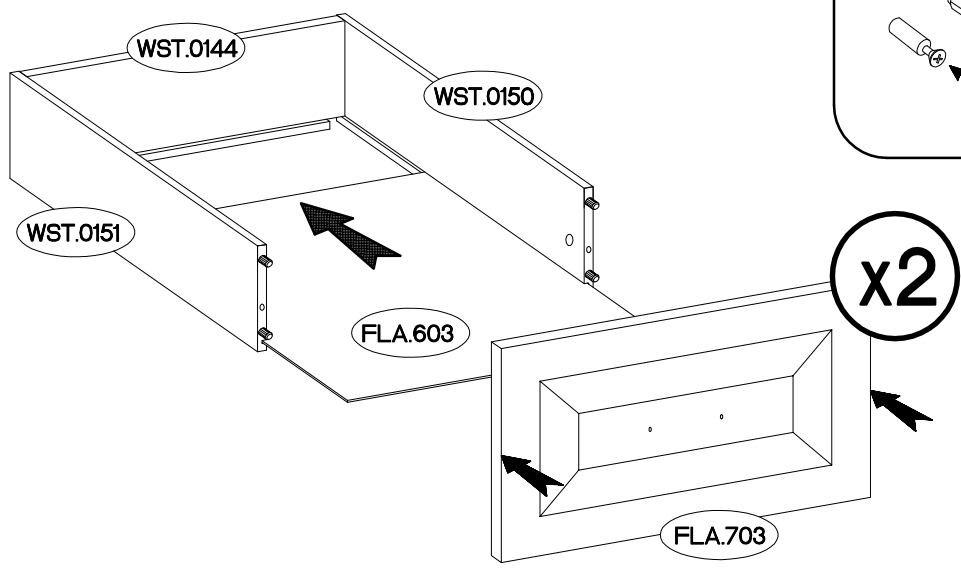
8

$L=20\text{mm}$  D2 4

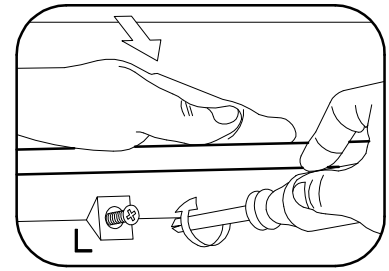
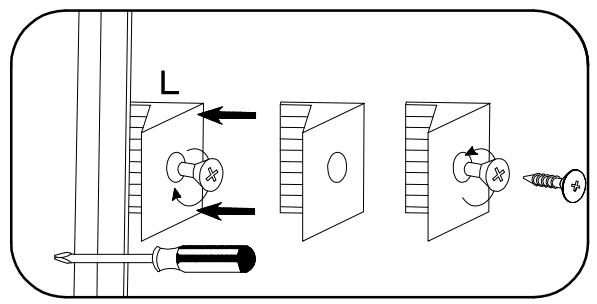
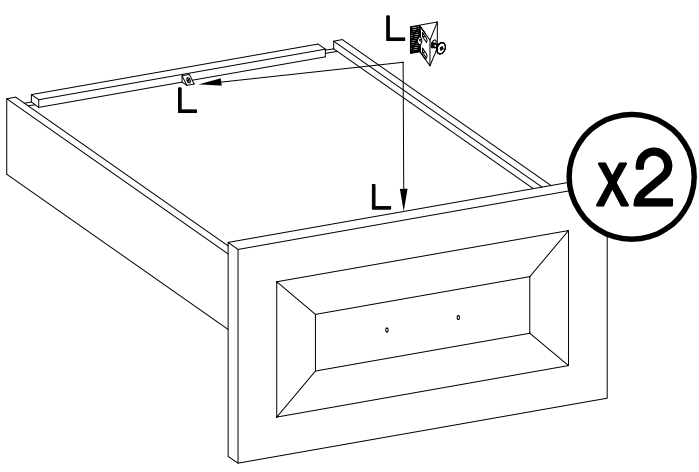
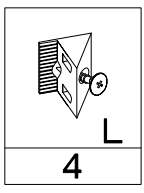
x2

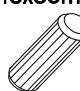

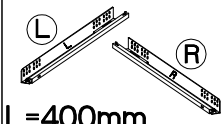


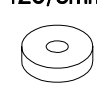


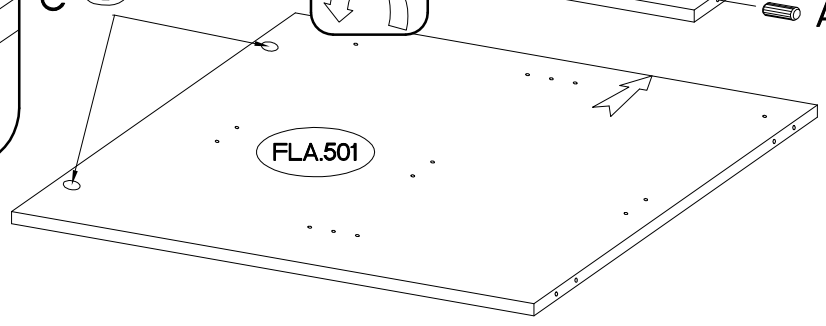
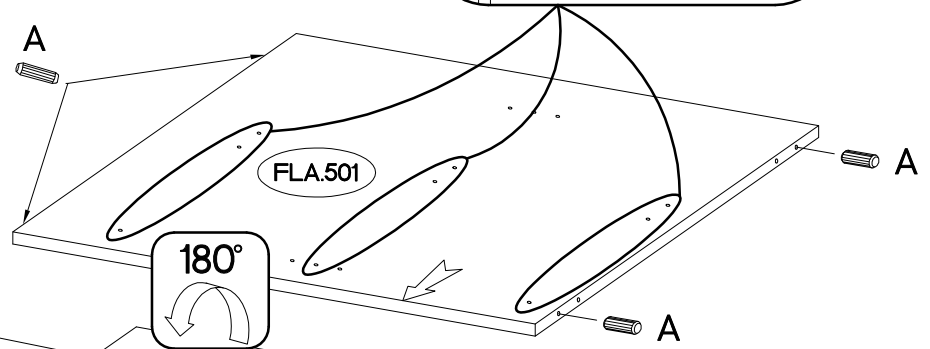
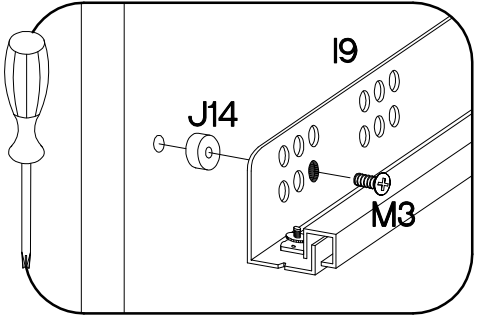
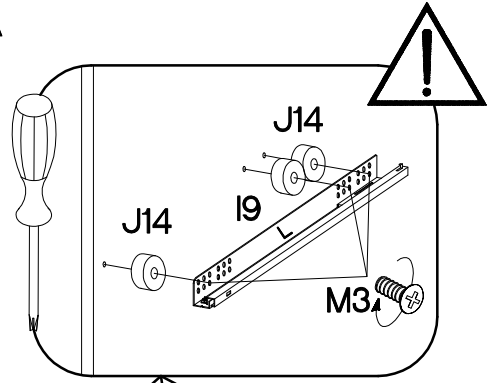
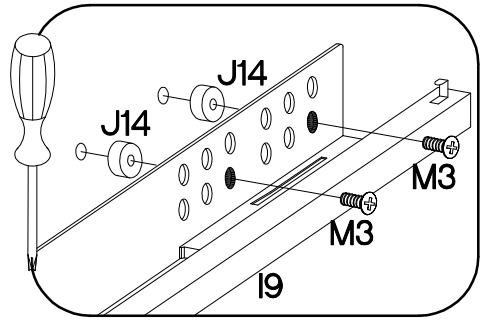
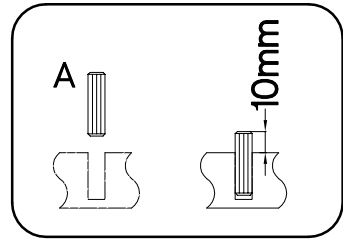
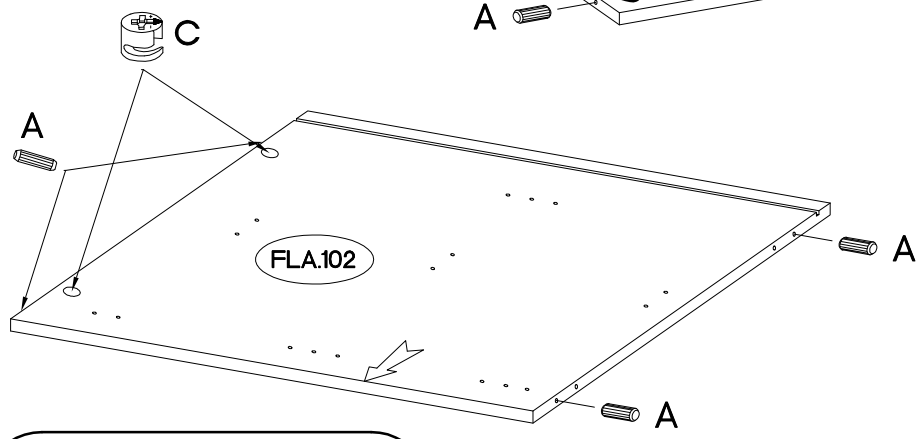
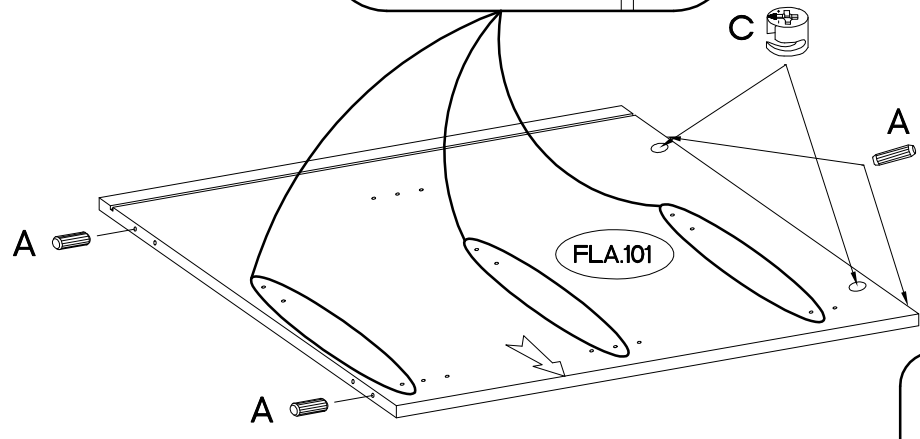
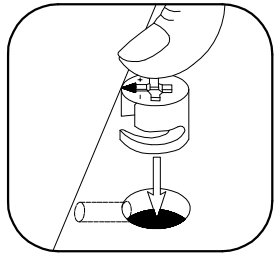
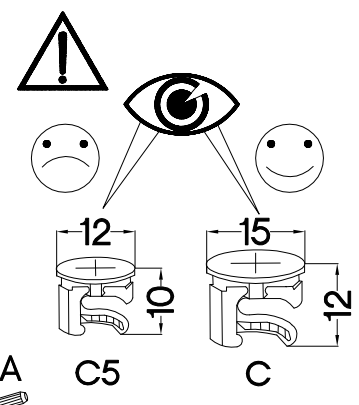
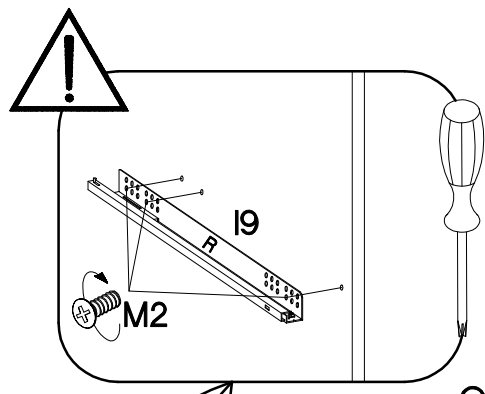
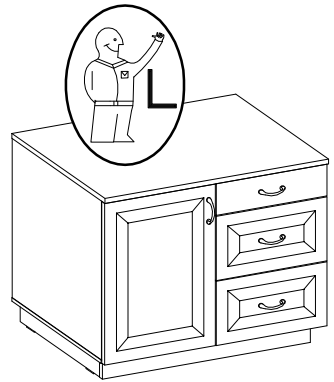
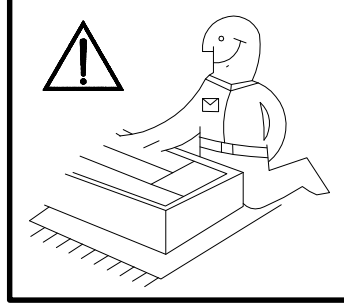
9



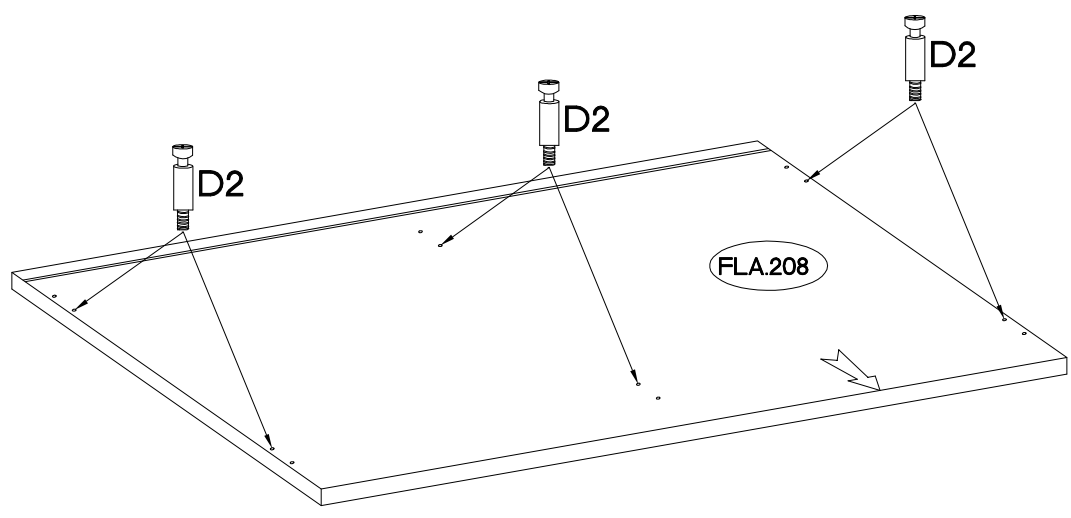
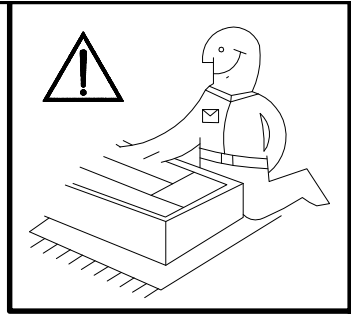
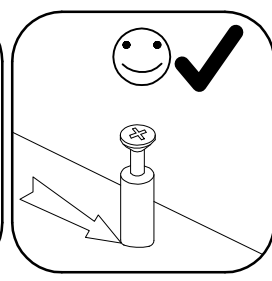
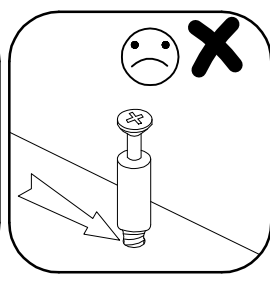
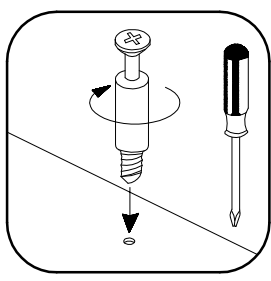
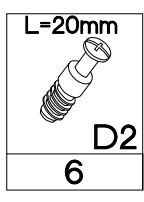
10



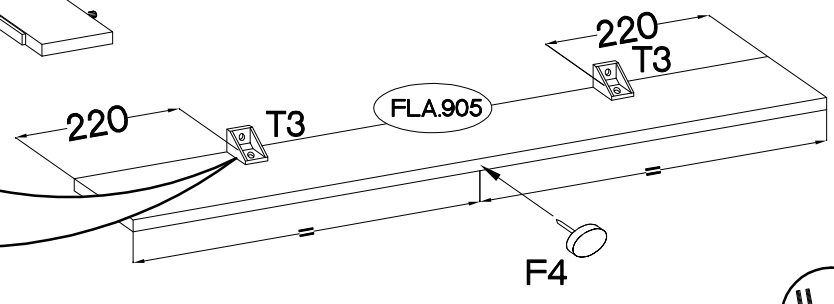
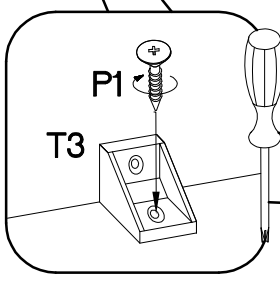
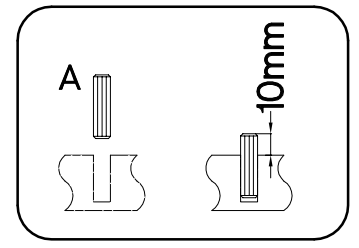
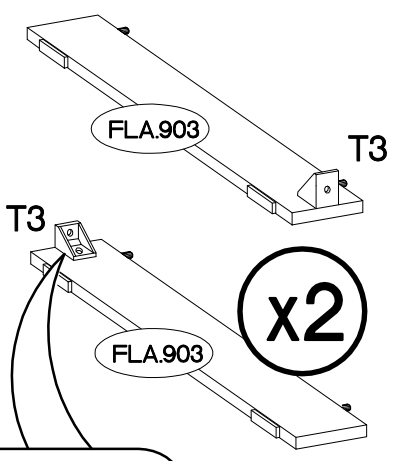
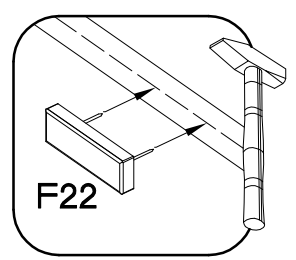
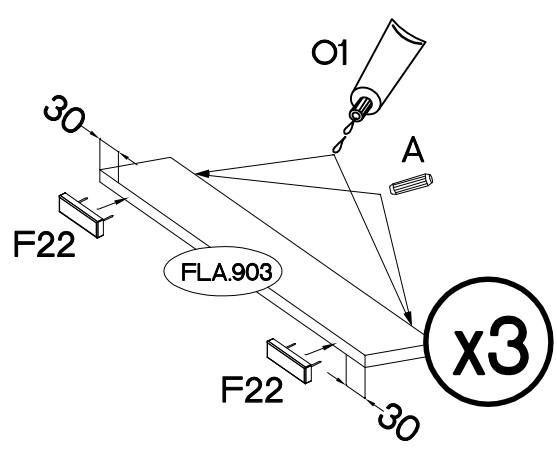
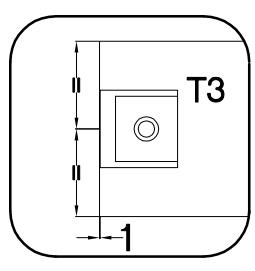
$\pm 8 \times 30 \text{mm}$  A 12	$\pm 15/12 \text{mm}$  C 6	$L=400 \text{mm}$  I9 3	$\pm 6.3 \times 13 \text{mm}$  M2 9	$\pm 6.3 \times 20 \text{mm}$  M3 9	$\pm 20/8 \text{mm}$  J14 9
--	---	--	--	--	---



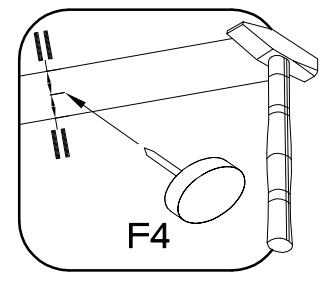
12



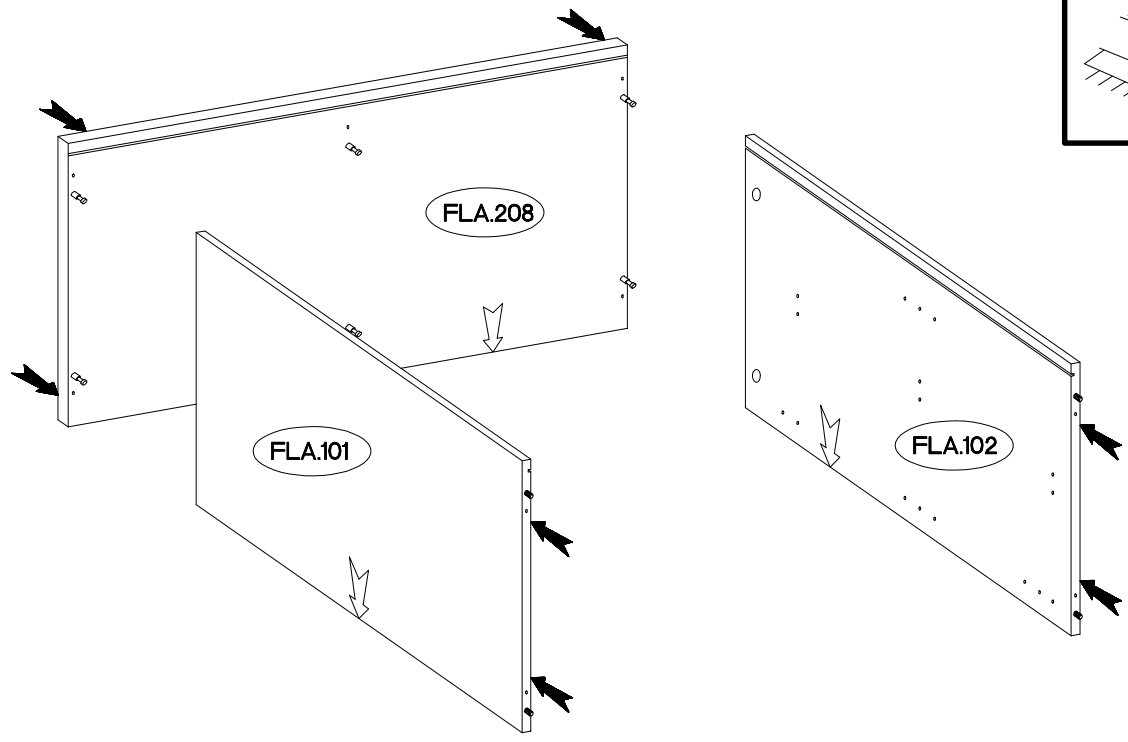
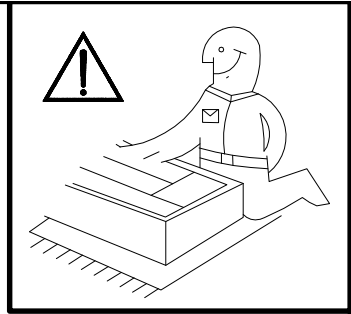
13



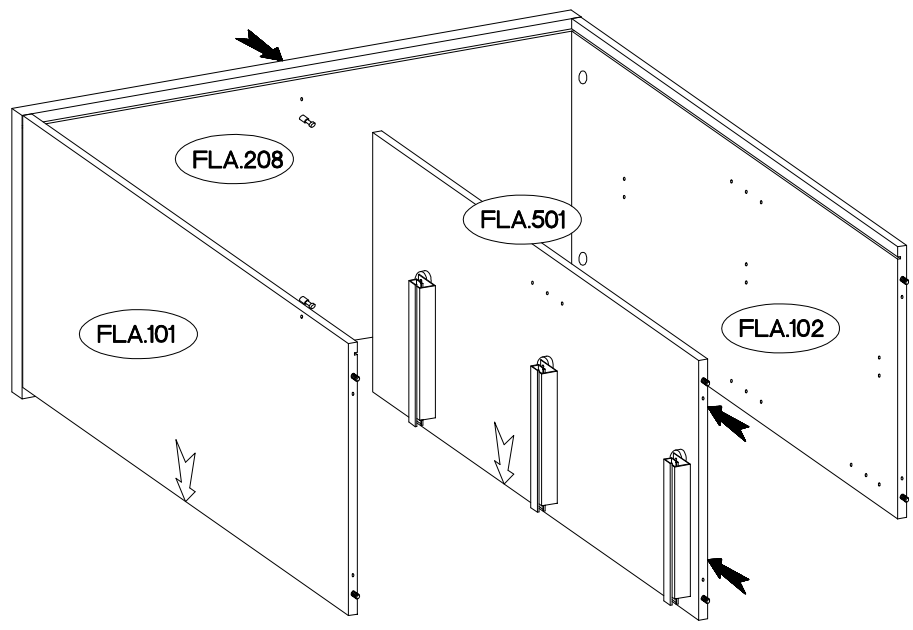
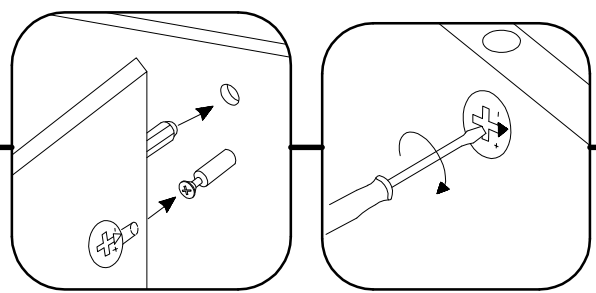
	$\pm 4.0 \times 16 \text{mm}$	$6.5 \times 48 \times 16$	$\pm 15 \times 5 \text{mm}$		$\pm 8 \times 30 \text{mm}$
T3	P1	F22	F4	O1	A
5	5	6	1	1	6

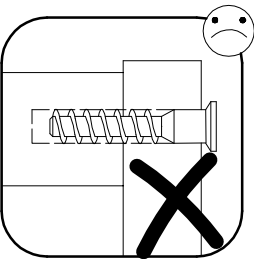
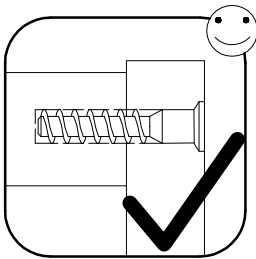
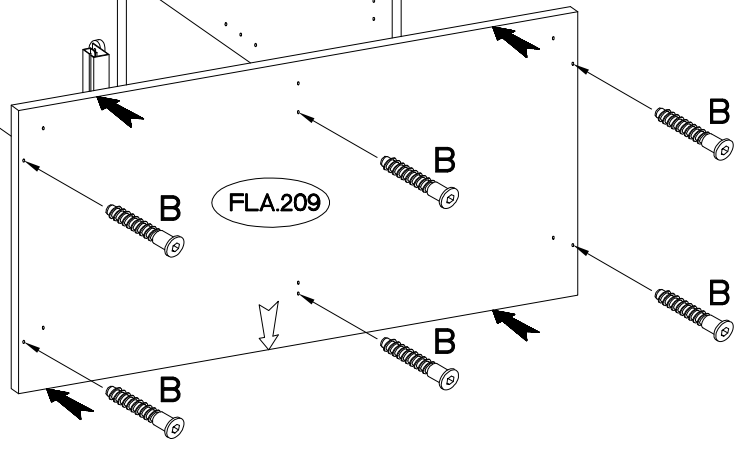
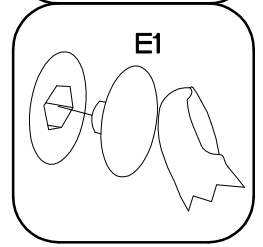
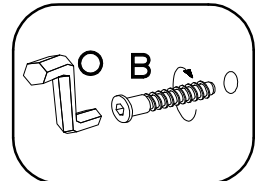
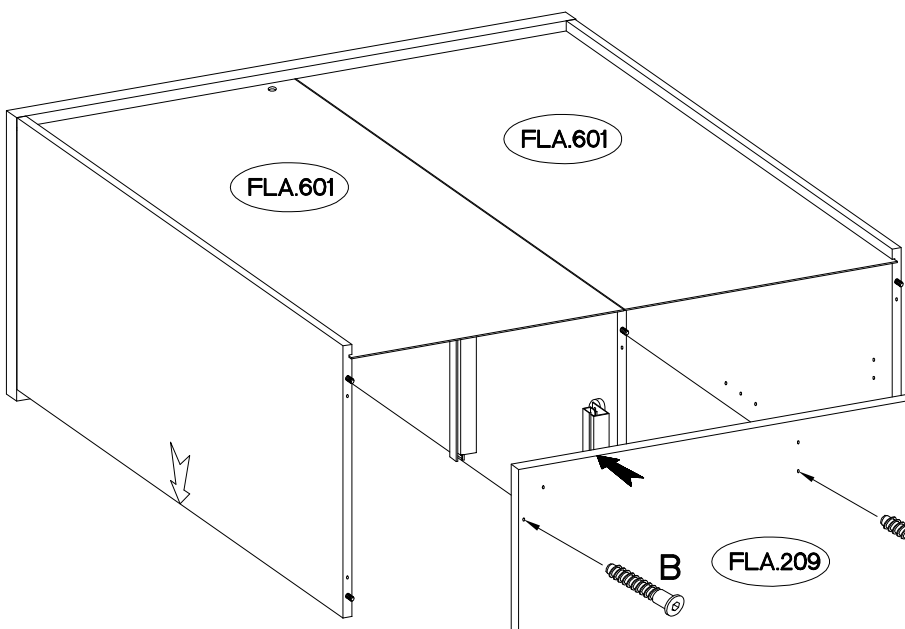
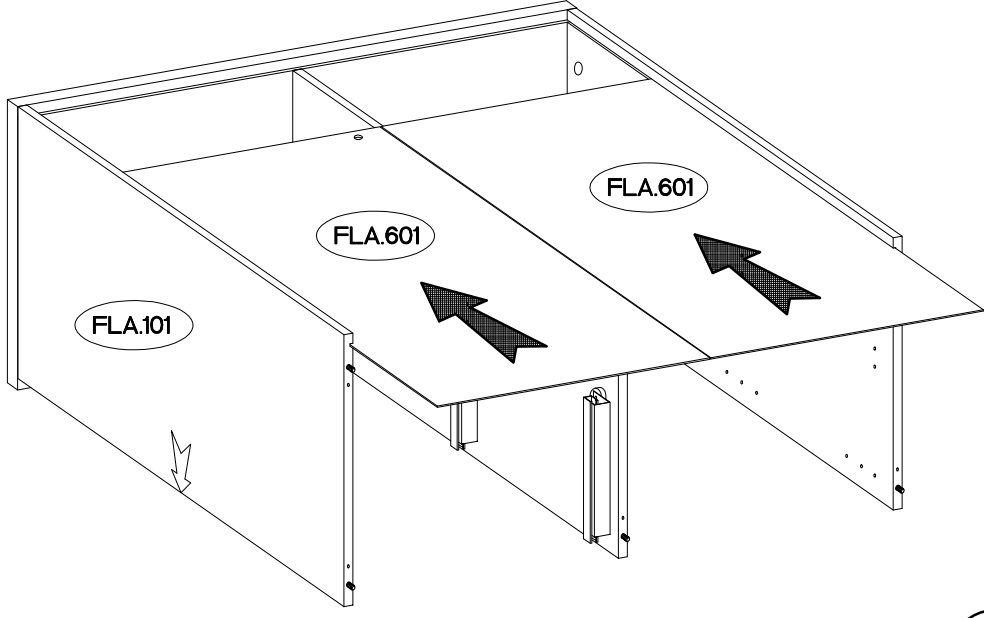
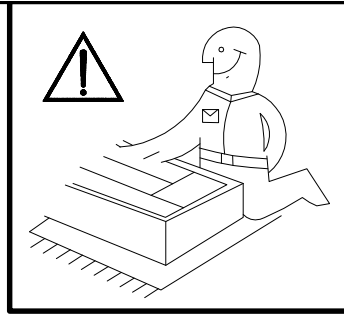
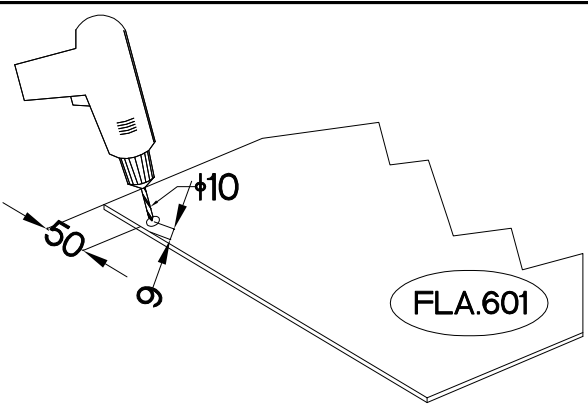


14



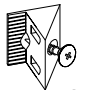

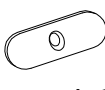
15

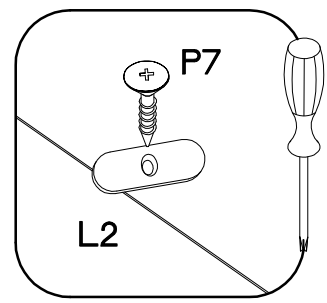
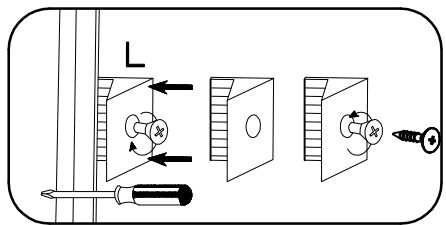
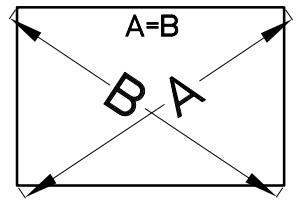
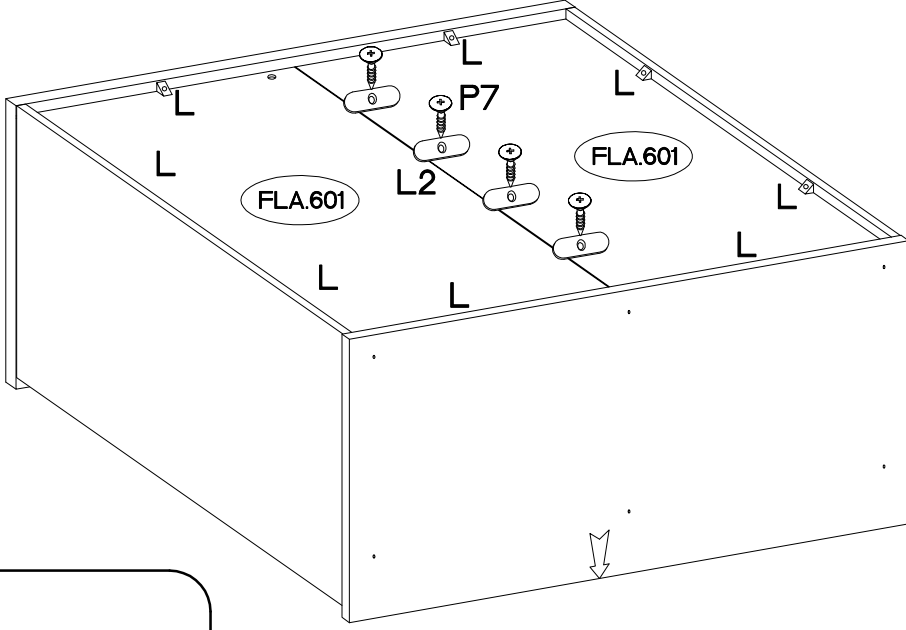
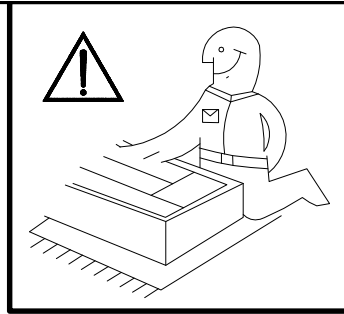





6,4 x 50mm		
6	1	4

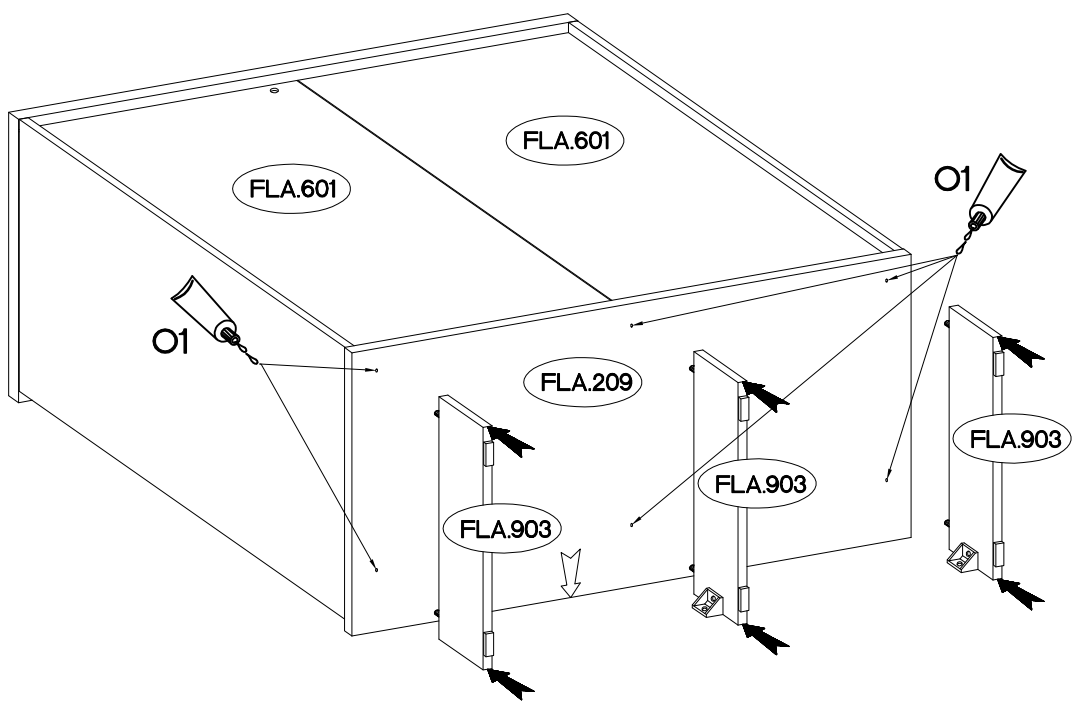
17

 L	 P7 +3.0x20mm	 L2
8	4	4

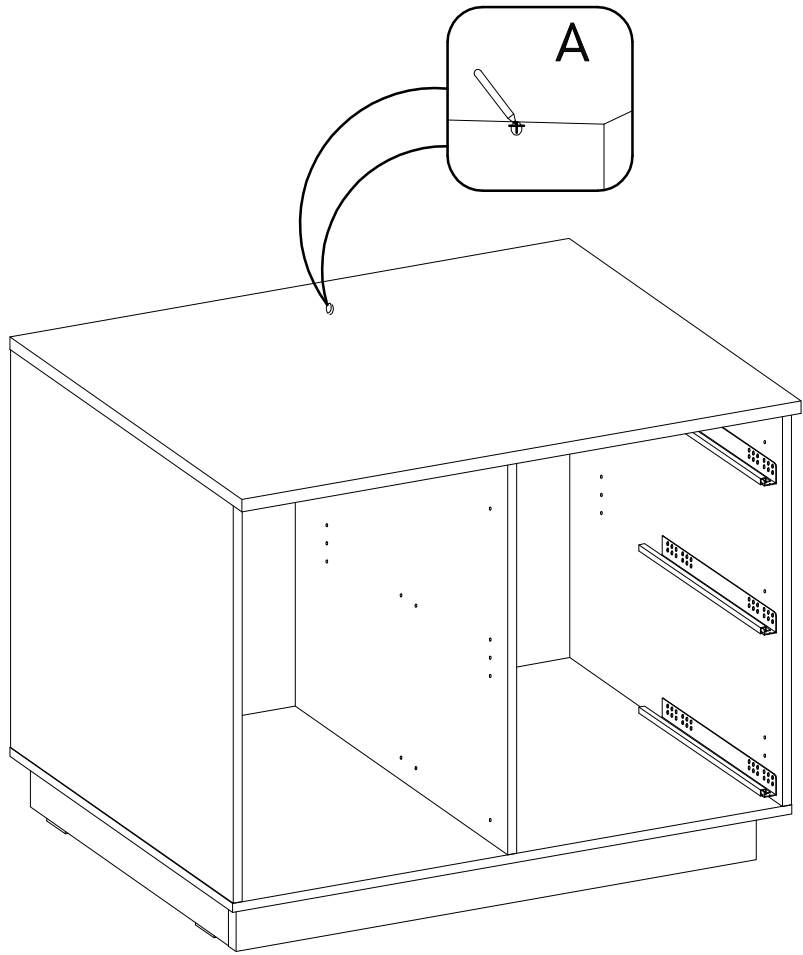
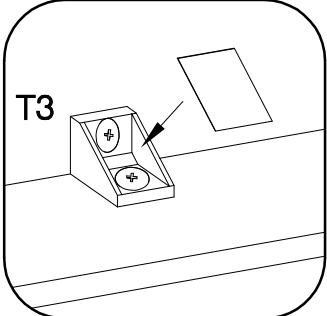
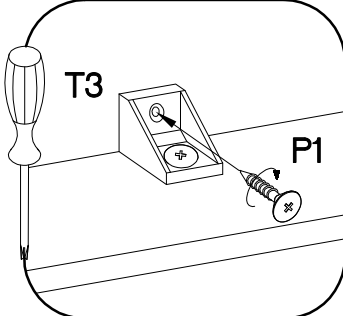
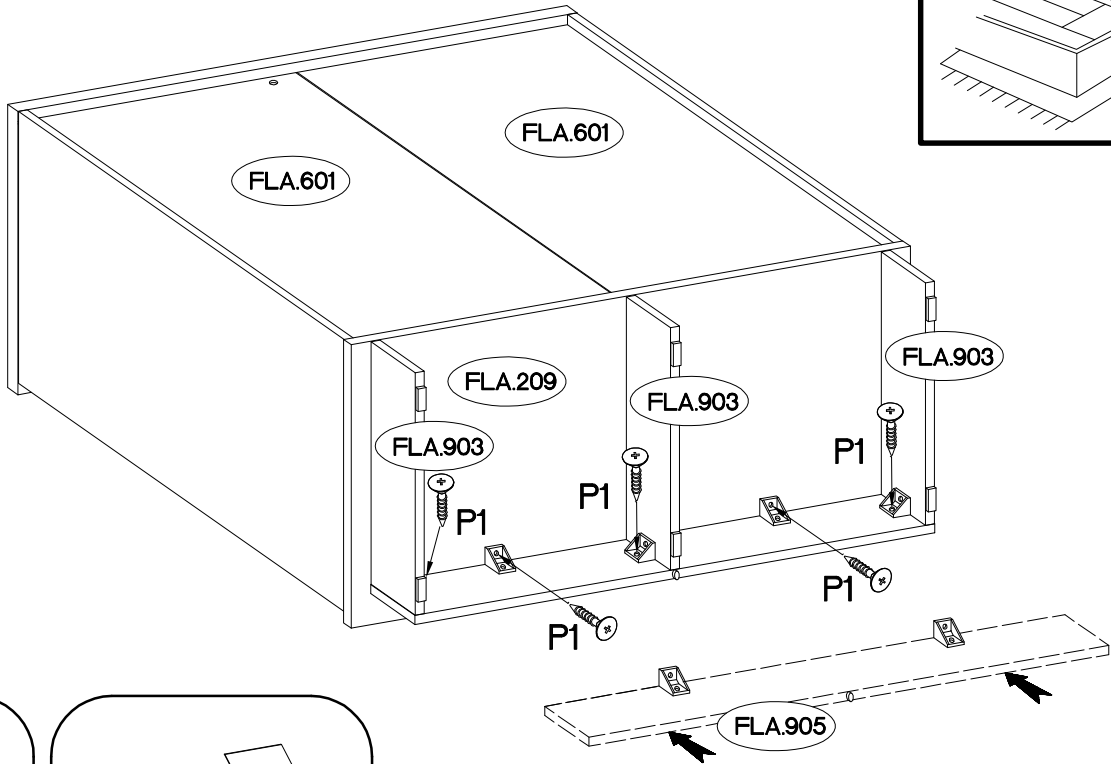
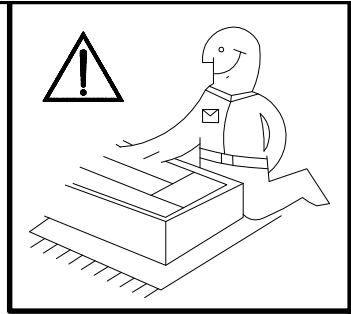


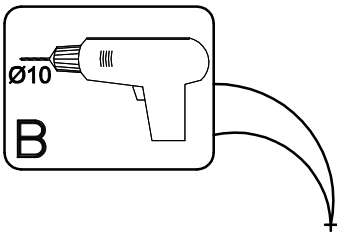
18

 O1
1

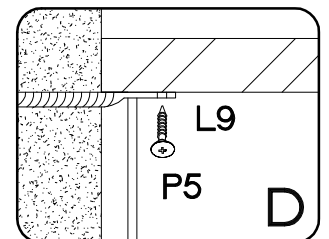
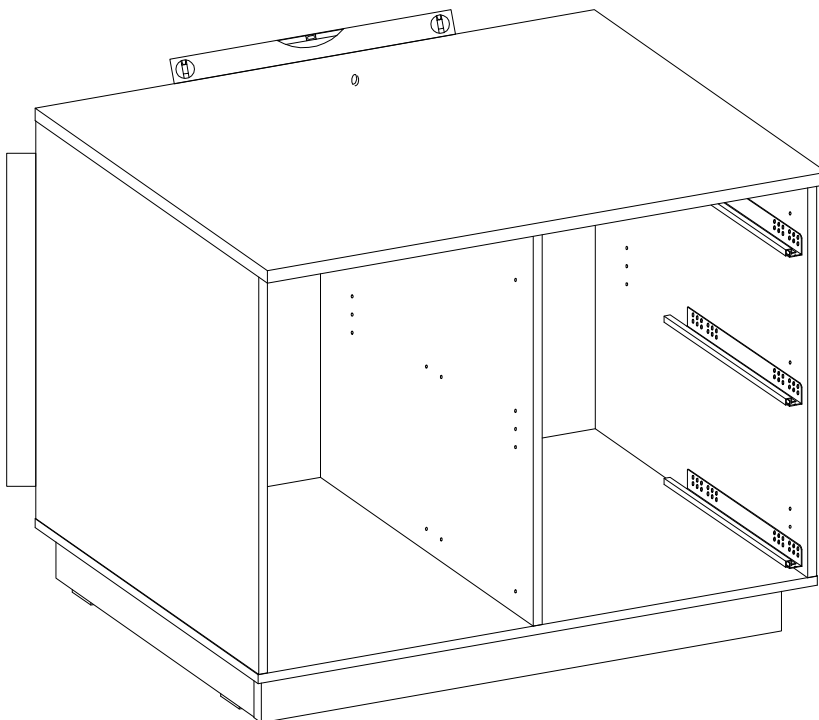
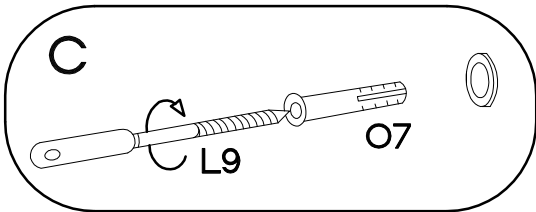
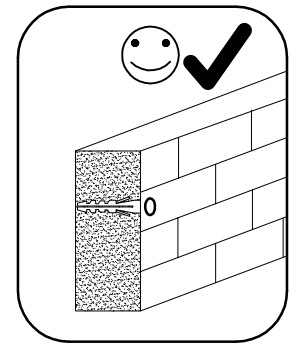
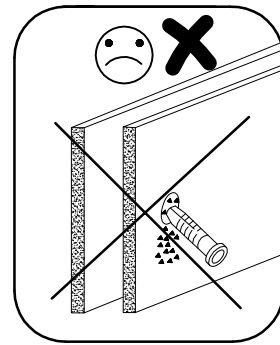
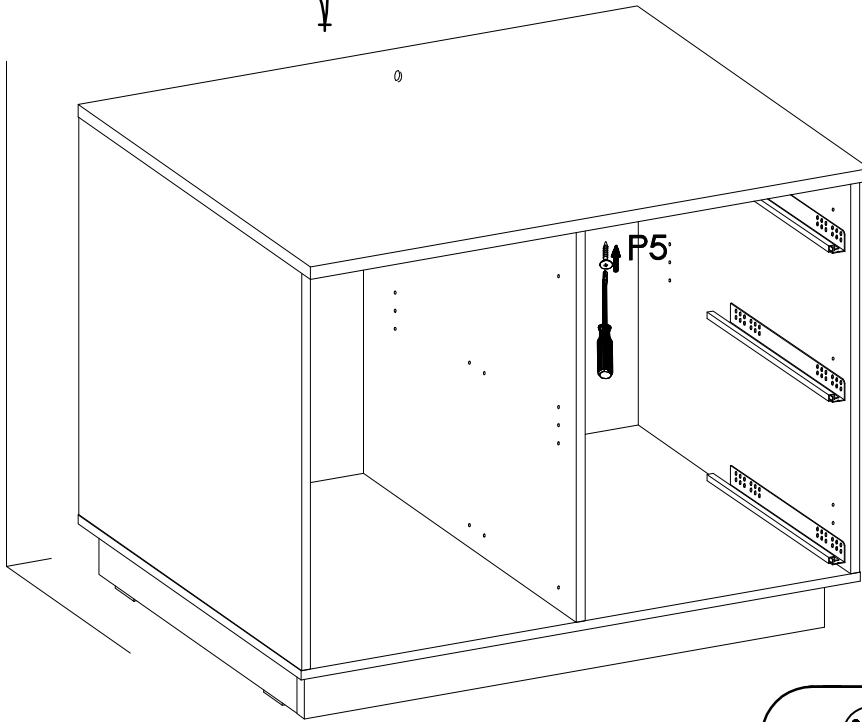


4.0x16mm
P1
5

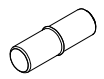



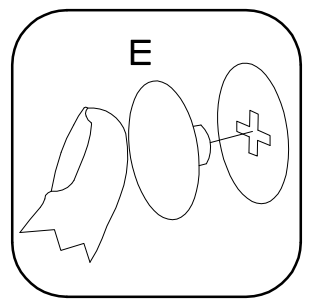
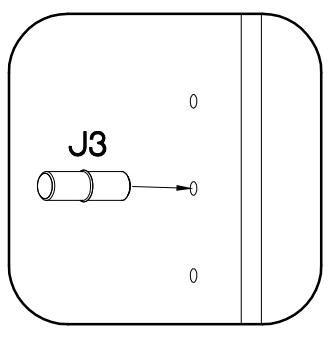
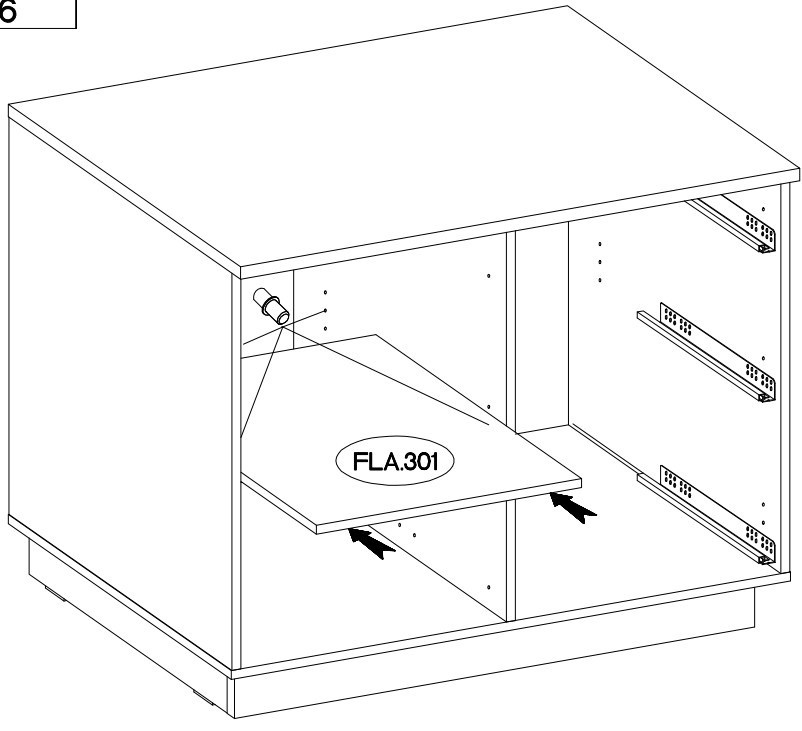


$\pm 10 \times 50 \text{mm}$ O7 1	$\pm 3.5 \times 13 \text{mm}$ L9 1	$\pm 3.5 \times 13 \text{mm}$ P5 1
--	---	---

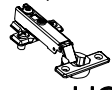



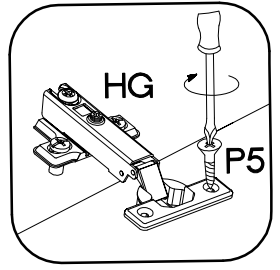
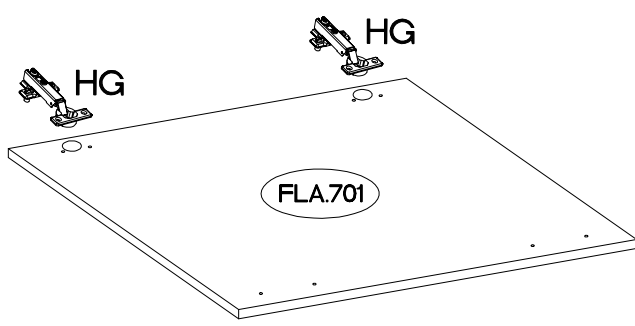
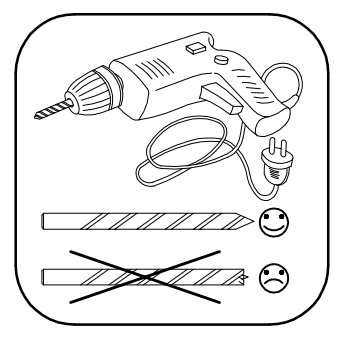
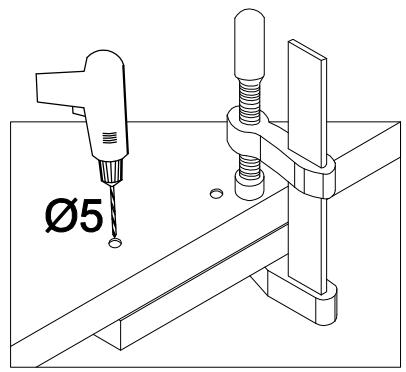
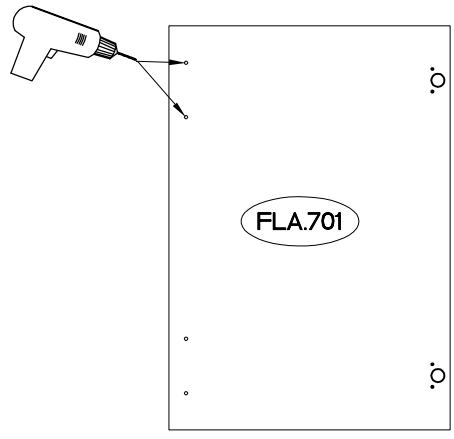
21

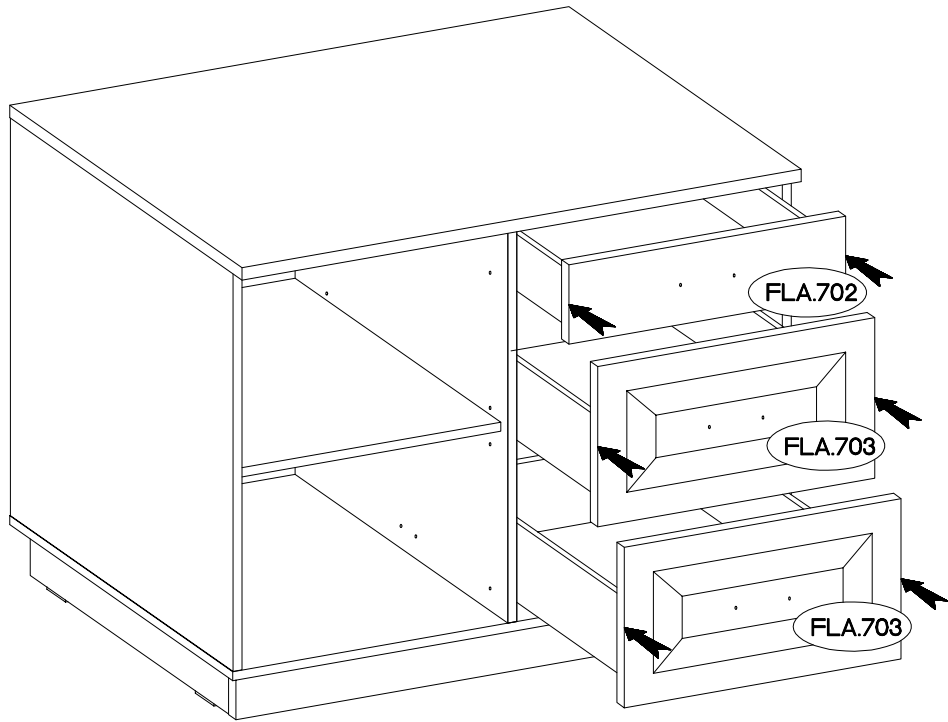
±5/16mm		
	J3	E
4		6



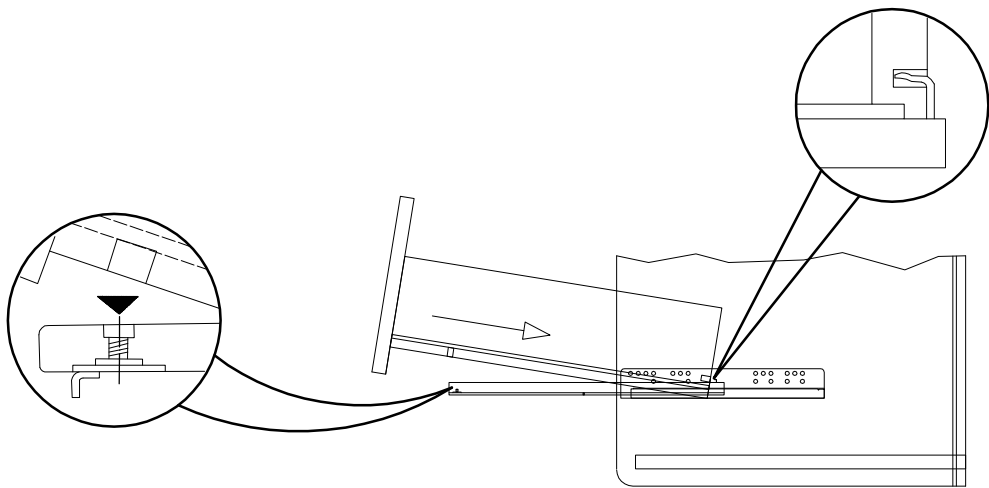
22

±35/0mm	±3.5x13mm
	
HG	P5
2	4

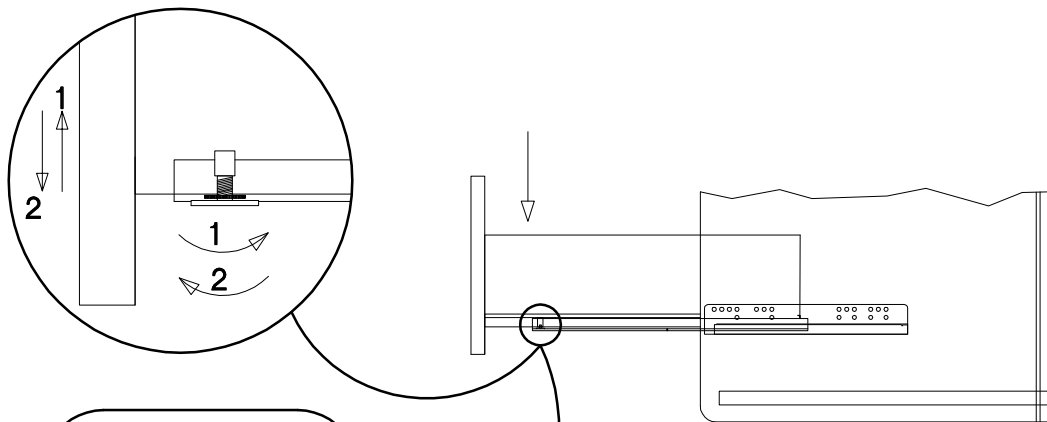




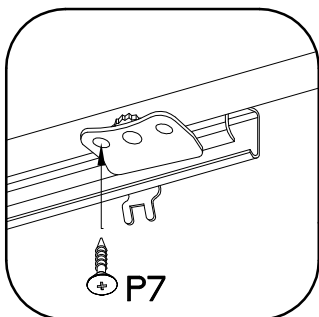
1.





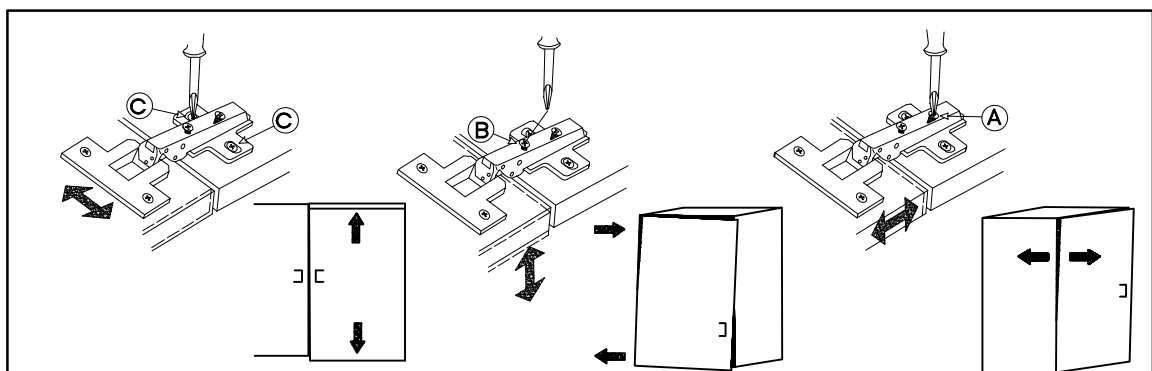
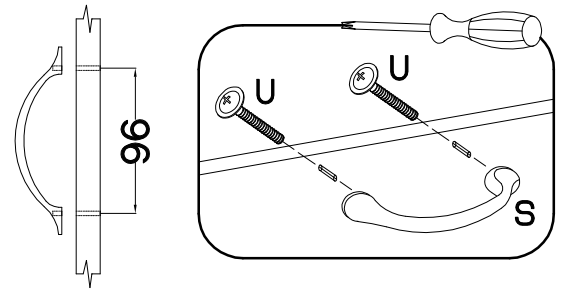
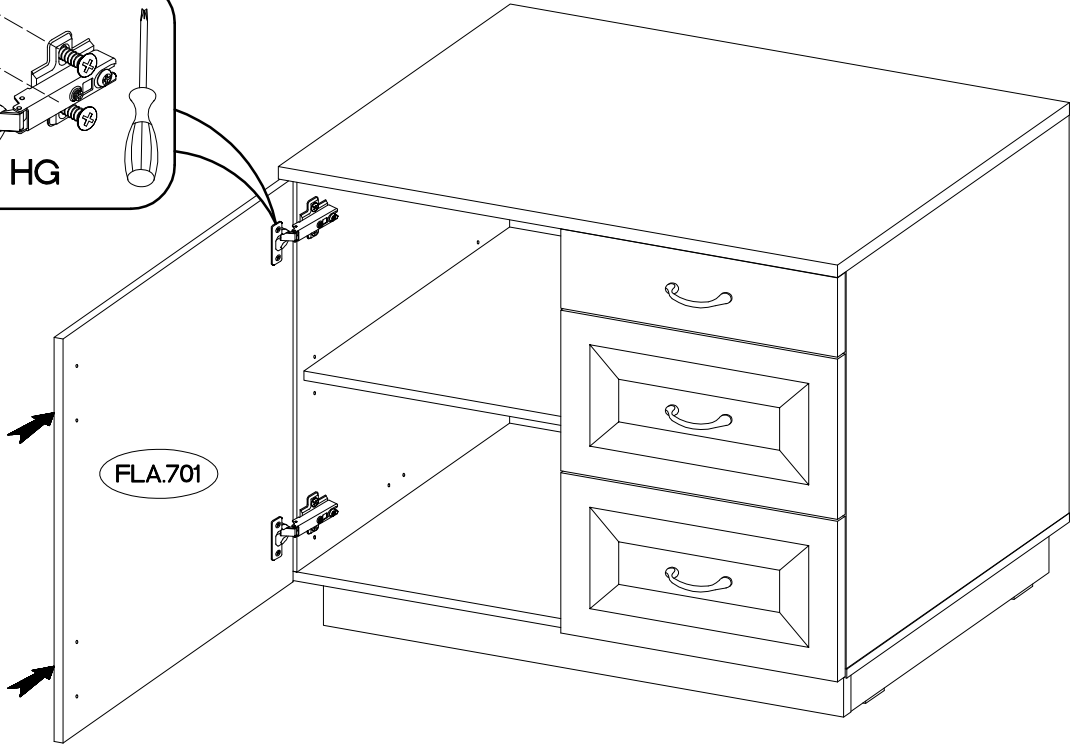
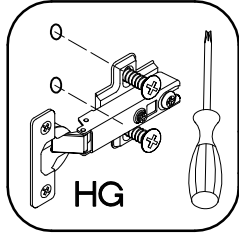
2.

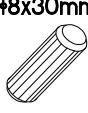

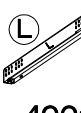



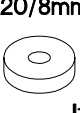


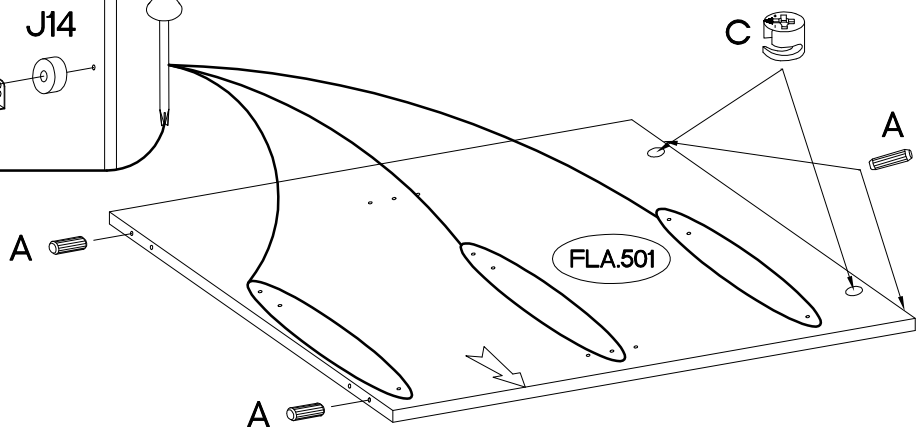
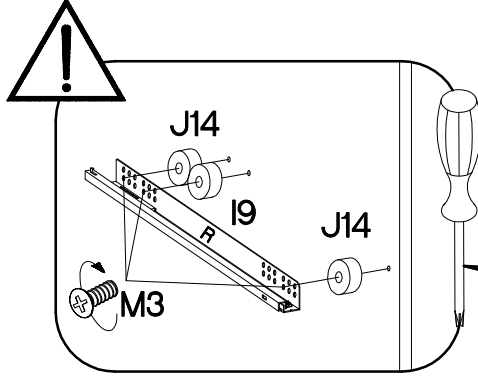
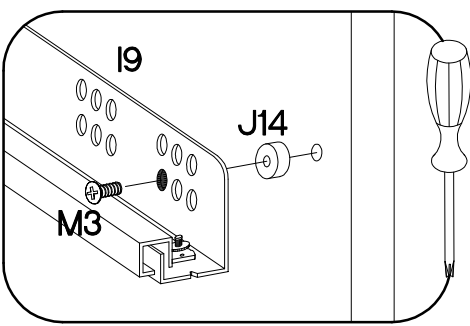
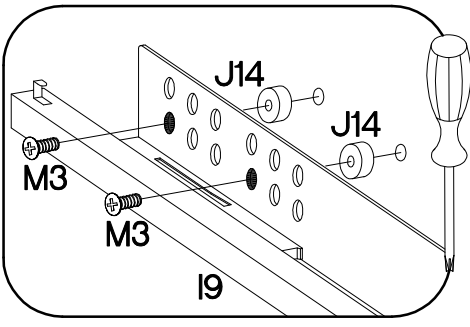
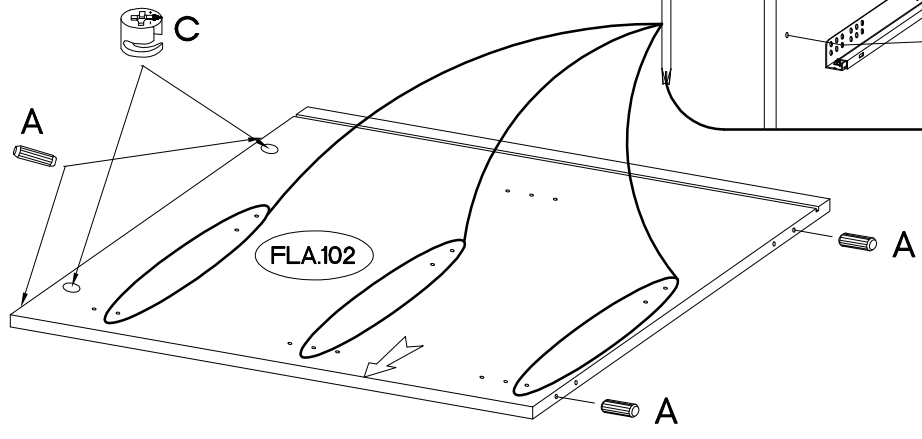
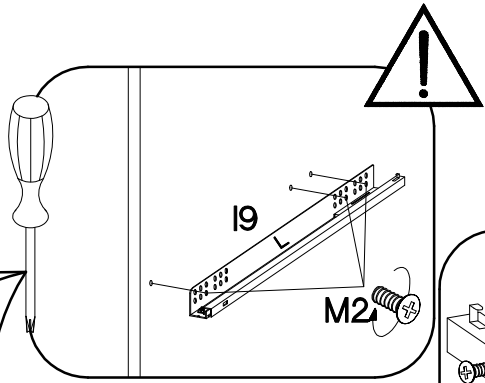
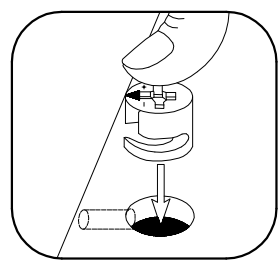
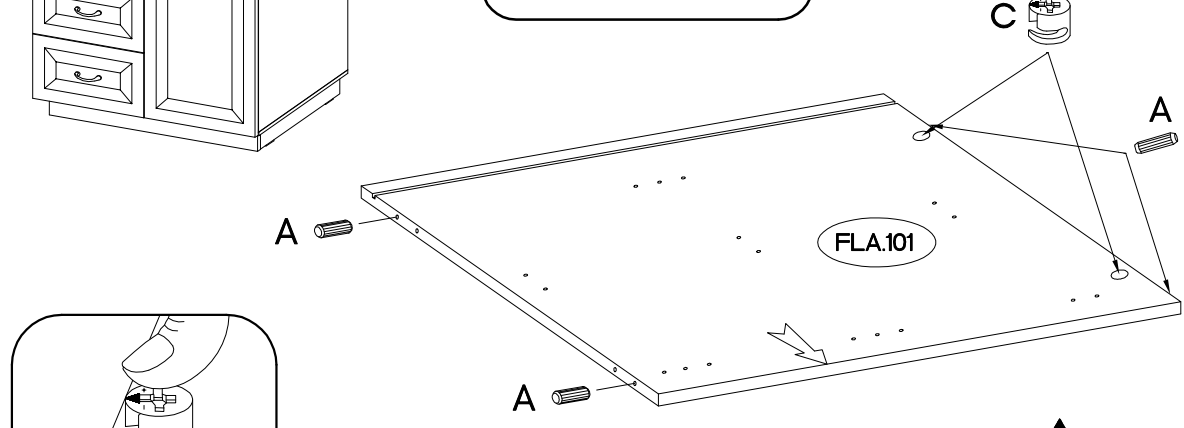
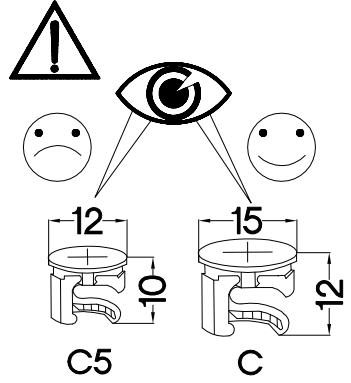
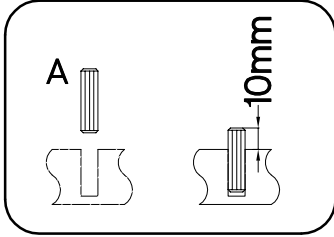
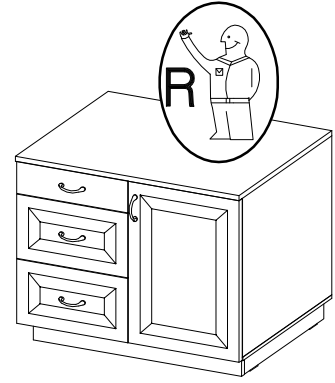
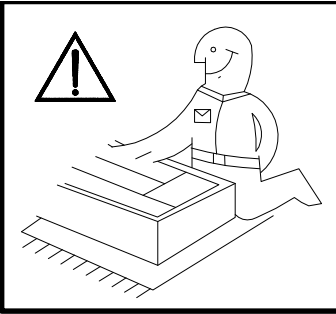
3.



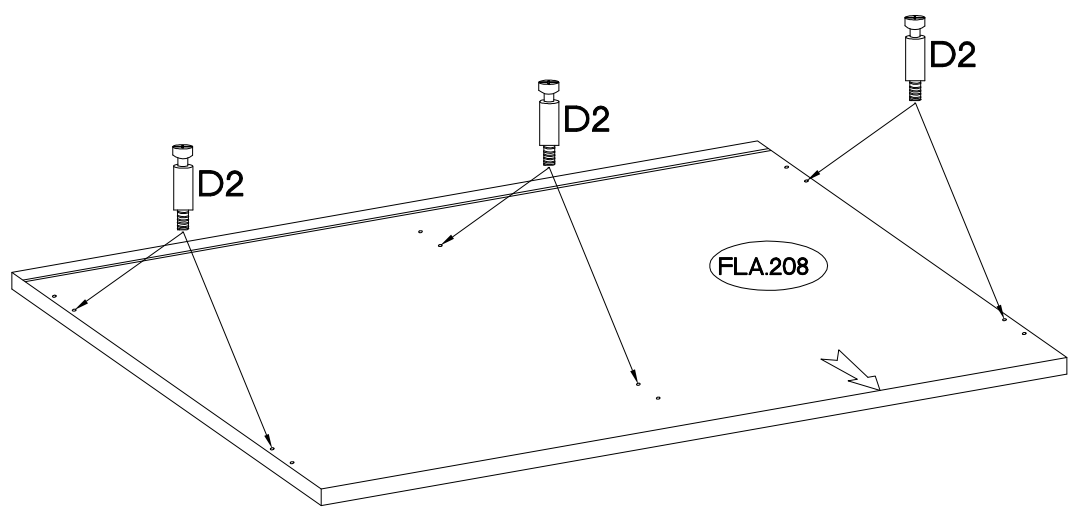
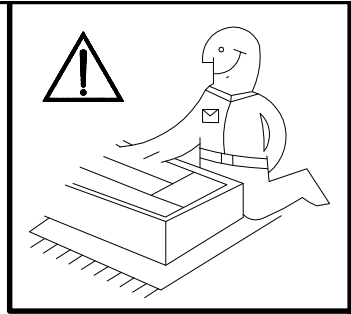
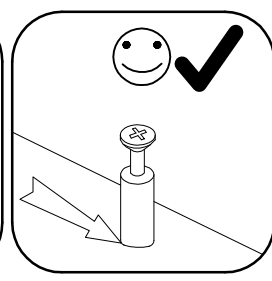
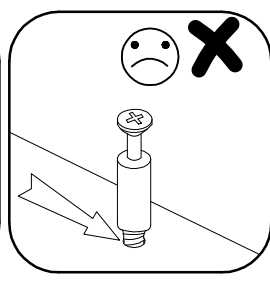
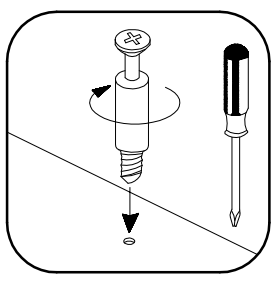
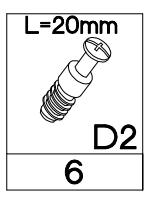
M4x22mm	
	
U	S
8	4



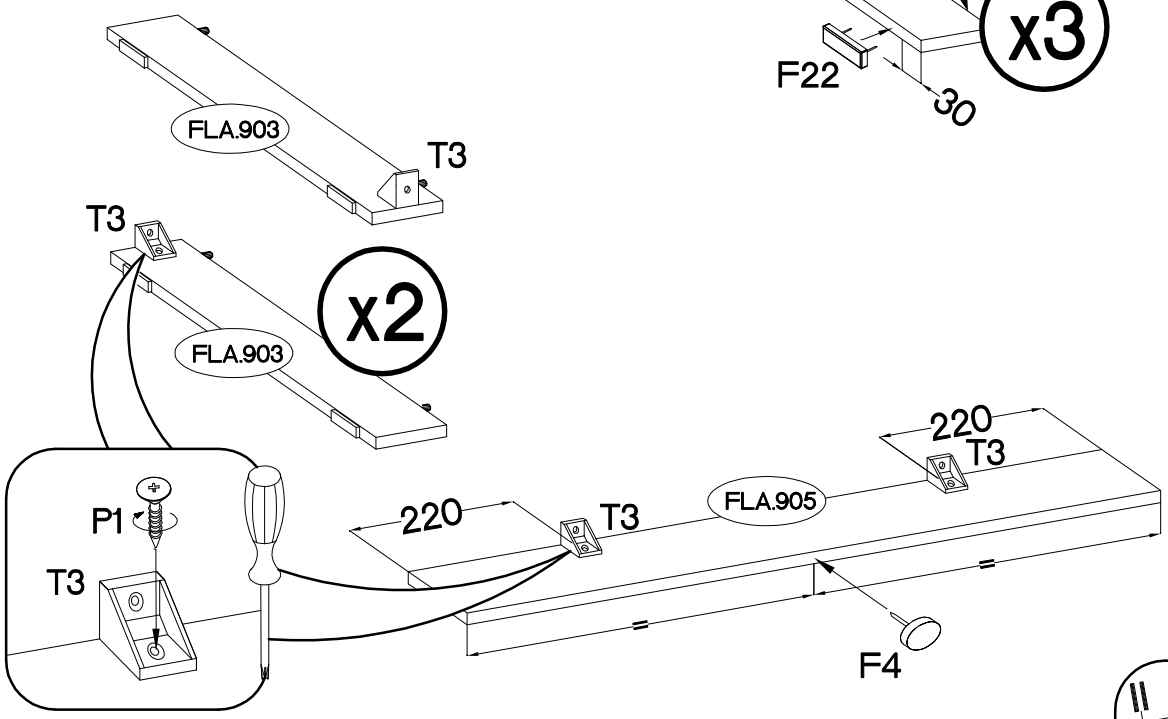
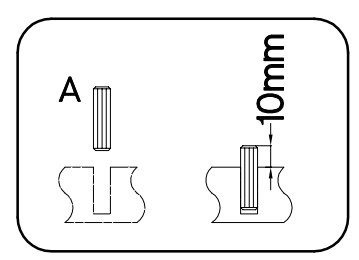
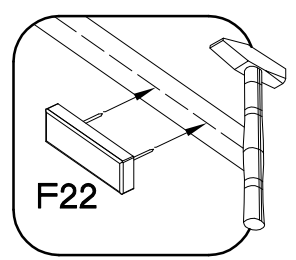
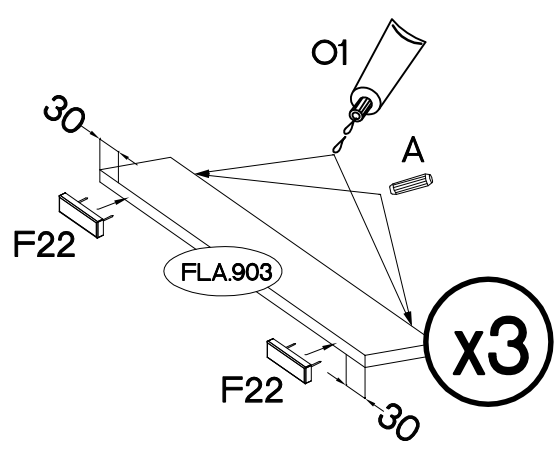
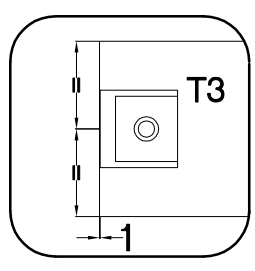
+8x30mm  A 12	+15/12mm  C 6	L=400mm  L  R I9 3	+6.3x13mm  M2 9	+6.3x20mm  M3 9	+20/8mm  J14 9
--	--	--	--	--	--



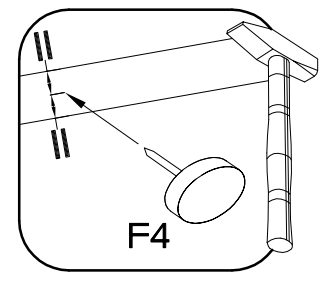
26

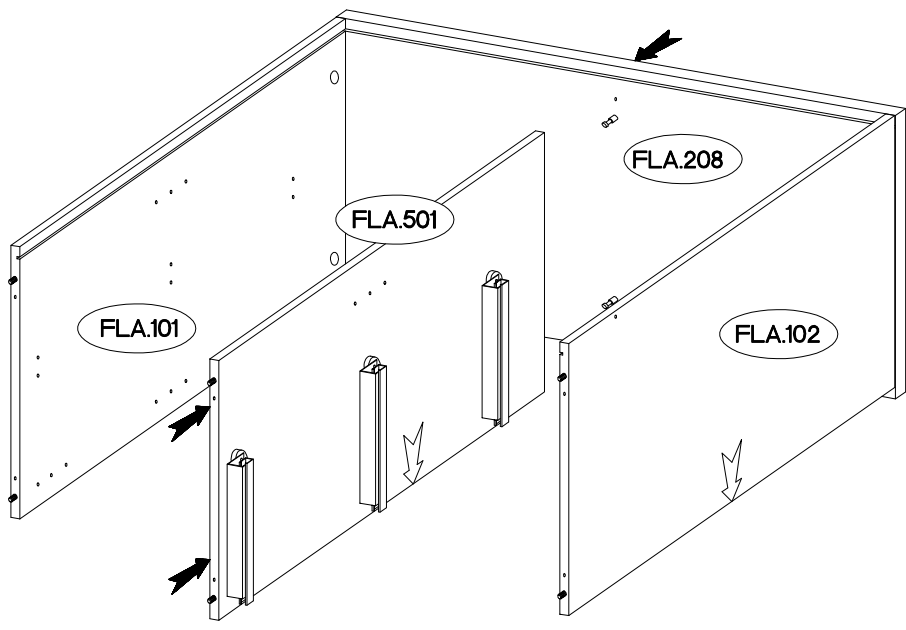
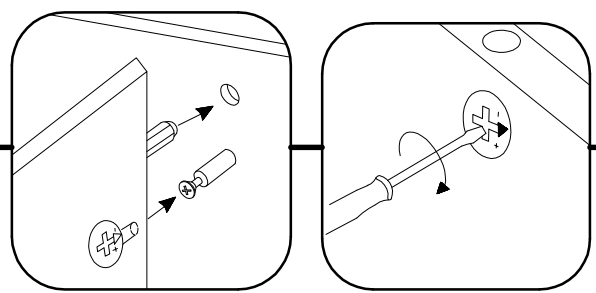
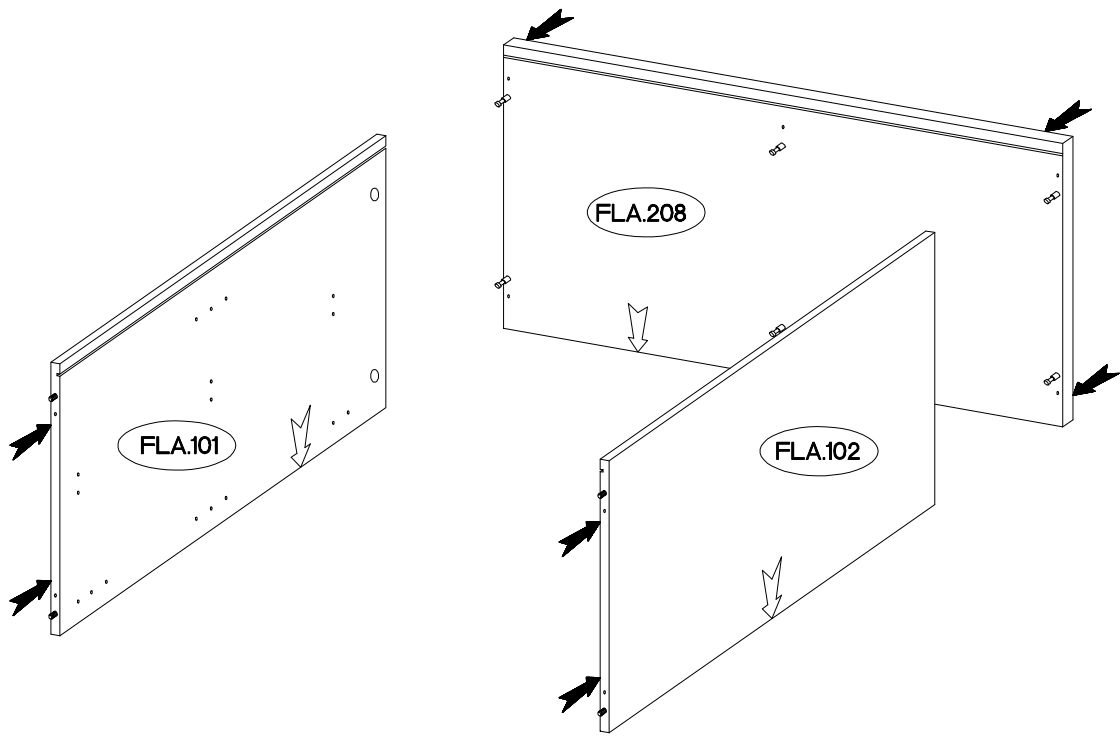
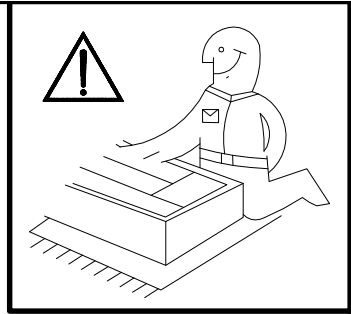


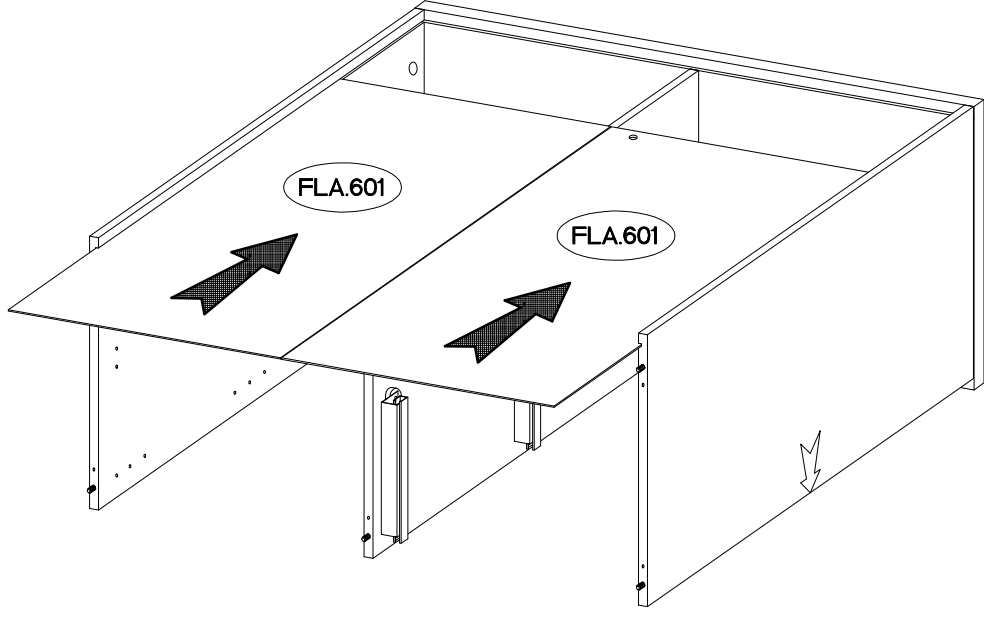
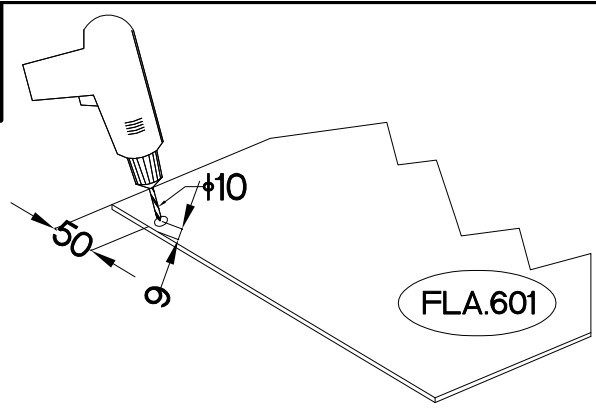
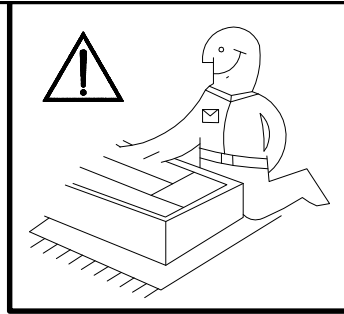
27



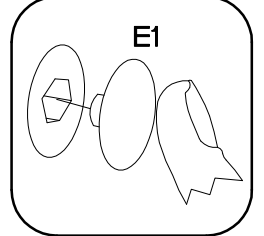
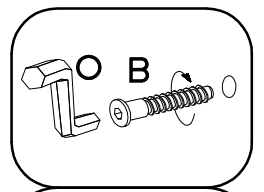
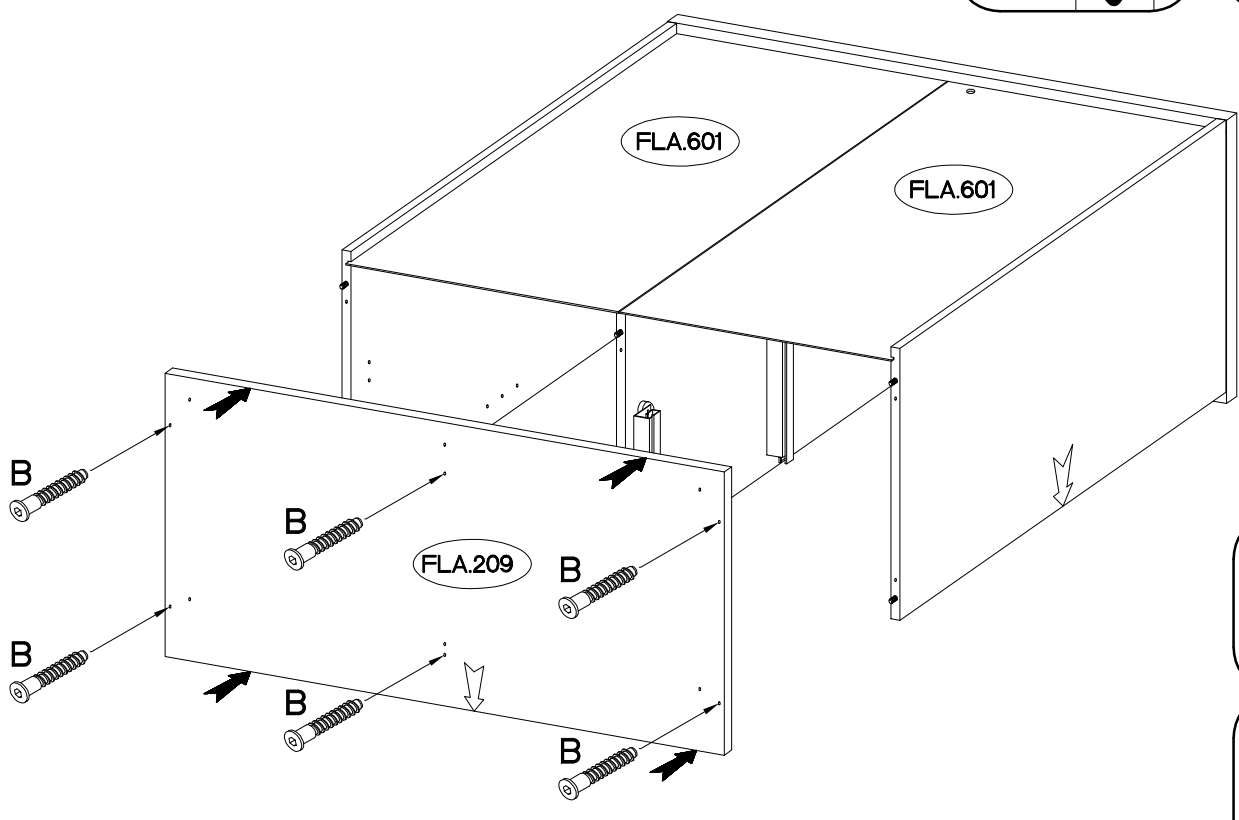
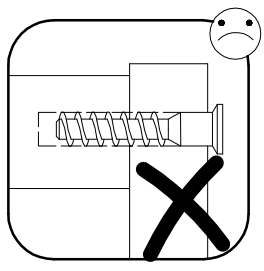
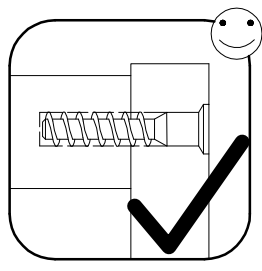
T3	P1	F22	F4	O1	A
5	5	6	1	1	6



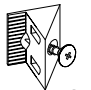

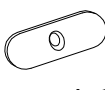


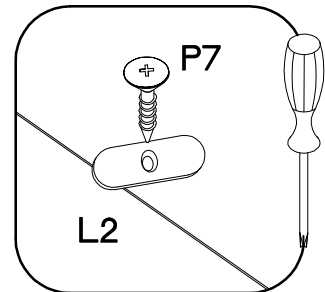
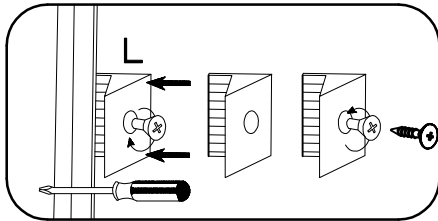
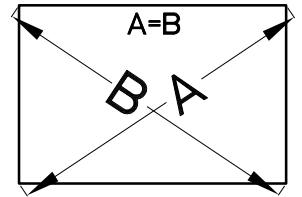
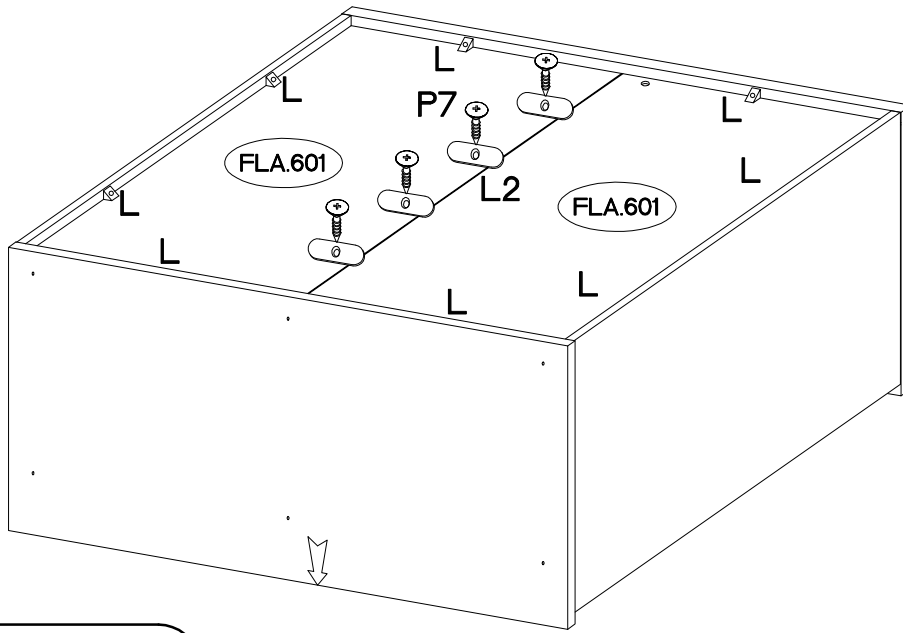
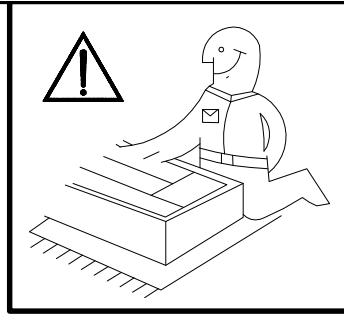


6,4 x 50mm		
B	O	E1
6	1	4




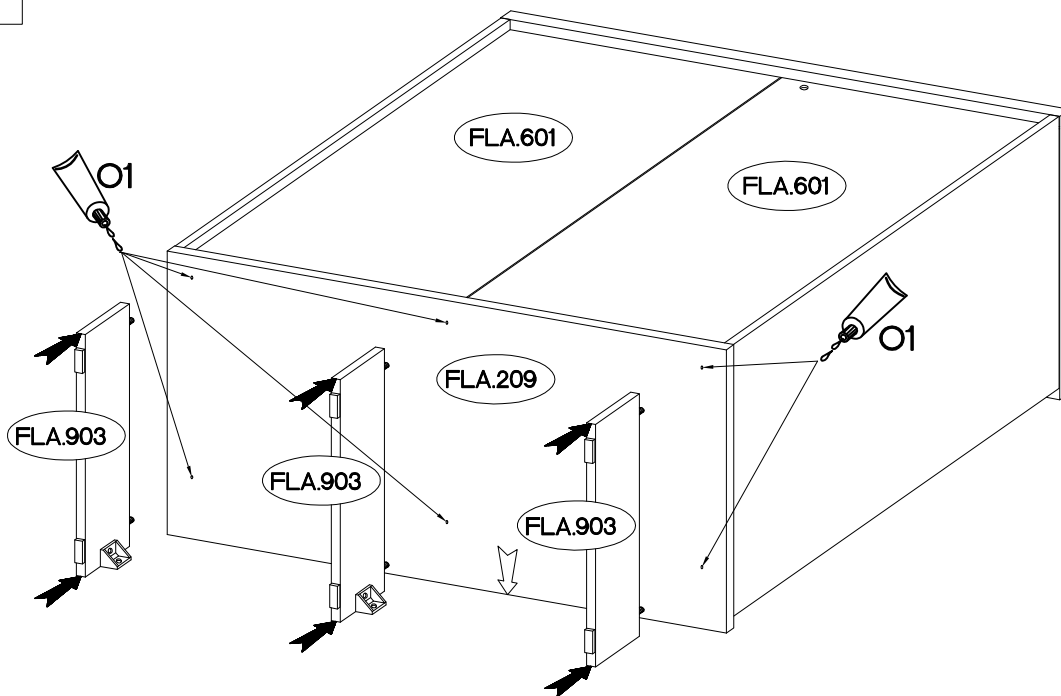
31

 L	 P7	 L2
8	4	4

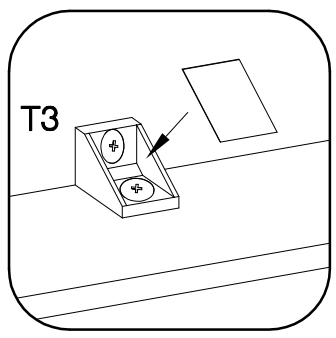
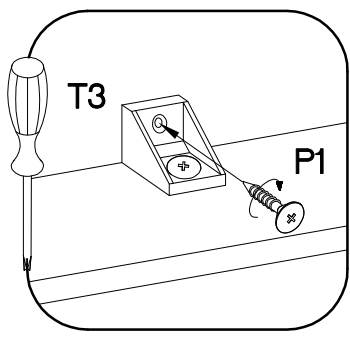
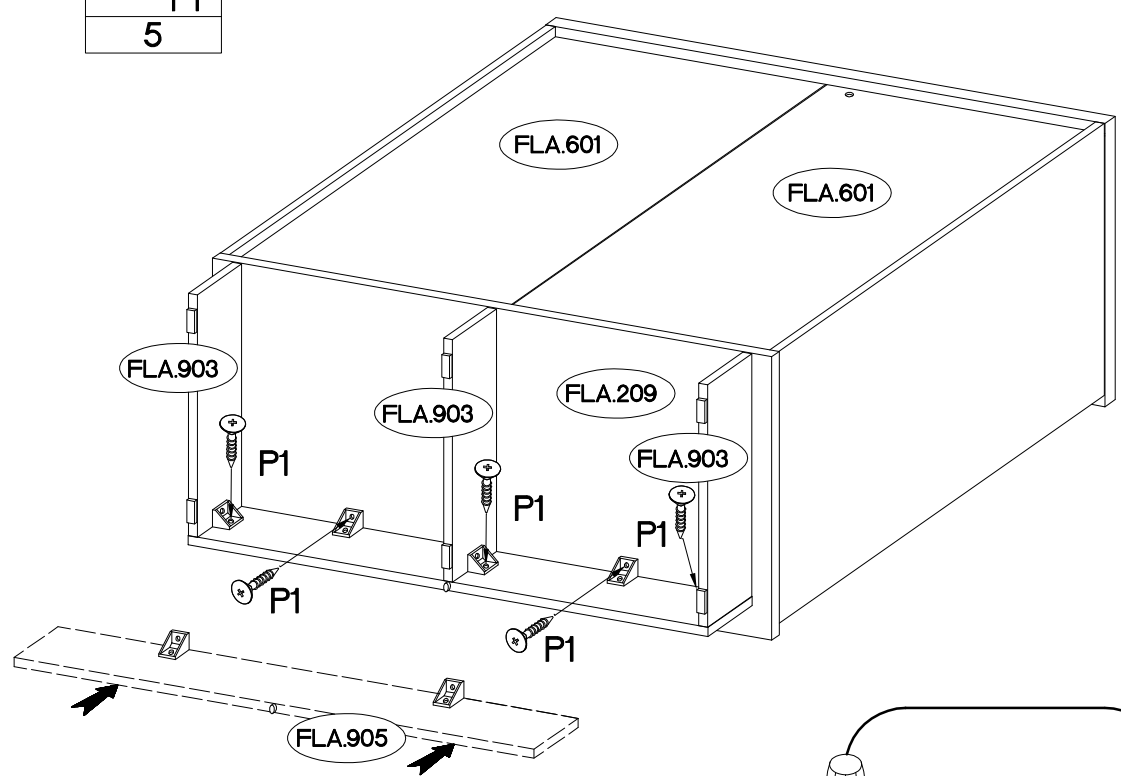
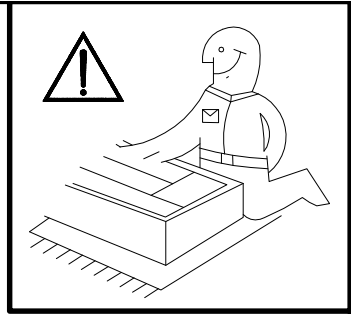
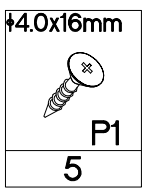


32

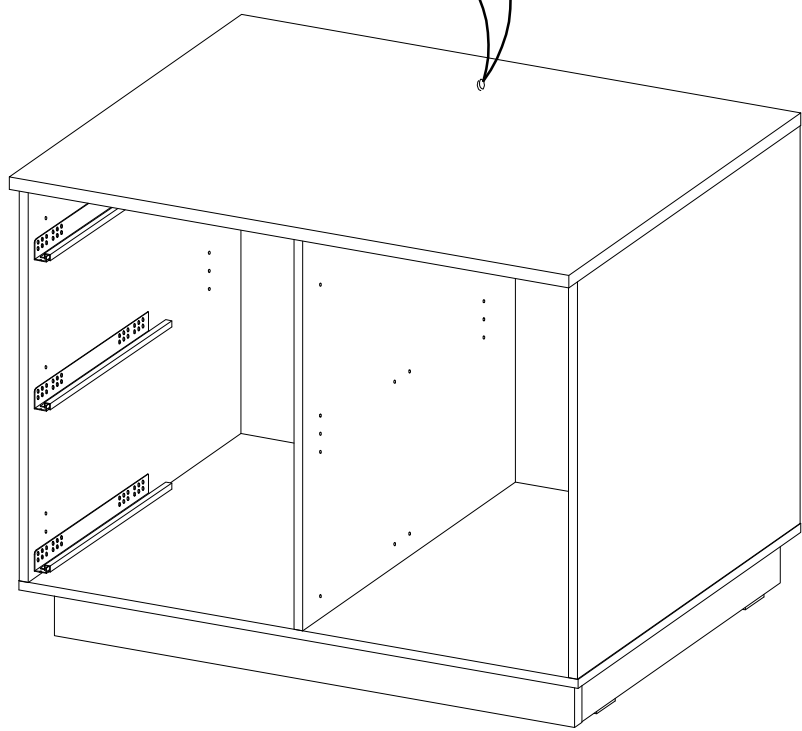
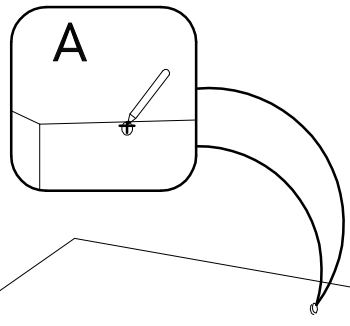
 O1
1






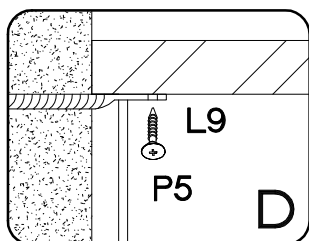
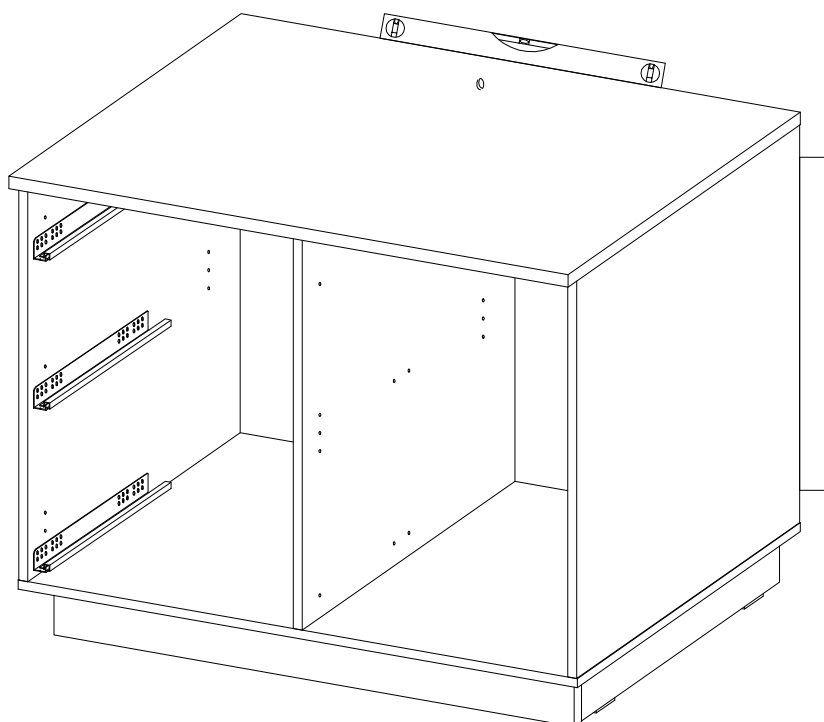
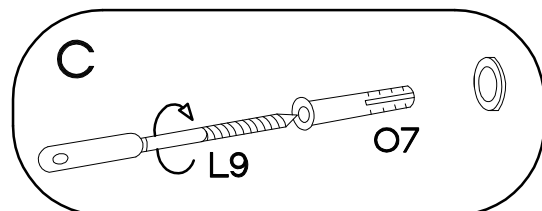
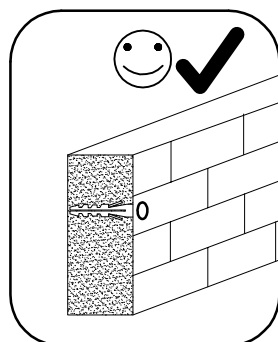
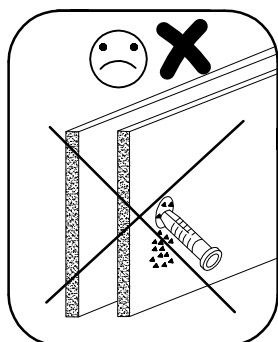
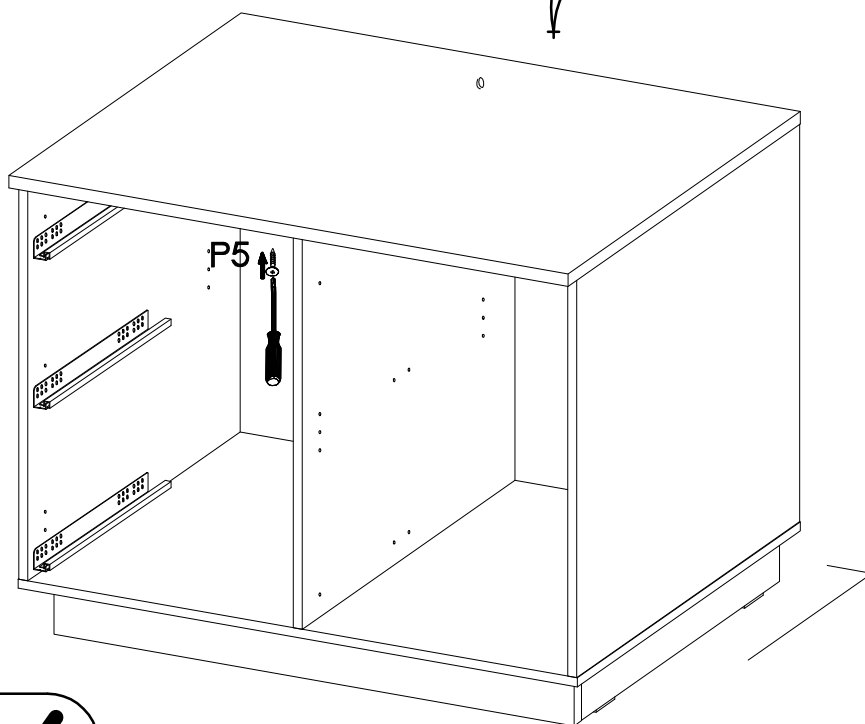
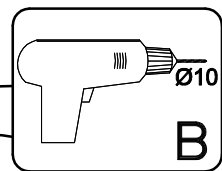
33



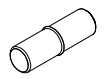

34

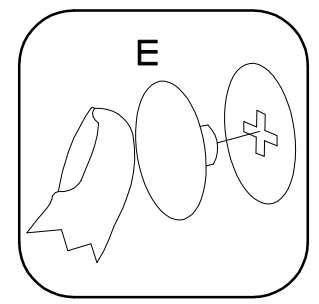
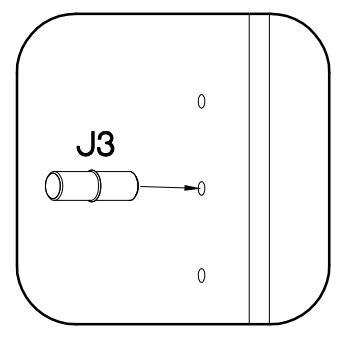
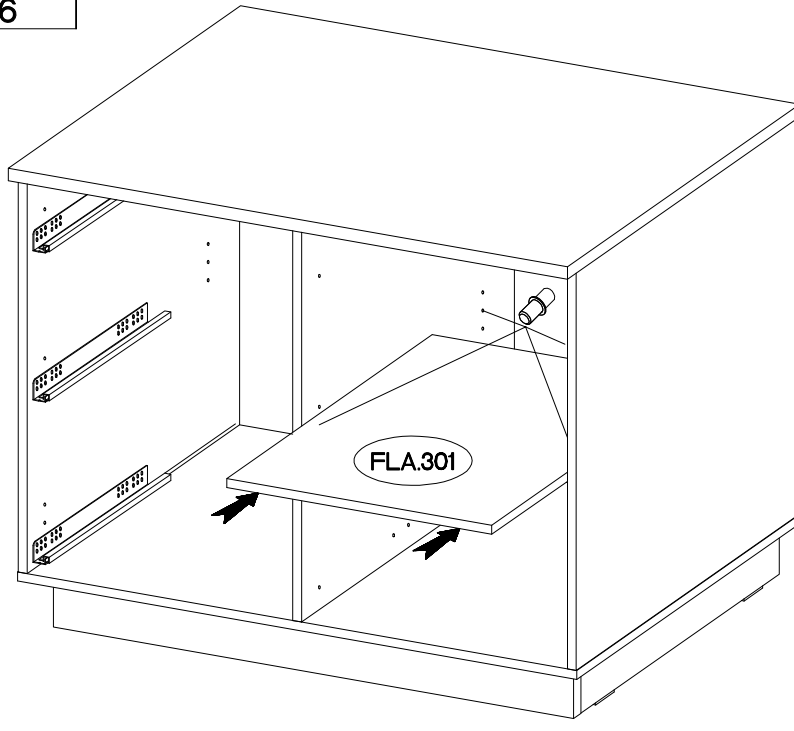


$\varnothing 10 \times 50 \text{mm}$  O7 1	 L9 1	$\varnothing 3.5 \times 13 \text{mm}$  P5 1
---	--	---

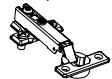



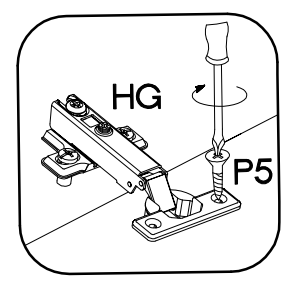
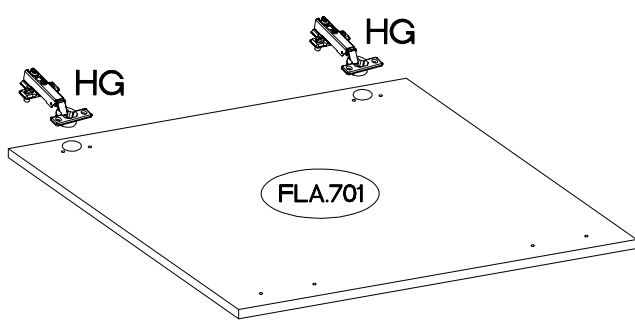
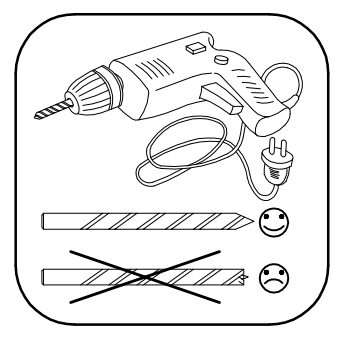
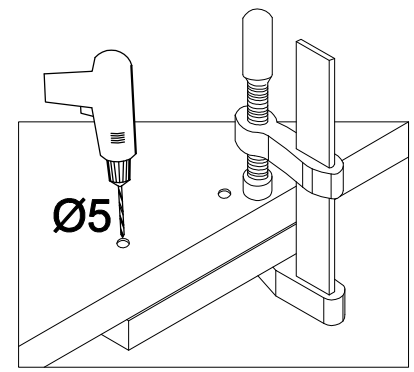
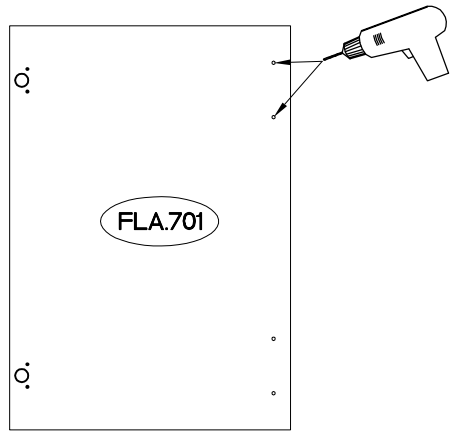
35

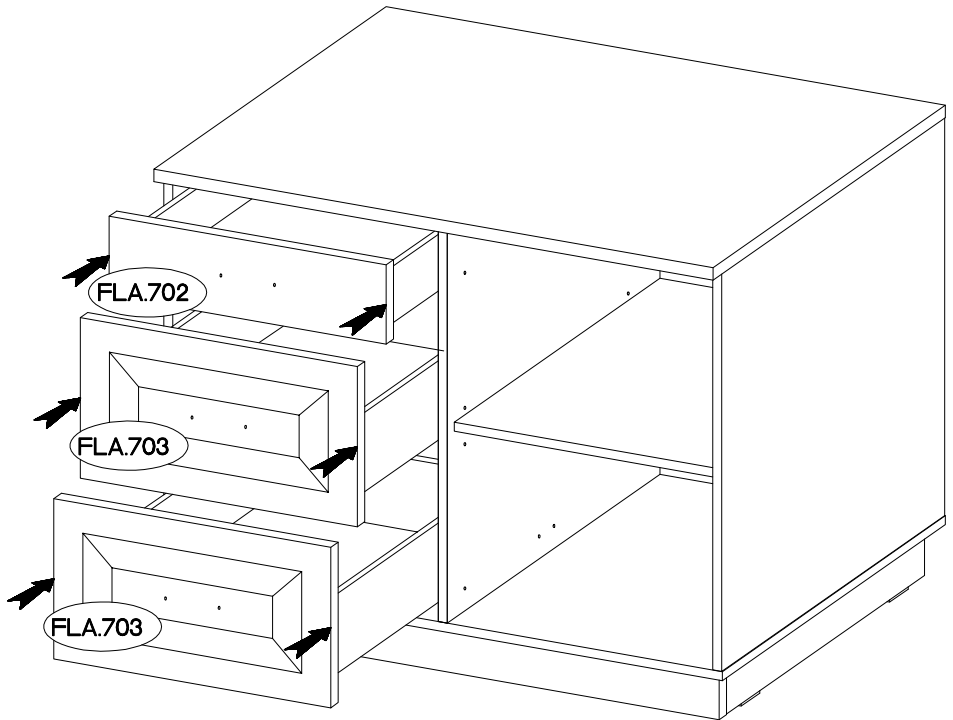
±5/16mm		
	J3	E
	4	6



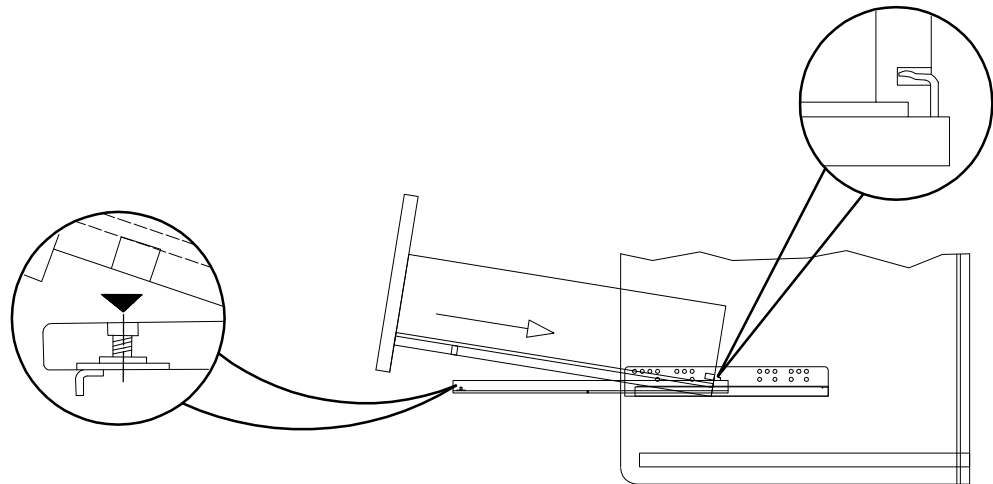
36

±35/0mm	±3.5x13mm
	
HG	P5
2	4

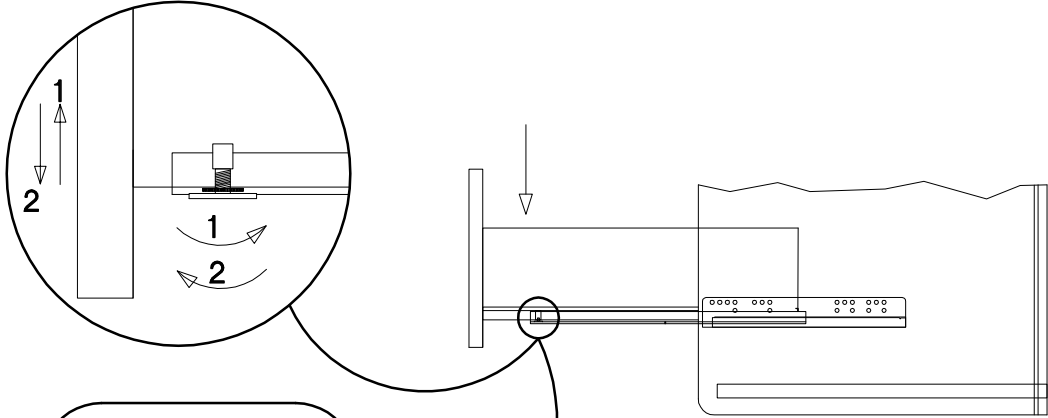




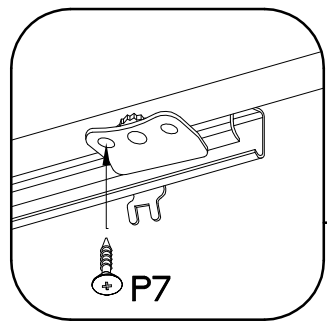
1.





2.



3.



M4x22mm	
	
U	S
8	4

