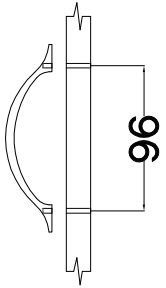
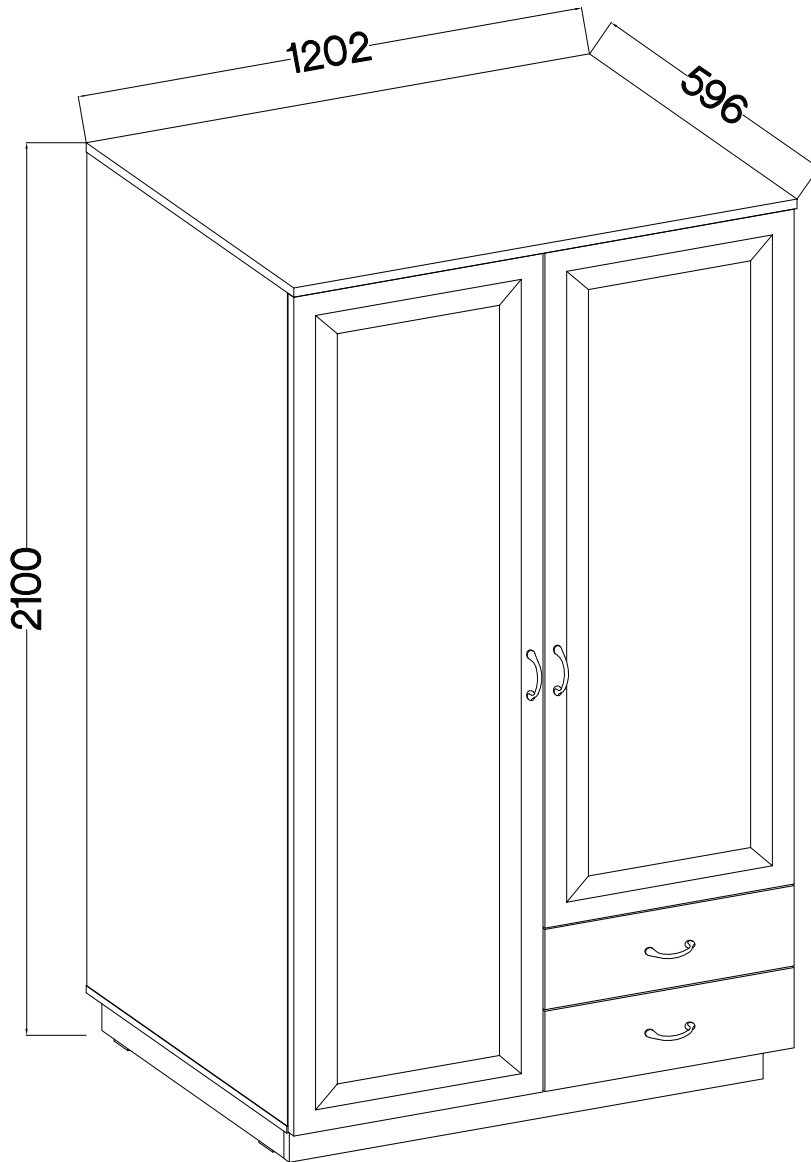
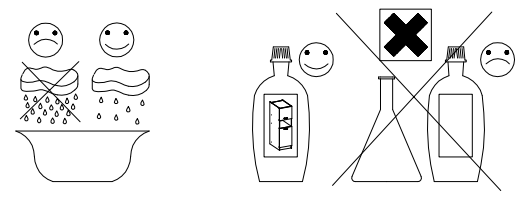
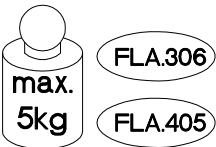
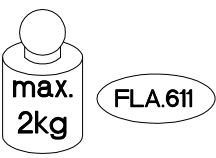
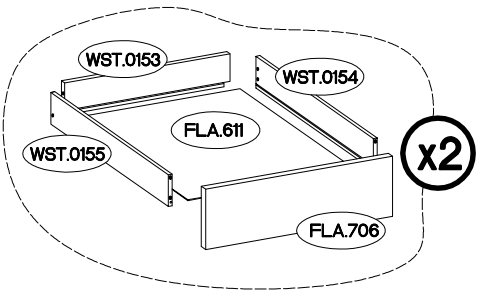
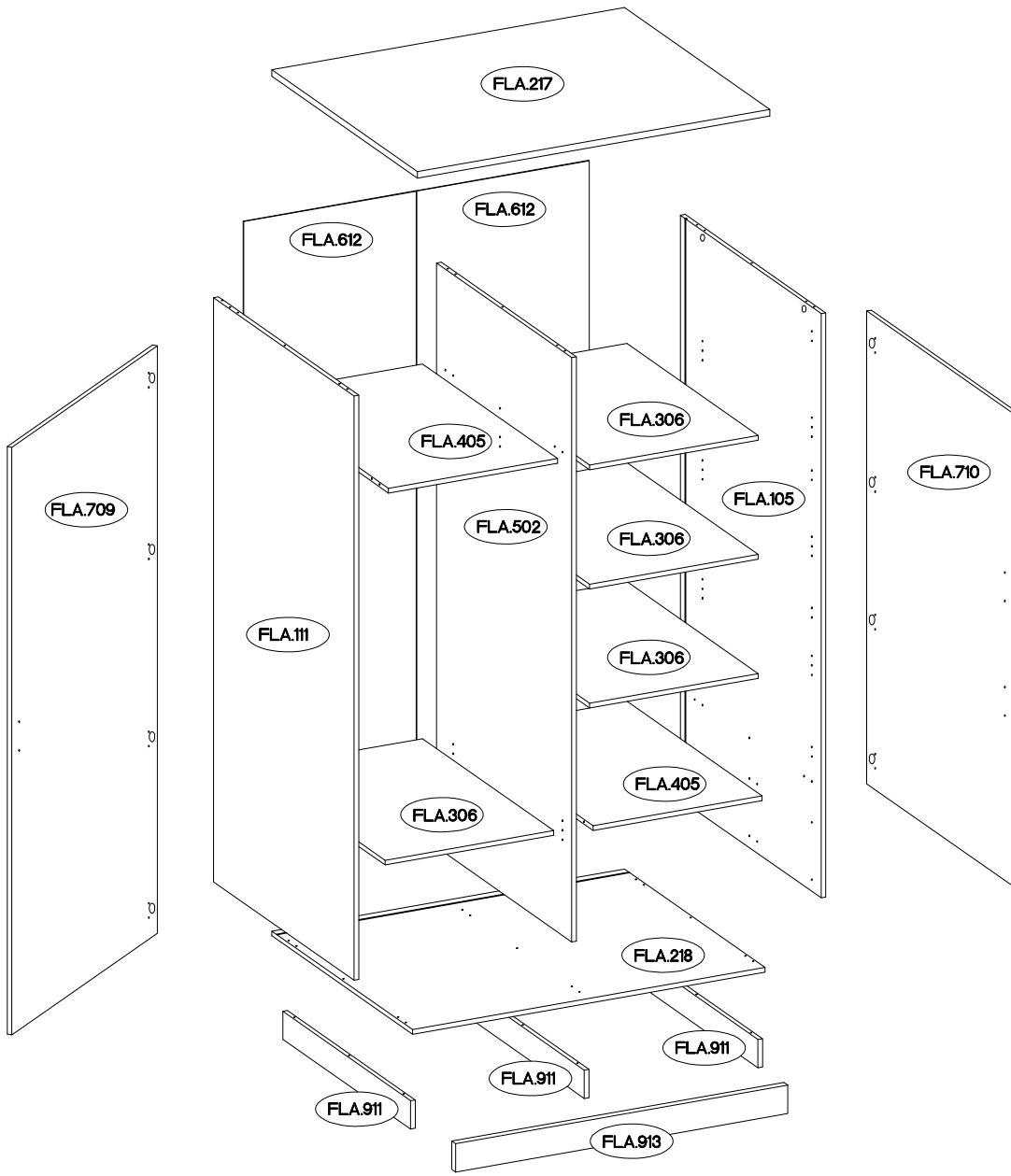


120 min


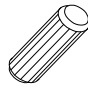



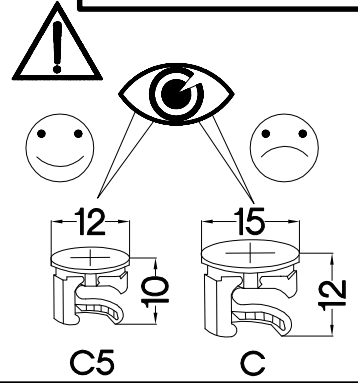
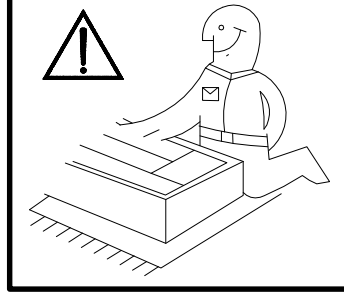
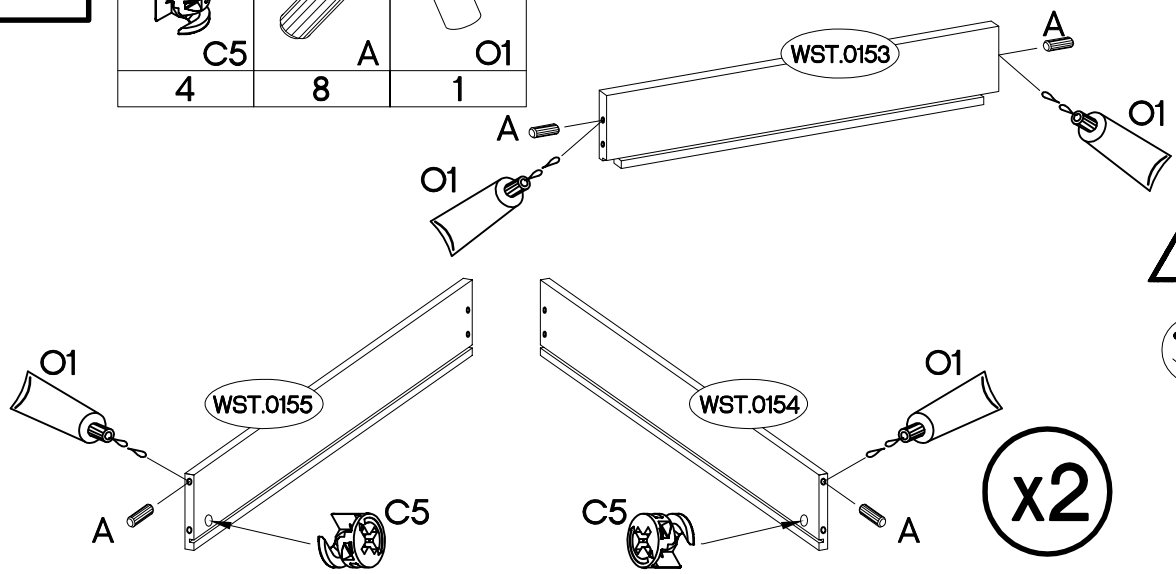
†8x30mm	6,4 x 50mm	†6x42mm
A	B	B2
47	6	4

†15/12mm	†12/10mm	L=20mm			†15x5mm	6.5x48x16	†35/0mm	L=450mm	L=570mm
C	C5	D2	E	E1	F4	F22	HG	L	R
14	4	18	14	4	1	6	8	2	1
†5/16mm	†20/8mm					†6.3x13mm	†6.3x20mm		†10x50mm
J3	J14	J17	L	L2	L19	M2	M3	O	O1
16	6	2	22	12	1	6	6	1	1
†4.0x16mm	†3.5x13mm	†3.0x20mm	†5.0x60mm			M4x22mm			
P1	P5	P7	P12	S	T3	U			
10	20	25-30	1	4	5	8			

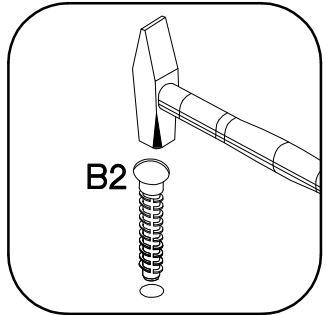
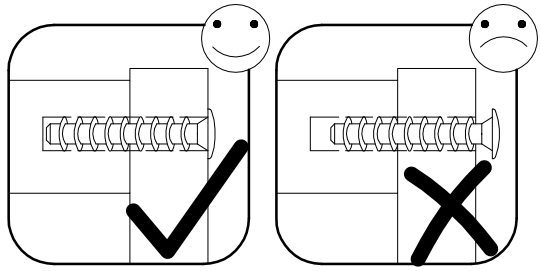
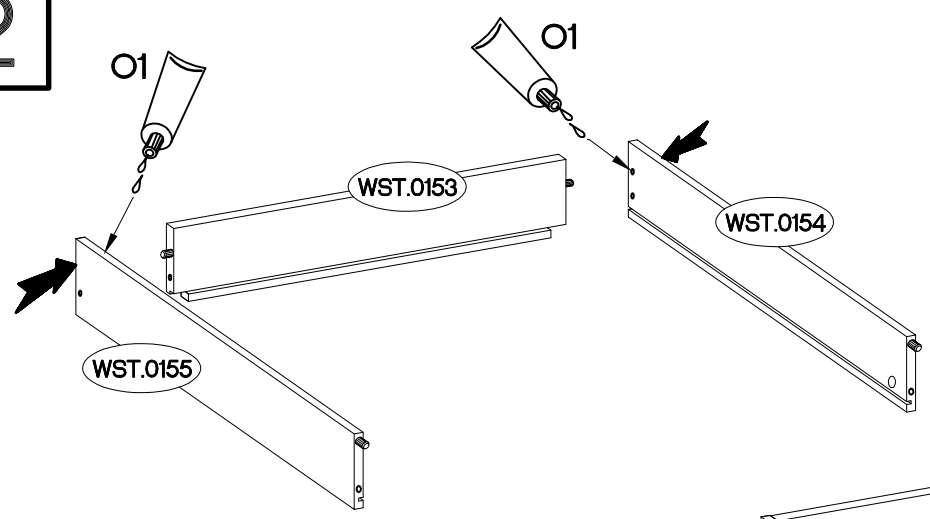




1

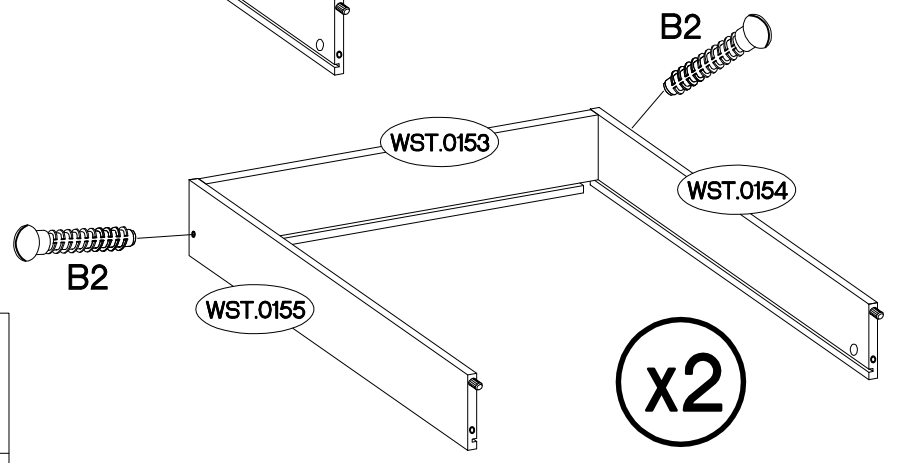
±12/10mm  C5	±8x30mm  A	 O1
4	8	1




2

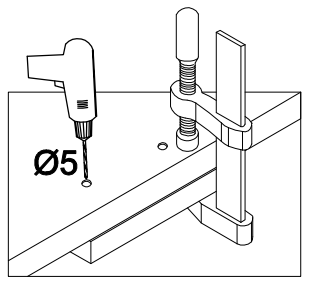
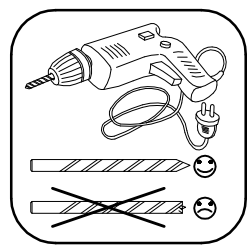
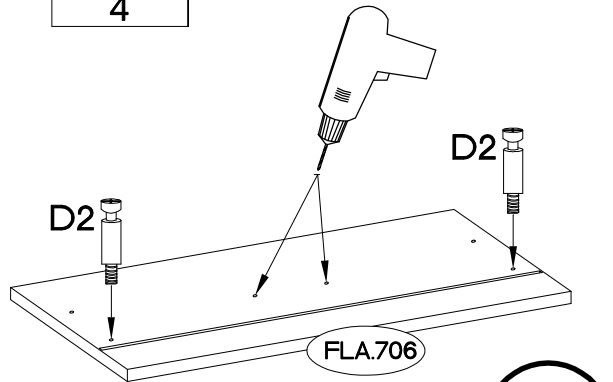


±6x42mm  B2	 O1
4	1

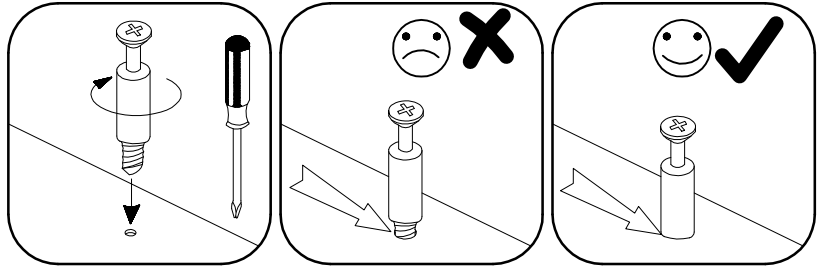


3

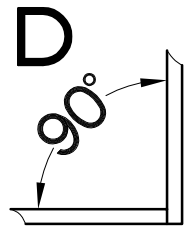
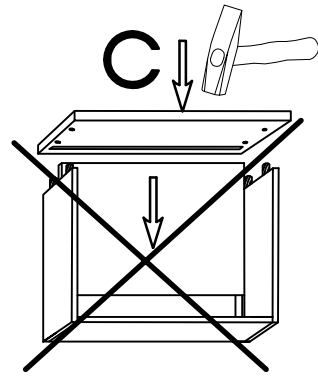
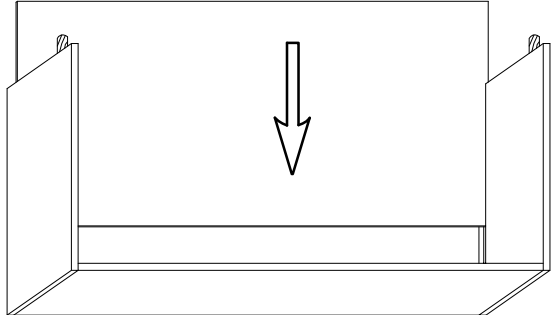
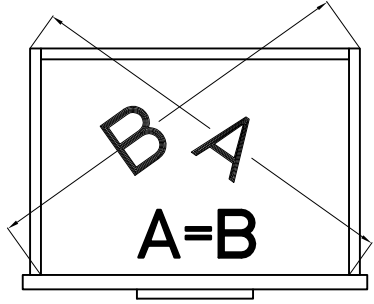
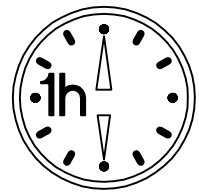
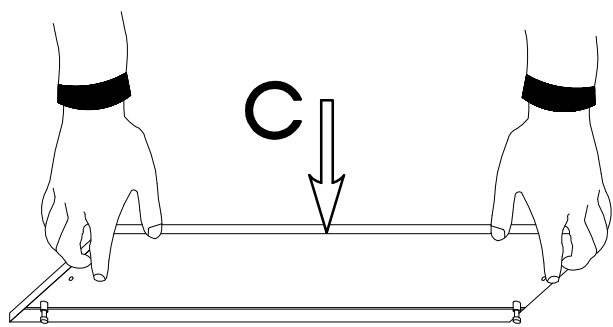
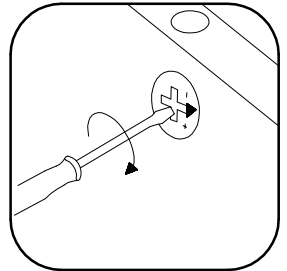
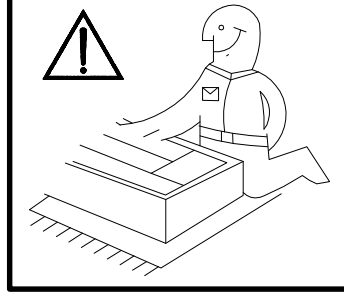
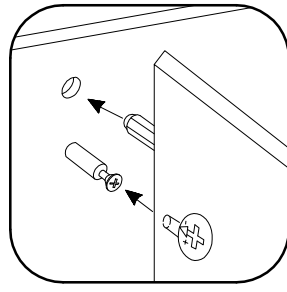
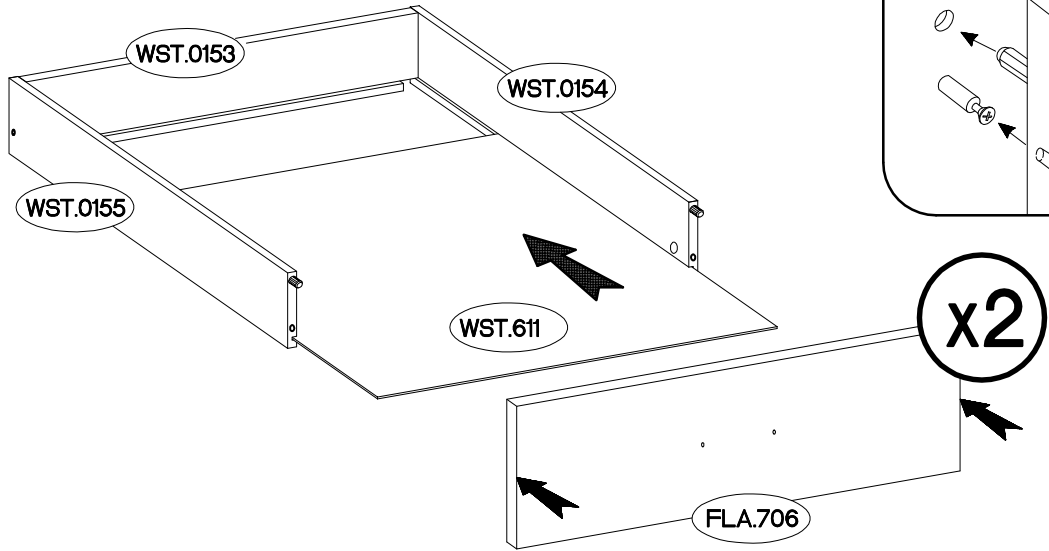
L=20mm  D2
4



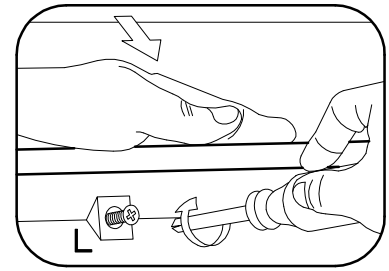
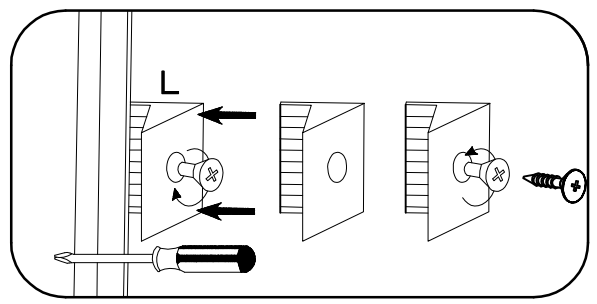
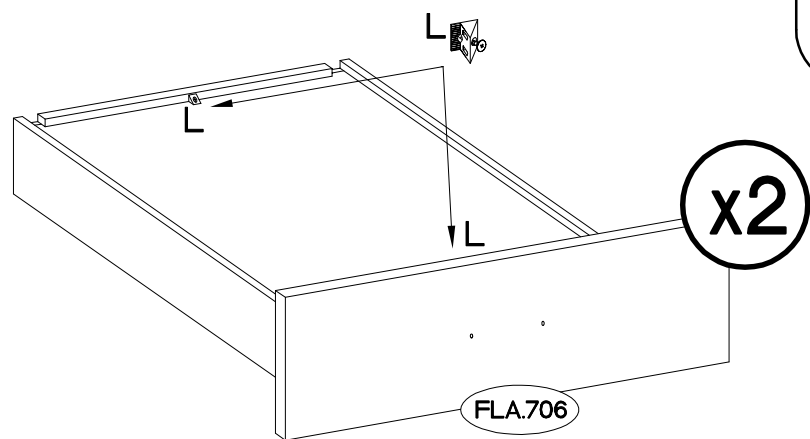
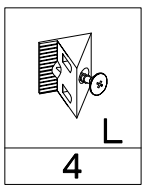
x2

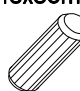


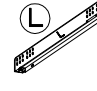




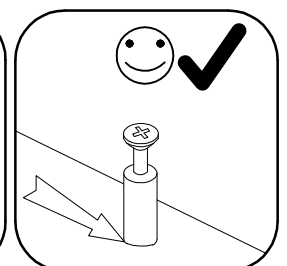
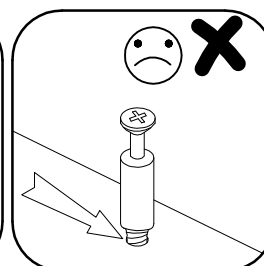
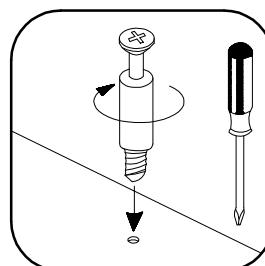
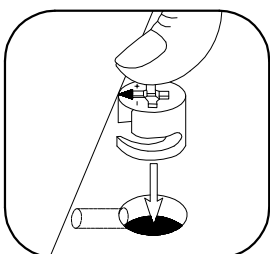
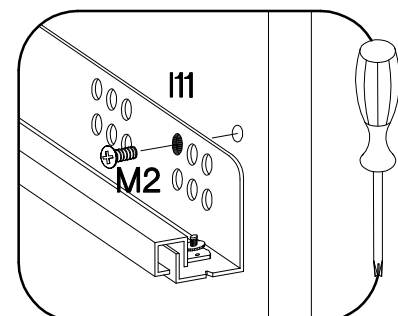
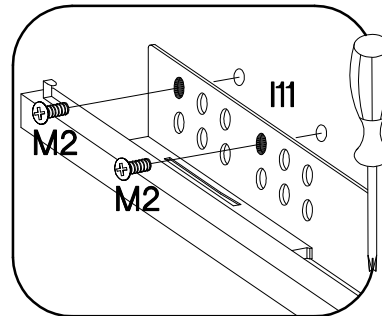
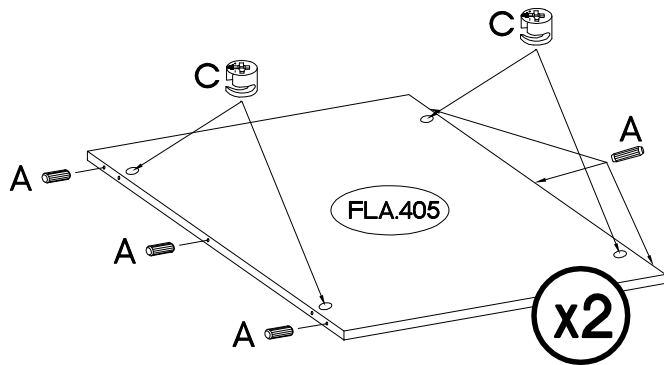
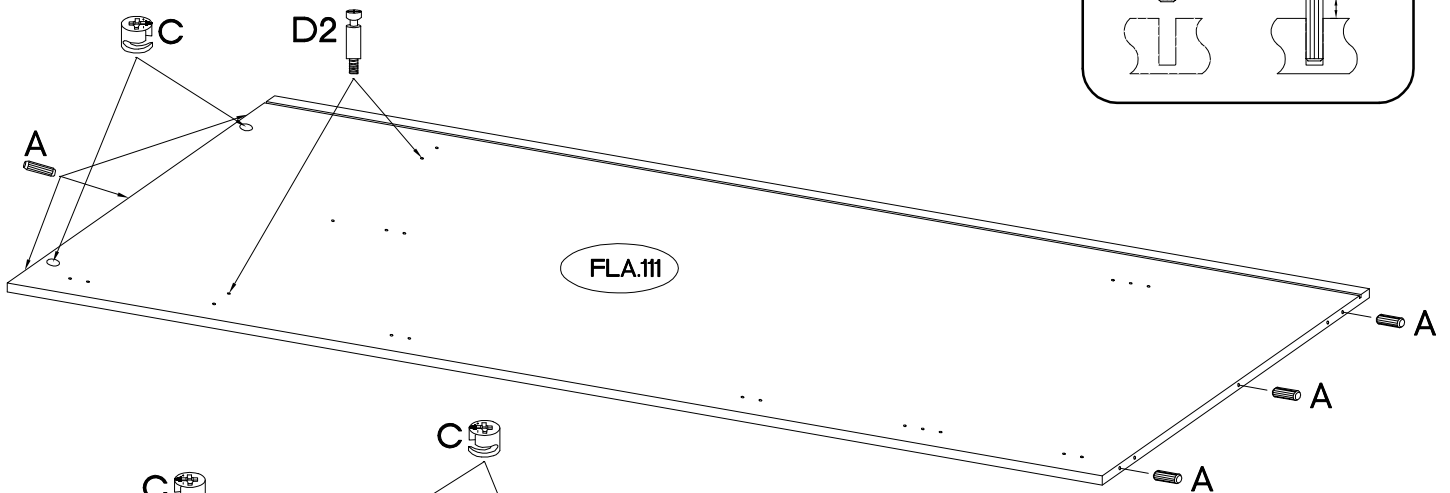
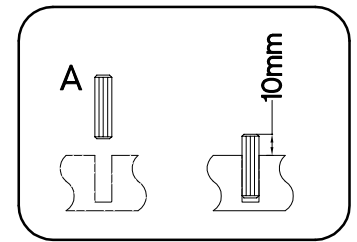
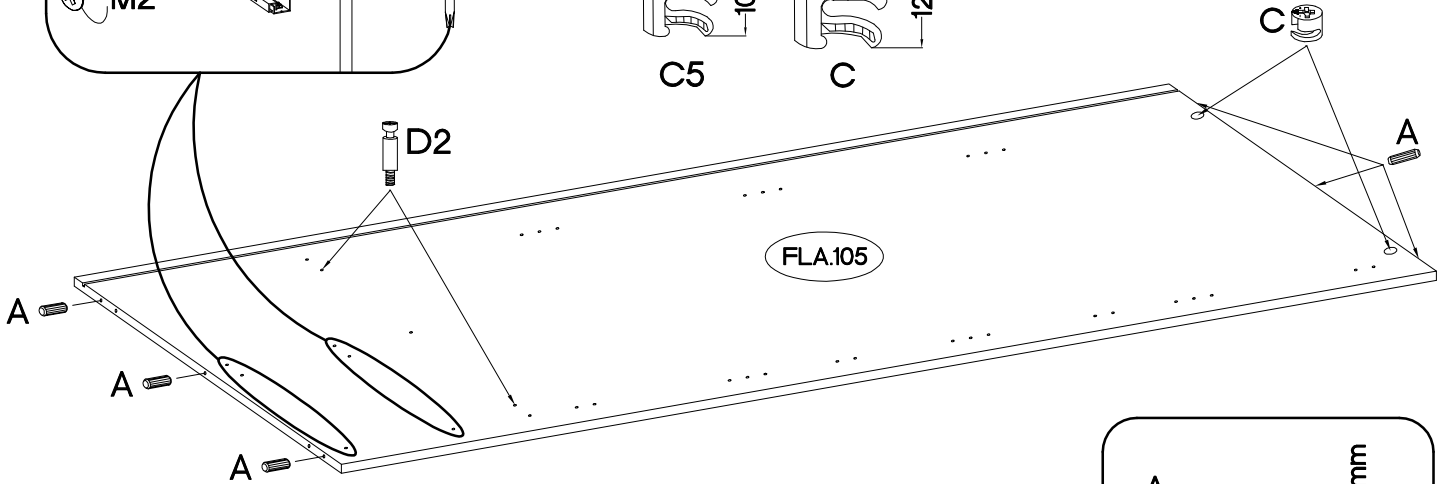
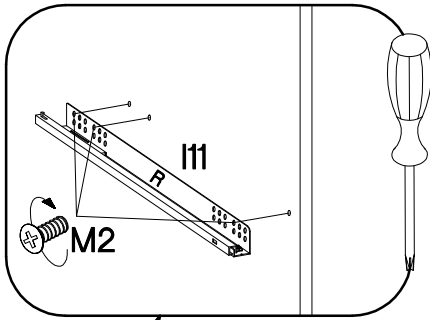
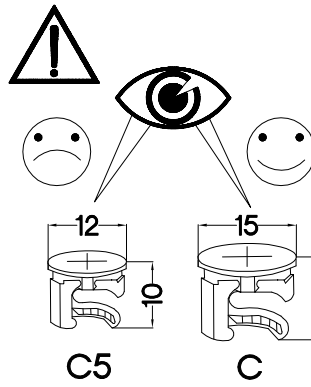
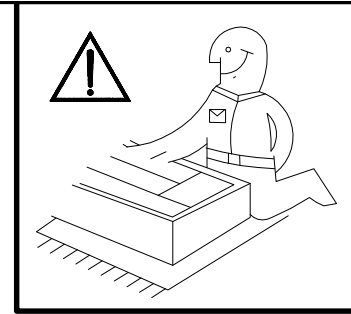
4

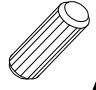

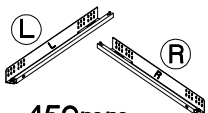

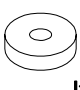



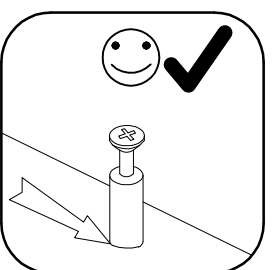
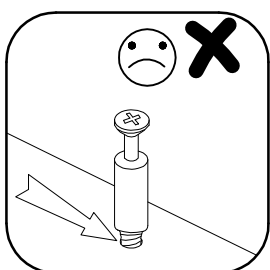
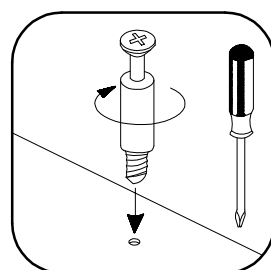
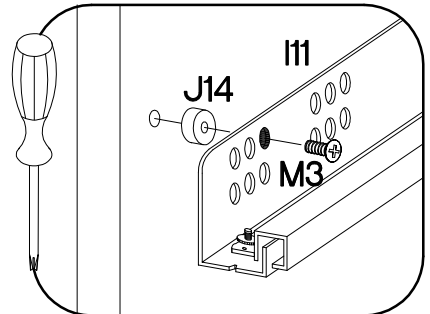
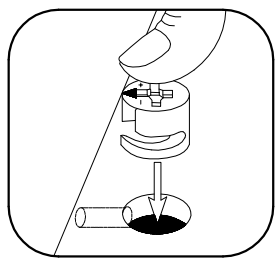
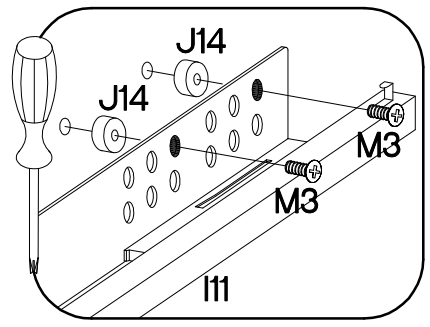
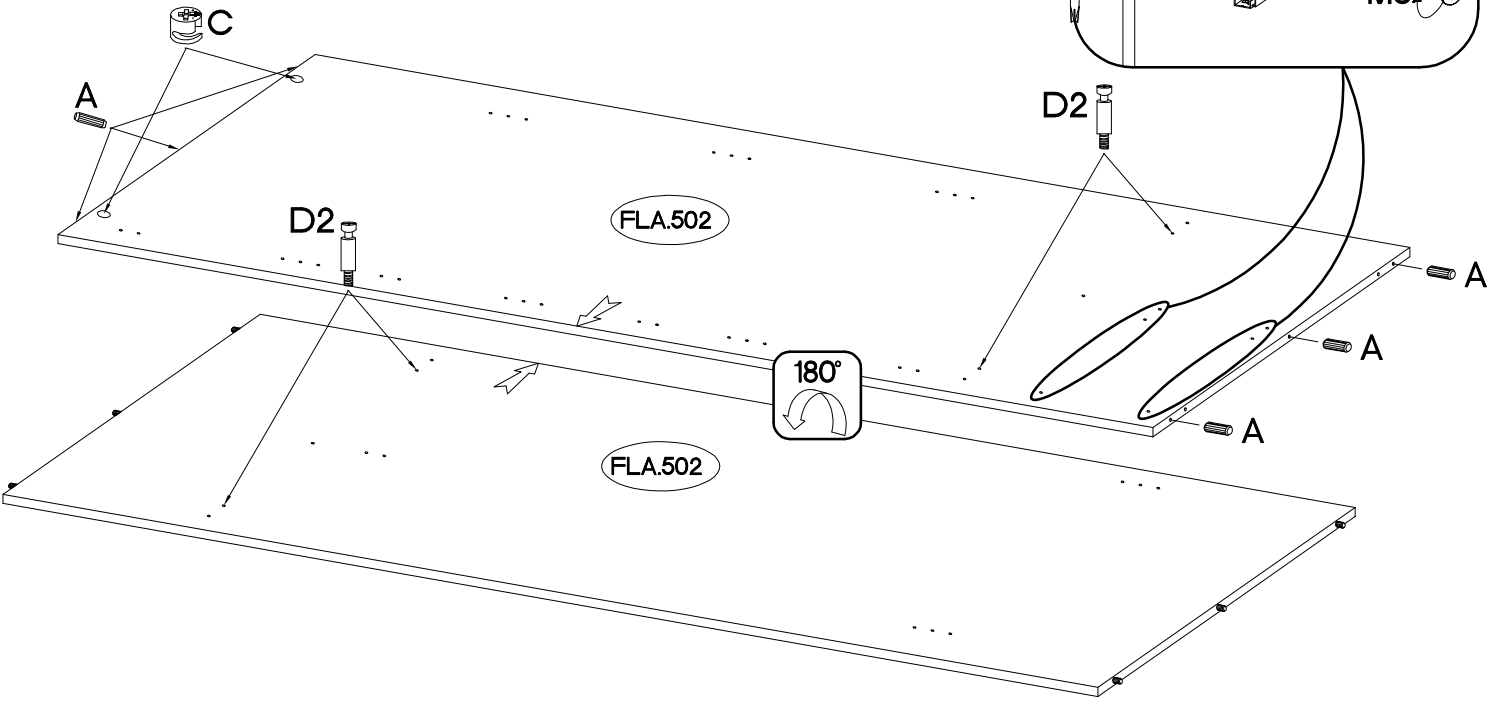
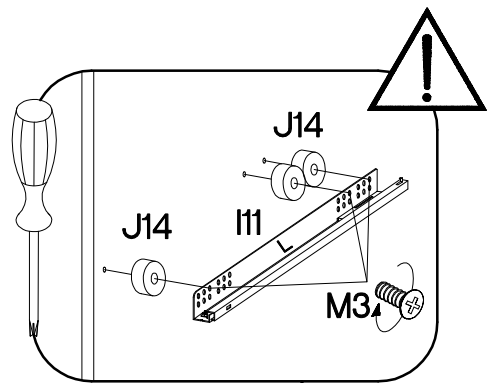
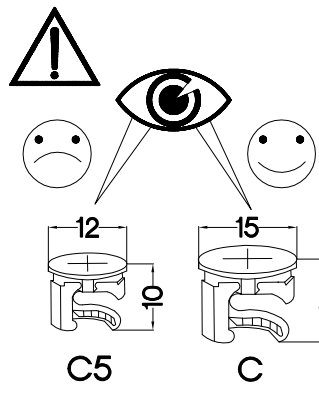
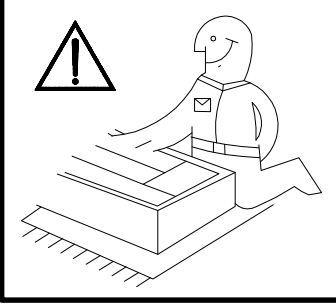
5



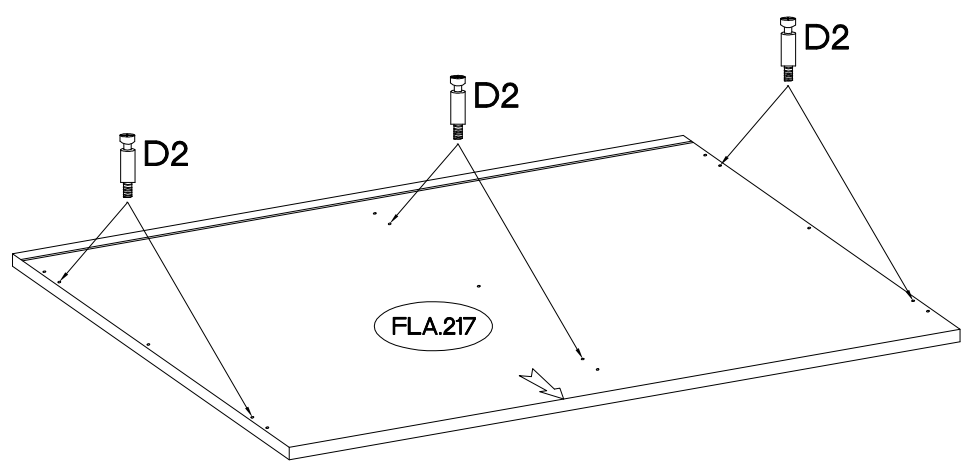
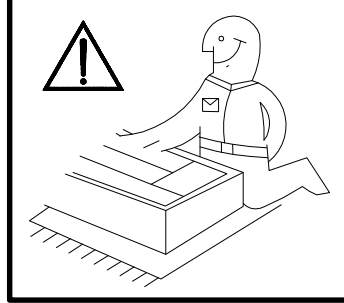
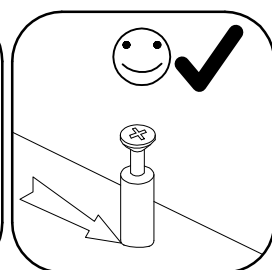
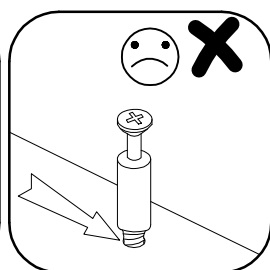
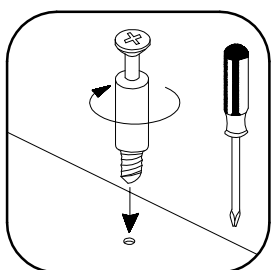
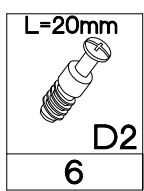
$\pm 8 \times 30 \text{mm}$  A 24	$\pm 15/12 \text{mm}$  C 12	L=20mm  D2 4	L=450mm  L  R I11 2	$\pm 6.3 \times 13 \text{mm}$  M2 6
----------------------------------------------------------------------------------------------------------------------------	----------------------------------------------------------------------------------------------------------------------	-------------------------------------------------------------------------------------------------------	-------------------------------------------------------------------------------------------------------------------------------------------------------------------------------------------------	------------------------------------------------------------------------------------------------------------------------------



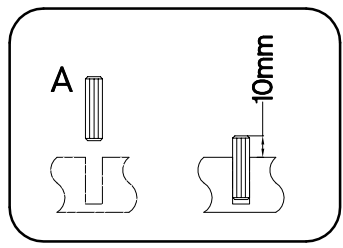
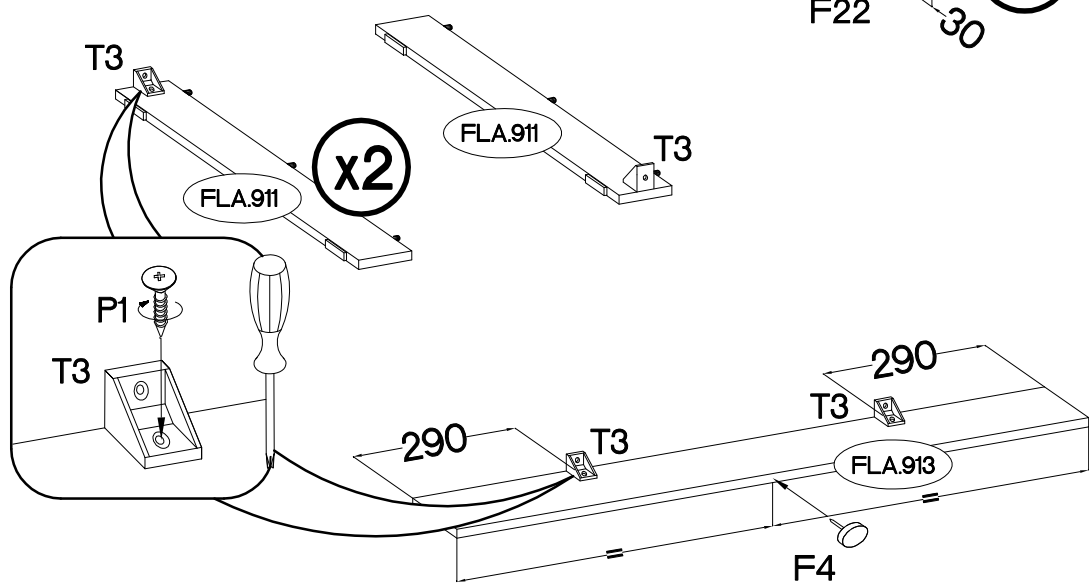
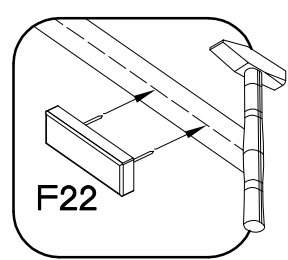
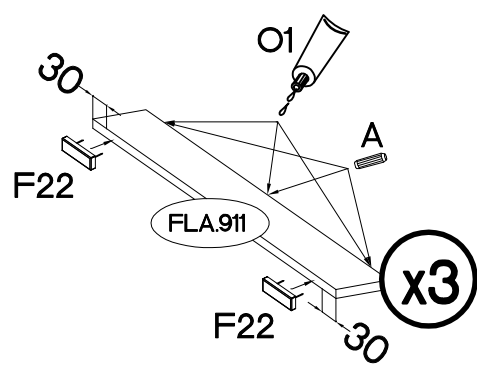
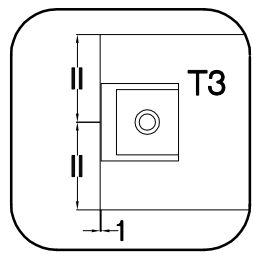
$\pm 8 \times 30 \text{mm}$  A	$\pm 15 / 12 \text{mm}$  C	$L=450 \text{mm}$  I11	$\pm 6.3 \times 20 \text{mm}$  M3	$\pm 20 / 8 \text{mm}$  J14	$L=20 \text{mm}$  D2
6	2	2	6	6	4



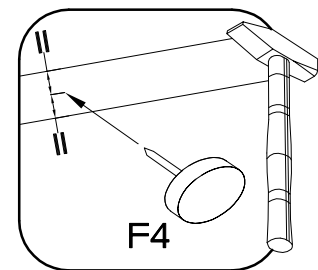
8



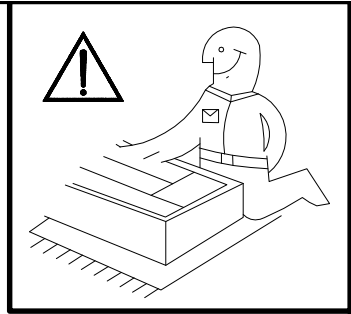
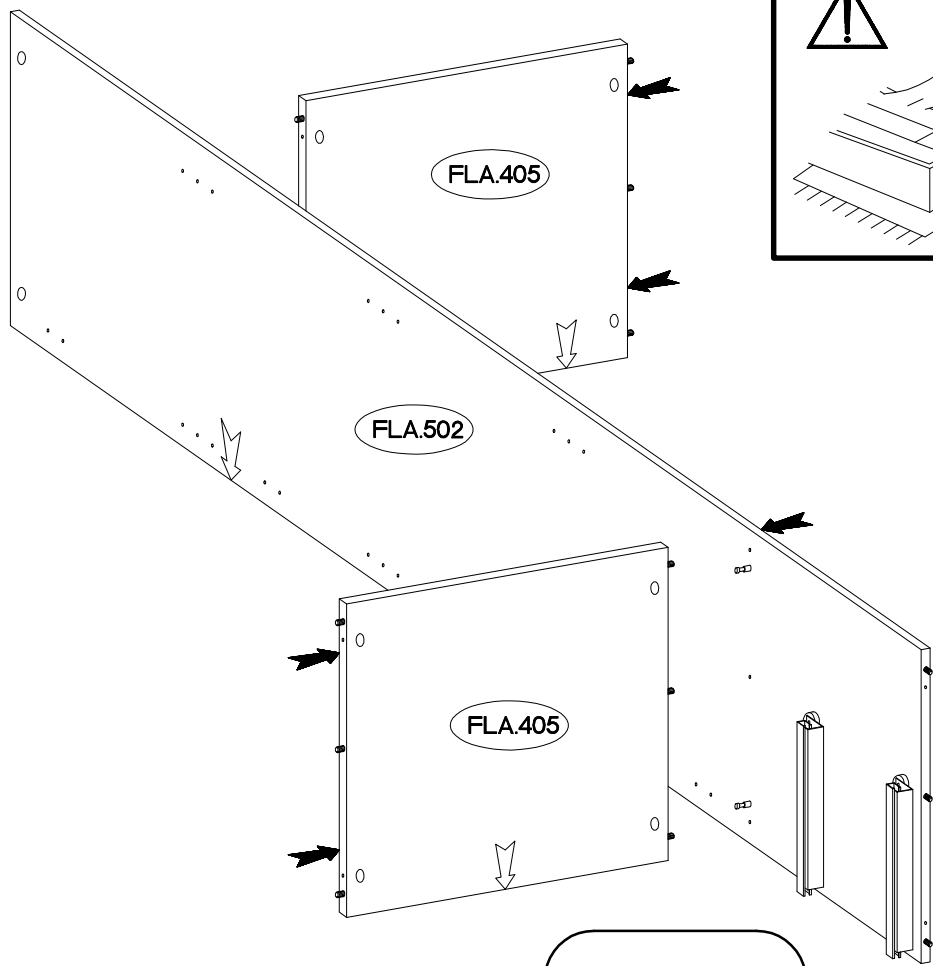
9



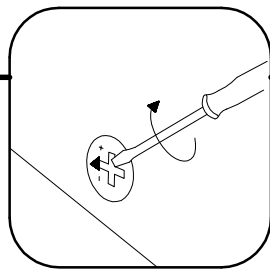
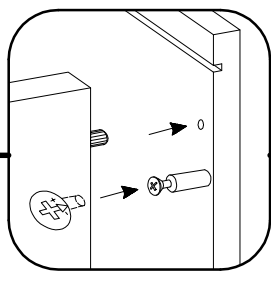
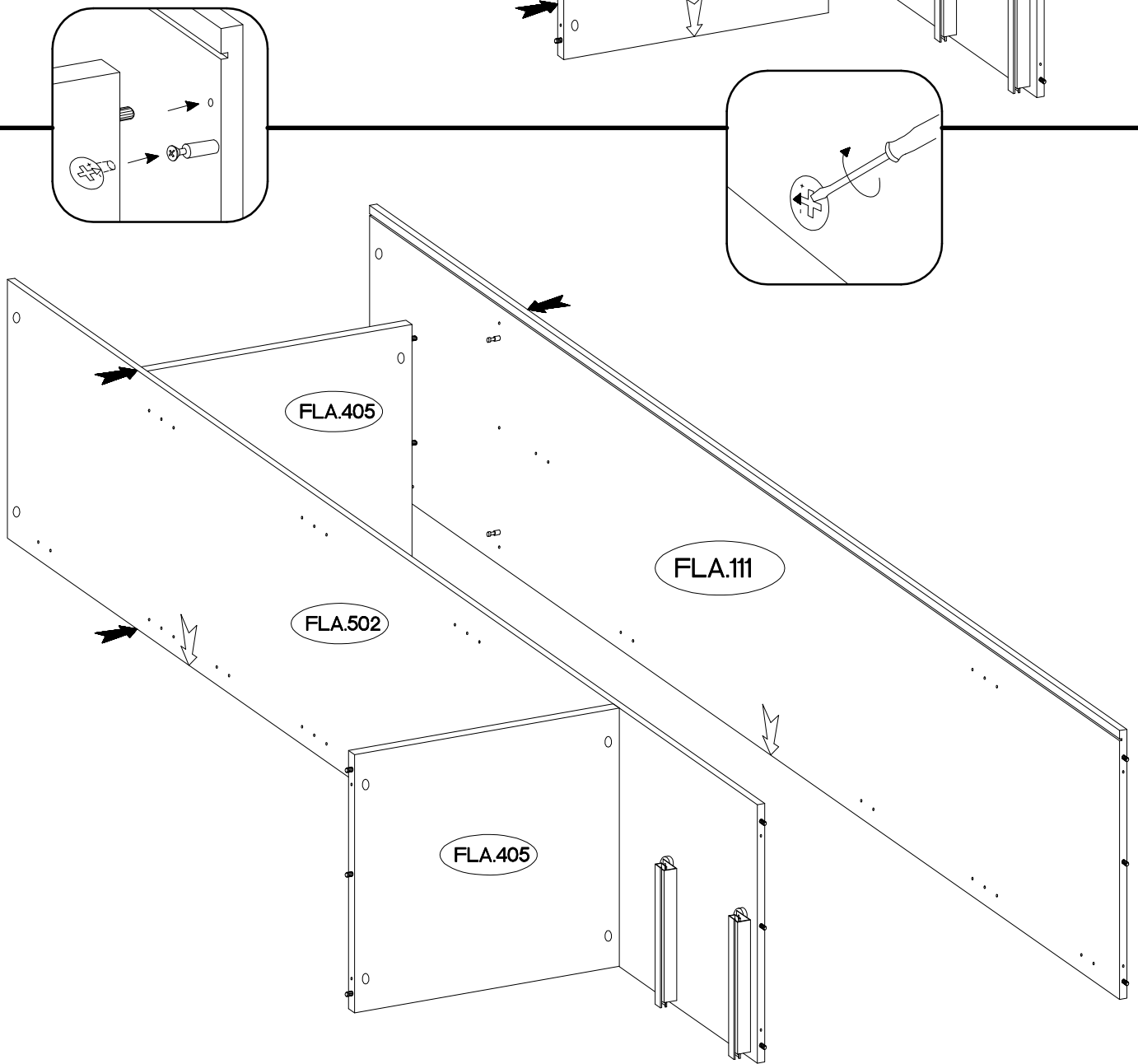
T3	P1	F22	F4	O1	A
5	5	6	1	1	9



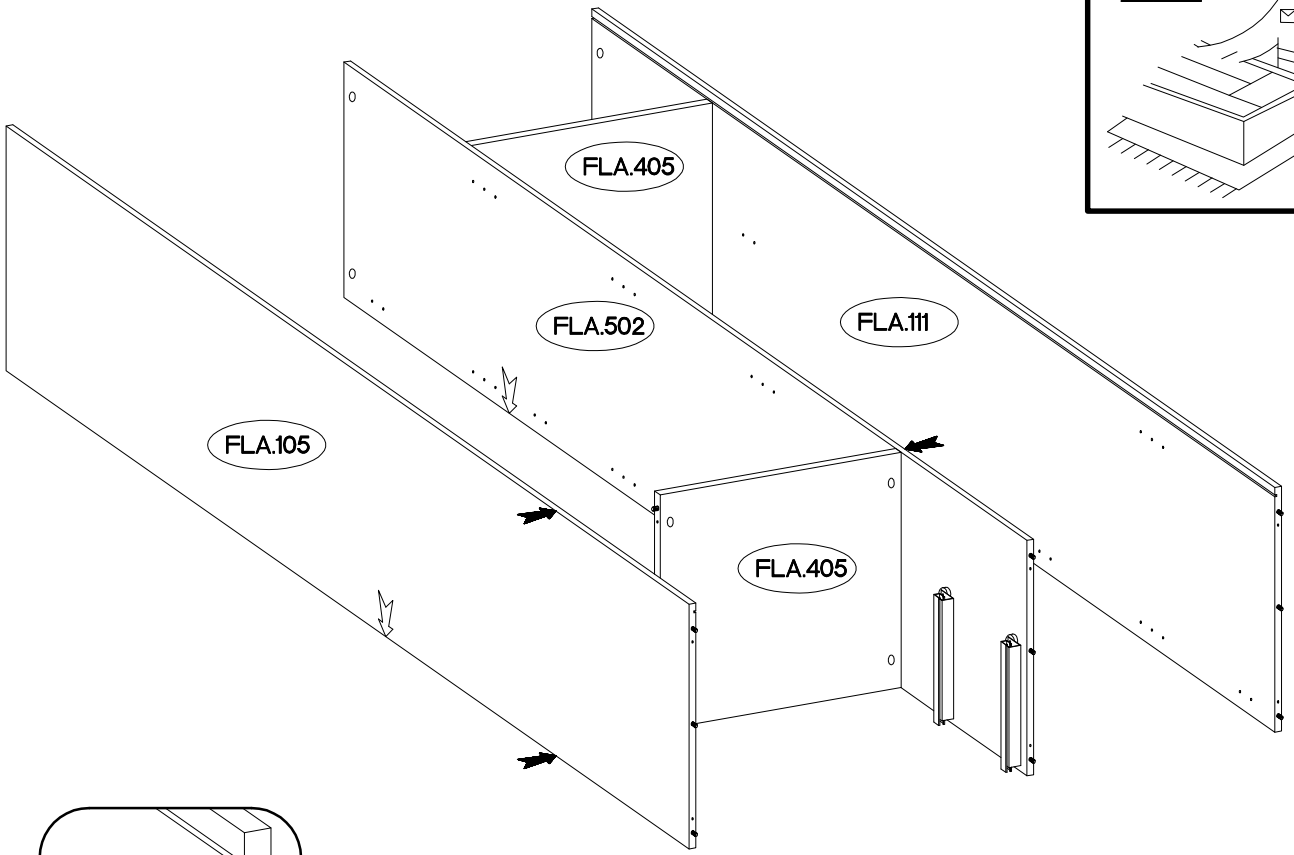
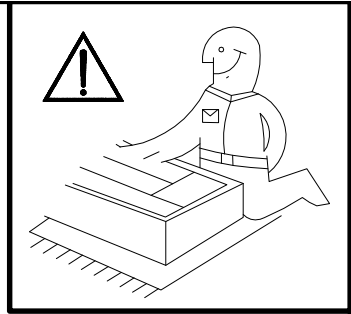
10



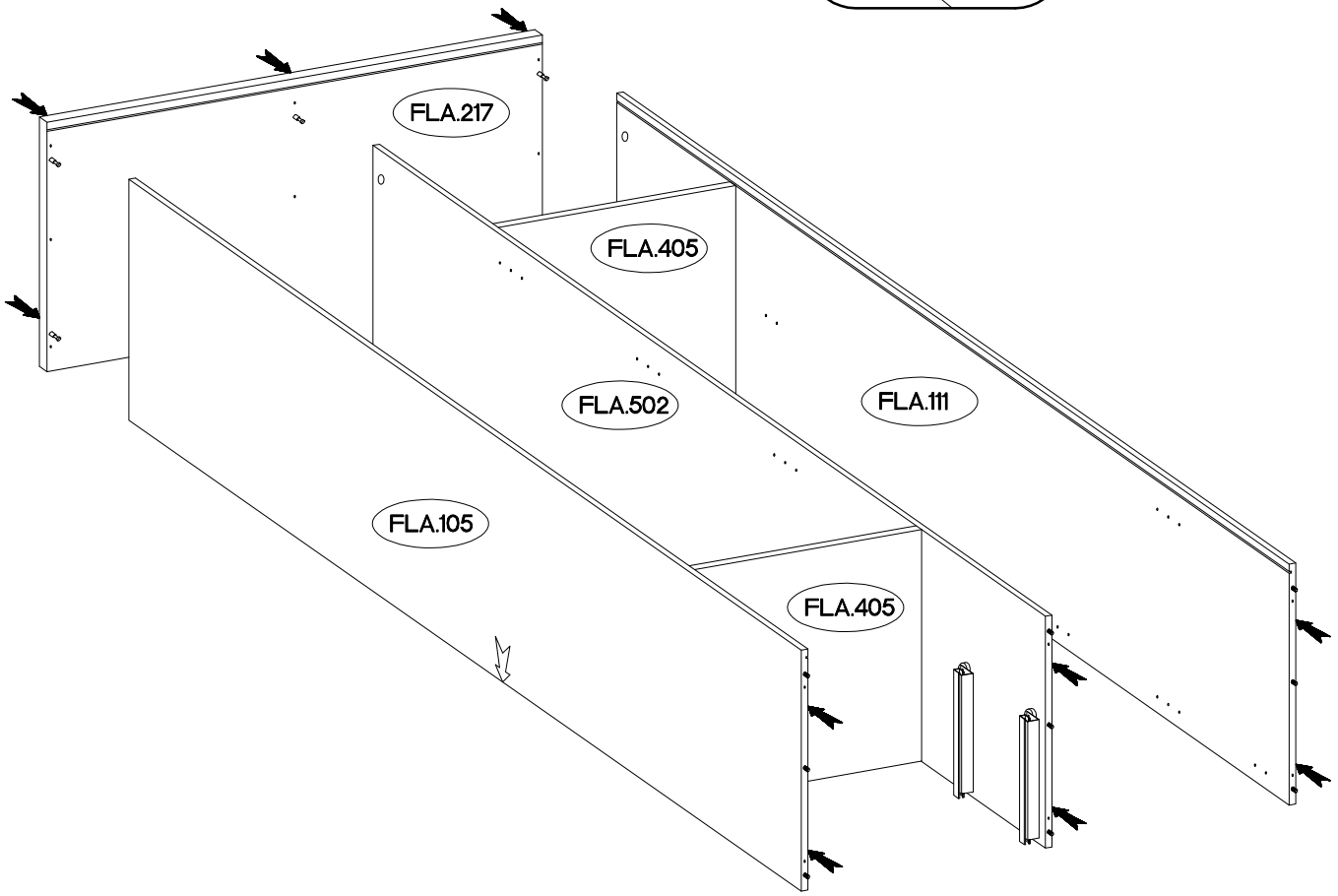
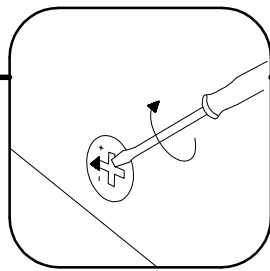
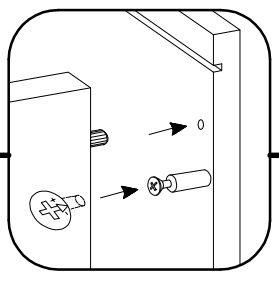
11

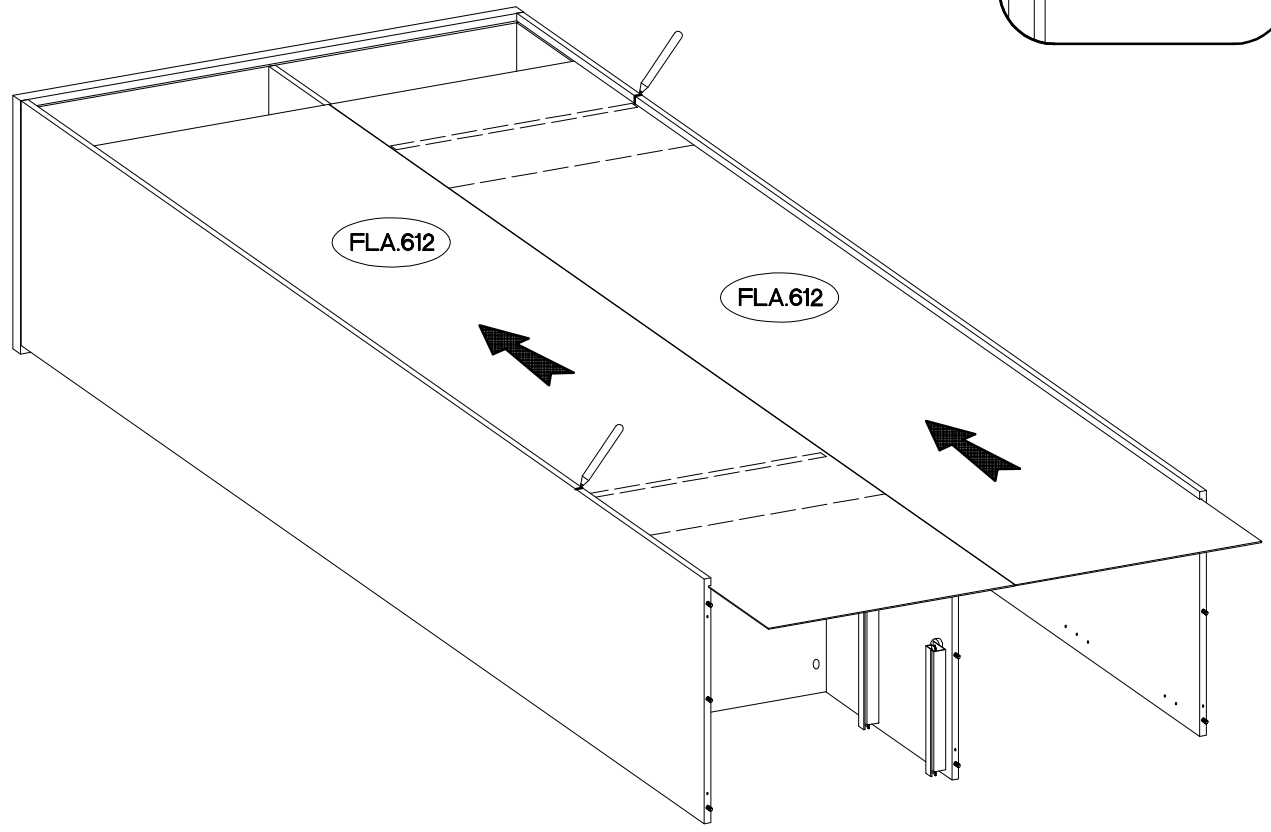
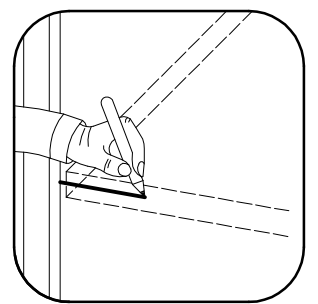
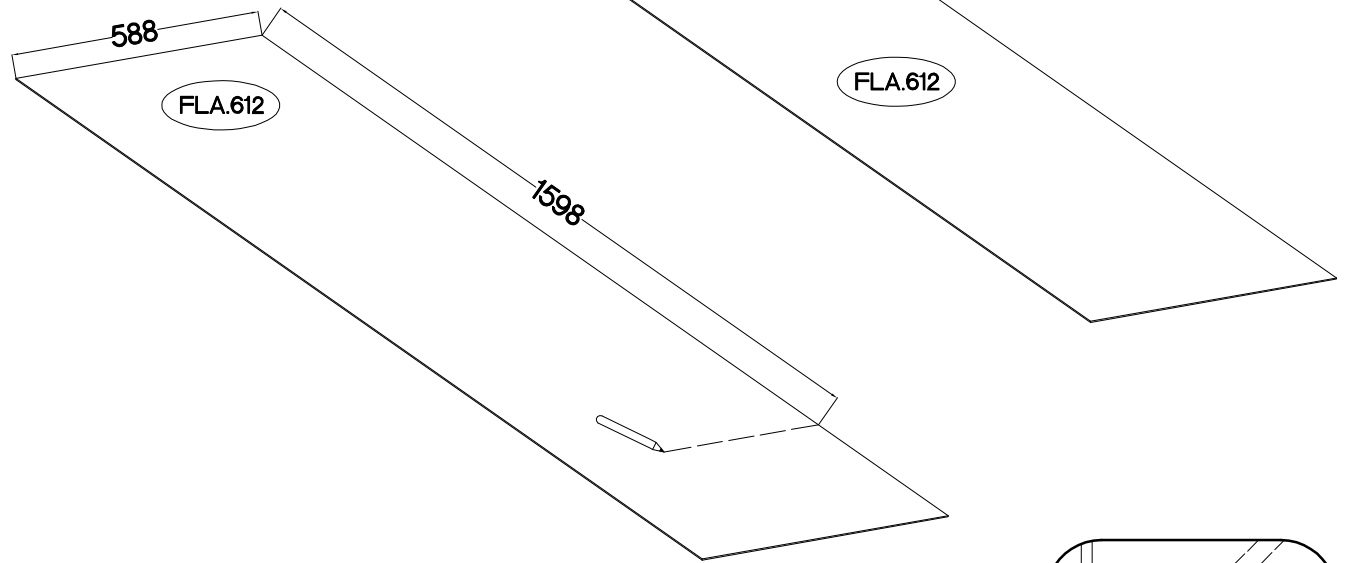
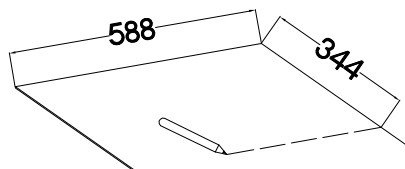
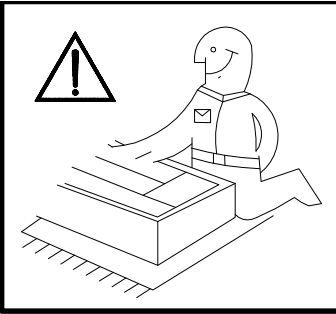


12

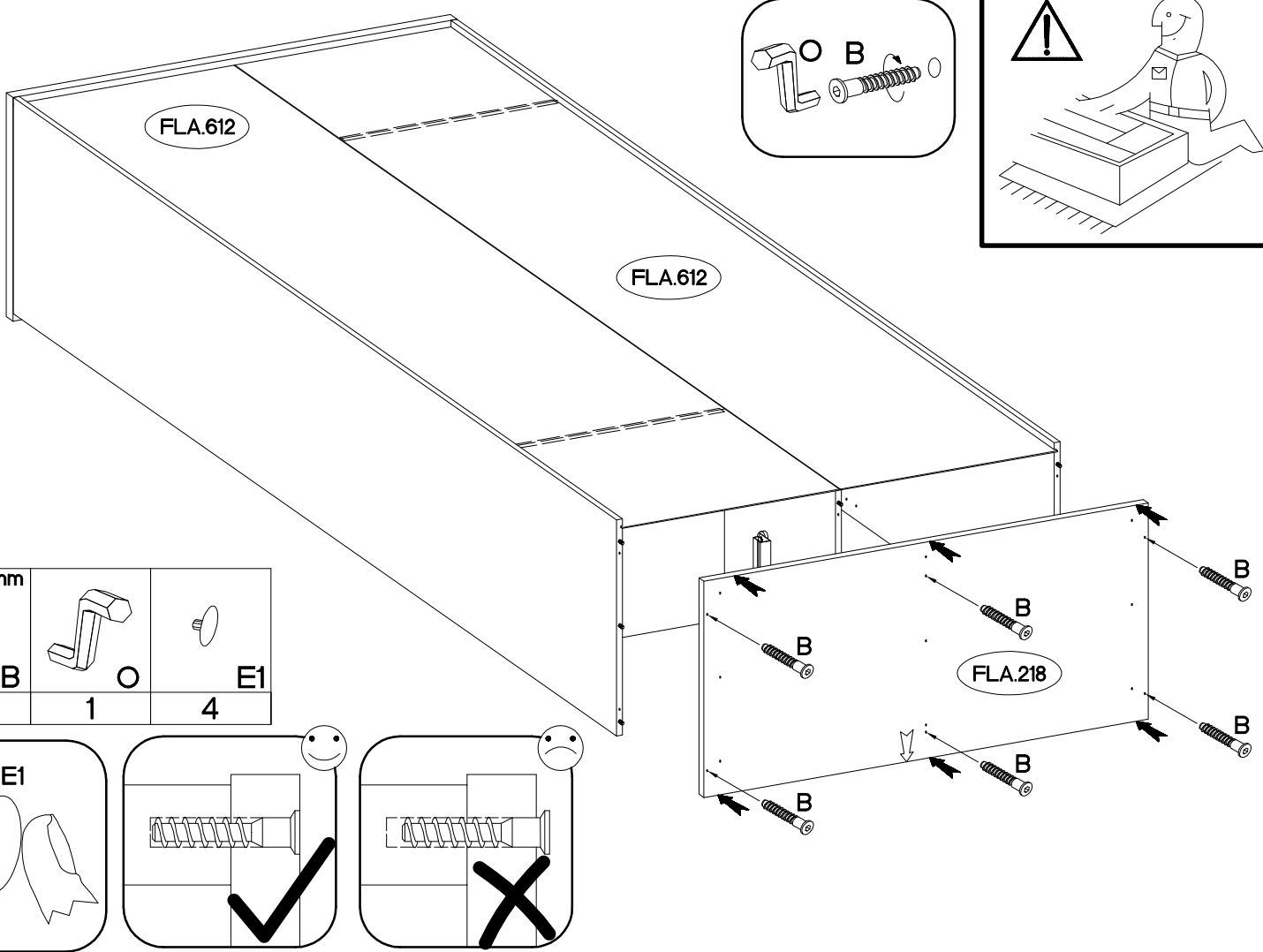


13

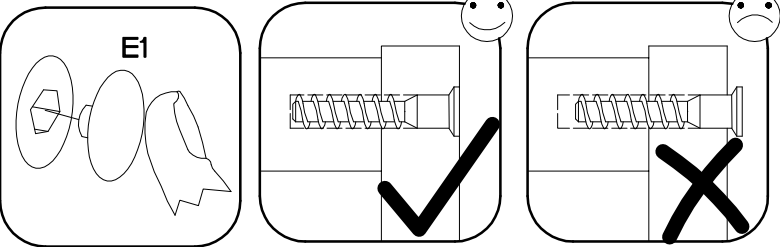




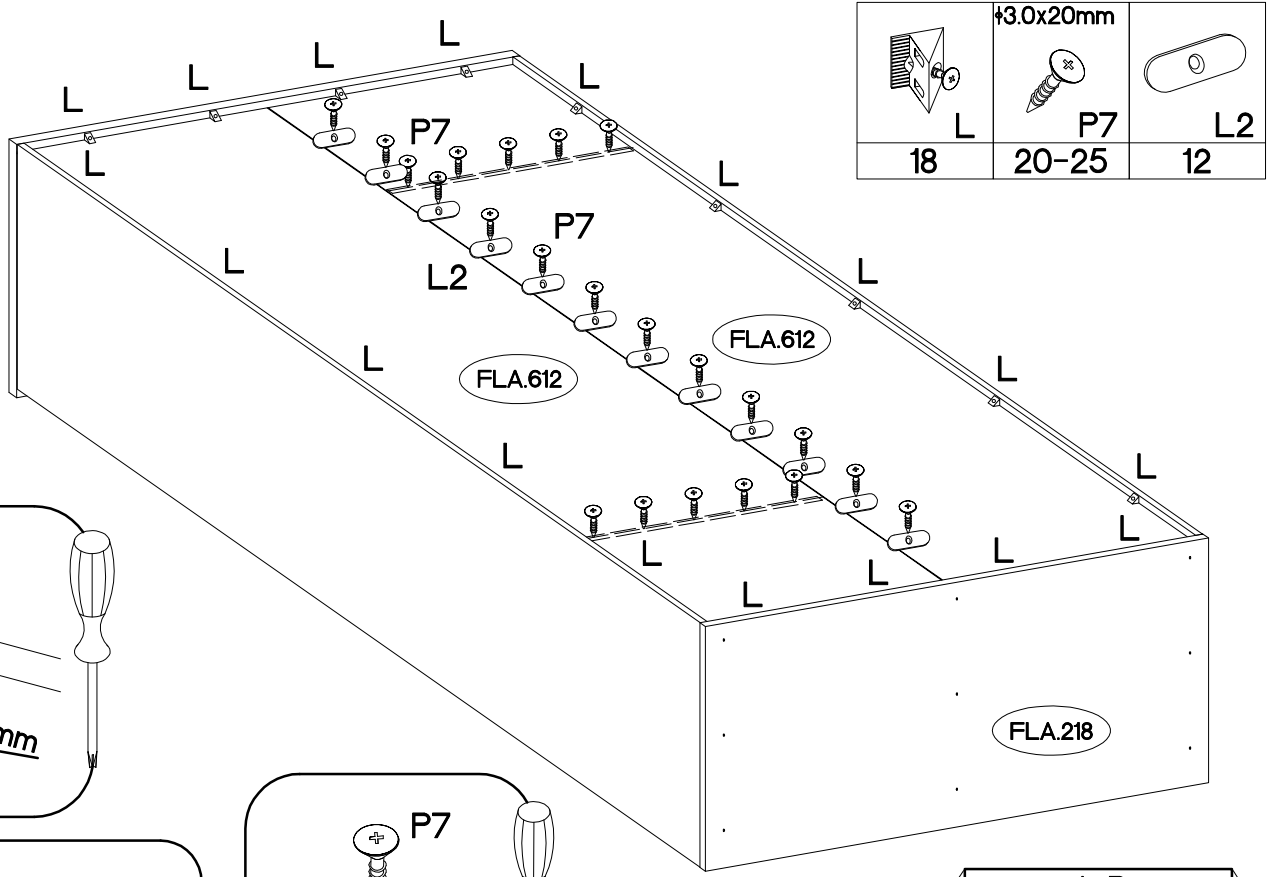
15



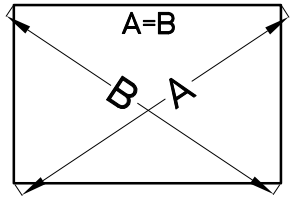
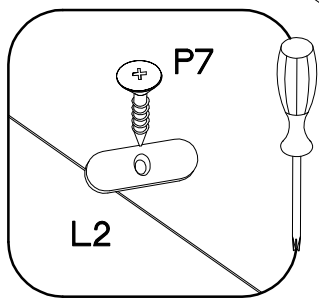
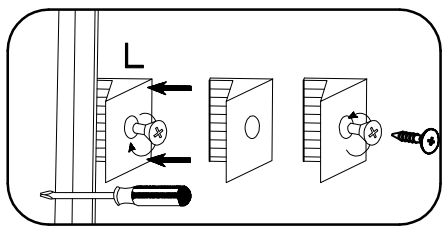
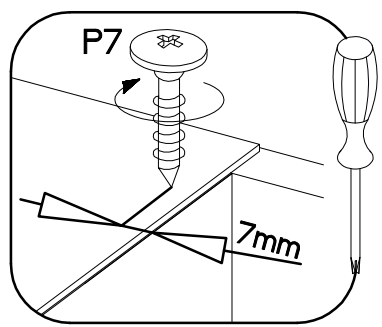
6,4 x 50mm		
B	O	E1
6	1	4



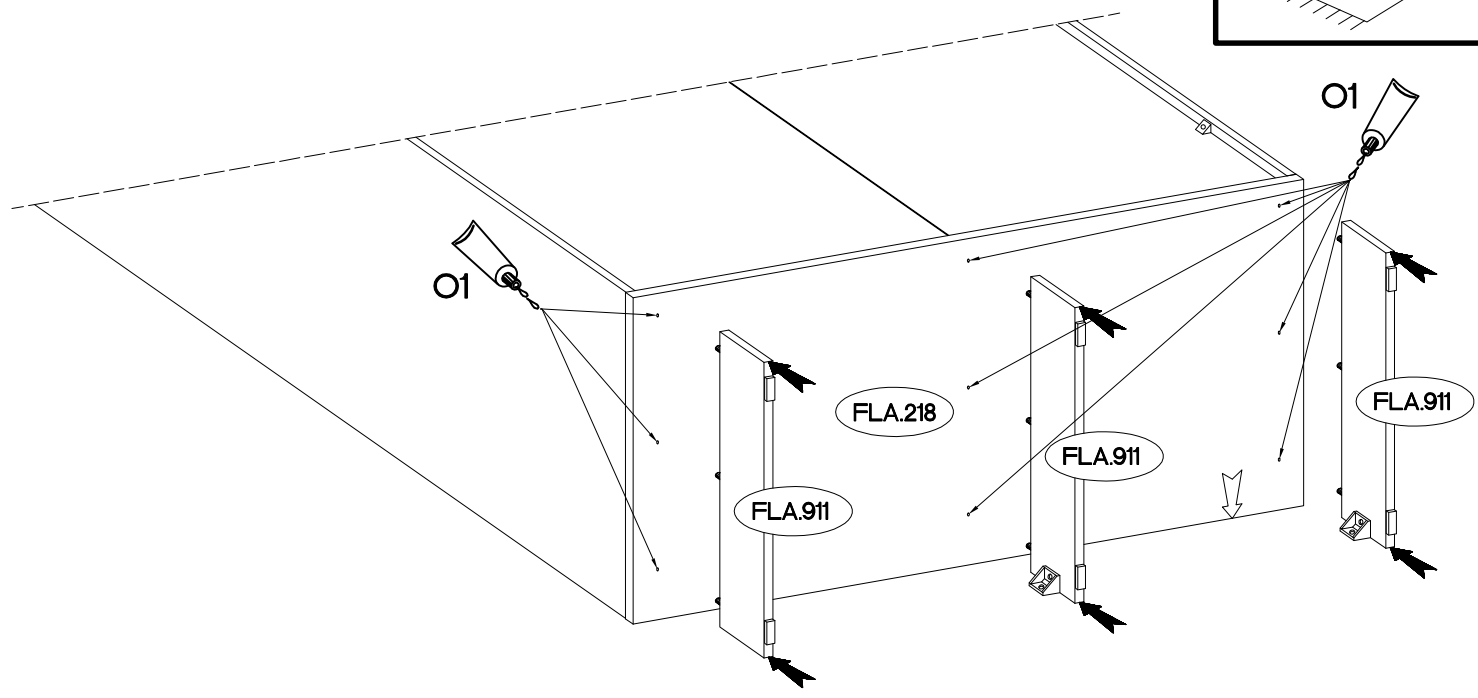
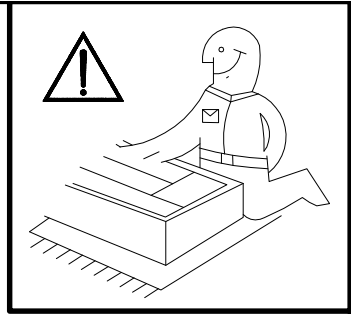
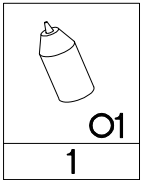
16



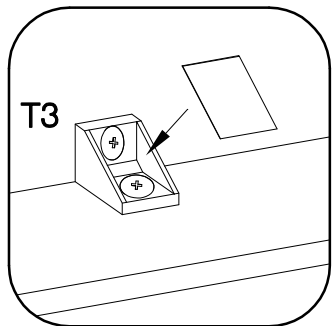
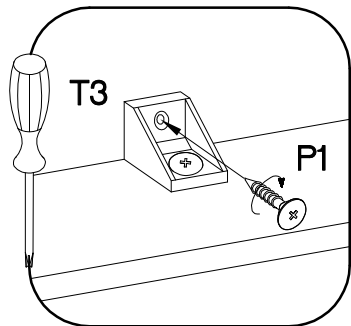
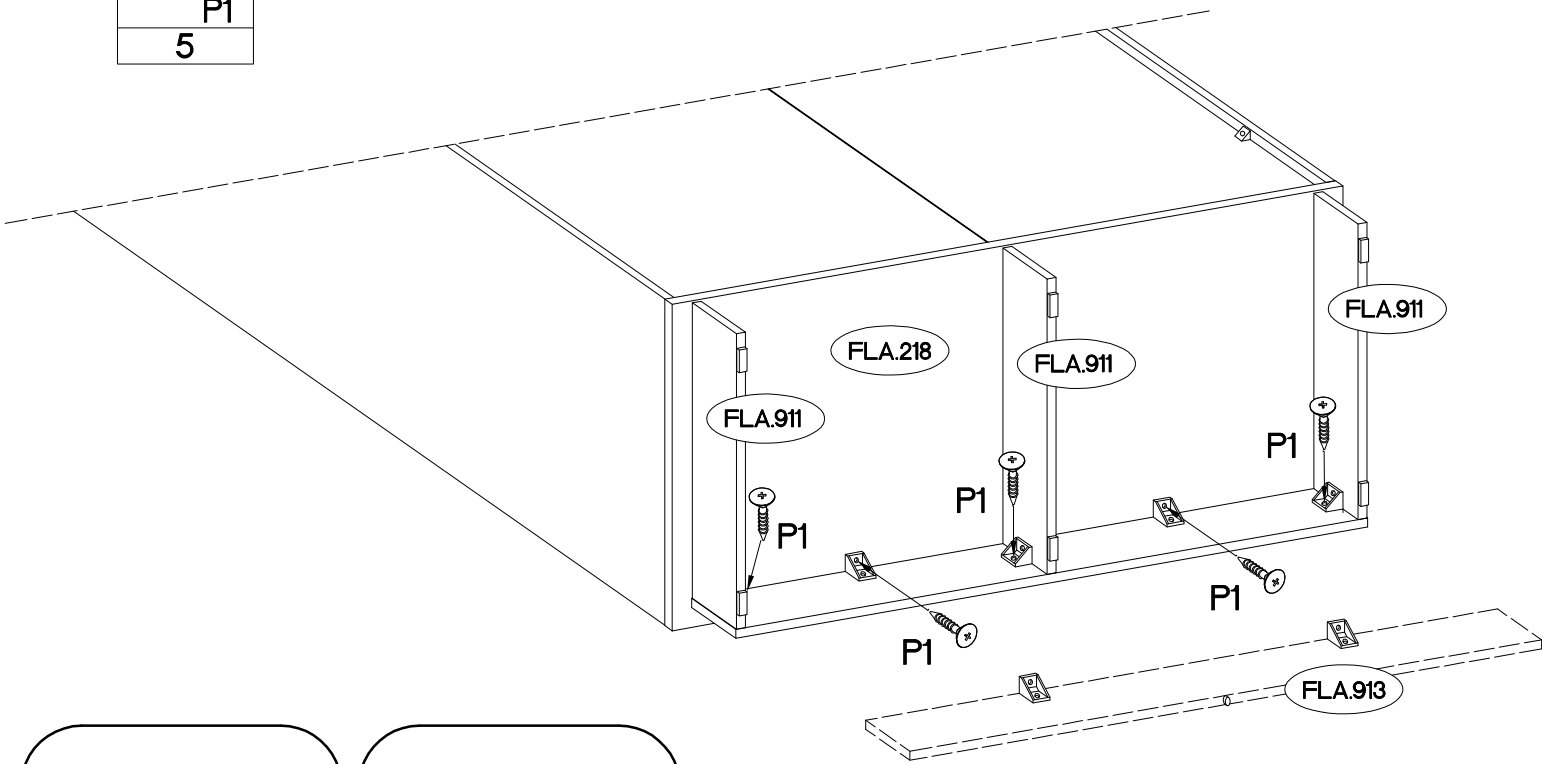
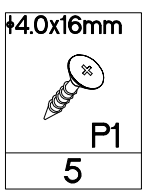
	±3.0x20mm	
L	P7	L2
18	20-25	12

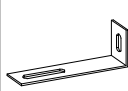

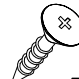



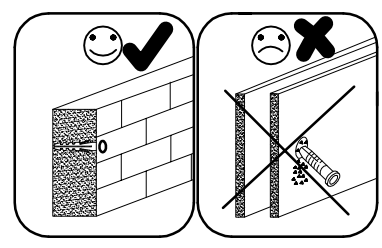
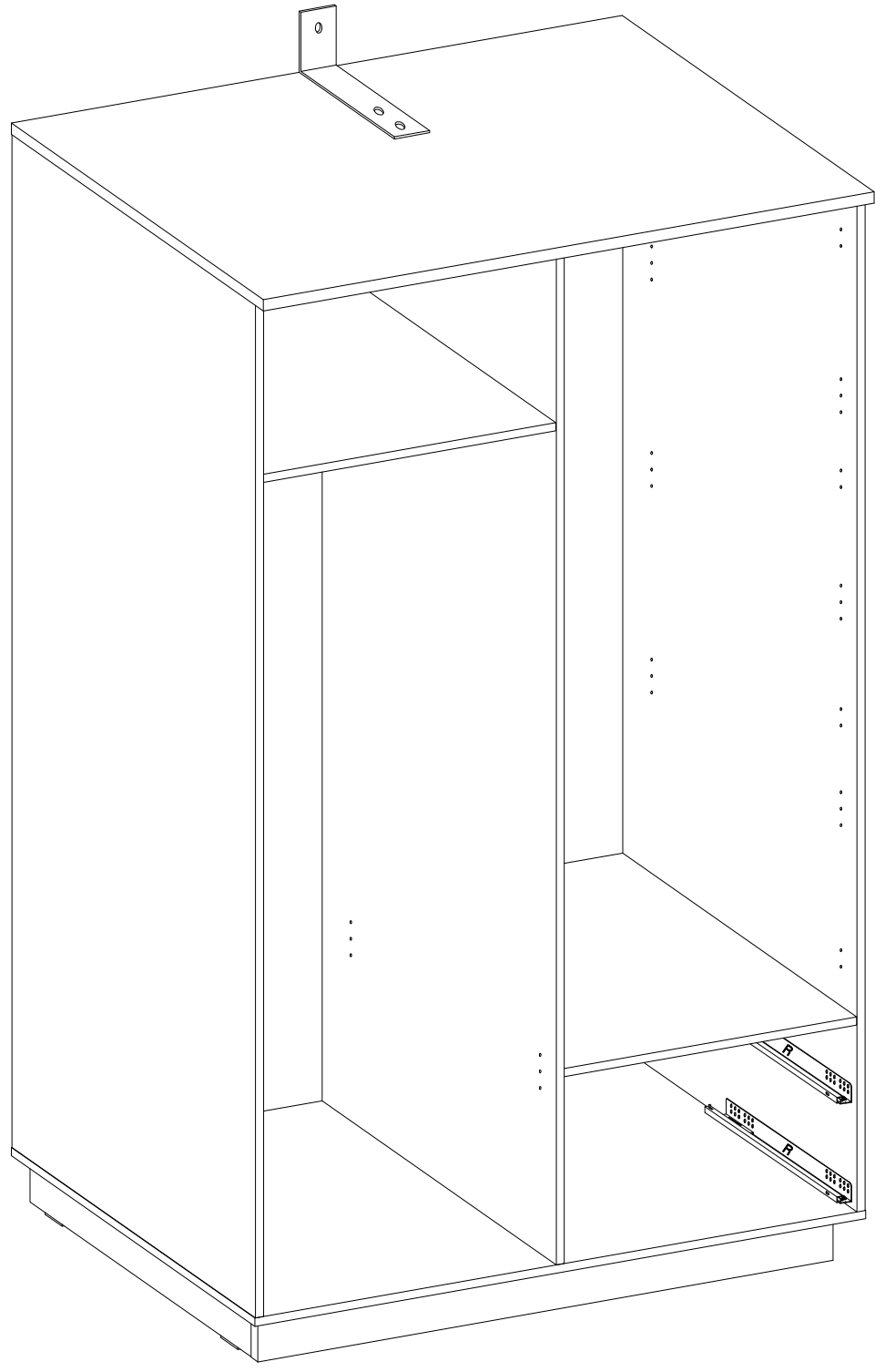
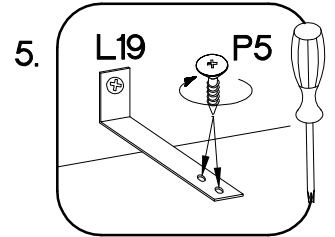
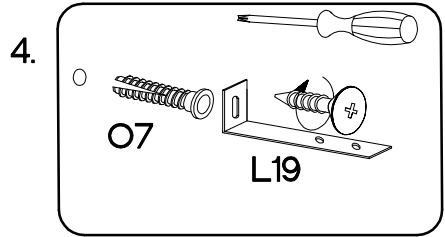
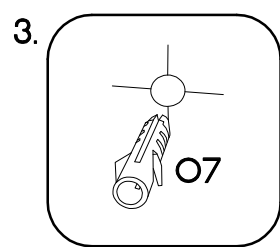
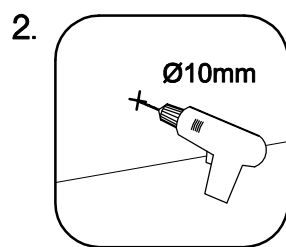
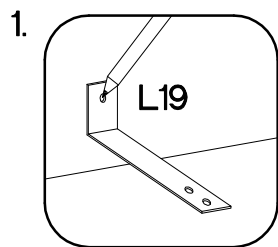
17

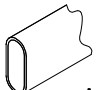





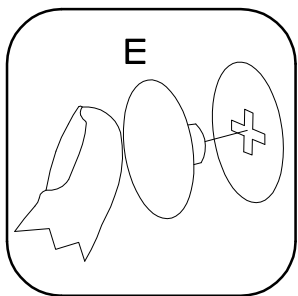
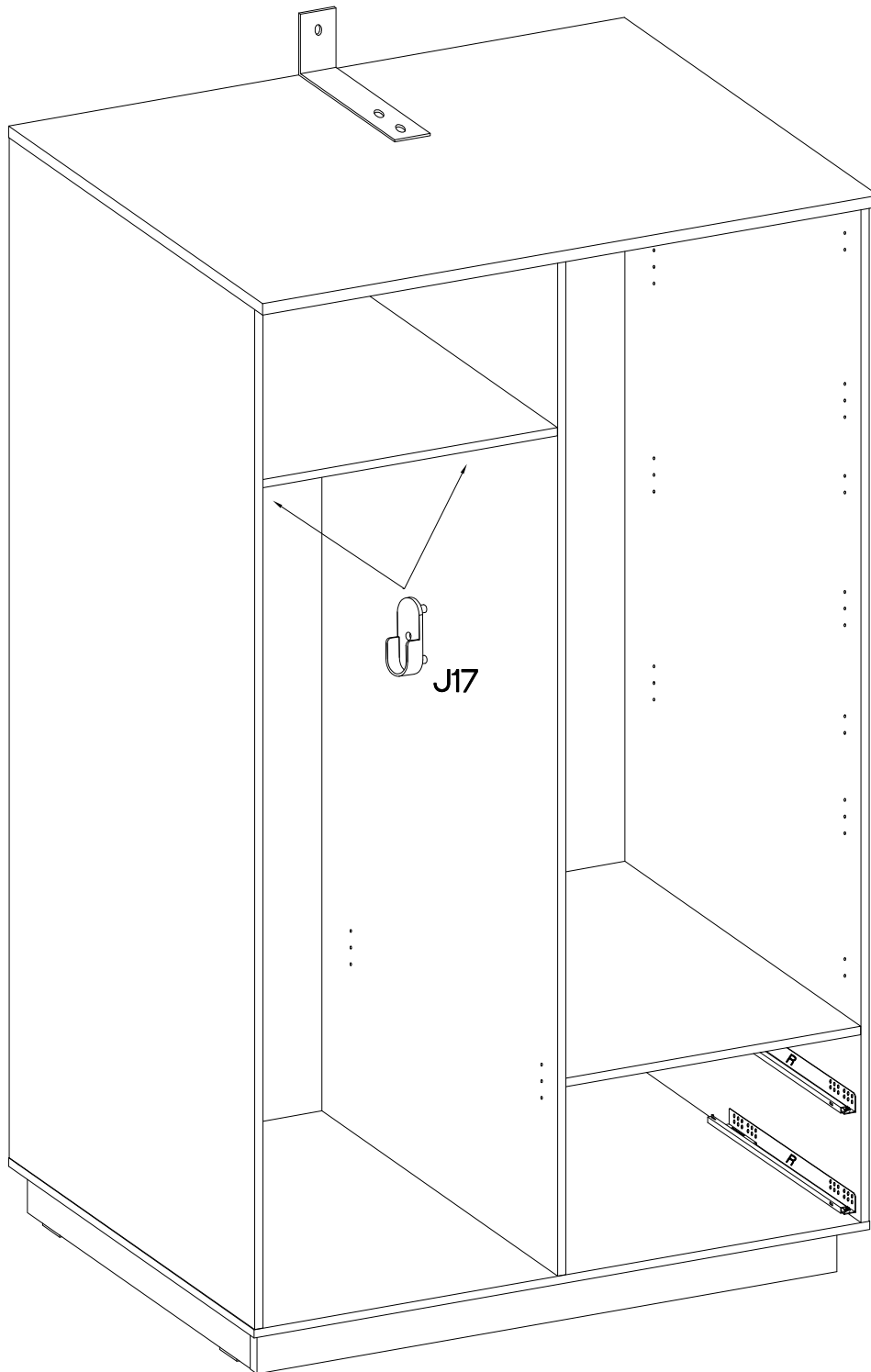
18



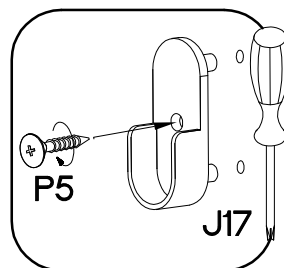
	↑3.5x13mm	↑5.0x60mm	↑10x50mm
			
L19	P5	P12	O7
1	2	1	1



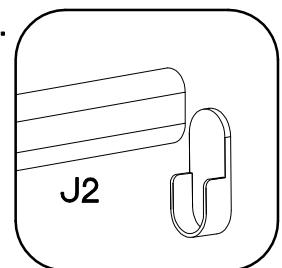
L=570mm  J2	 J17	φ3.5x13mm  P5	 E
1	2	2	14

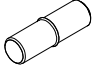


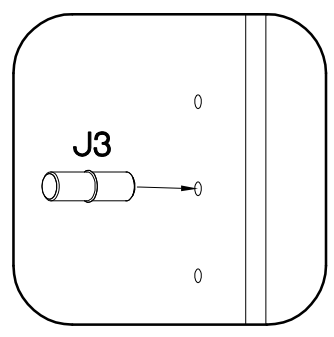
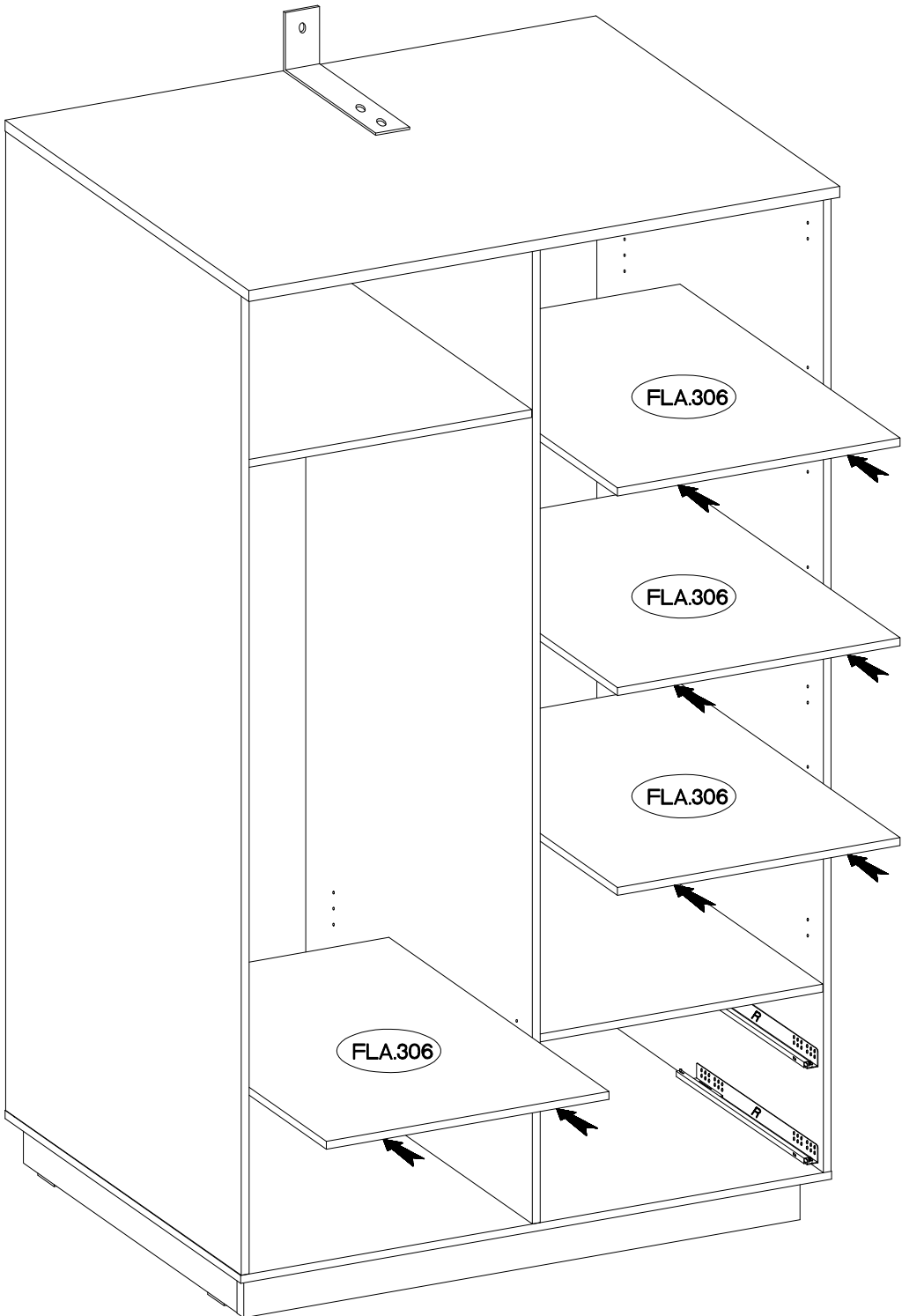
1.



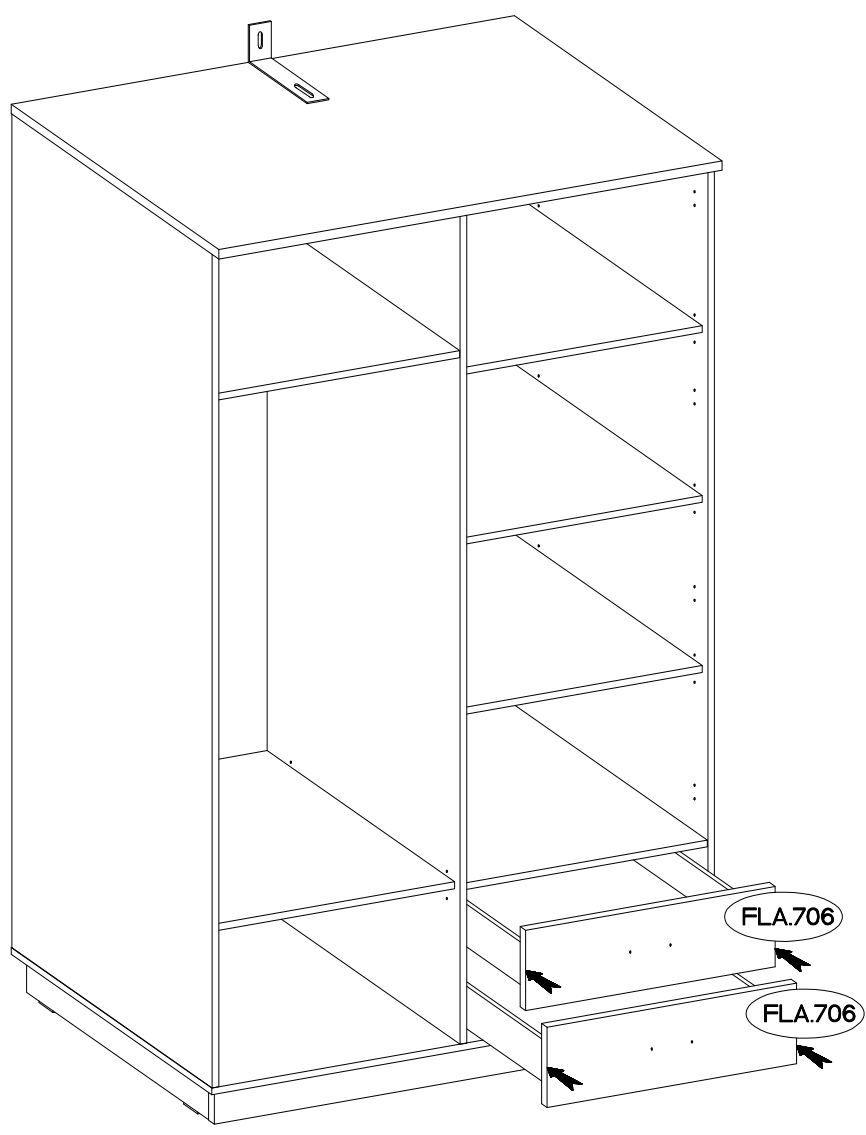
2.



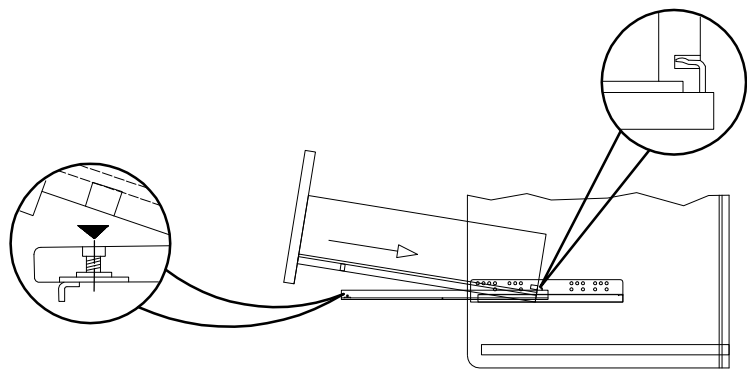
+5/16mm

J3
16



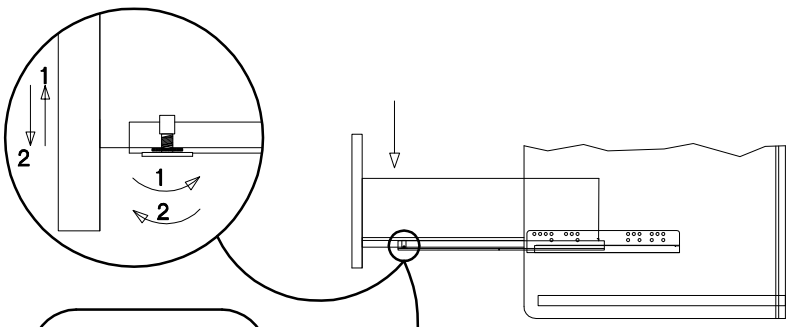
3.0x20mm
P7
6



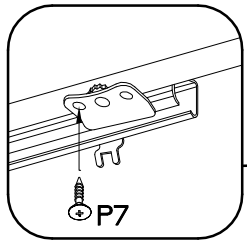
1.

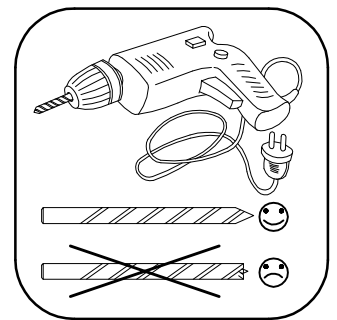
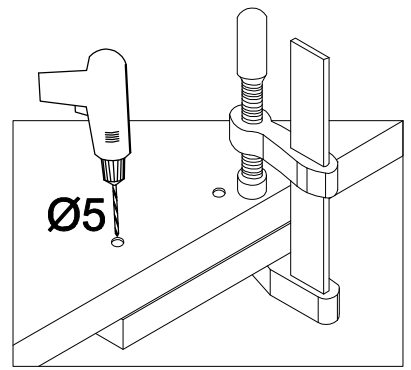
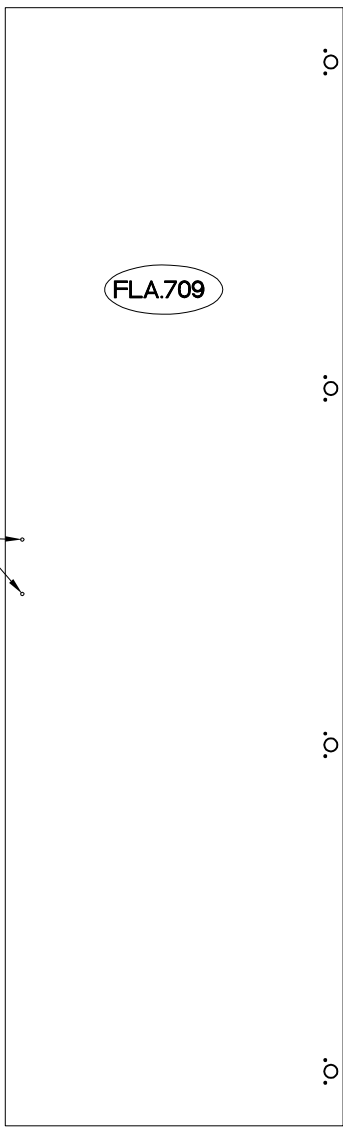


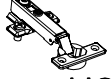

2.

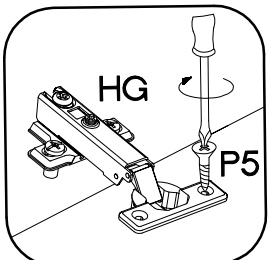
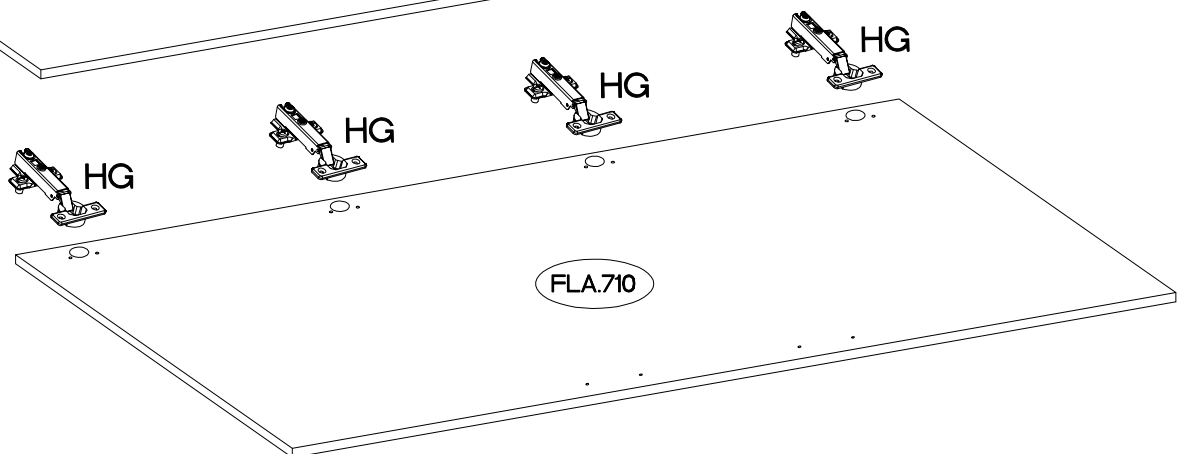
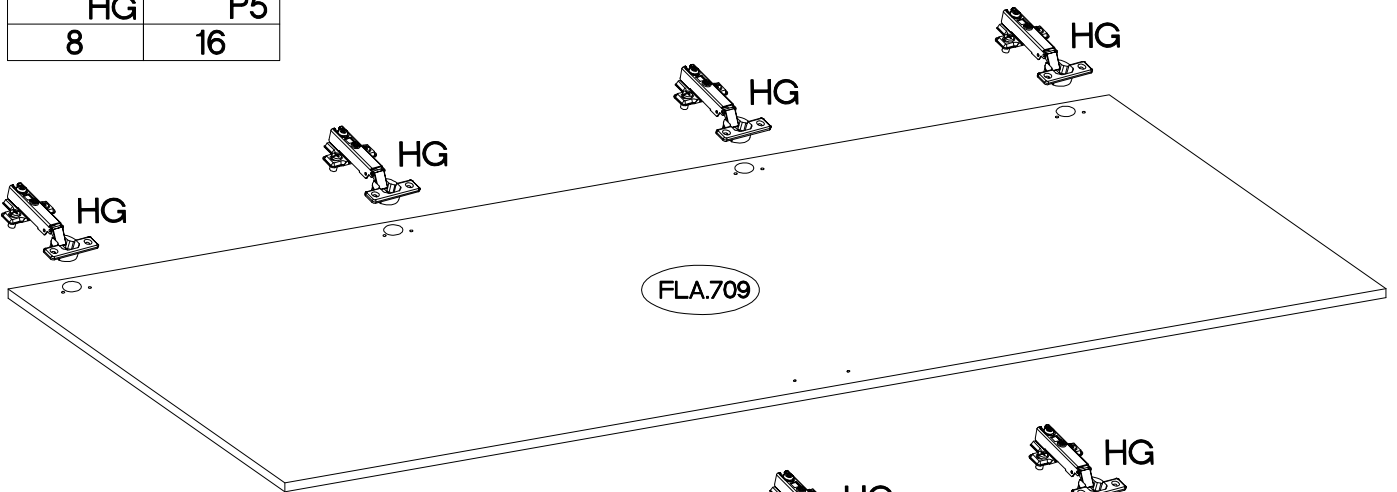


3.





+35/0mm  HG 8	+3.5x13mm  P5 16
-----------------------------------------------------------------------------------------------------------	--------------------------------------------------------------------------------------------------------------



M4x22mm



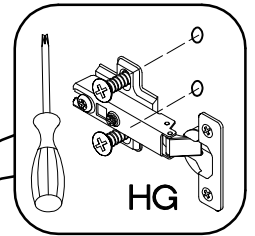
U

8

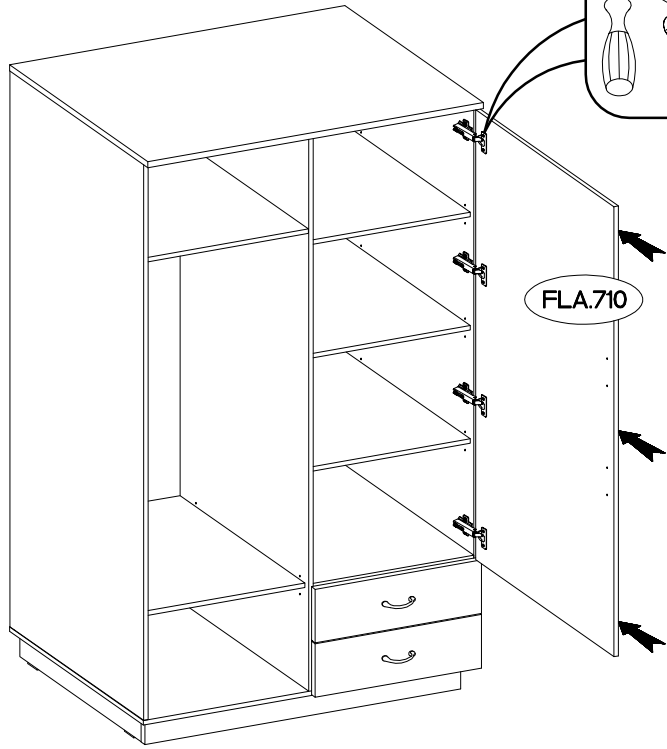


S

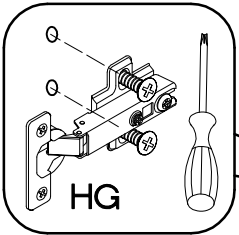
4



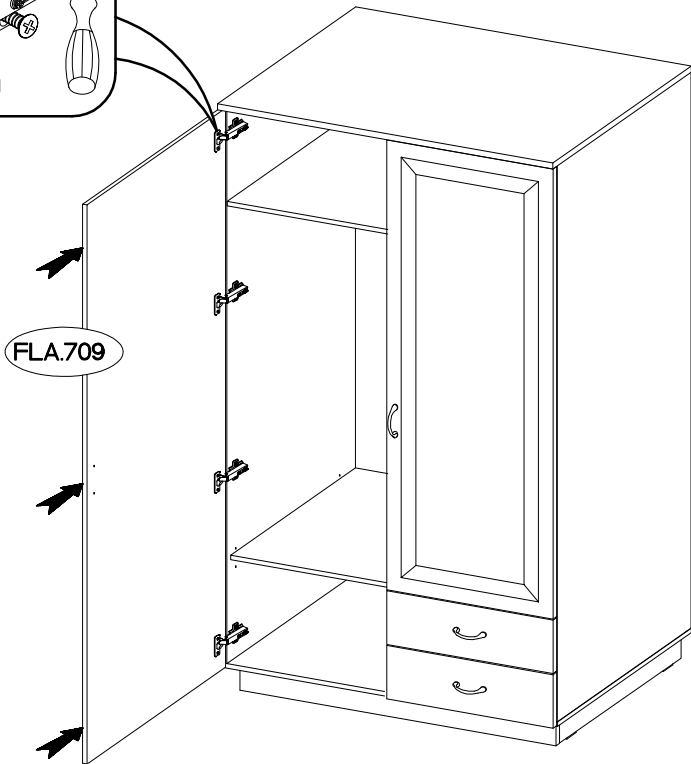
HG



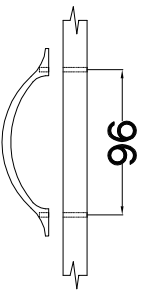
FLA.710



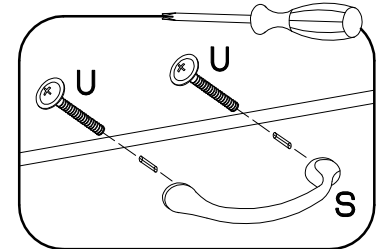
HG



FLA.709



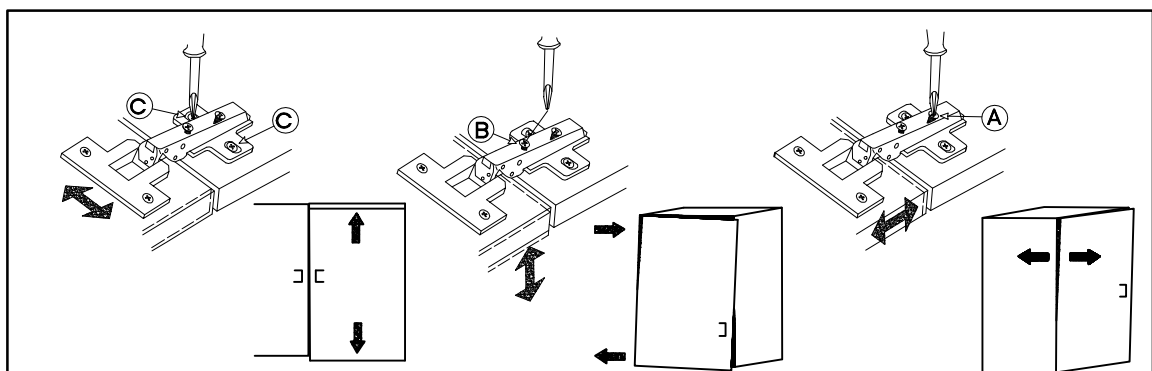
96



U

U

S



C

C

↑

↓

B

B

↑

↓

A

A

←

→