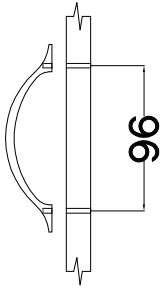
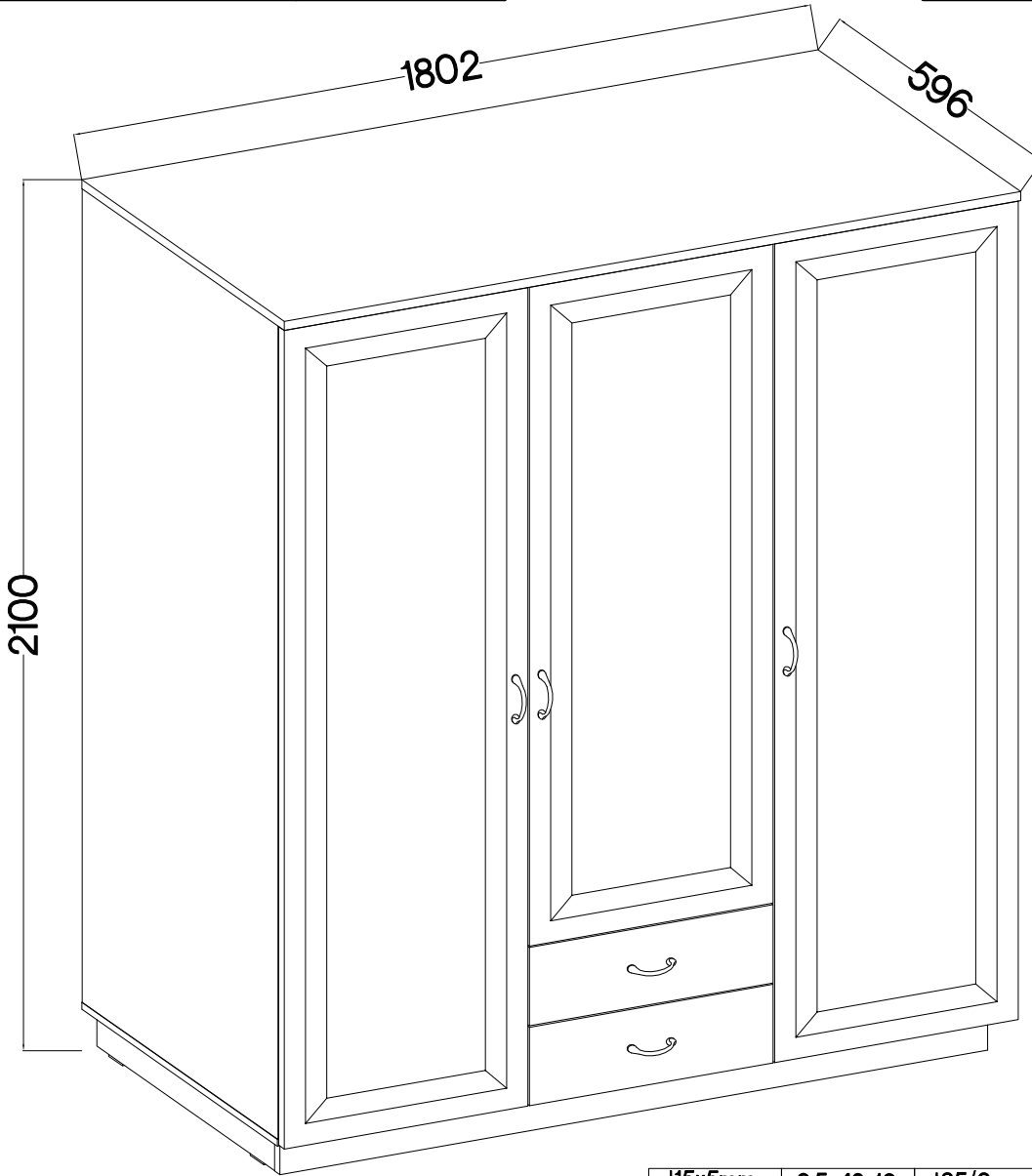
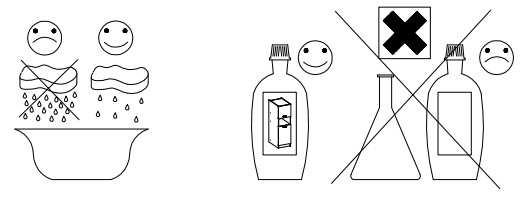


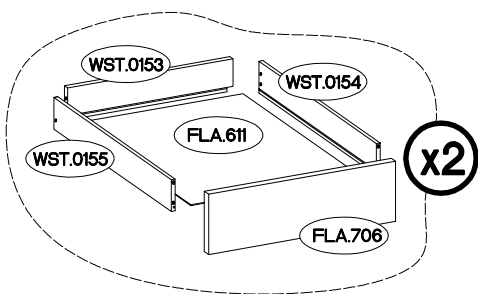
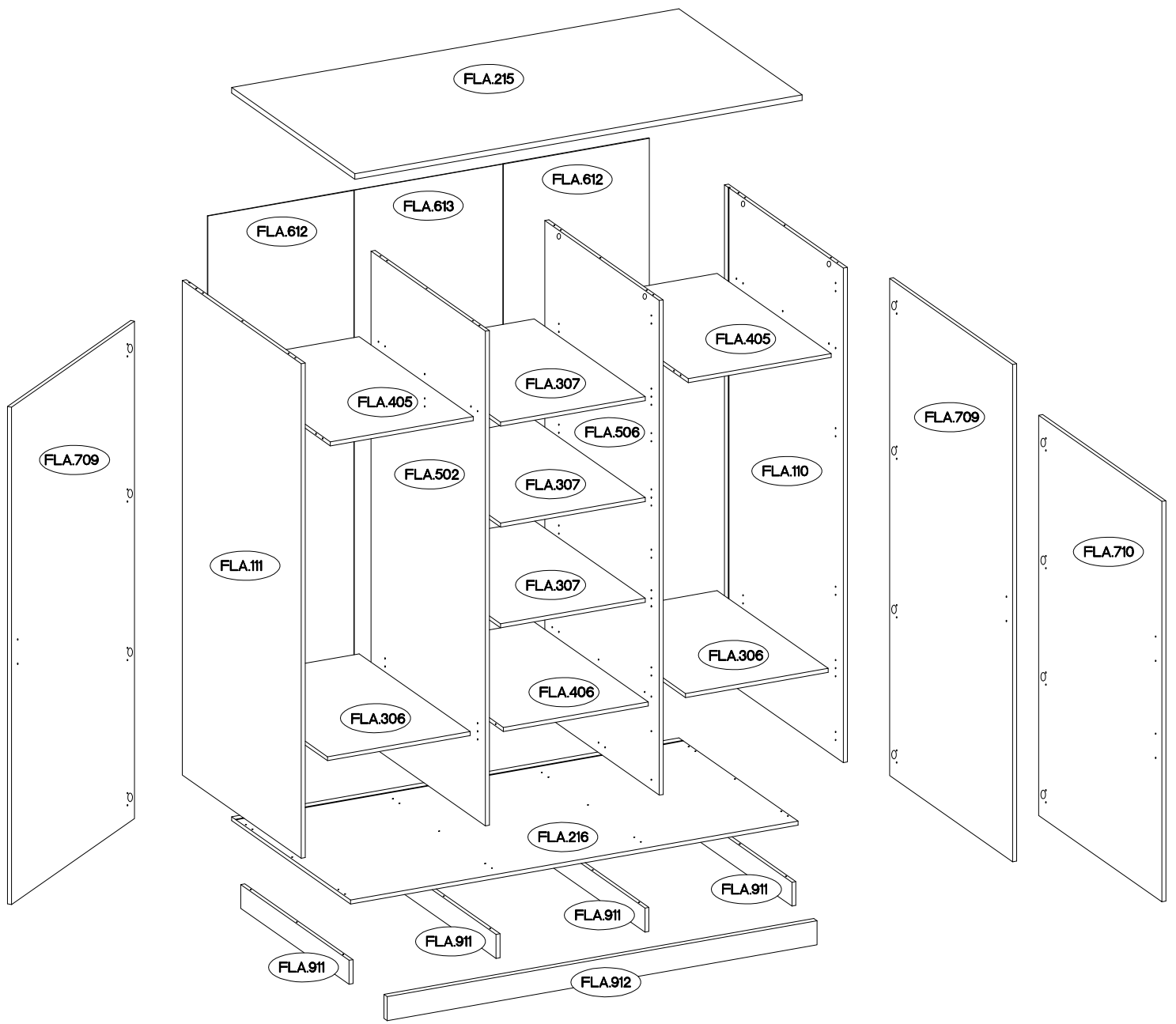
120 min



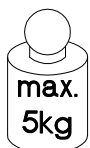
	±8x30mm	6,4 x 50mm
	A	B
	62	8
±6x42mm	±15/12mm	±12/10mm
B2	C	C5
4	20	4
L=20mm		
D2	E	E1
24	20	4

±15x5mm	6.5x48x16	±35/0mm	±35/9mm H=0	L=450mm	
F4	F22	HG	HG1	I11	
2	8	8	4	2	

L=570mm	±5/16mm	±20/8mm					±6.3x20mm			±10x50mm
J2	J3	J14	J17	L	L2	L19	M3	O	O1	O7
2	20	12	4	24	24	2	12	1	2	2
±4.0x16mm	±3.5x13mm	±3.0x20mm	±5.0x60mm			M4x22mm				
P1	P5	P7	P12	S	T3	U				
14	32	40-45	2	5	7	10				



FLA.611




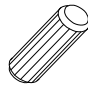

FLA.306

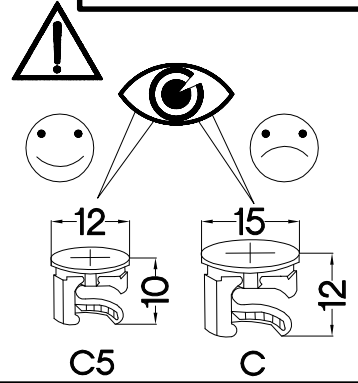
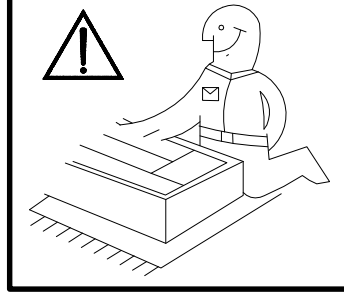
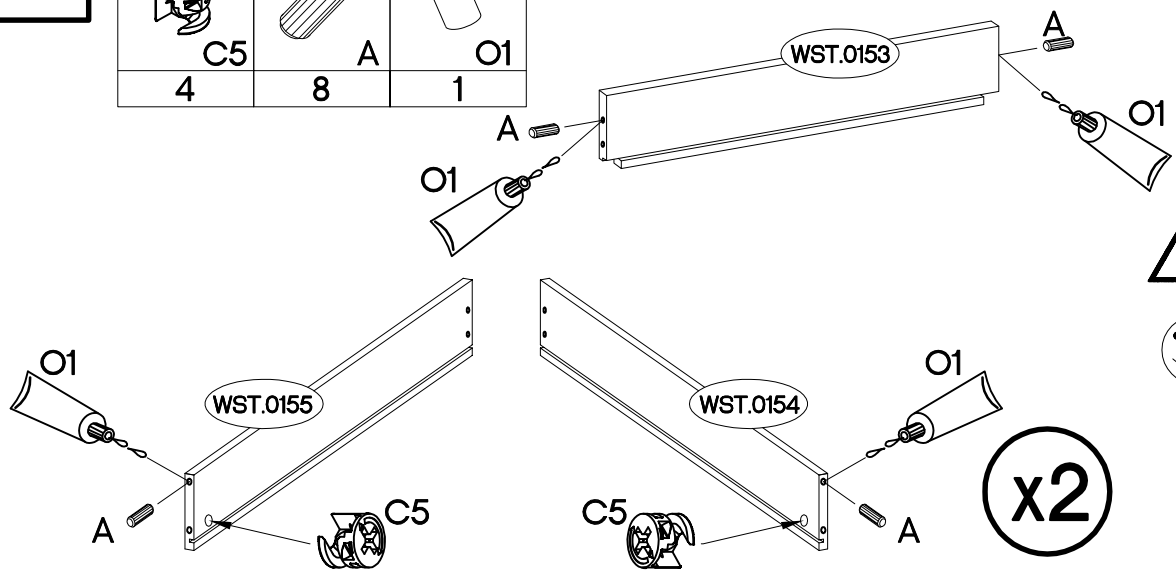
FLA.307

FLA.405

FLA.406

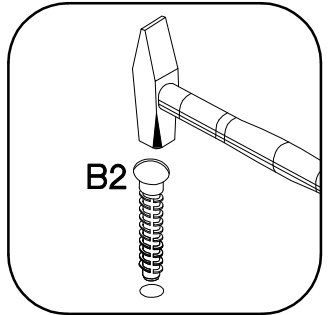
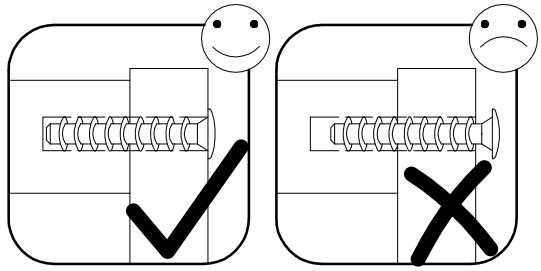
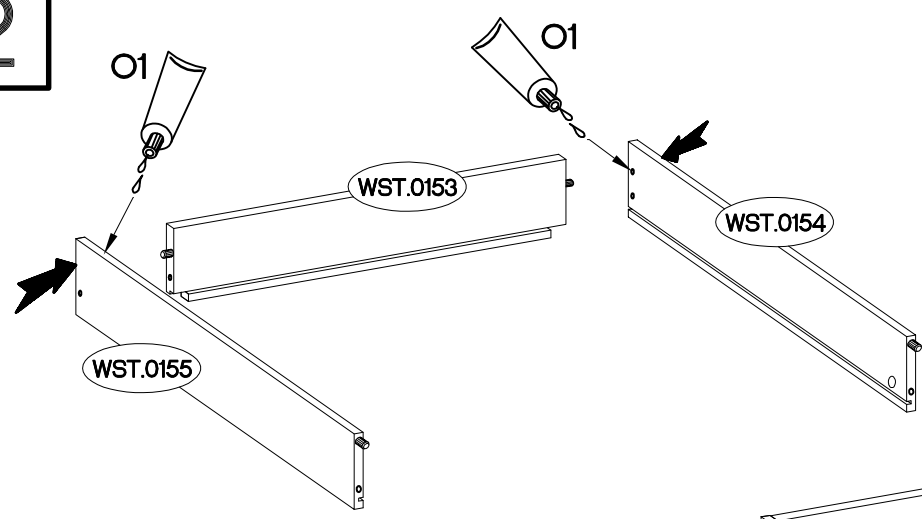
1



±12/10mm  C5 4	±8x30mm  A 8	 O1 1
---	---	---

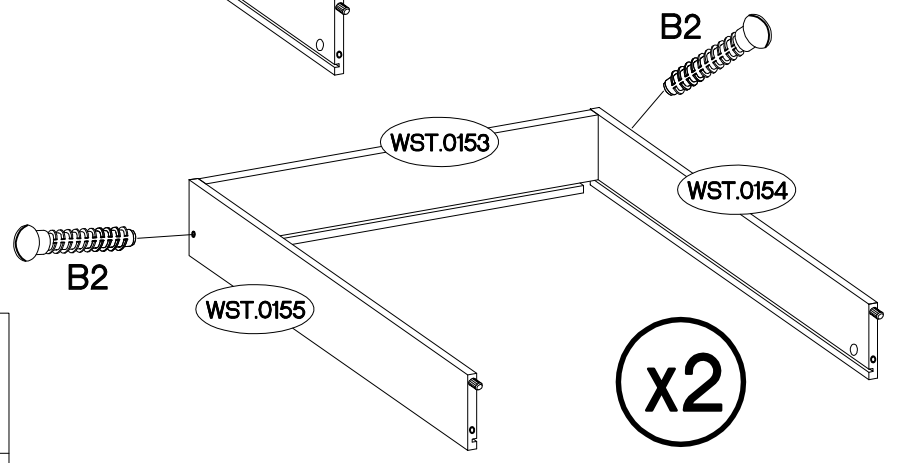


x2

2




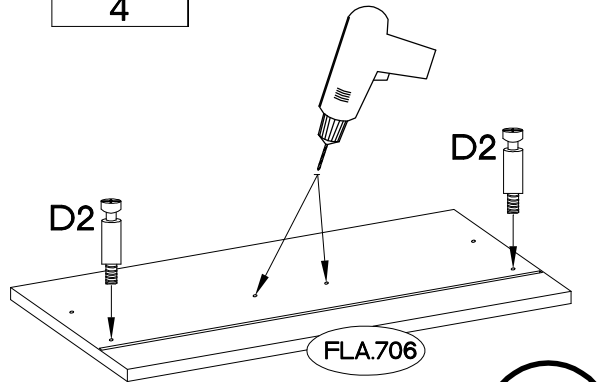
±6x42mm  B2 4	 O1 1
---	--



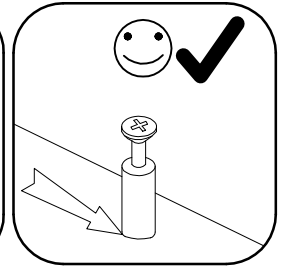
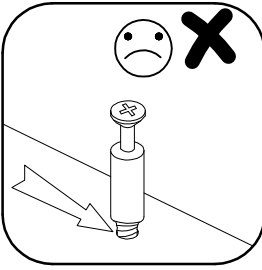
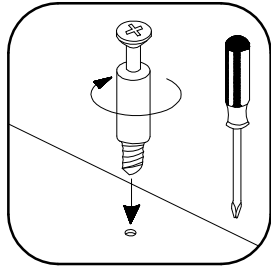
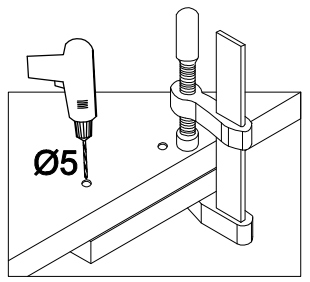
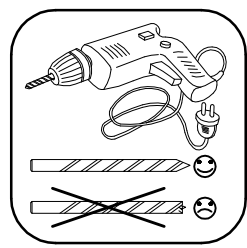
x2

3

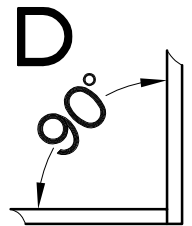
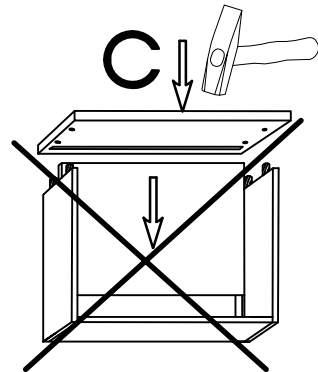
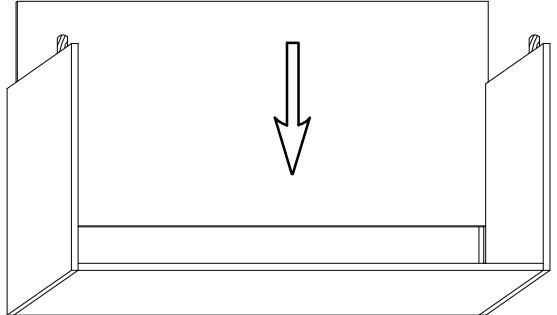
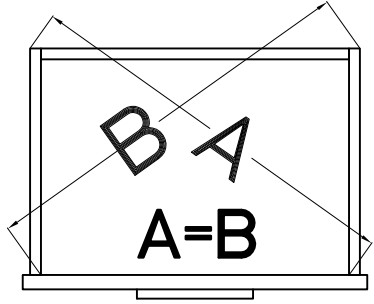
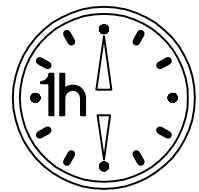
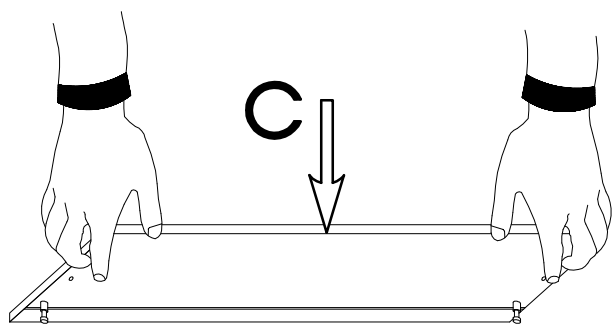
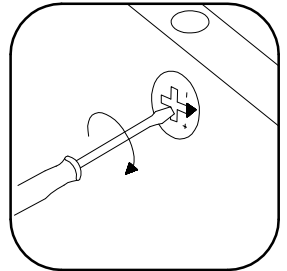
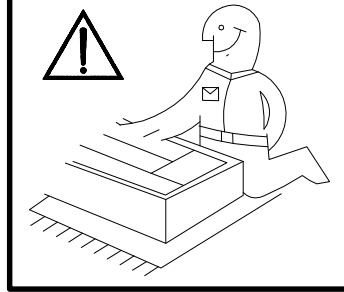
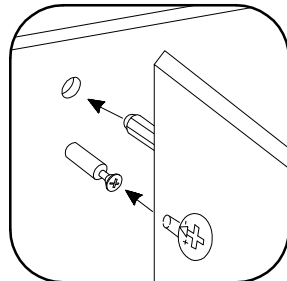
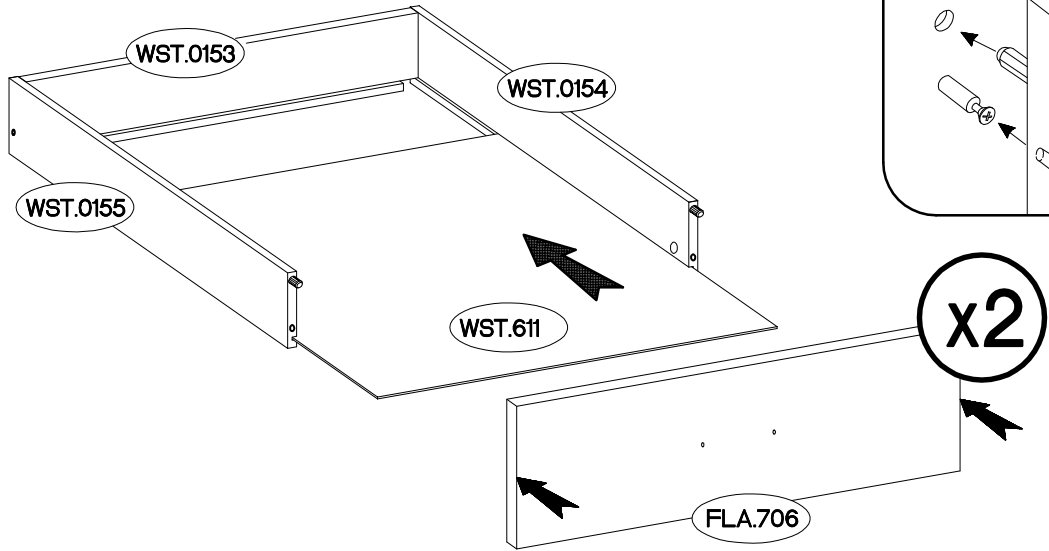
L=20mm  D2 4
--



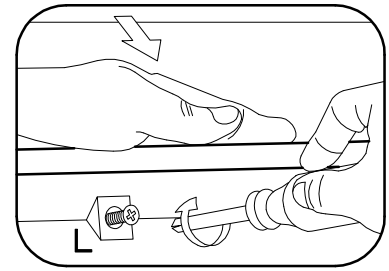
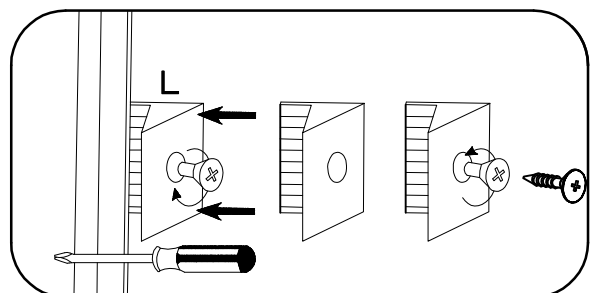
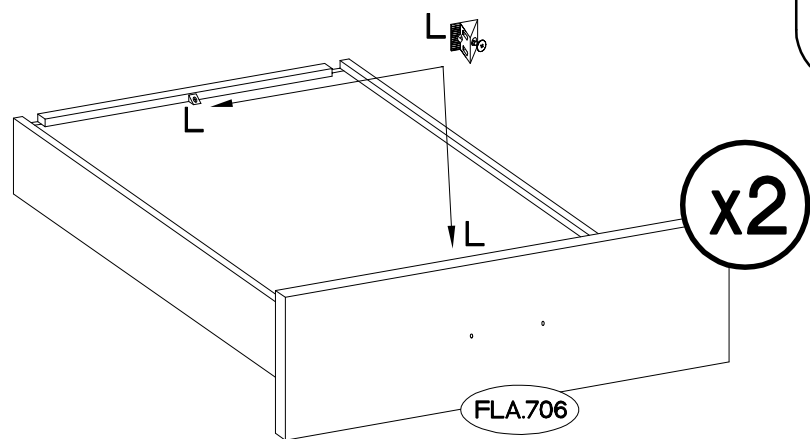
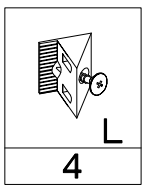
x2






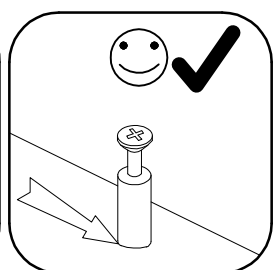
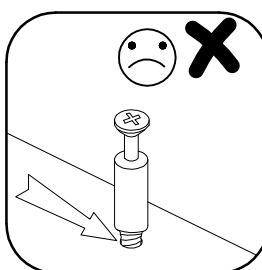
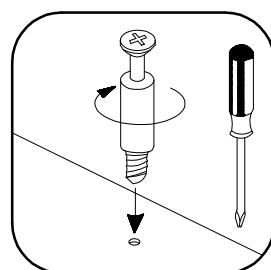
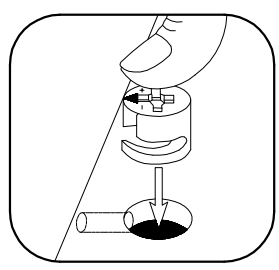
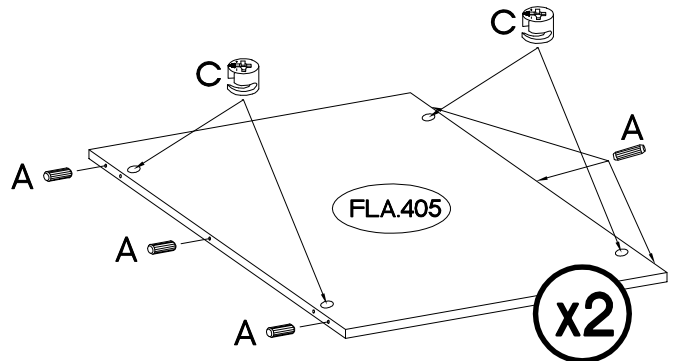
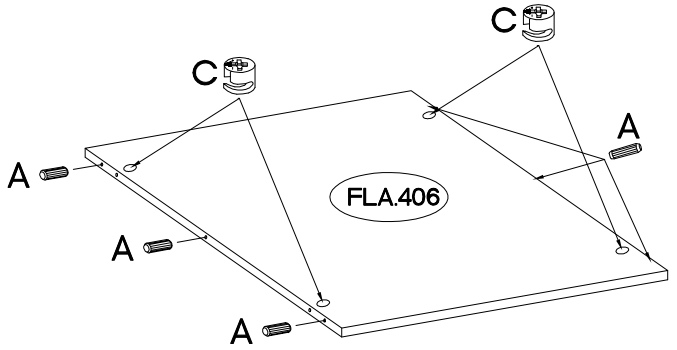
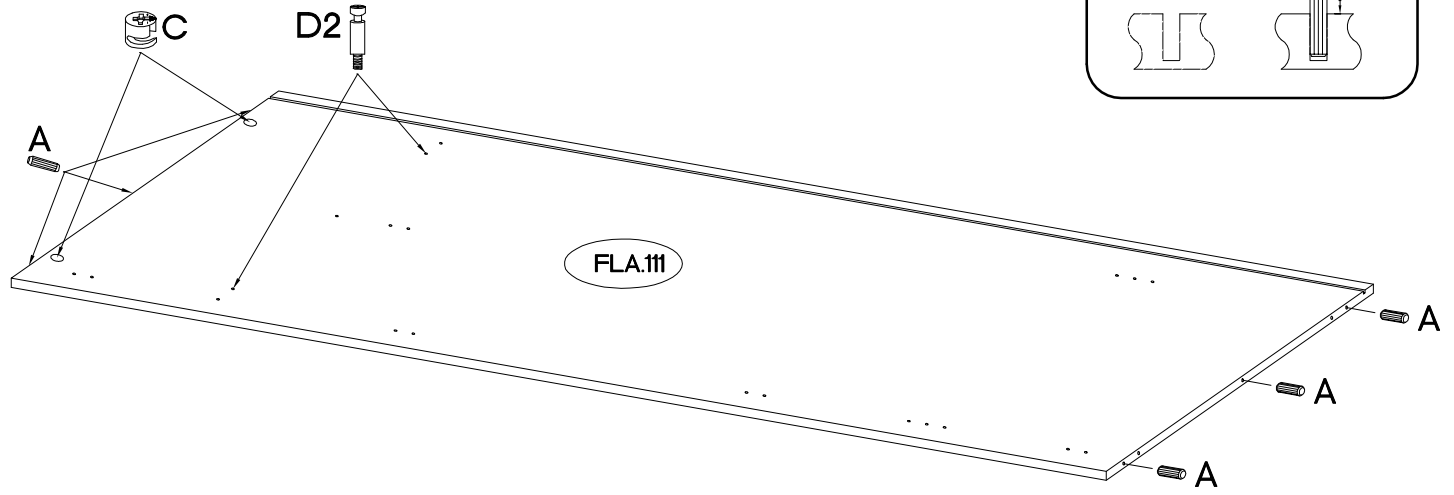
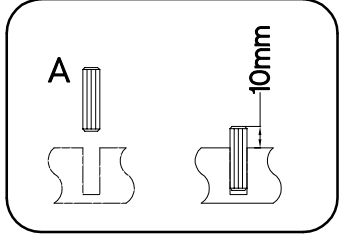
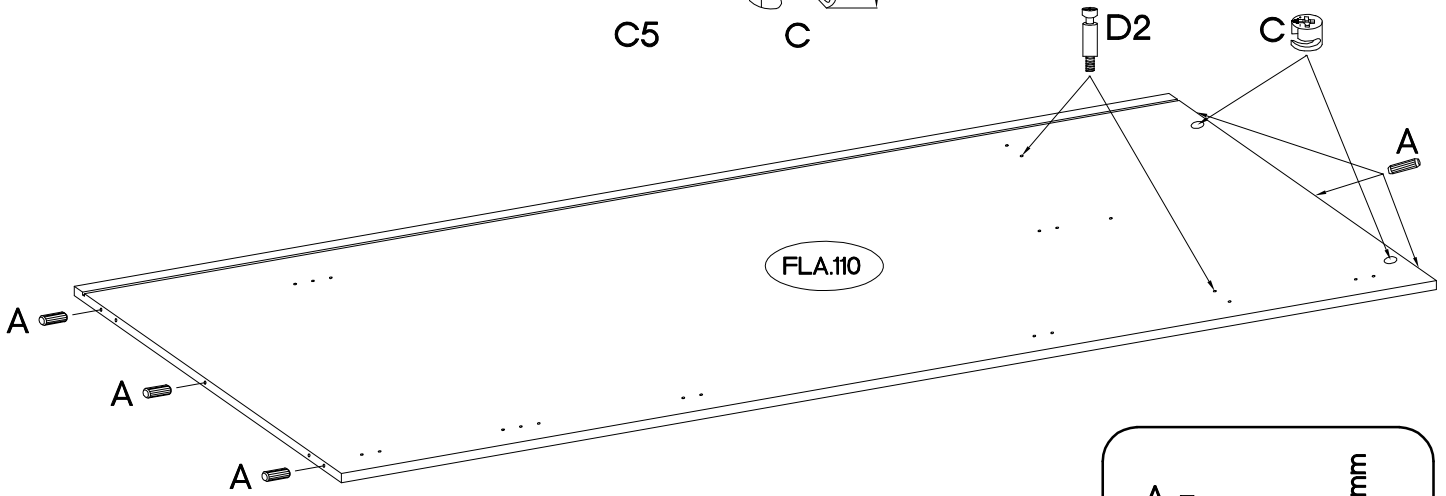
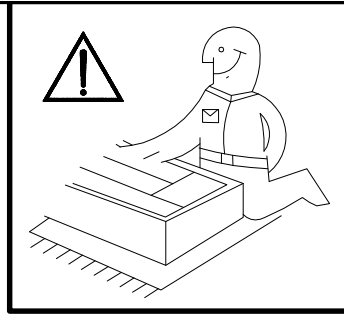
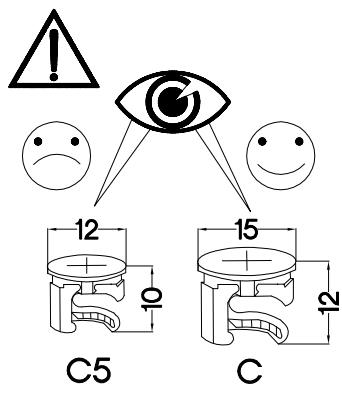
4

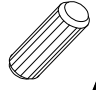



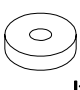
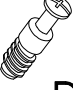


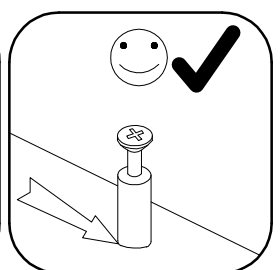
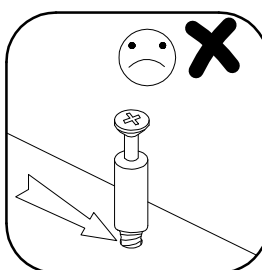
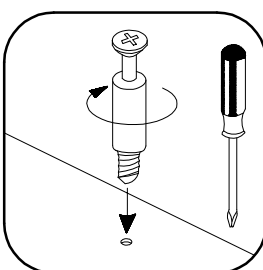
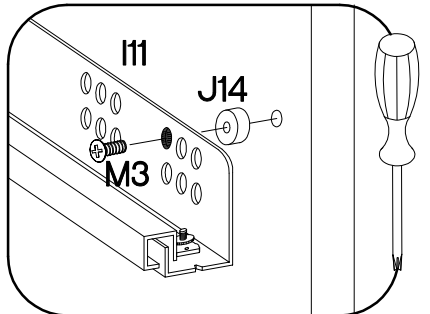
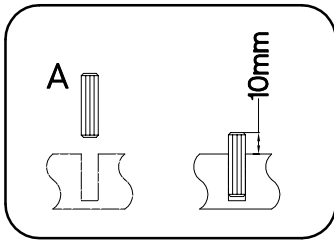
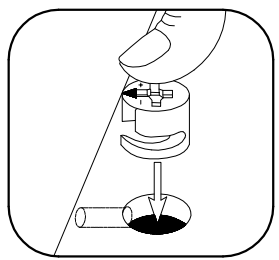
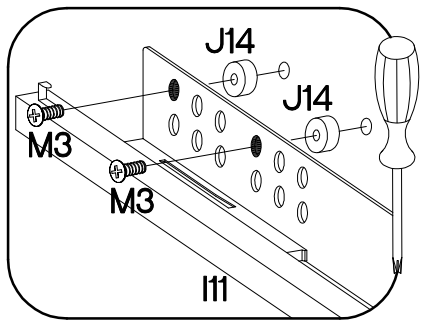
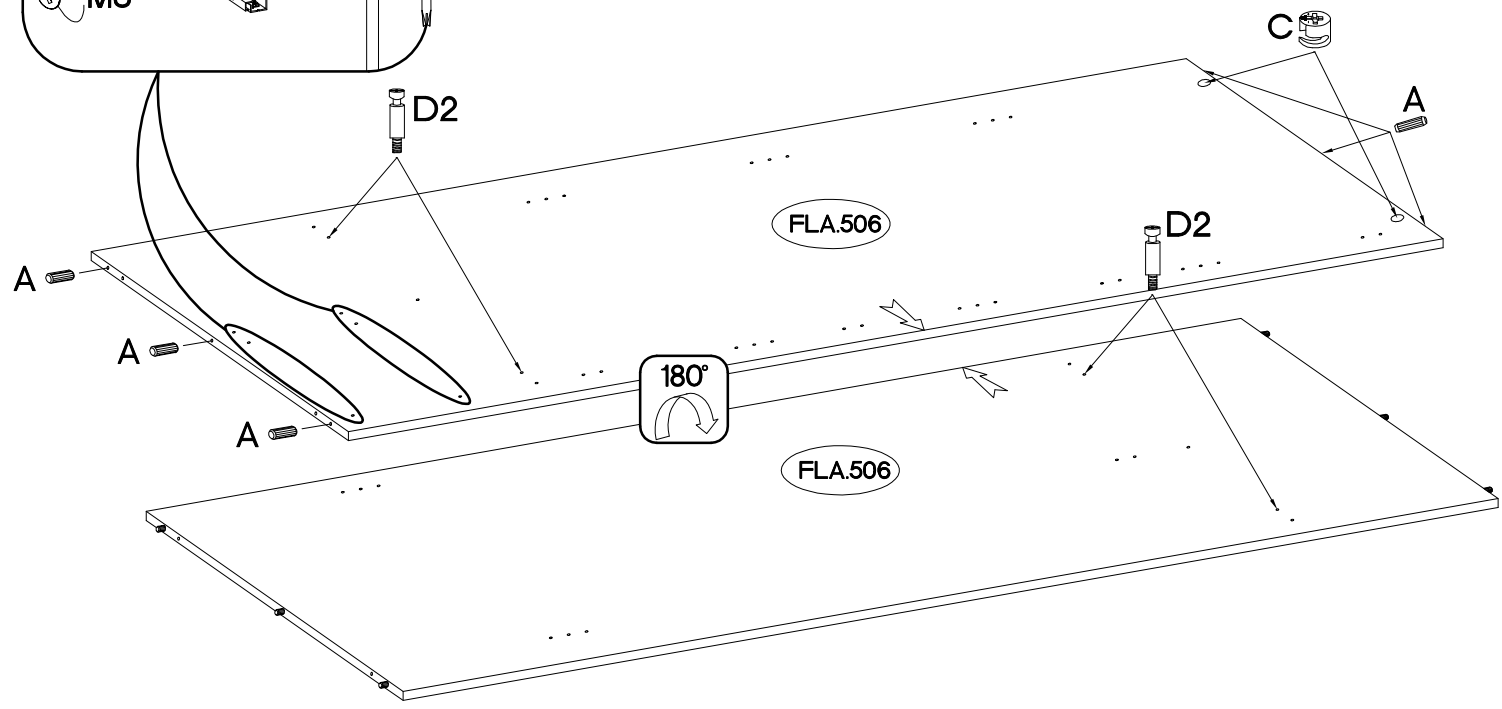
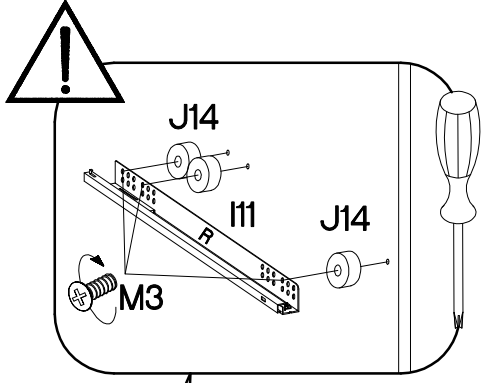
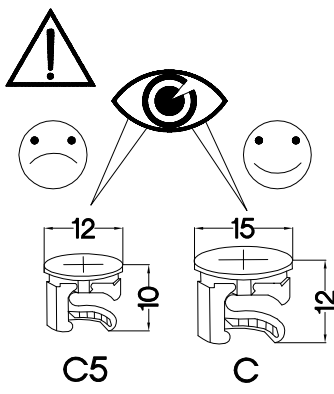
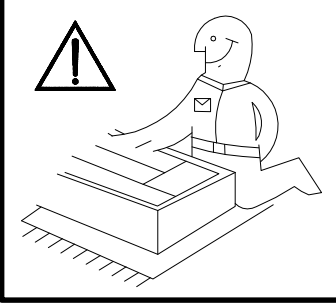
5

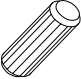

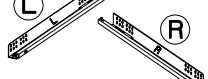

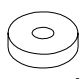



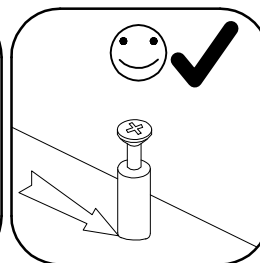
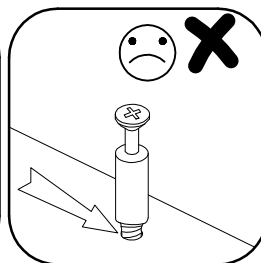
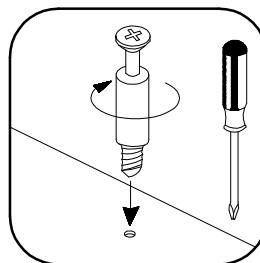
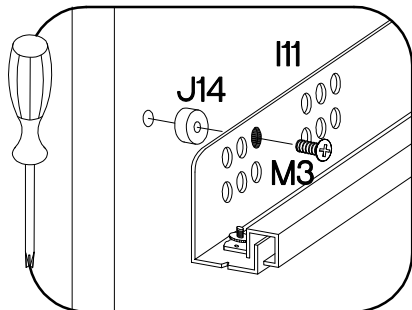
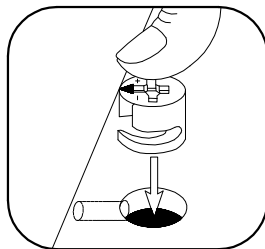
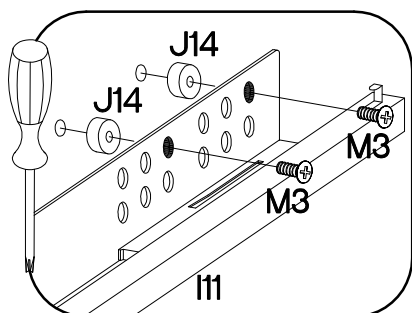
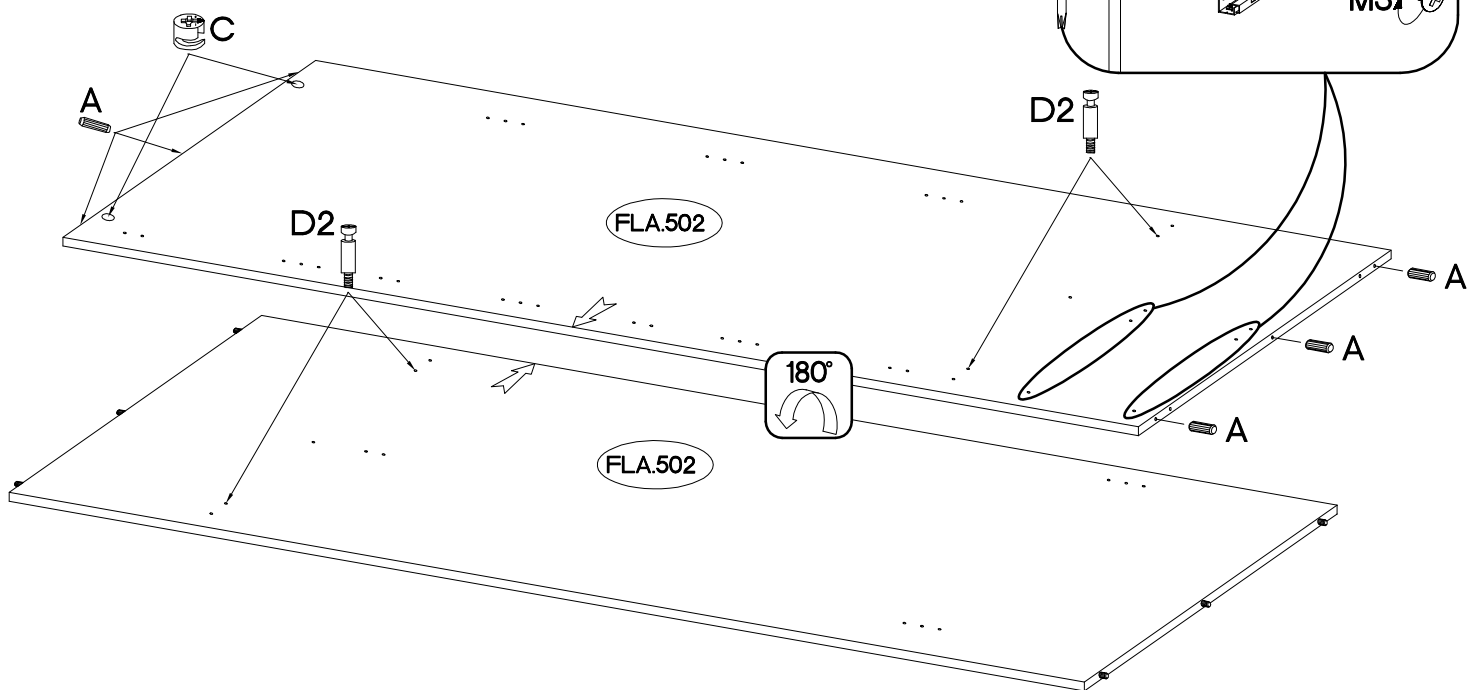
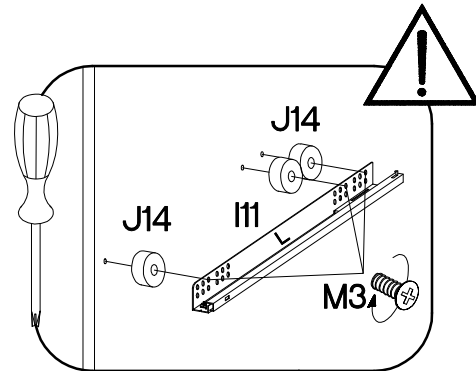
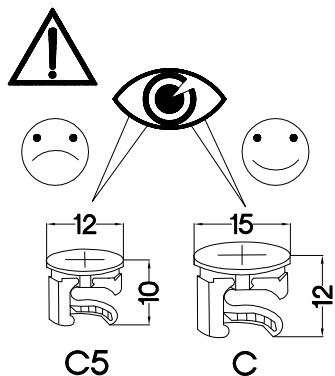
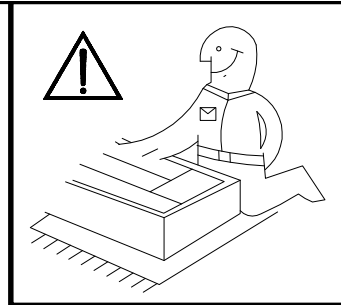
±8x30mm	±15/12mm	L=20mm
		
A	C	D2
30	16	4



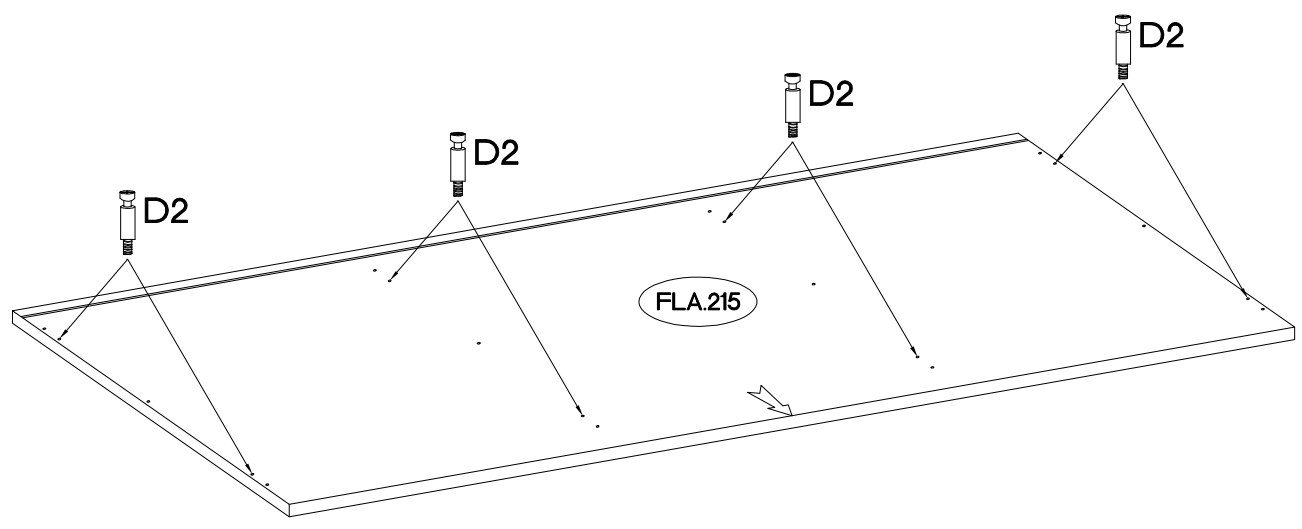
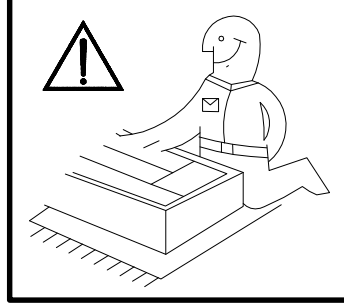
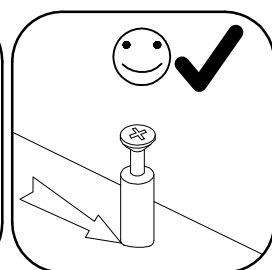
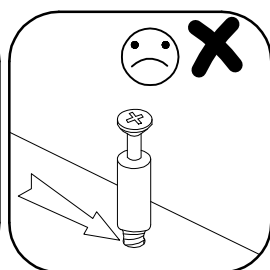
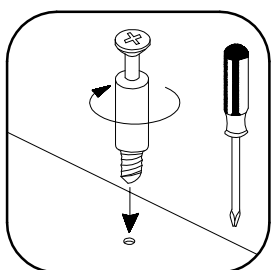
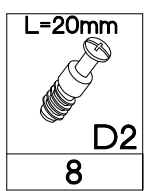
$\pm 8 \times 30 \text{mm}$  A 6	$\pm 15/12 \text{mm}$  C 2	L=450mm  I11 2	$\pm 6.3 \times 20 \text{mm}$  M3 6	$\pm 20/8 \text{mm}$  J14 6	L=20mm  D2 4
---	---	---	--	--	---



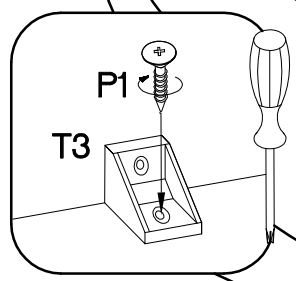
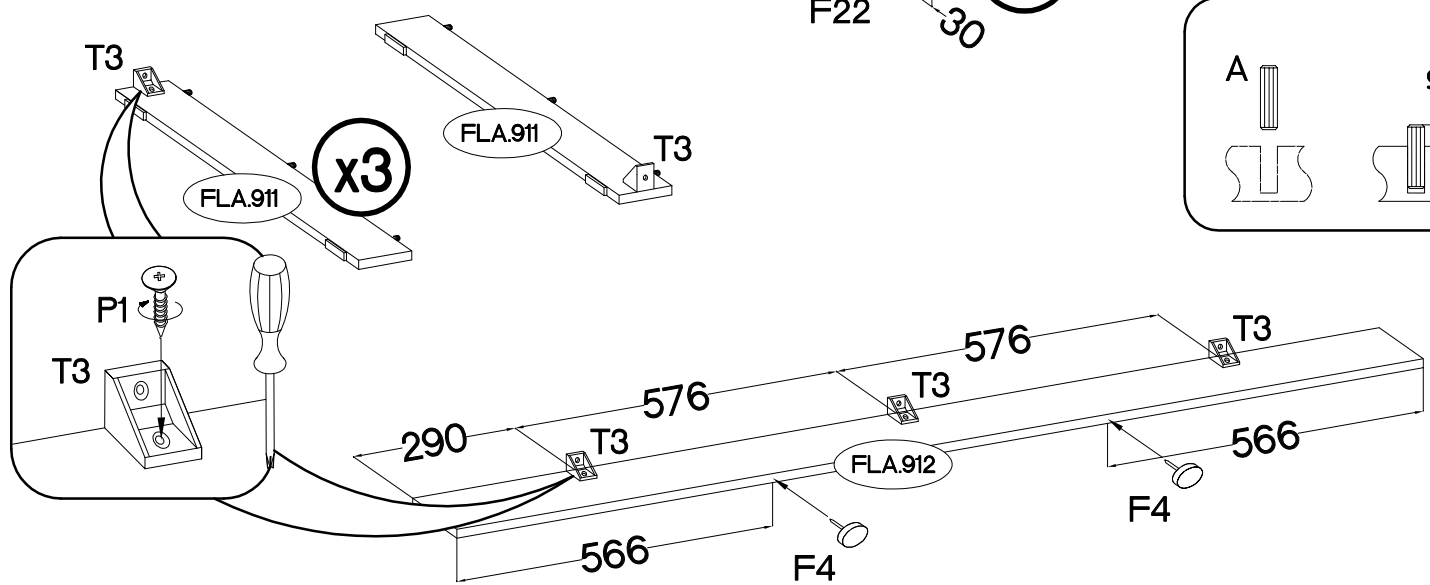
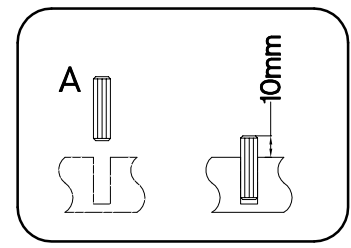
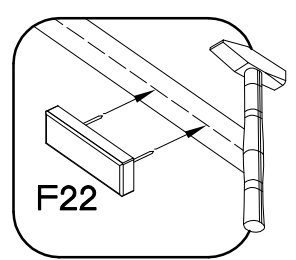
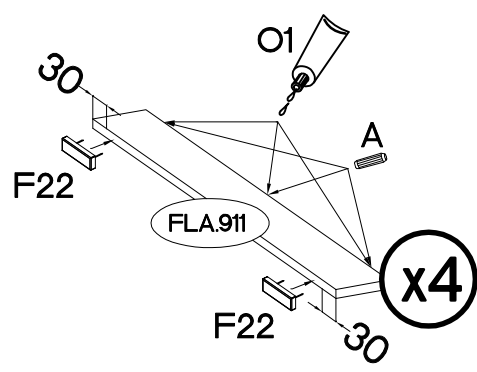
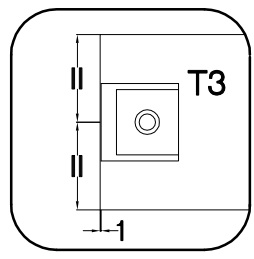
$\pm 8 \times 30 \text{mm}$  A	$\pm 15 / 12 \text{mm}$  C	$L=450 \text{mm}$  I11	$\pm 6.3 \times 20 \text{mm}$  M3	$\pm 20 / 8 \text{mm}$  J14	$L=20 \text{mm}$  D2
6	2	2	6	6	4



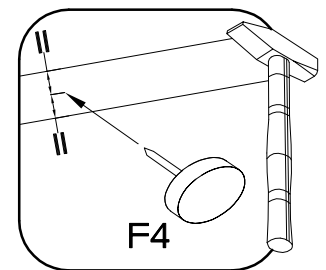
9



10

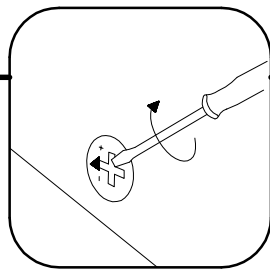
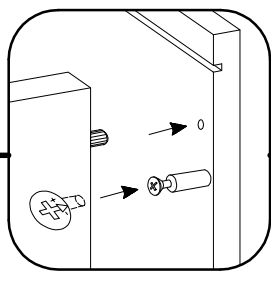
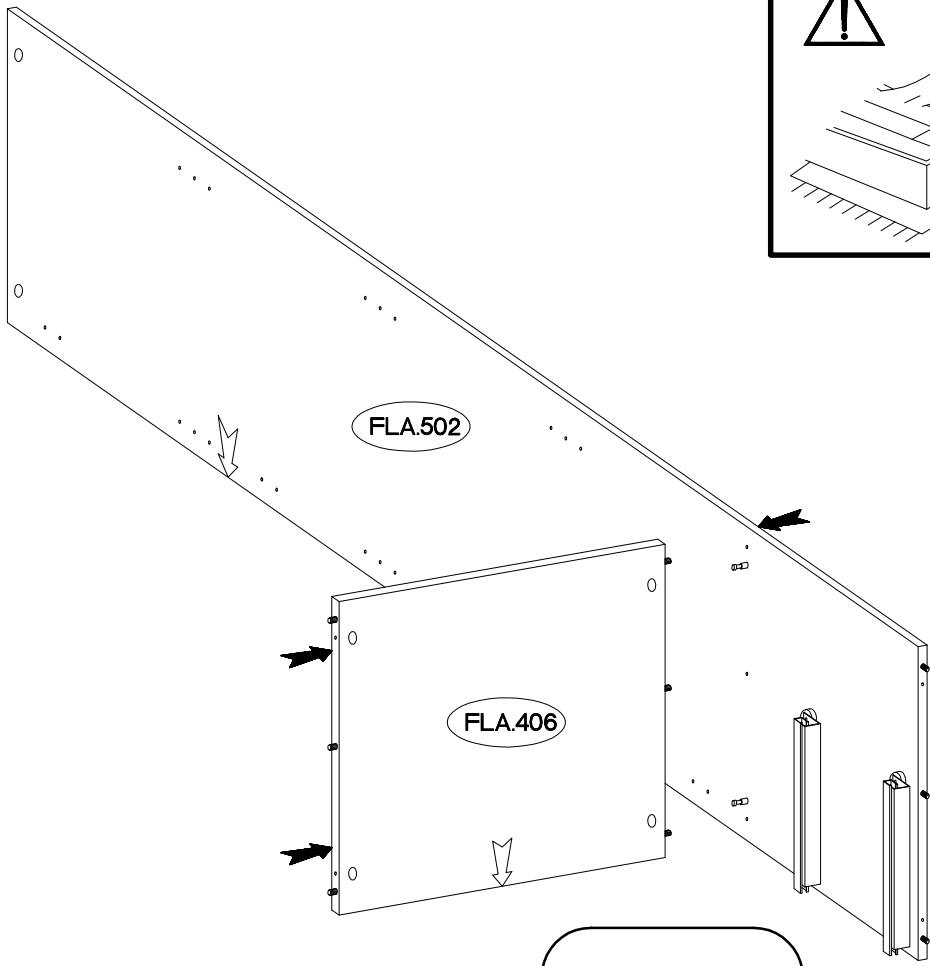
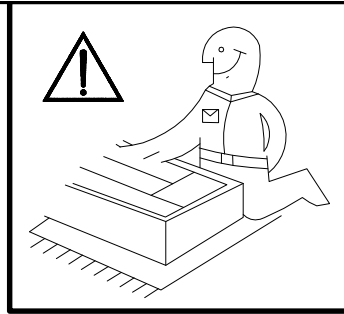


	+4.0x16mm	6.5x48x16	+15x5mm		+8x30mm
T3	P1	F22	F4	O1	A
7	7	8	2	1	12

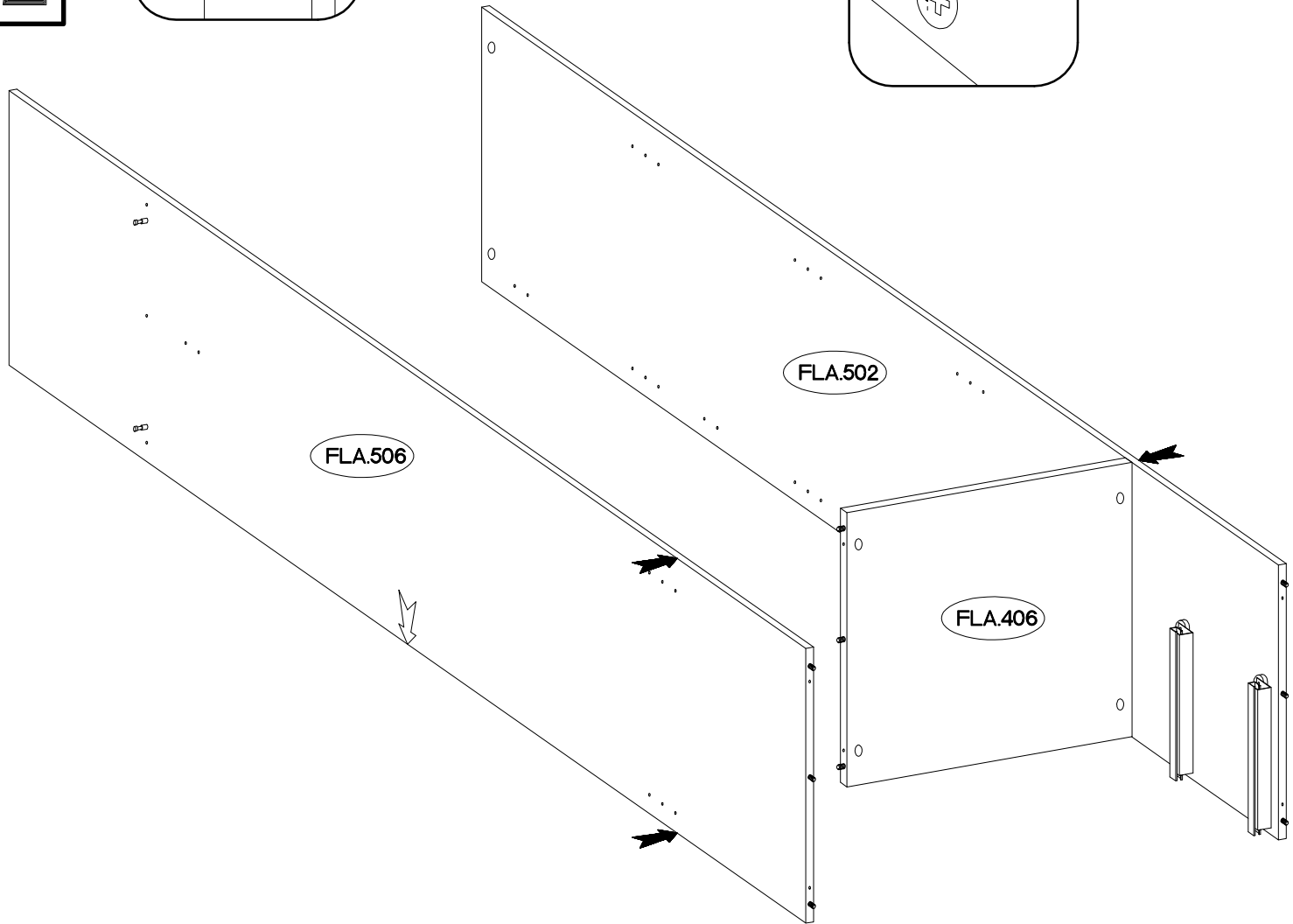




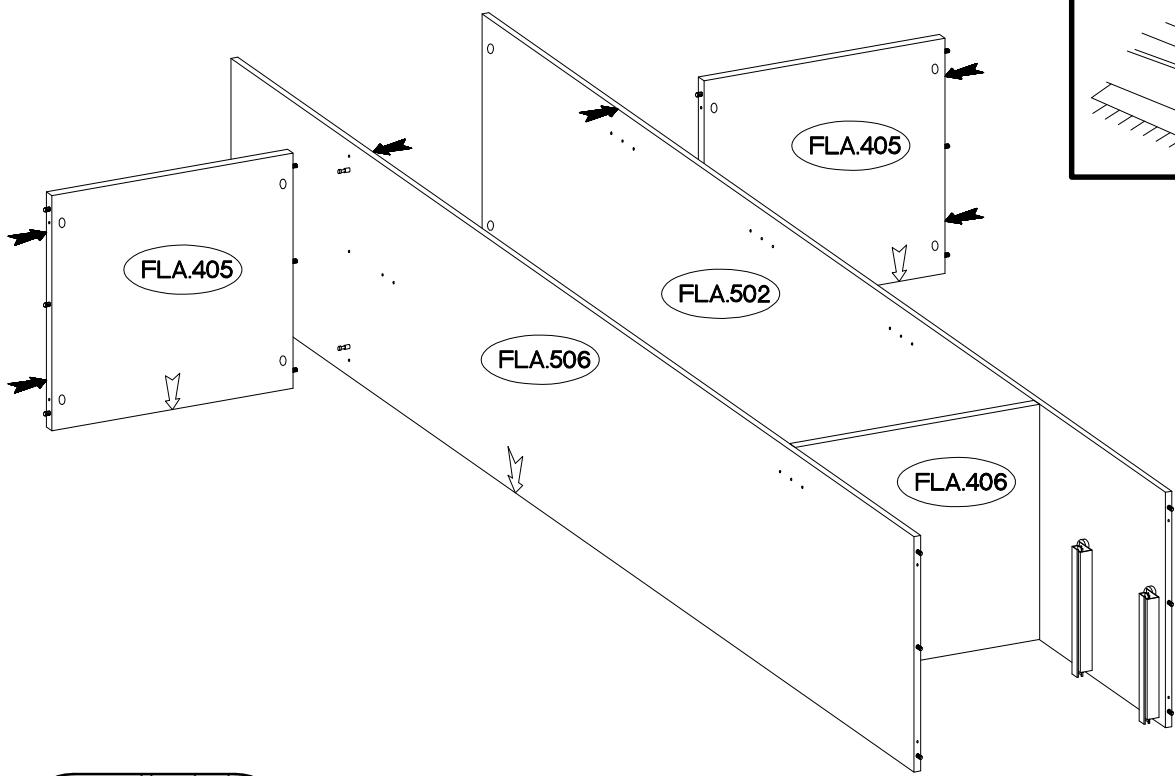
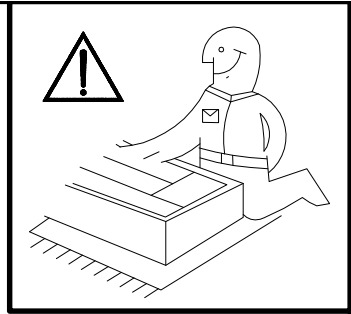
11



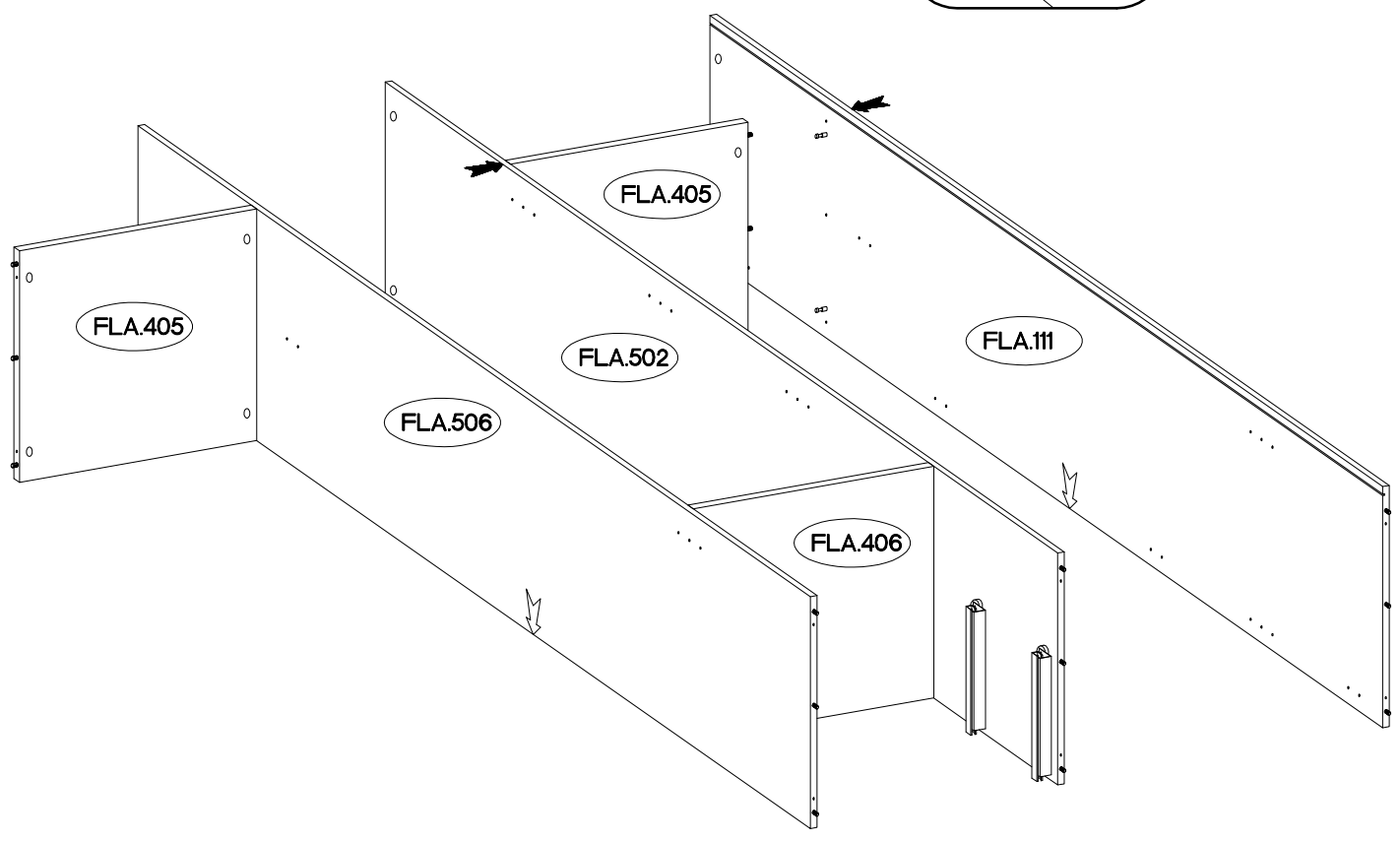
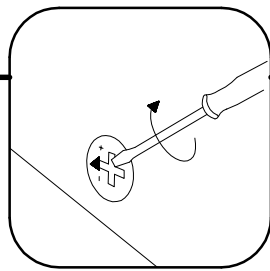
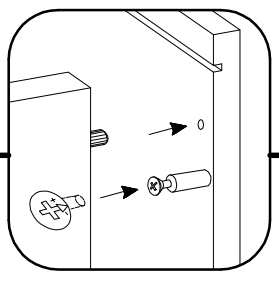
12

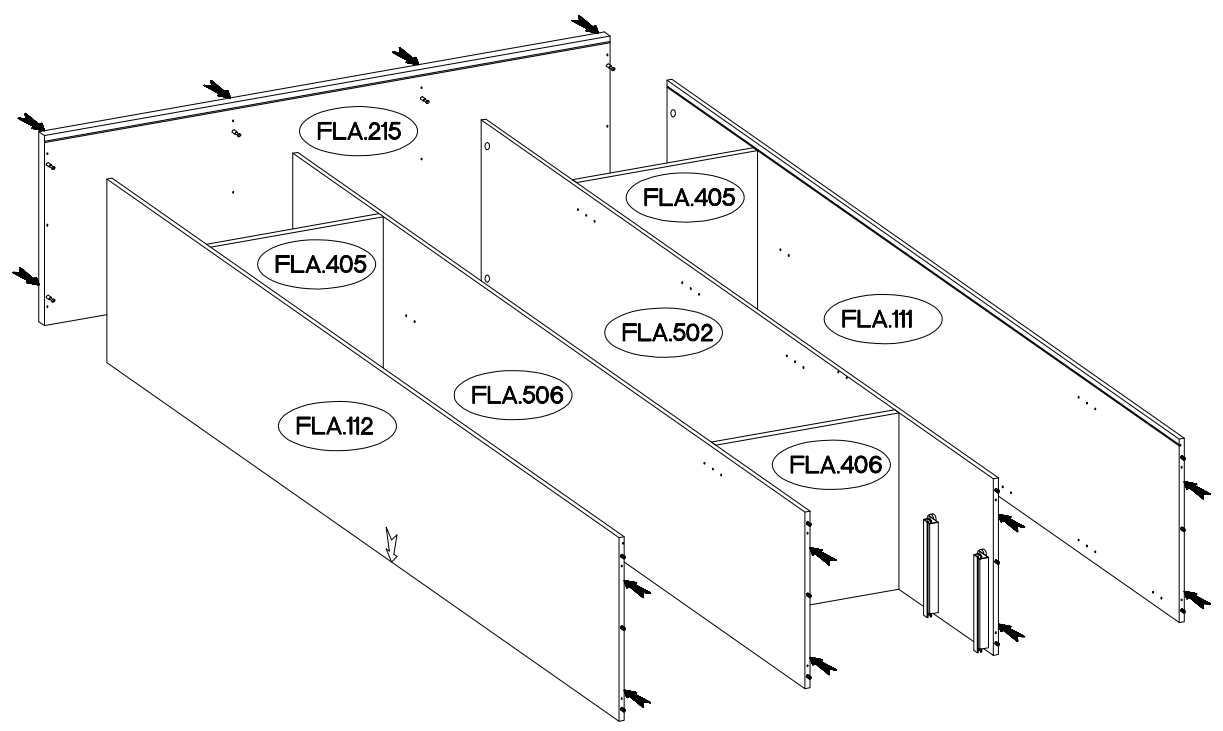
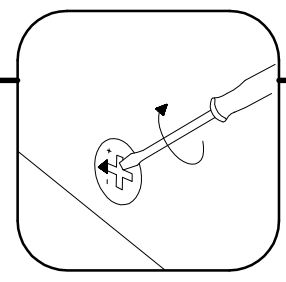
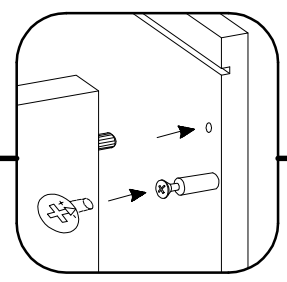
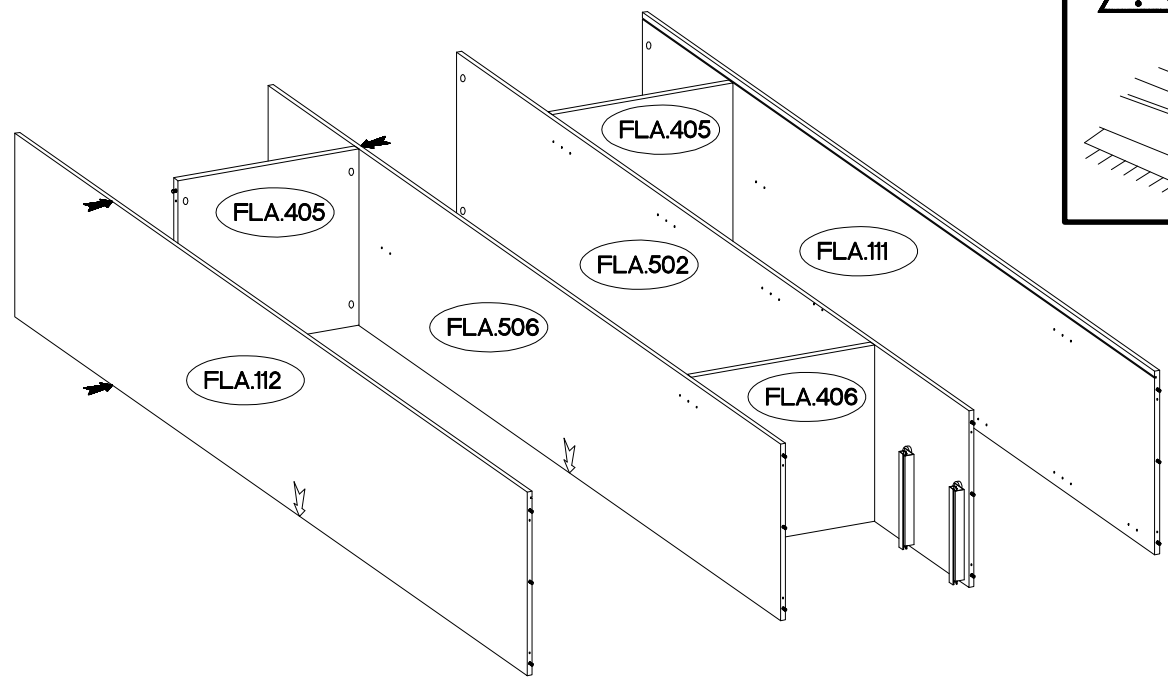
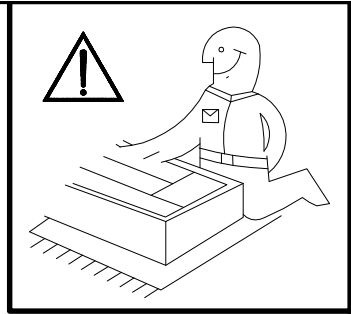


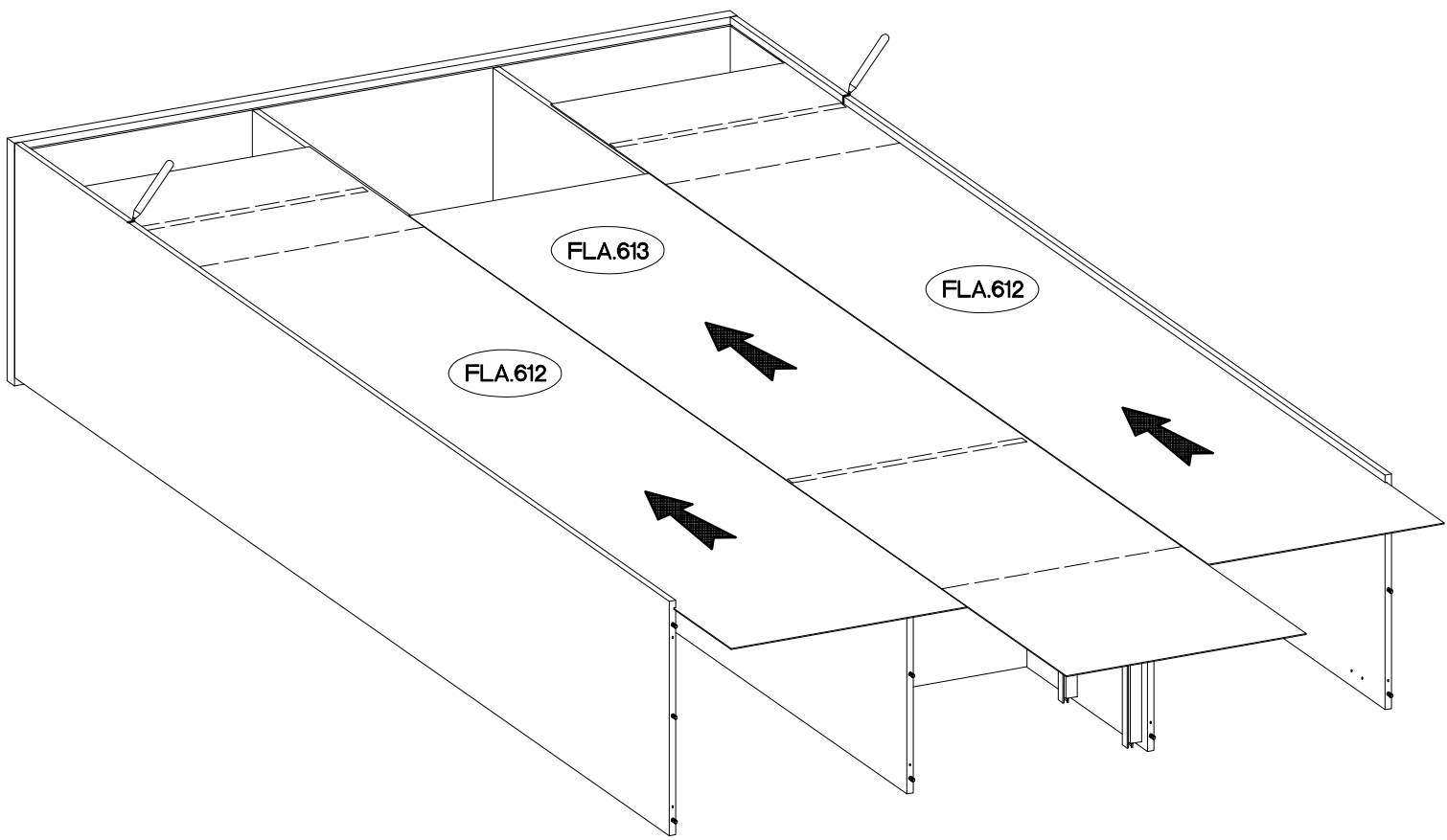
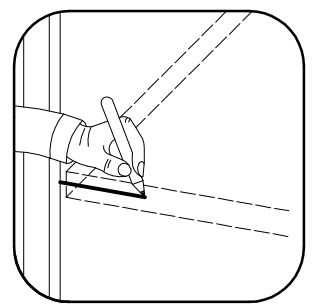
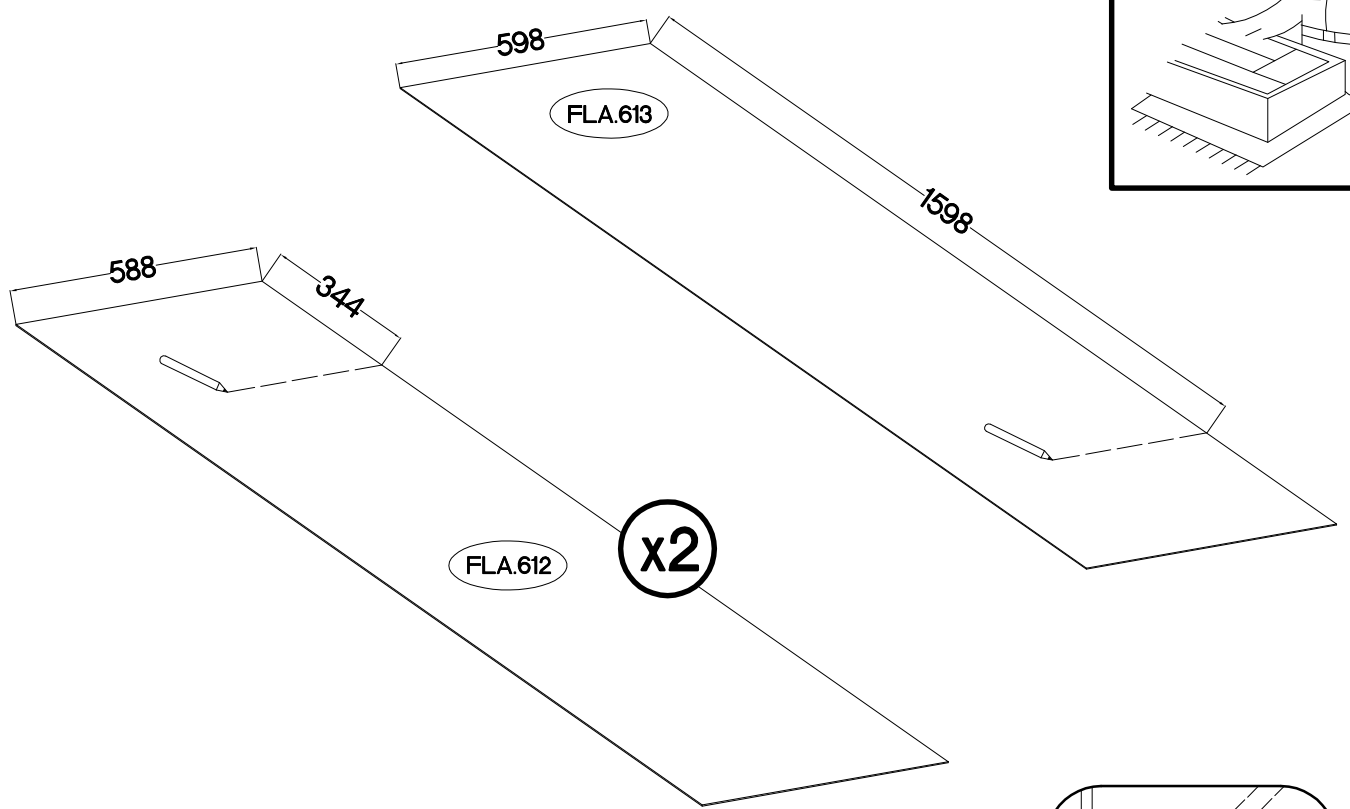
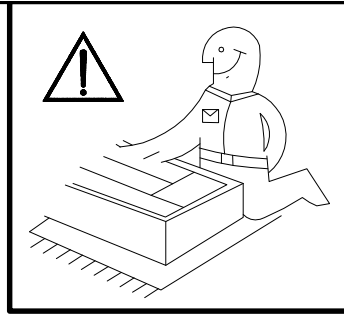
13

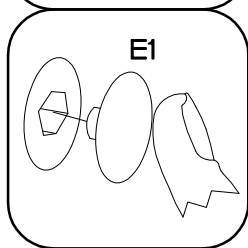
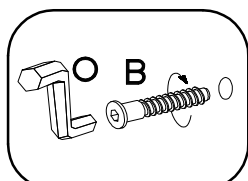
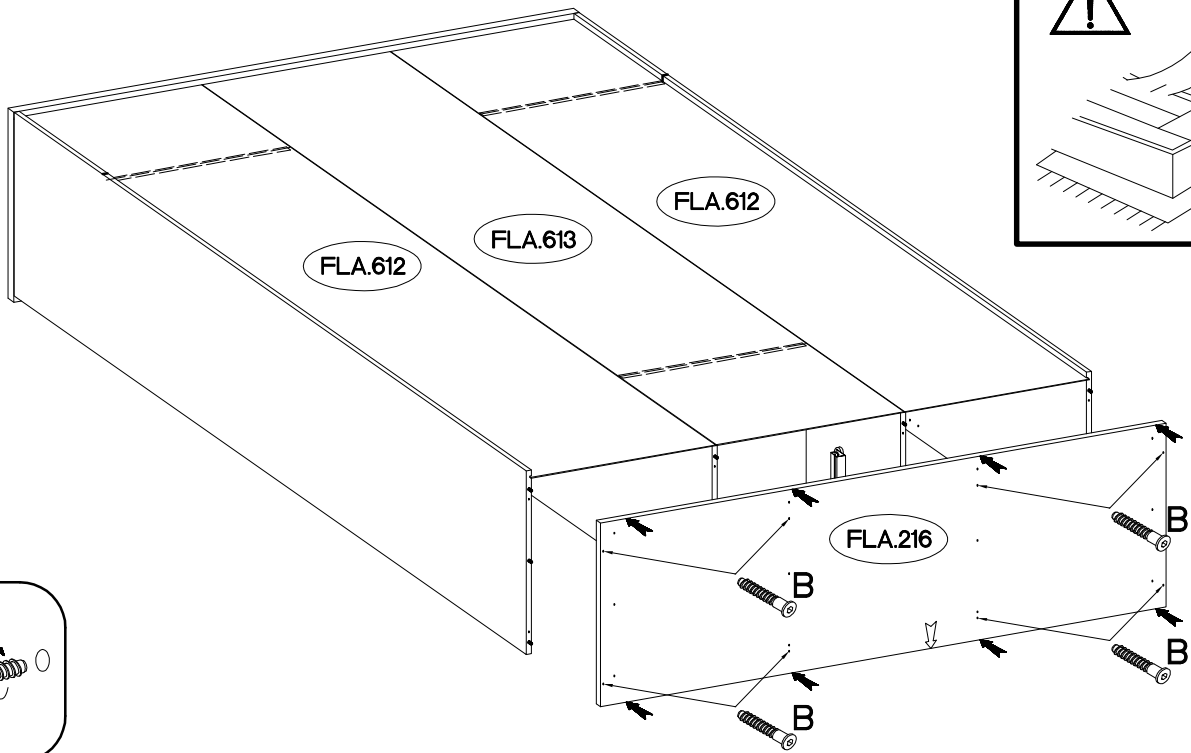
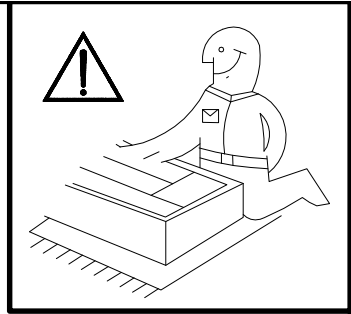


14

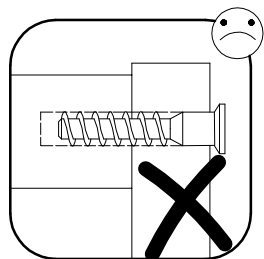
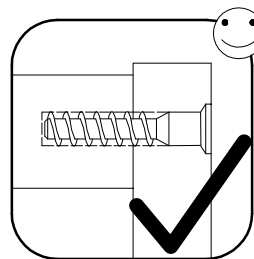




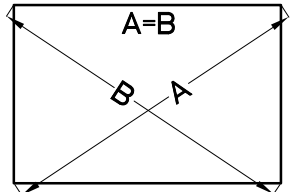
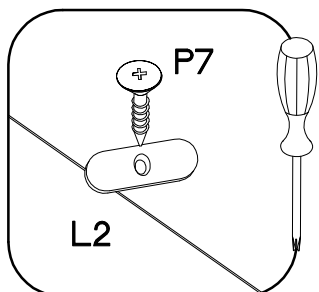
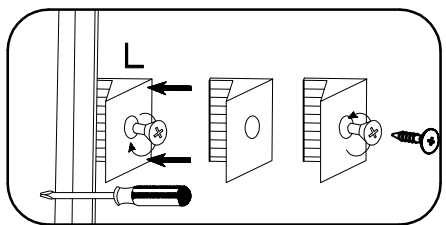
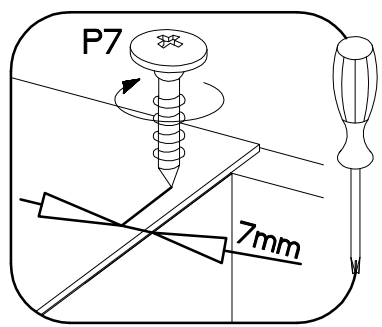
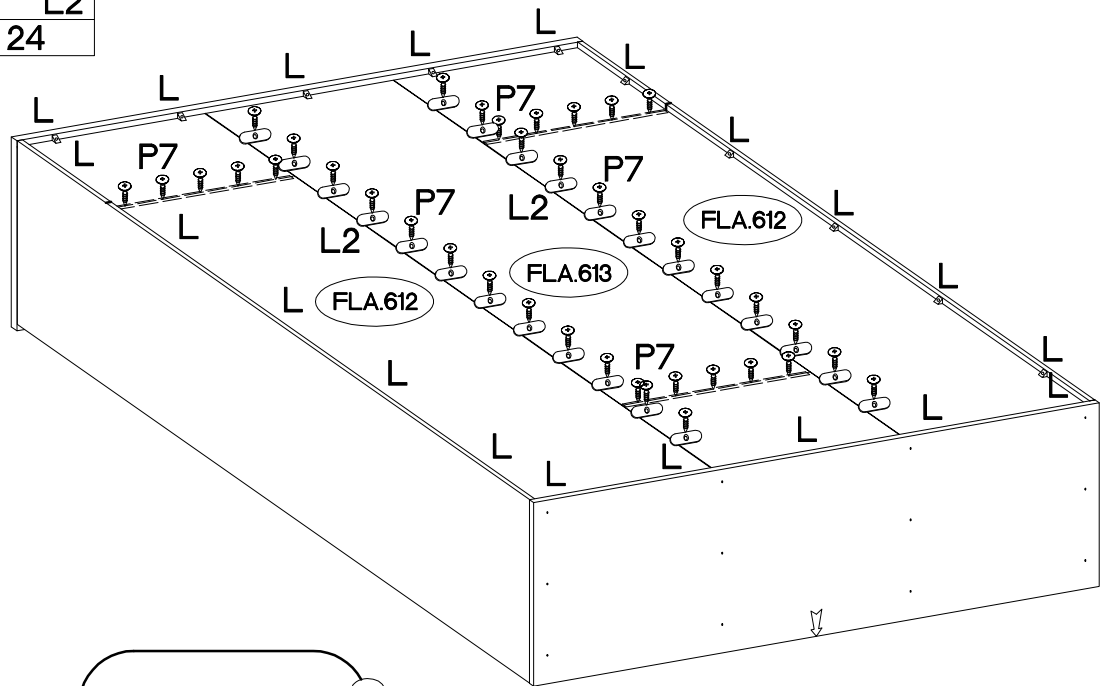




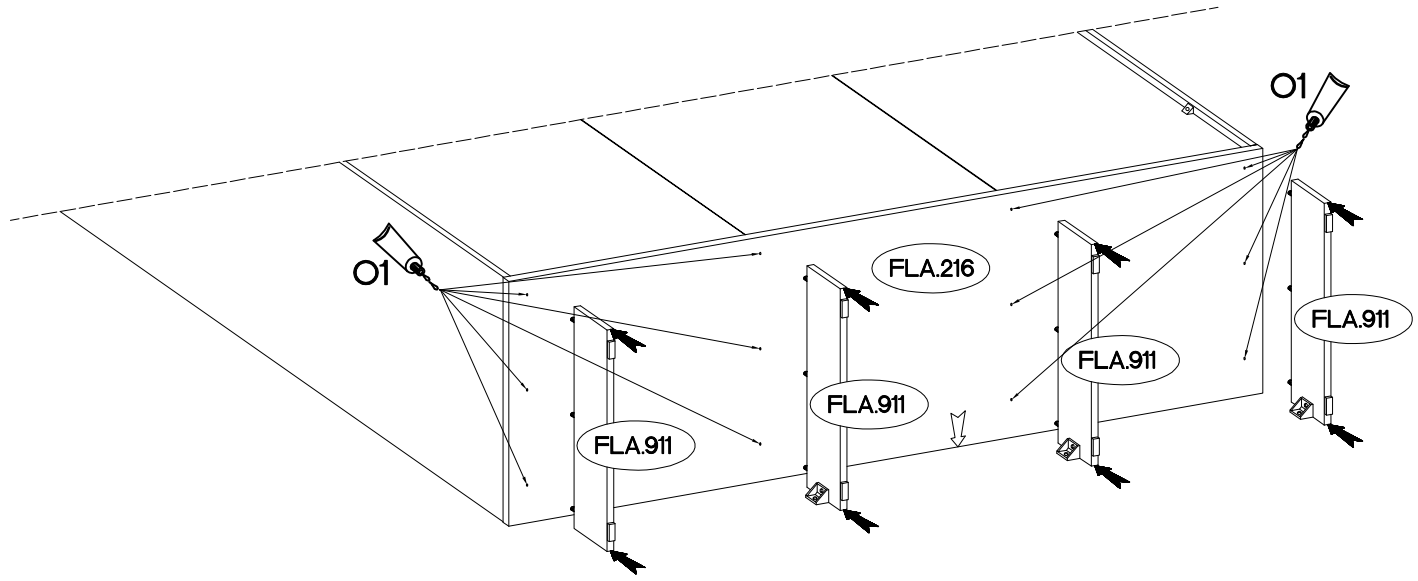
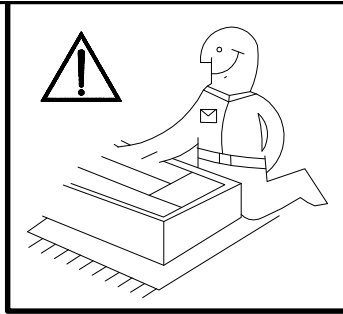
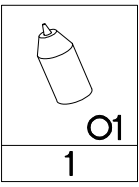
6,4 x 50mm		
<b>B</b>	<b>O</b>	<b>E1</b>
<b>8</b>	<b>1</b>	<b>4</b>



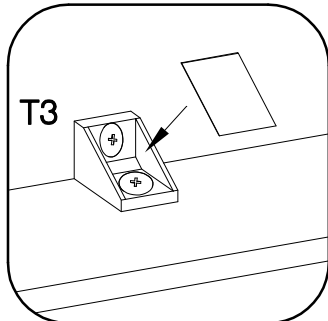
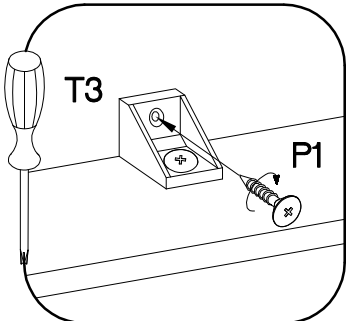
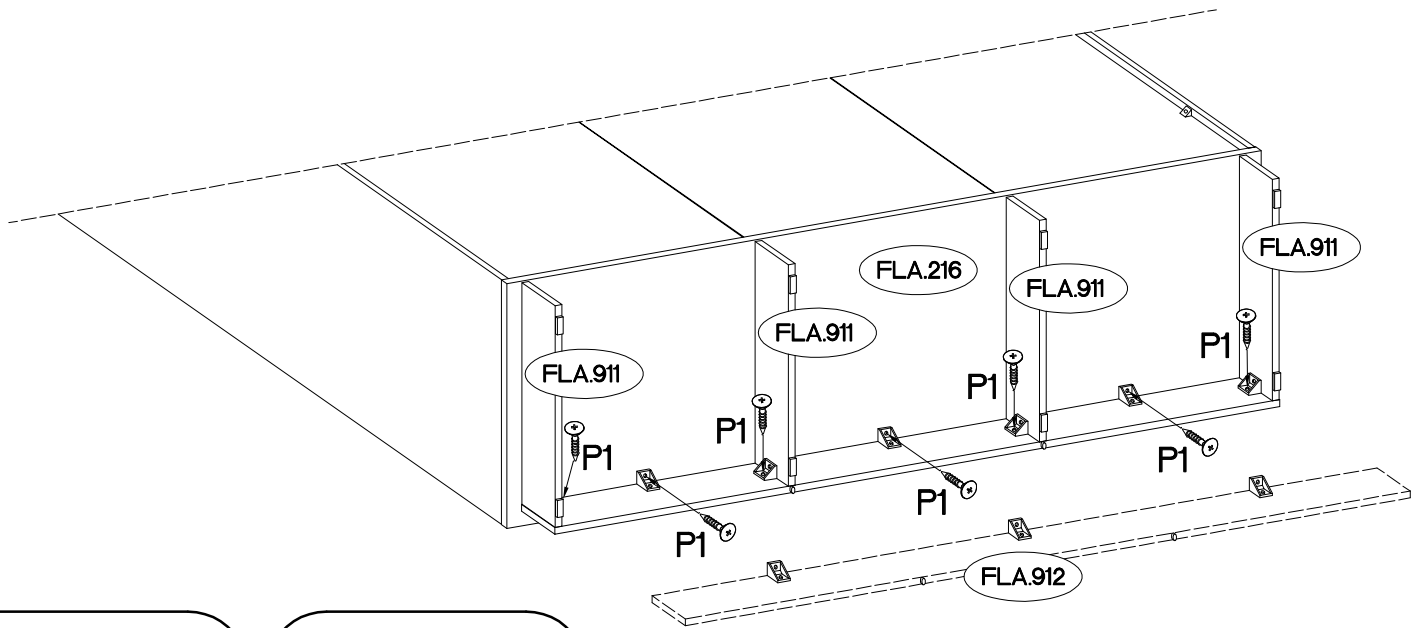
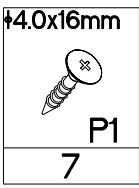
	$\pm 3.0 \times 20 \text{mm}$ 	
<b>L</b>	<b>P7</b>	<b>L2</b>
<b>20</b>	<b>35-40</b>	<b>24</b>

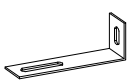





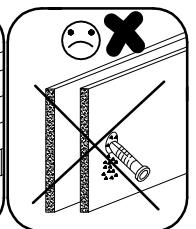
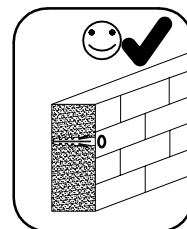
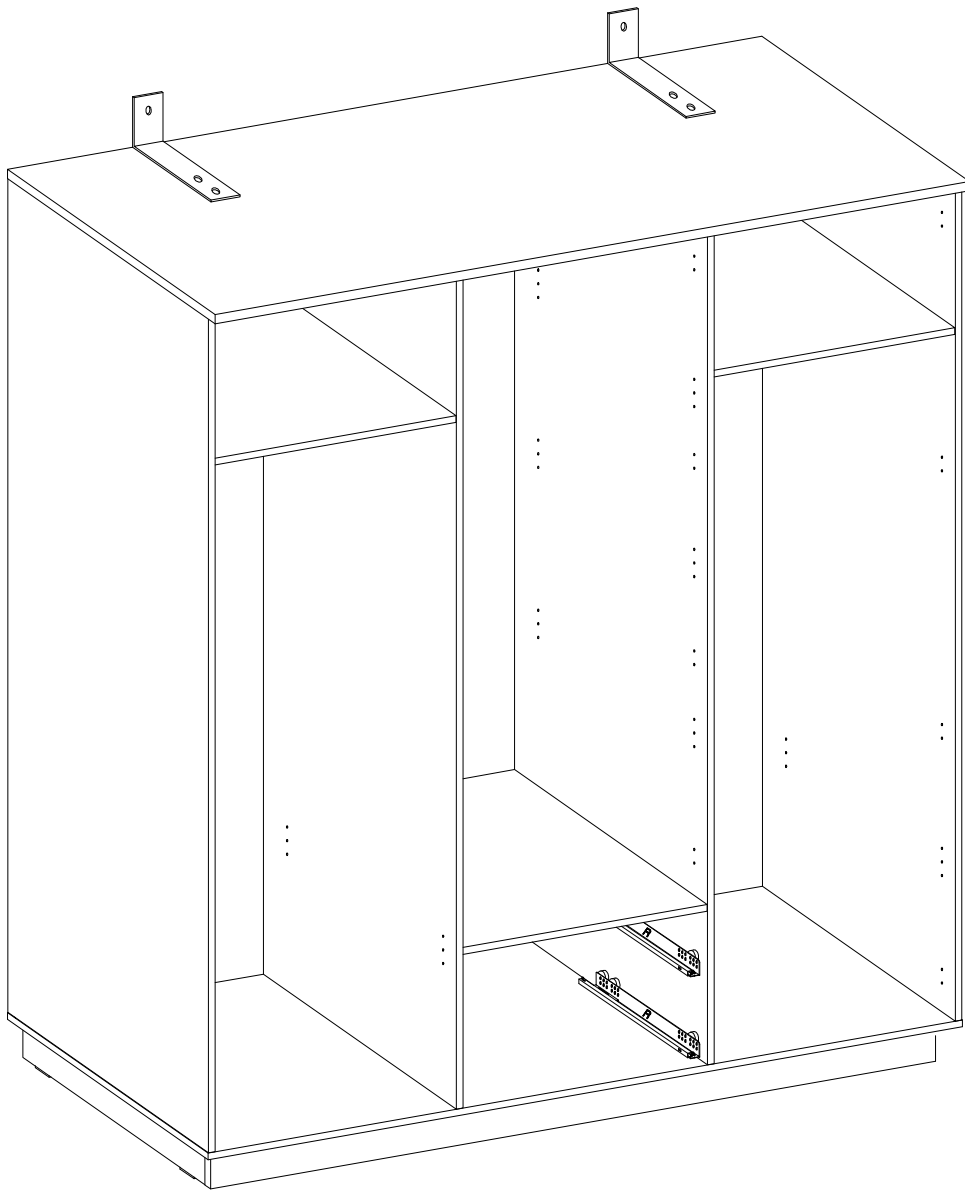
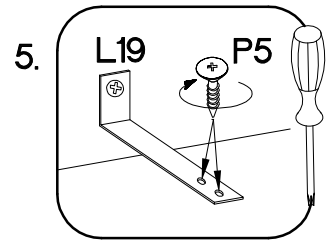
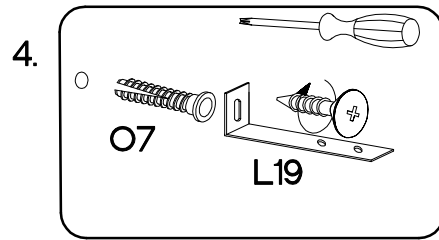
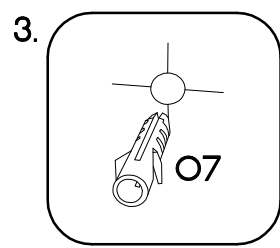
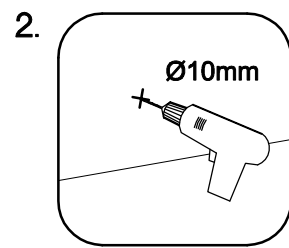
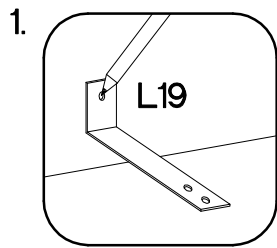
20

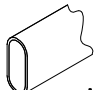





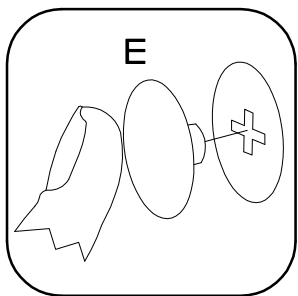
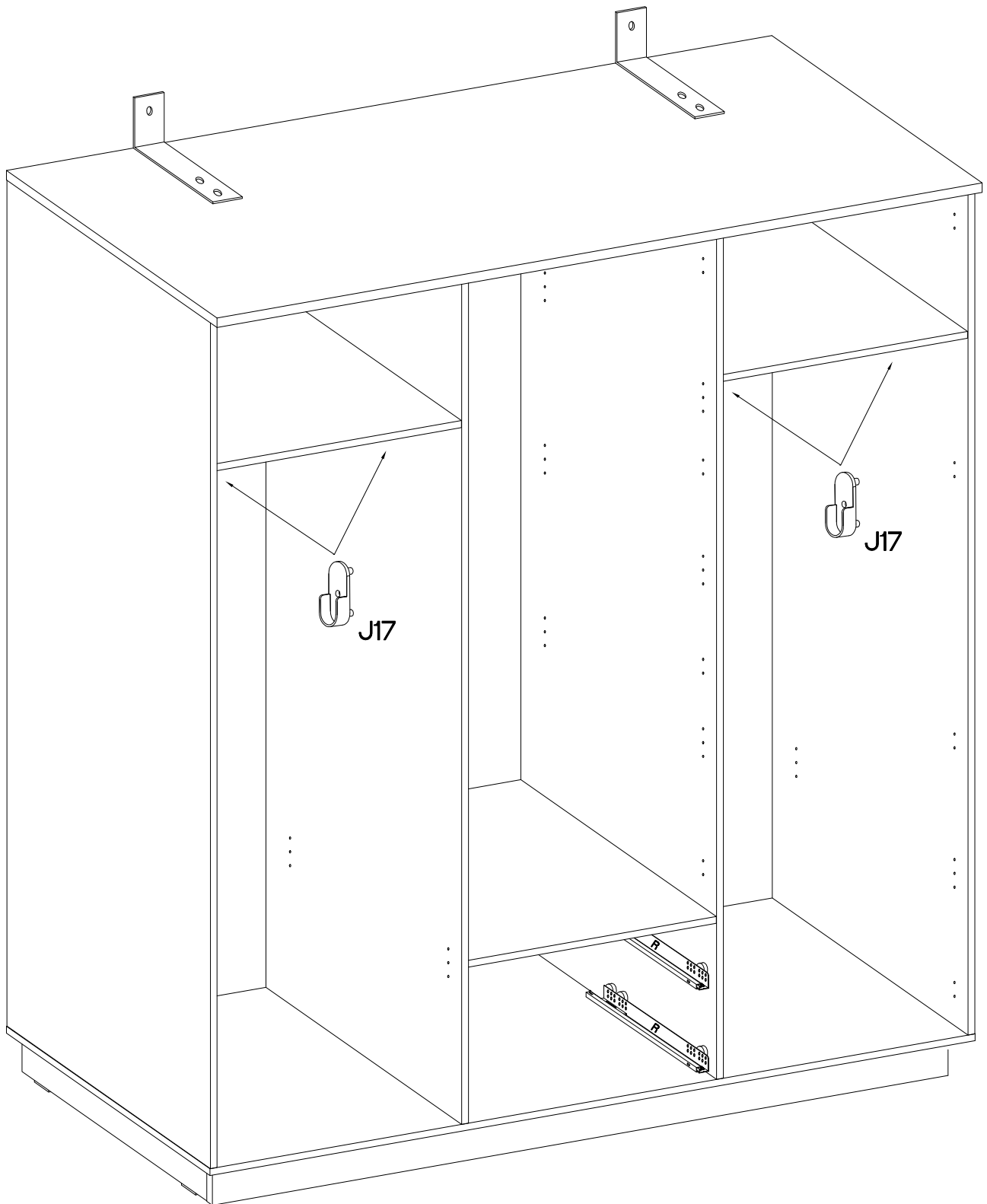
21



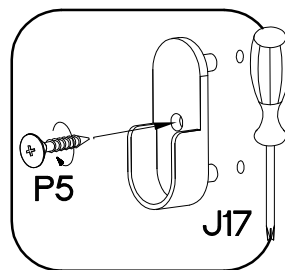
	↑3.5x13mm	↑5.0x60mm	↑10x50mm
			
L19	P5	P12	O7
2	4	2	2



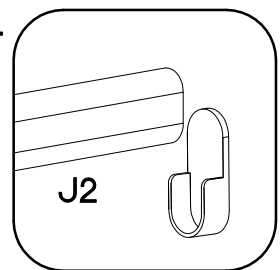
L=570mm  J2 2	 J17 4	φ3.5x13mm  P5 4	 E 20
--	--	--	---



1.

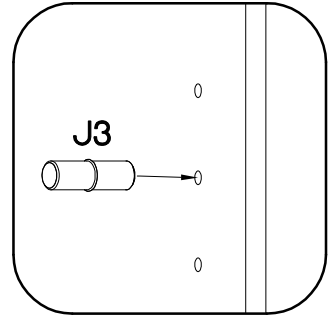
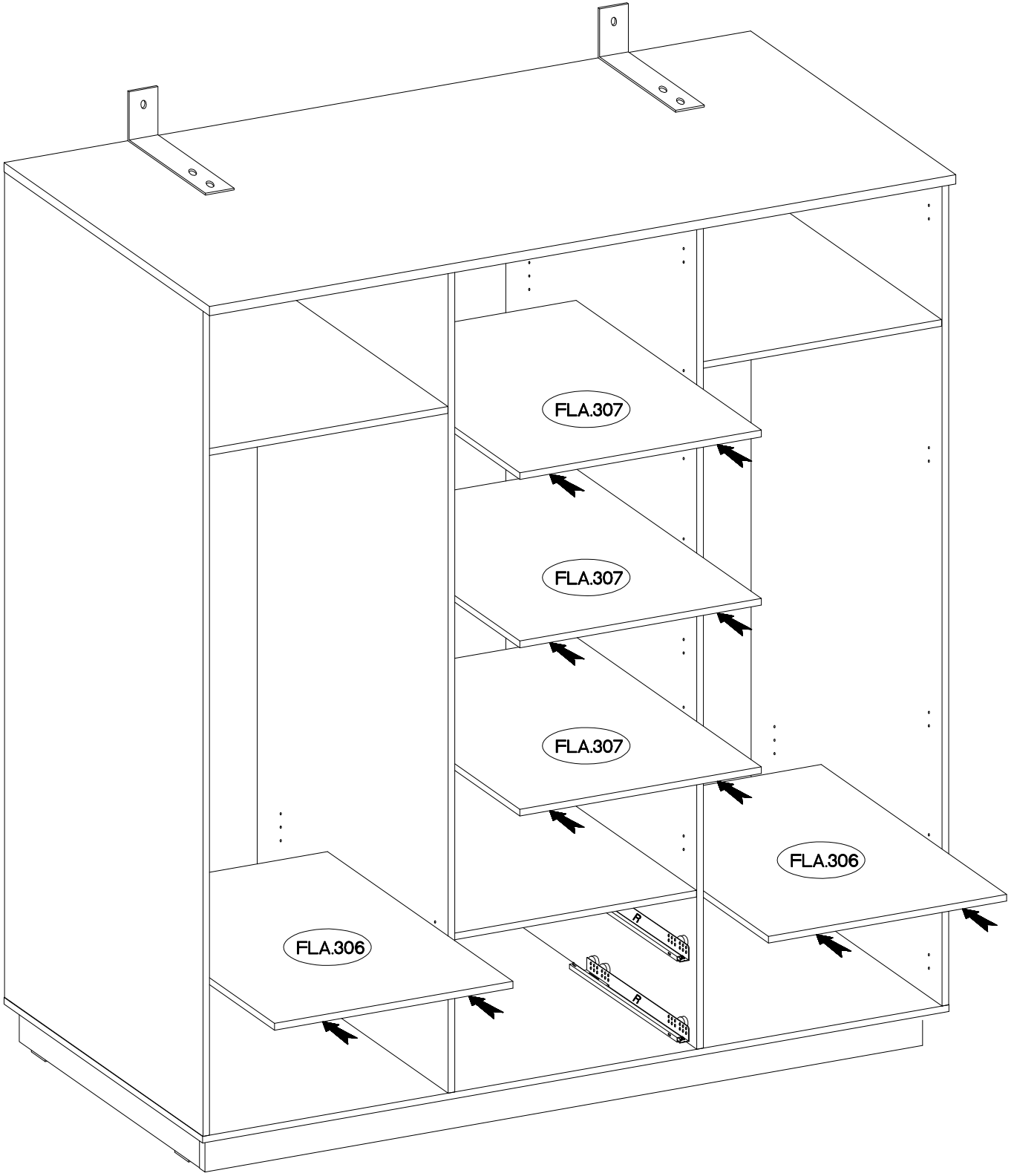
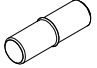


2.





±5/16mm  
J3  
20

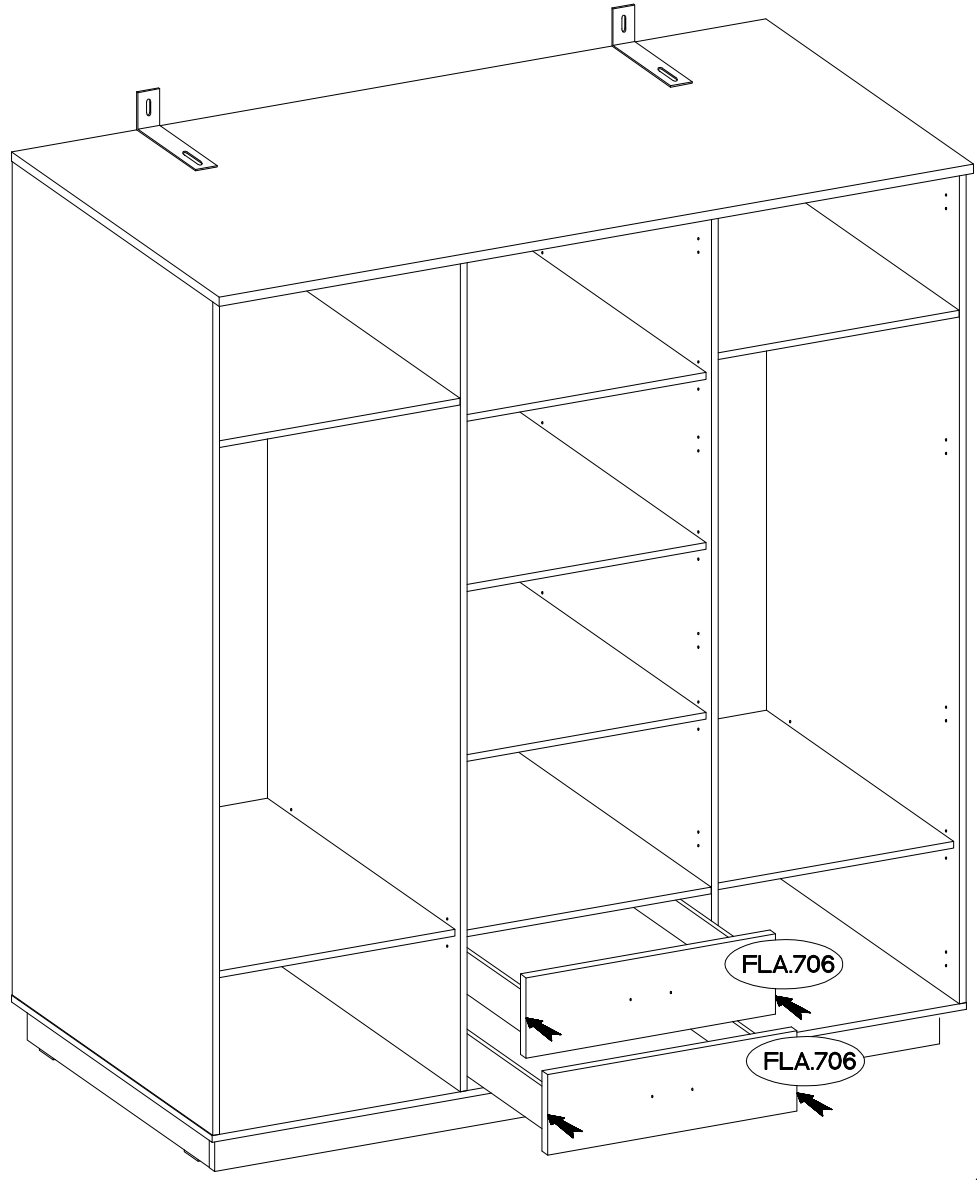


J3

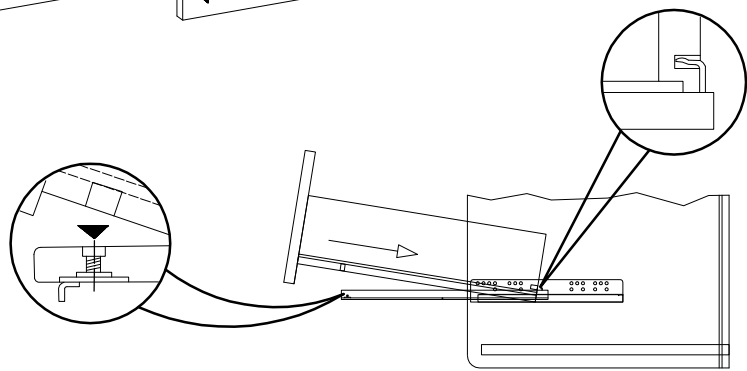
0

0

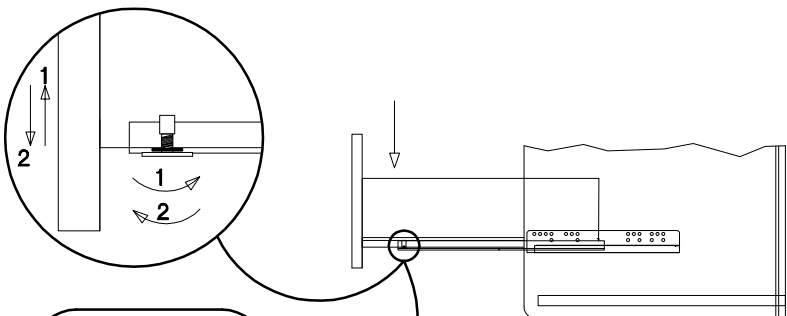
3.0x20mm  
P7  
6



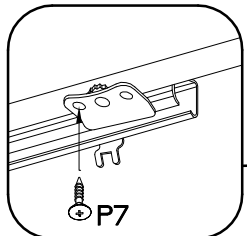
1.

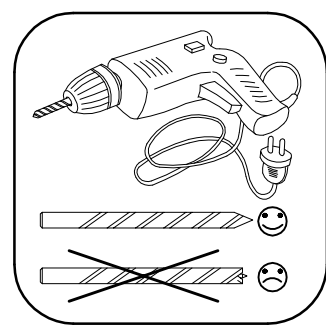
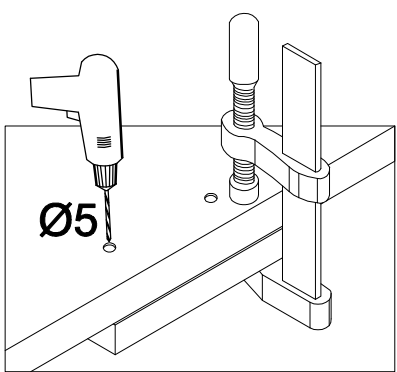
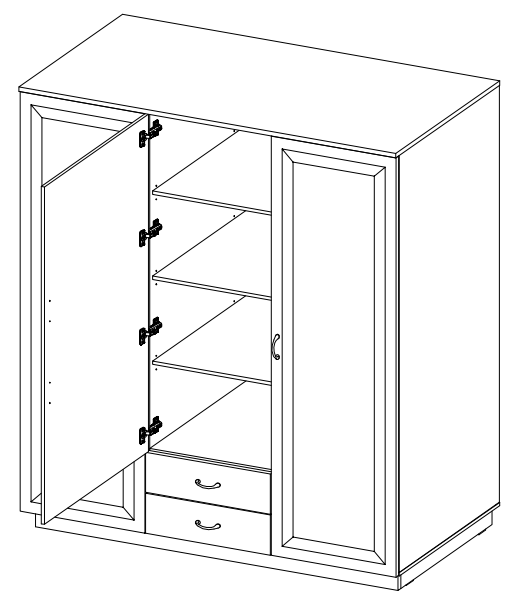
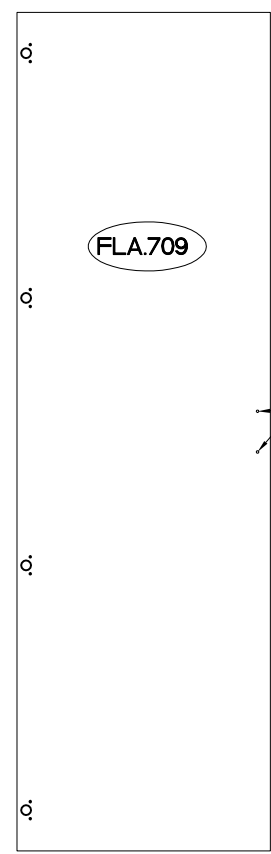
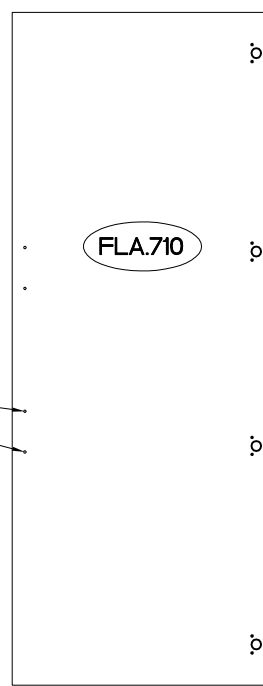
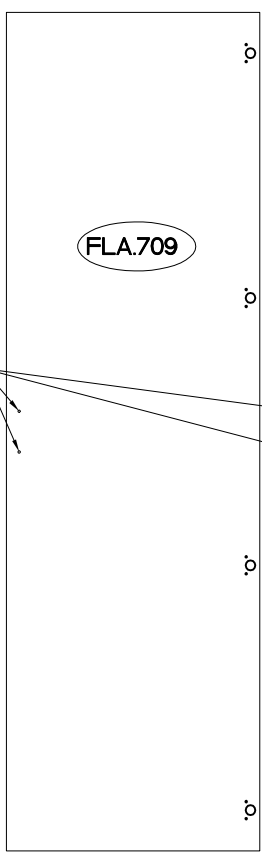
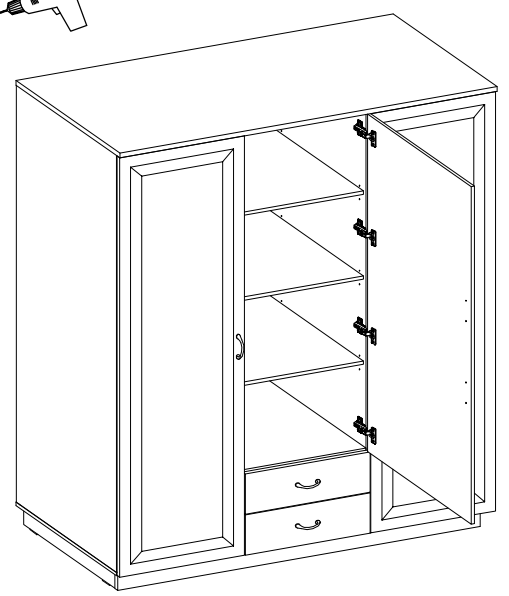
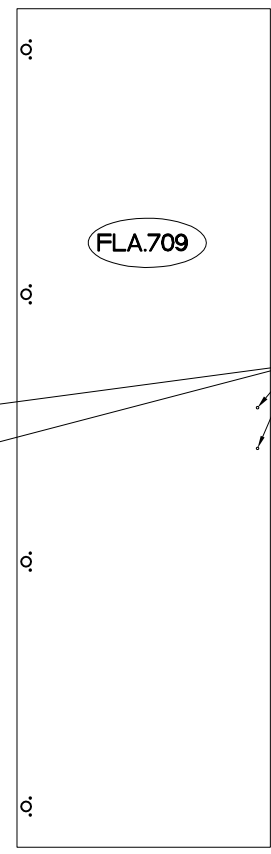
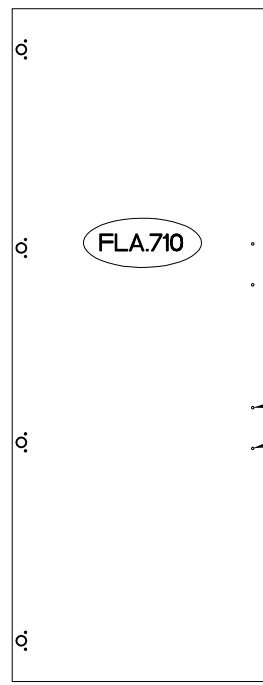
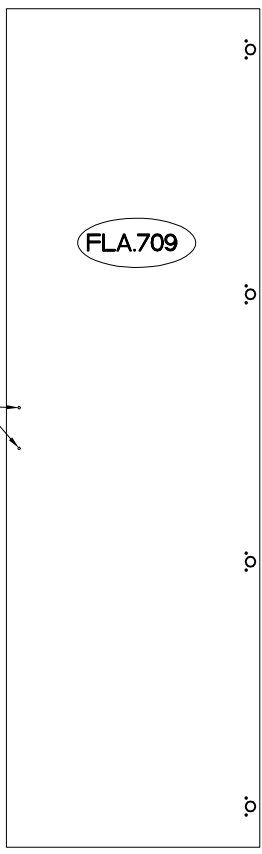



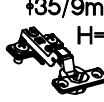

2.

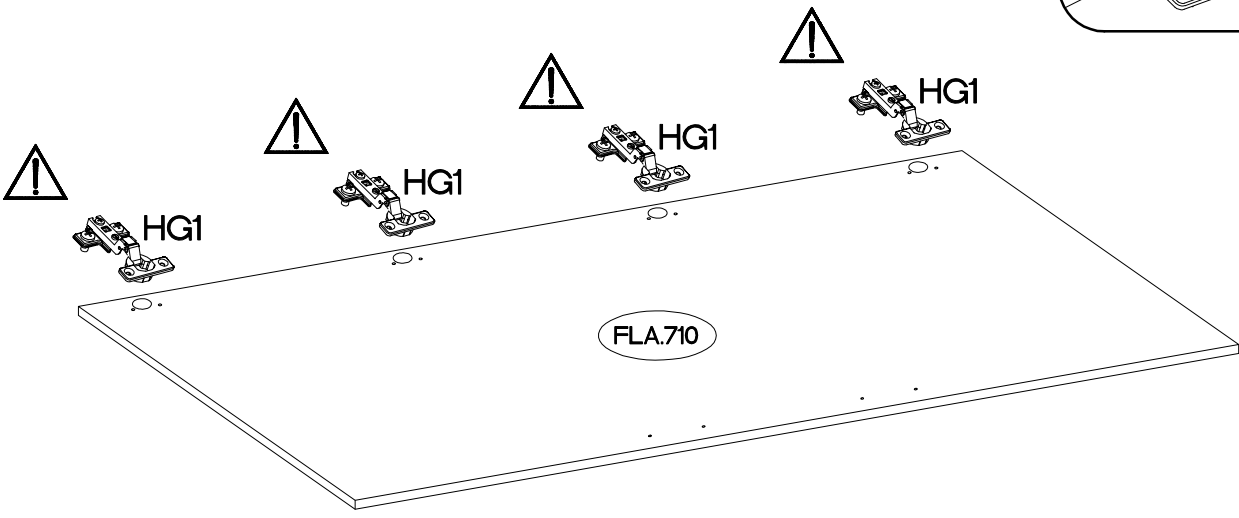
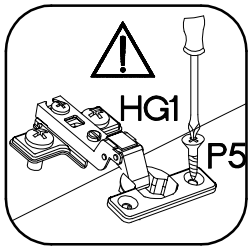
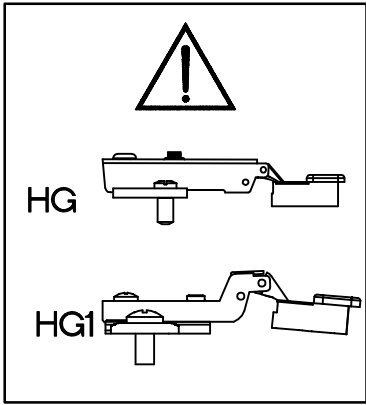
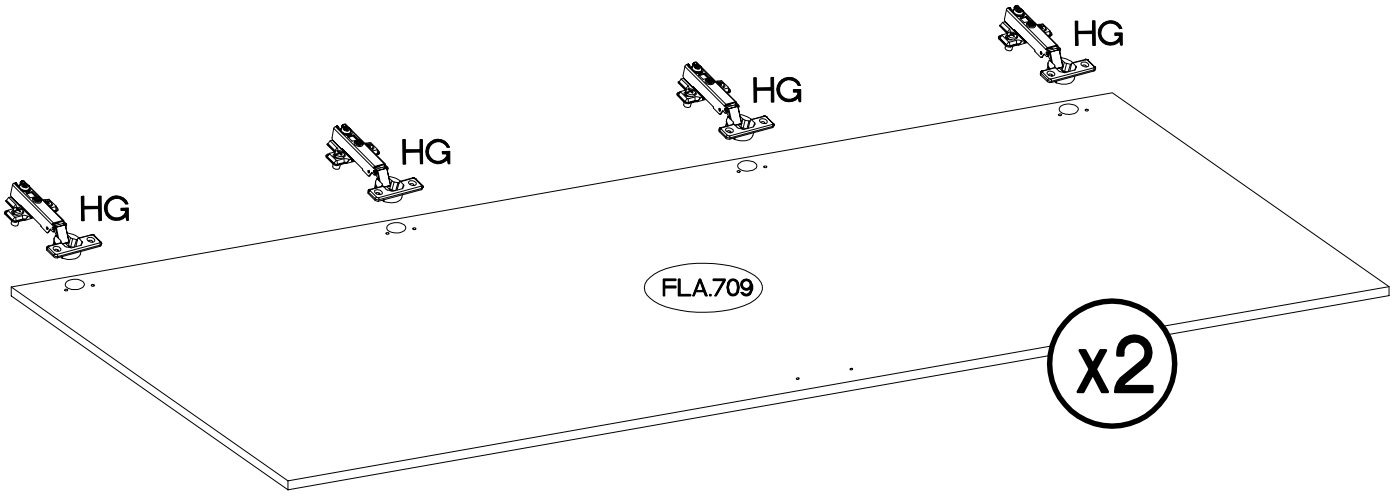
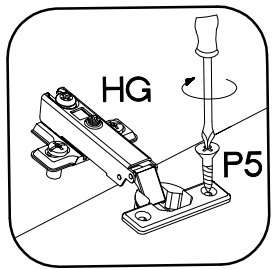




3.

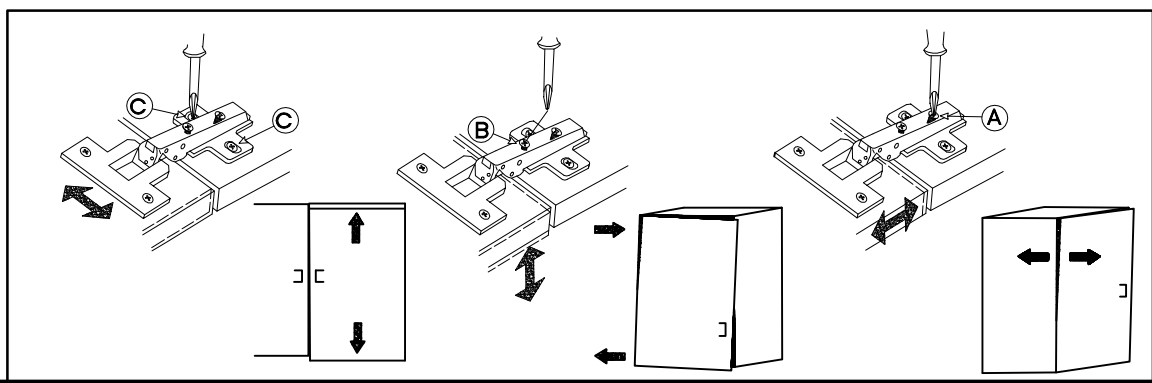
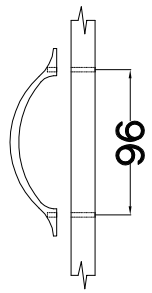
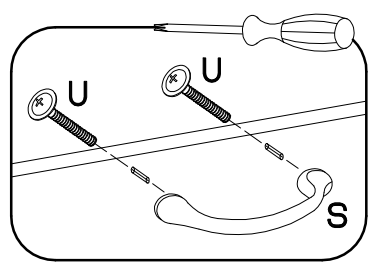
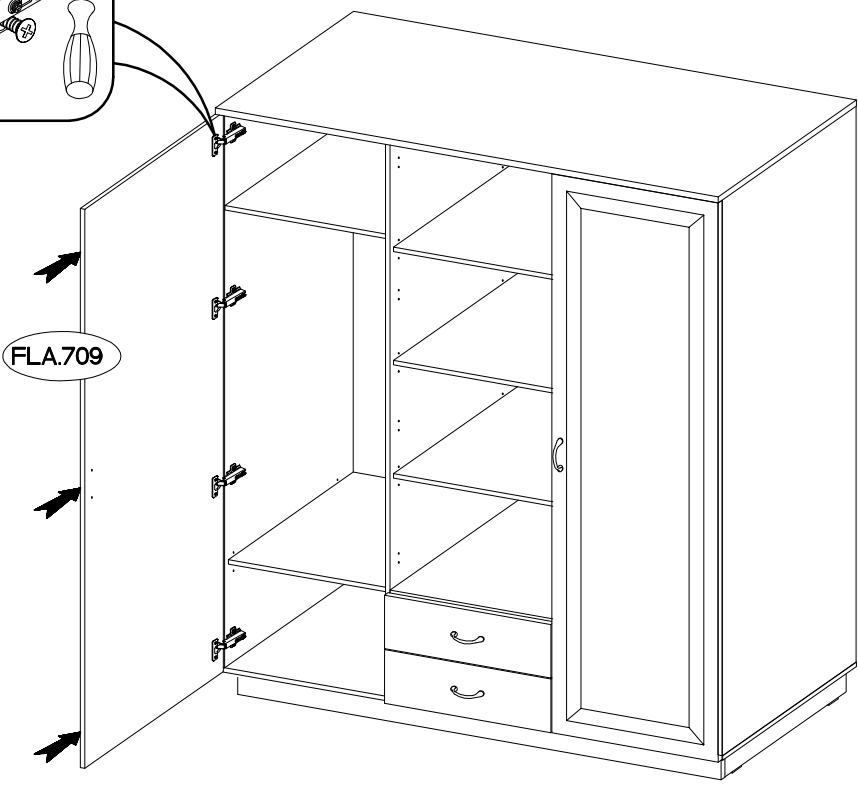
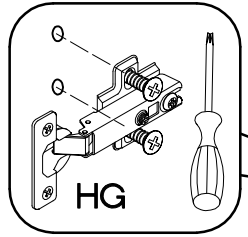
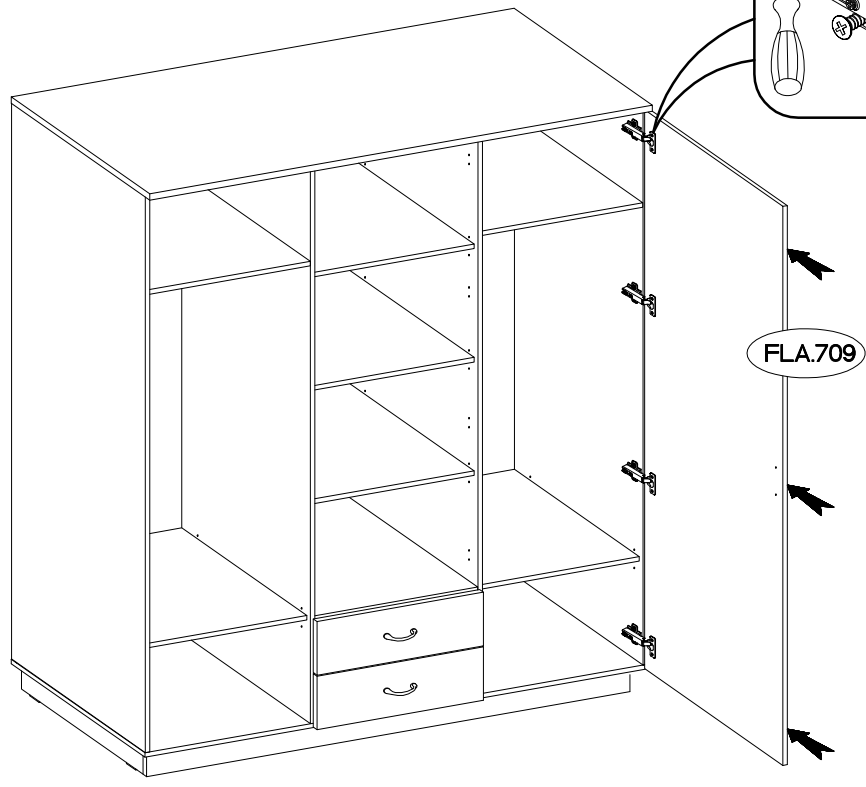
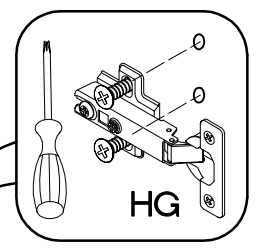




 +35/0mm HG 8	 +35/9mm H=0 HG1 4	 +3.5x13mm P5 24
---	---	--



M4x22mm	
	
U	S
8	4



M4x22mm



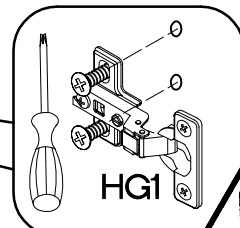
U

2

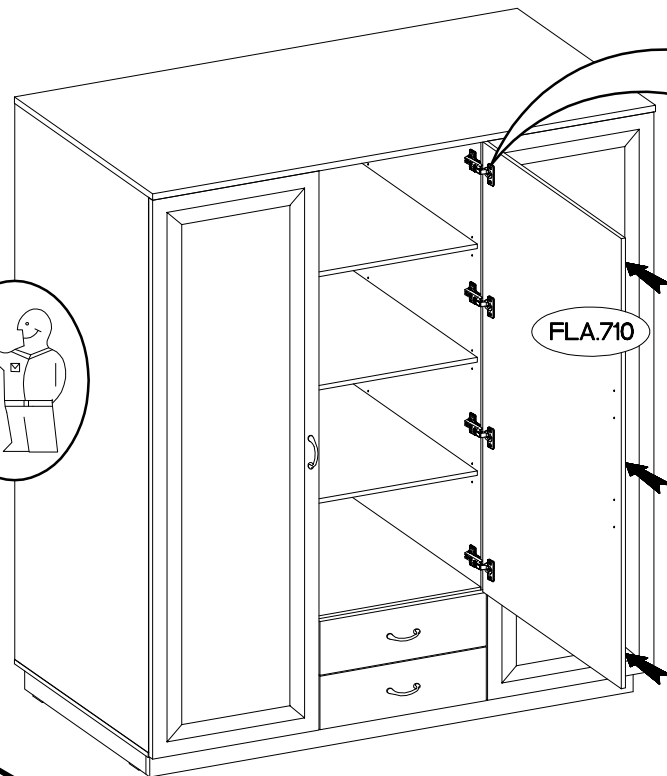
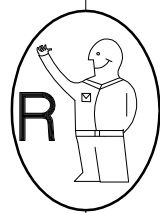


S

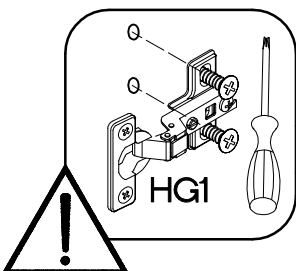
1



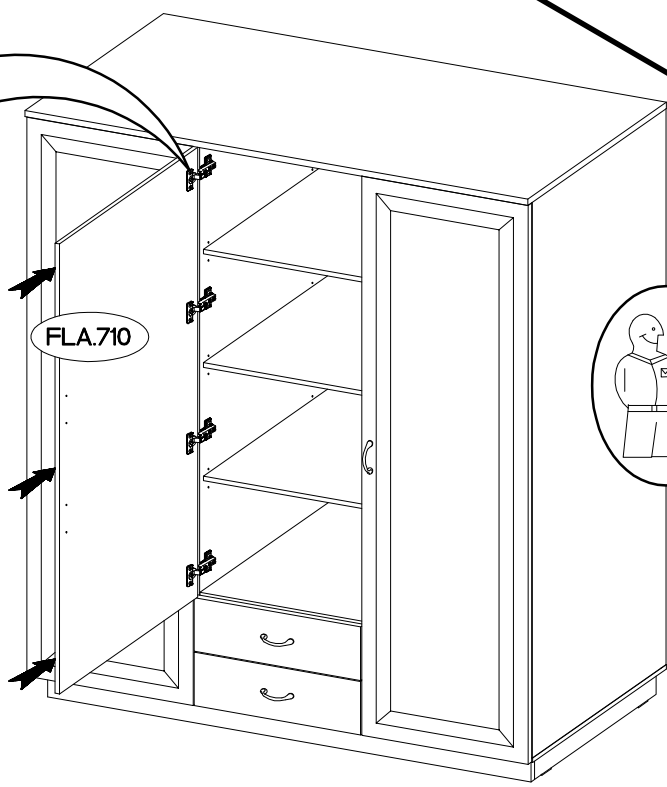
HG1



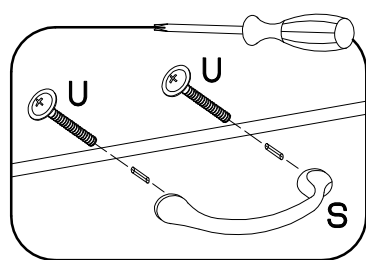
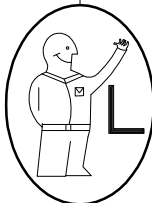
FLA.710



HG1

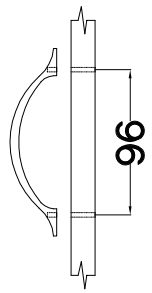


FLA.710



U

S



96

