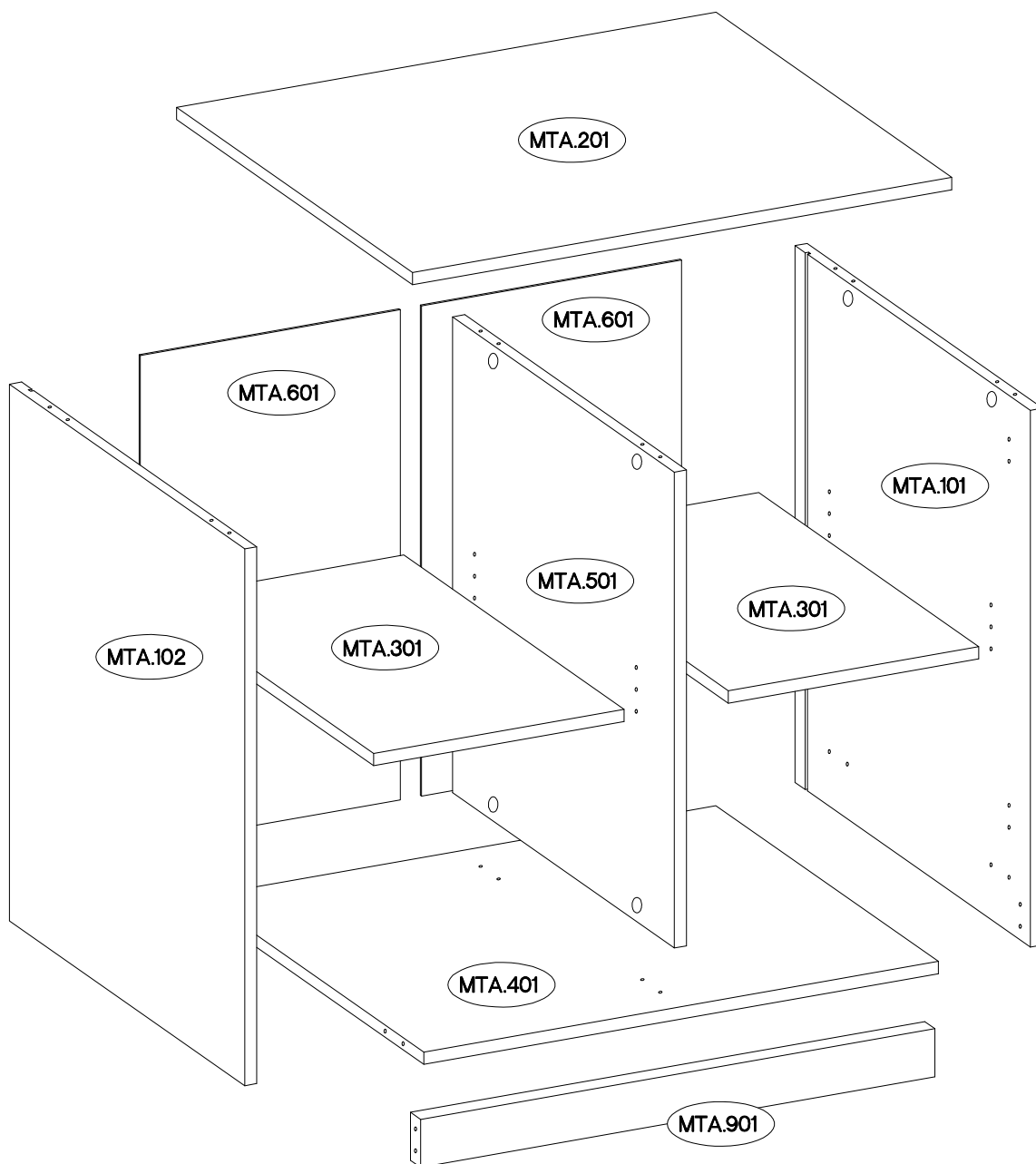
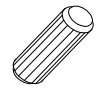
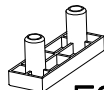




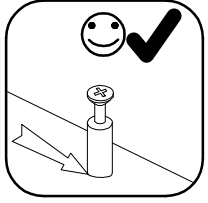
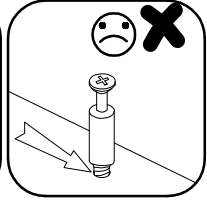
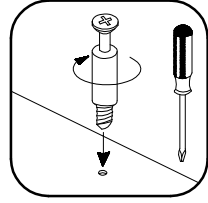
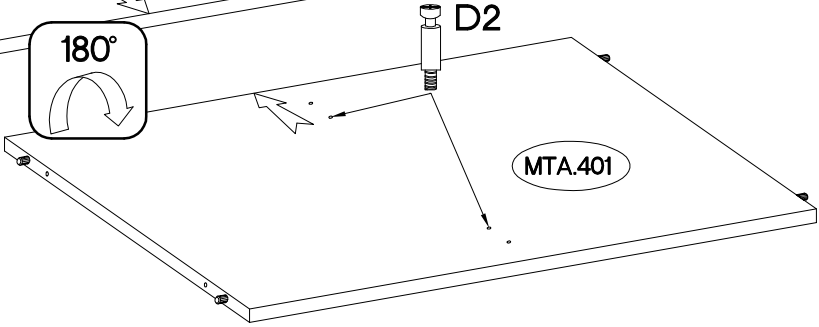
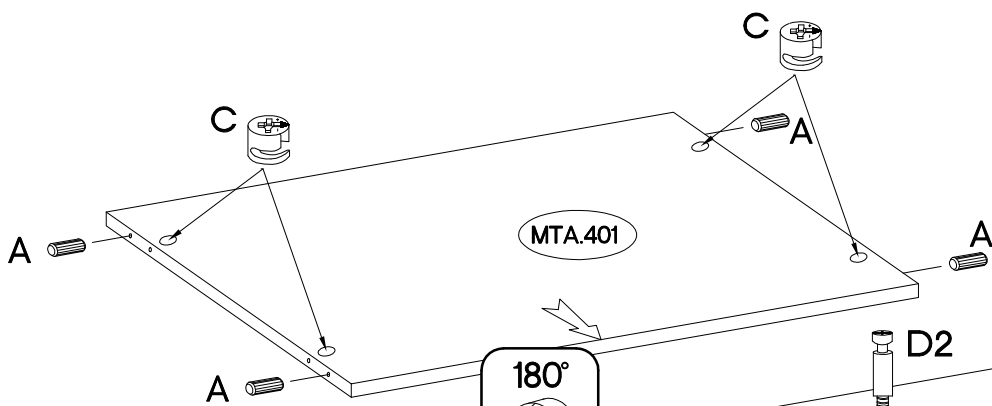
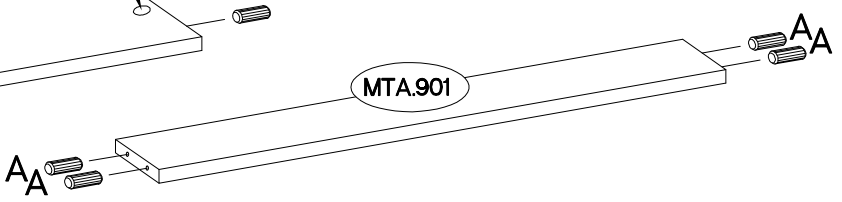
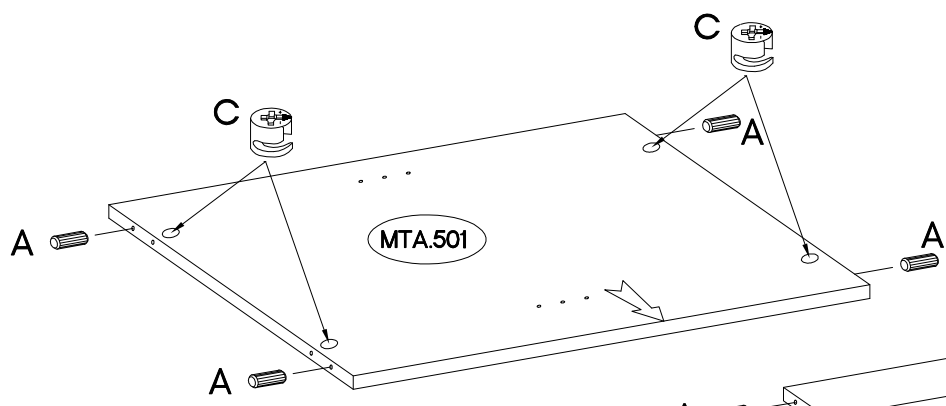
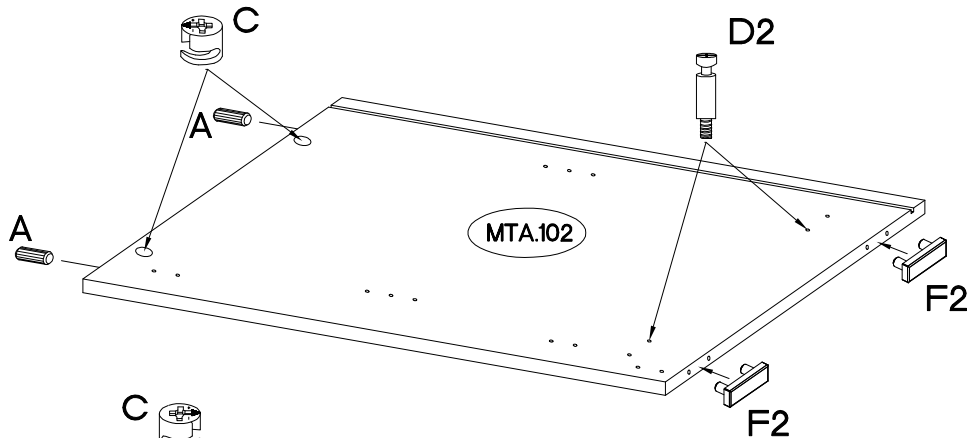
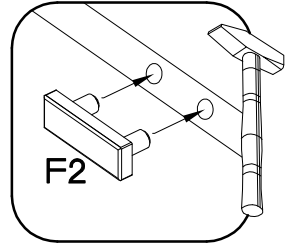
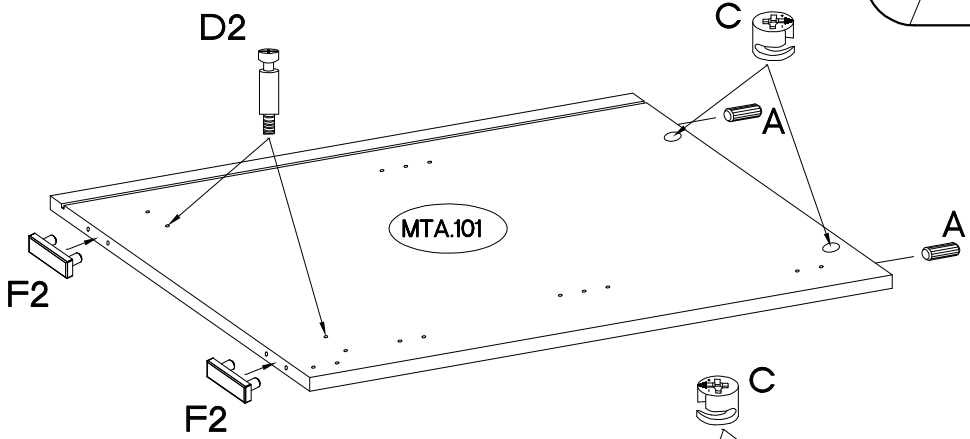
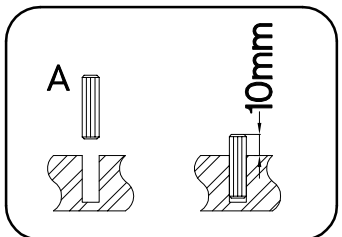
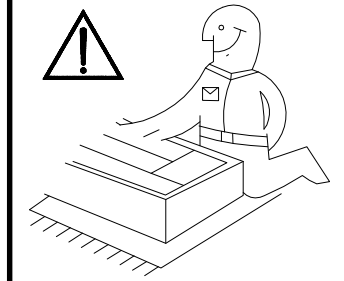
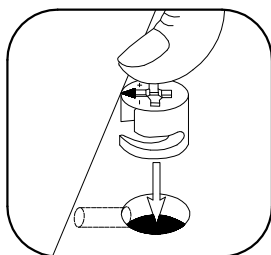
 ±8x30mm A	 ±15/12mm C									
16	12									
 L=20mm D2	 ±20 E11	 6.5x48x16 F2	 ±5/16mm J3	 L	 L2	 L9	 ±5 M10	 ±10x50mm O7	 ±3.5x13mm P5	 ±3.0x20mm P7
12	8	4	8	8	5	1	2	1	1	11



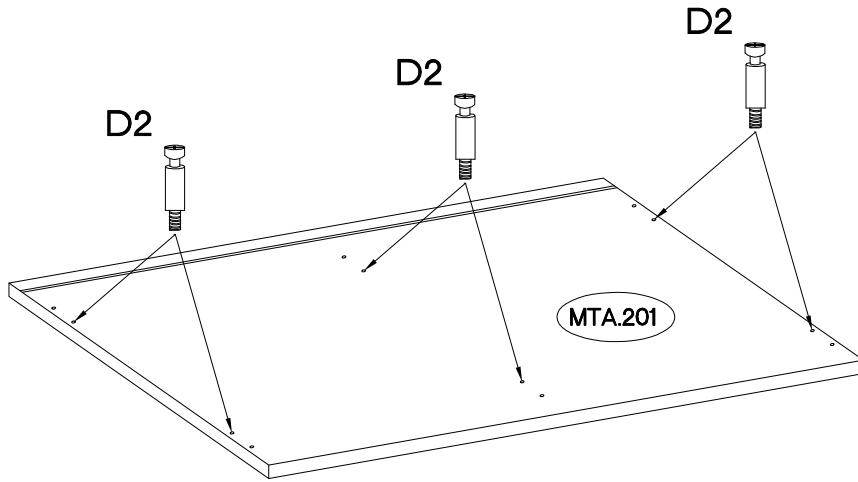
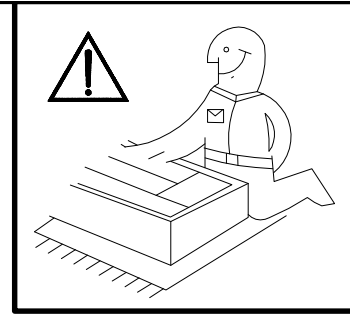
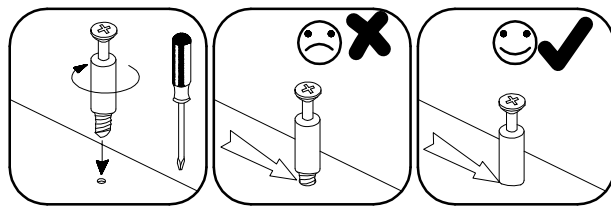
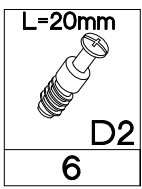
MTA.301

MTA.101	783x419x18
MTA.102	783x419x18
MTA.201	799x420x18
MTA.301 x2	371x392x18
MTA.401	762x396x18
MTA.501	694x395x18
MTA.601 x2	715x385x2,5
MTA.901	762x70x18

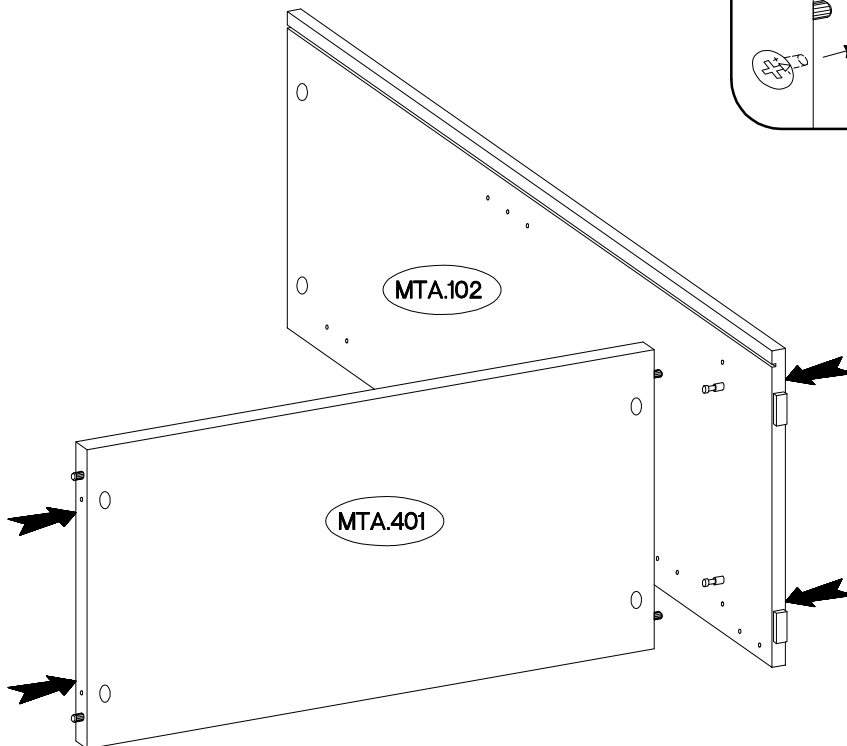
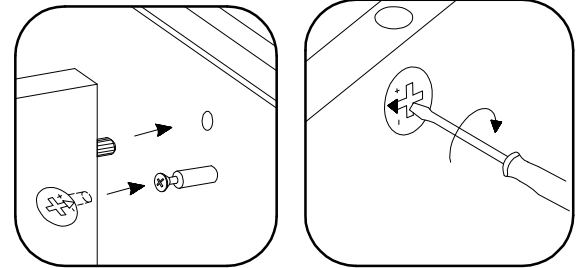
$\varnothing 8 \times 30 \text{mm}$  A 16	$6.5 \times 48 \times 16$  F2 4	$L=20 \text{mm}$  D2 6	$\varnothing 15 / 12 \text{mm}$  C 12
--	--	---	--



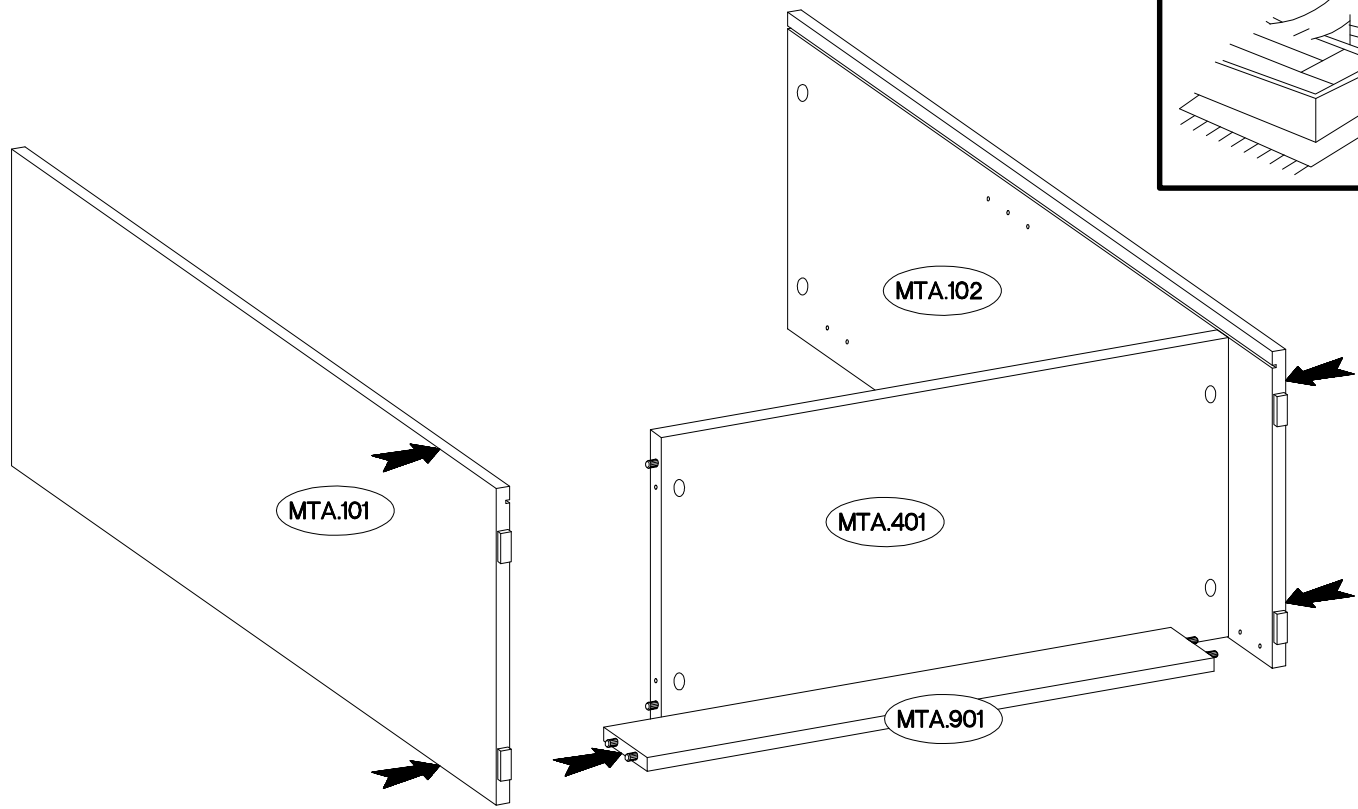
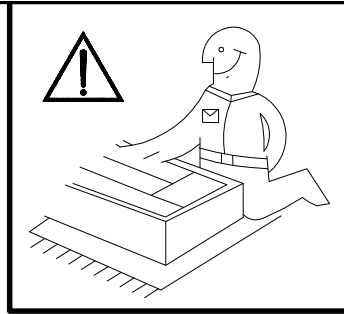
2



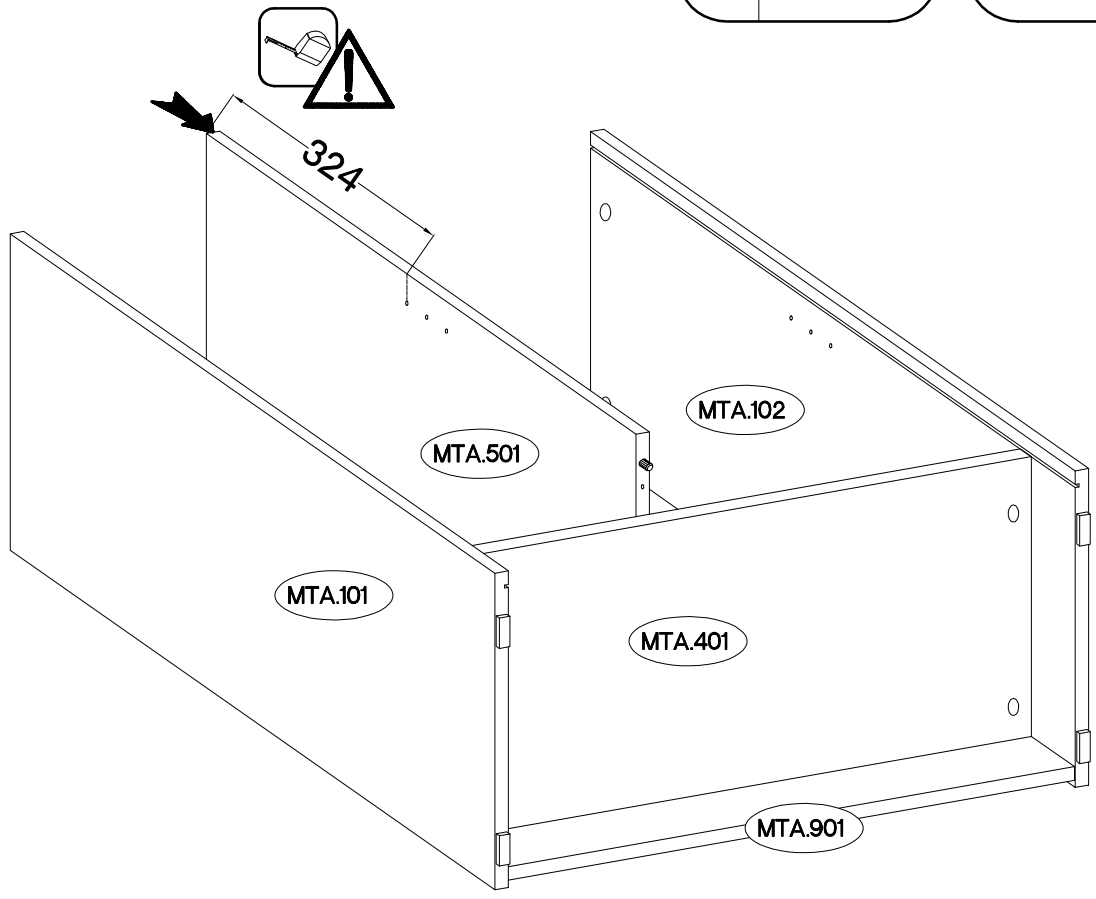
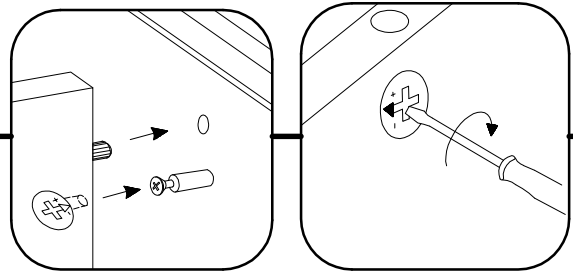
3



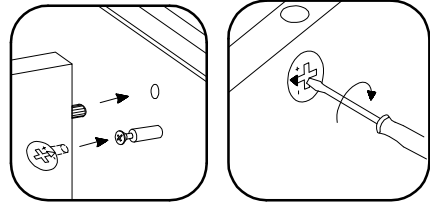
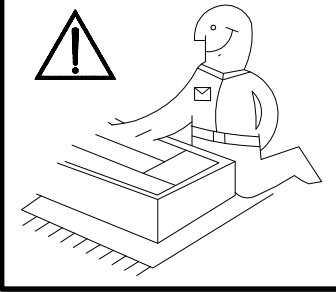
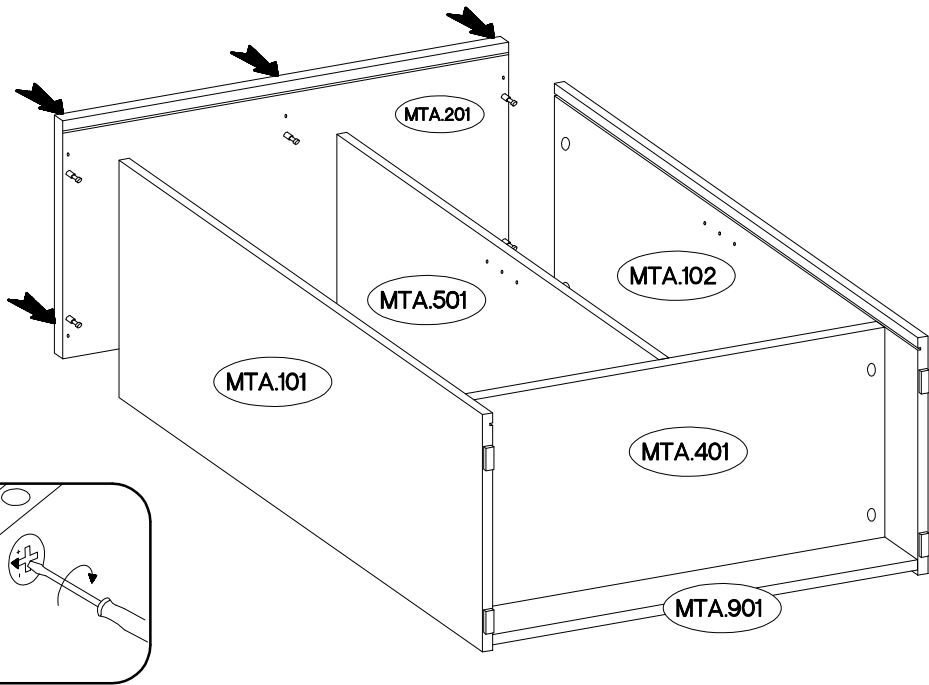
4



5

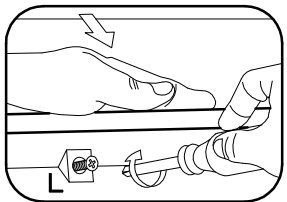
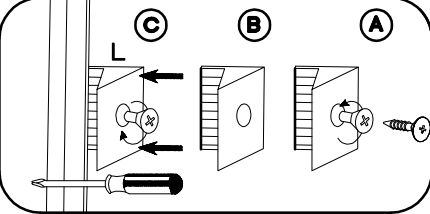
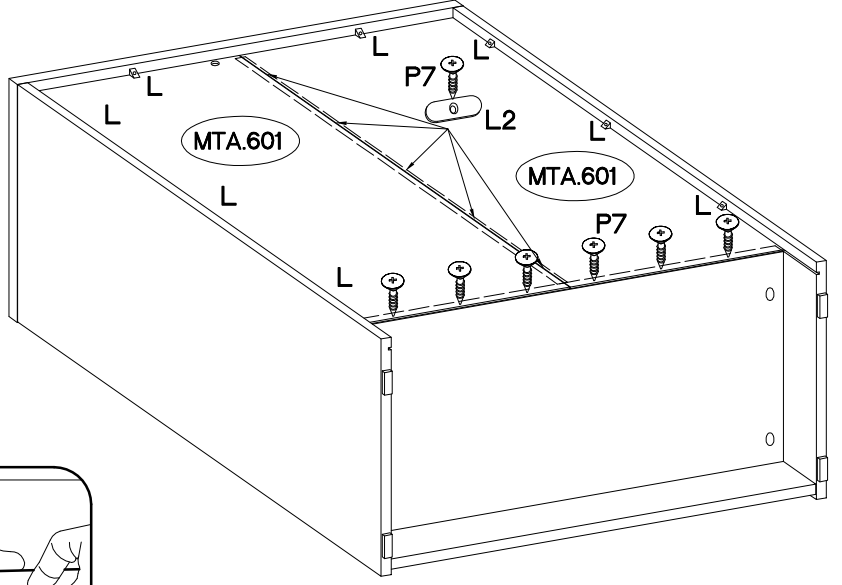
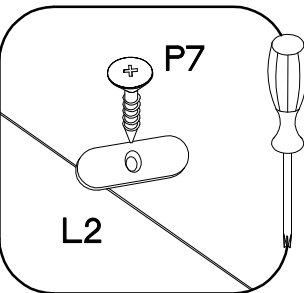
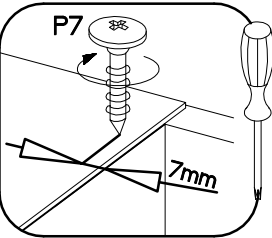
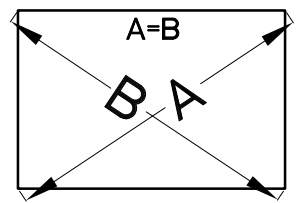
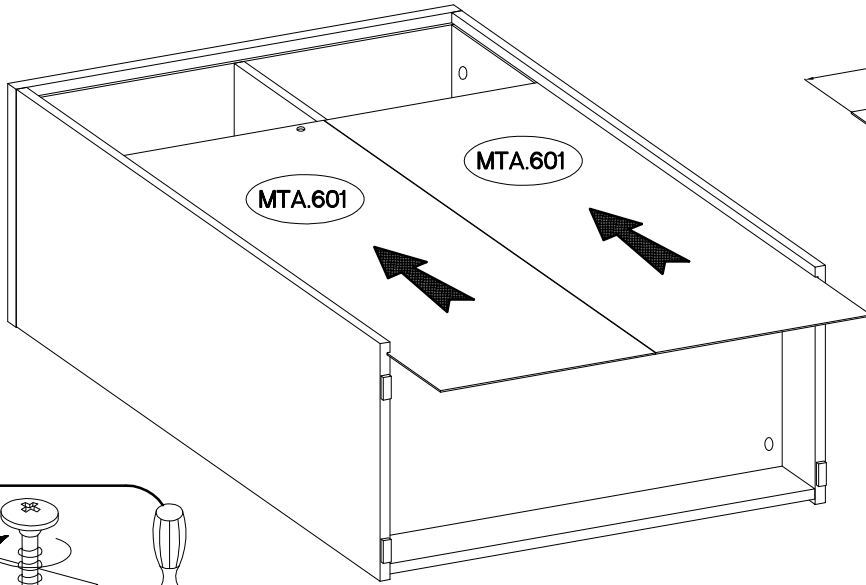
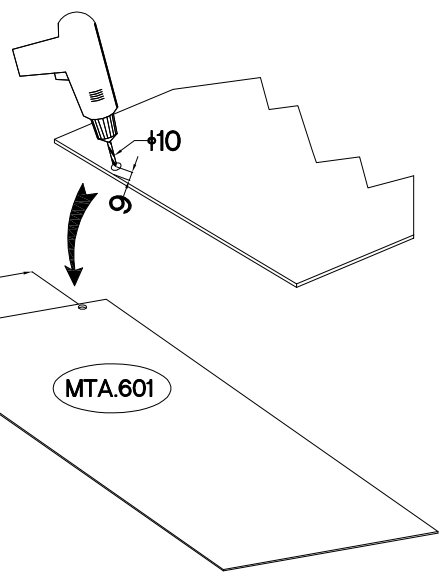


6

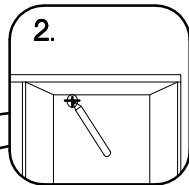


7

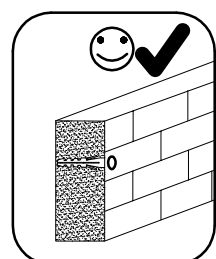
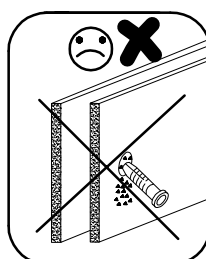
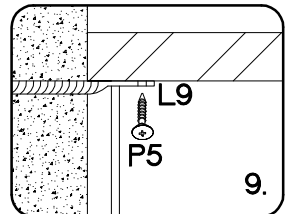
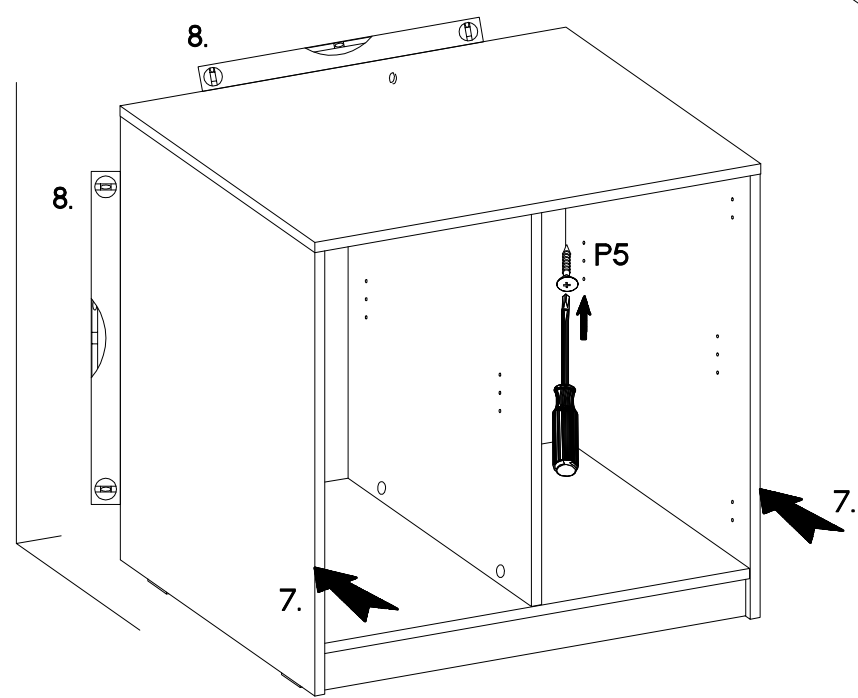
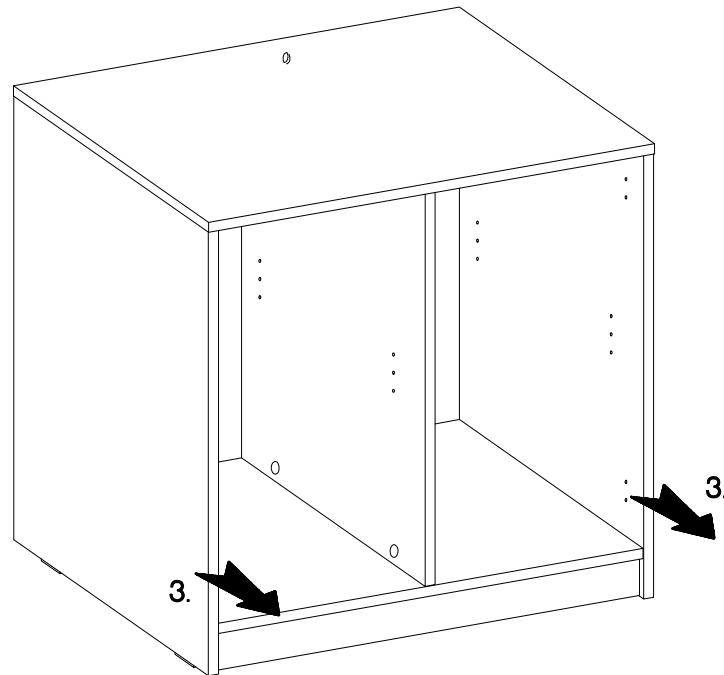
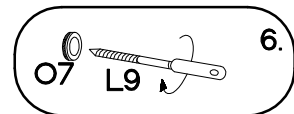
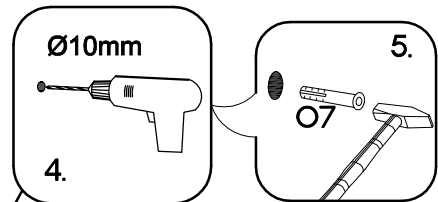
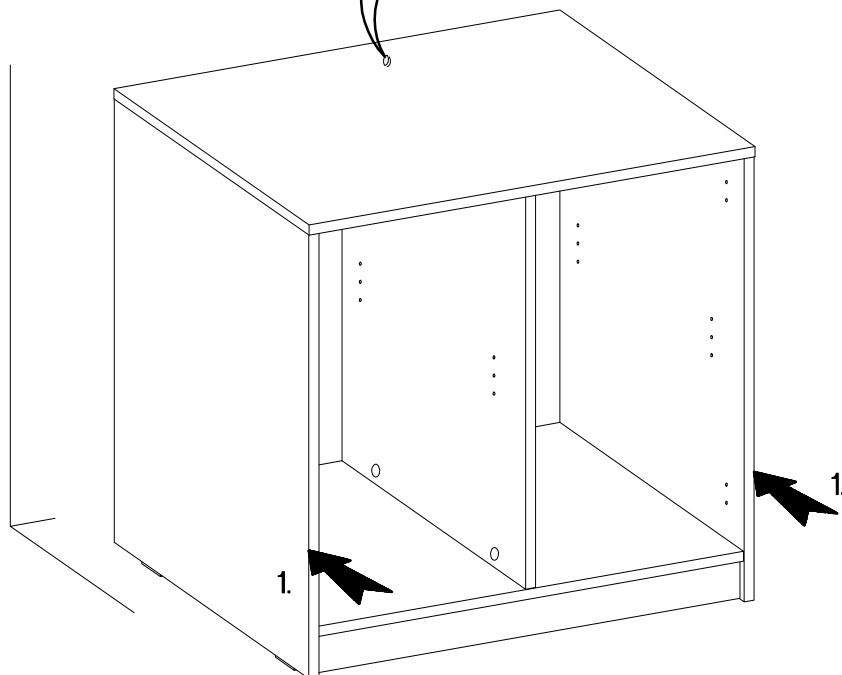
 P7 11	 L2 5	 L 8
--------------	-------------	------------



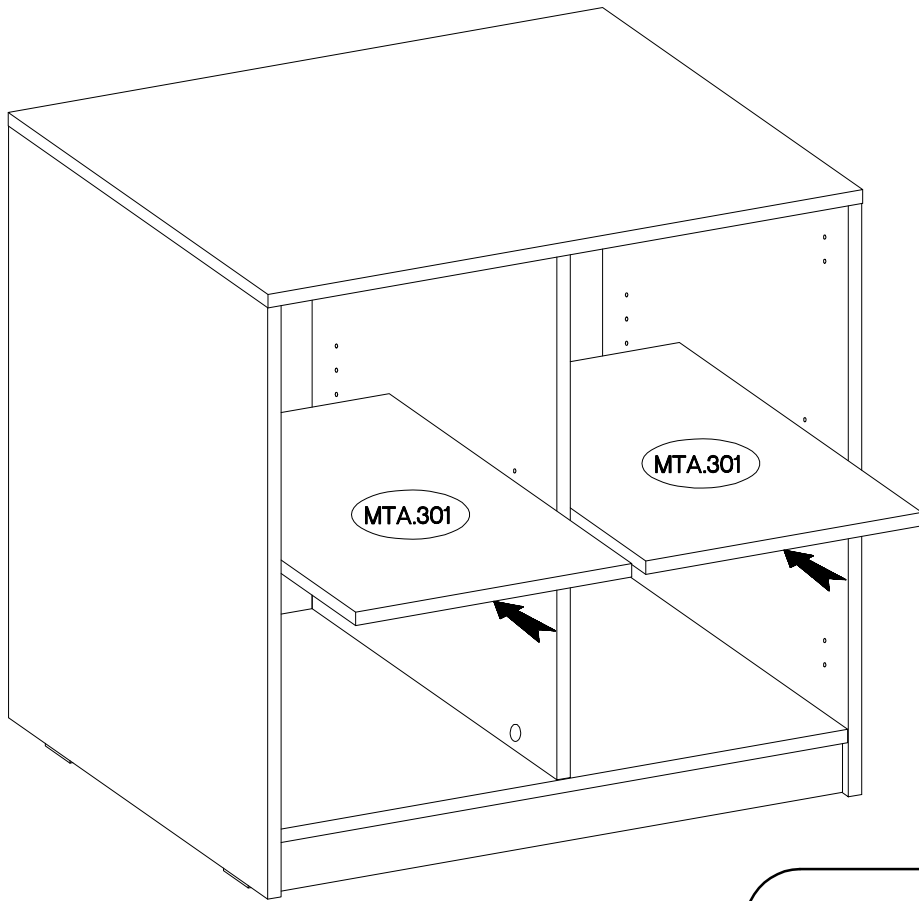
2.

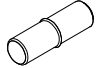
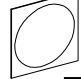


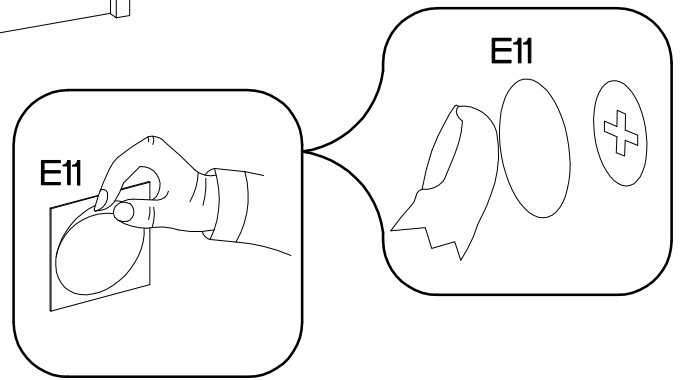
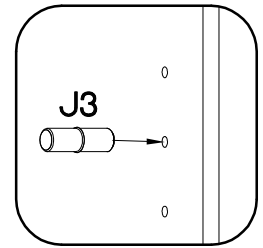
<p>±10x50mm</p> <p>O7</p> <p>1</p>	<p>L9</p> <p>L9</p> <p>1</p>	<p>±3.5x13mm</p> <p>P5</p> <p>1</p>
------------------------------------	------------------------------	-------------------------------------




9



$\pm 5/16\text{mm}$  J3 8	± 20  E11 8
---	---



10

± 5  M10 2

