


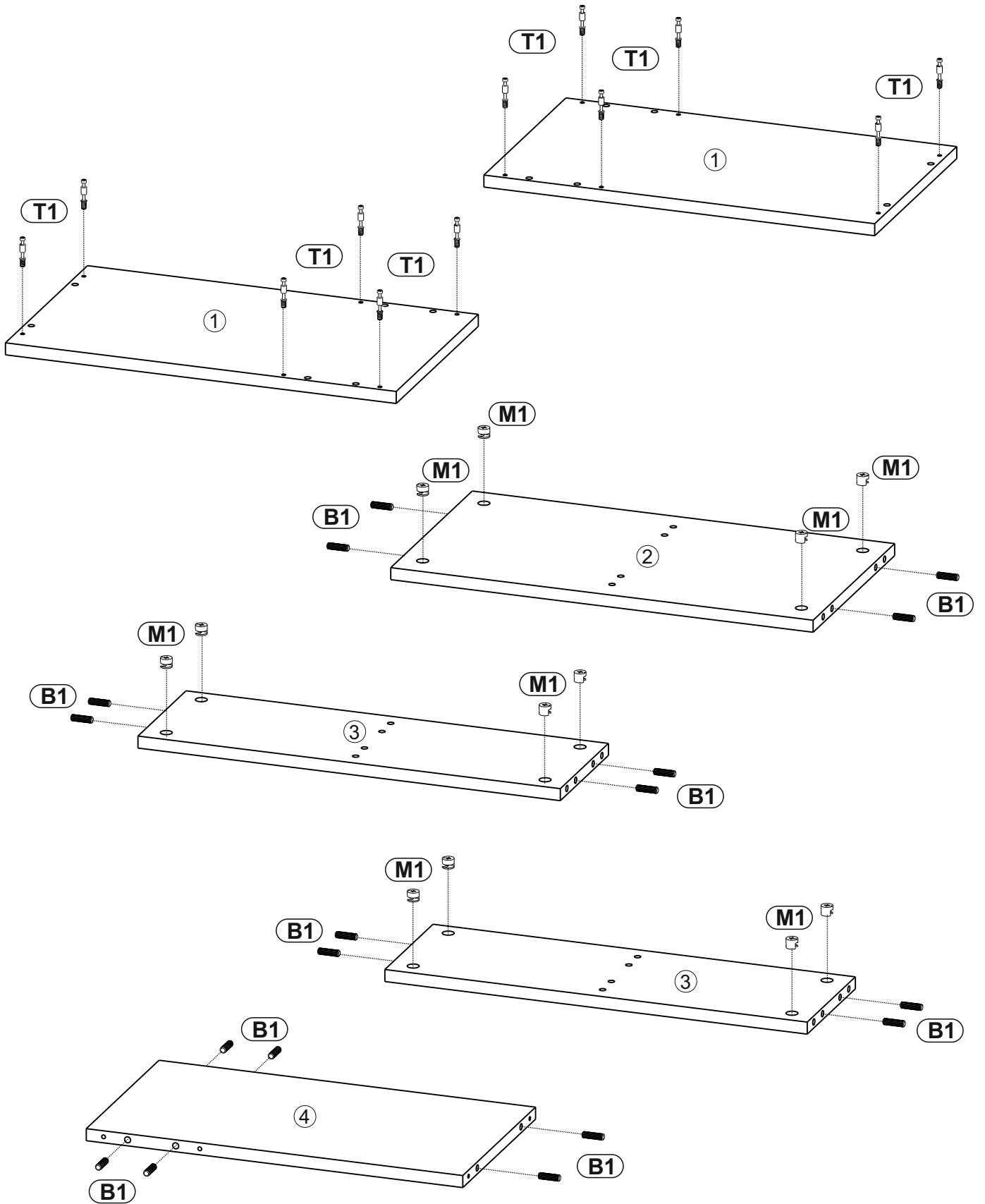
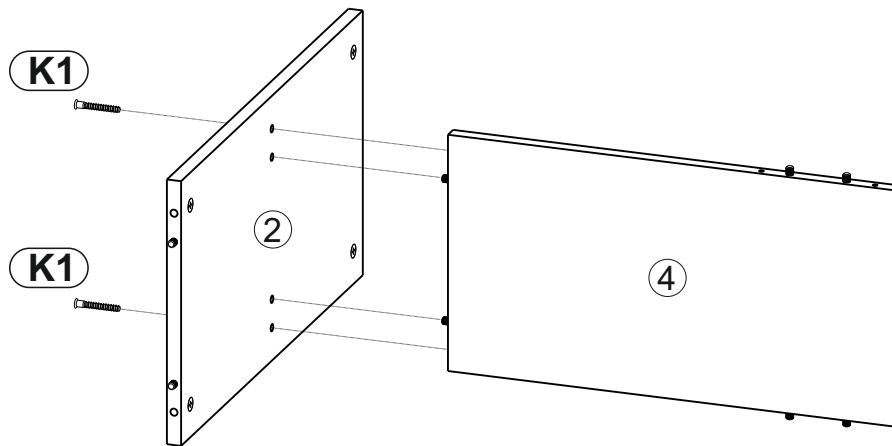


B1  8x28 x18


M1  x12

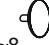
T1  x12

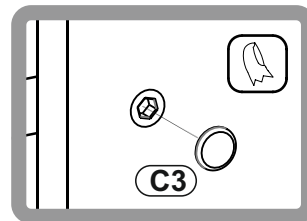
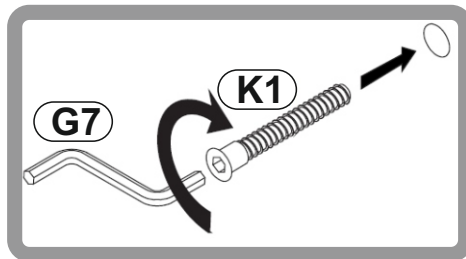




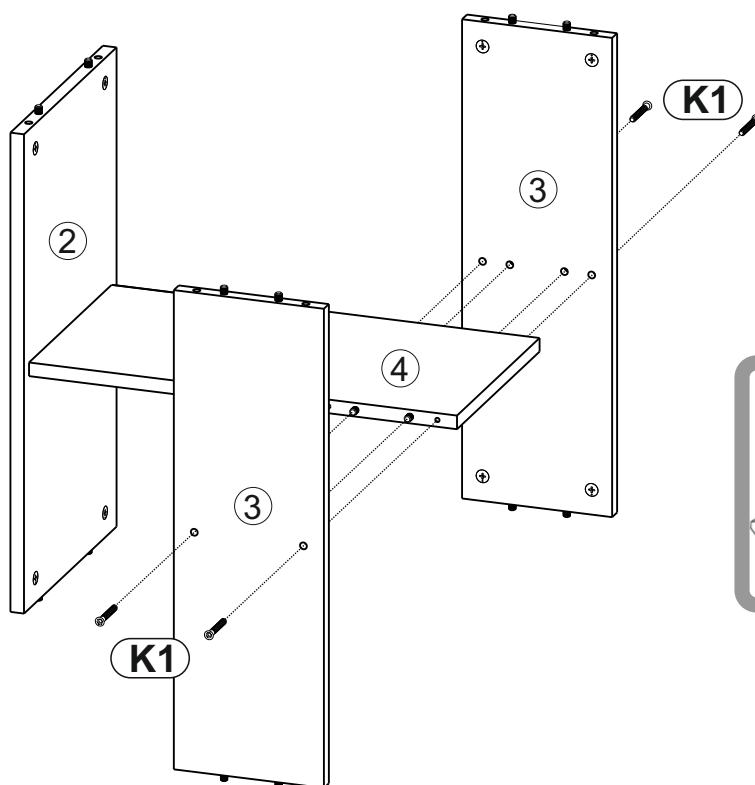
K1  6,4x50 x6

G7  x1


C3  ø8 x6

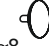


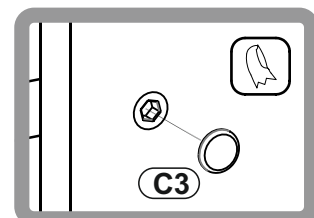
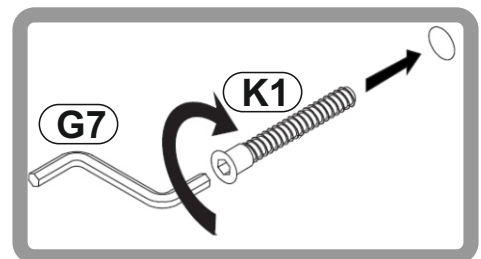
2



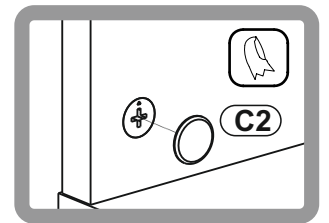
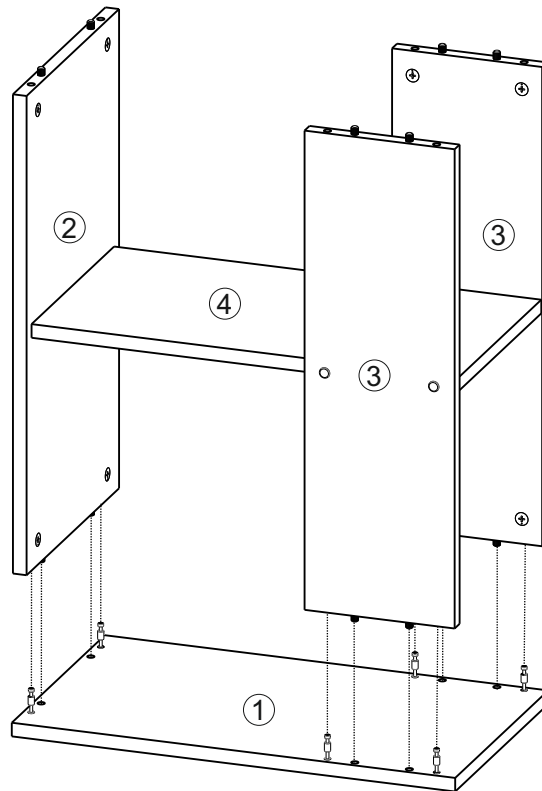
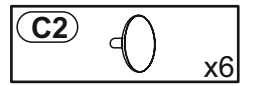
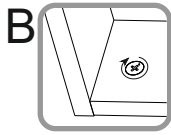
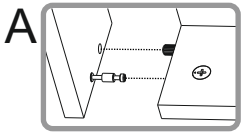
K1  6,4x50 x6

G7  x1

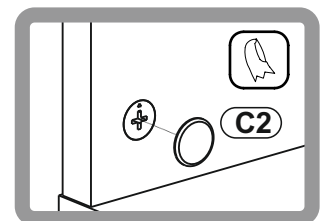
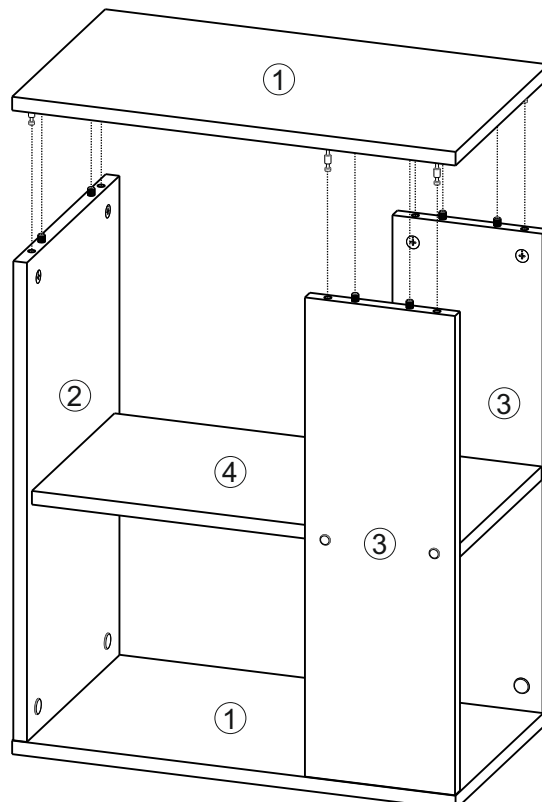
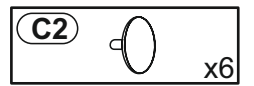
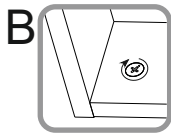
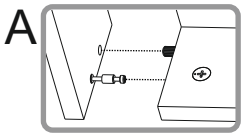
C3  ø8 x6



3



4



5

