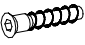

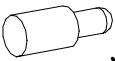
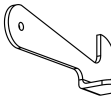

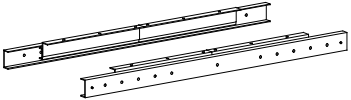
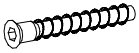



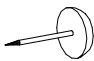
L		M	
7 x 50	x20	x20	


G		H	
	x10	x4	

I		J	
4 x 15	x8	6,3 x 13	x30

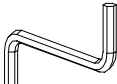
K	
	x1

A		B	
7 x 70	x12	8 x 30	x8

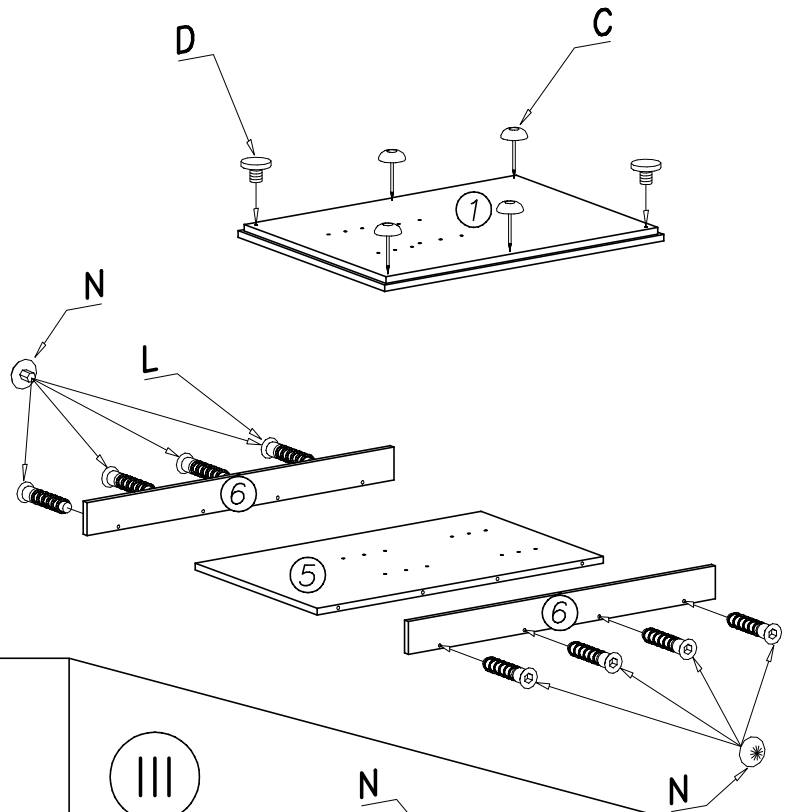
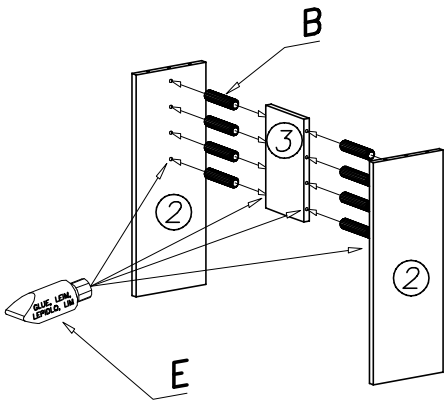
C	
	x4

D	
	x2

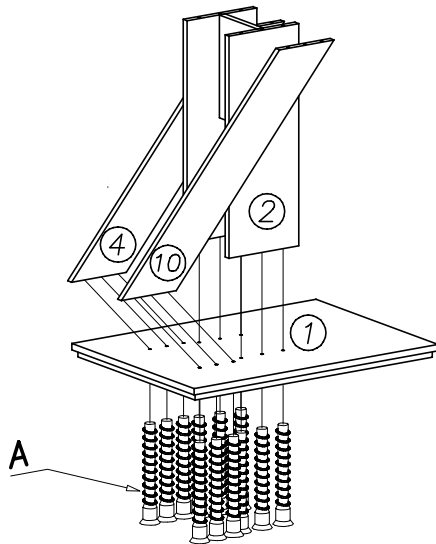
E	
	x1

F	
	x1

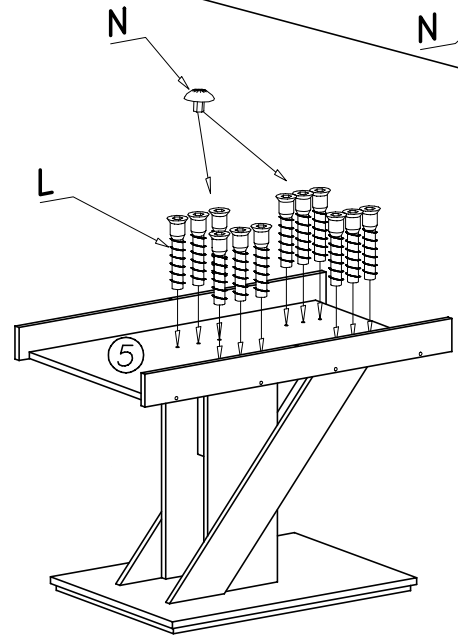
I



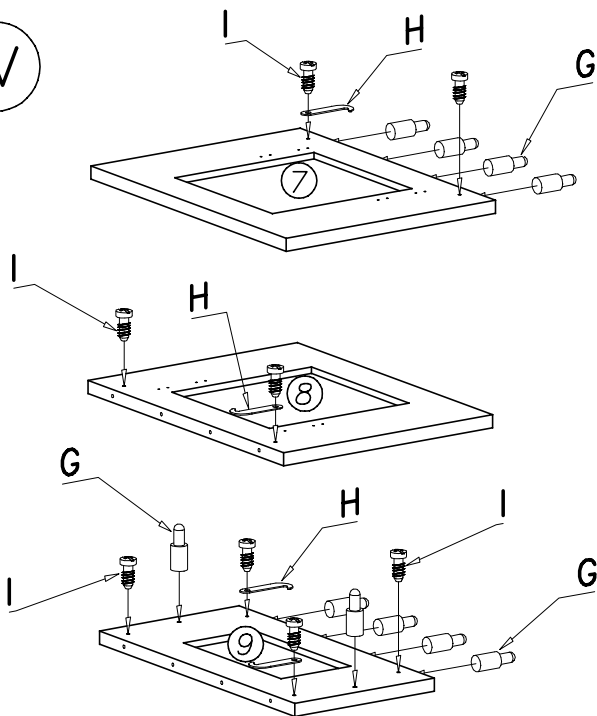
II



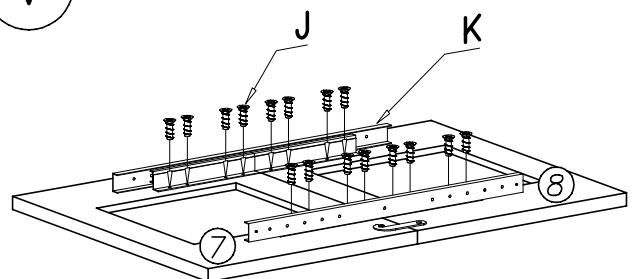
III



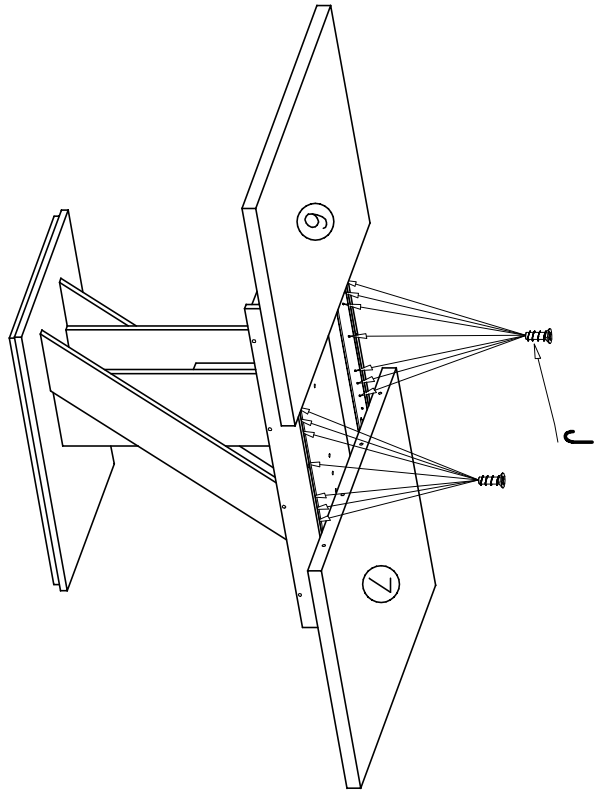
IV



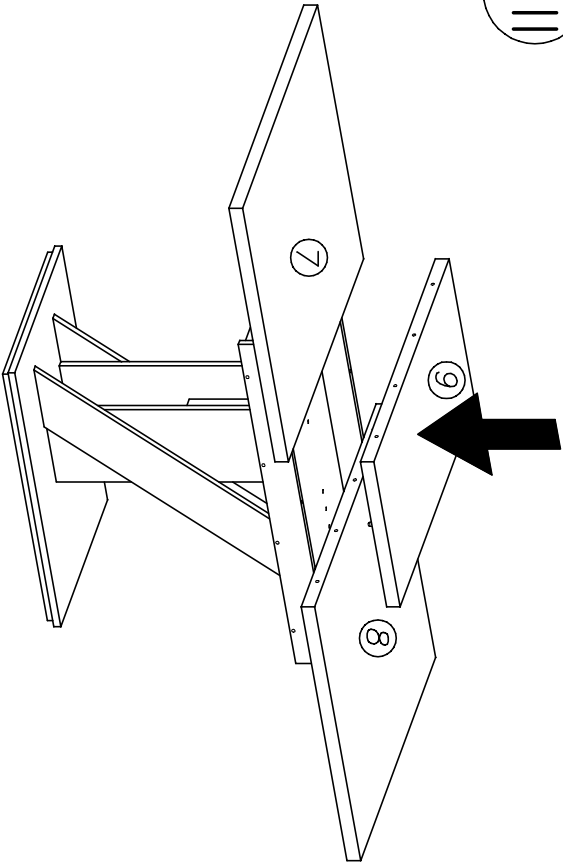
V



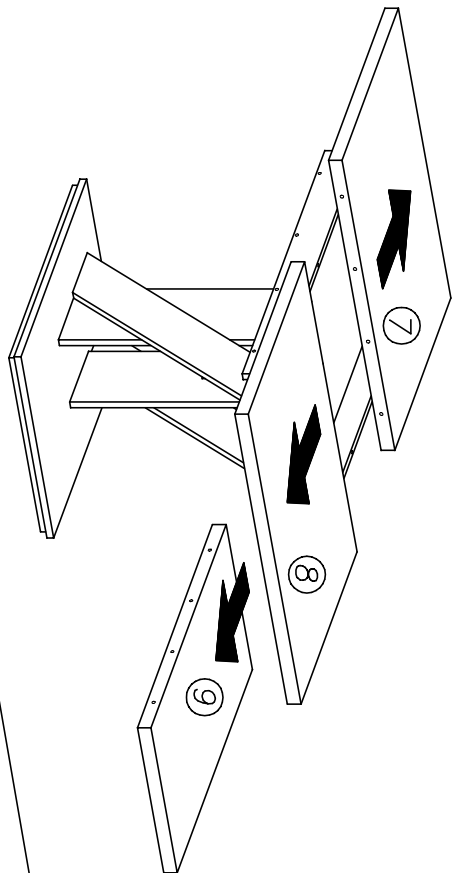
VI



VIII



VII



IX

