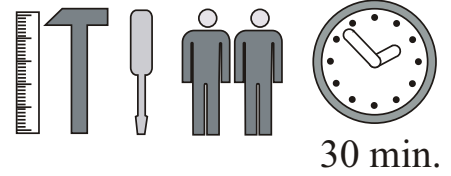
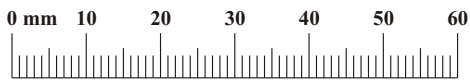
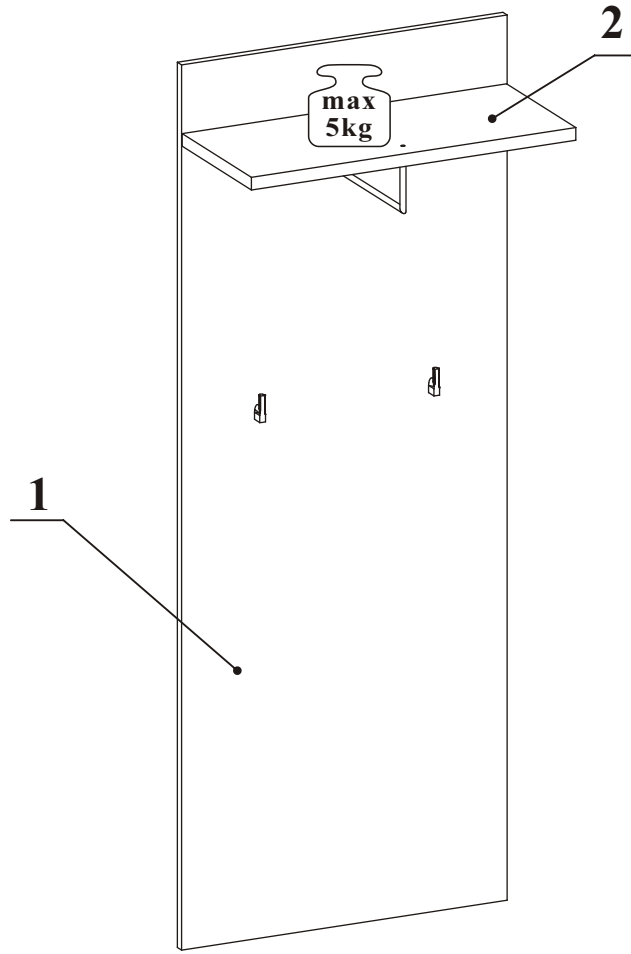
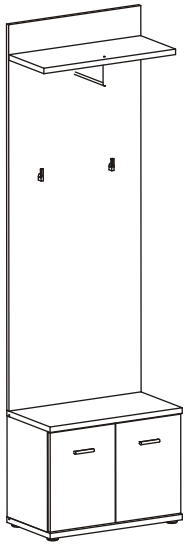
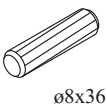
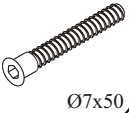


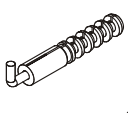
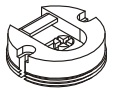
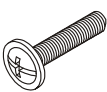
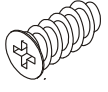



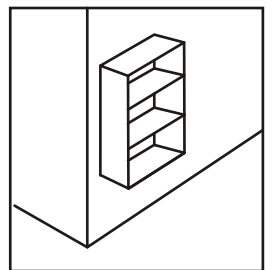
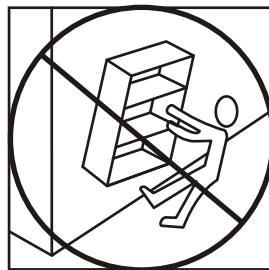
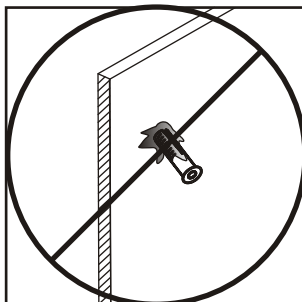
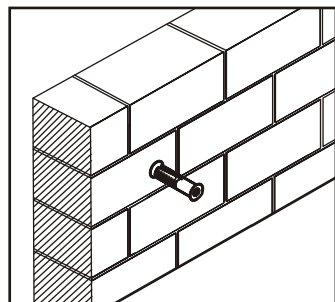
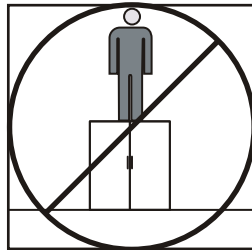
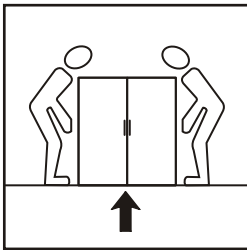
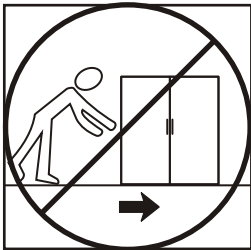
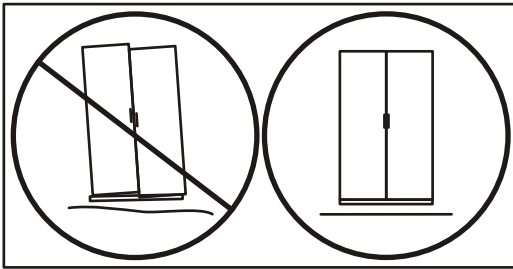
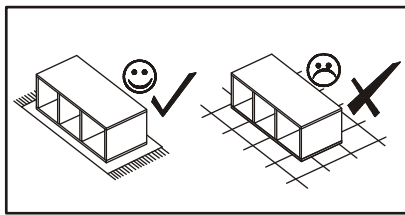
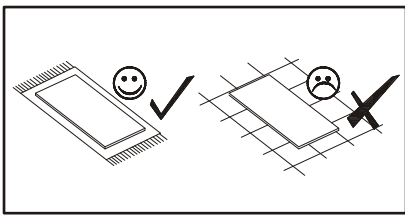
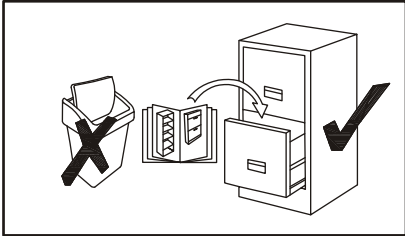
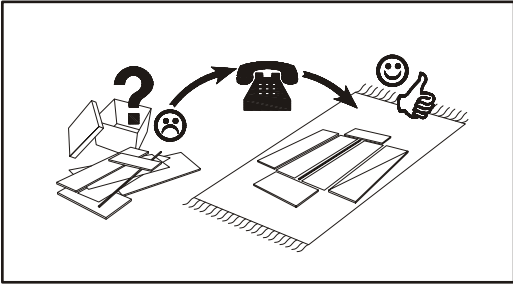


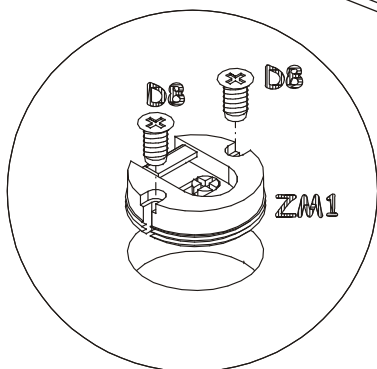
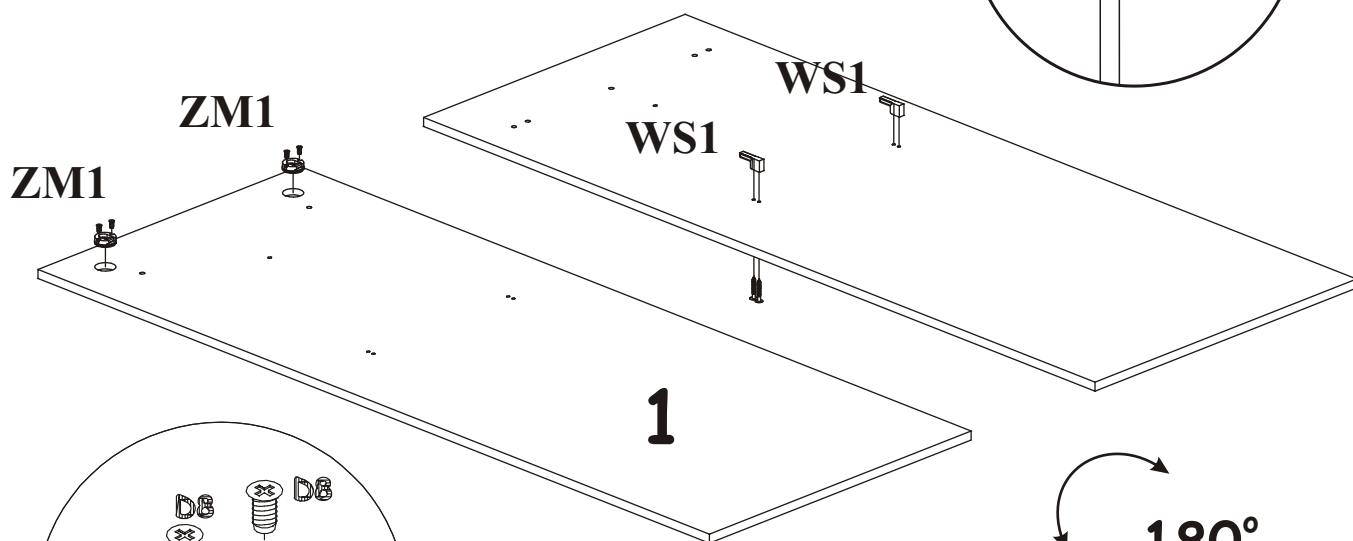
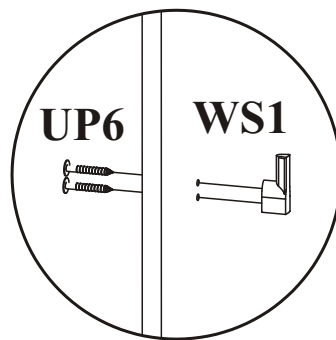
2



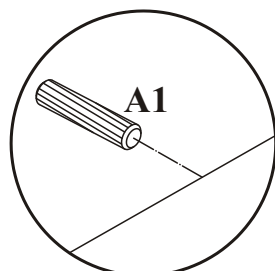
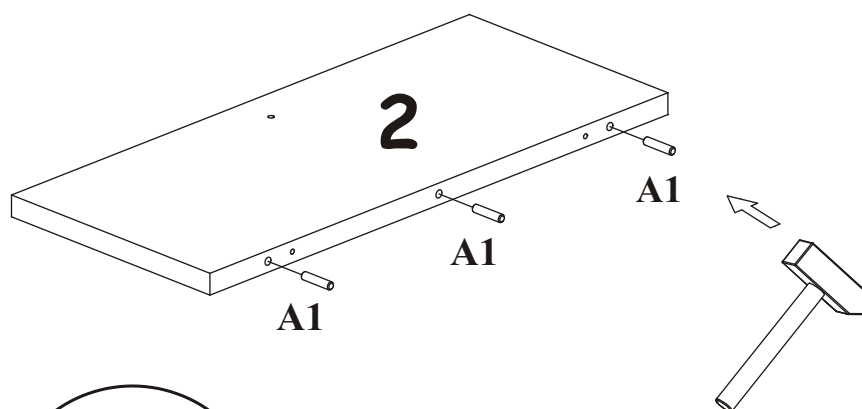
A1 X3	 ø8x36	B11 X2	 Ø7x50	G4 X2		UP6 X4	 UPØ4x30	KR2 X2		ZM1 X2	
D3 X2	 M4x35	D8 X4	 ESØ5x13	WS1 X2		L50 X1		G2 X1			



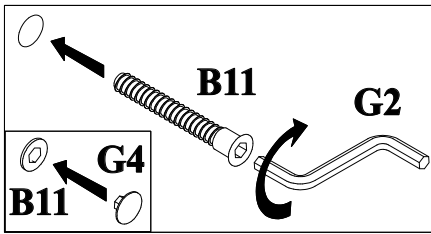
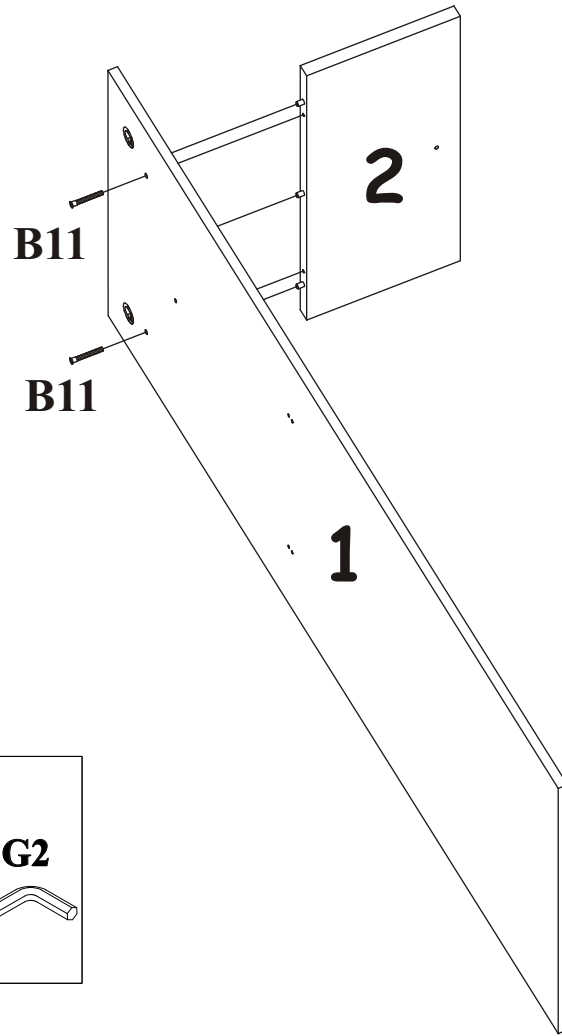
1



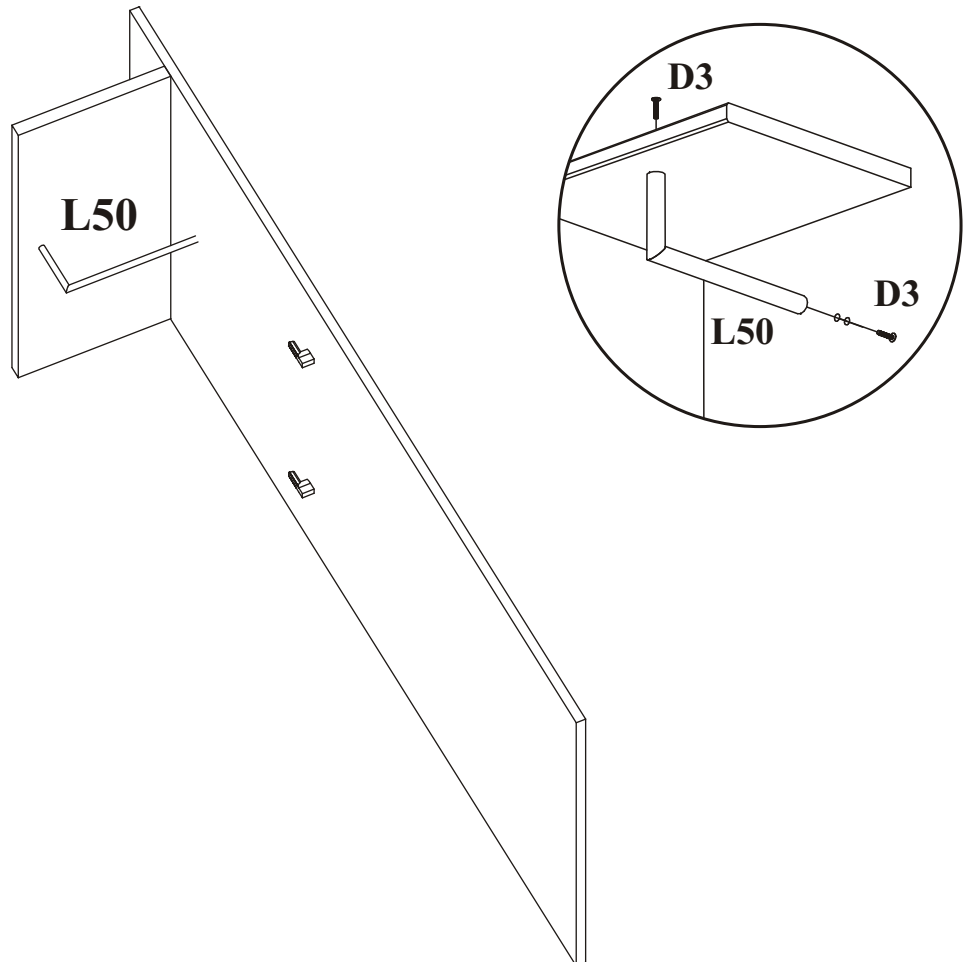
2



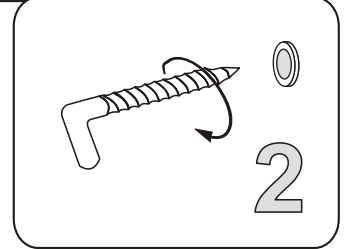
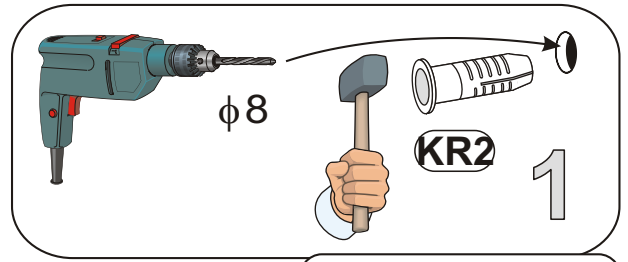
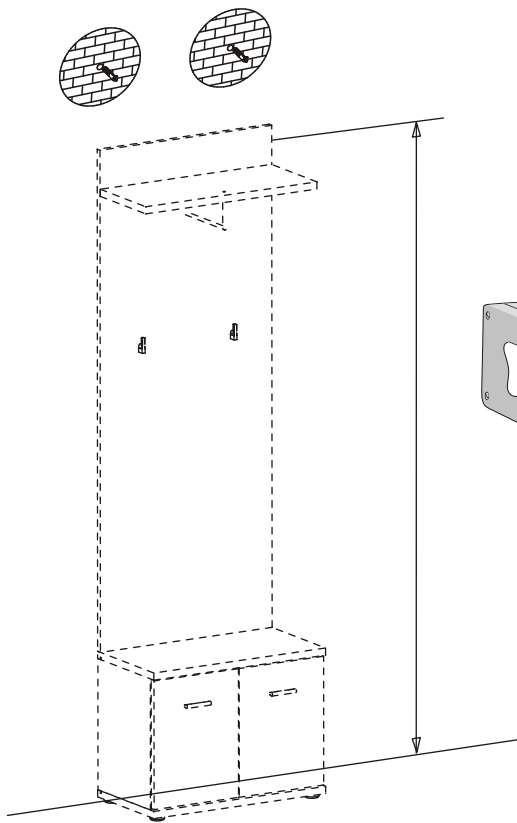
3



4



5



6

