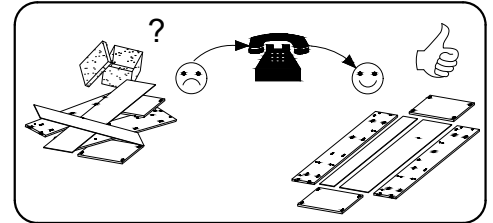
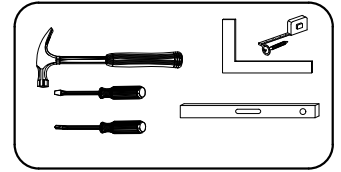
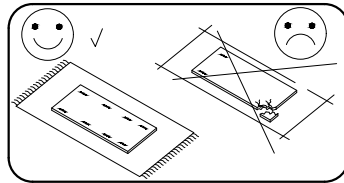
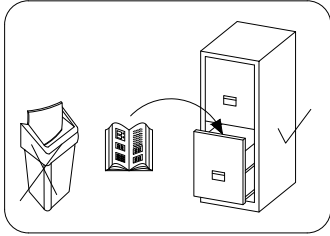
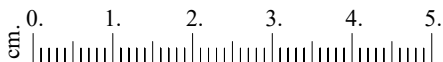


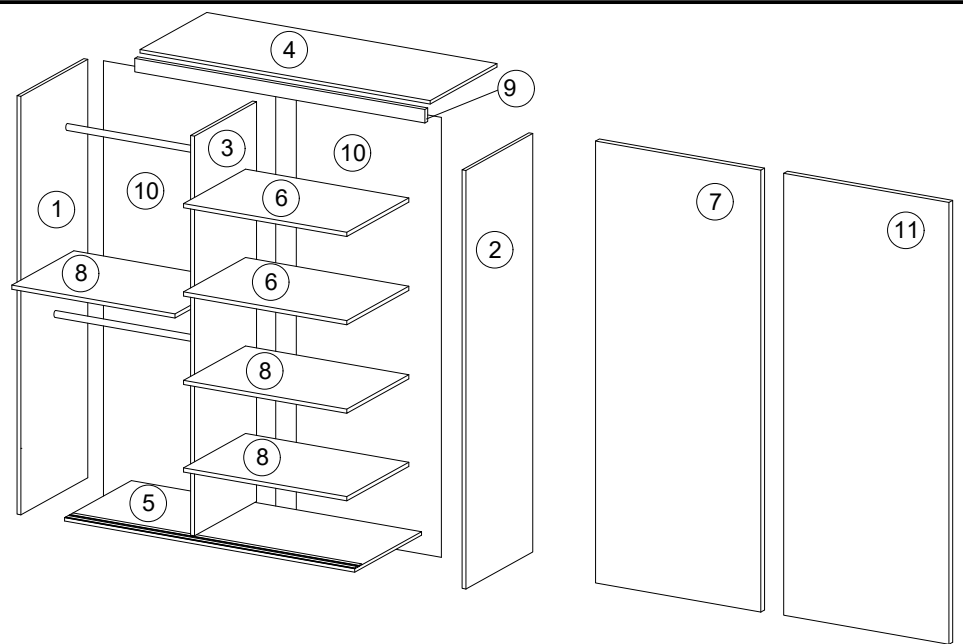
180



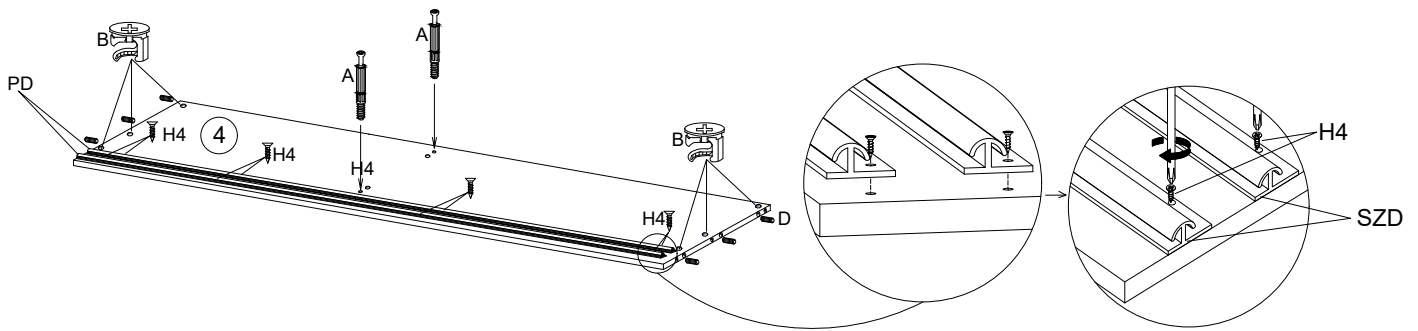
|                 |                 |                |                  |       |                 |                 |                 |               |                  |        |
|-----------------|-----------------|----------------|------------------|-------|-----------------|-----------------|-----------------|---------------|------------------|--------|
| 8.0x35<br><br>D | 4.0x25<br><br>G | <br>Y          | <br>A            | <br>B | 3.5x16<br><br>H | <br>V           | <br>N           | <br>K2        | <br>K1           | <br>S3 |
| 16              | 4               | 12             | 20               | 20    | 24              | 12              | 4               | 4             | 4                | 8      |
| <br>X           | <br>F           | Ø-2.0<br><br>S | 1.4x25<br><br>S1 | <br>I | L-465<br><br>V1 | L-1850<br><br>L | 6.3x13<br><br>Q | <br>M         | <br>Q            | <br>O  |
| 20              | 2               | 19             | 30               | 30    | 2               | 1               | 8               | 6             | 1                | 6      |
|                 |                 |                |                  |       |                 |                 |                 | L-?<br><br>PD | 3.0x13<br><br>H4 | <br>X1 |
|                 |                 |                |                  |       |                 |                 |                 | 4             | 16               | 6      |



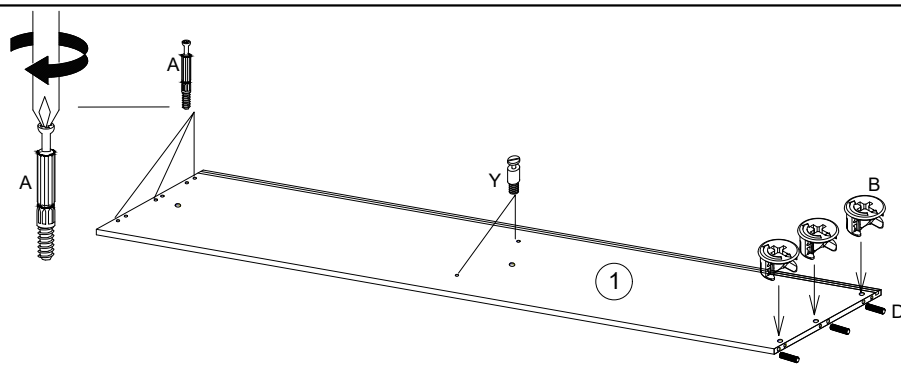
|     |   |      |     |    |
|-----|---|------|-----|----|
| 1.  | 1 | 1905 | 620 | 16 |
| 2.  | 1 | 1905 | 620 | 16 |
| 3.  | 1 | 1888 | 480 | 16 |
| 4.  | 1 | 968  | 580 | 16 |
| 5.  | 1 | 1004 | 625 | 18 |
| 6.  | 2 | 475  | 480 | 16 |
| 7.  | 1 | 1873 | 500 | 16 |
| 8.  | 3 | 475  | 480 | 16 |
| 9.  | 1 | 968  | 70  | 18 |
| 10. | 2 | 1912 | 492 | 3  |
| 11. | 1 | 1873 | 500 | 16 |



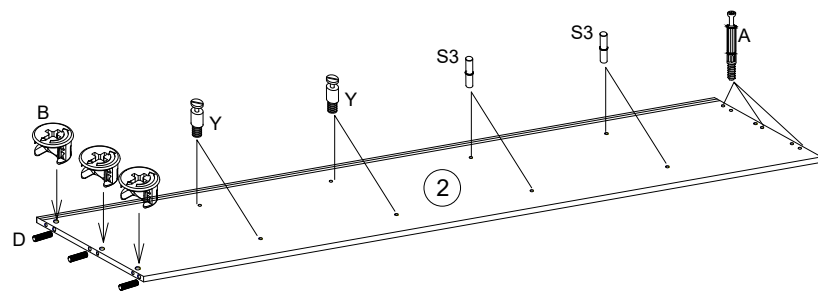
**1**



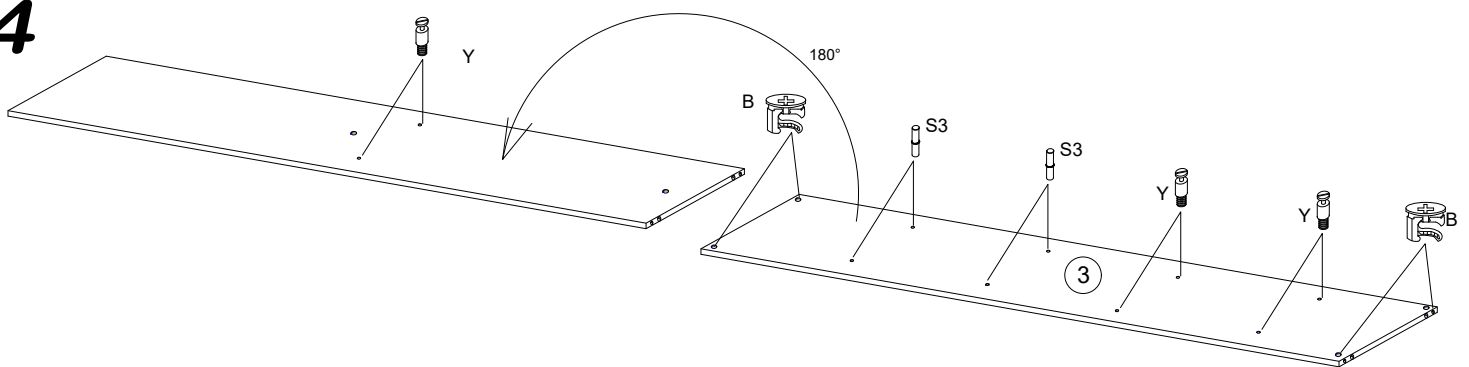
**2**



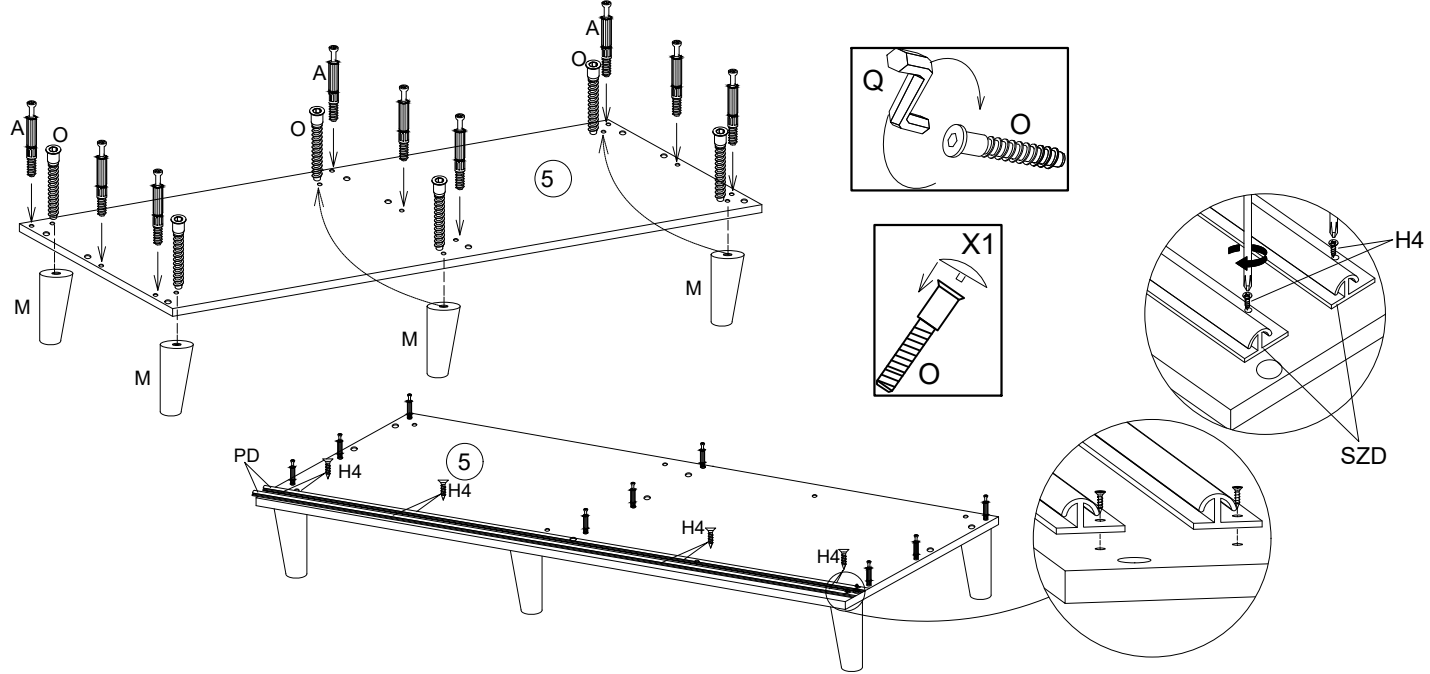
**3**



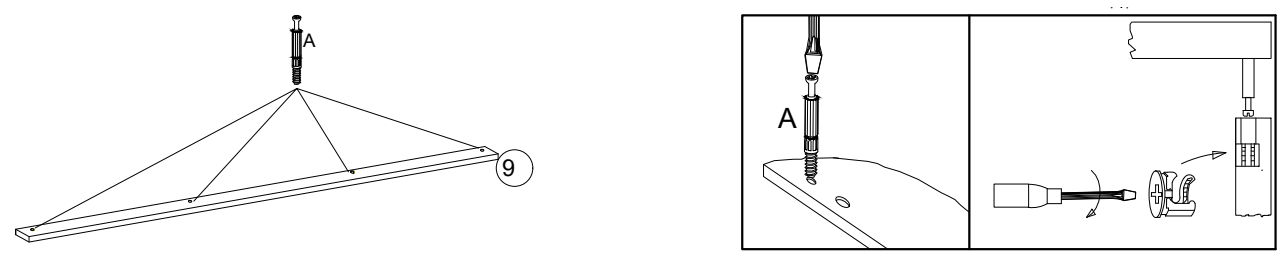
**4**



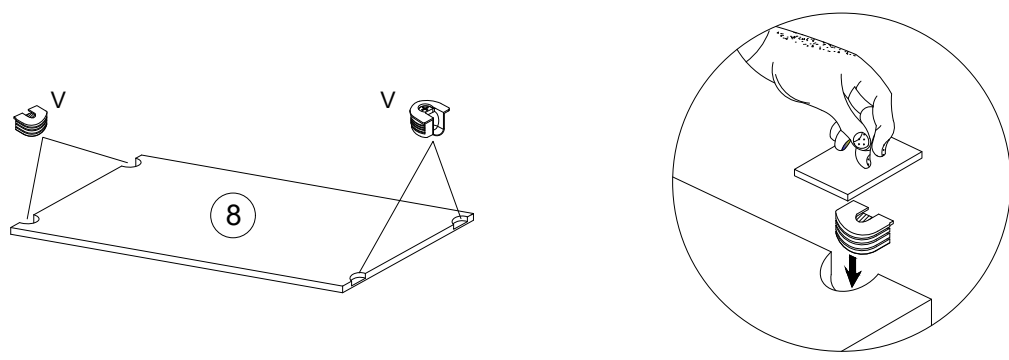
5



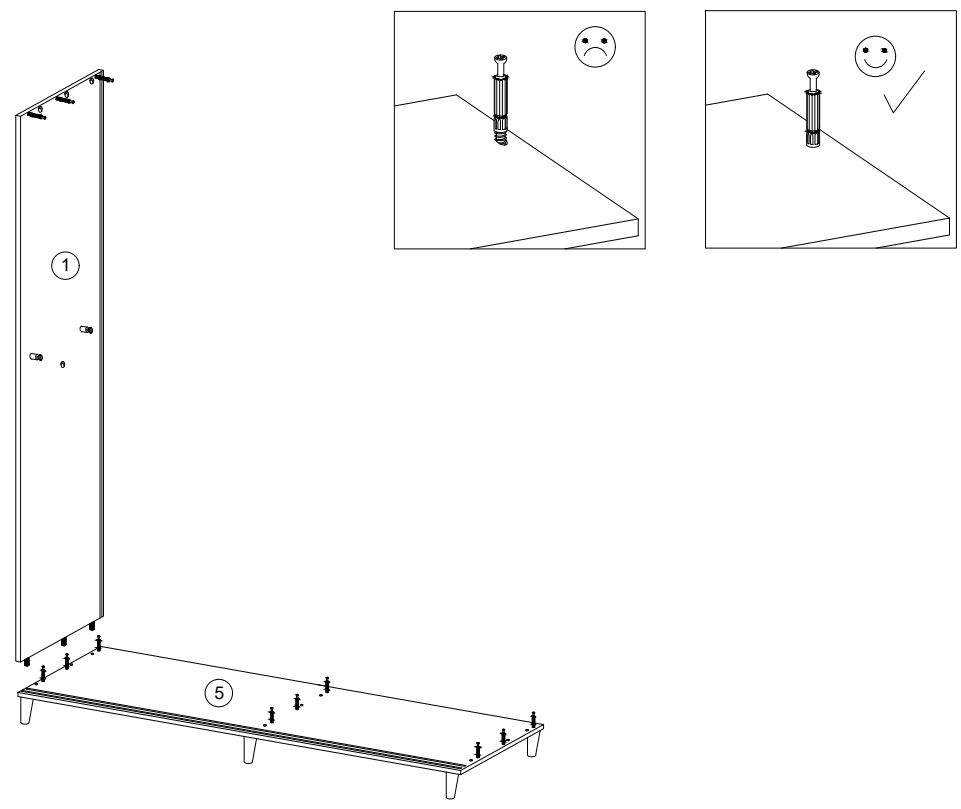
6



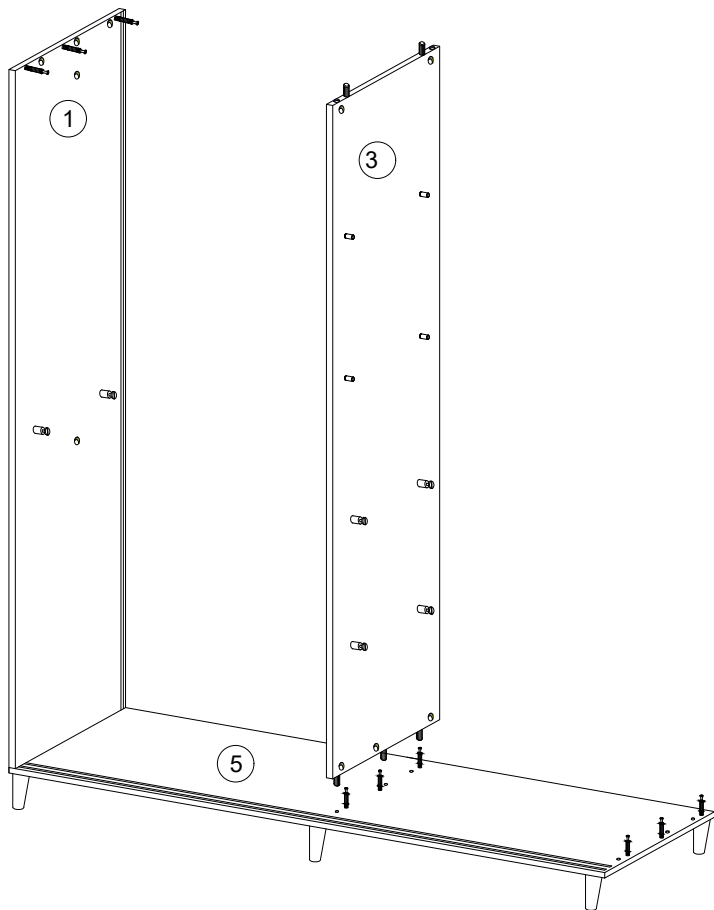
7



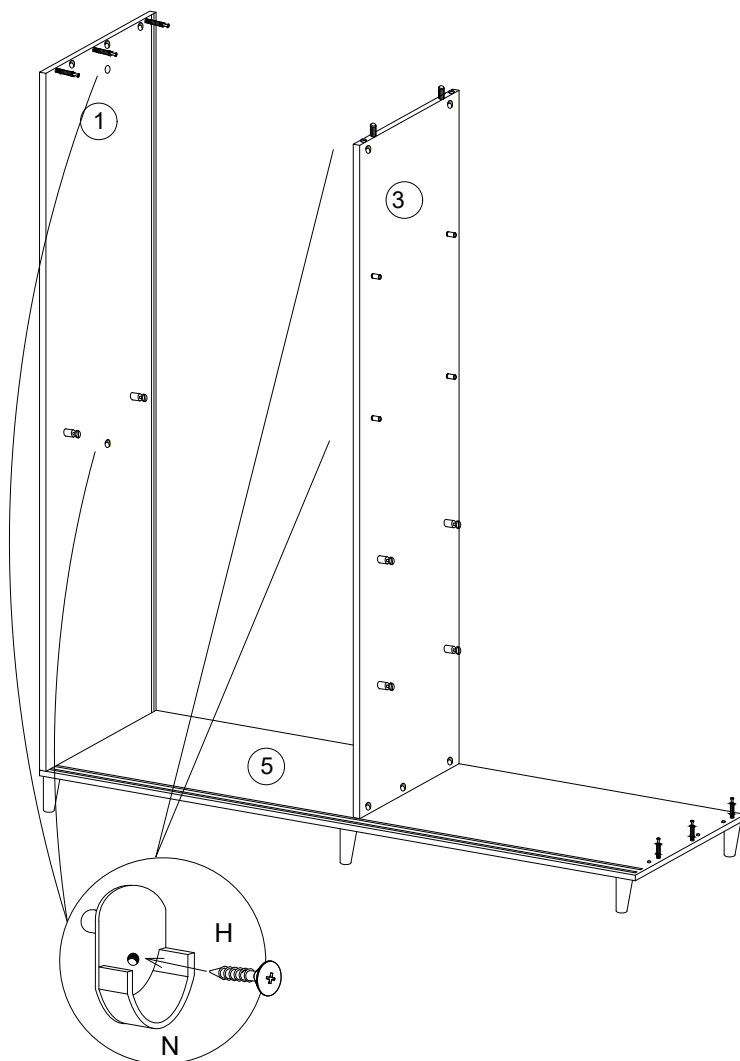
8



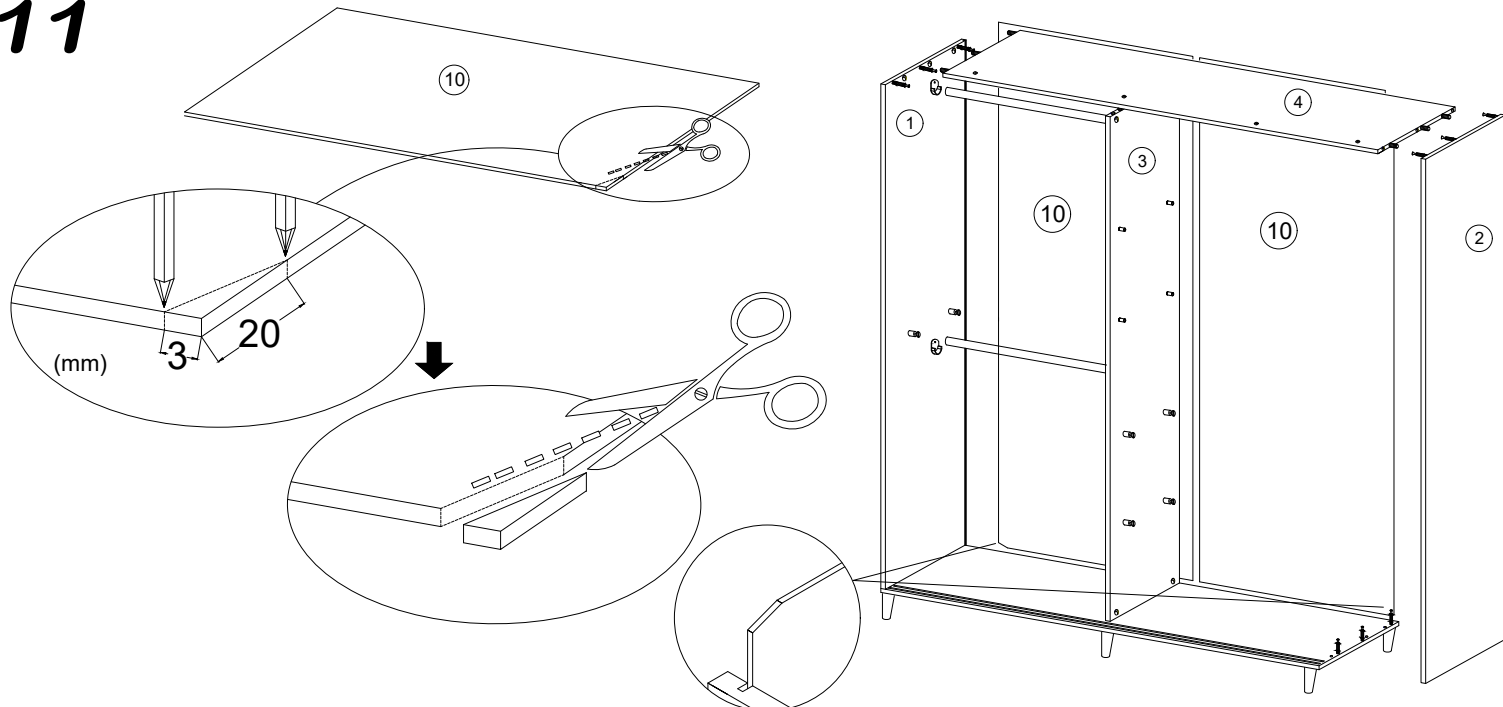
9



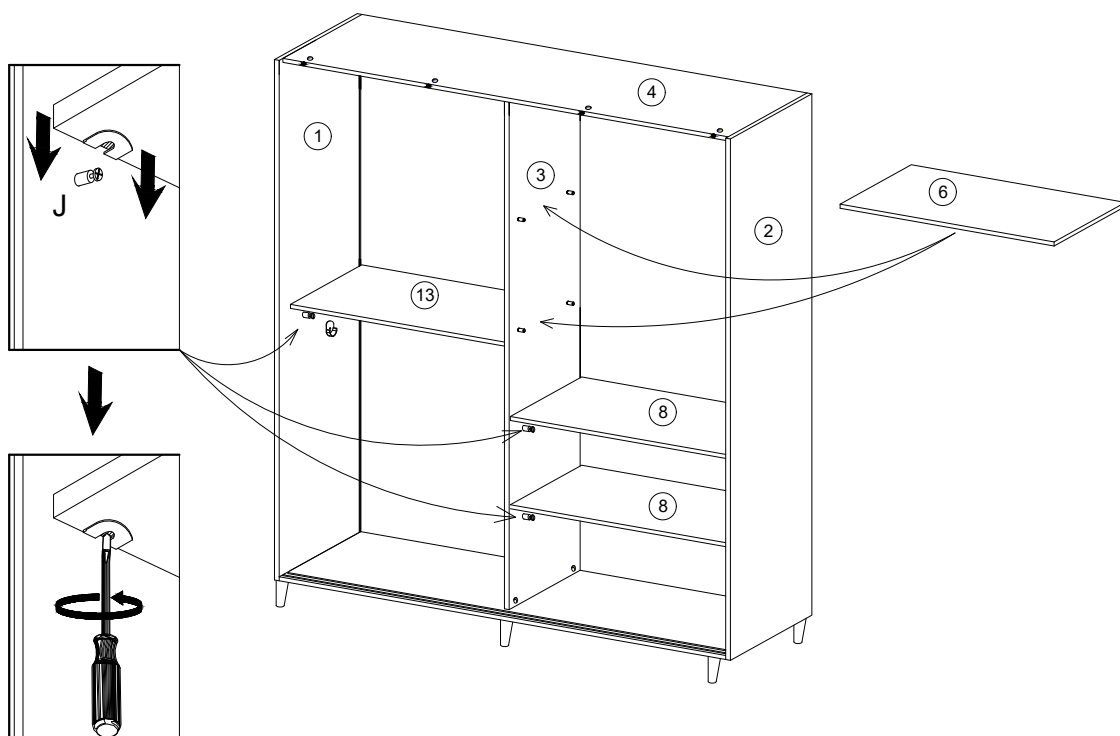
10



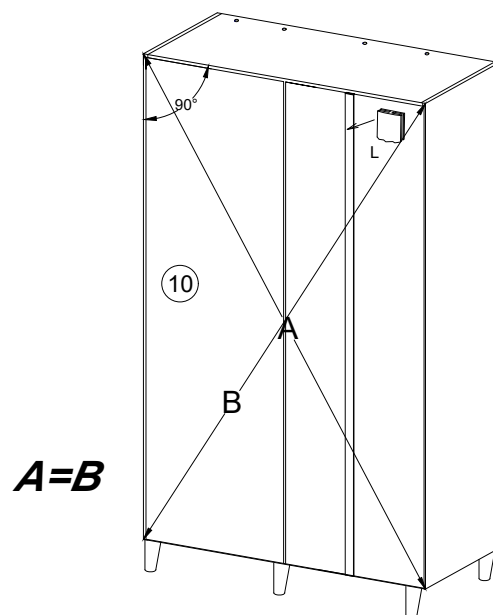
# 11



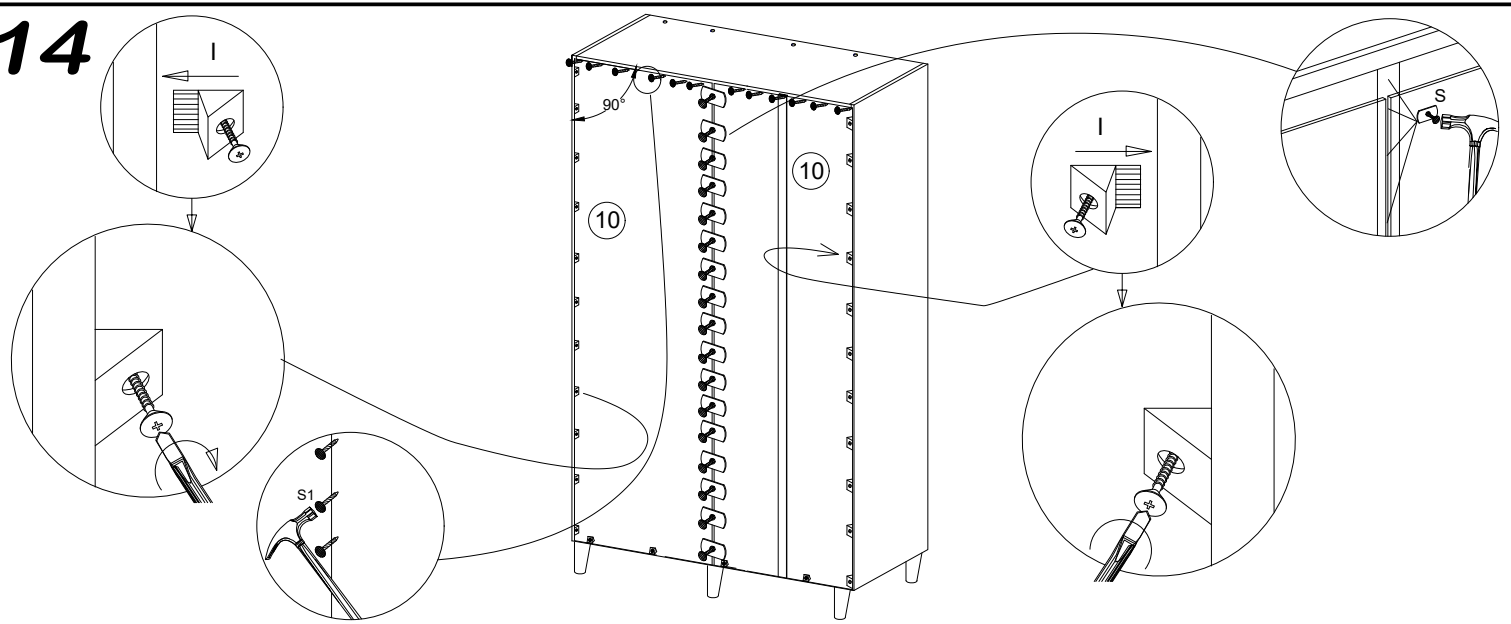
# 12



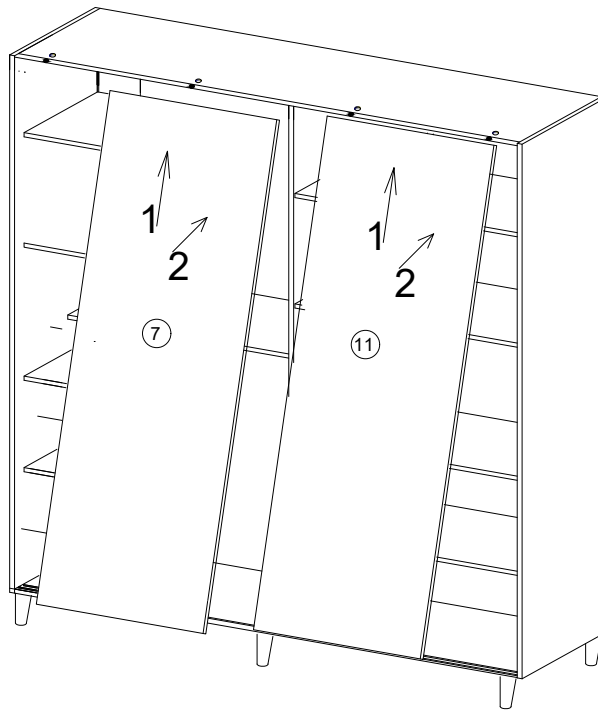
# 13



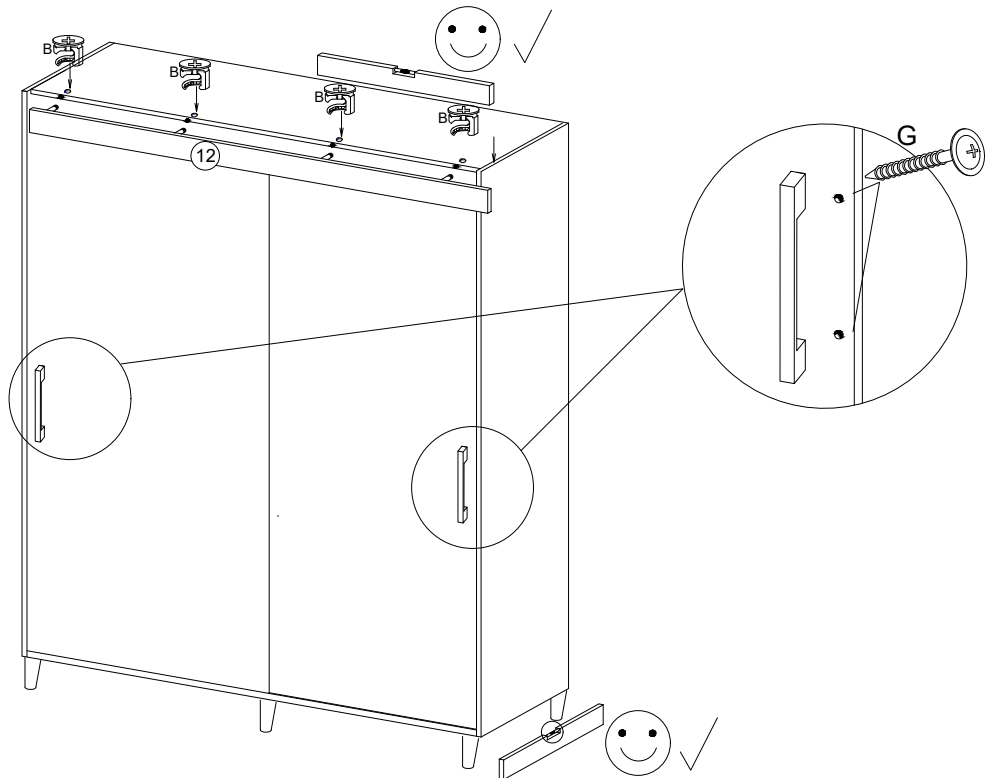
14



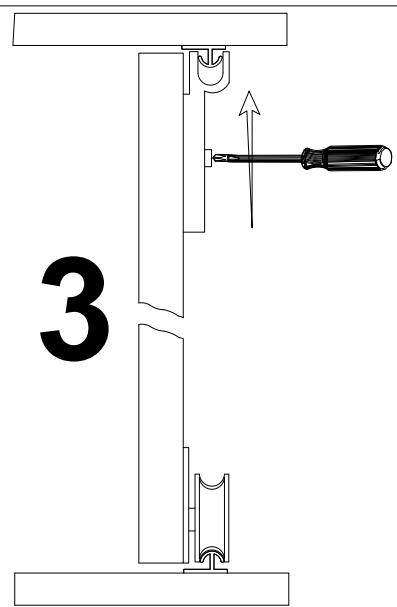
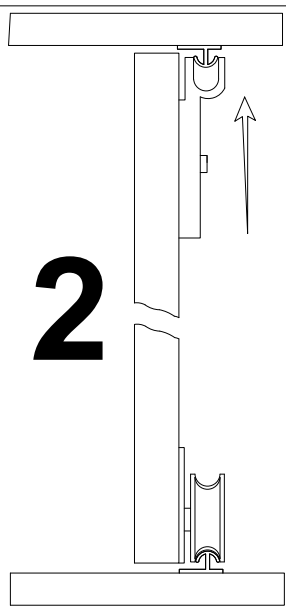
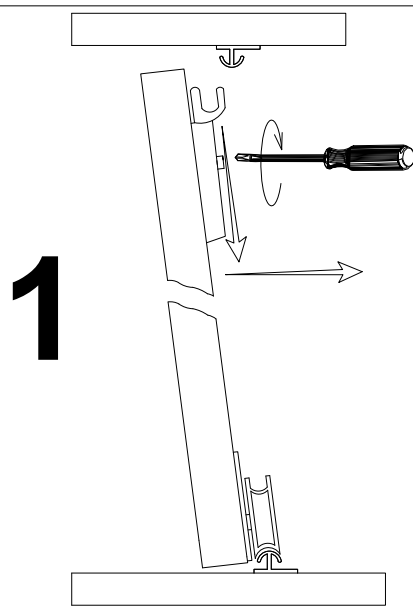
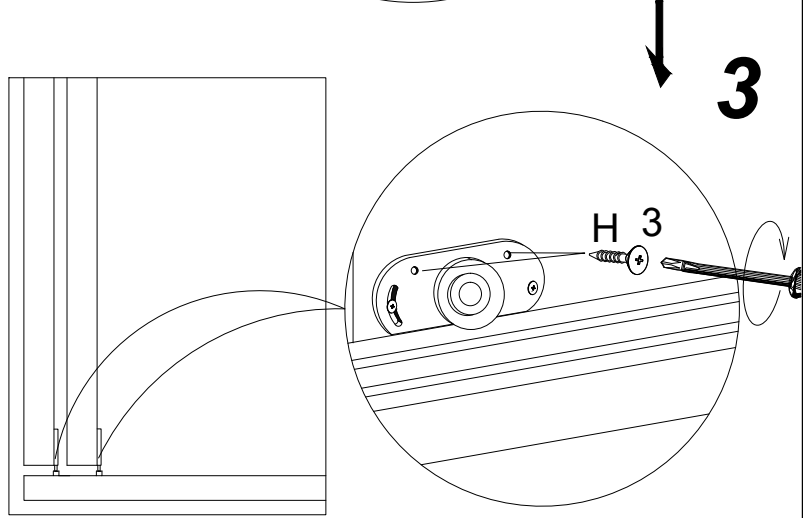
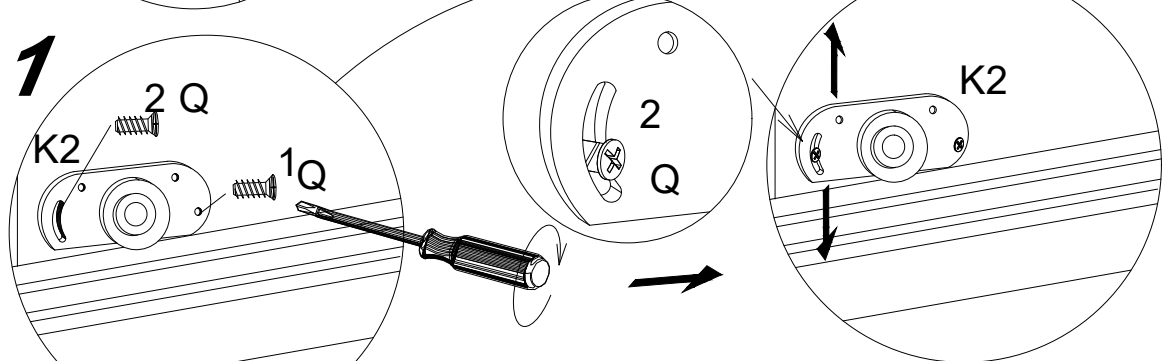
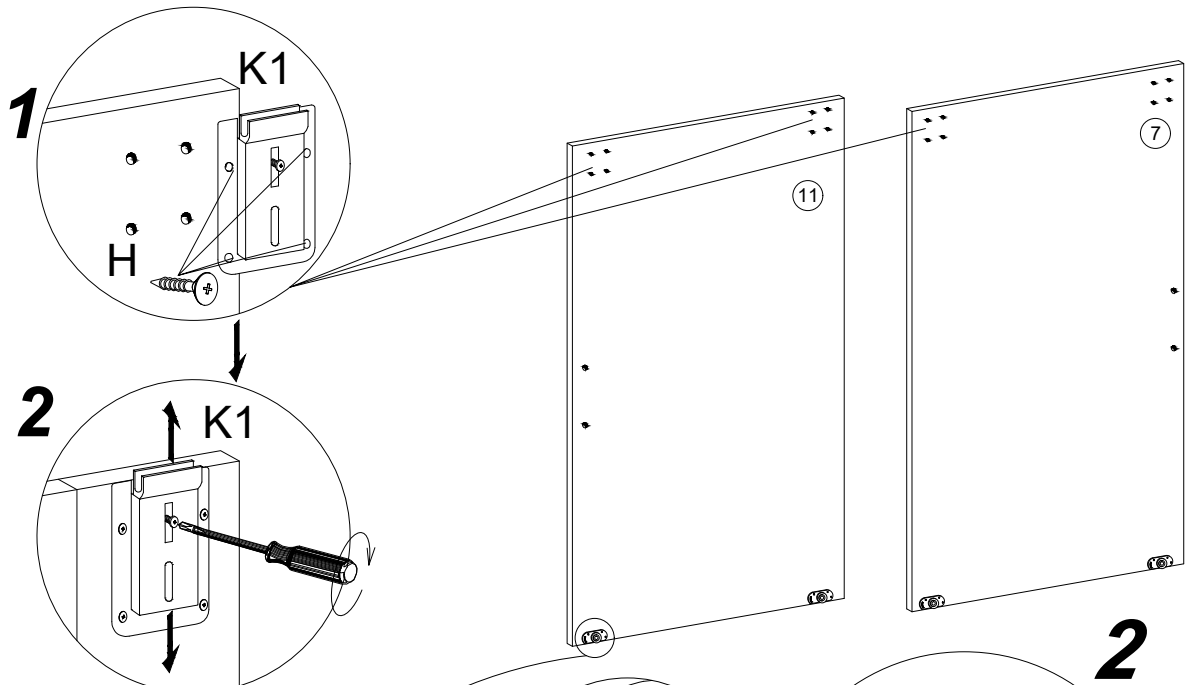
15



16

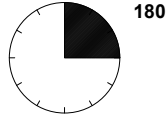
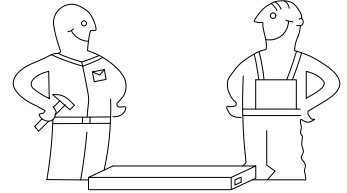


# 16

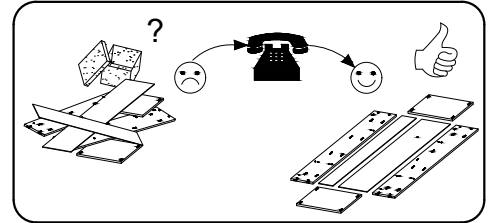
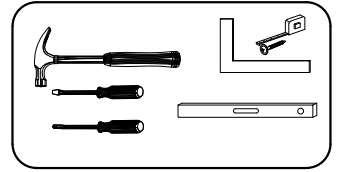
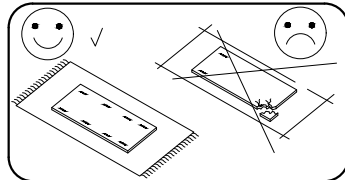
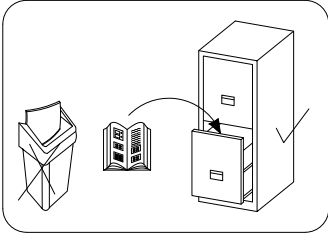




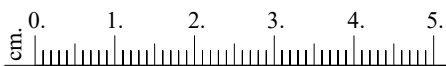
E



180

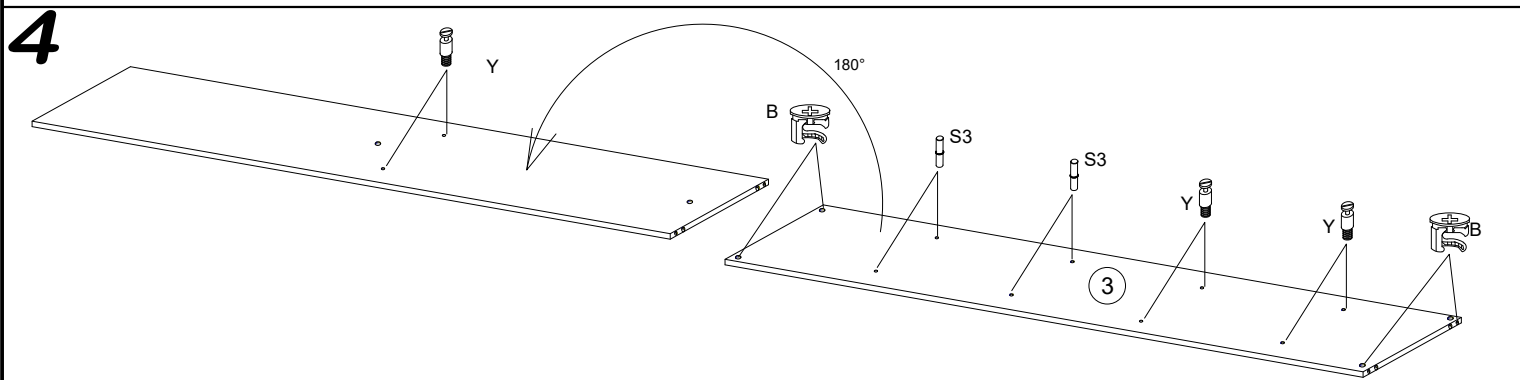
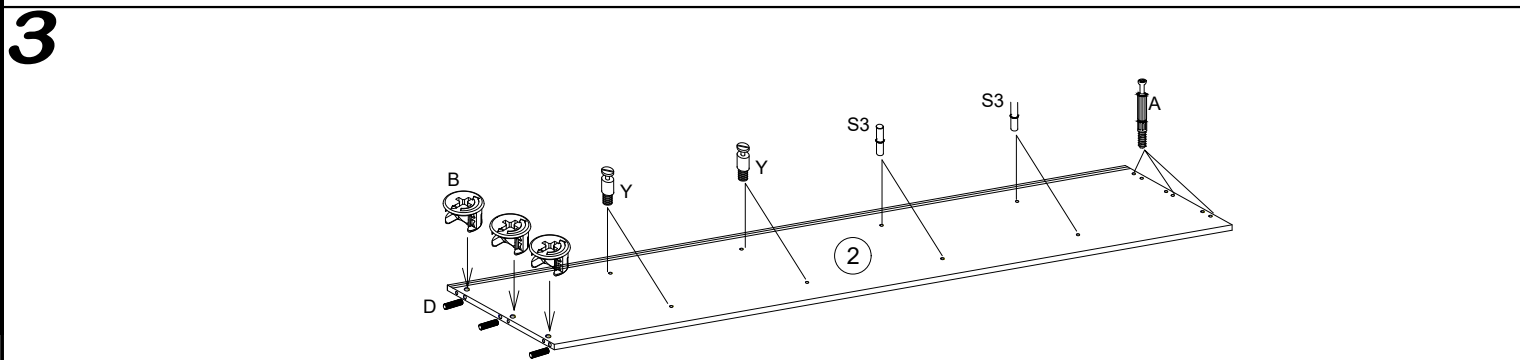
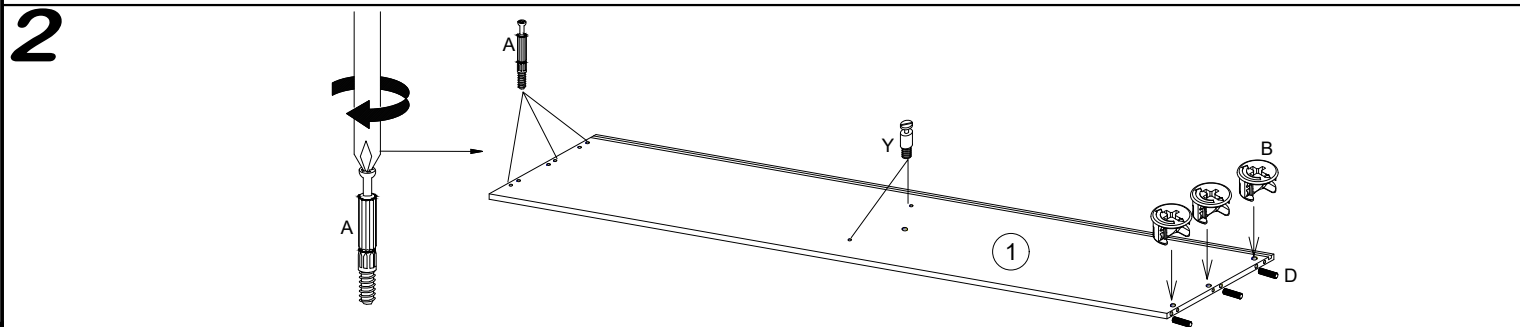
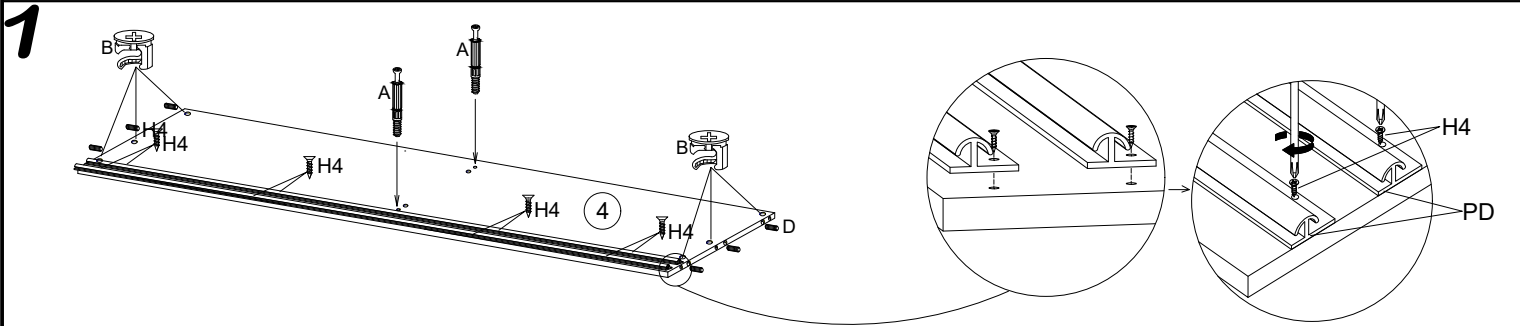
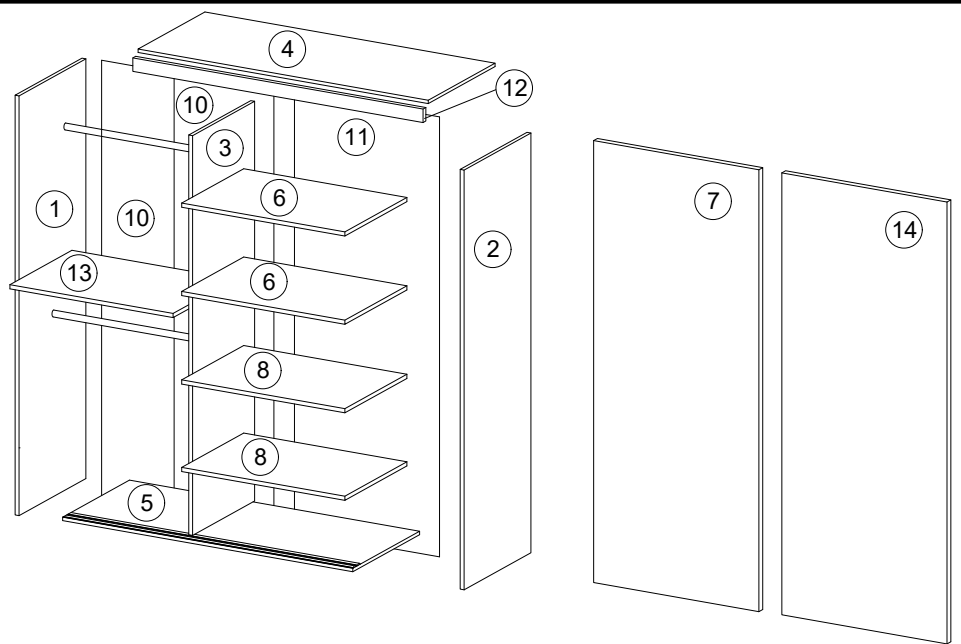


|                 |                 |                |                  |       |                 |                 |                 |        |                  |        |
|-----------------|-----------------|----------------|------------------|-------|-----------------|-----------------|-----------------|--------|------------------|--------|
| 8.0x35<br><br>D | 4.0x25<br><br>G | <br>Y          | <br>A            | <br>B | 3.5x16<br><br>H | <br>V           | <br>N           | <br>K2 | <br>K1           | <br>S3 |
| 16              | 4               | 12             | 20               | 20    | 24              | 12              | 4               | 4      | 4                | 8      |
| <br>X           | <br>F           | Ø-2.0<br><br>S | 1.4x25<br><br>S1 | <br>I | L-465<br><br>V1 | L-1850<br><br>L | 6.3x13<br><br>Q | <br>M  | <br>Q            | <br>O  |
| 20              | 2               | 19             | 40               | 30    | 2               | 1               | 8               | 6      | 1                | 6      |
|                 |                 |                |                  |       |                 |                 |                 | <br>PD | 3.0x13<br><br>H4 | <br>X1 |
|                 |                 |                |                  |       |                 |                 |                 | 4      | 16               | 6      |



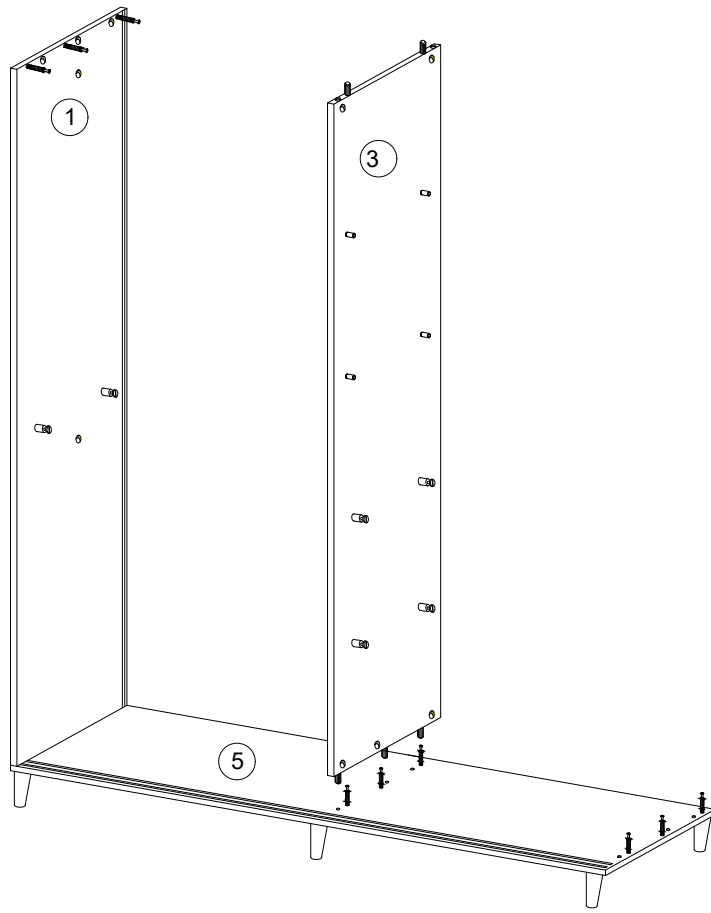


|     |   |      |     |    |
|-----|---|------|-----|----|
| 1.  | 1 | 1905 | 620 | 16 |
| 2.  | 1 | 1905 | 620 | 16 |
| 3.  | 1 | 1888 | 480 | 16 |
| 4.  | 1 | 1168 | 580 | 16 |
| 5.  | 1 | 1204 | 625 | 18 |
| 6.  | 2 | 475  | 480 | 16 |
| 7.  | 1 | 1873 | 600 | 16 |
| 8.  | 2 | 475  | 480 | 16 |
| 10. | 2 | 1912 | 346 | 3  |
| 11. | 1 | 1912 | 492 | 3  |
| 12. | 1 | 1168 | 70  | 18 |
| 13. | 1 | 676  | 480 | 16 |
| 14. | 1 | 1873 | 600 | 16 |

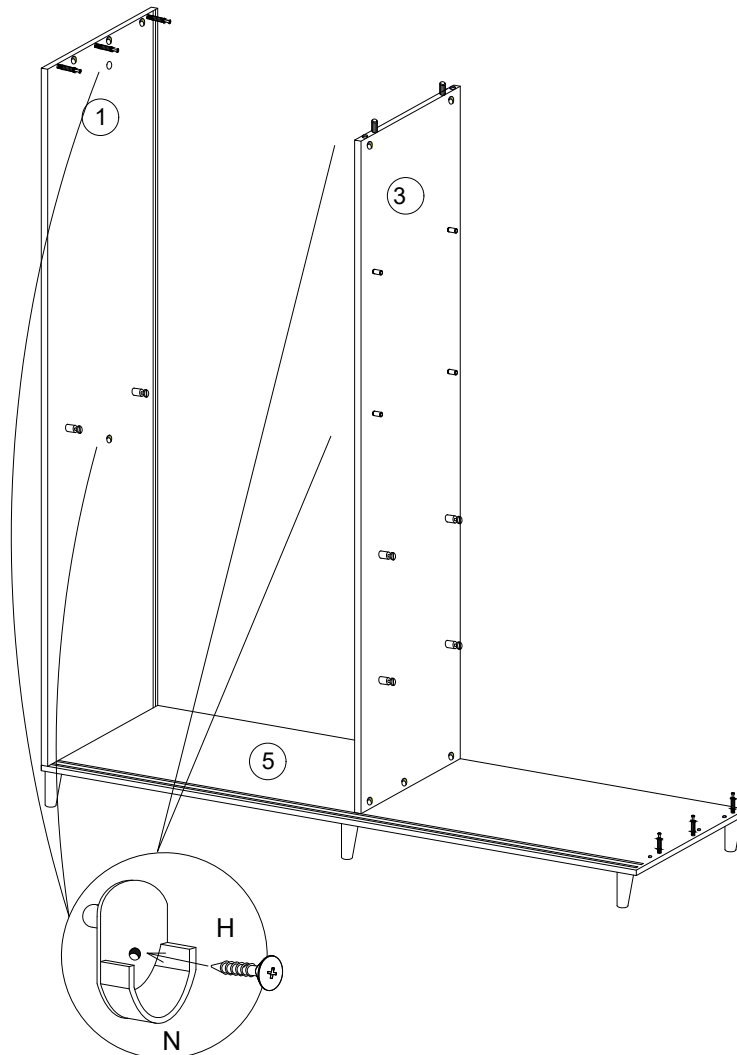




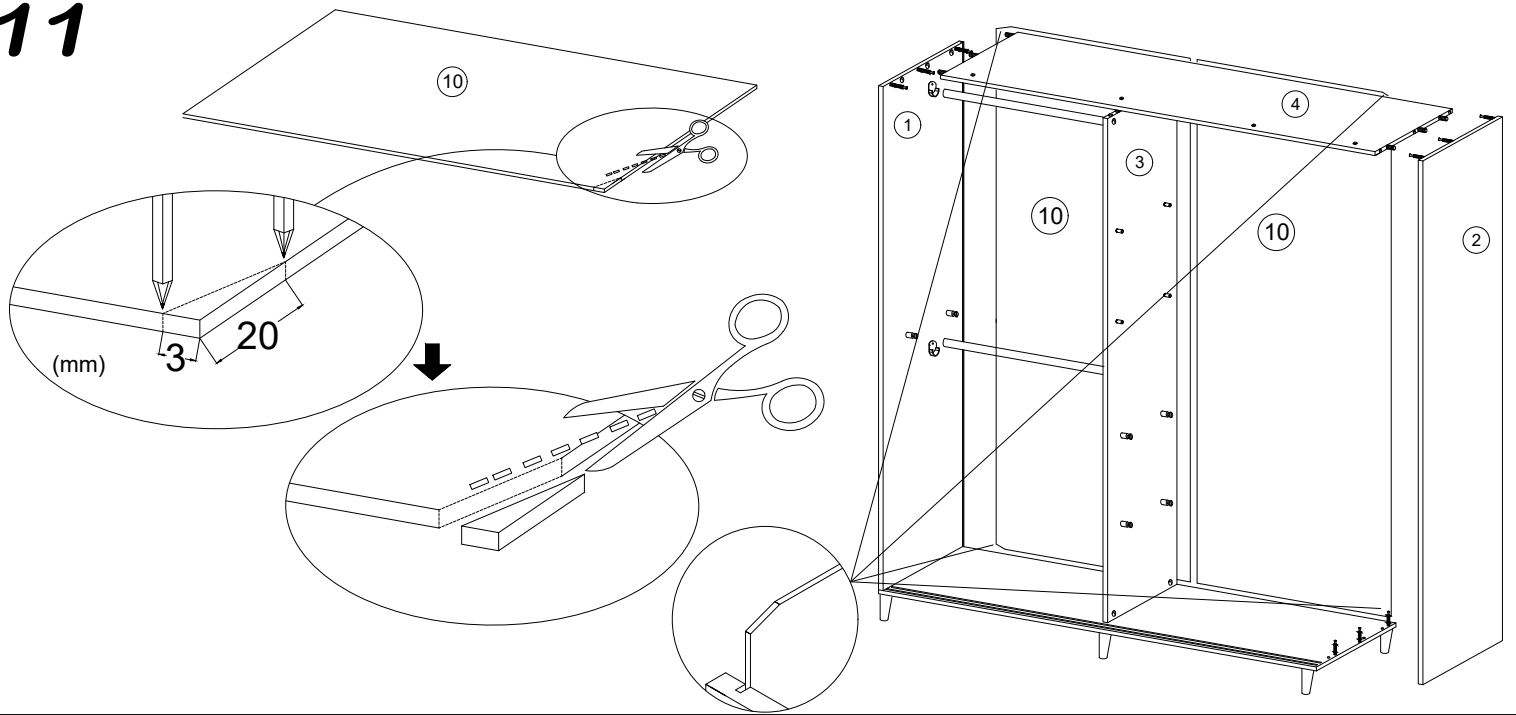
9



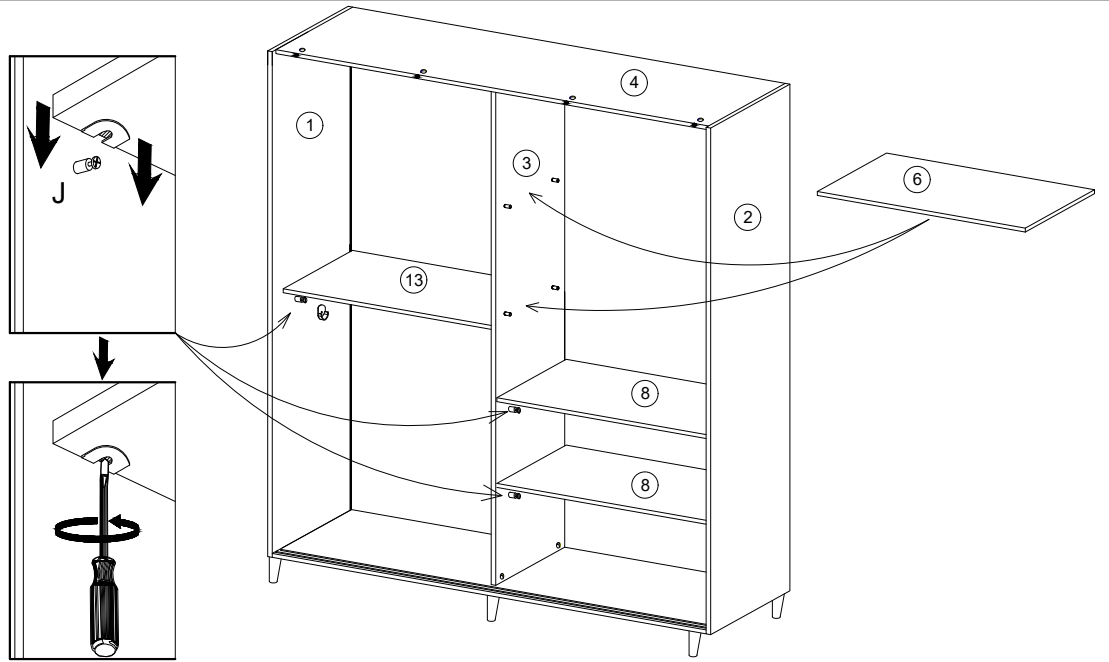
10



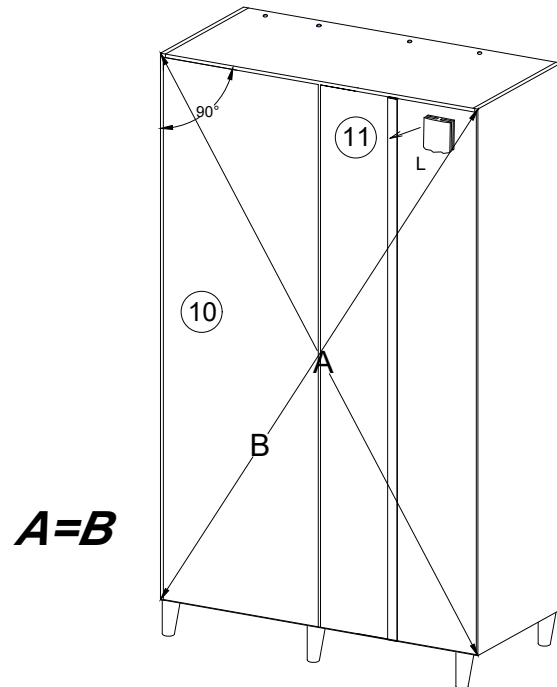
# 11



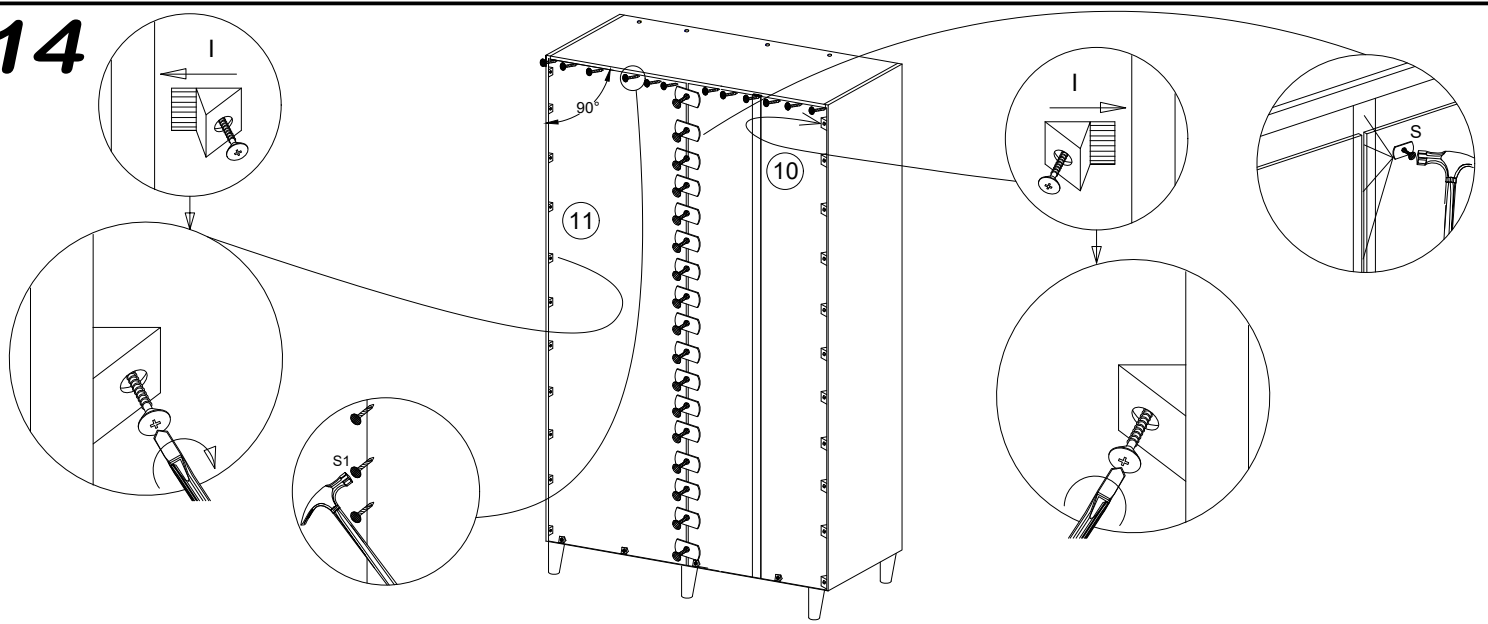
# 12



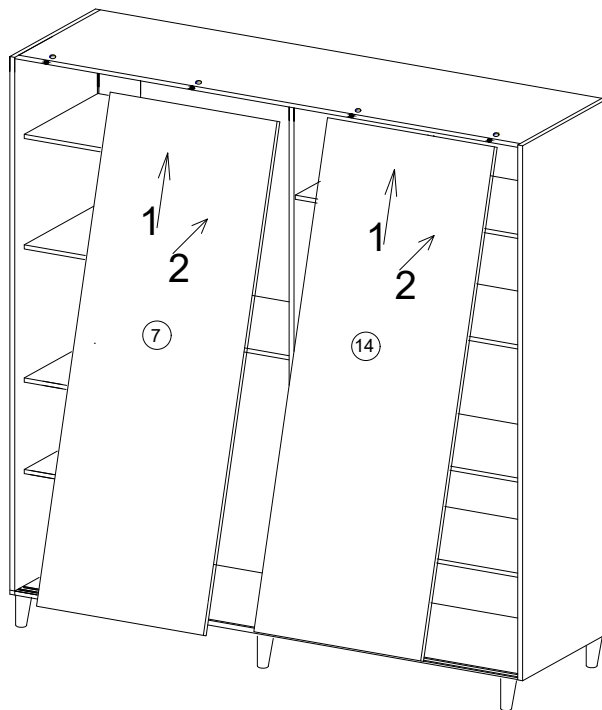
# 13



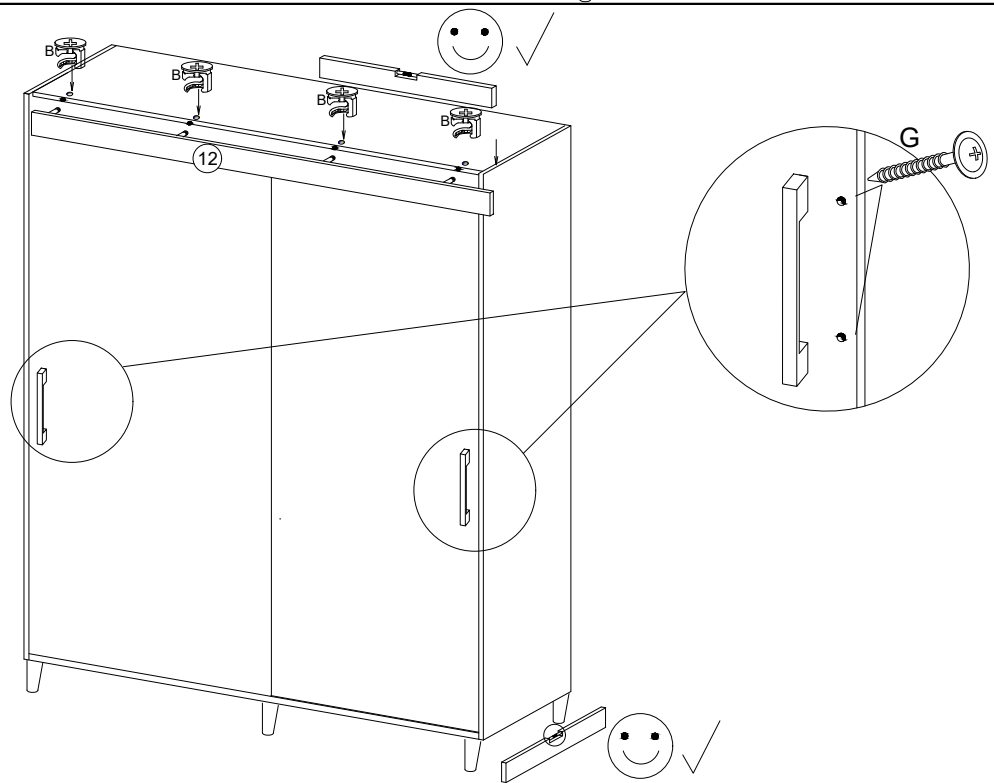
14



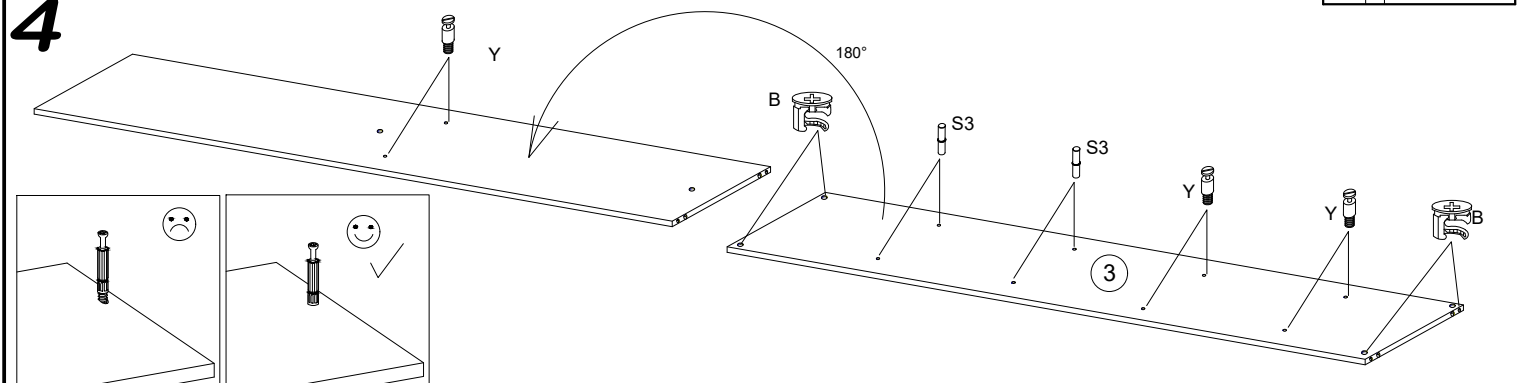
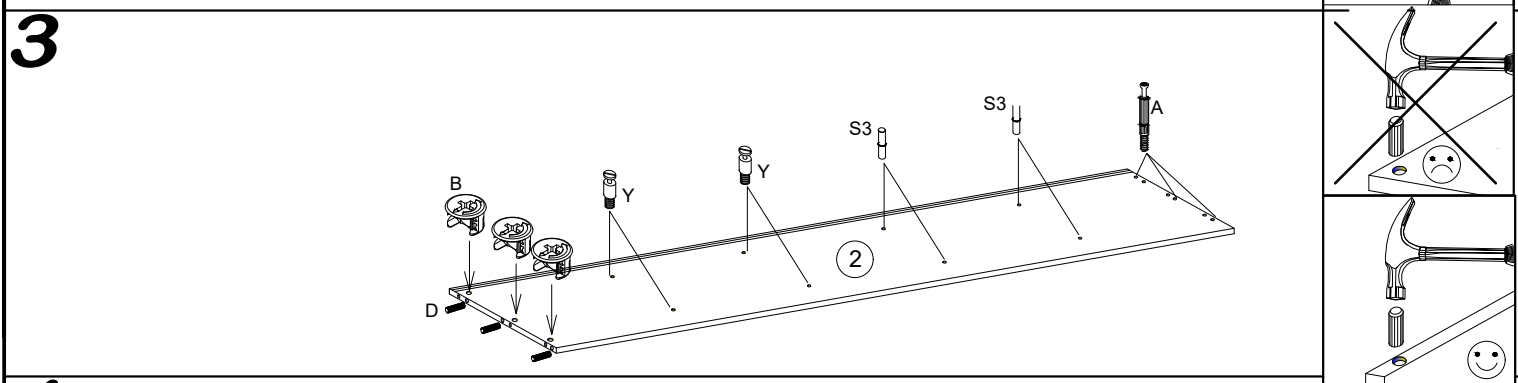
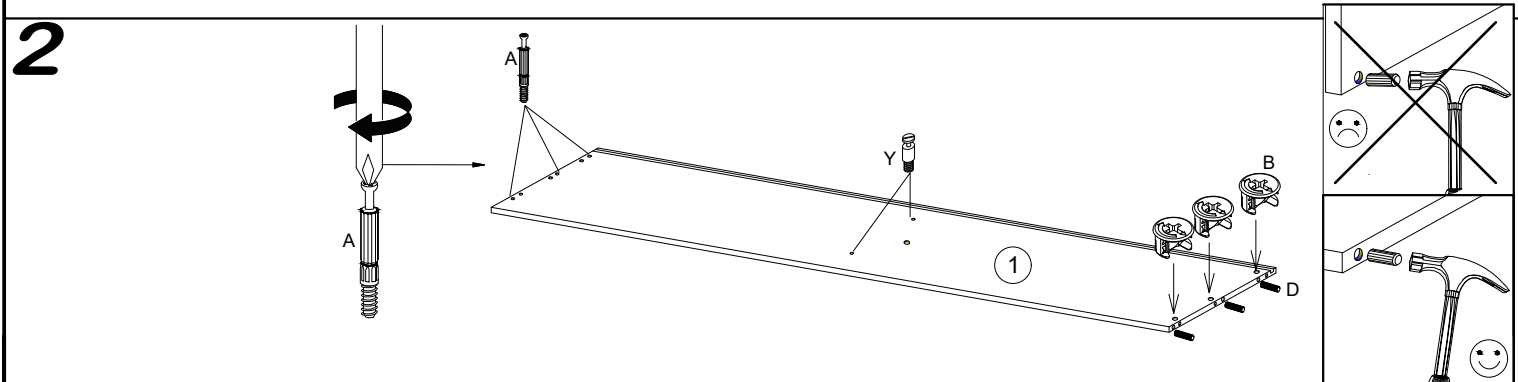
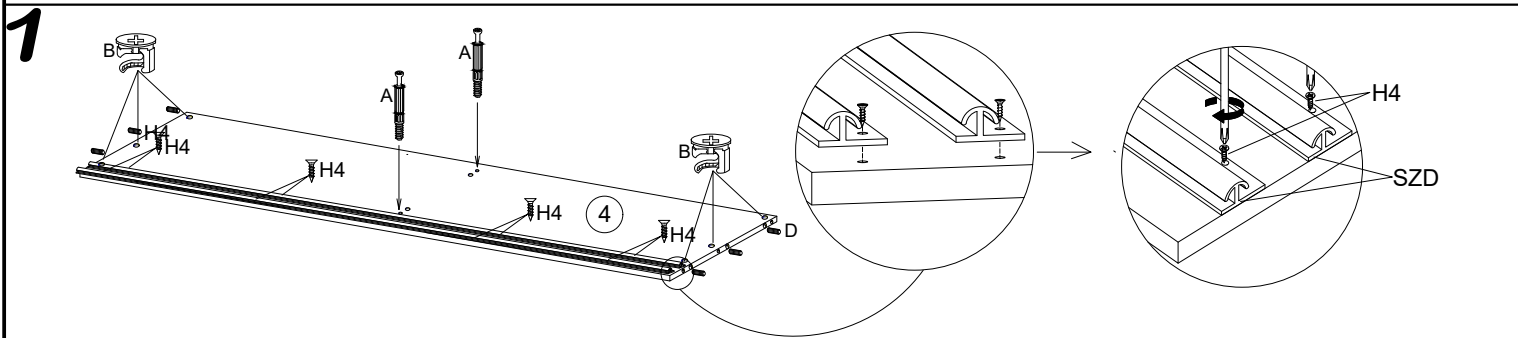
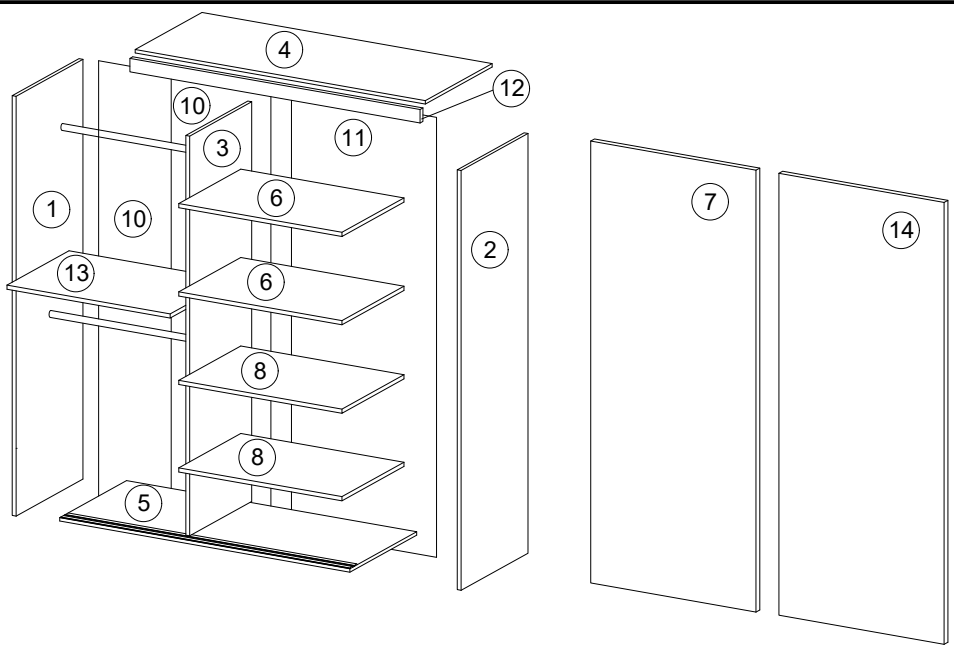
15



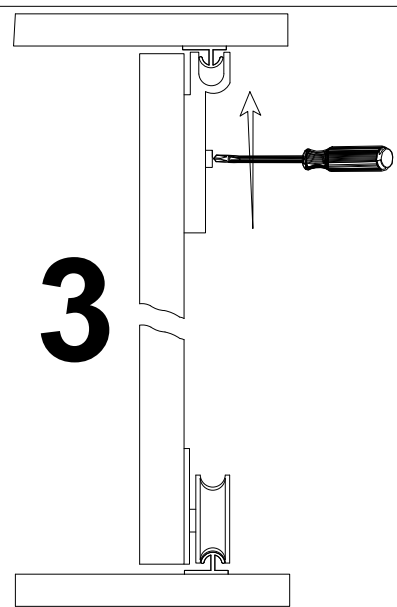
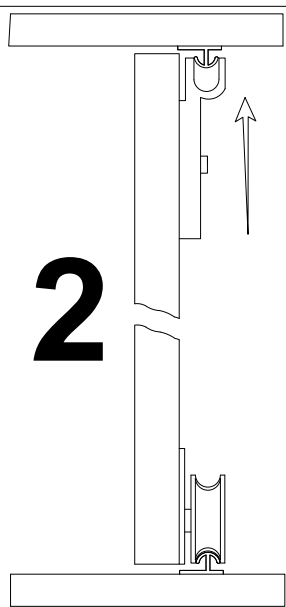
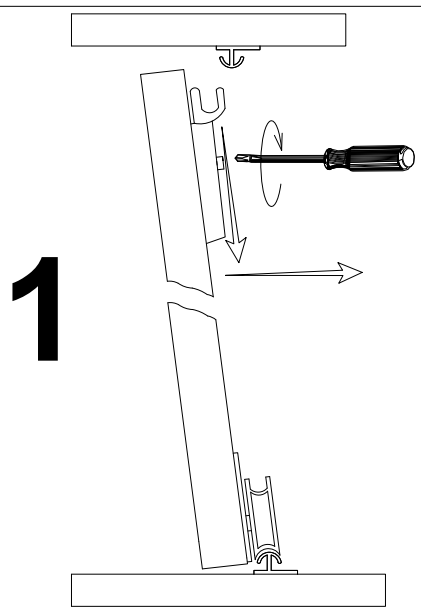
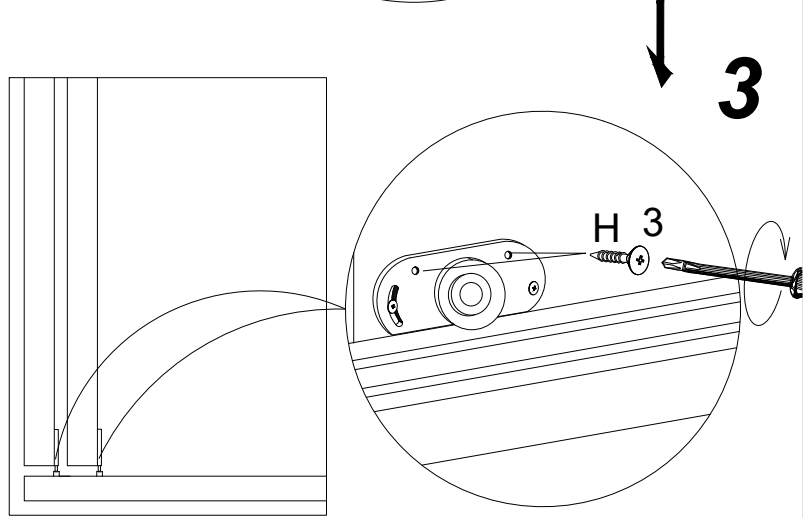
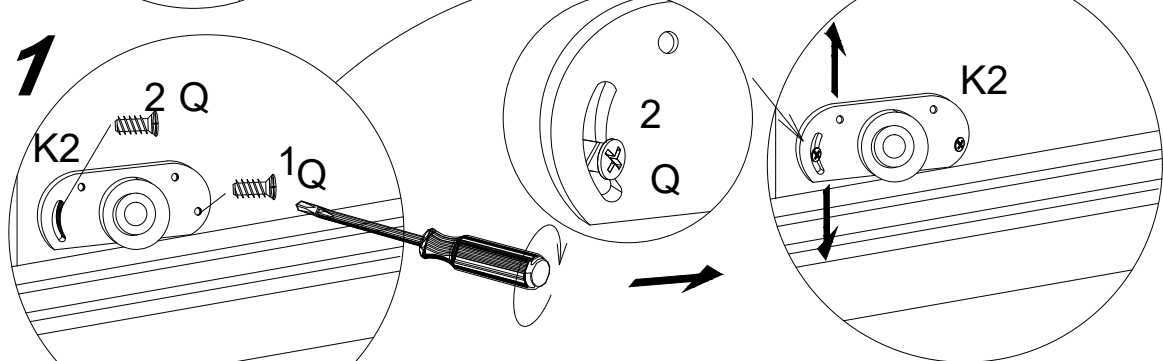
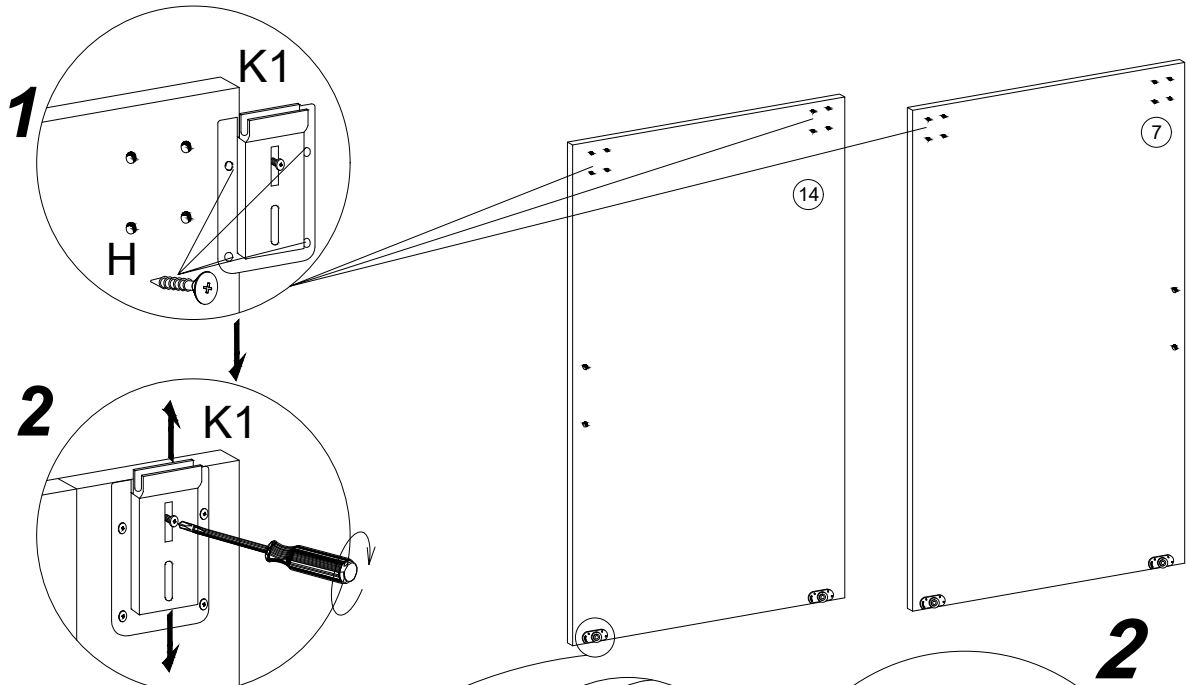
16

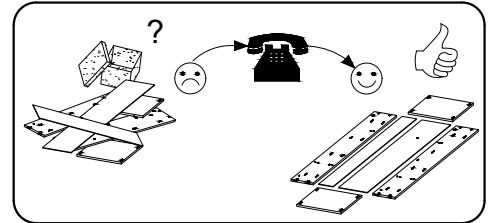
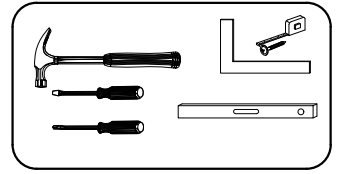
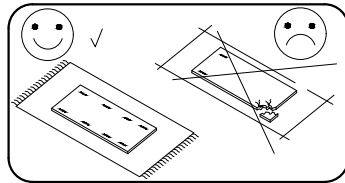
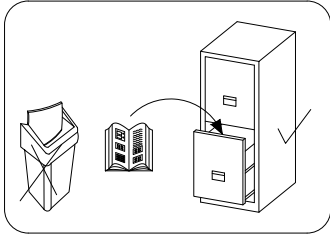
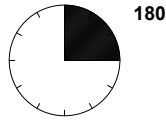
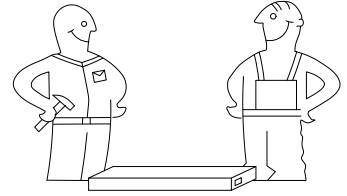


|     |   |      |     |    |
|-----|---|------|-----|----|
| 1.  | 1 | 1905 | 620 | 16 |
| 2.  | 1 | 1905 | 620 | 16 |
| 3.  | 1 | 1888 | 480 | 16 |
| 4.  | 1 | 1168 | 580 | 16 |
| 5.  | 1 | 1204 | 625 | 18 |
| 6.  | 2 | 475  | 480 | 16 |
| 7.  | 1 | 1873 | 600 | 16 |
| 8.  | 2 | 475  | 480 | 16 |
| 9.  |   |      |     |    |
| 10. | 2 | 1912 | 346 | 3  |
| 11. | 1 | 1912 | 492 | 3  |
| 12. | 1 | 1168 | 70  | 18 |
| 13. | 1 | 676  | 480 | 16 |
| 14. | 1 | 1873 | 600 | 16 |

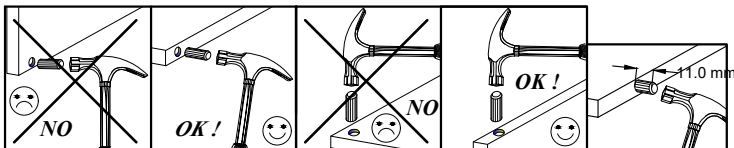


# 16



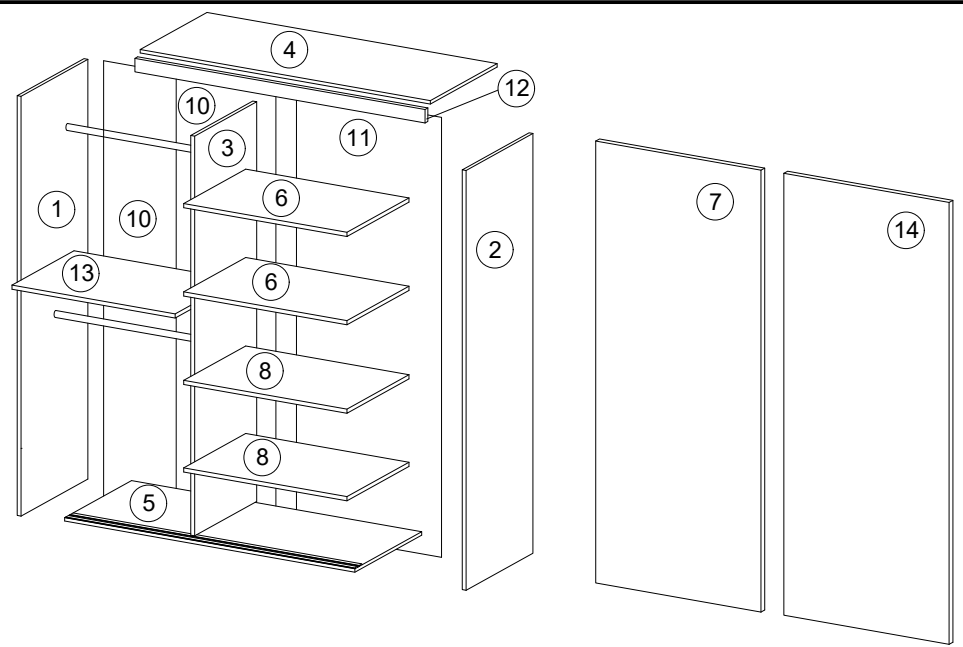


|                 |                 |                |                  |       |                 |                 |                 |        |        |        |                  |        |
|-----------------|-----------------|----------------|------------------|-------|-----------------|-----------------|-----------------|--------|--------|--------|------------------|--------|
| <br>8.0x35<br>D | <br>4.0x25<br>G | <br>Y          | <br>A            | <br>B | <br>3.5x16<br>H | <br>V           | <br>N           | <br>K2 | <br>K1 | <br>S3 | <br>3.0x13<br>H4 | <br>X1 |
| 16              | 4               | 12             | 20               | 20    | 24              | 12              | 4               | 4      | 4      | 8      | 16               | 6      |
| <br>X           | <br>F           | <br>Ø-2.0<br>S | <br>1.4x25<br>S1 | <br>I | <br>L-465<br>V1 | <br>L-1850<br>L | <br>6.3x13<br>Q | <br>M  | <br>Q  | <br>O  | <br>L-?<br>PD    |        |
| 20              | 2               | 19             | 30               | 30    | 2               | 1               | 8               | 6      | 1      | 6      | 4                |        |

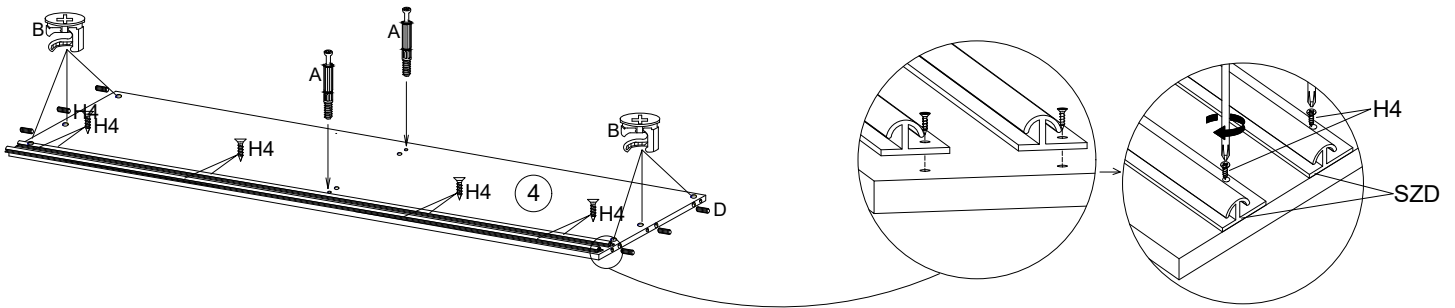




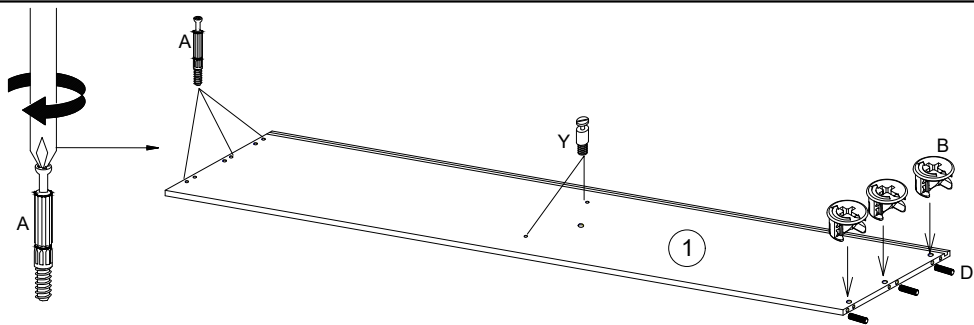
|     |   |      |     |    |
|-----|---|------|-----|----|
| 1.  | 1 | 1905 | 620 | 16 |
| 2.  | 1 | 1905 | 620 | 16 |
| 3.  | 1 | 1888 | 480 | 16 |
| 4.  | 1 | 1468 | 580 | 16 |
| 5.  | 1 | 1504 | 625 | 18 |
| 6.  | 2 | 475  | 480 | 16 |
| 7.  | 1 | 1873 | 750 | 16 |
| 8.  | 2 | 475  | 480 | 16 |
| 10. | 2 | 1912 | 496 | 3  |
| 11. | 1 | 1912 | 492 | 3  |
| 12. | 1 | 1468 | 70  | 18 |
| 13. | 1 | 976  | 480 | 16 |
| 14. | 1 | 1873 | 750 | 16 |



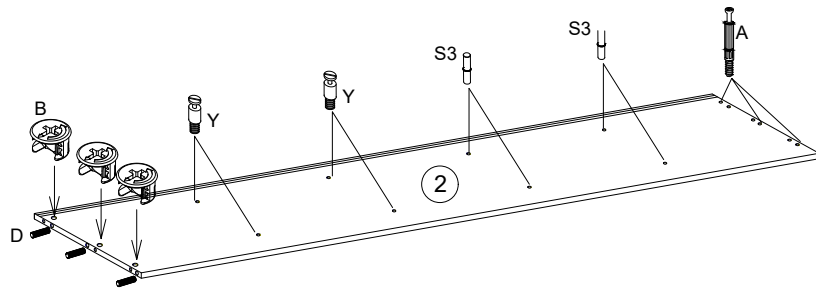
**1**



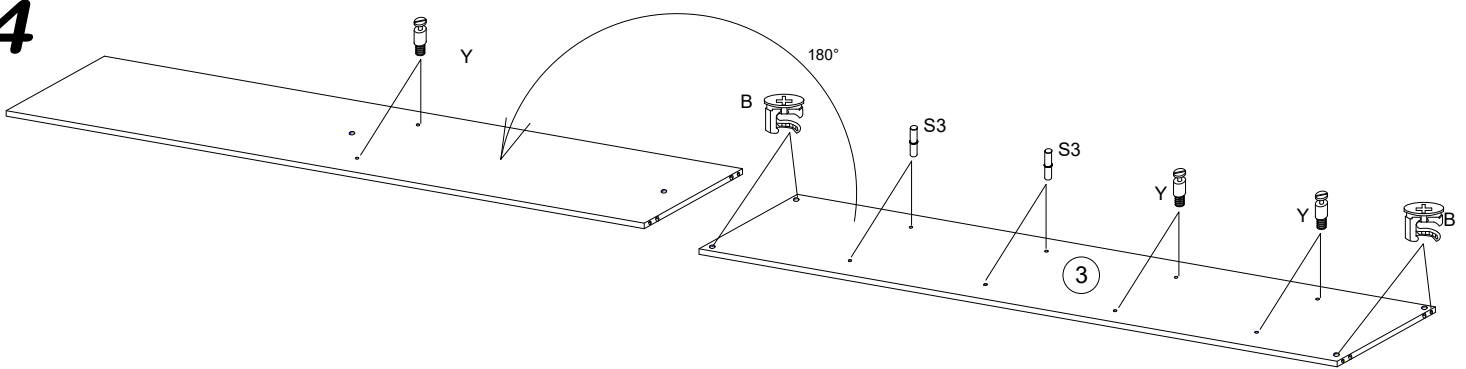
**2**



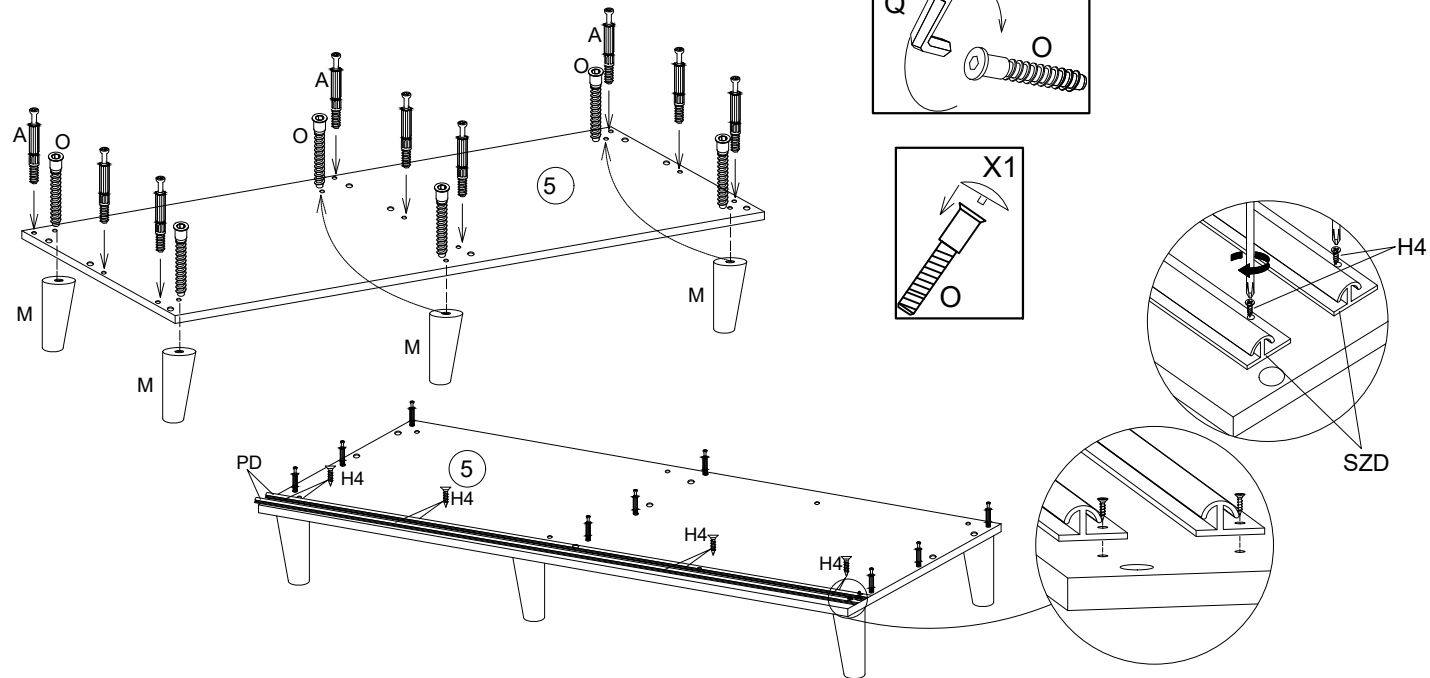
**3**



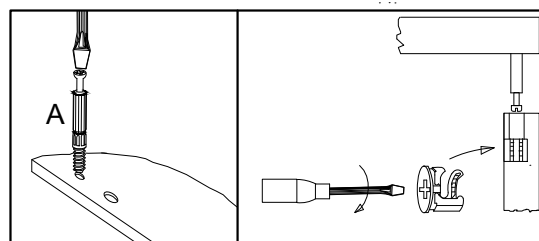
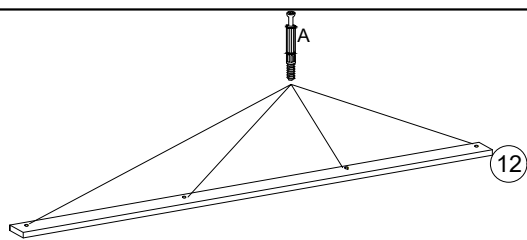
**4**



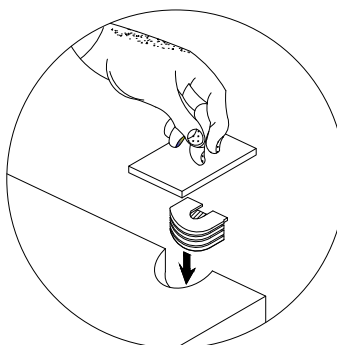
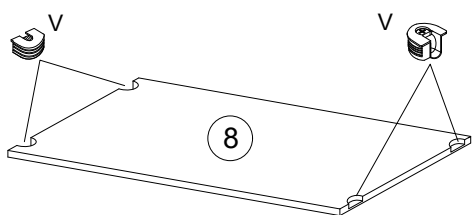
5



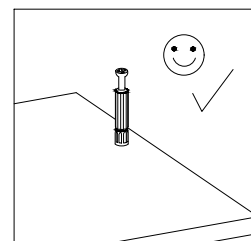
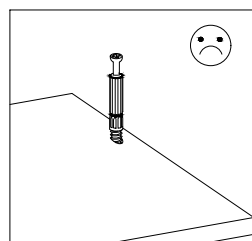
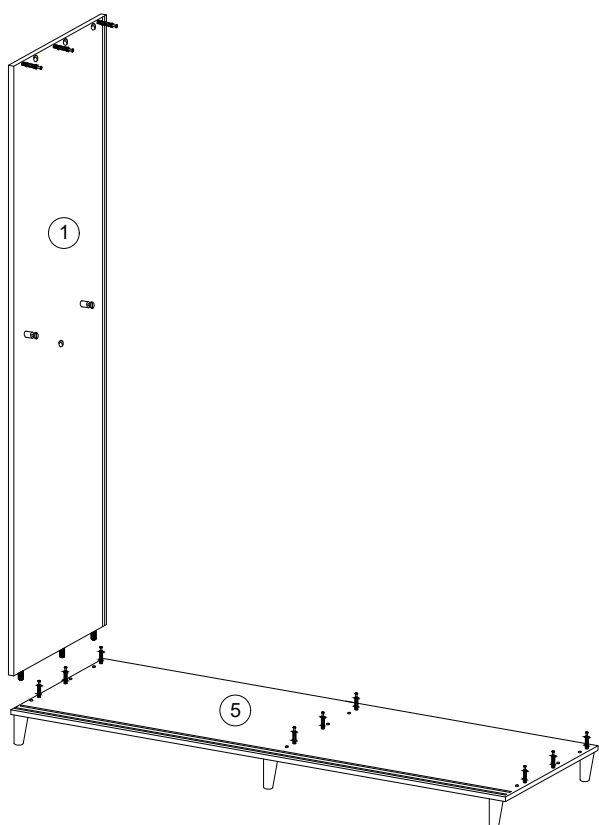
6



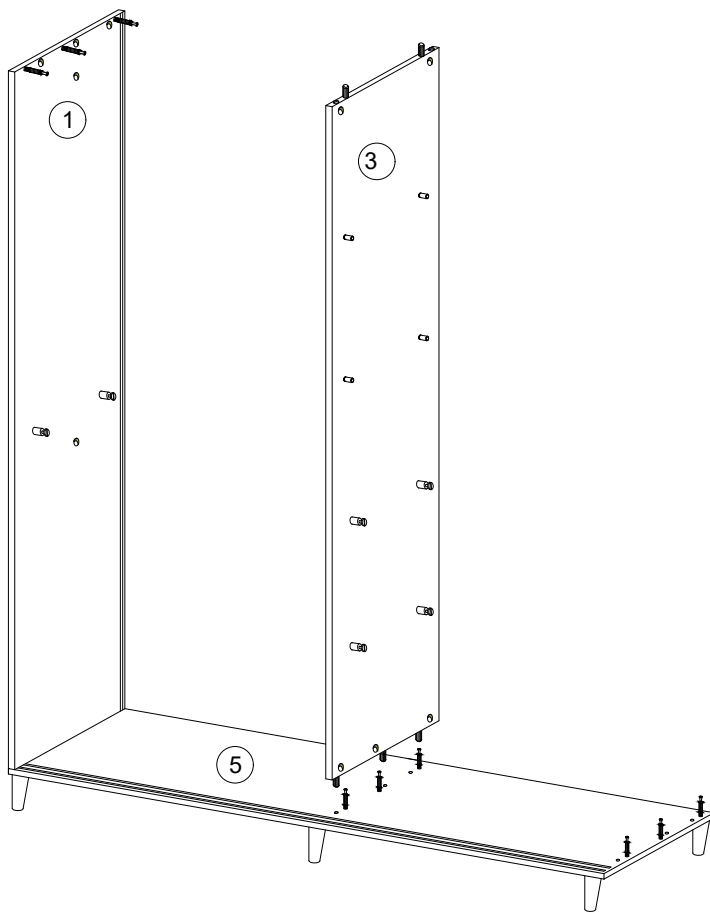
7



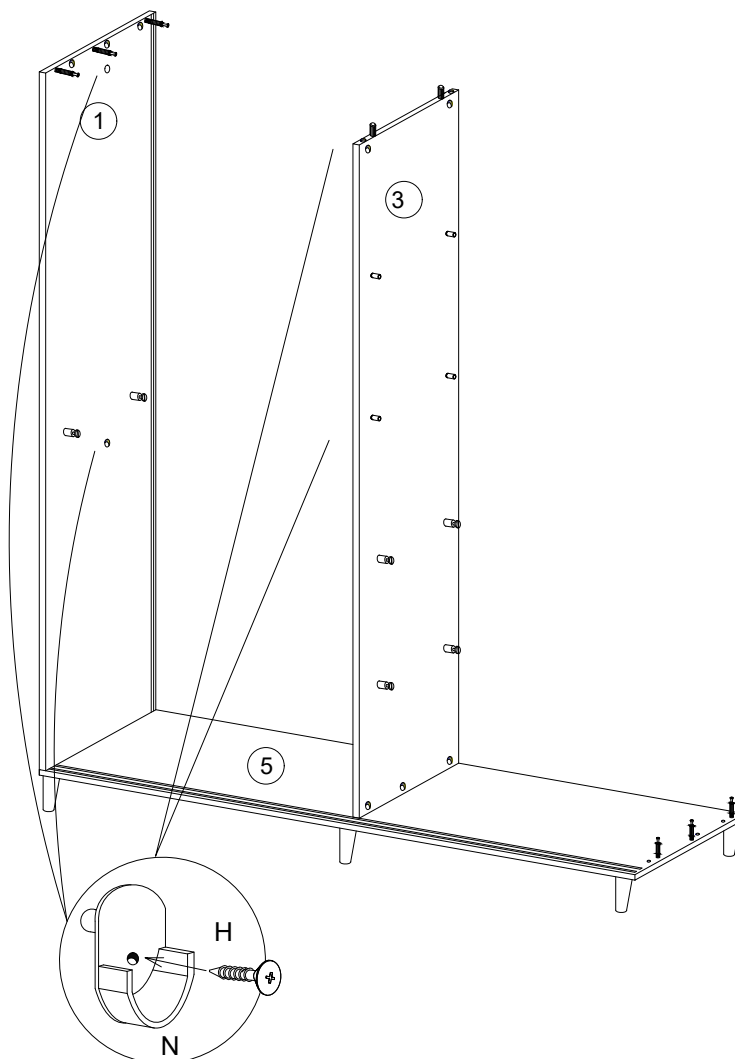
8



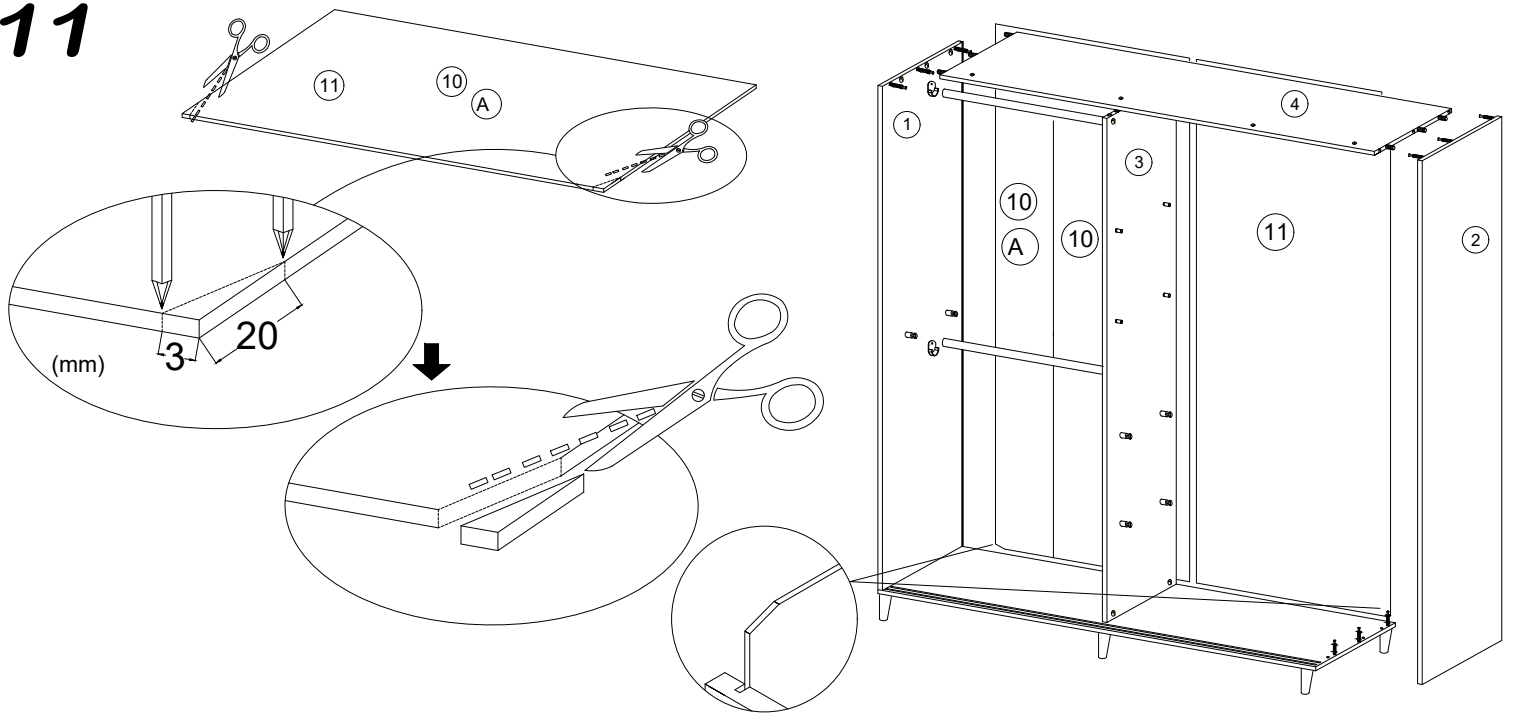
9



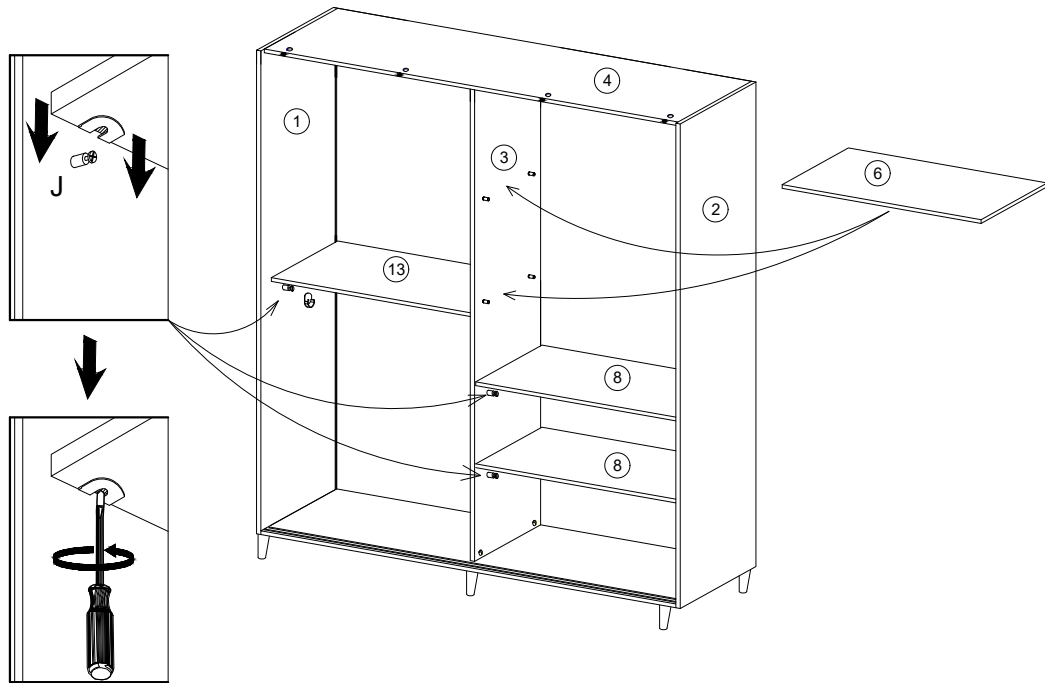
10



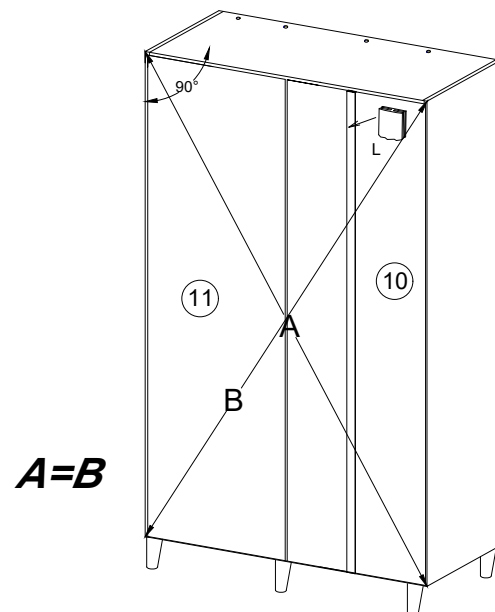
# 11

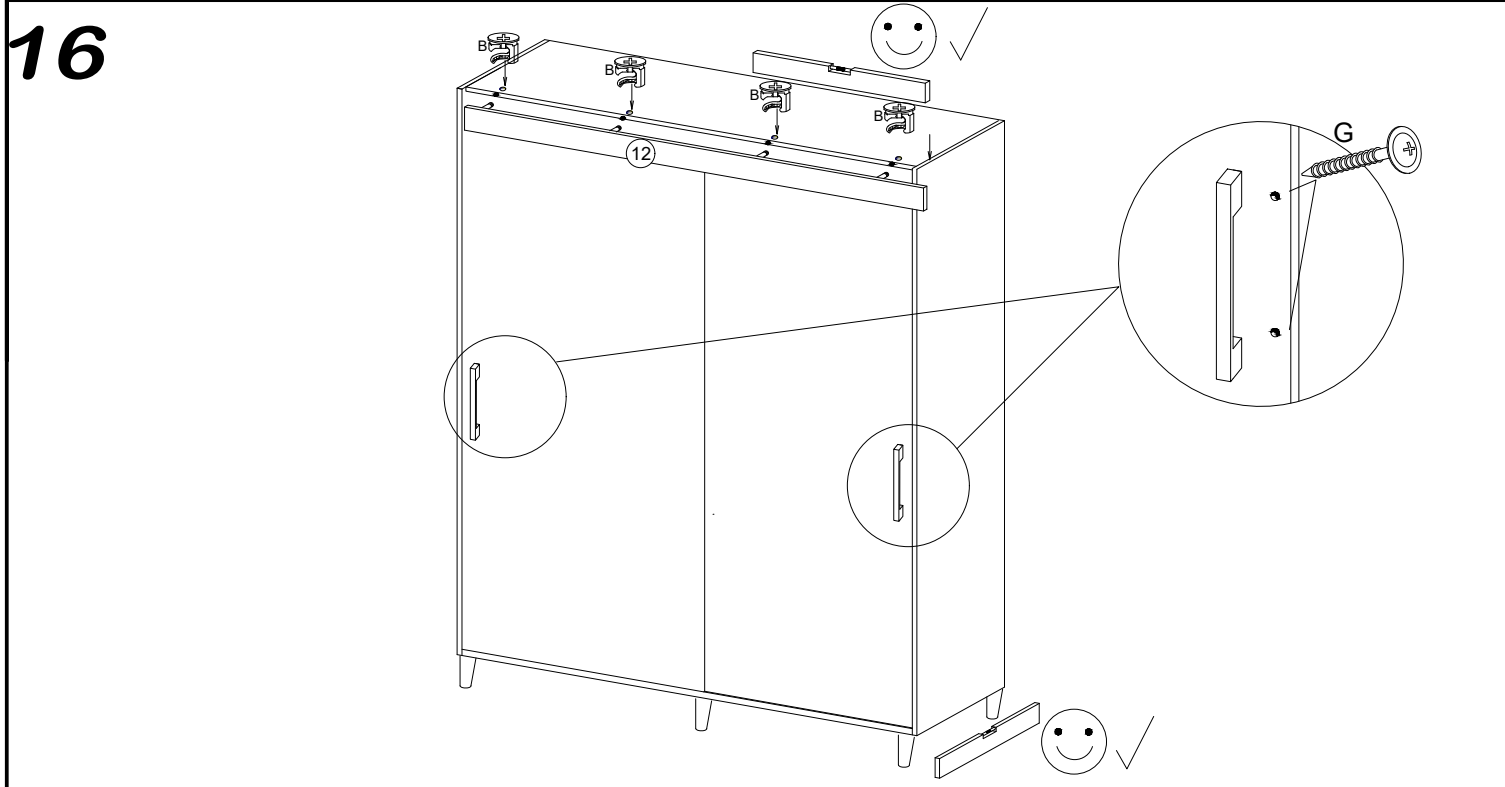
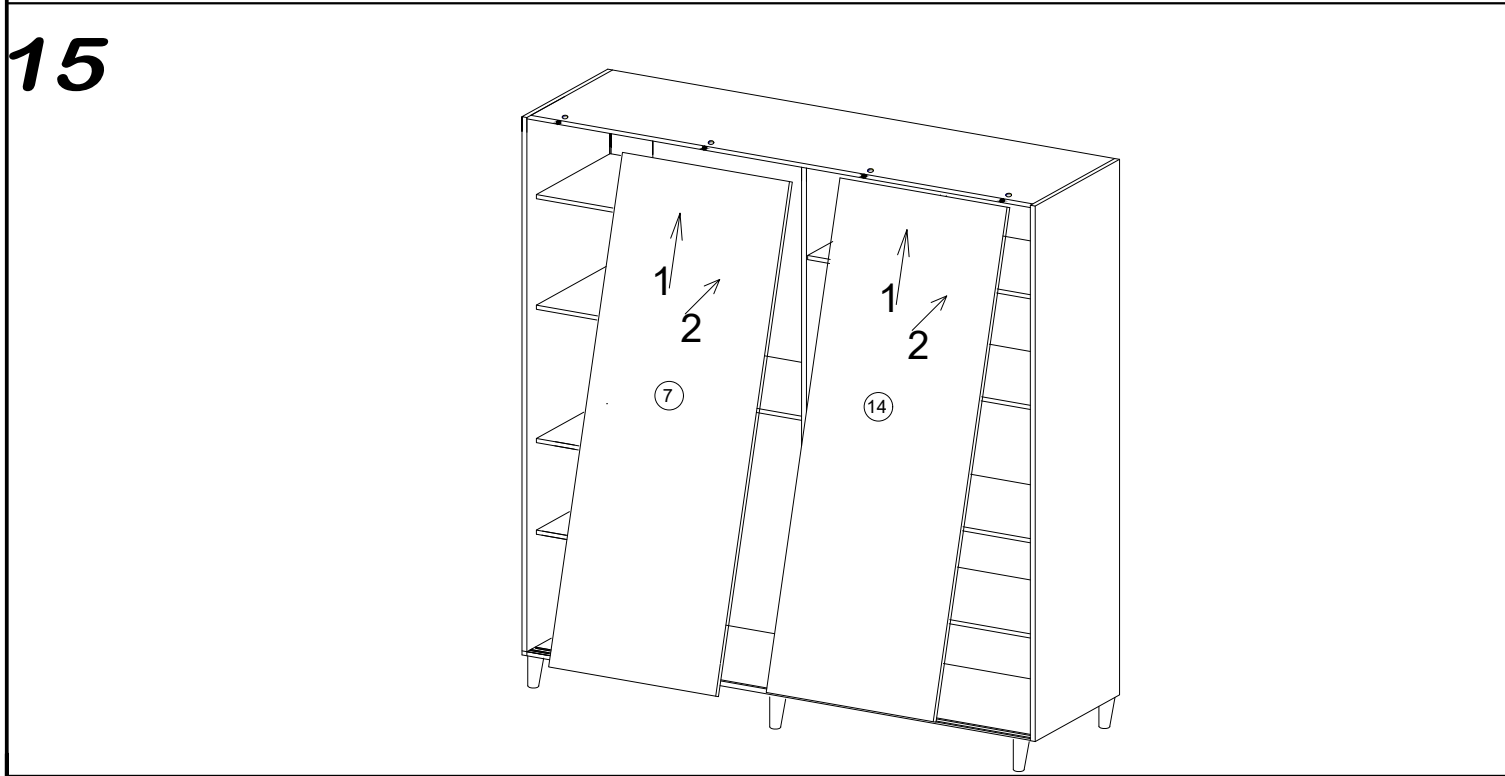
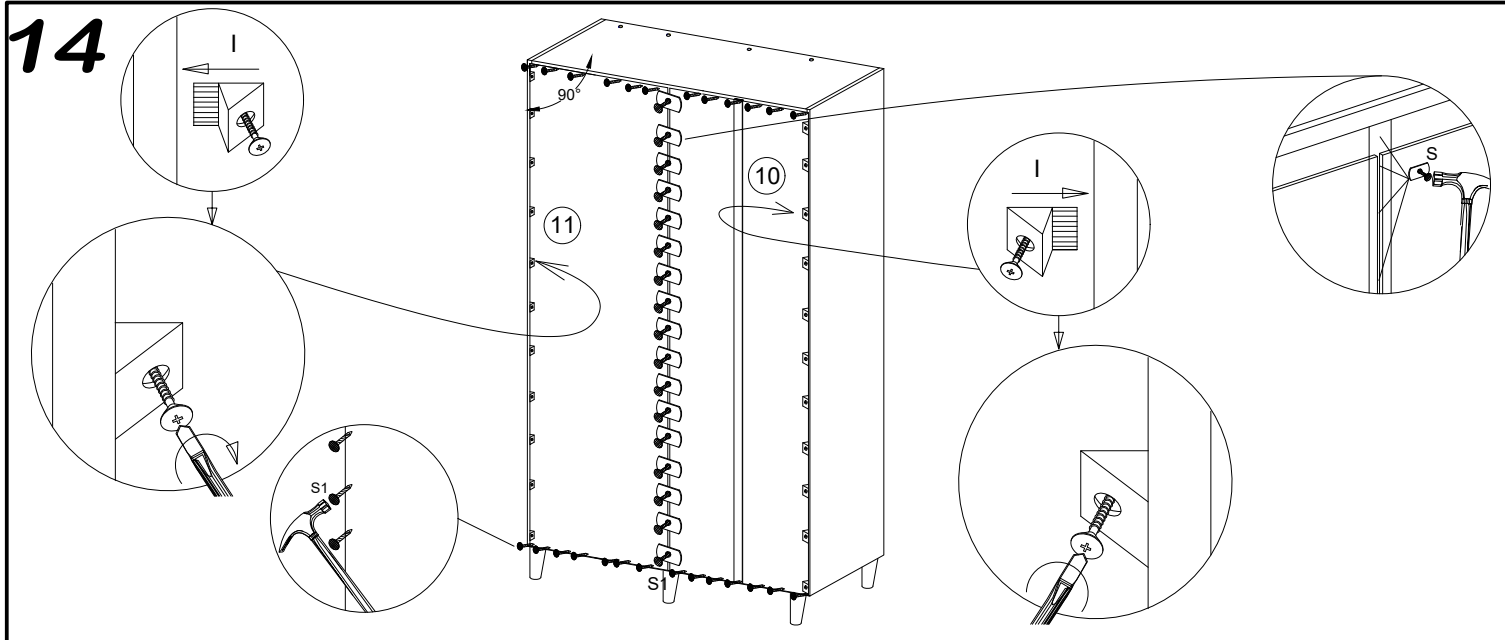


# 12



# 13





# 16

