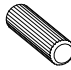
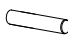






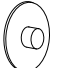

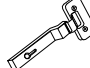

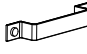
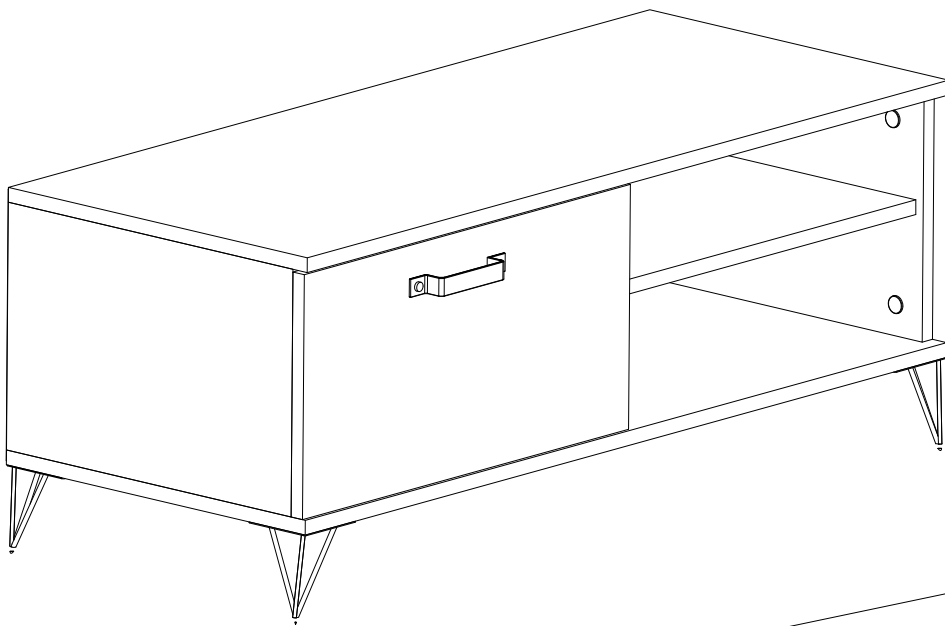
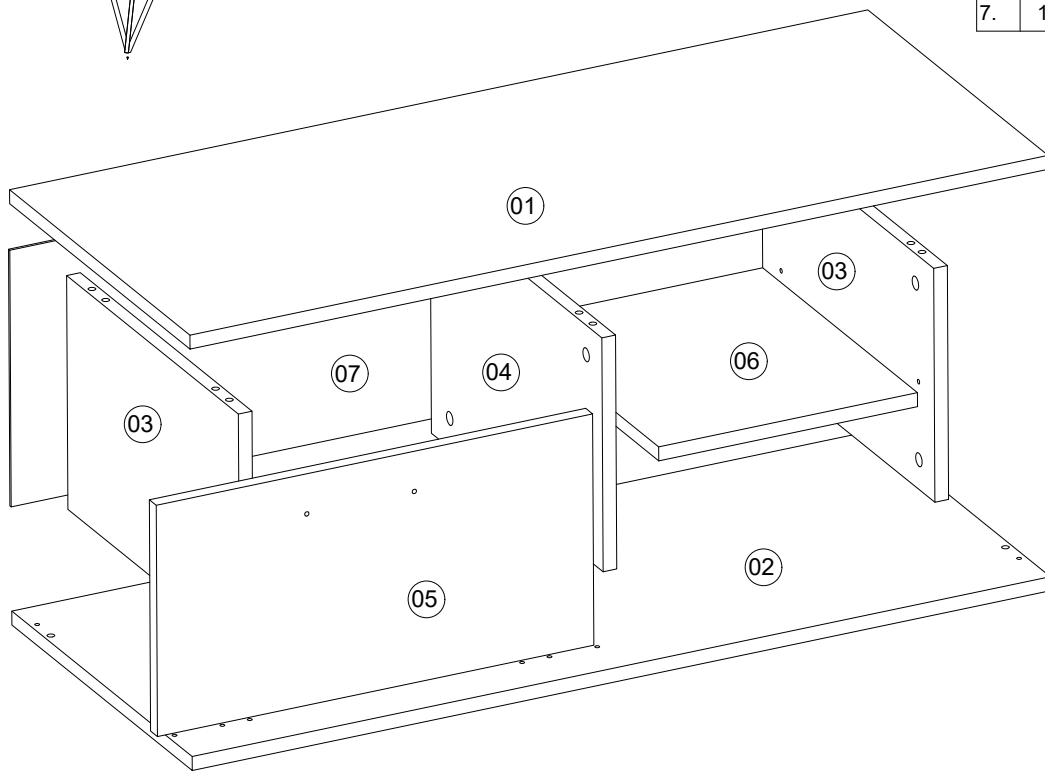


8.0x35  D 12	 S 4	 A 12	Ø15x12  B 12	6.3x13  E1 16	1.4x25  T 30	4.0x25  G 2	 NG 4
 X 12	3.5x16  H1 4	 Z1 2	 L 2	 UH 1			

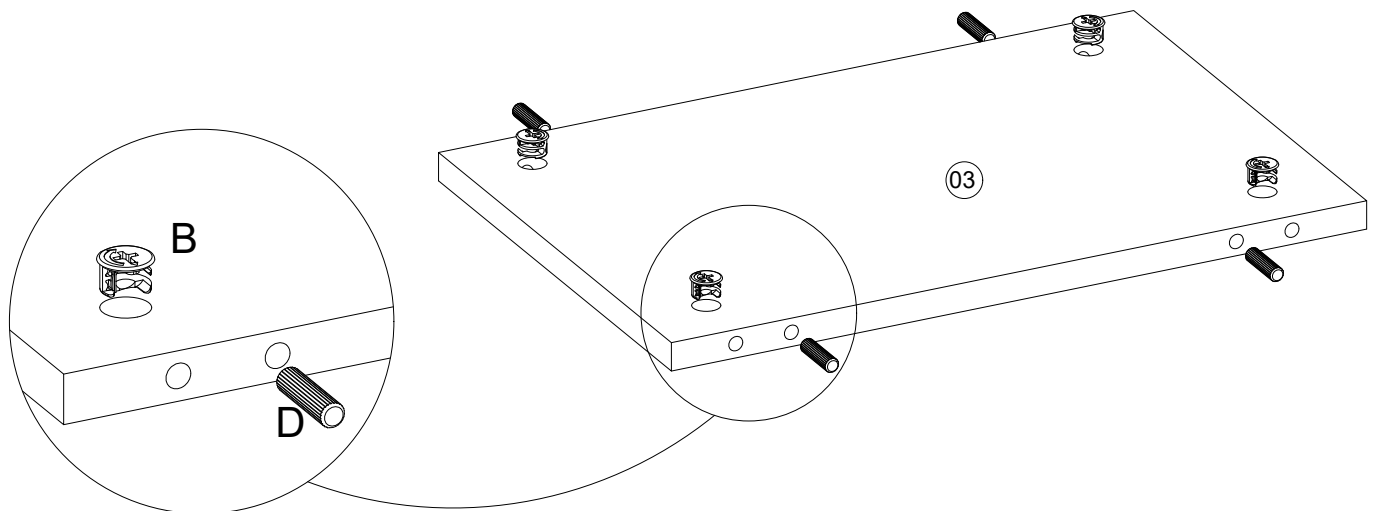




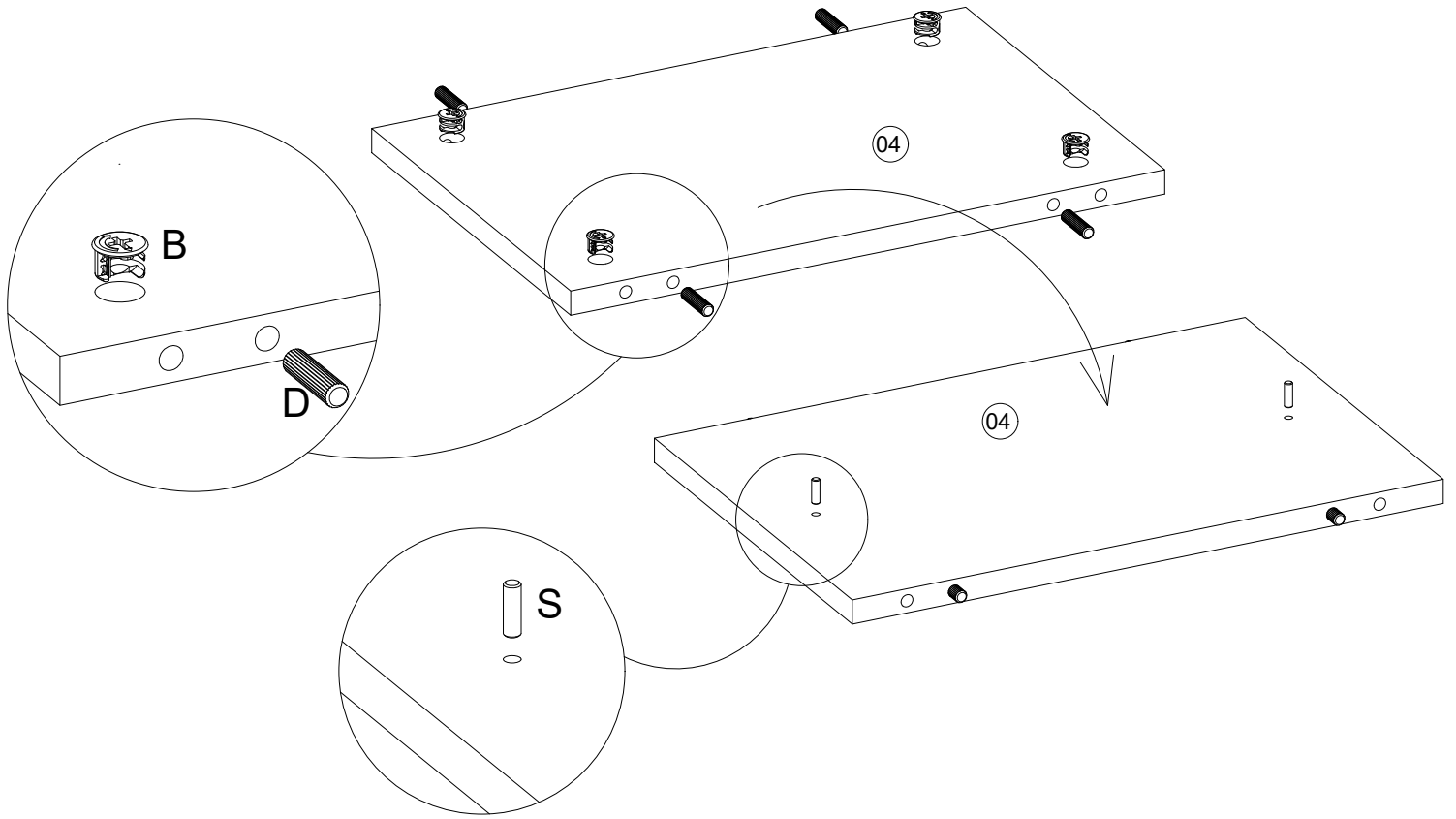
1.	1	1002	450	16
2.	1	1002	450	16
3.	2	206	430	16
4.	1	206	430	16
5.	1	200	500	16
6.	1	475	425	16
7.	1	996	234	3



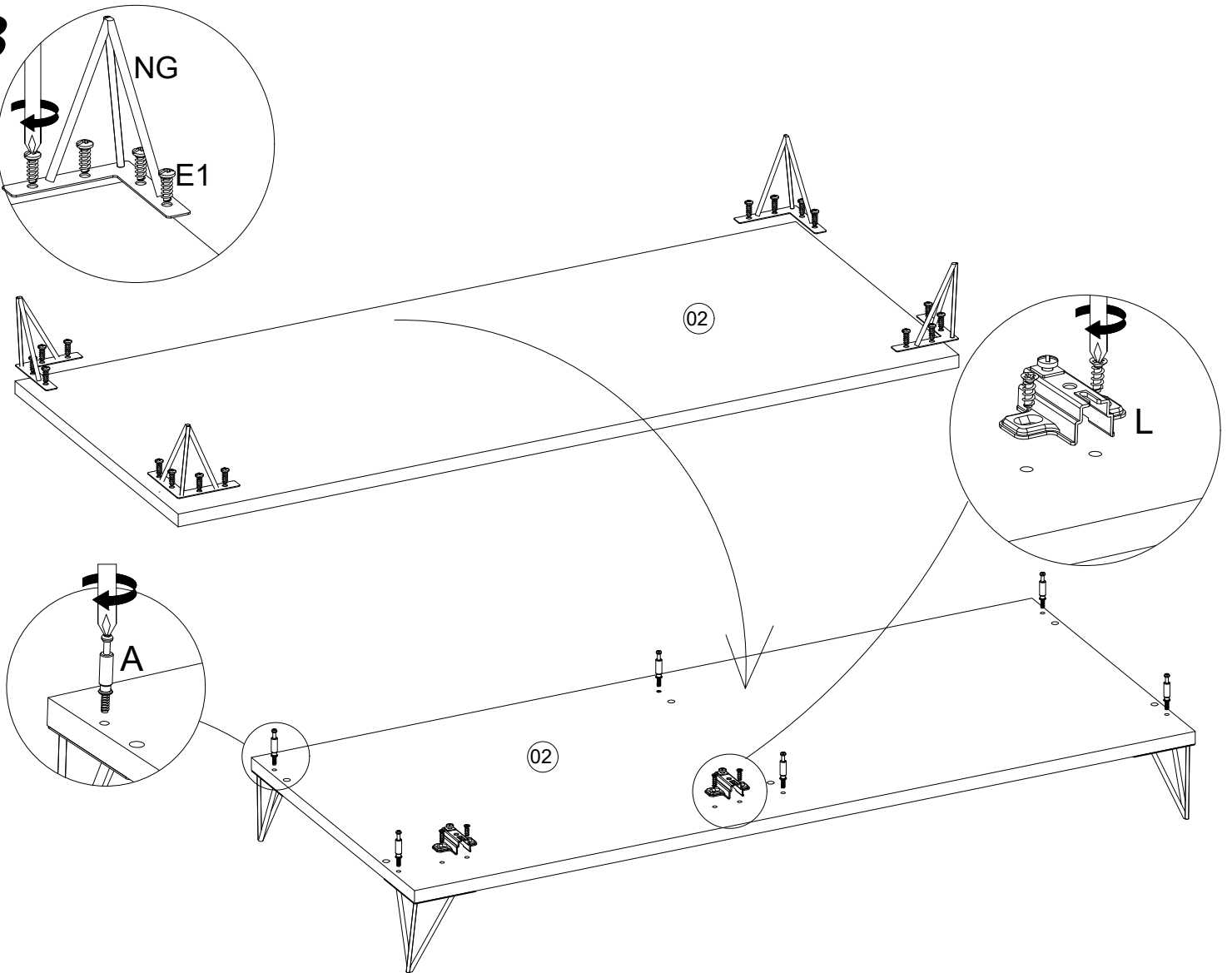
1



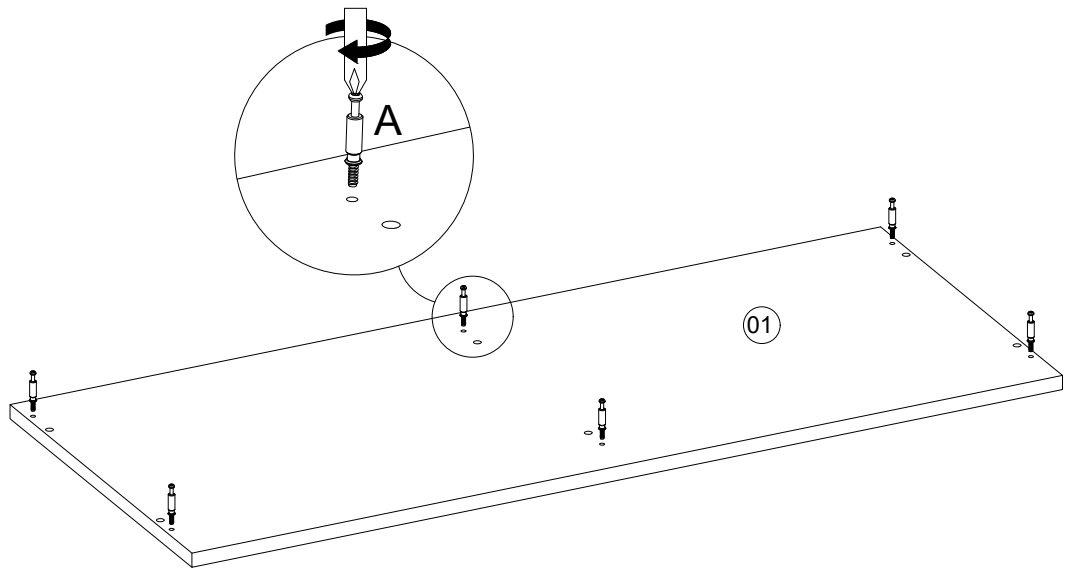
2



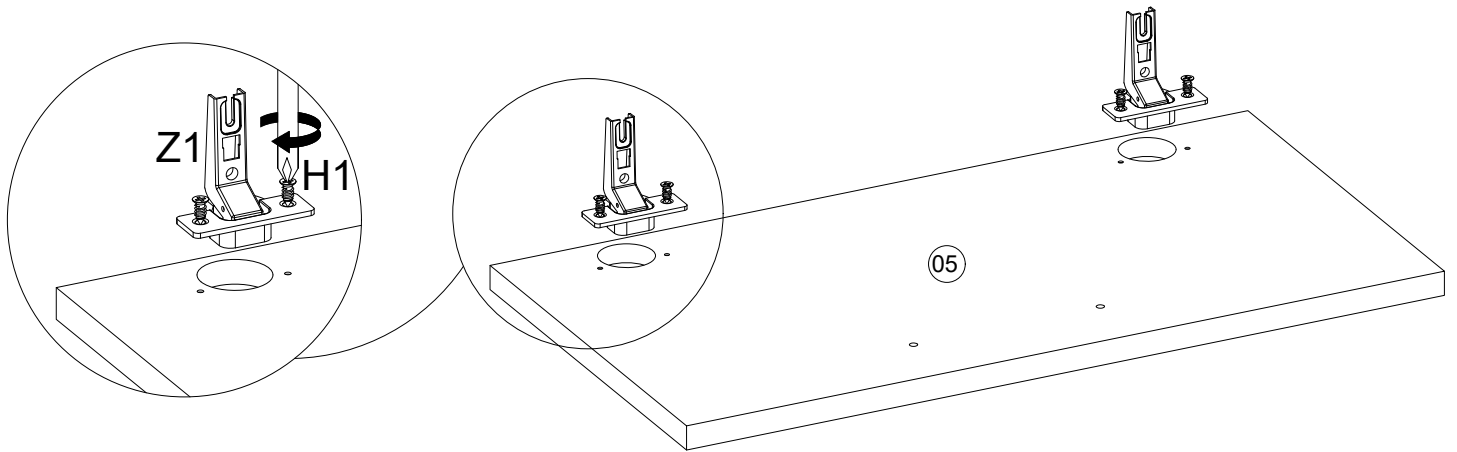
3



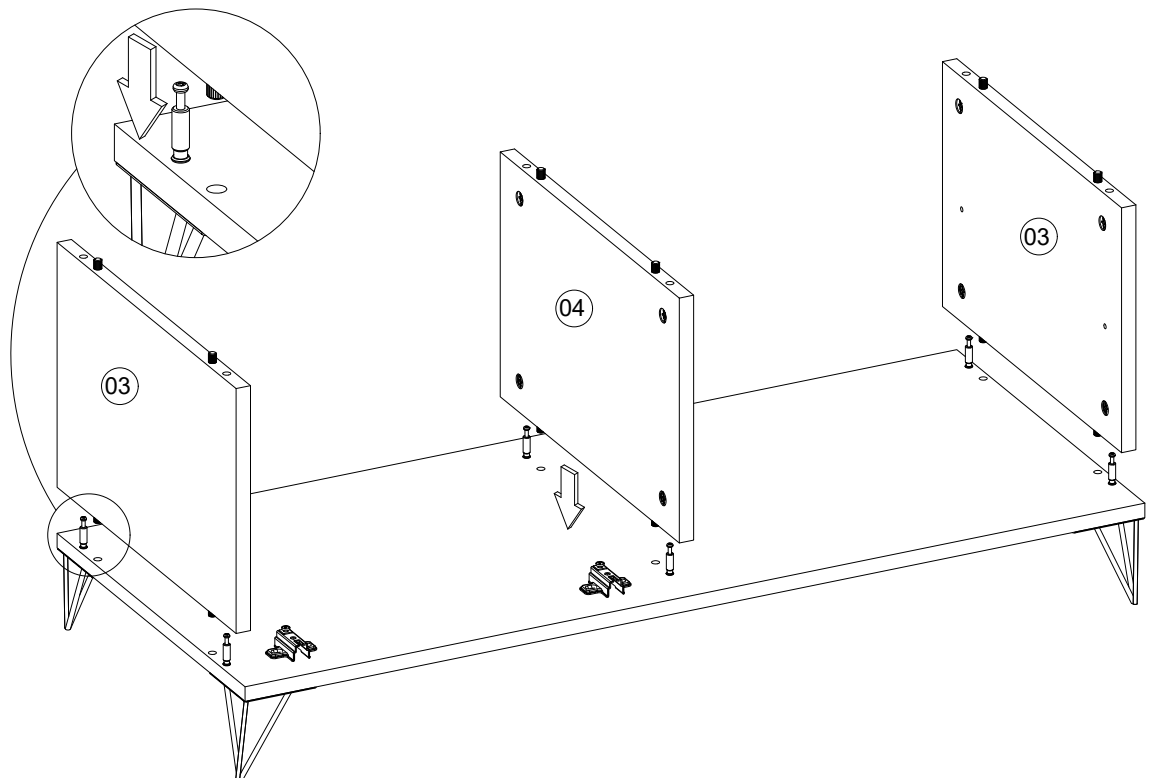
4



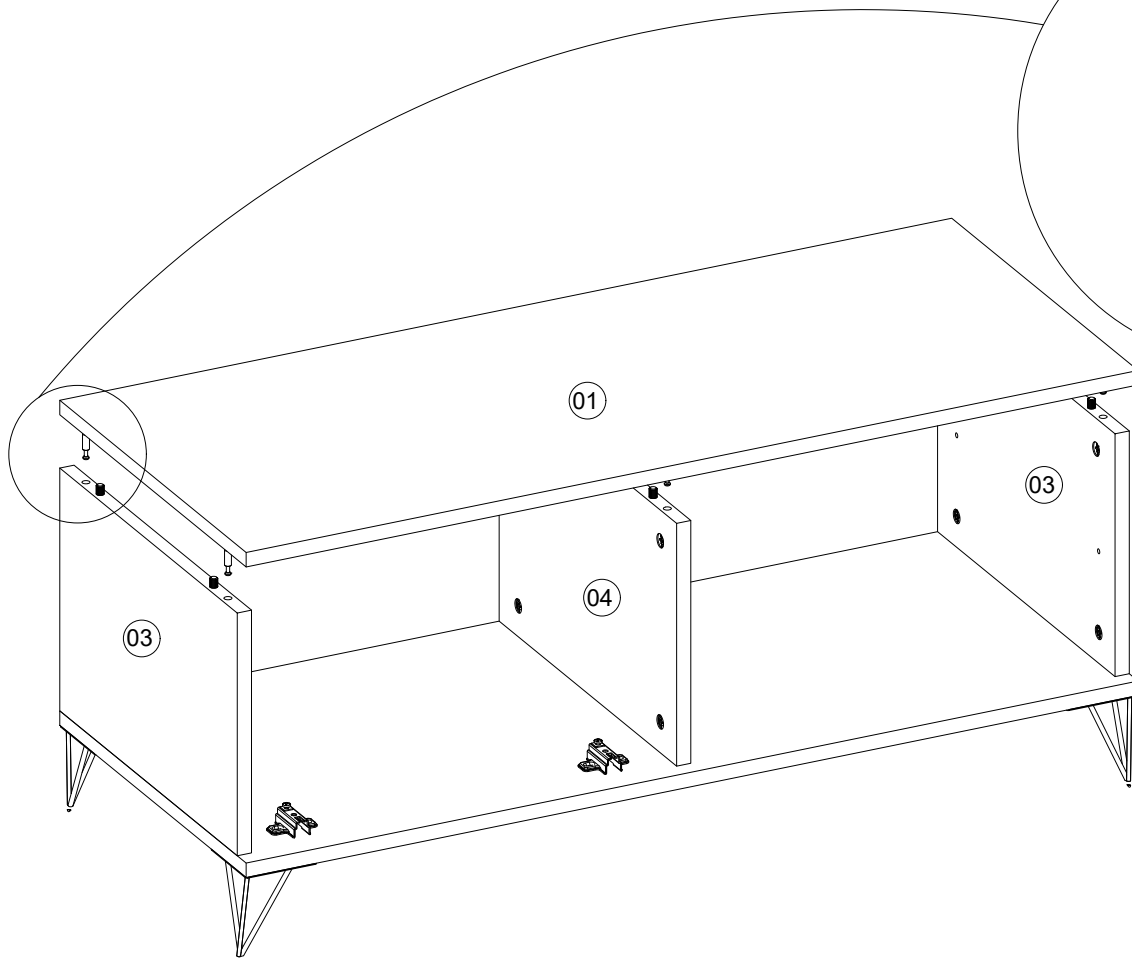
5



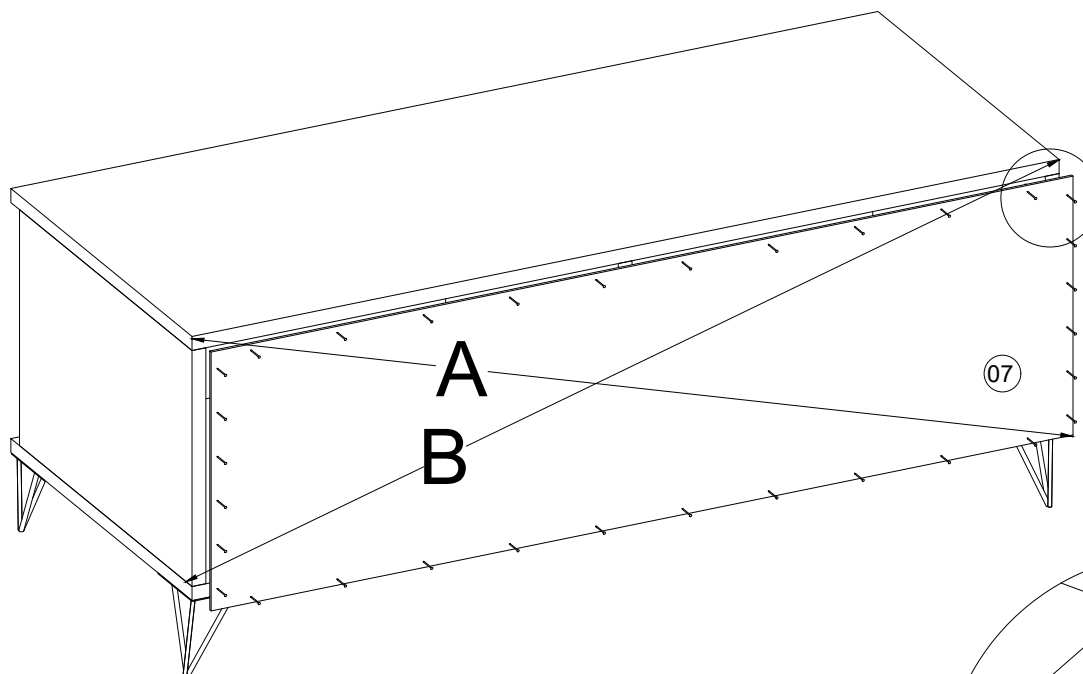
6



7

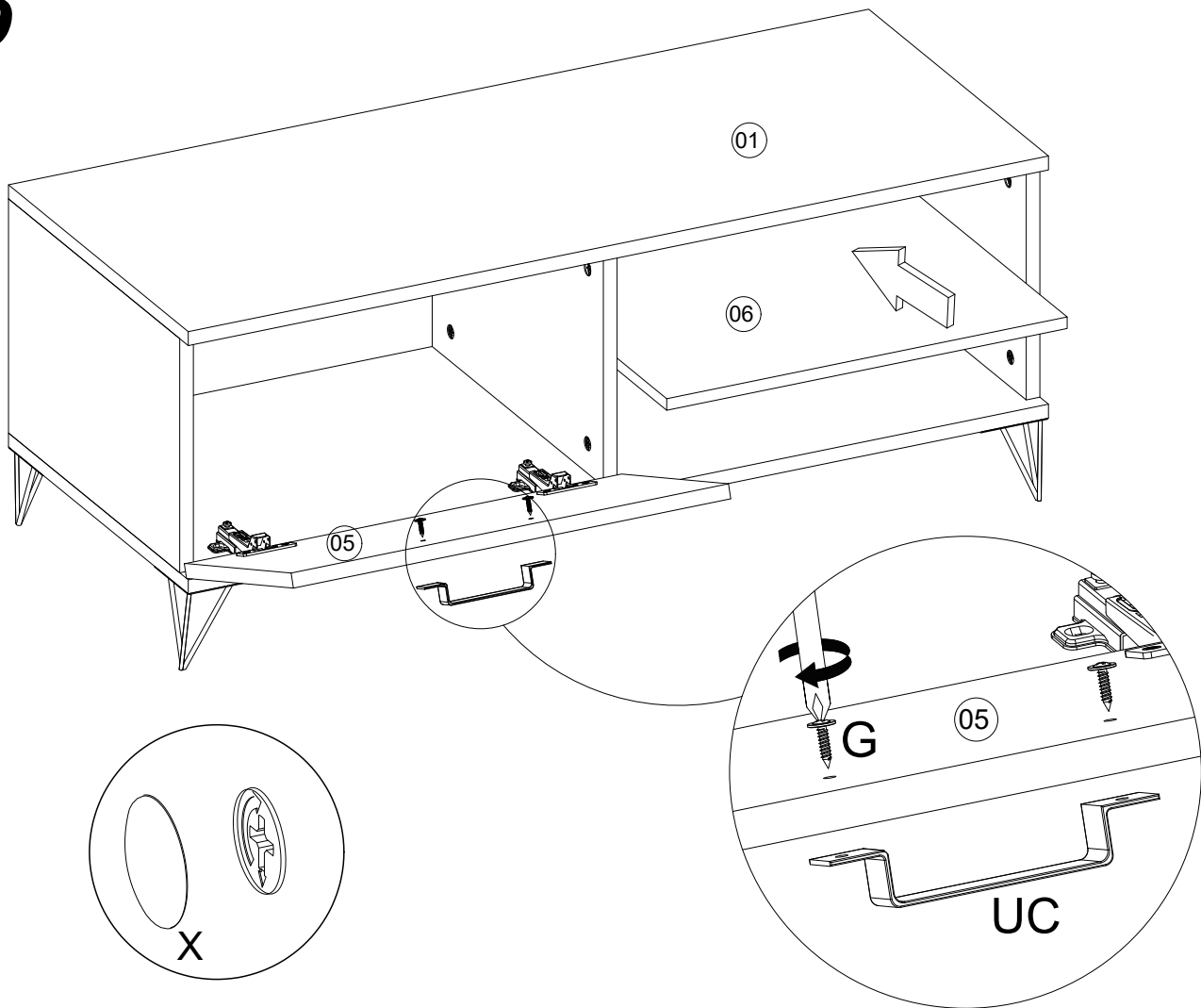


8



**! A=B !**

# 9



# 10

