

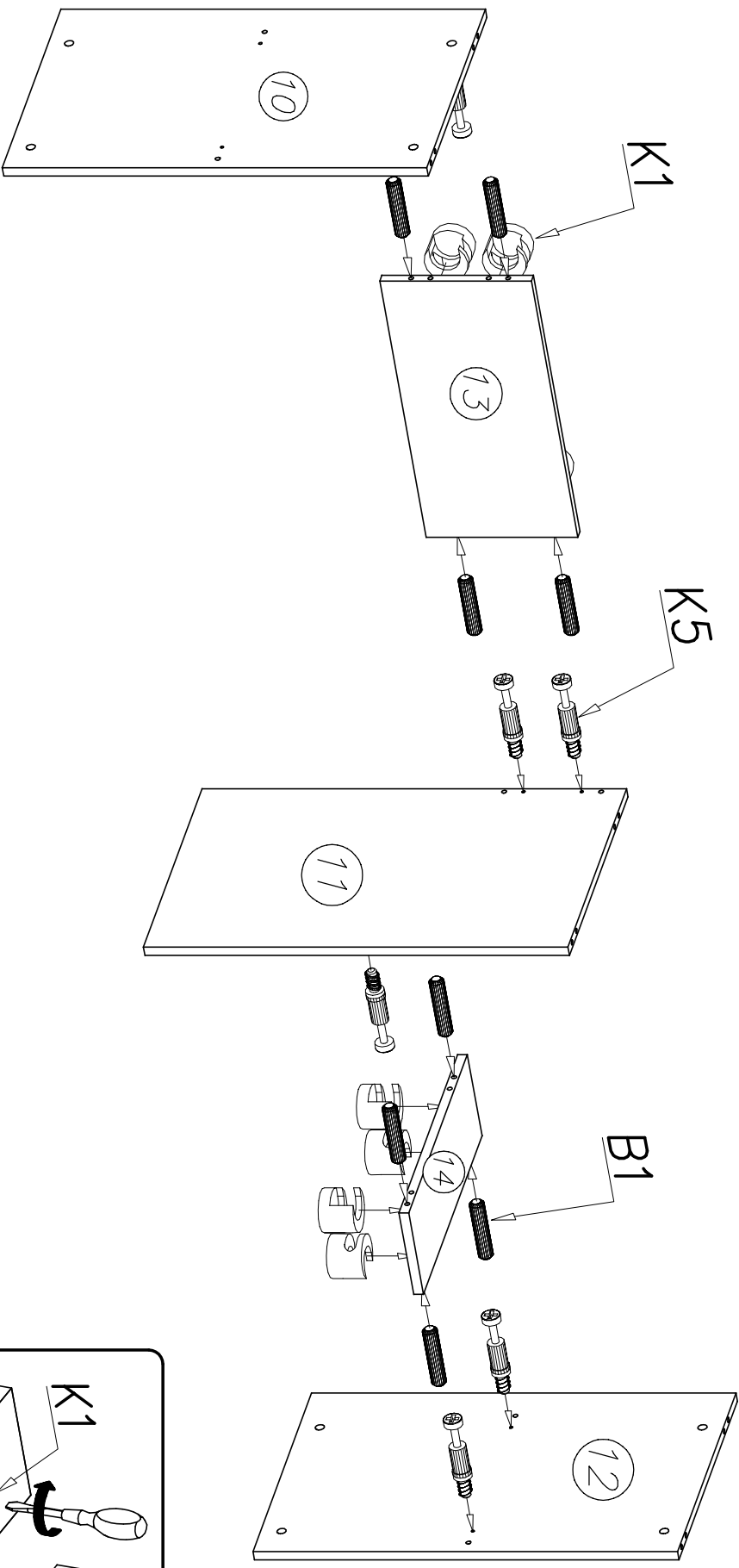
I9		40x
I10		x98
G2		3x20 x24
C4		Z350D x4
M1		x1
G14		3,5x45 x7



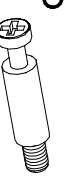
W4		x156	P24		x6	B1		ø8x30 x166	H9		500mm x4	G20		5x13 x24
W2		4mm x1	K5		x94	K1		ø15x12 x94	F2		x12	C3		Z35PR x4
A1		ø7x50 x40	G4		4x16 x32	G6		3x12 x2	S4		x2	D4		x8
P7		x18	G16		4x27 x9	E35		x9	S5		x1			

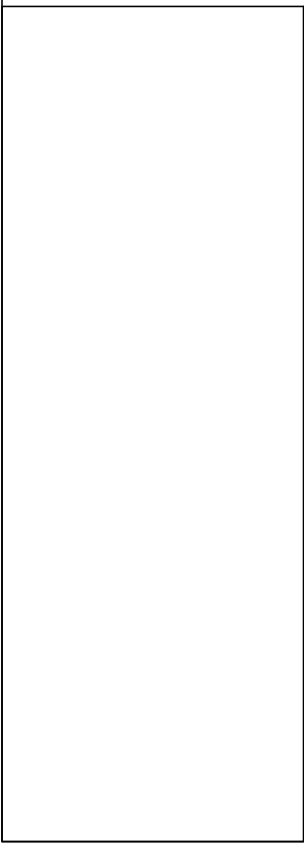
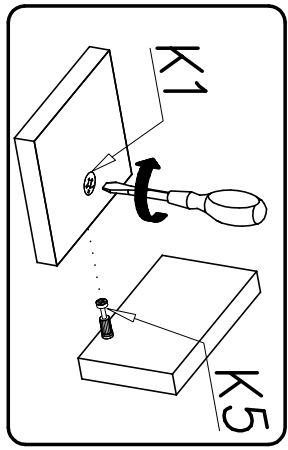
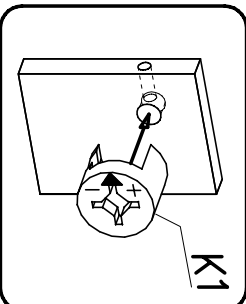
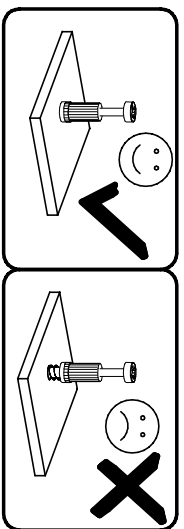
1	880	450	16	1	4/7
2	880	218	16	2	4/7
3	900	450	16	1	4/7
4	680	234	16	2	4/7
5	700	450	16	1	4/7
6	480	234	16	2	4/7
7	500	450	16	1	4/7
8	743	446	3	1	5/7
9	1231	900	16	1	2/7
10	700	440	16	1	1/7
11	700	440	16	1	1/7
12	700	440	16	1	1/7
13	498	250	16	1	1/7
14	158	440	16	1	1/7
15	880	450	16	1	1/7
16	190	440	16	1	1/7
17	190	440	16	1	1/7
18	921	496	16	1	6/7
19	174	440	16	1	1/7
20	931	900	16	1	3/7
21	931	900	16	1	3/7
22	281	900	16	4	2/7

23	931	900	16	1	3/7
24	931	900	16	1	3/7
25	281	70	16	2	2/7
26	418	130	16	2	2/7
27	467	300	16	1	4/7
28	467	300	16	1	4/7
29	467	900	16	1	2/7
30	931	900	16	1	3/7
31	2000	900	16	1	5/7
32	2014	930	16	1	5/7
33	1231	900	16	1	2/7
34	500	283	16	1	1/7
35	2017	300	16	1	5/7
36	2017	300	16	1	5/7
37	445	228	16	4	7/7
38	500	180	16	4	5/7
39	500	180	16	4	5/7
40	361	180	16	4	1/7
41	392	505	3	4	5/7
42	921	496	16	1	6/7
43	446	480	16	1	1/7
44	281	900	16	2	2/7
45	445	228	16	1	7/7
46	445	228	16	2	7/7


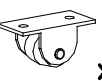
1

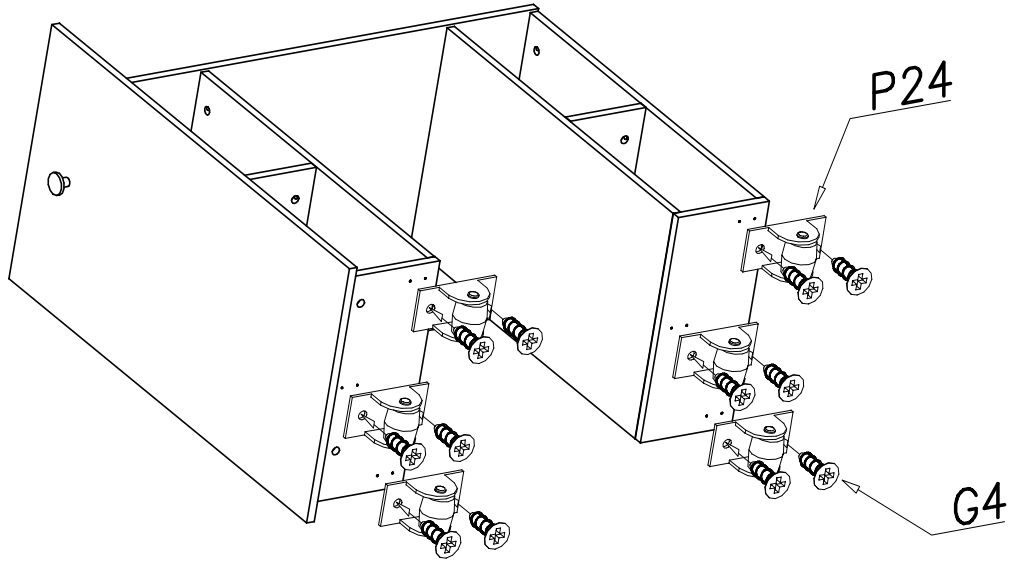


B1		K1		K5	
ø8x30	x8	ø15x12	x8	x8	

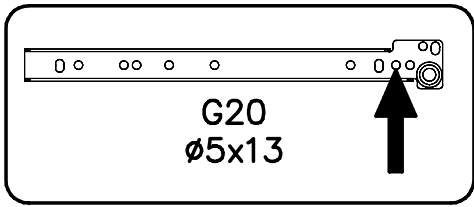




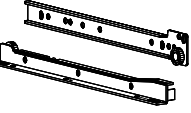

4

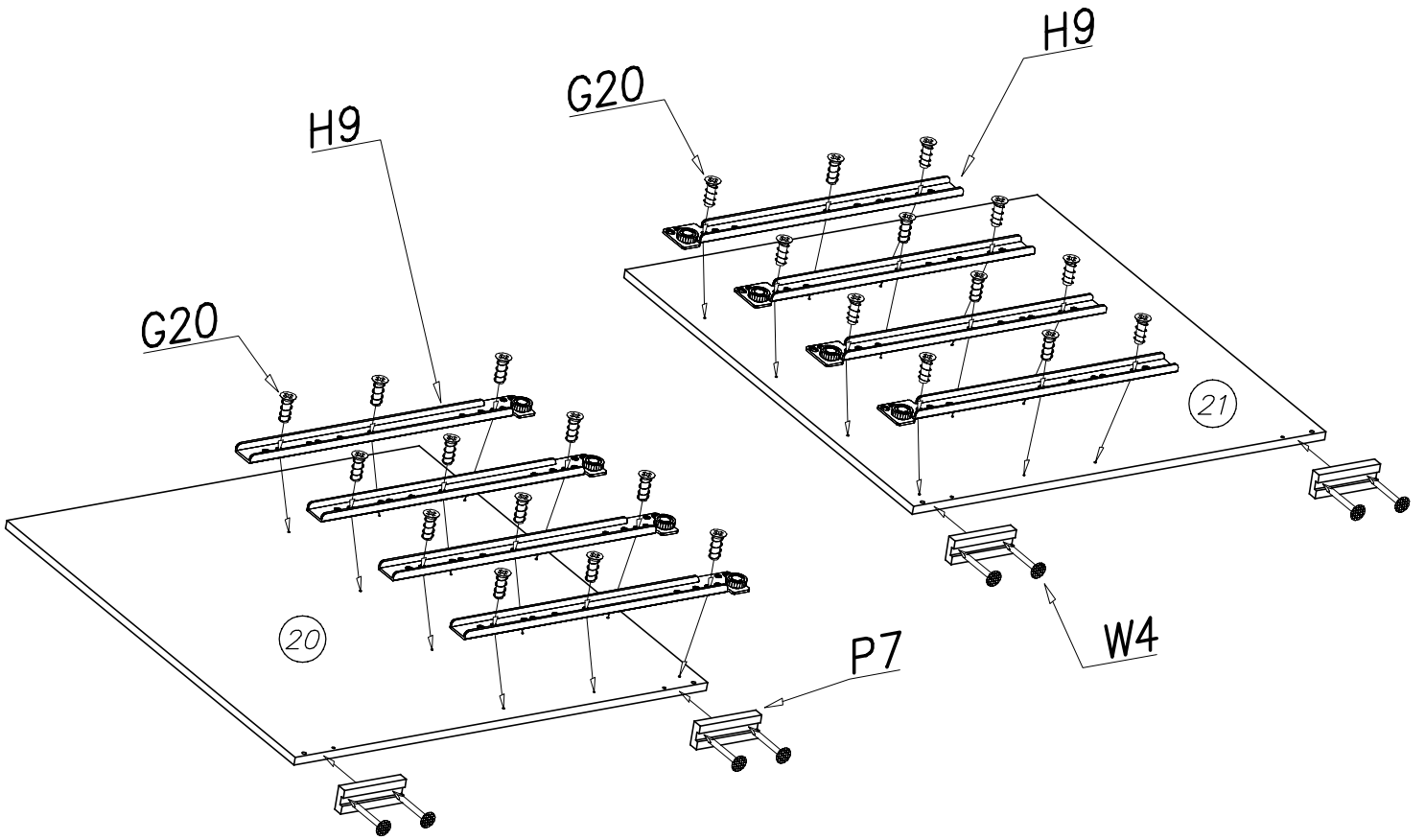
G4		P24	
4x16	x12		x6





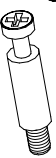


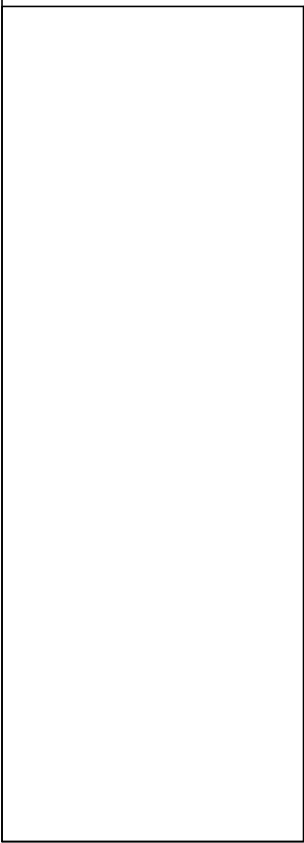
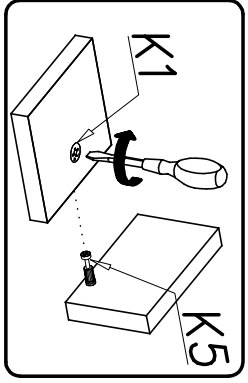
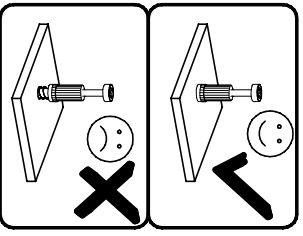
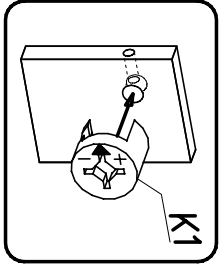
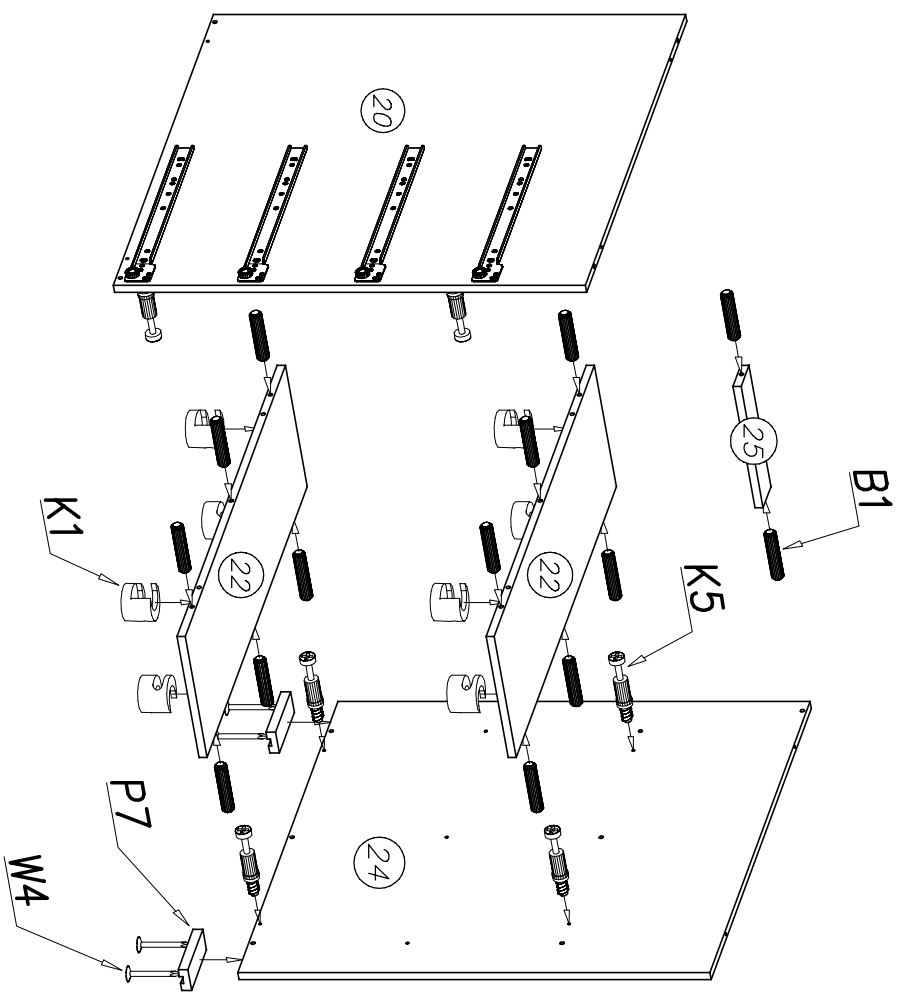
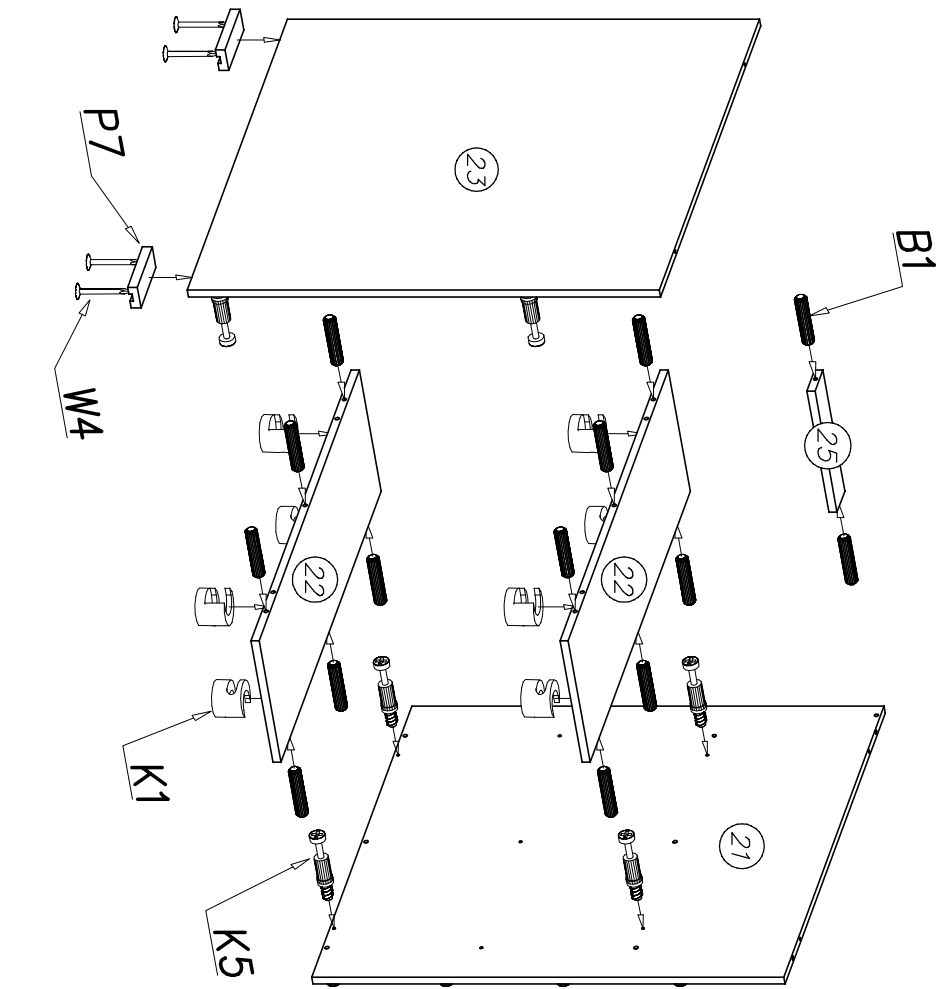
5







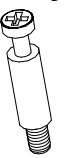


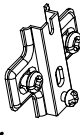
W4		G20		H9	
	x8	5x13	x24	500mm	x4
		P7			
			x4		

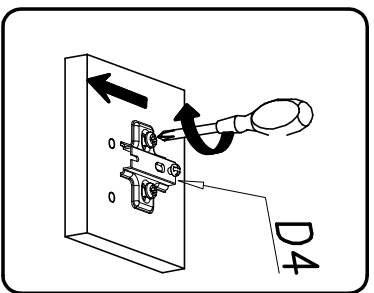
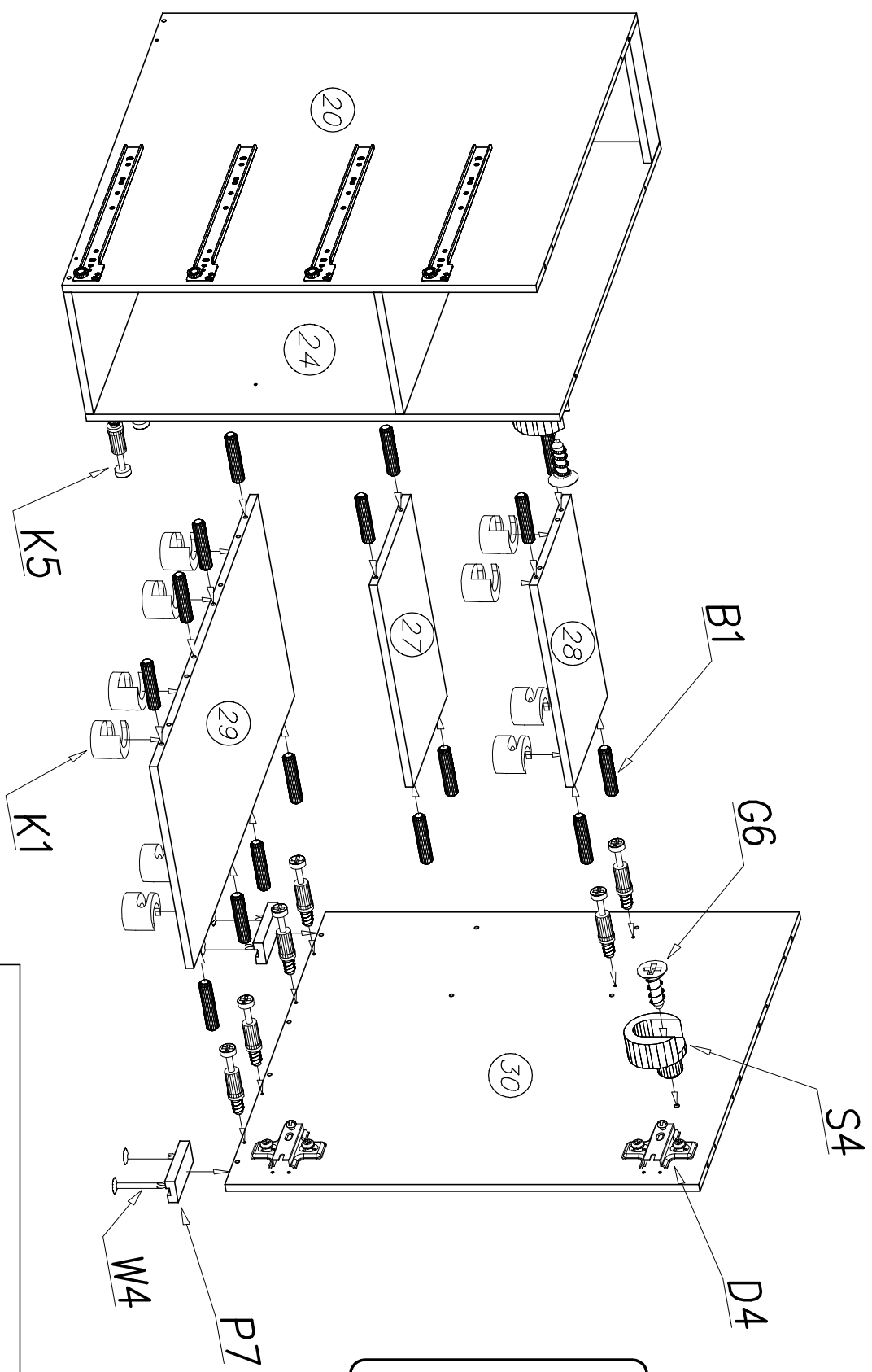


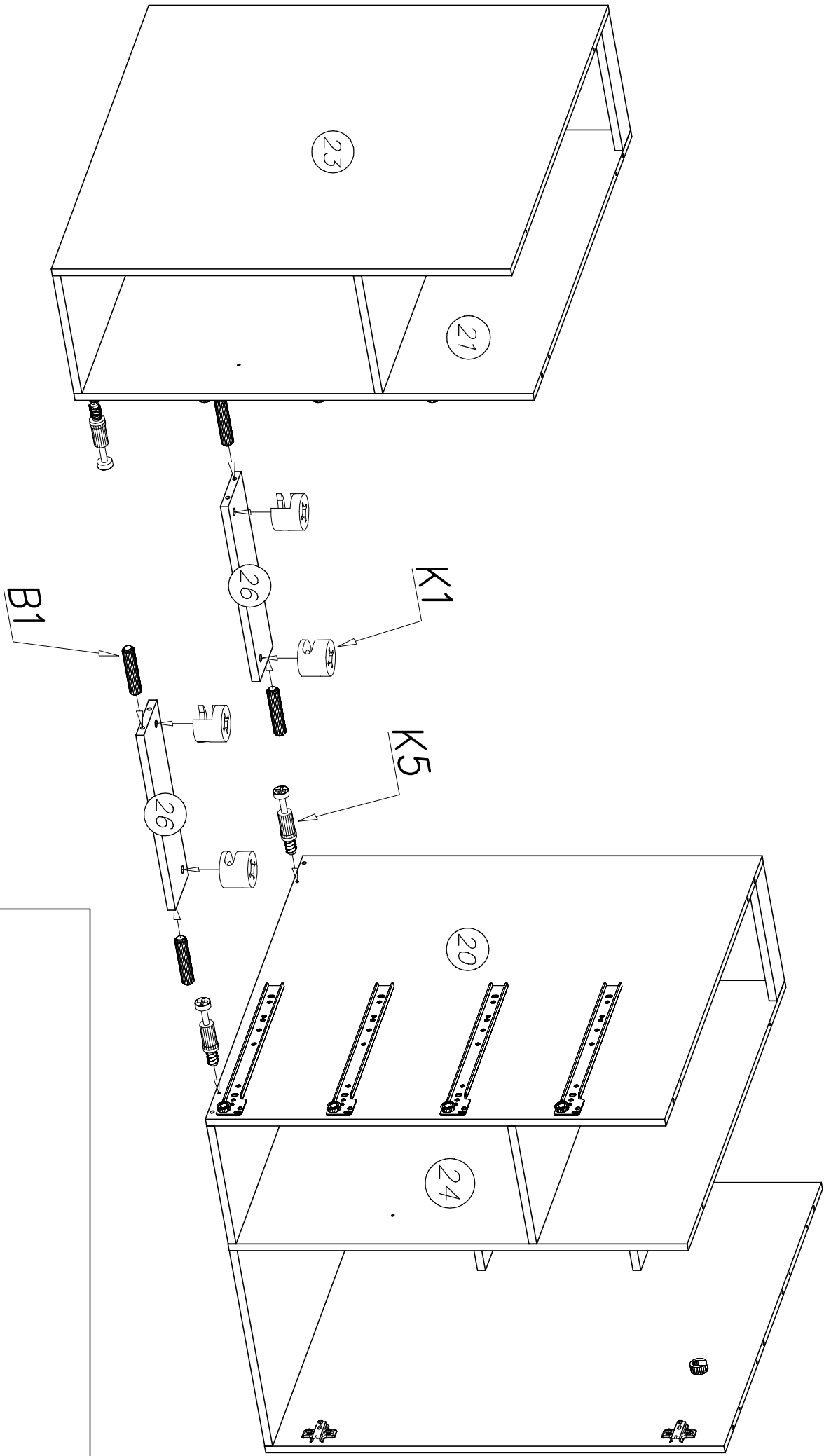
W4	P7	B1	K1	K5
				
x8	x4	ø8x30	ø15x12	x16
		x28	x16	x16



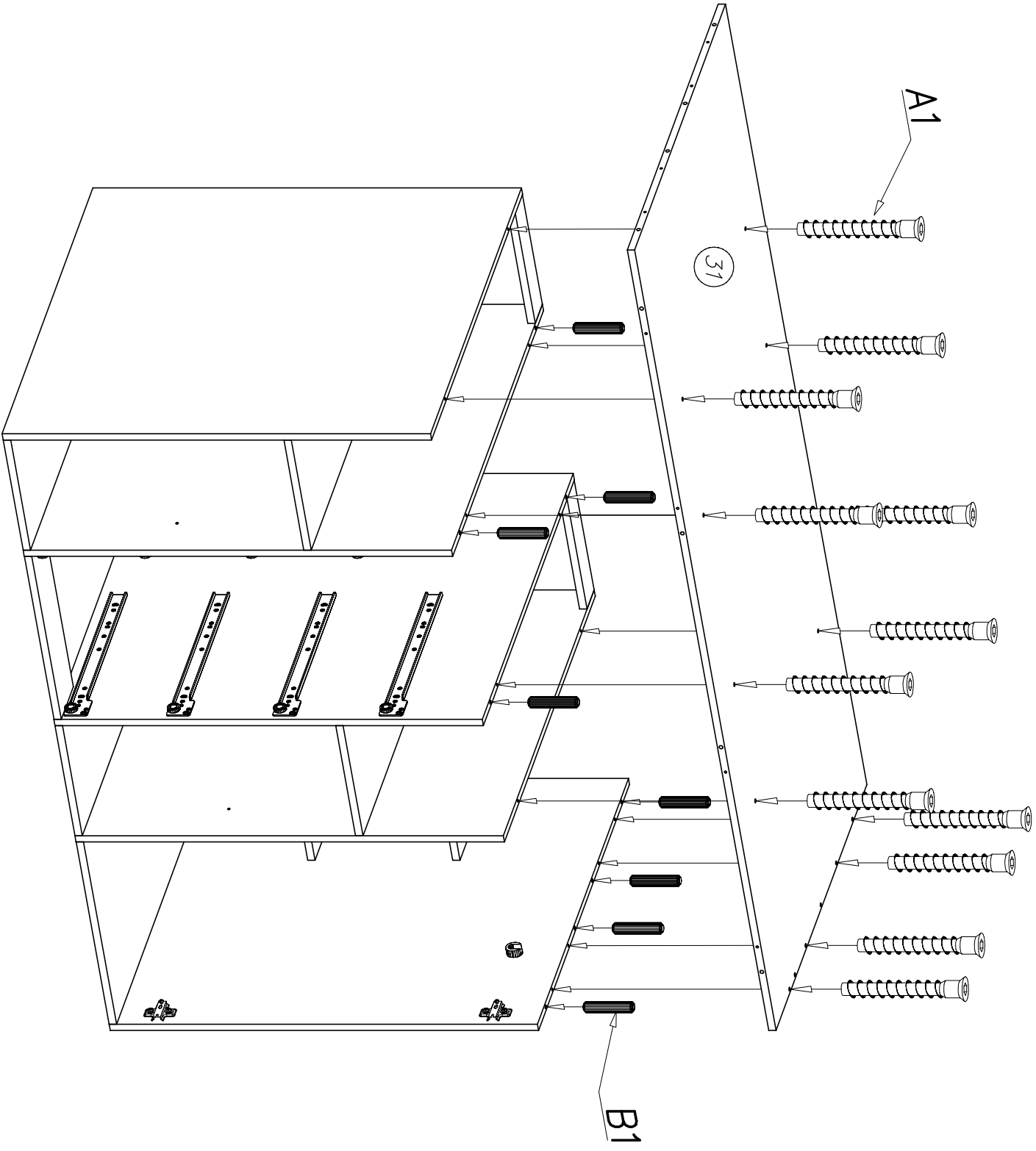
G6		S4		W4		P7		B1		K1		K5	
3x12		x2	x2	x4	x4	x2	x2	ø8x30	x16	ø15x12	x12	x12	x2




D4	
x2	





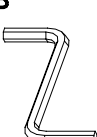






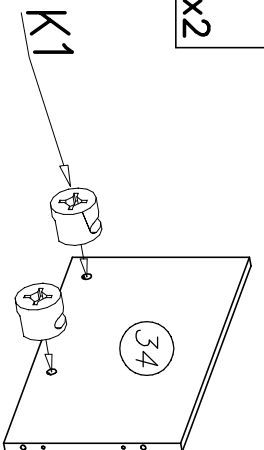
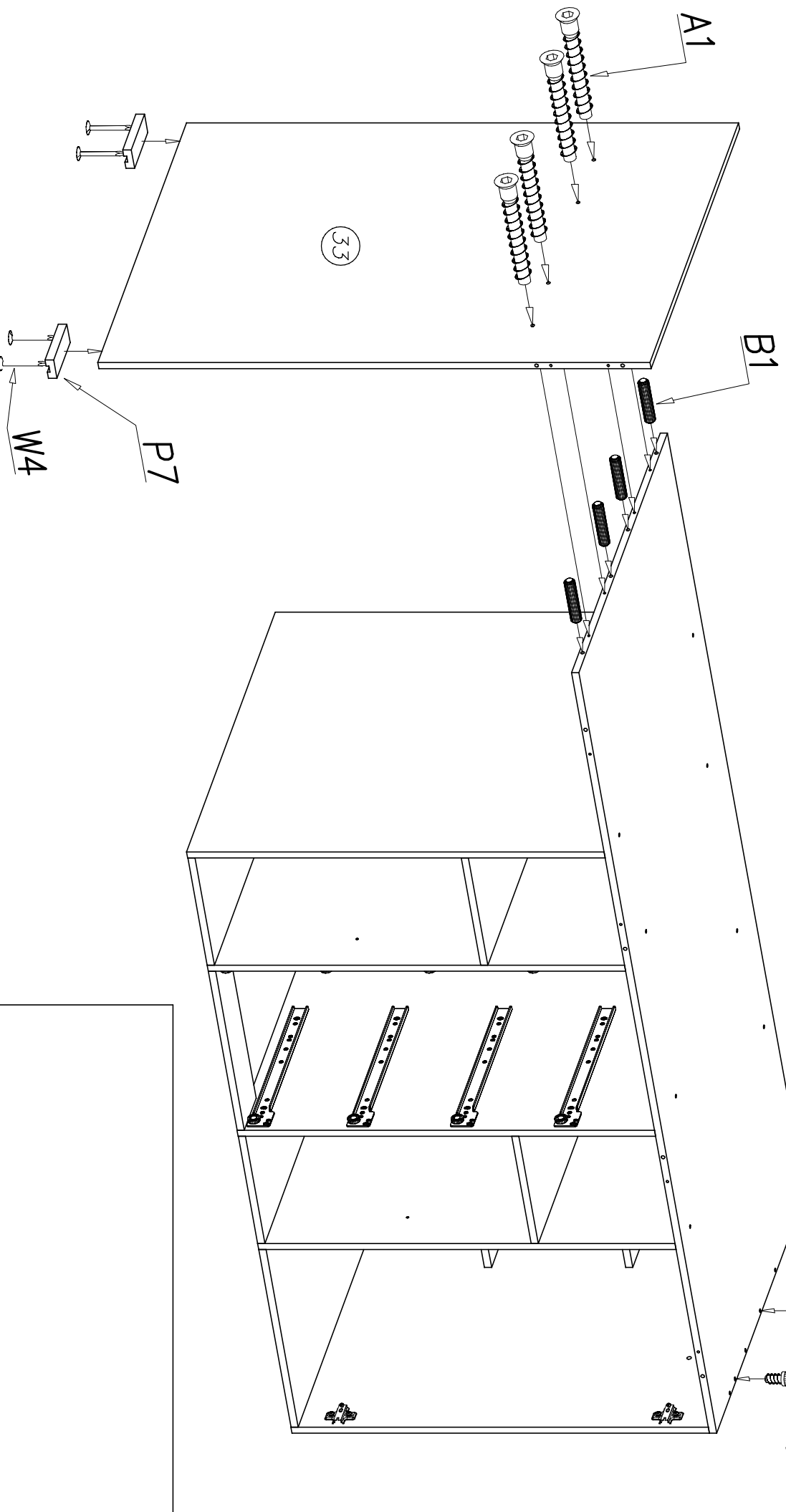
B1		K1		K5	
Ø8x30		Ø15x12			
X4		X4			X4

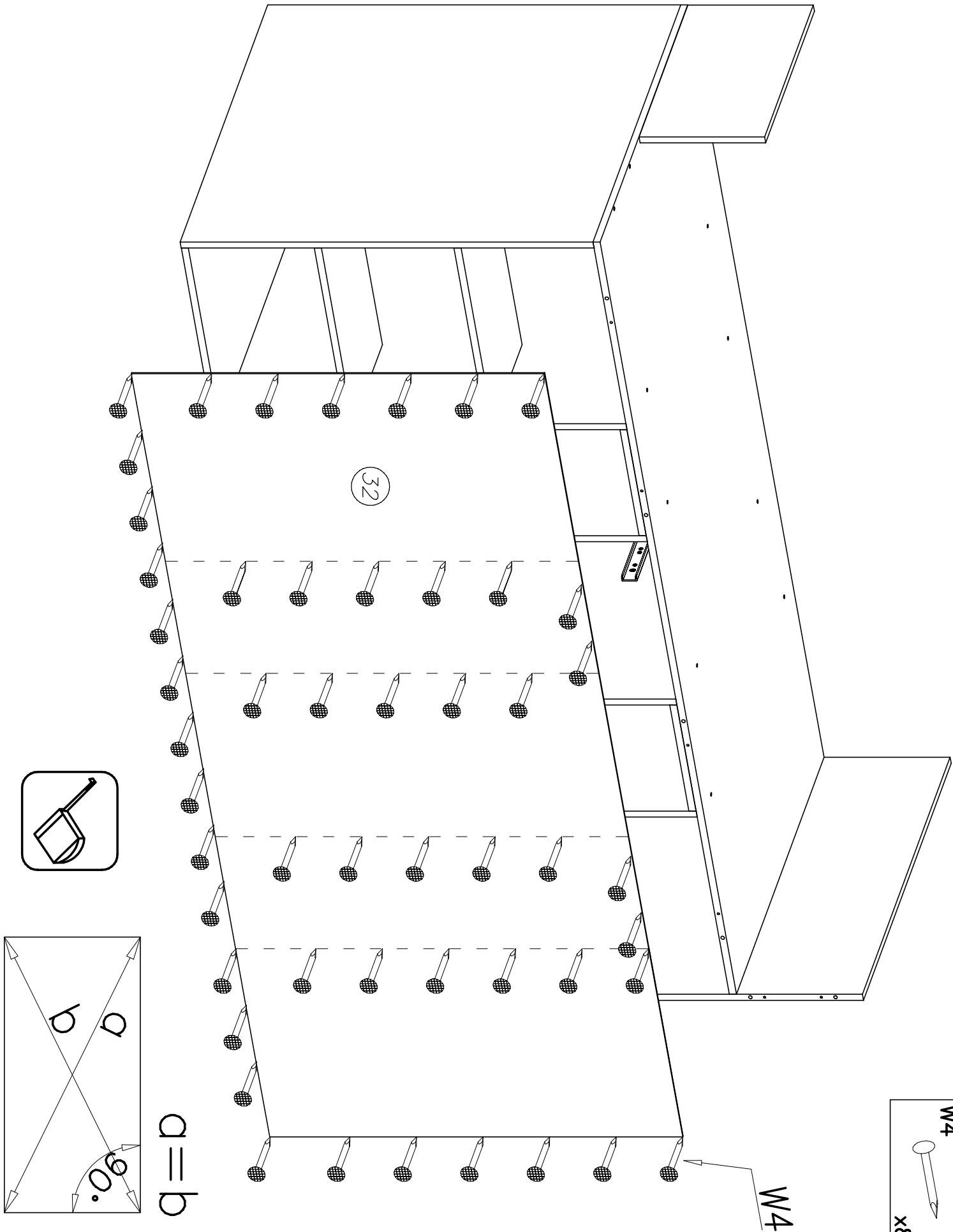


W2		x1
4mm		
A1		x12
ø7x50		
B1		x8
ø8x30		

10

W4		x4
P7		x2
W2		x1
B1		x4
A1		x4
K1		x2
K5		x2



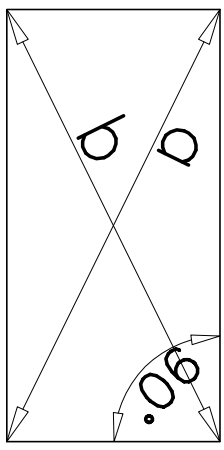


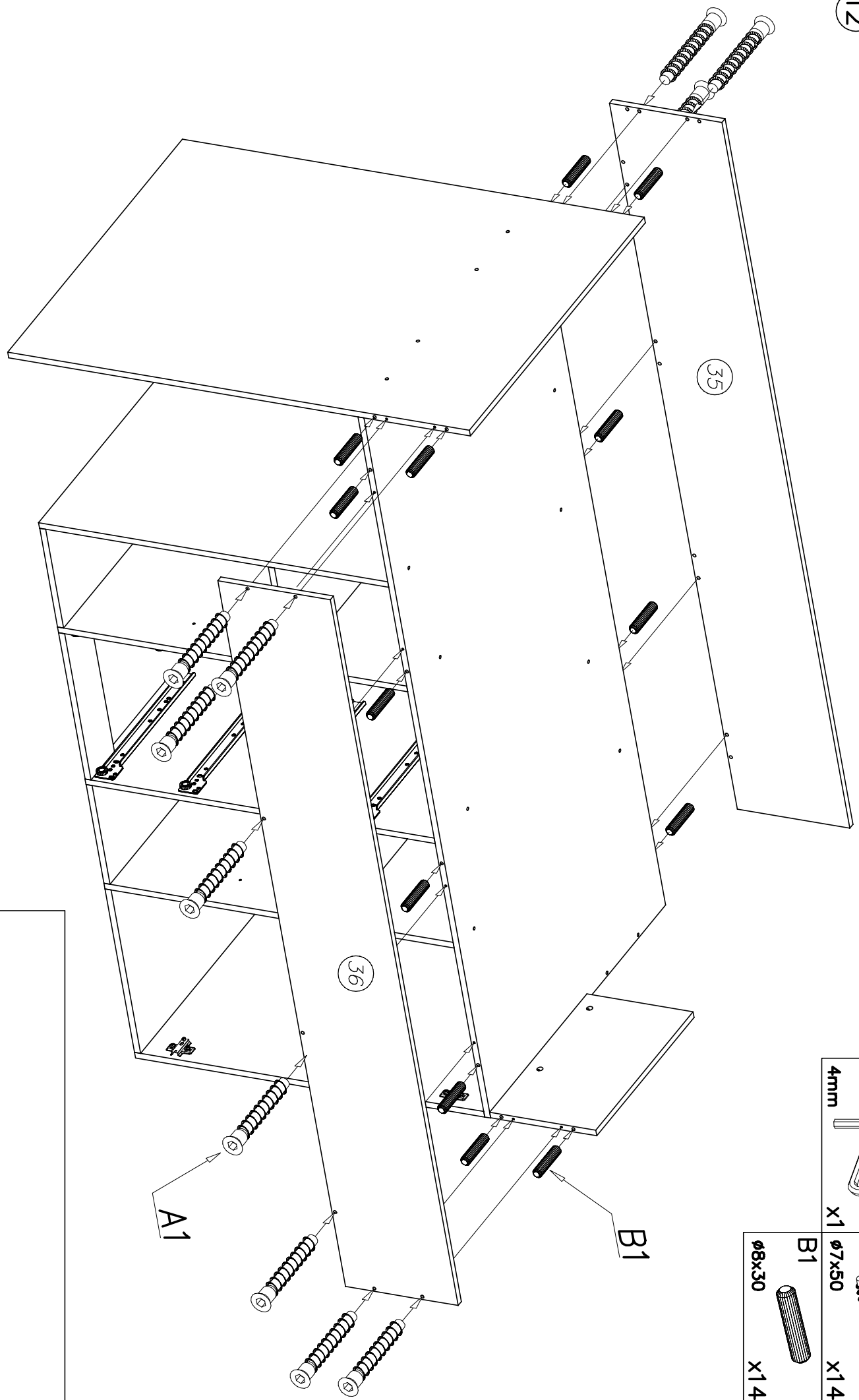
32

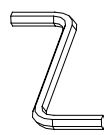
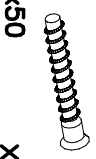
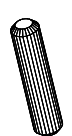
$a = b$

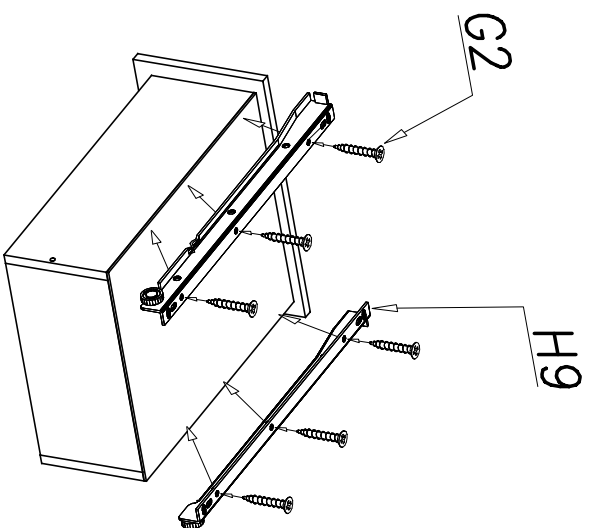
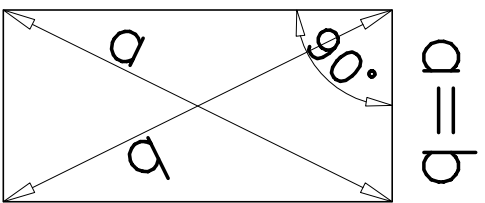
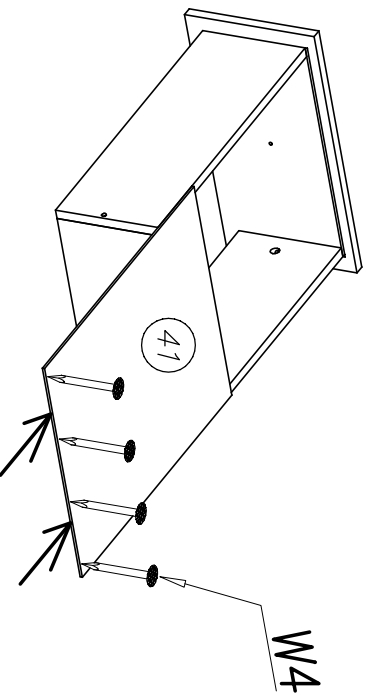
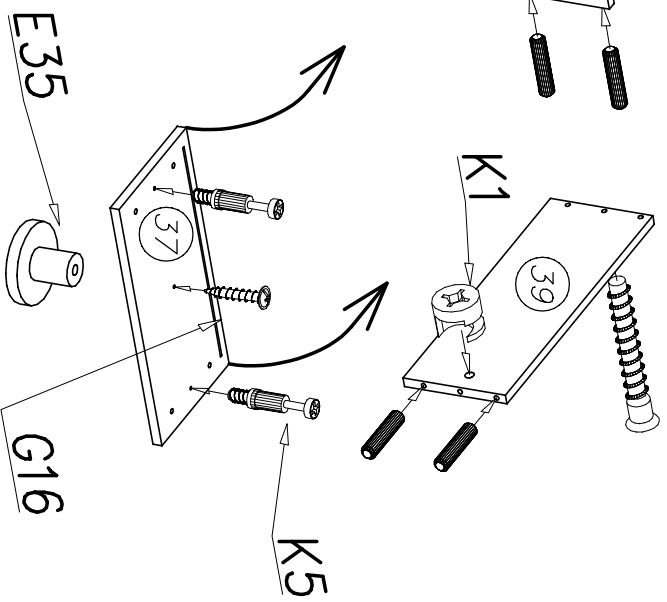
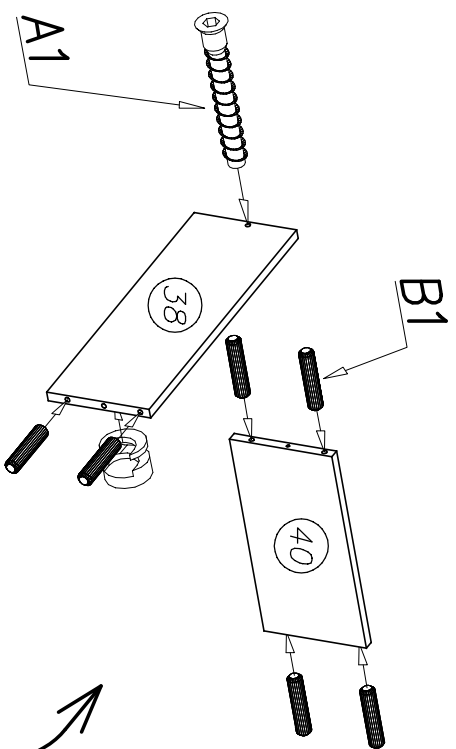
W4

W4
x80





W2		A1	
4mm		Ø7x50	x14
x1		B1	
		Ø8x30	x14



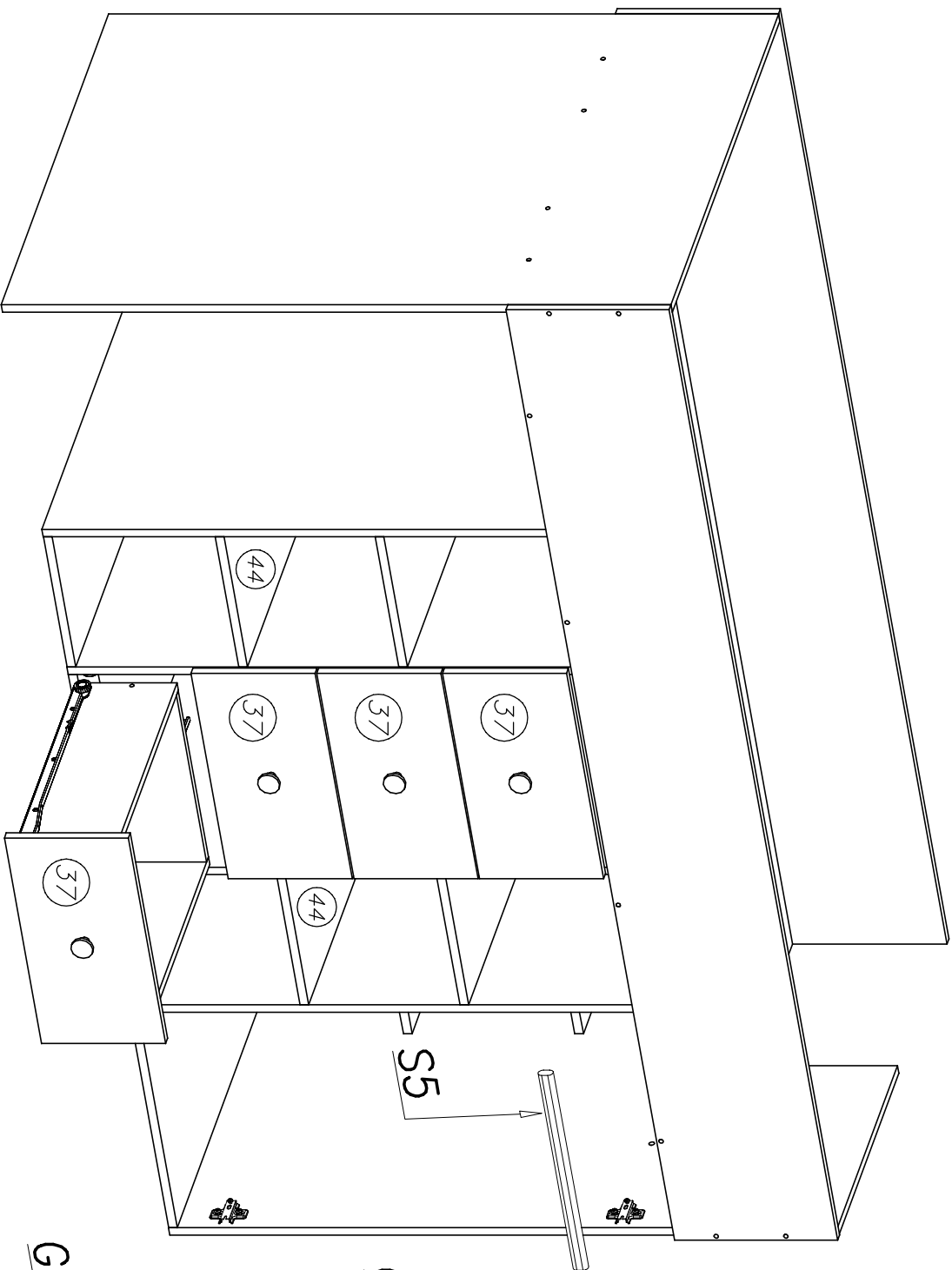
W2		x1
4mm		

W4		x20
G2		x4
3x20		x24
E35		x4

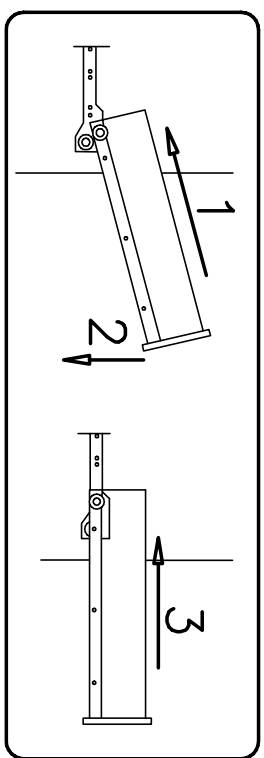
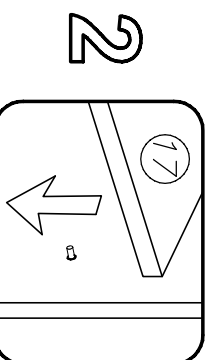
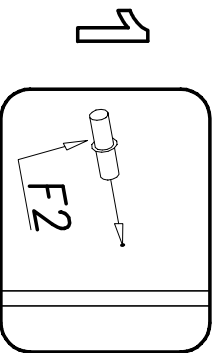
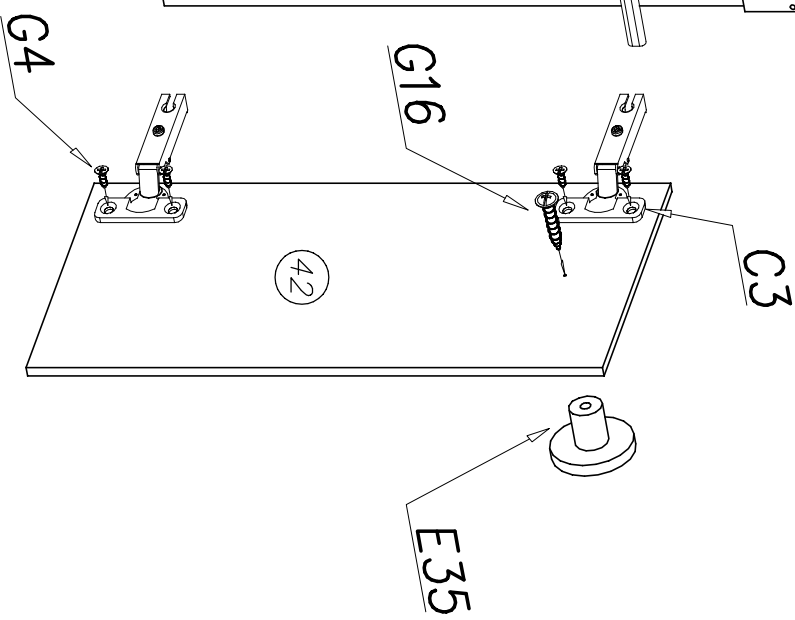
H9		x4
K1		x8
500mm		x4
K5		x8
$\phi 15 \times 12$		x8
A1		x8
$\phi 7 \times 50$		x8
B1		x32
$\phi 8 \times 30$		x32

W4		x4
G16		x4
4x27		x4

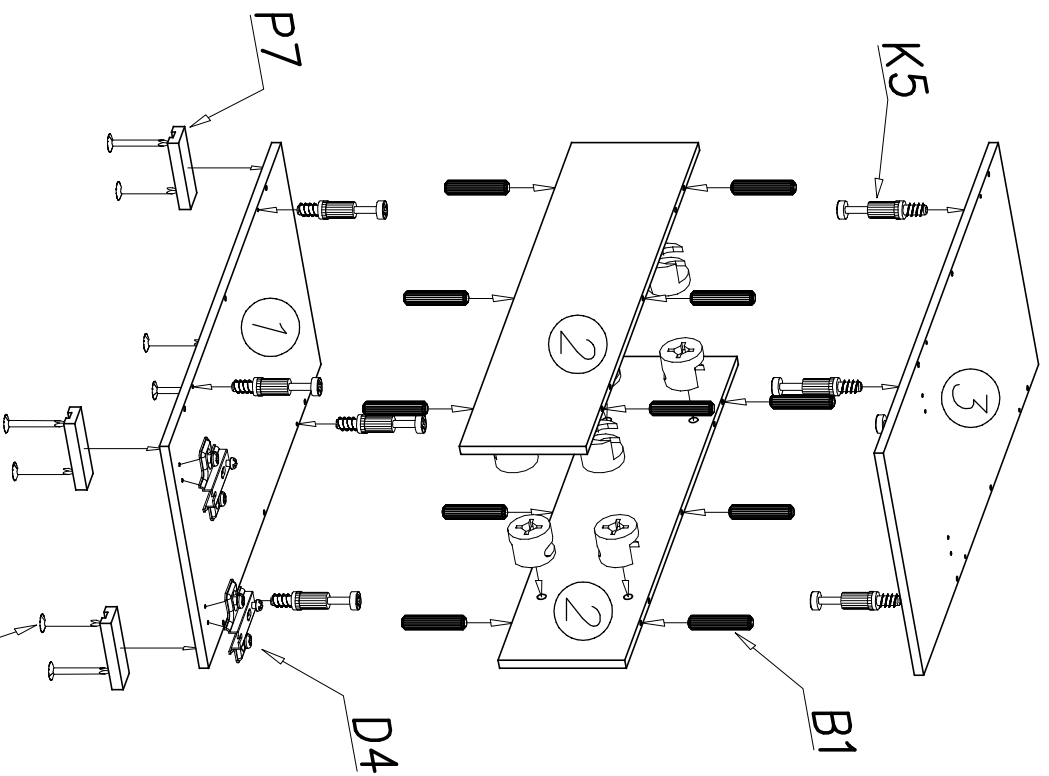
K5		x8
$\phi 15 \times 12$		x8
A1		x8
$\phi 7 \times 50$		x8
B1		x32
$\phi 8 \times 30$		x32



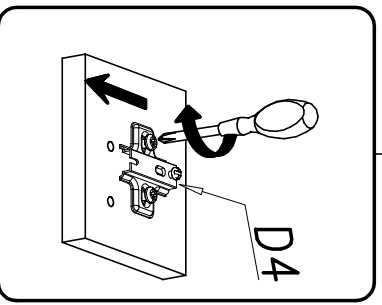
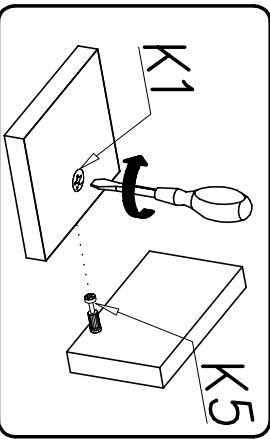
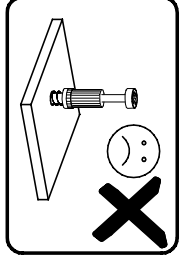
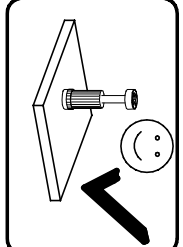
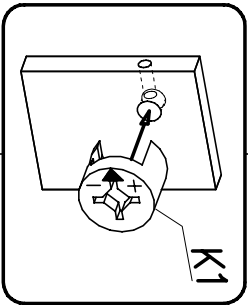
G4		x4	F2		x12
S5		x1	C3		x2
G16		x1	E35		x1
4x16		x1			
4x27		x1			



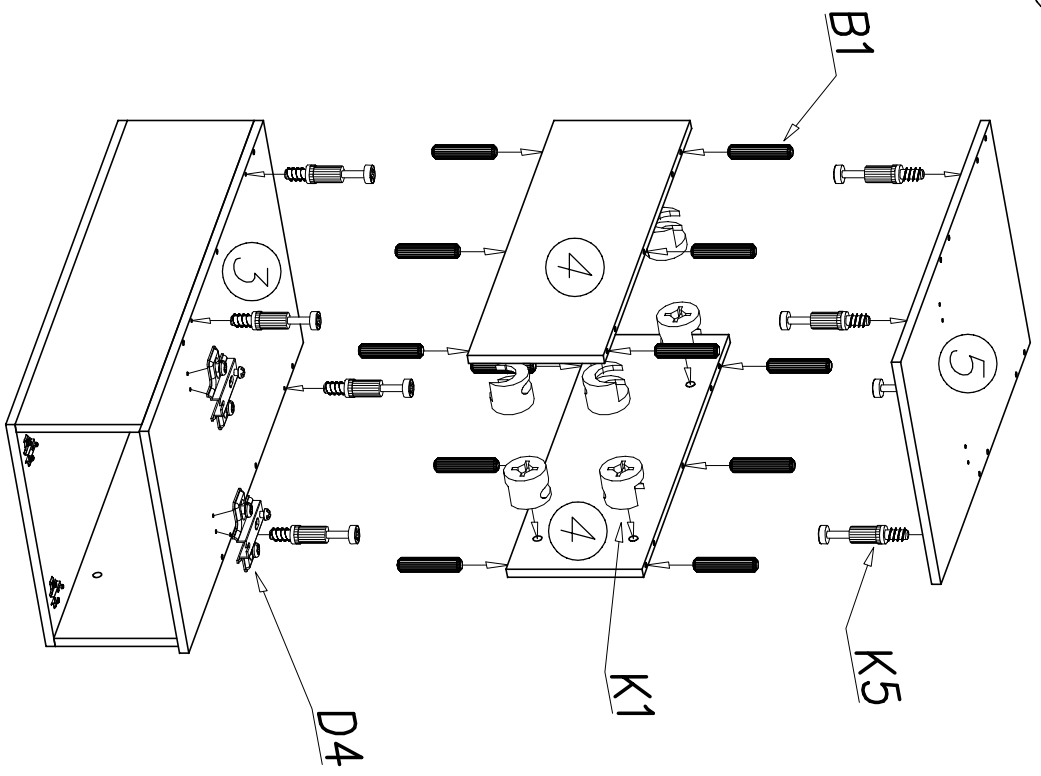
15



B1	Ø8x30	P7	K1	K5
x12	x12	x4	Ø15x12	x8
D4		W4		
x2		x8		

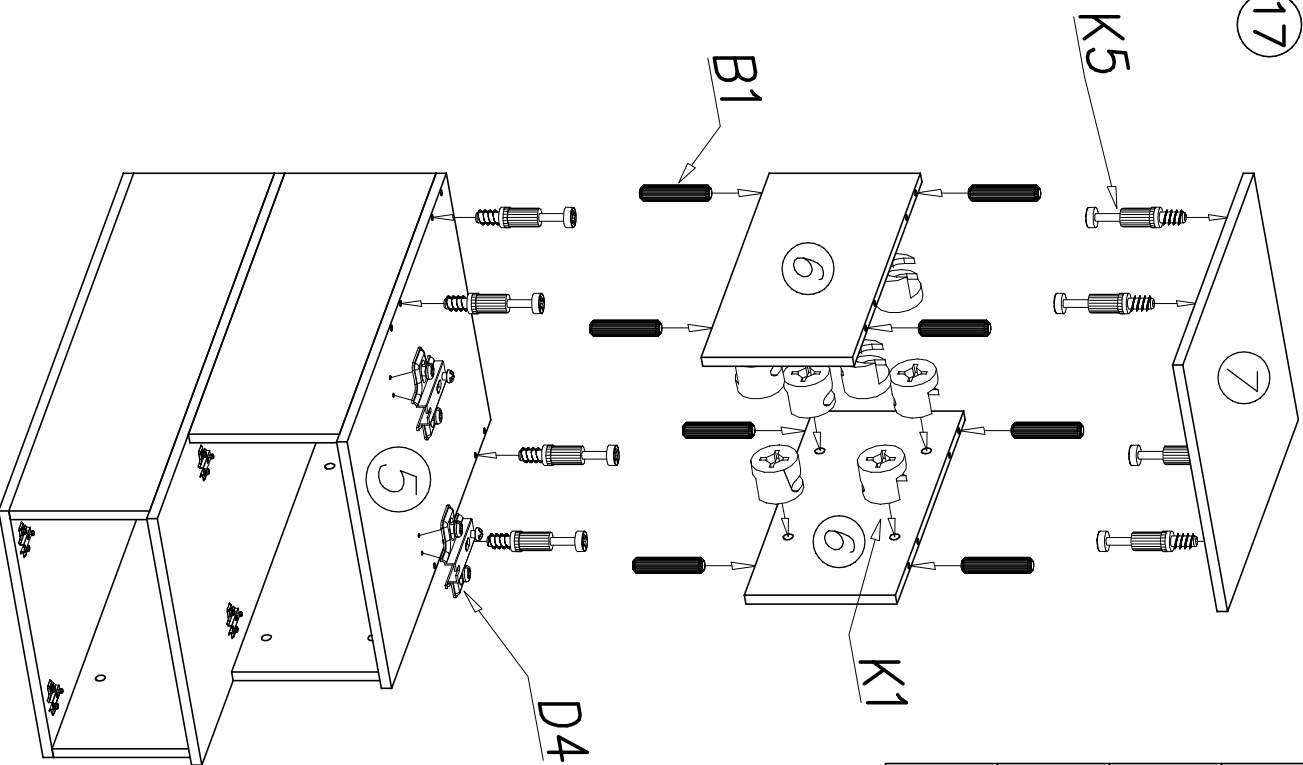


16



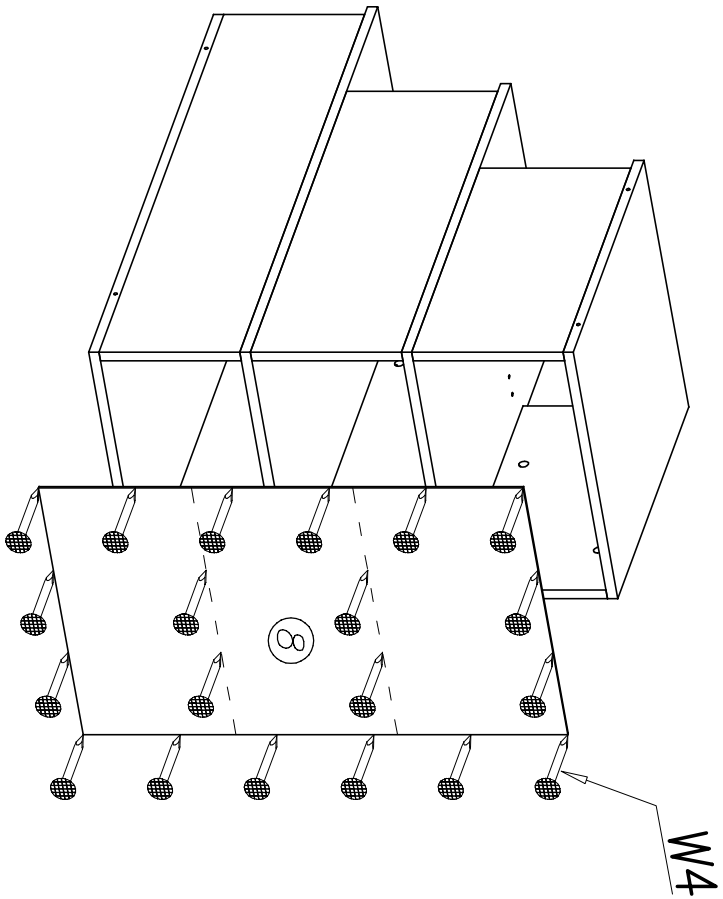
D4	B1	K1	K5
x2	Ø8x30	Ø15x12	x8
	x12		

17

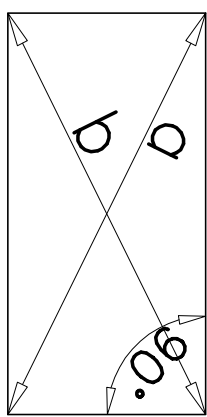


D4		x2
B1		x8
K1		x8
K5		x8

18

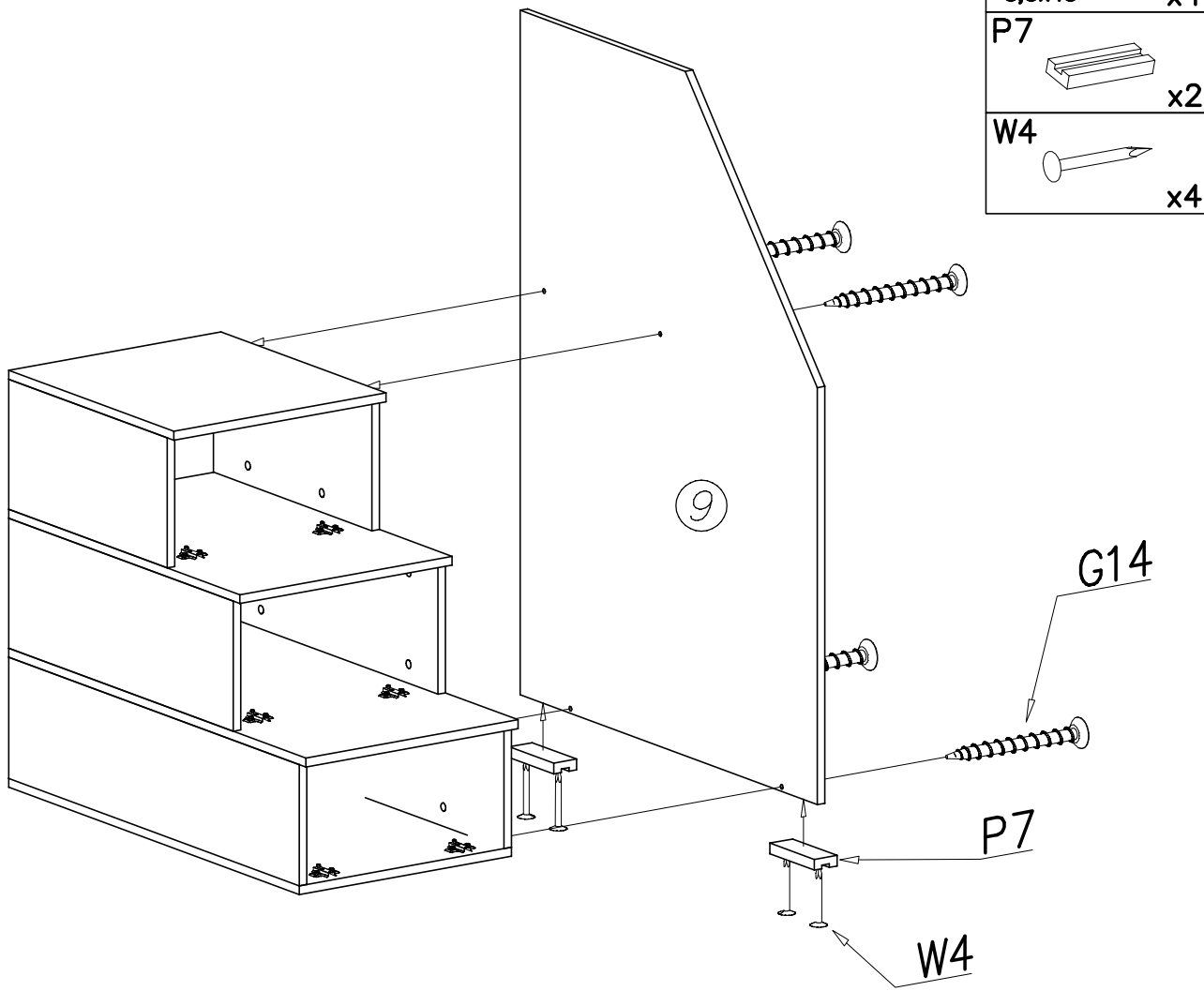


W4		x20
----	--	-----



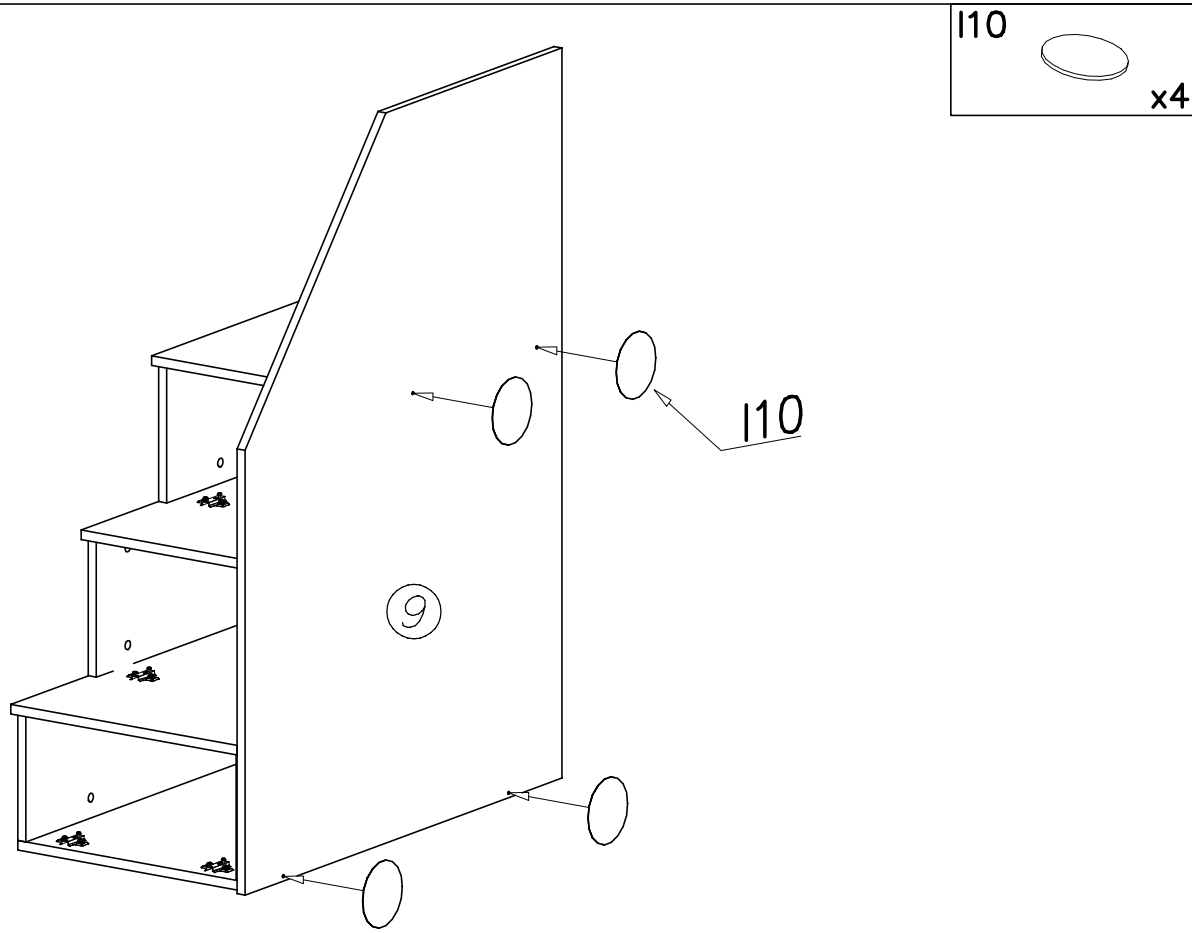
$a = b$

19

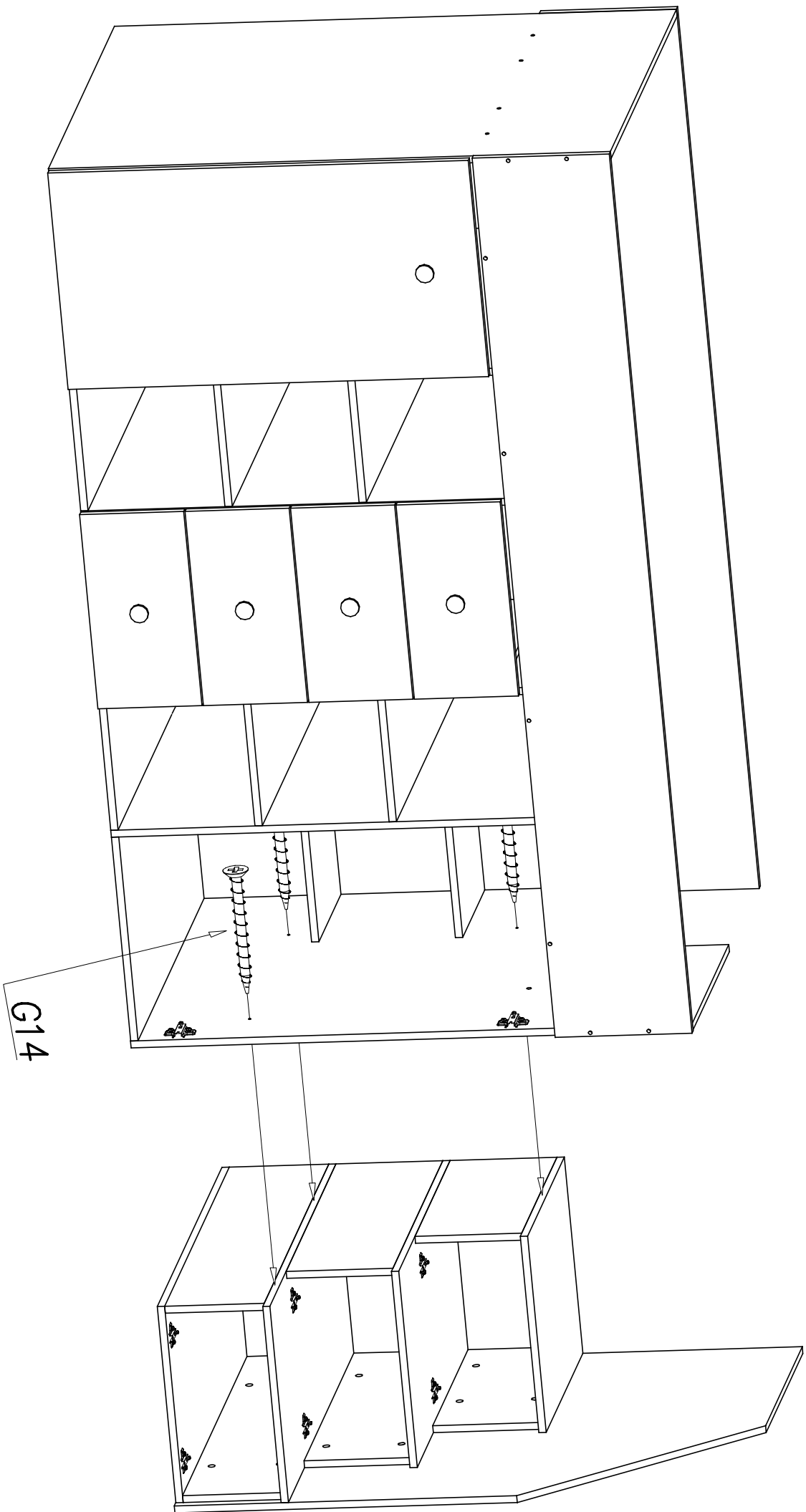


- G14 3,5x45 x4
- P7 x2
- W4 x4

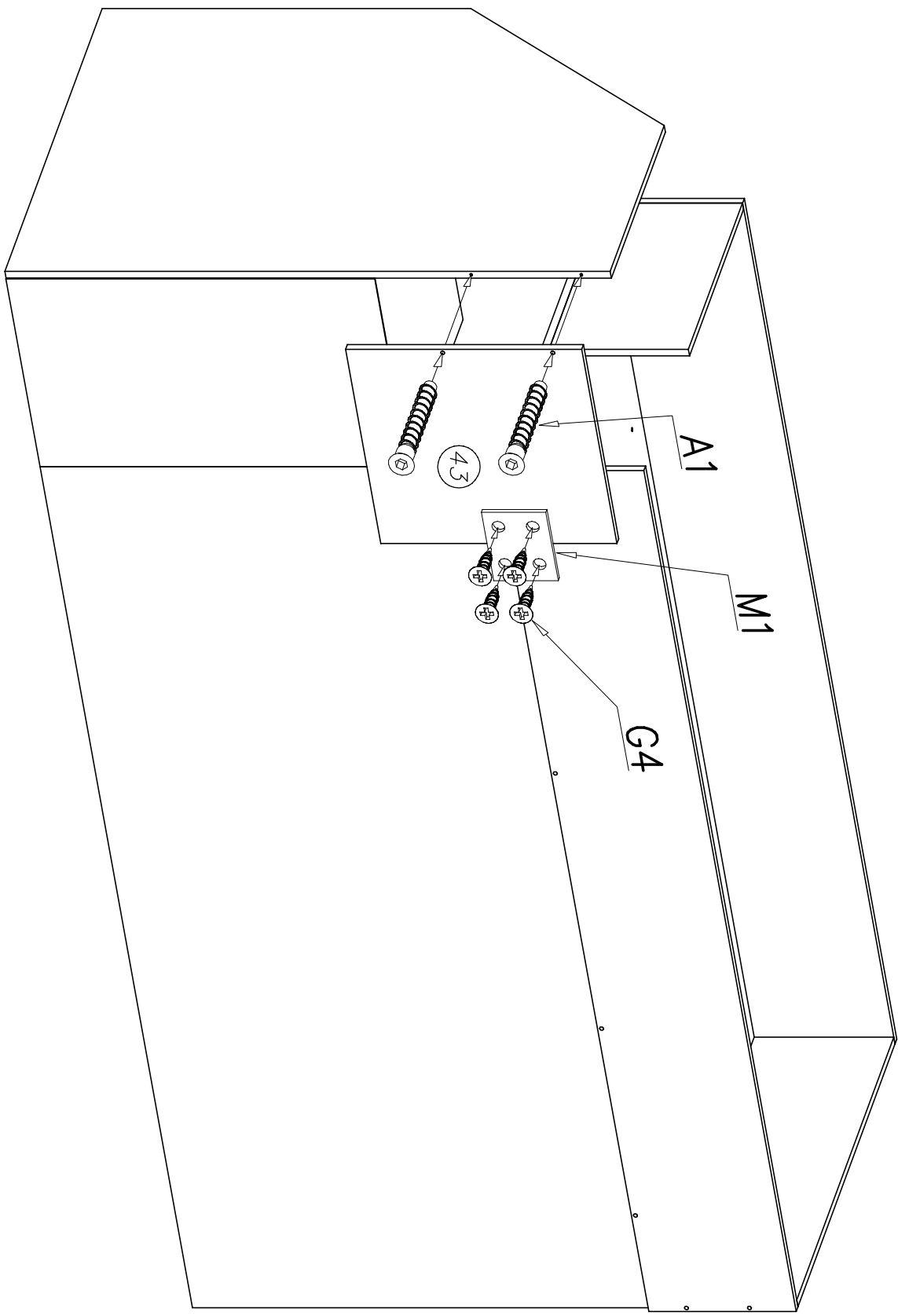
20

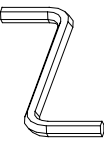
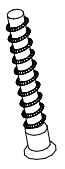
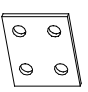



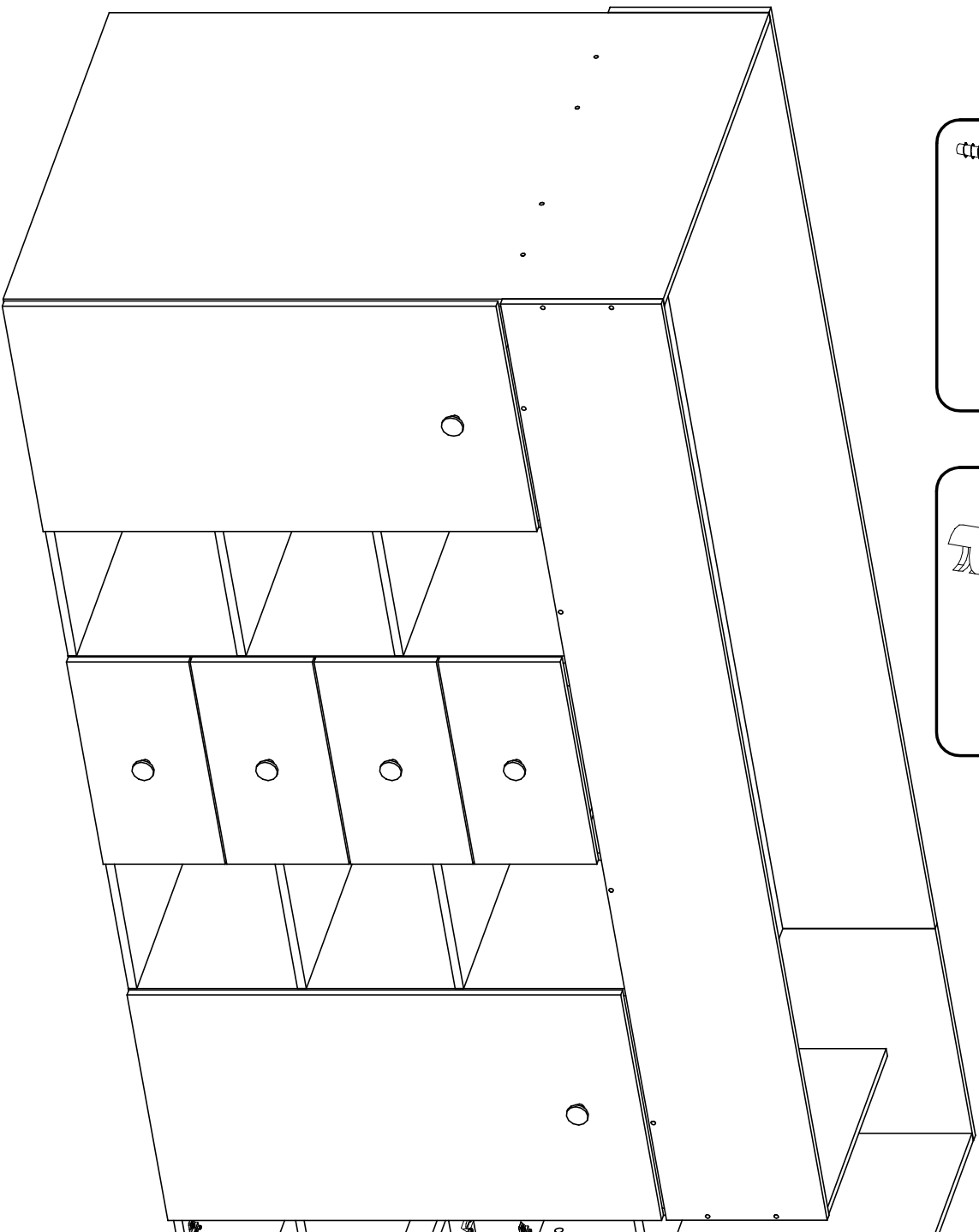
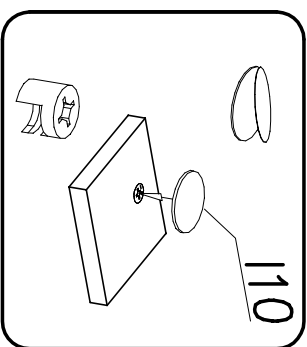
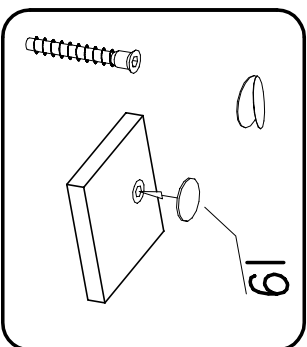
- I10 x4



G14
3,5x45
X3



W2 4mm		X1	A1 ø7x50		X2	M1		X1	G4 4x16		X4
-----------	---	----	-------------	---	----	----	---	----	------------	---	----

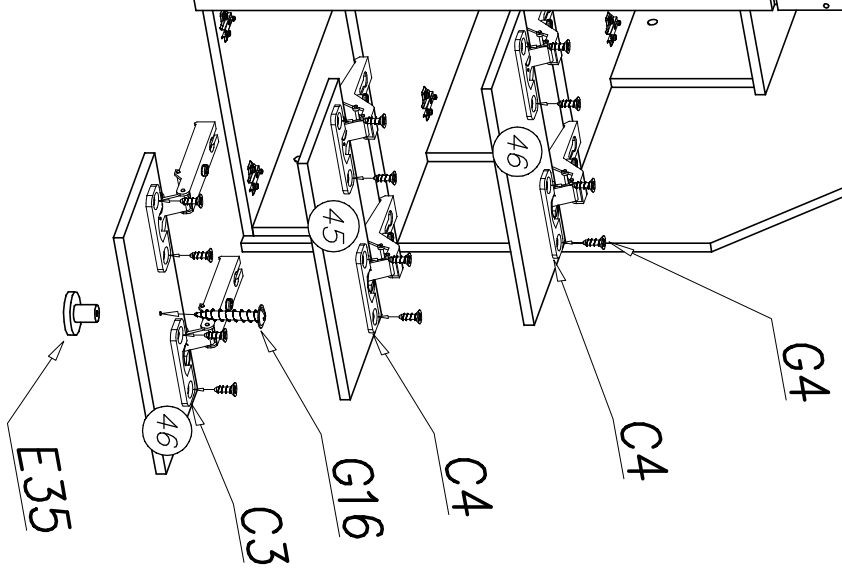


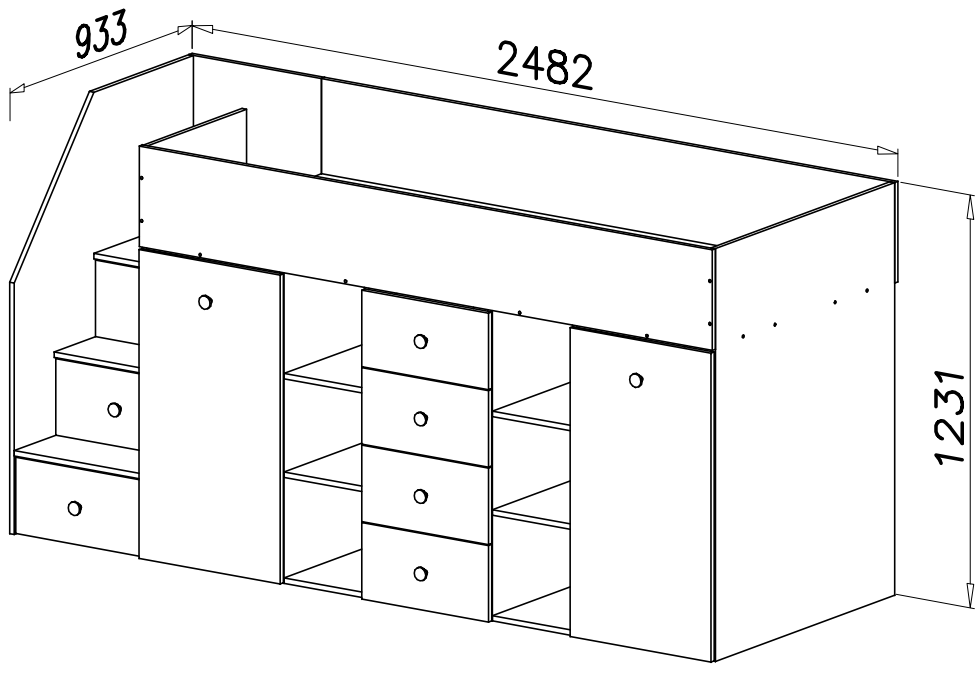
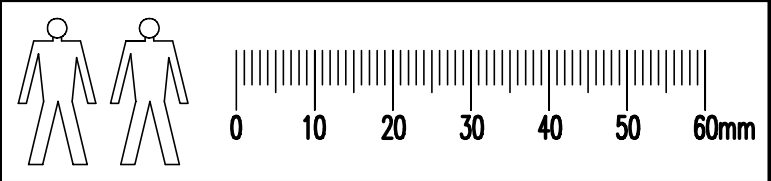
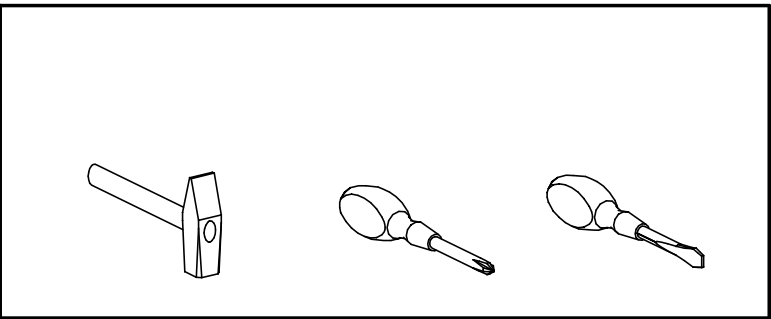
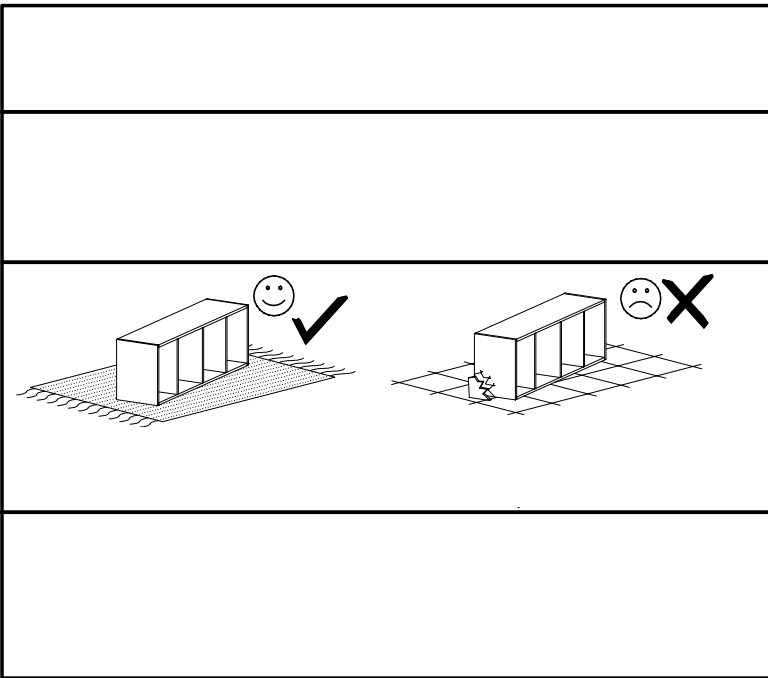
G16		x3
4x27		

E35		x3
110		x94

C4		x4
Z350D		
C3		x2
Z35PR		

G4		x12
4x16		
19		x12
		40x





I9		40x
I10		x98
G2		3x20 x24
C4		Z350D x4
M1		x1
G14		3,5x45 x7

W4		x156
----	--	------

P24		x6
-----	--	----

B1		ø8x30 x166
----	--	------------

H9		500mm x4
----	--	----------

G20		5x13 x24
-----	--	----------

W2		4mm x1
----	--	--------

K5		x94
----	--	-----

K1		ø15x12 x94
----	--	------------

H9		500mm x4
----	--	----------

F2		x12
----	--	-----

A1		ø7x50 x40
----	--	-----------

G4		4x16 x32
----	--	----------

G6		3x12 x2
----	--	---------

S4		x2
----	--	----

C3		Z35PR x4
----	--	----------

P7		x18
----	--	-----

G16		4x27 x9
-----	--	---------



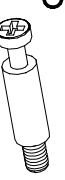
E35		x9
-----	--	----

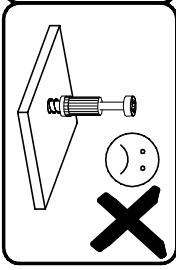
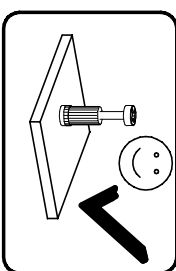
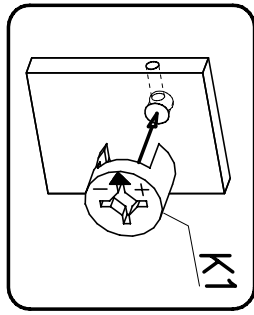
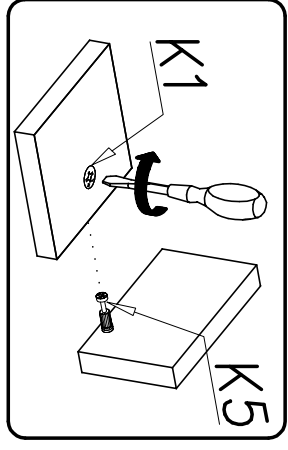
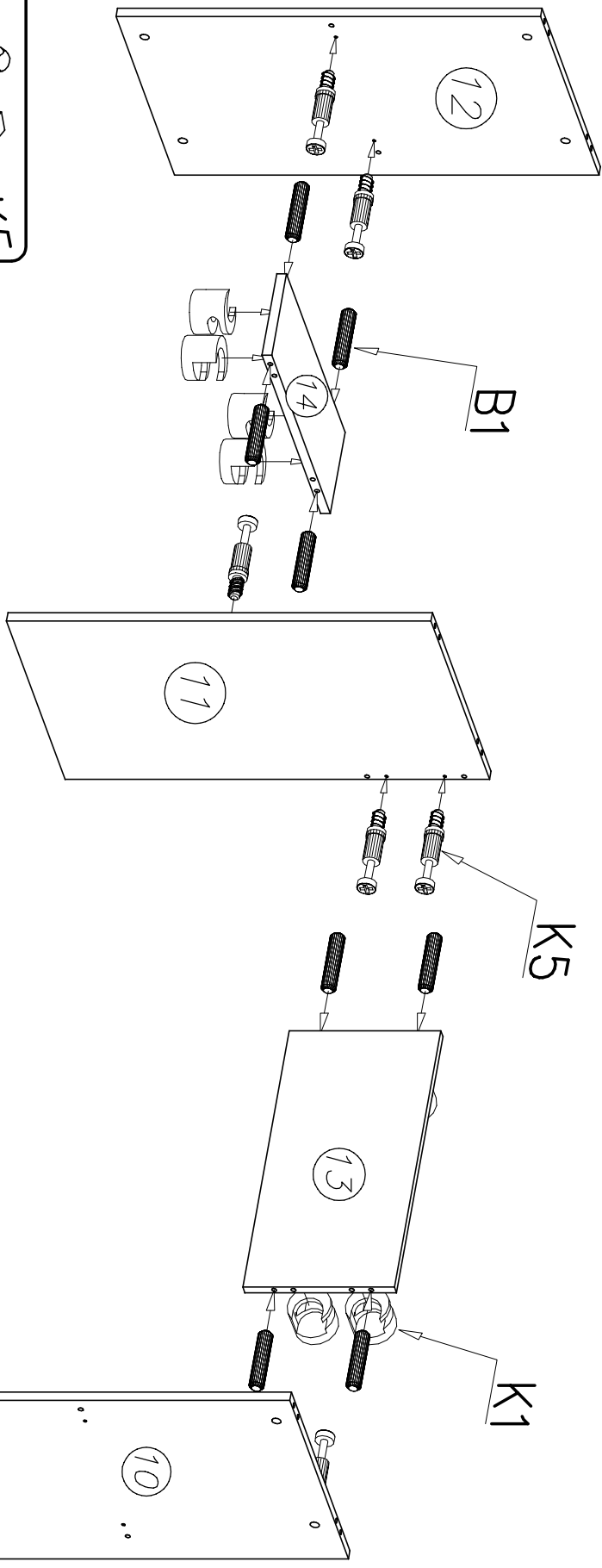
S5		x1
----	--	----

D4		x8
----	--	----


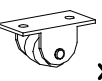
1	880	450	16	1	4/7
2	880	218	16	2	4/7
3	900	450	16	1	4/7
4	680	234	16	2	4/7
5	700	450	16	1	4/7
6	480	234	16	2	4/7
7	500	450	16	1	4/7
8	743	446	3	1	5/7
9	1231	900	16	1	2/7
10	700	440	16	1	1/7
11	700	440	16	1	1/7
12	700	440	16	1	1/7
13	498	250	16	1	1/7
14	158	440	16	1	1/7
15	880	450	16	1	1/7
16	190	440	16	1	1/7
17	190	440	16	1	1/7
18	921	496	16	1	6/7
19	174	440	16	1	1/7
20	931	900	16	1	3/7
21	931	900	16	1	3/7
22	281	900	16	4	2/7

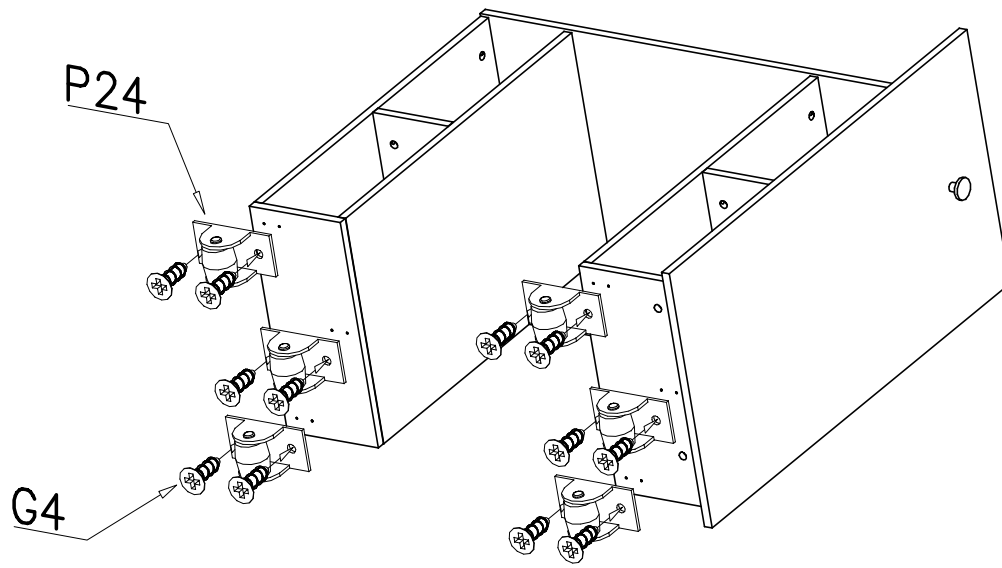
23	931	900	16	1	3/7
24	931	900	16	1	3/7
25	281	70	16	2	2/7
26	418	130	16	2	2/7
27	467	300	16	1	4/7
28	467	300	16	1	4/7
29	467	900	16	1	2/7
30	931	900	16	1	3/7
31	2000	900	16	1	5/7
32	2014	930	16	1	5/7
33	1231	900	16	1	2/7
34	500	283	16	1	1/7
35	2017	300	16	1	5/7
36	2017	300	16	1	5/7
37	445	228	16	4	7/7
38	500	180	16	4	5/7
39	500	180	16	4	5/7
40	361	180	16	4	1/7
41	392	505	3	4	5/7
42	921	496	16	1	6/7
43	446	480	16	1	1/7
44	281	900	16	2	2/7
45	445	228	16	1	7/7
46	445	228	16	2	7/7

B1		x8	K1		x8	K5		x8
	∅8x30			∅15x12				

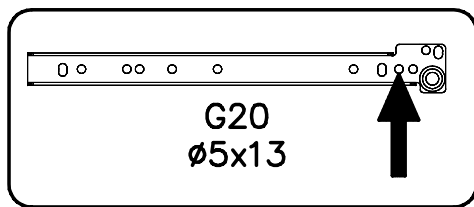




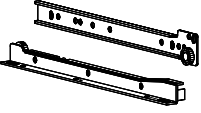

4

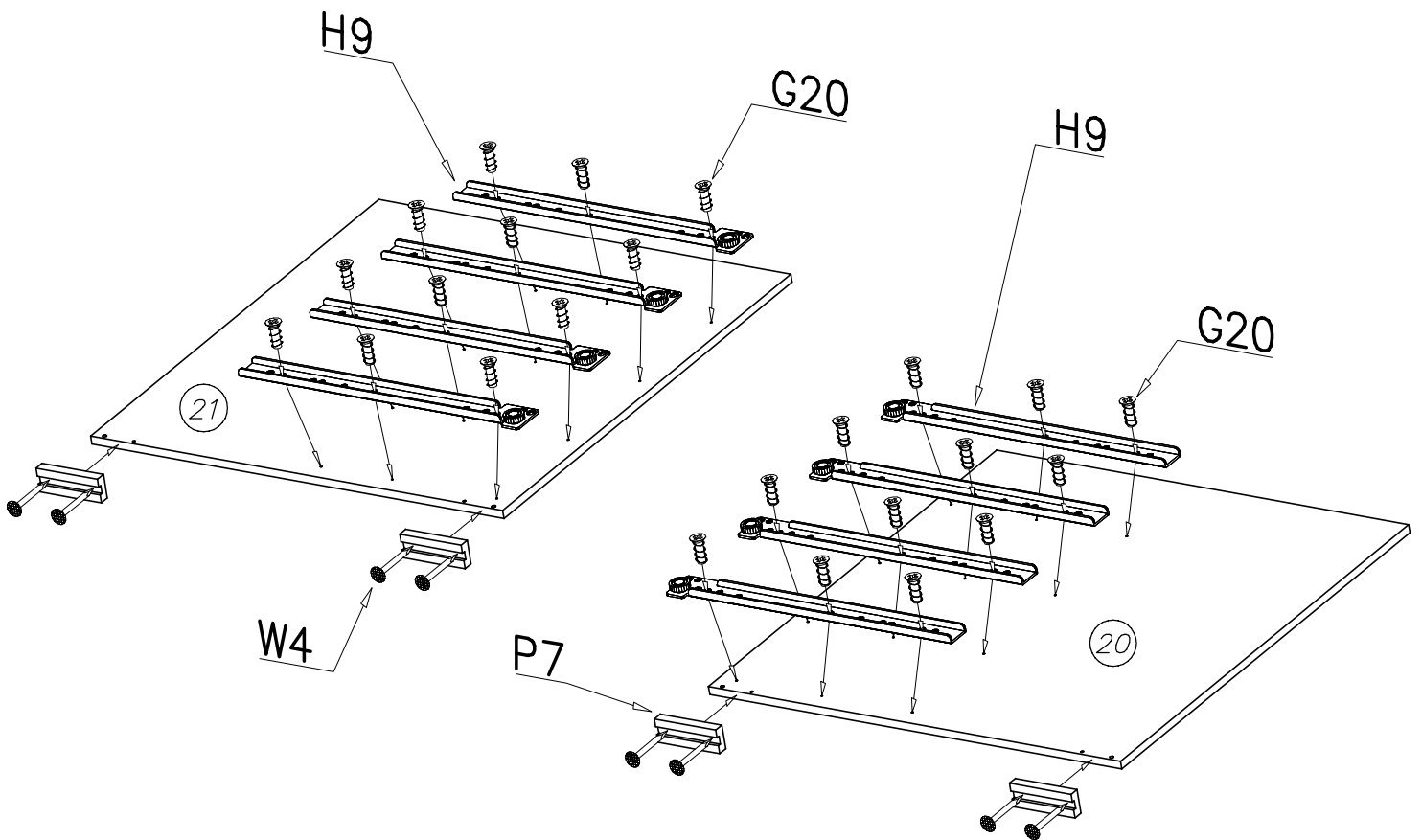
G4		P24	
4x16	x12		x6





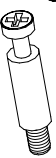


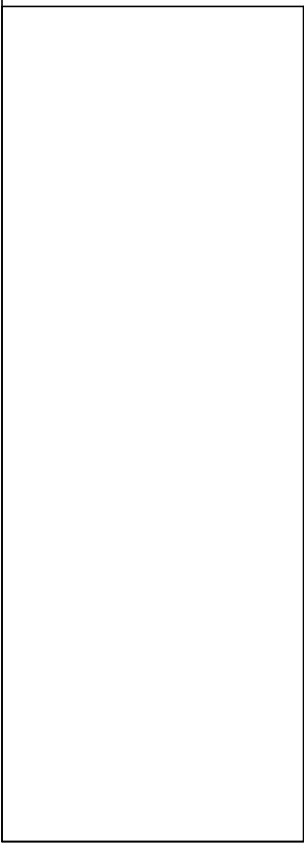
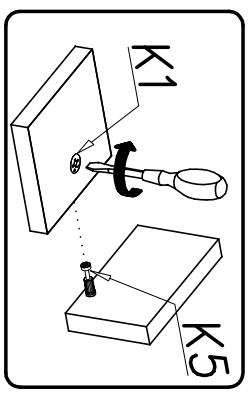
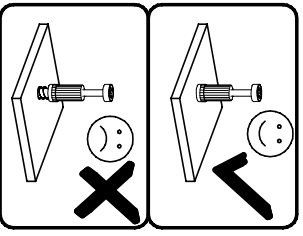
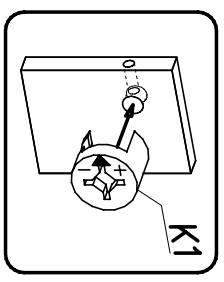
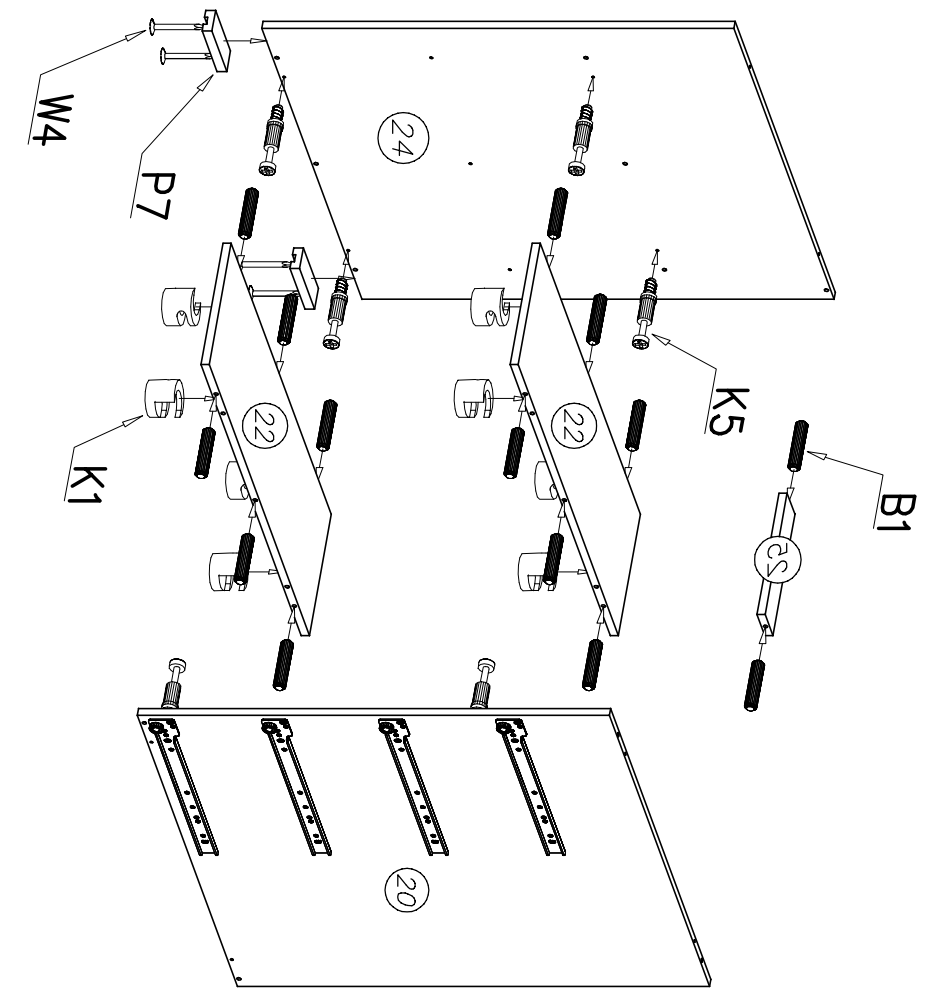
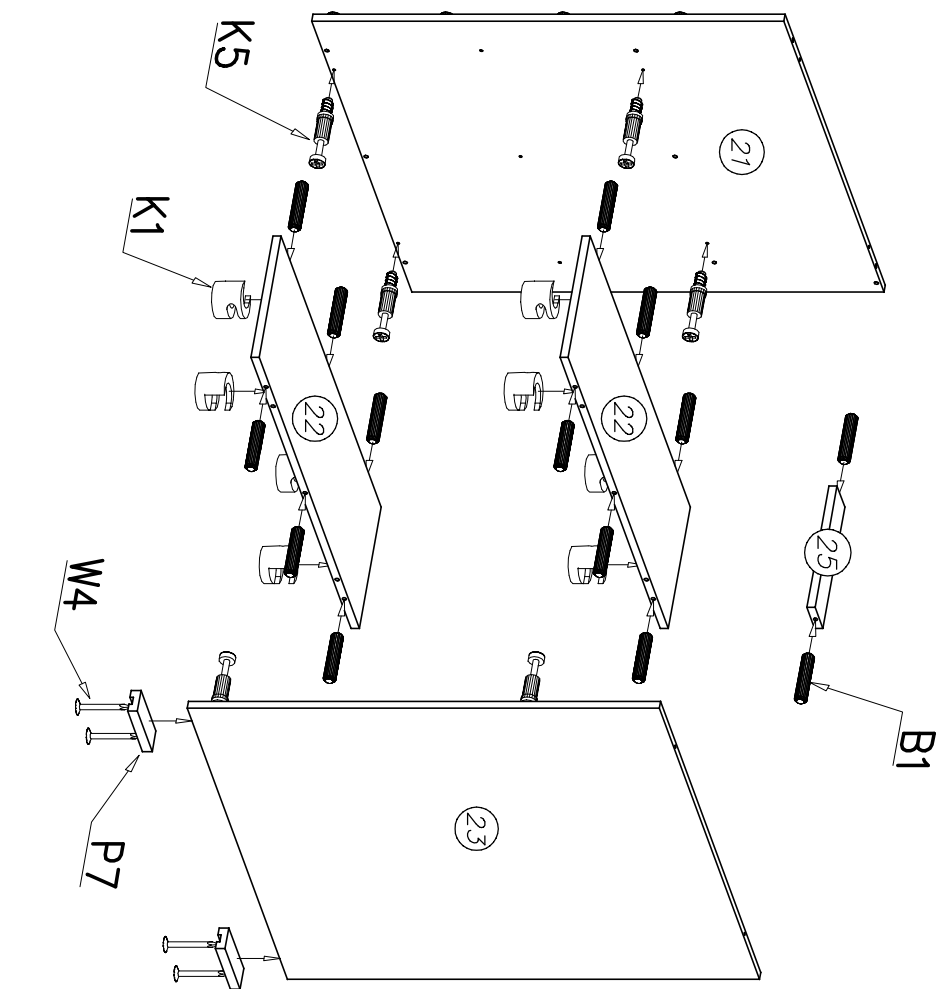
5







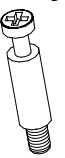


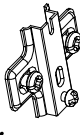
W4		G20		H9	
	x8	5x13	x24		500mm
		P7			x4

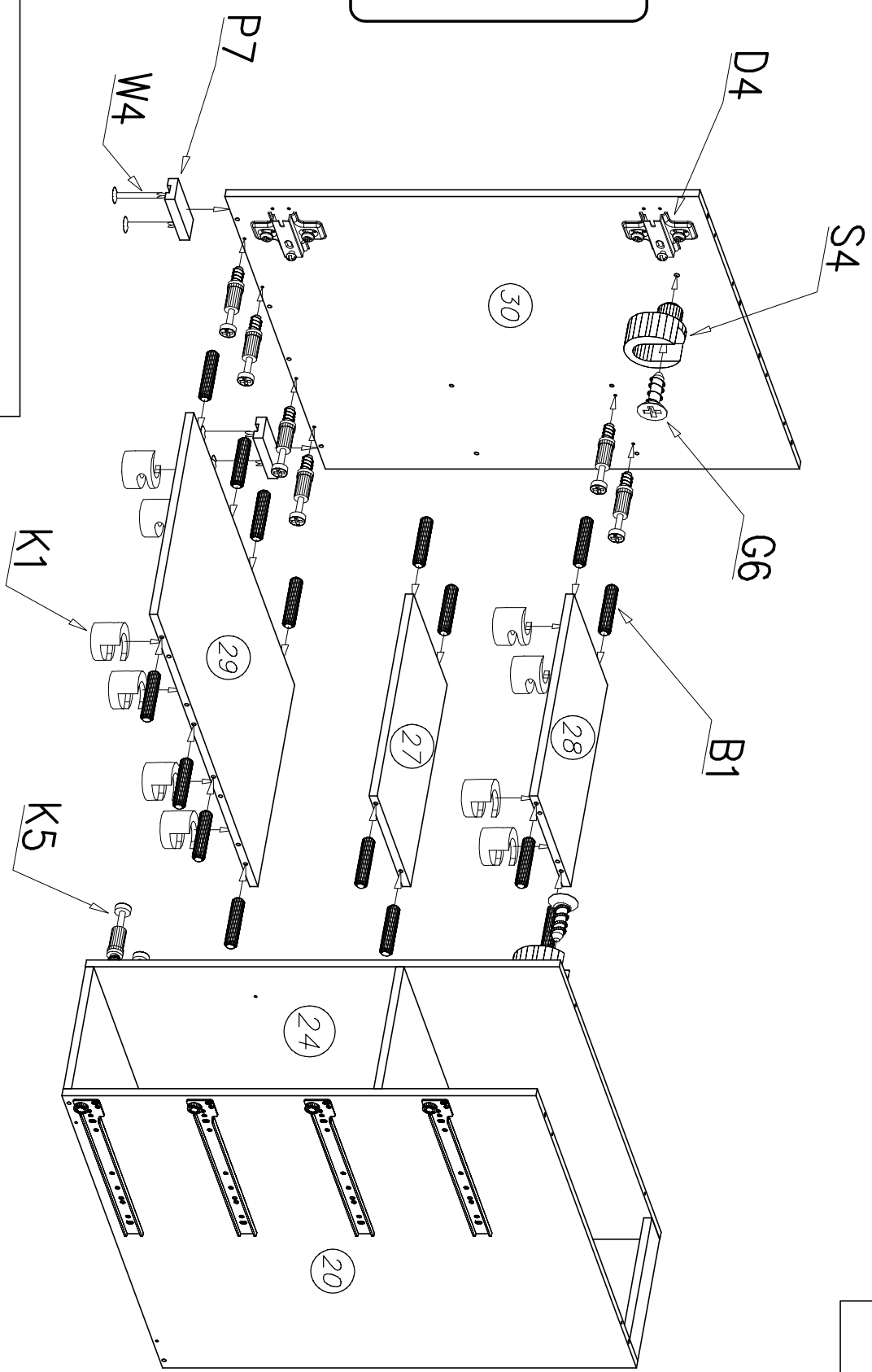
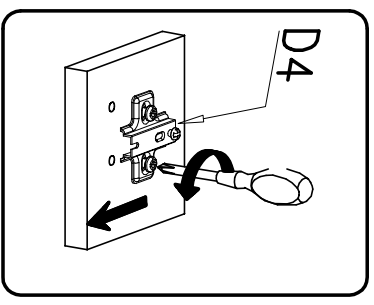


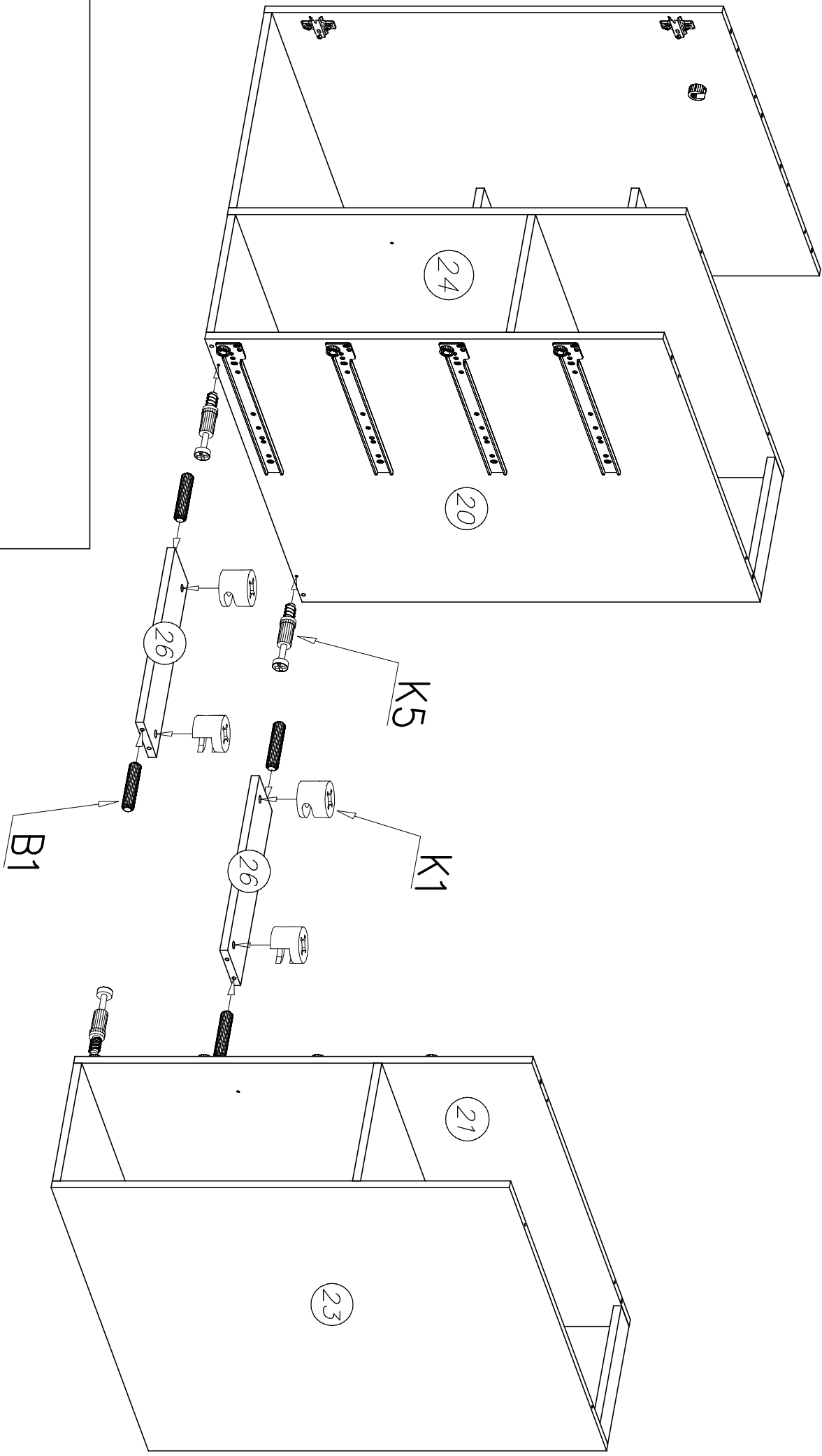
W4	P7	B1	K1	K5
				
x8	x4	ø8x30 x28	ø15x12 x16	x16






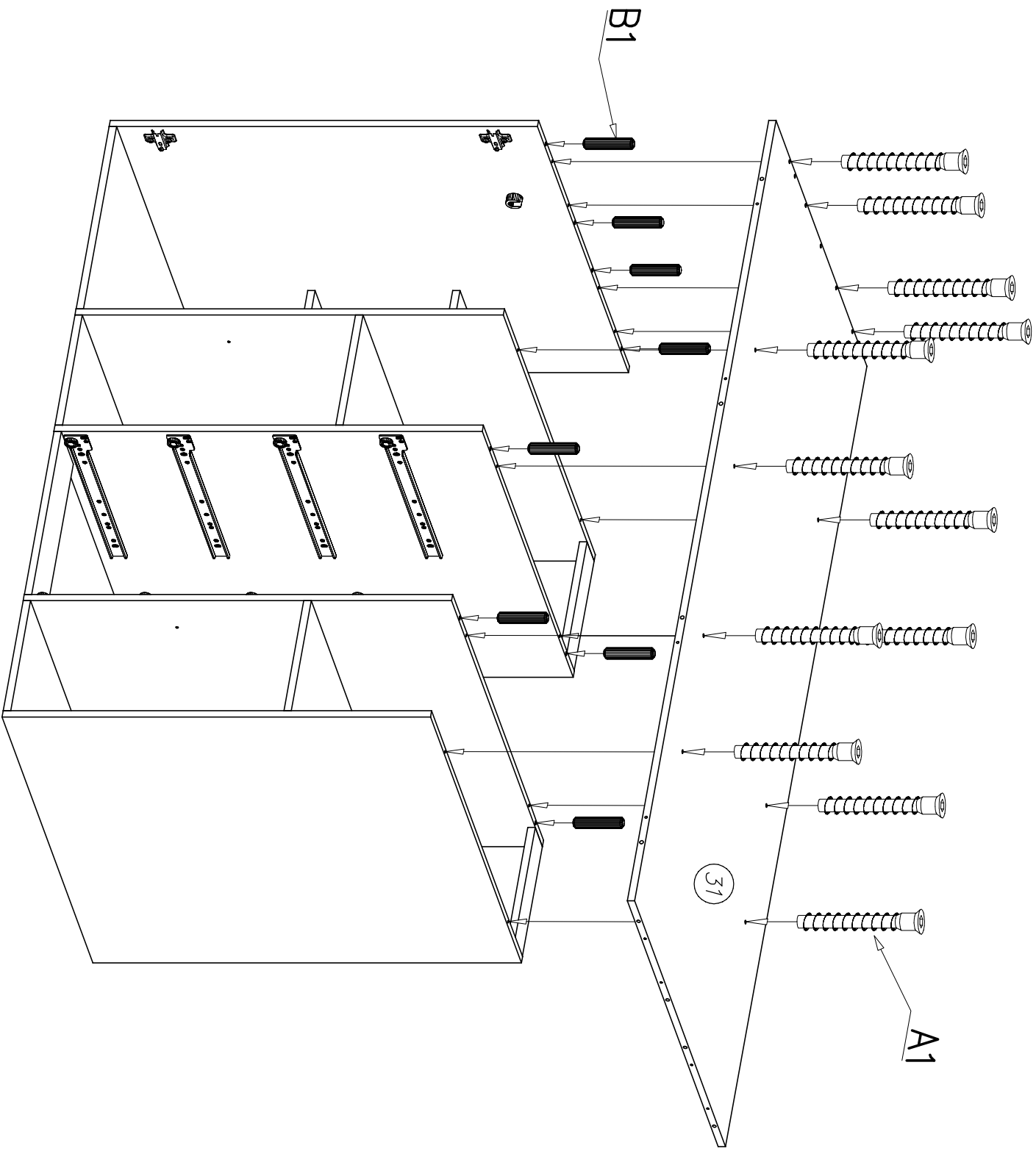
G6		S4		W4		P7		B1		K1		K5	
3x12	x2	x2	x2	x4	x2	ø8x30	x16	ø15x12	x12	D4	x2		




D4		x2
----	---	----





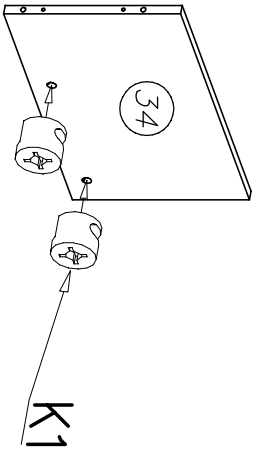
B1		K1		K5	
ø8x30	X4	ø15x12	X4	X4	X4



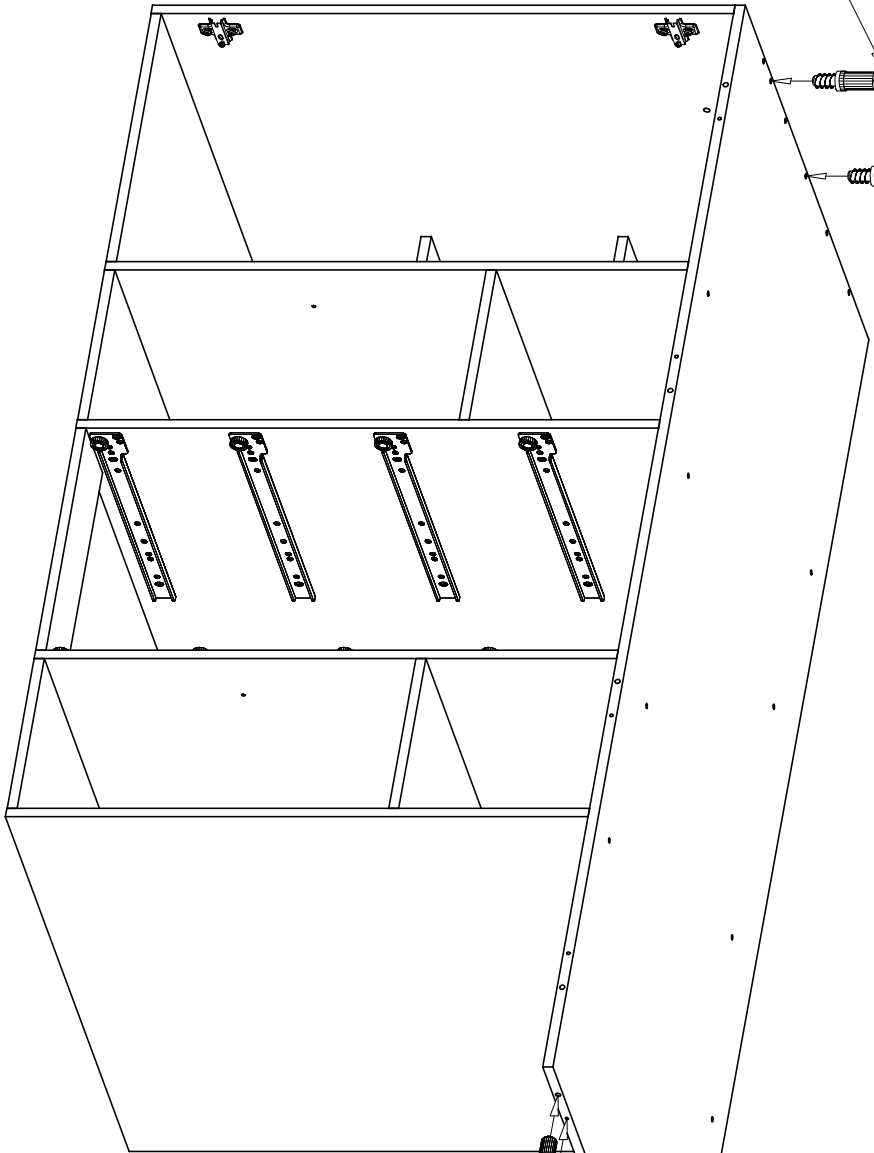
W2		x1
4mm		
A1		x12
ø7x50		
B1		x8
ø8x30		



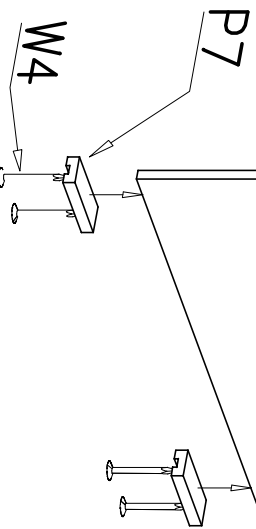
10



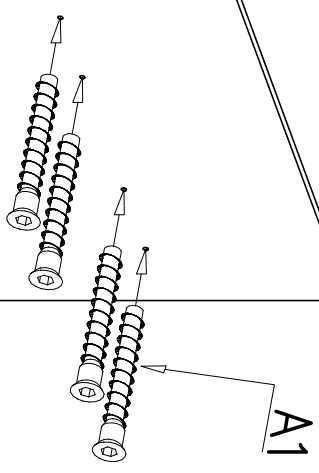
K5



W4		x4	P7		x2	B1		x4	K1		x2	K5		x2
W2		x1	A1		x4	B1		x4	K1		x2	K5		x2
4mm		x1	A1		x4	B1		x4	K1		x2	K5		x2

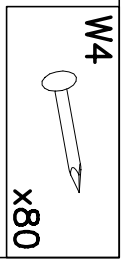
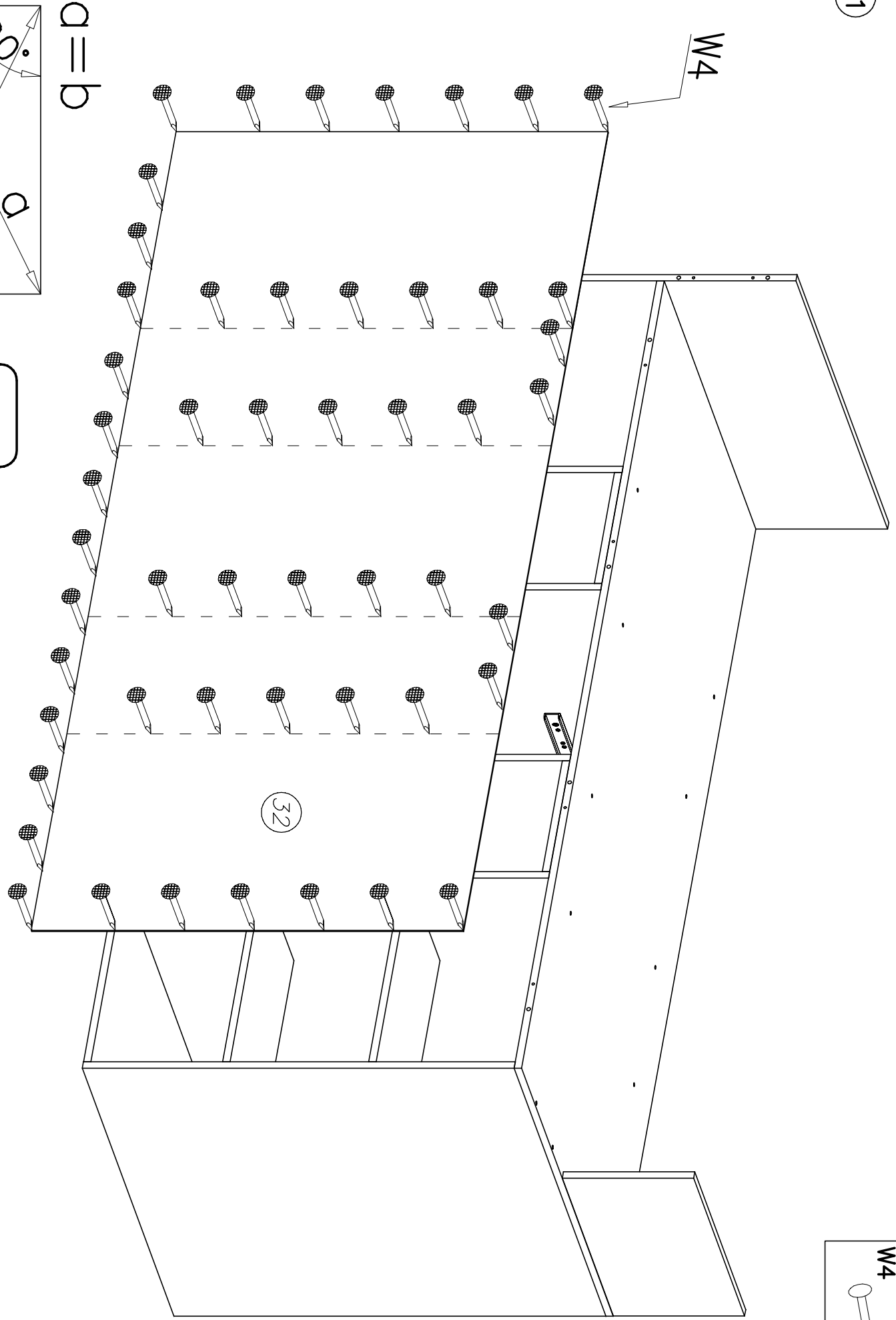
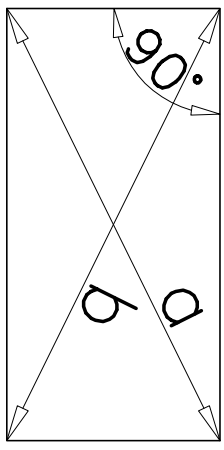


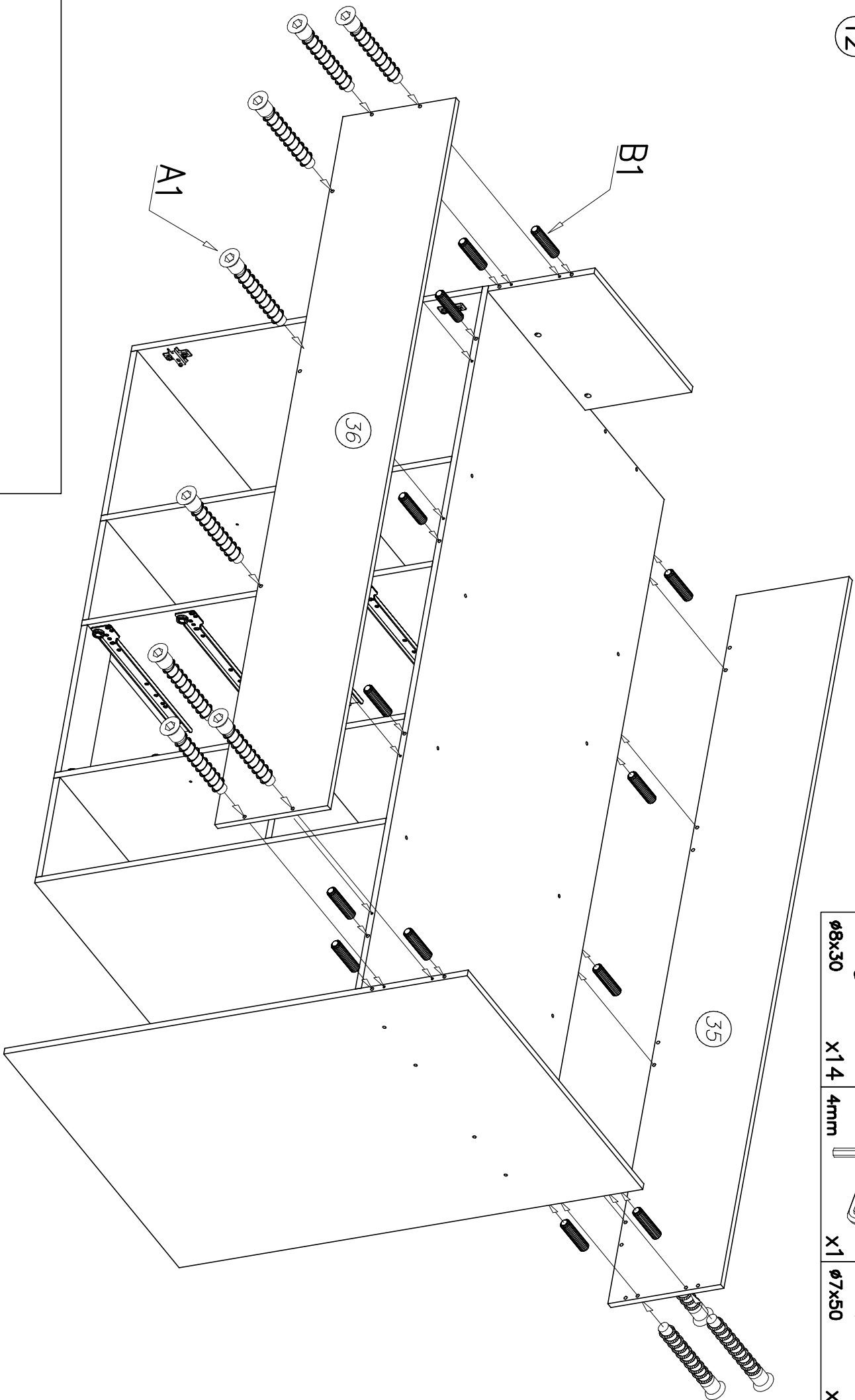
35

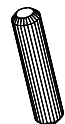




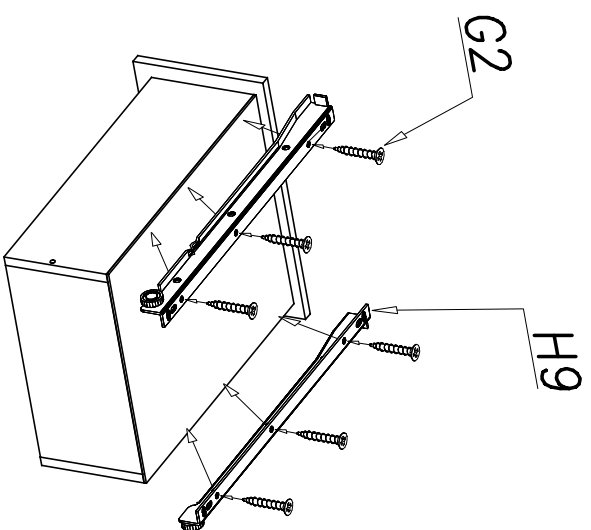
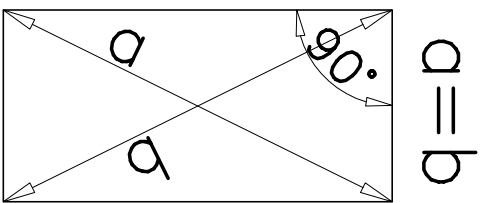
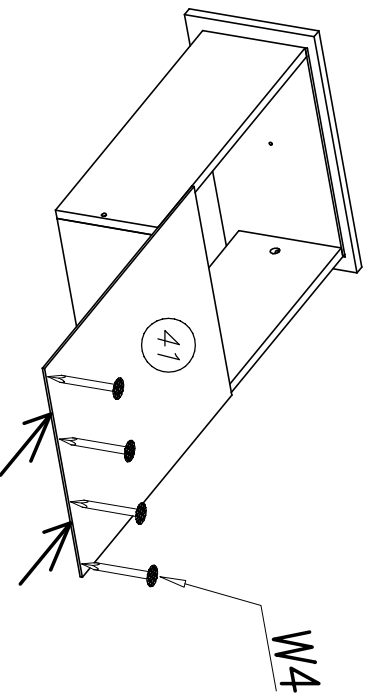
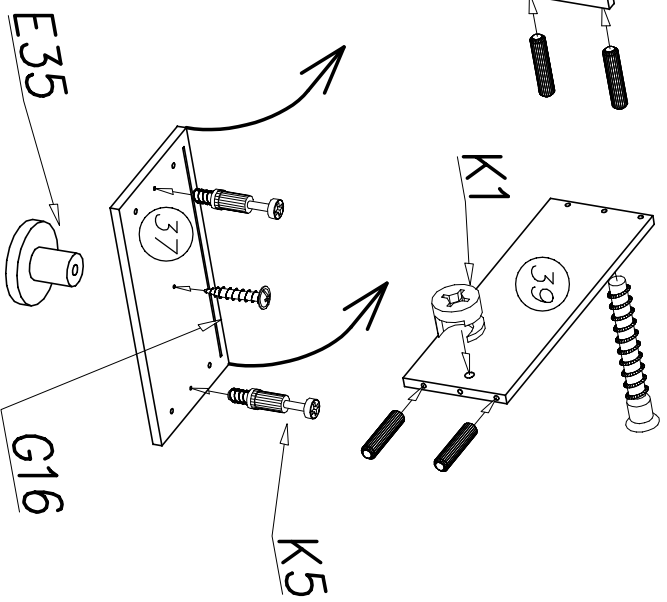
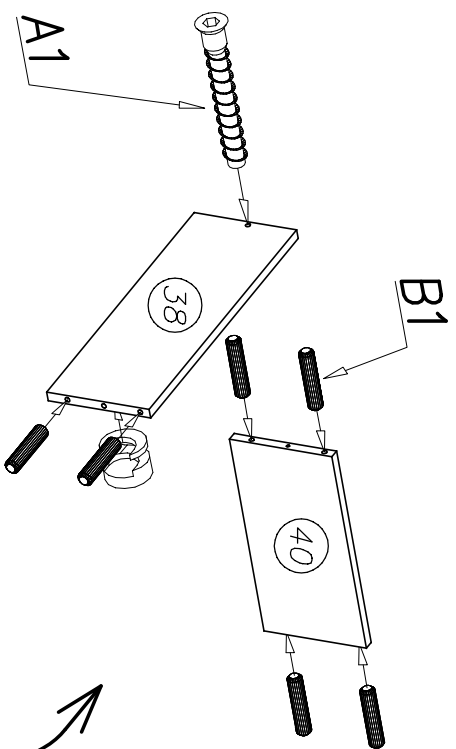
B1

A1





B1		W2		A1	
ø8x30	x14	4mm	x1	ø7x50	x14



W2		x1
4mm		

W4		x20
G2		x4
3x20		x24



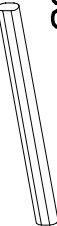



H9		x4
K1		x8
500mm		x4

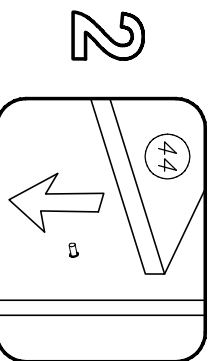
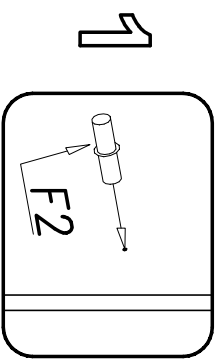
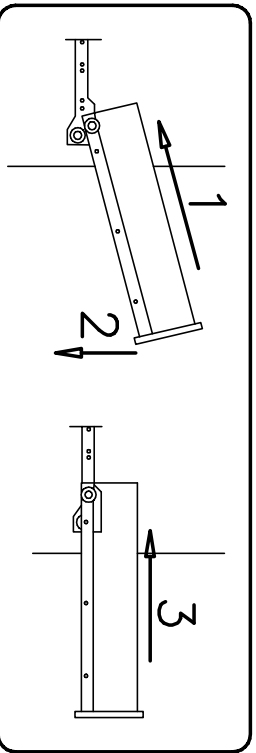
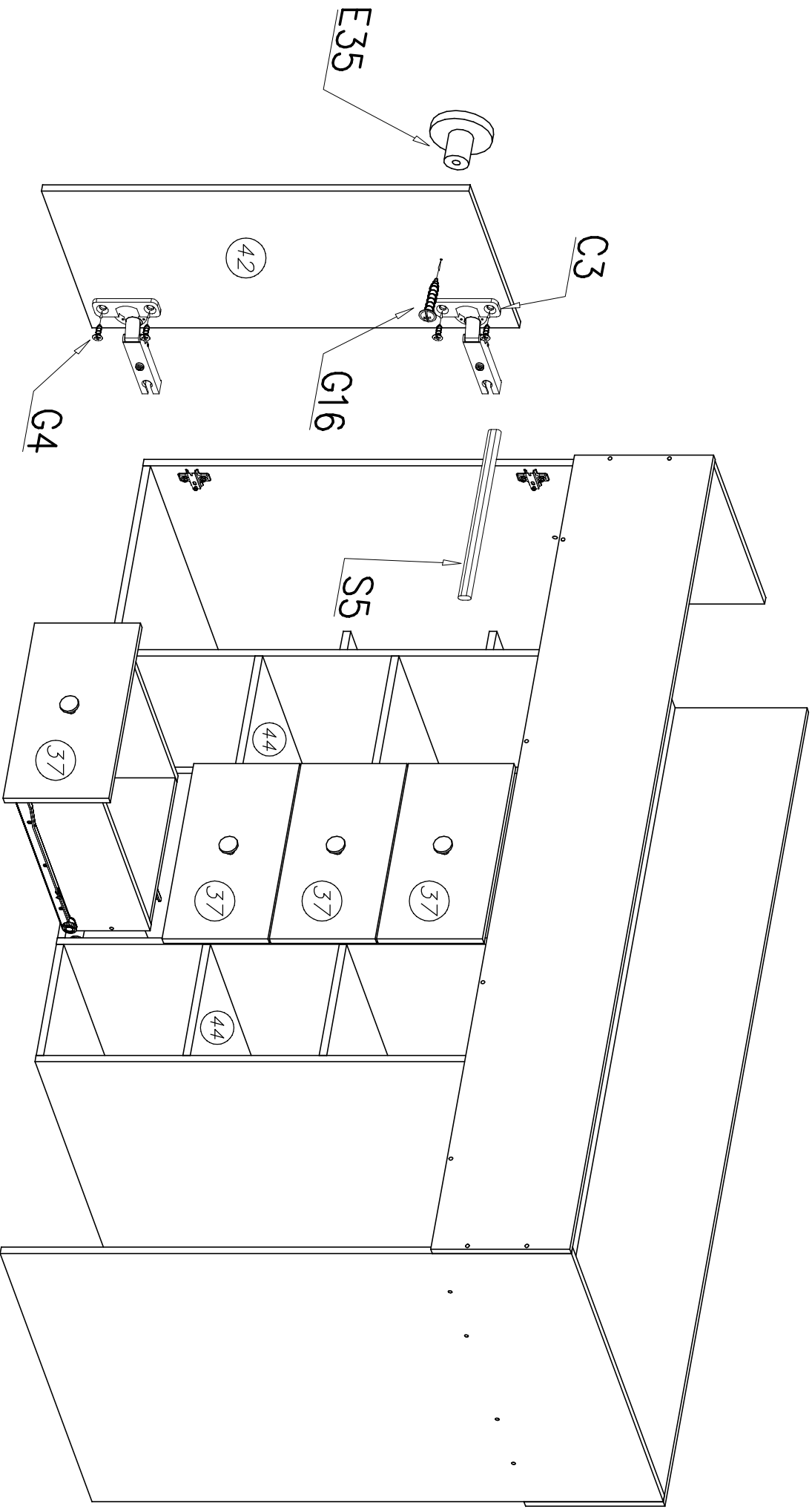
E35		x4
G16		x4
4x27		

A1		x8
K5		x8
ø15x12		

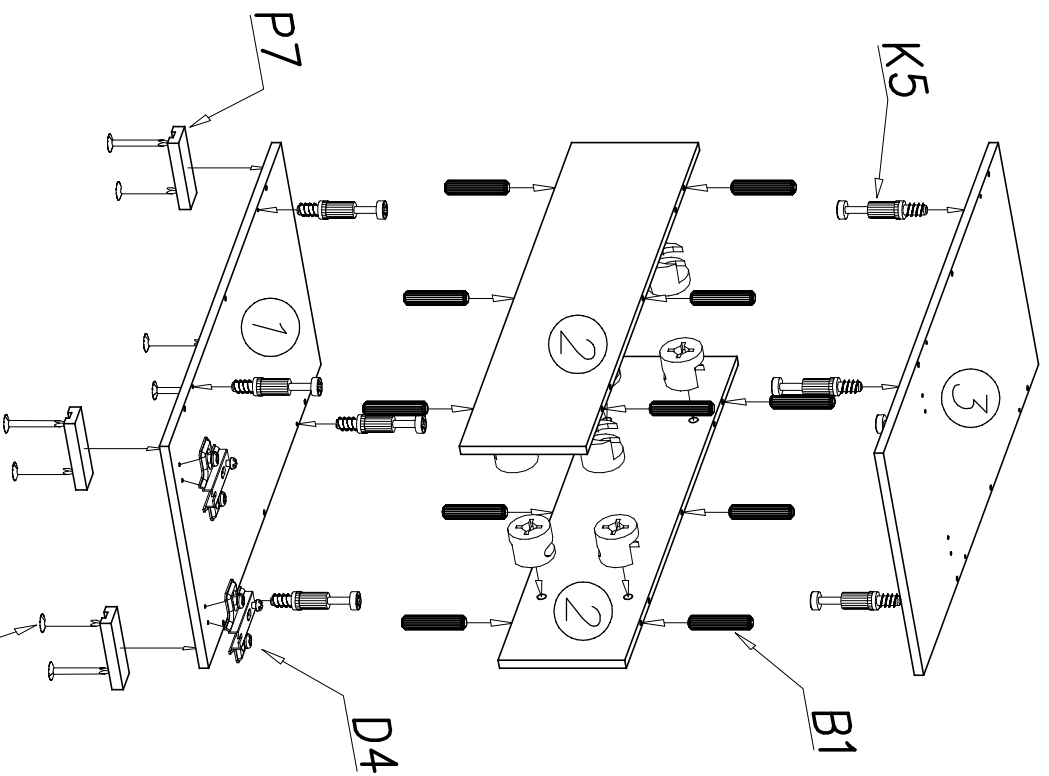
B1		x8
ø7x50		
B1		x32
ø8x30		

14

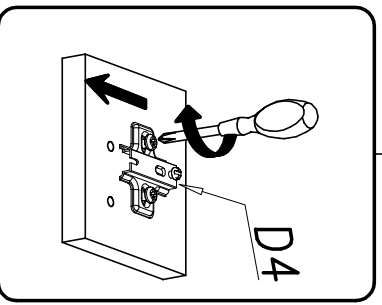
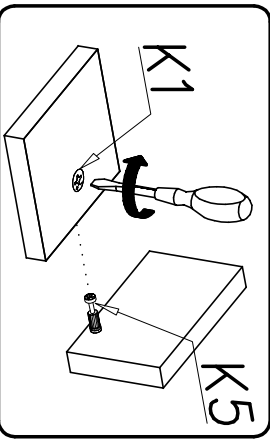
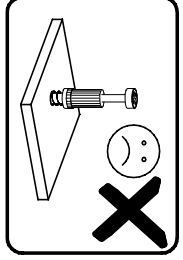
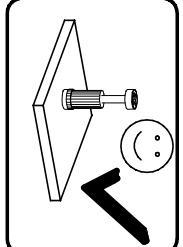
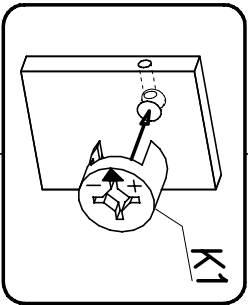
G16		E35		S5		C3		G4		F2	
4x27	x1	x1	x1	x1	x1	Z35PR	x2	4x16	x4	x12	x12



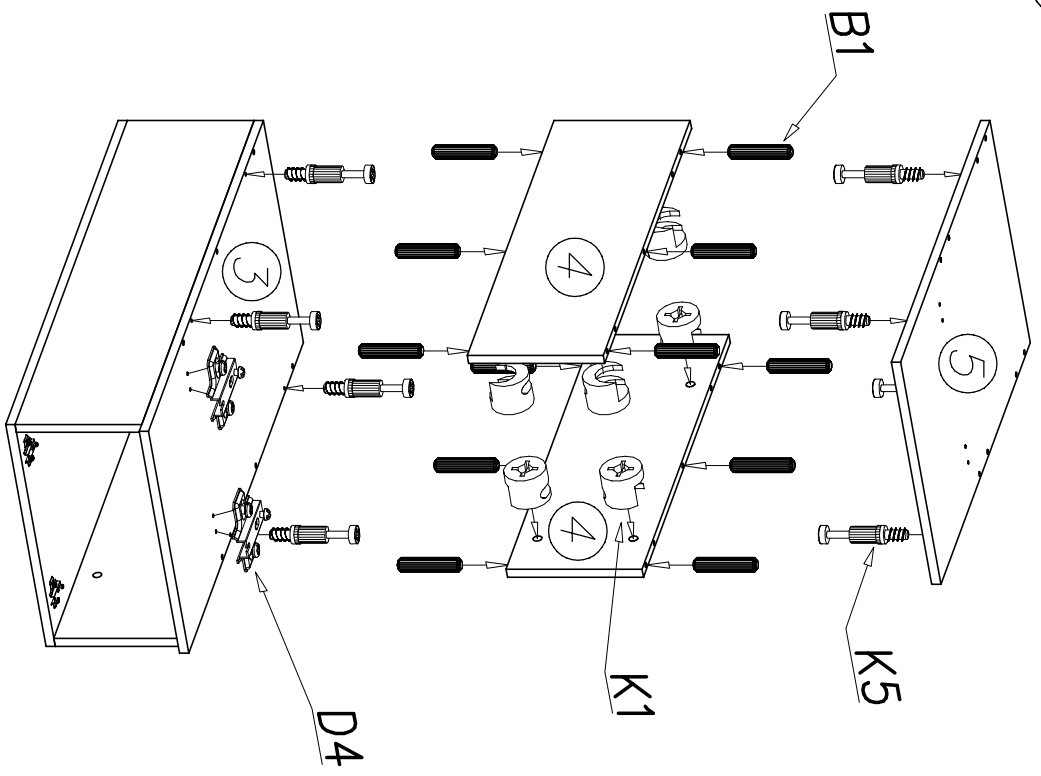
15



B1	P7	K1	K5
Ø8x30 x12	x4	Ø15x12 x8	x8
D4	W4		
x2	x8		

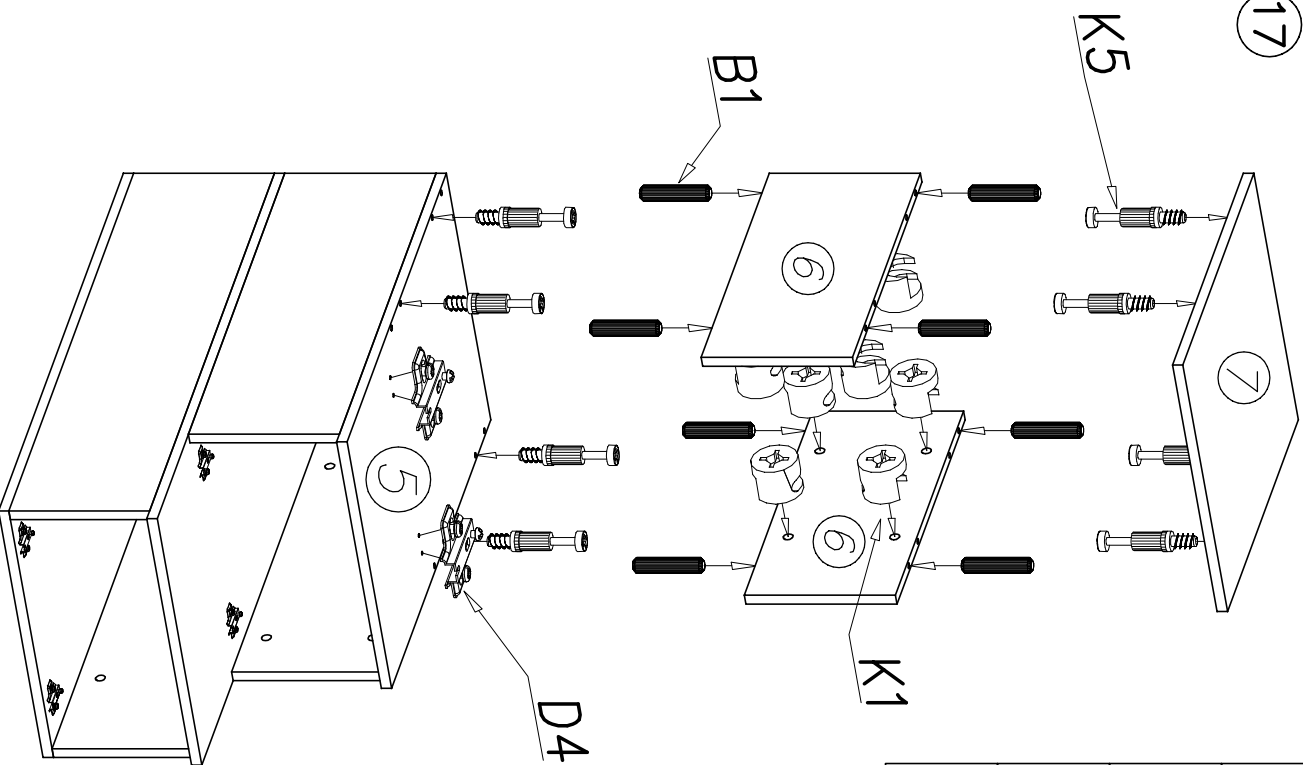


16



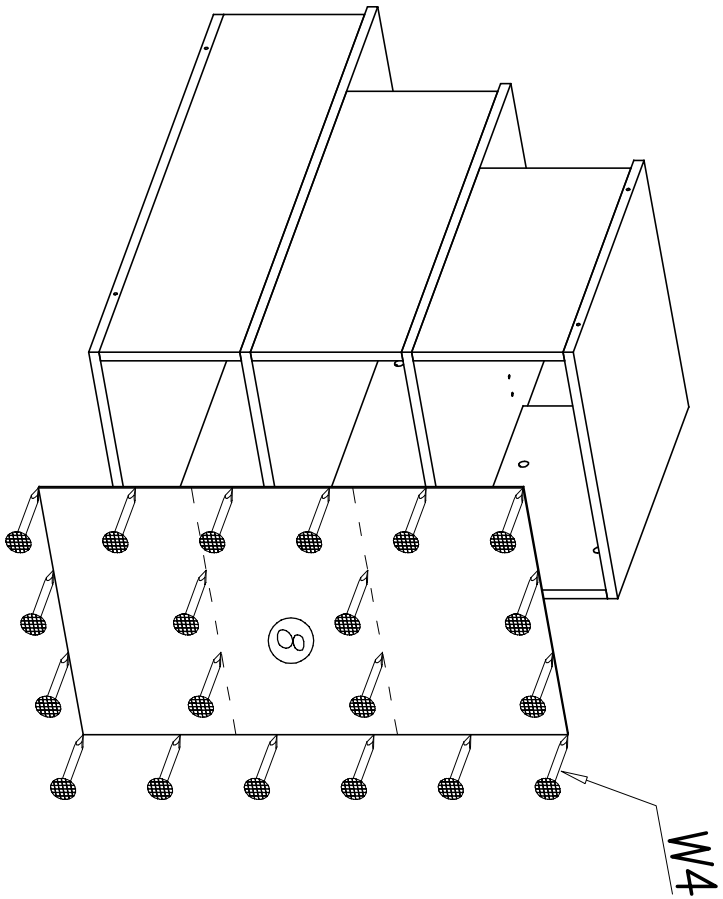
D4	B1	K1	K5
x2	Ø8x30 x12	Ø15x12 x8	x8

17

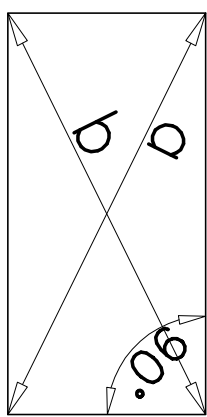


D4		x2
B1		x8
K1		x8
K5		x8

18

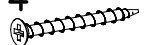




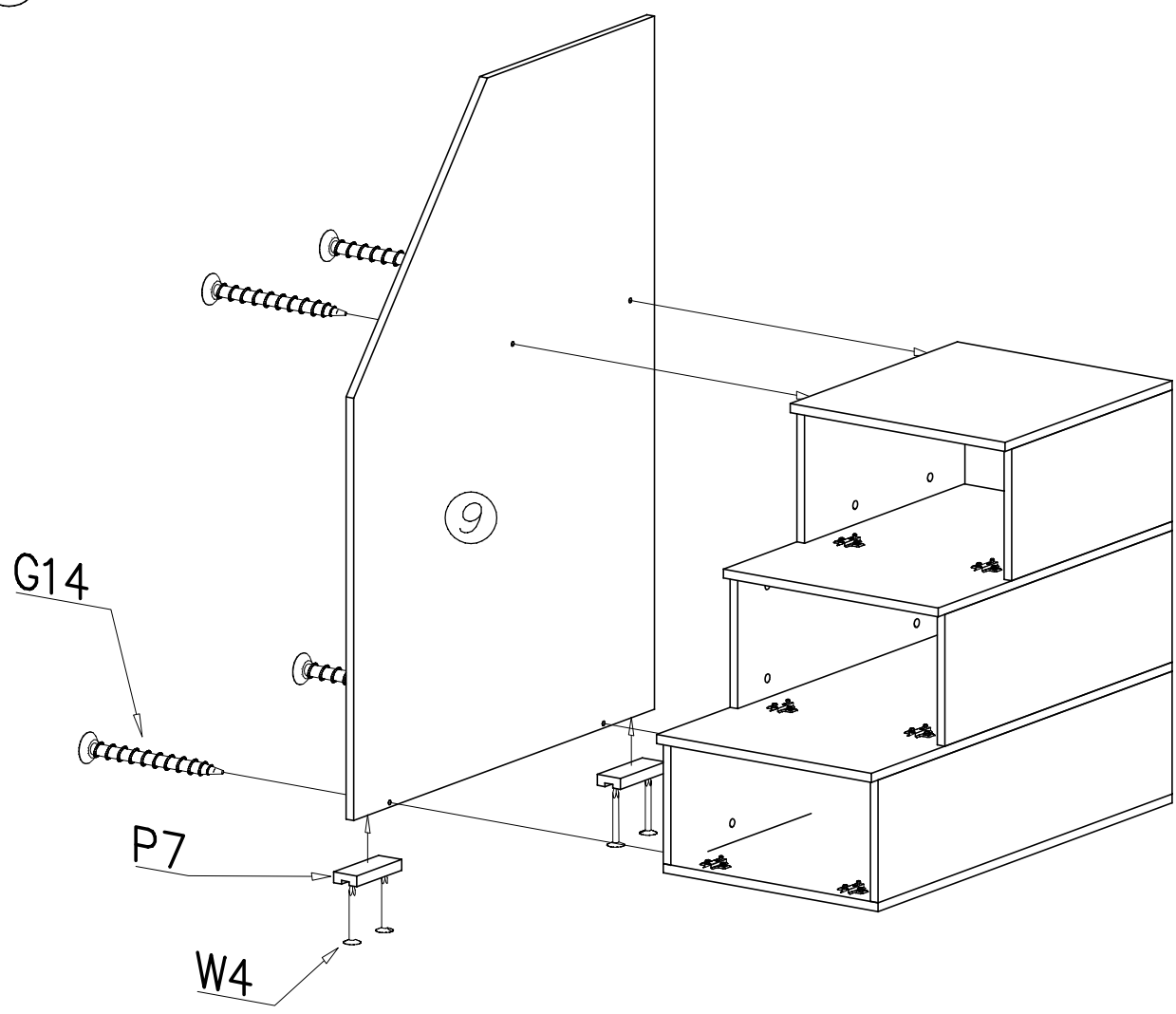
W4		x20
----	--	-----




$a = b$

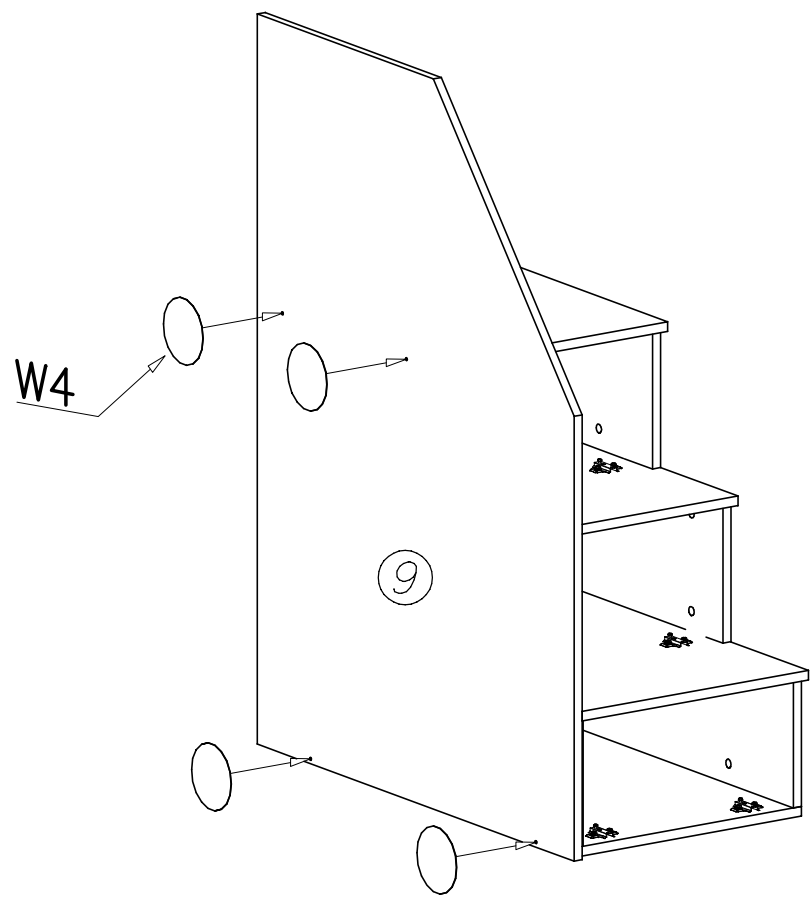
19

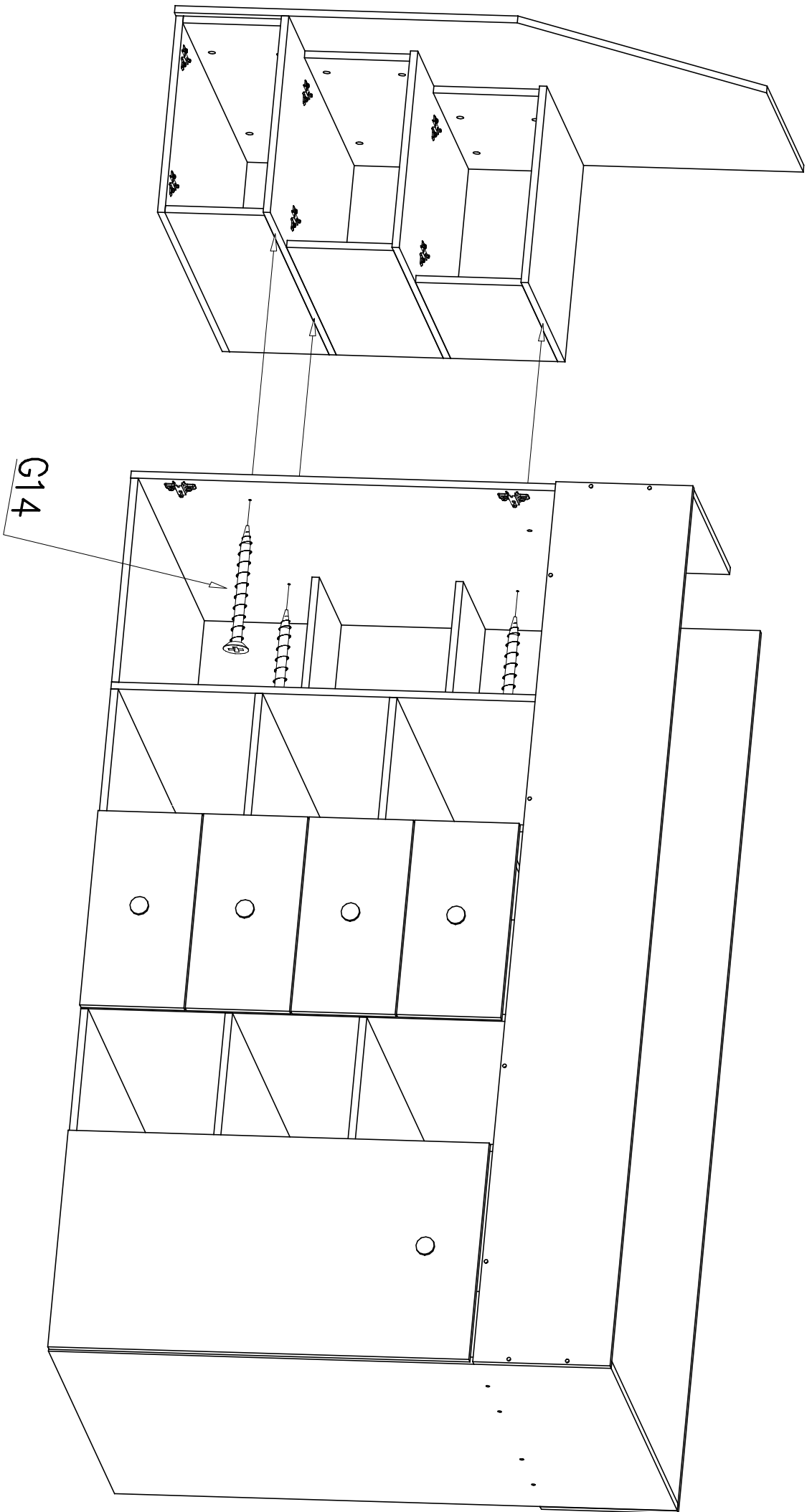
- G14  3,5x45 x4
- P7  x2
- W4  x4



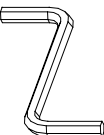

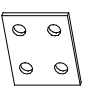

20

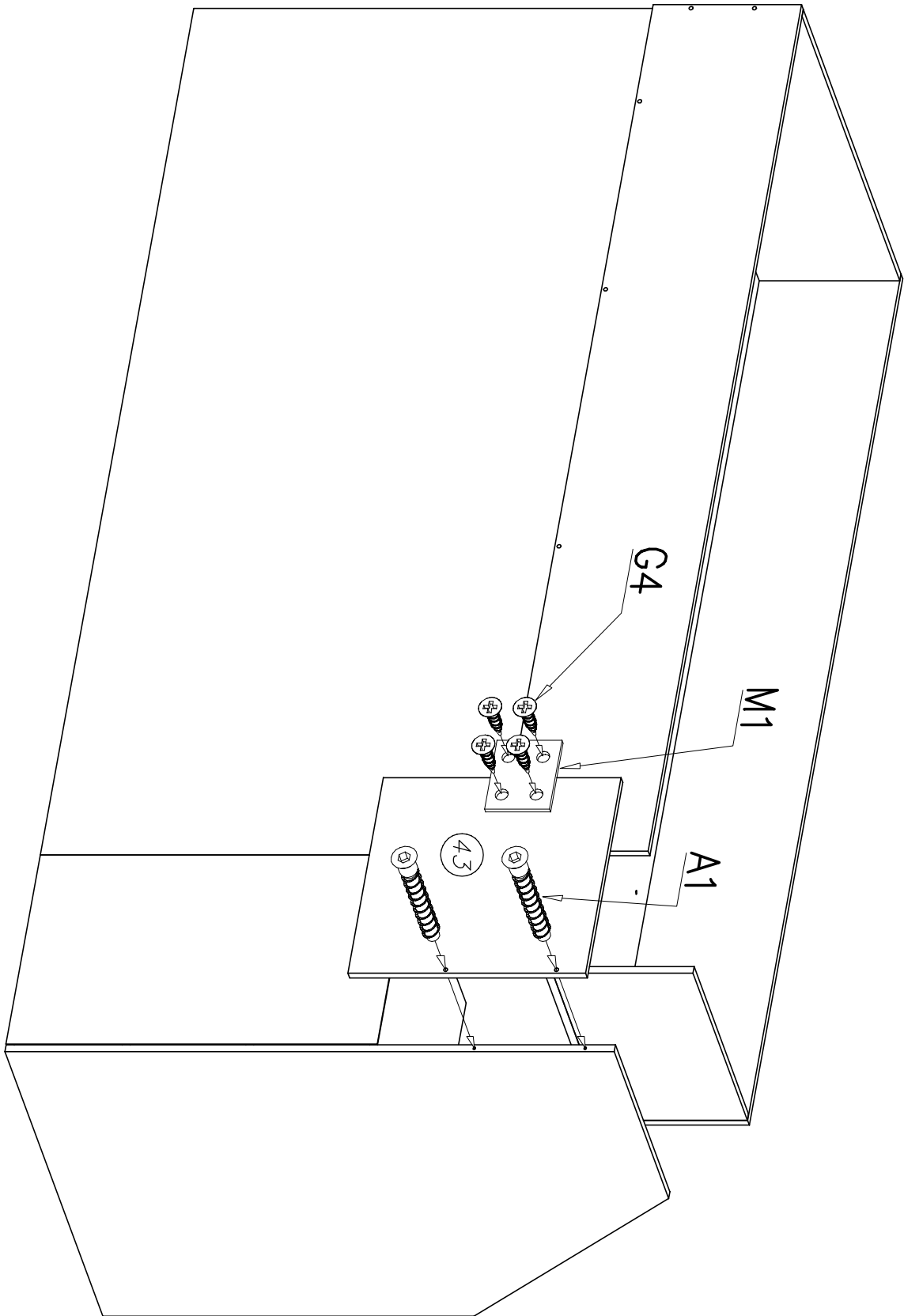
- I10  x4








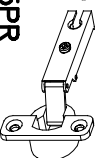



G14
3,5x45 X3

W2 4mm		A1 ø7x50		M1		G4 4x16	
	X1	X2	X2	X1	X1	X4	



23

19		110		G16		E35		G4		C3		C4	
	40x		x94	4x27	x3	x3	x3	4x16	x12	Z35PR	x2	Z350D	x4

