











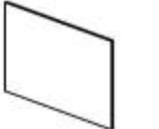
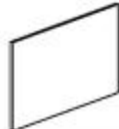
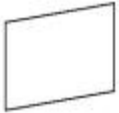










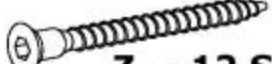








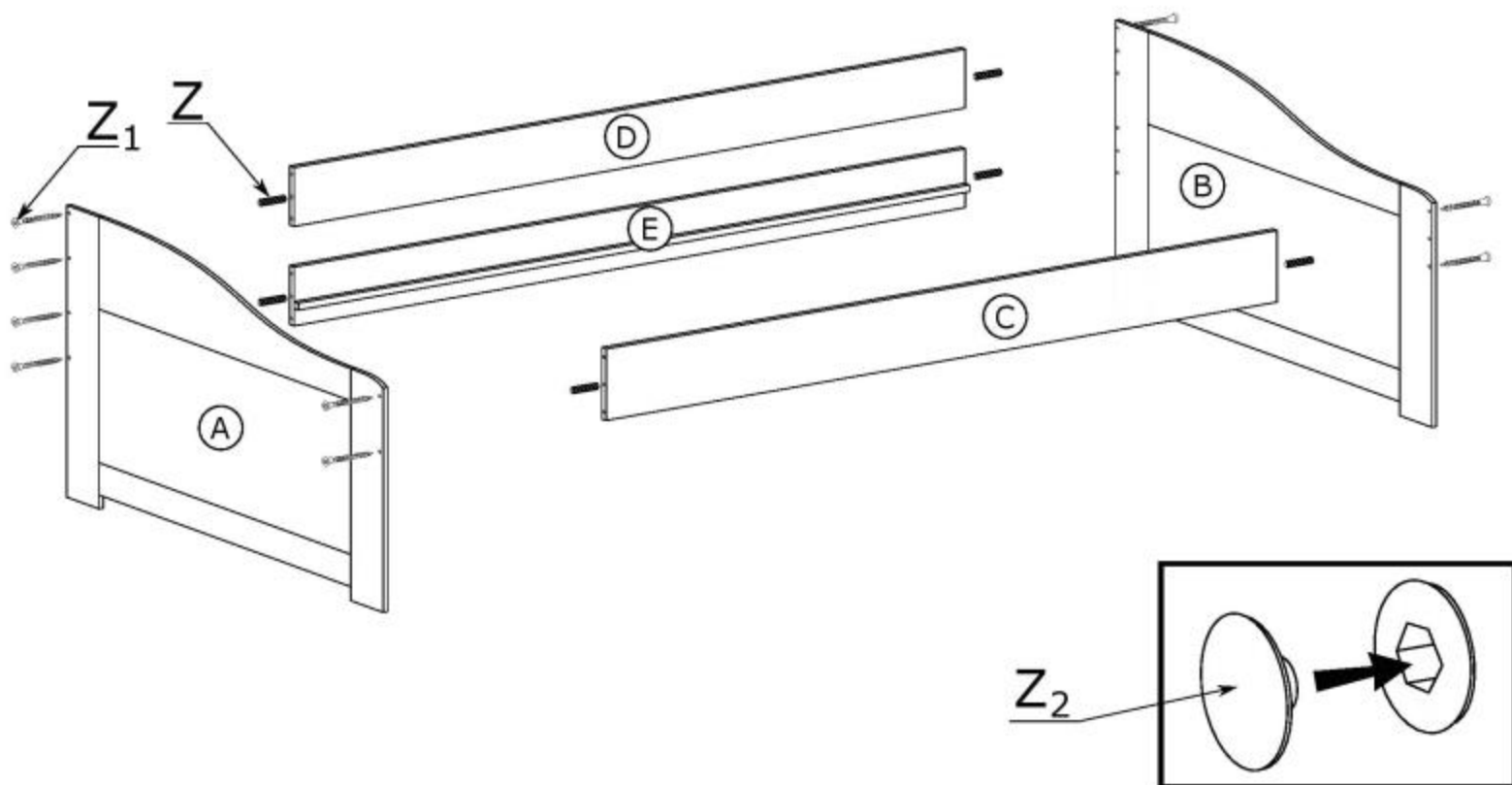
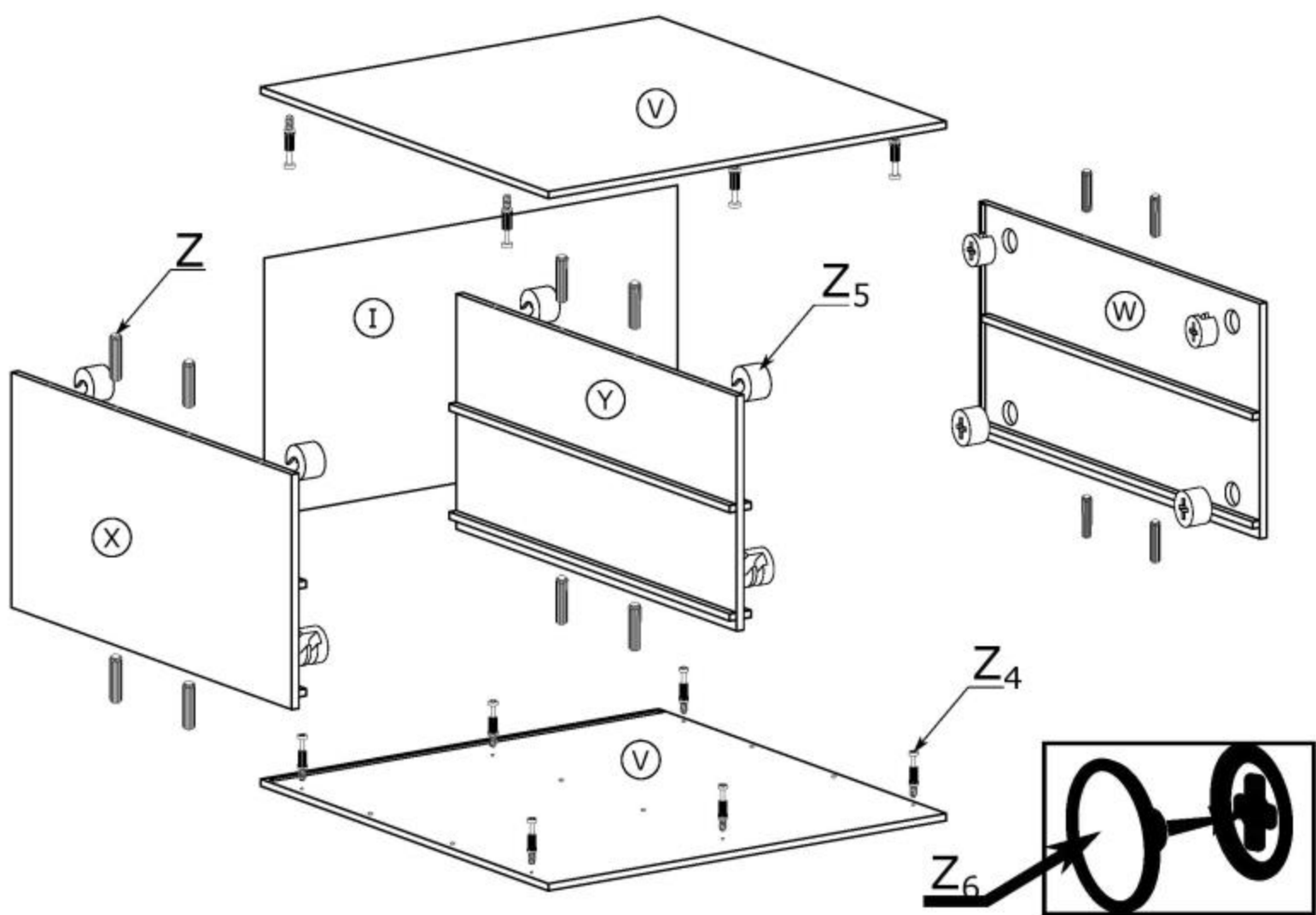
 A x1	 B x1	 C x1	 D x1	 E x1
 F x1	 G x1	 H x2	 I x1	 J x1
 K x1	 L x1	 M x1	 N x1	 O x1
 P x1	 Q x4	 R x4	 S x4	 T x4
 U x4	 V x2	 W x1	 X x1	 Y x1
 Z - 50 St.	 Z₁ - 12 St. 7x70 mm	 Z₂ - 12 St.	 Z₃ - 14 St. 3,5x30 mm	 Z₄ - 44 St.
 Z₅ - 44 St.	 Z₆ - 44 St.	 Z₇ - 4 St.	 Z₈ - 4 St.	 Z₉ - 16 St. 3,5x16 mm

I

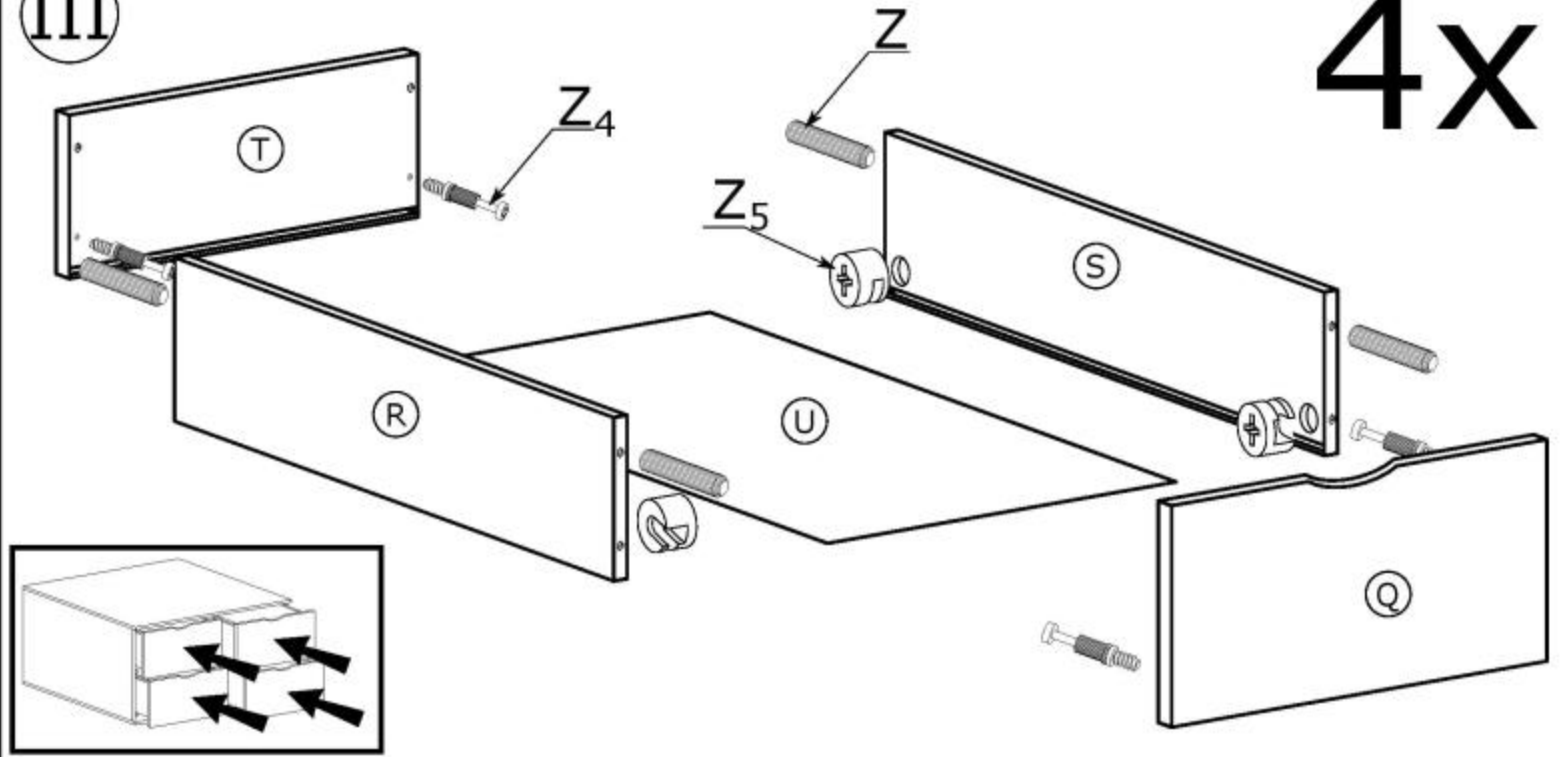


II

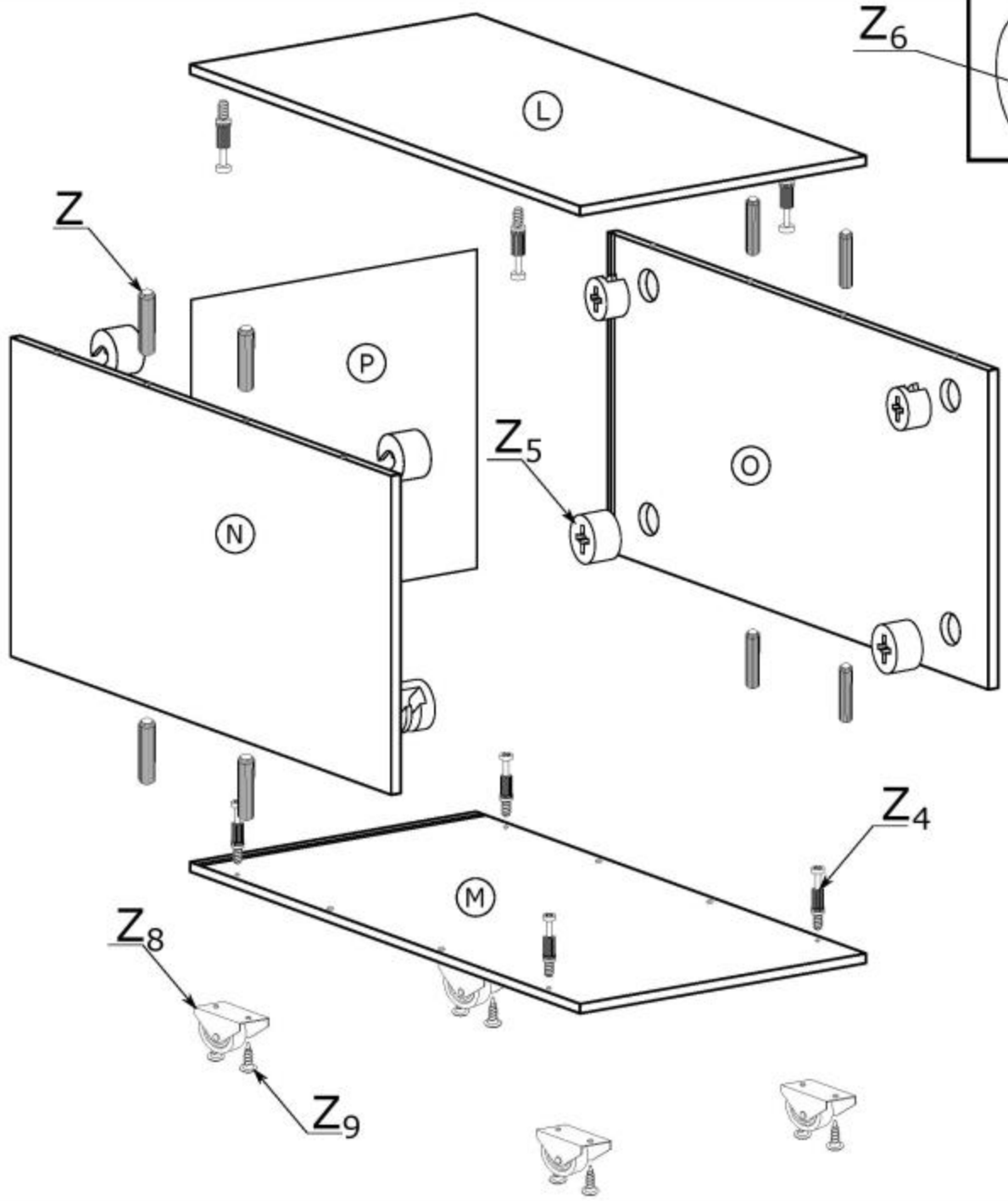
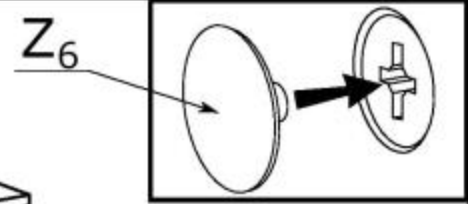


III

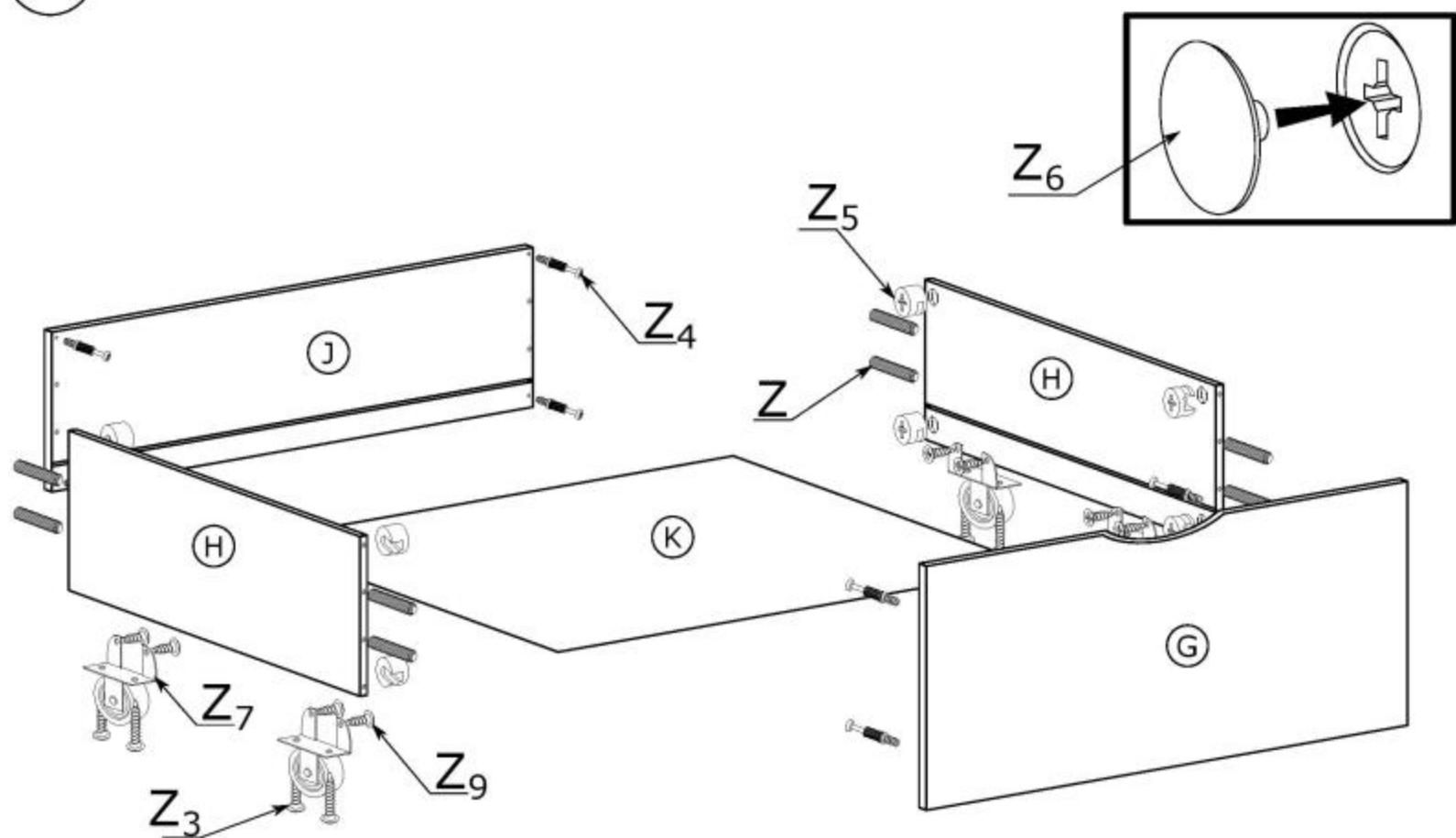
4x



IV



V



VI

