



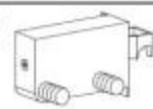
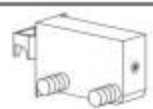
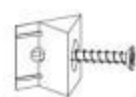







<b>G34</b> 3,5x16 4x		<b>G22</b> 3x16 3x	
----------------------------	---	--------------------------	---



<b>L7</b> 60N 2x		<b>C4+D4</b> 2x	
------------------------	---	--------------------	---


<b>U9R</b> x1		<b>U9L</b> x1	
------------------	---	------------------	---

<b>I1</b> 22x		<b>E12</b> 128mm 1x	
------------------	---	---------------------------	---

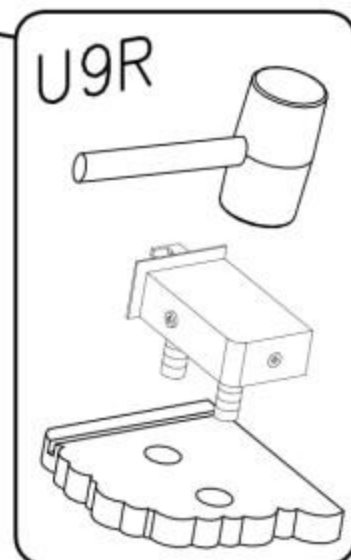
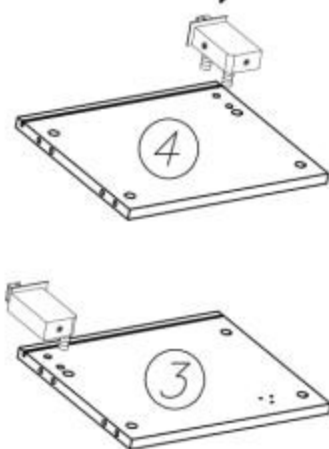
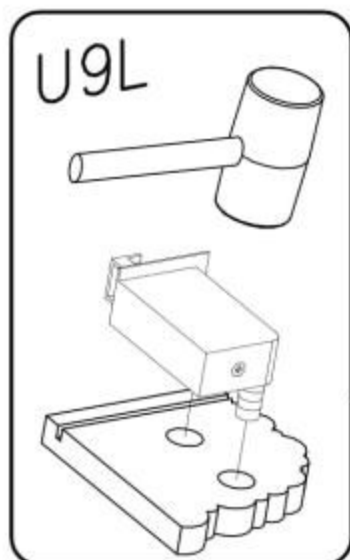
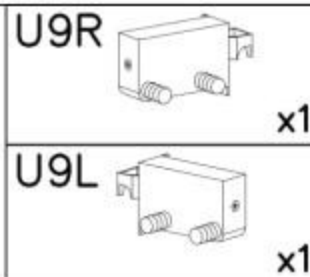
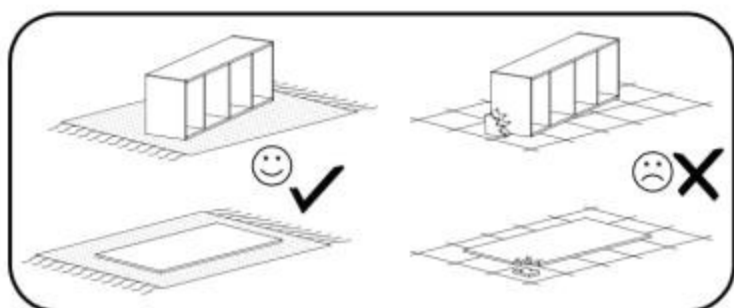
<b>B1</b> ø8x30 12x		<b>I7</b> ø18 12x	
---------------------------	---	-------------------------	---

<b>U7S</b> 2x		<b>U8</b> ø10x50 2x	
------------------	---	---------------------------	---

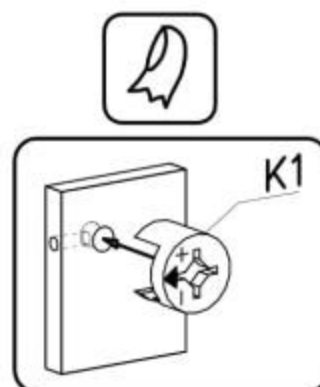
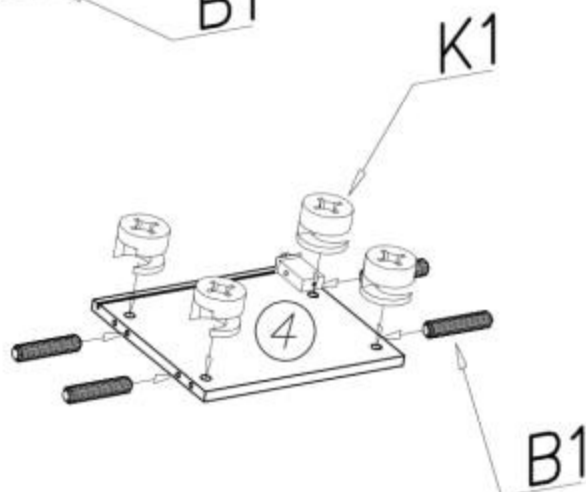
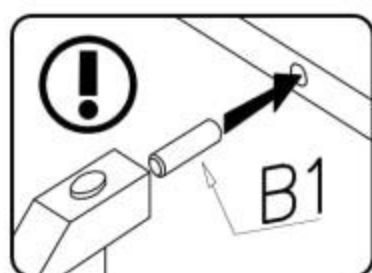
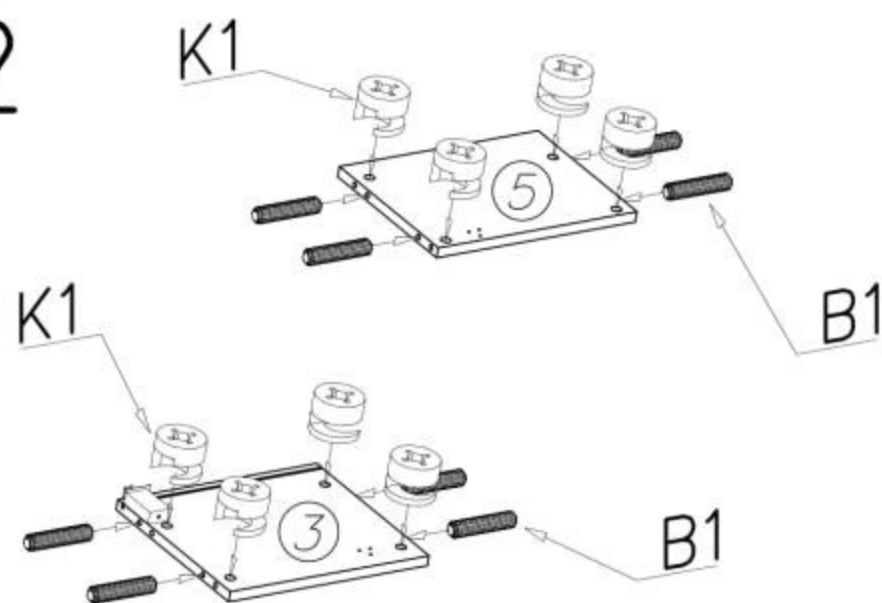
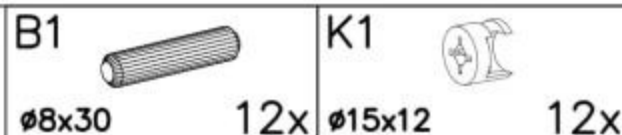
<b>G8</b> 4x30 2x		<b>K5</b> 12x	
-------------------------	---	------------------	---

<b>K1</b> ø15x12 12x	
----------------------------	---

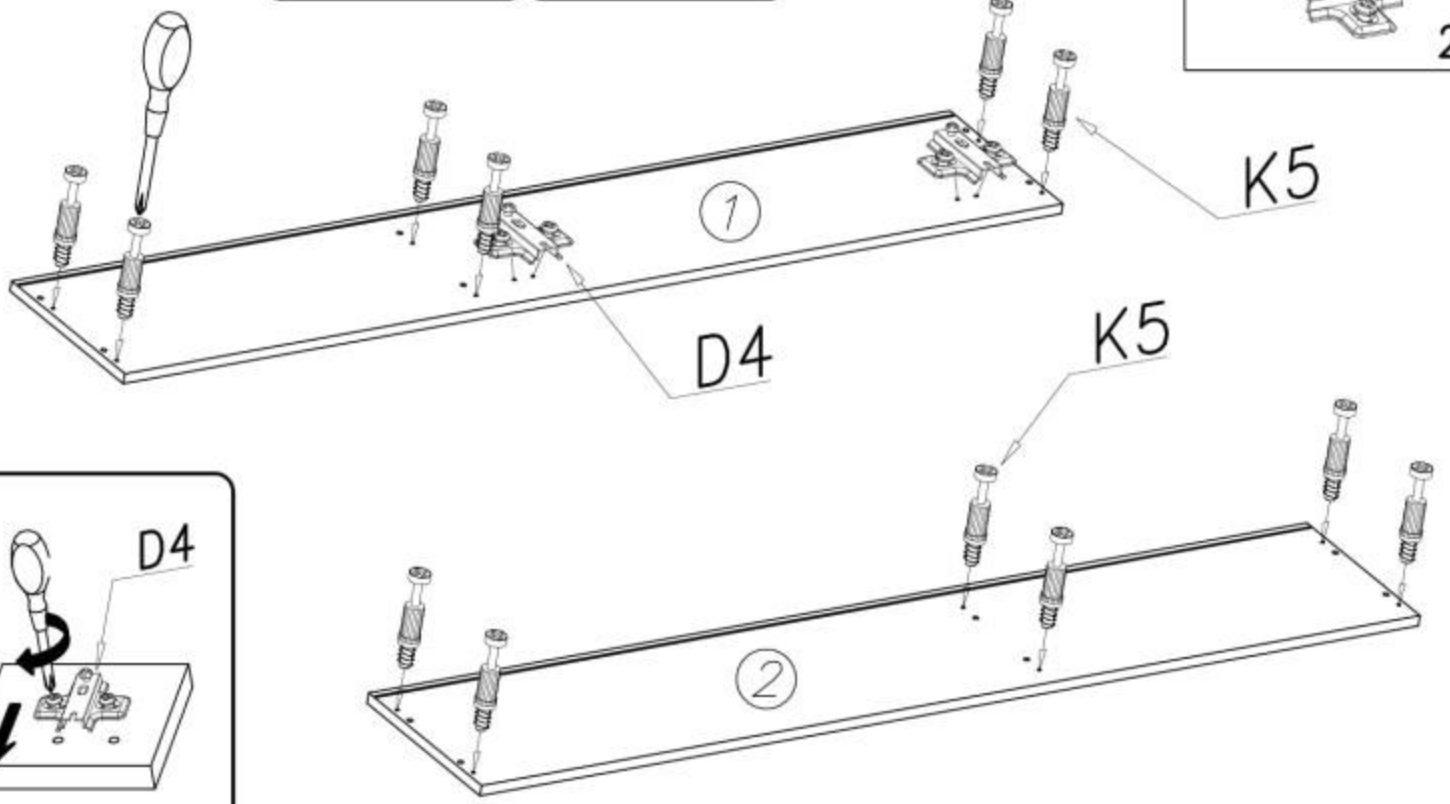
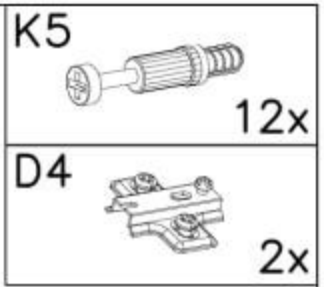
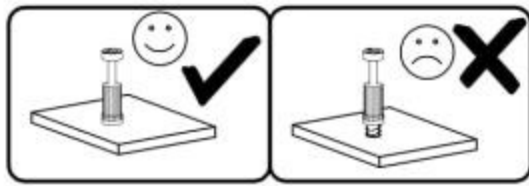
1



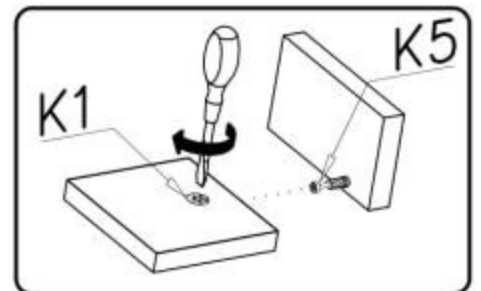
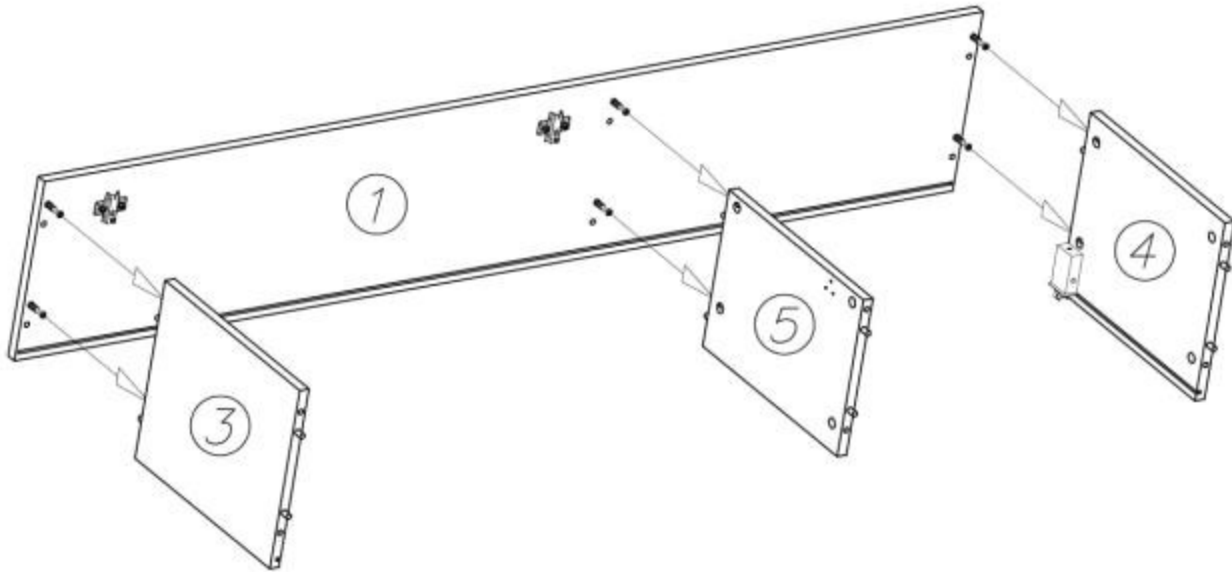
2



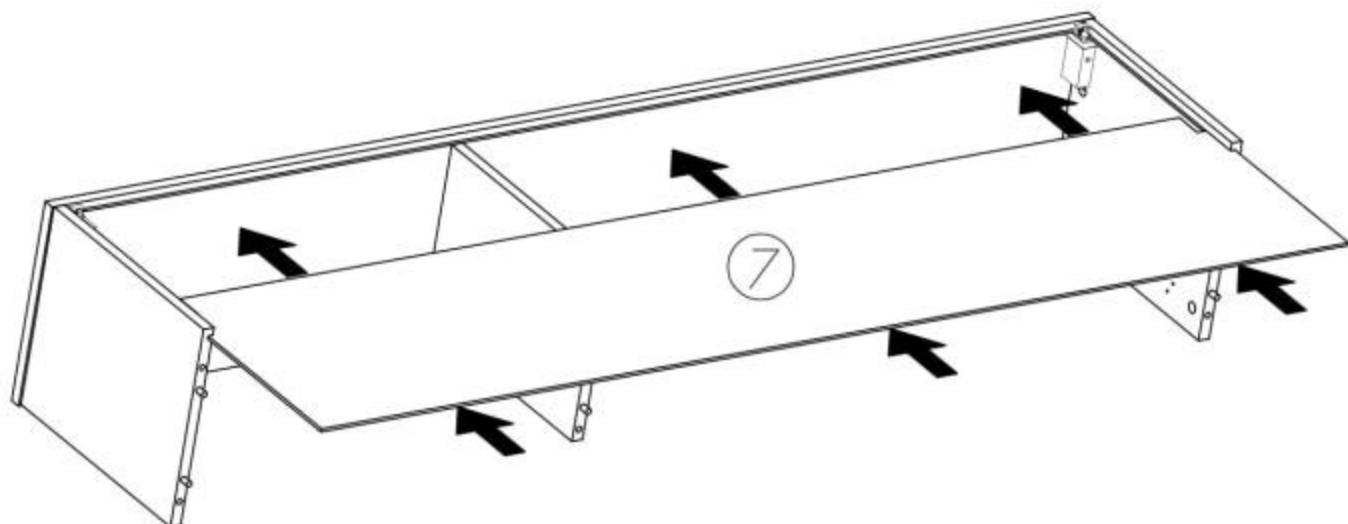
3



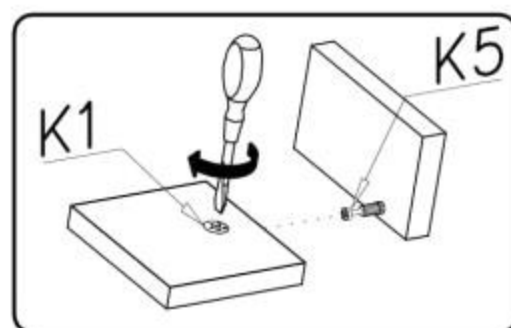
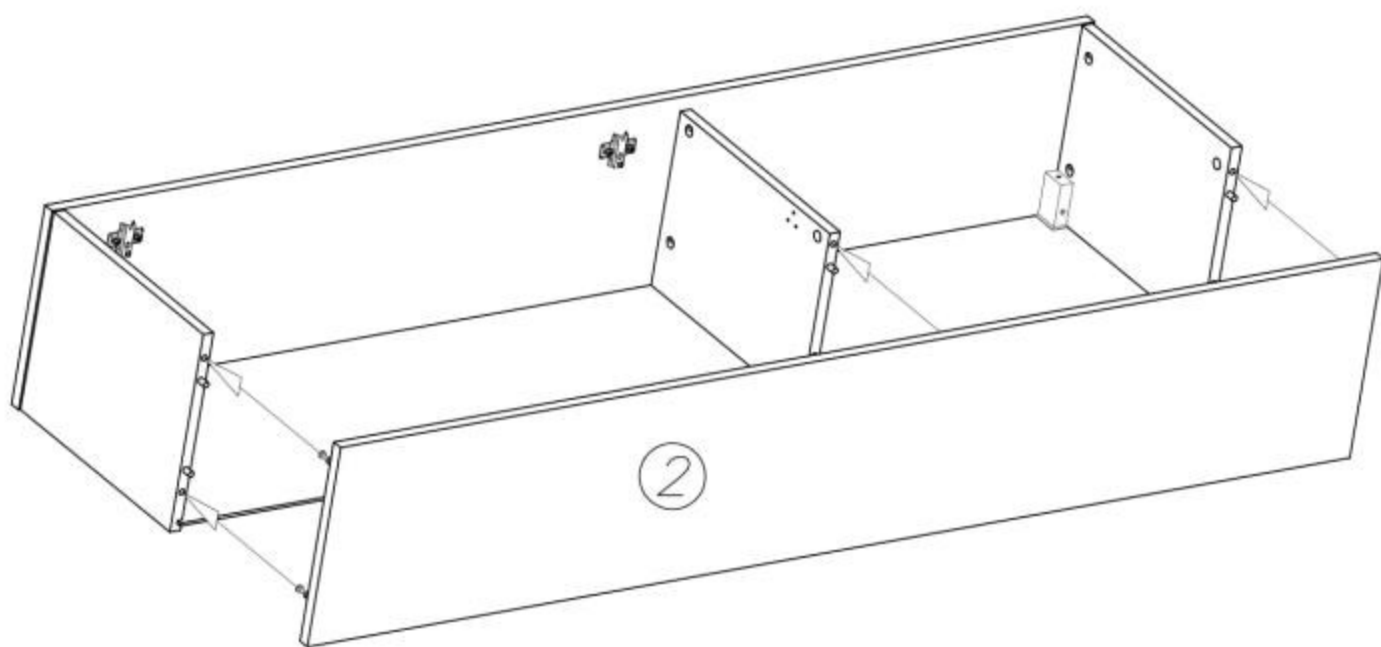
4



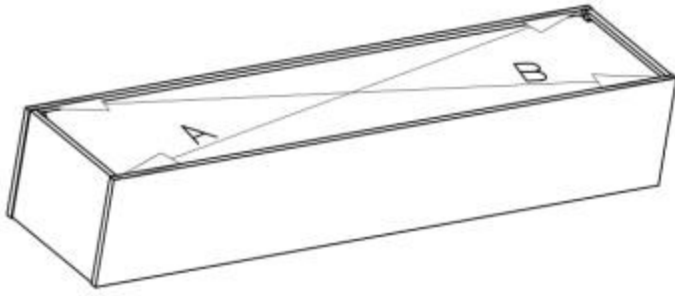
5



6



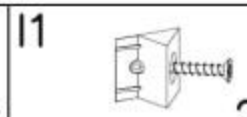
7



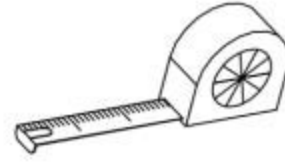
G22  
3x16



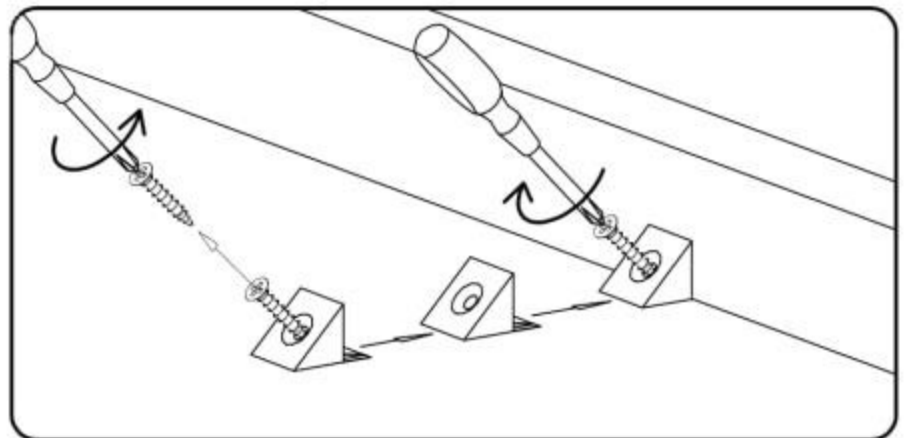
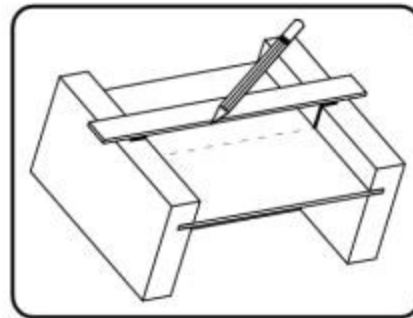
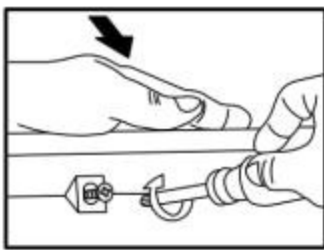
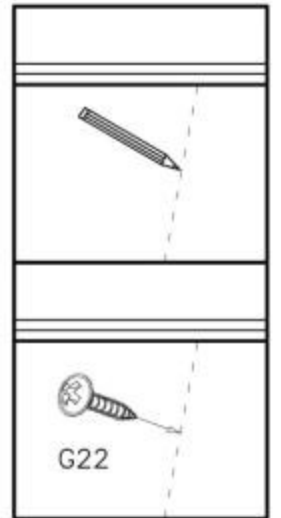
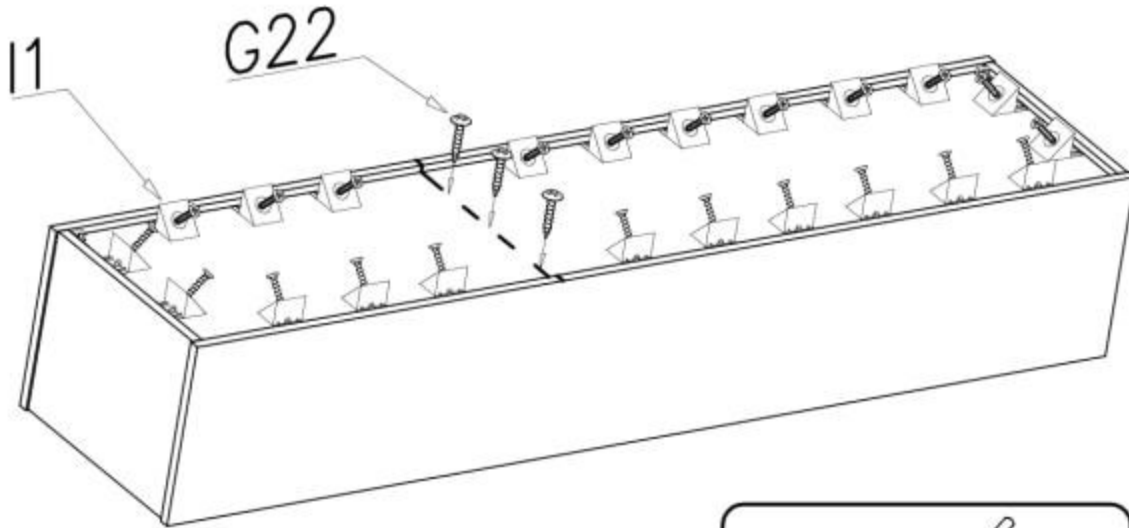
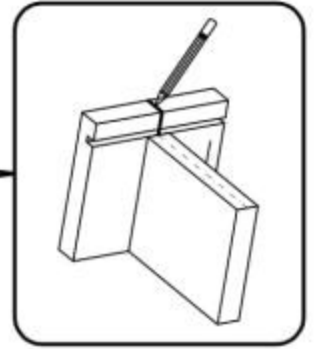
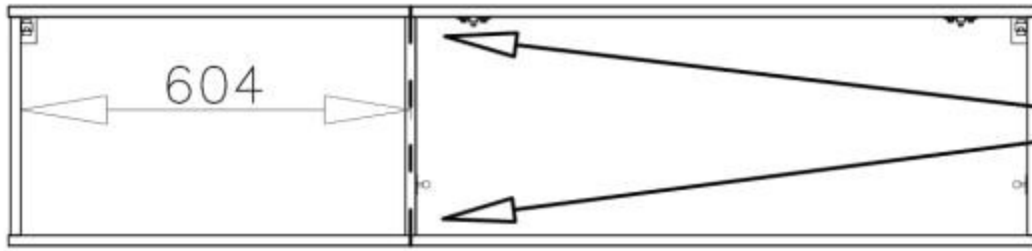
3x



22x



A=B

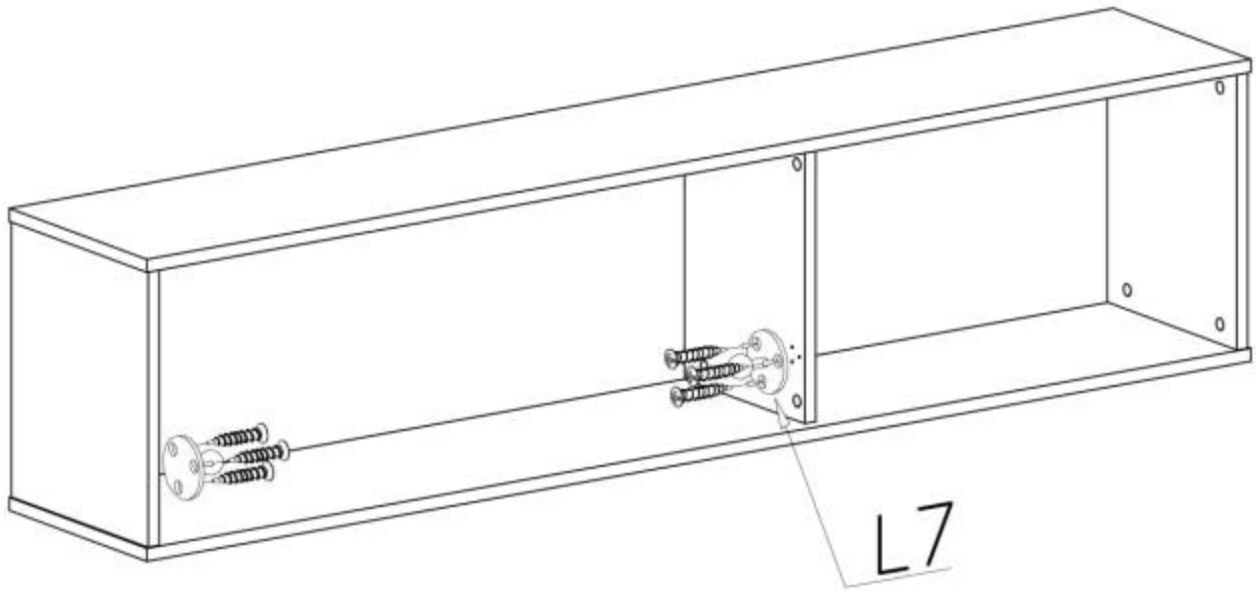


8

L7



2x



L7

9

C4



2x

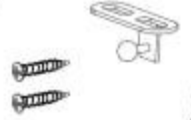
G34



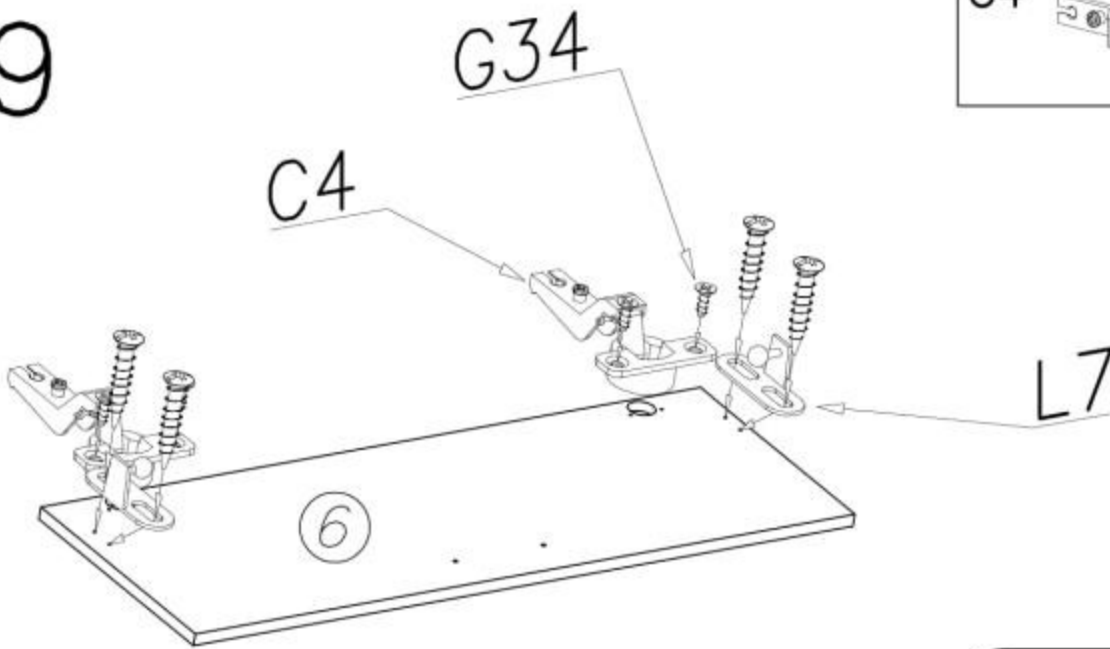
3,5x16

4x

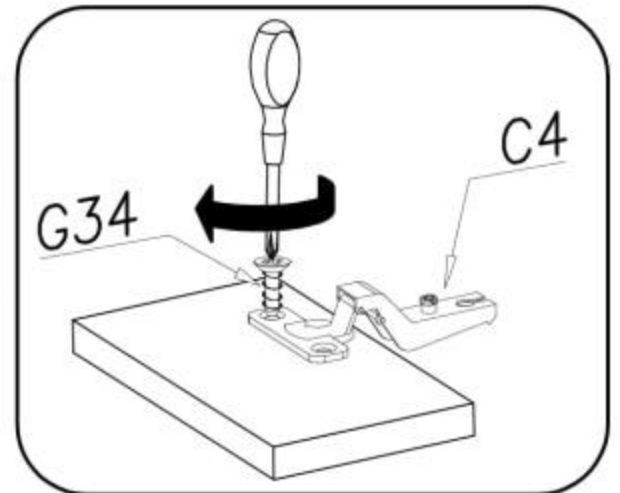
L7



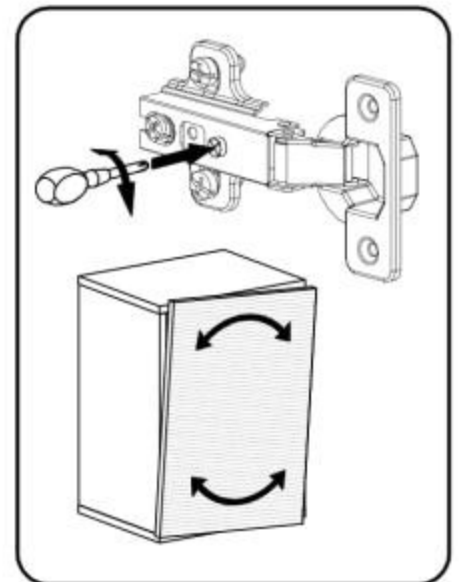
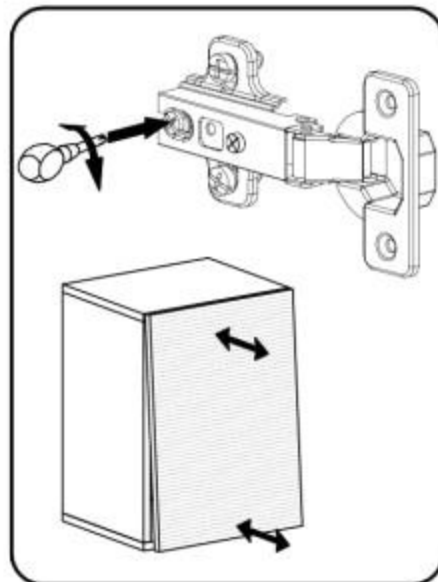
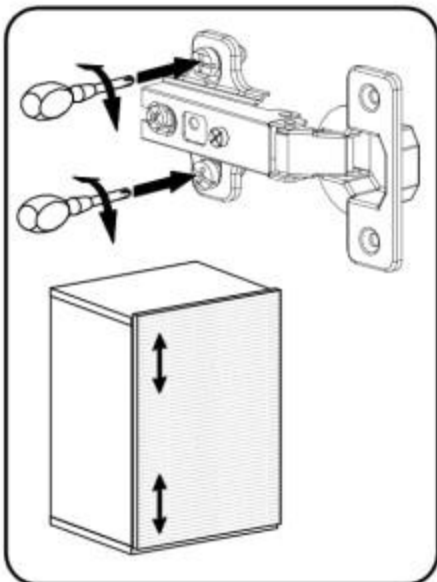
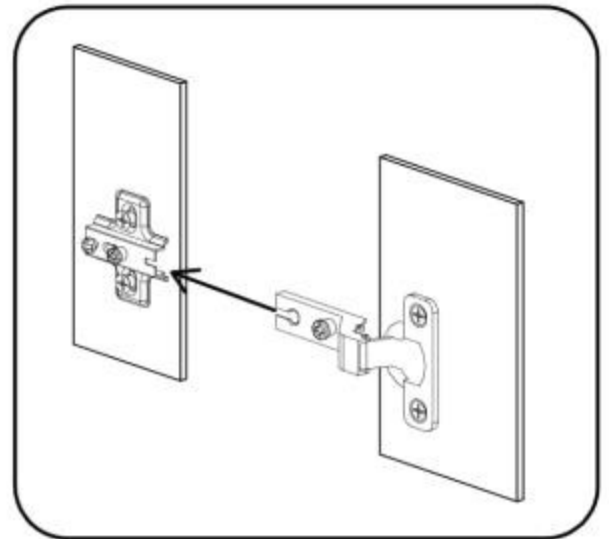
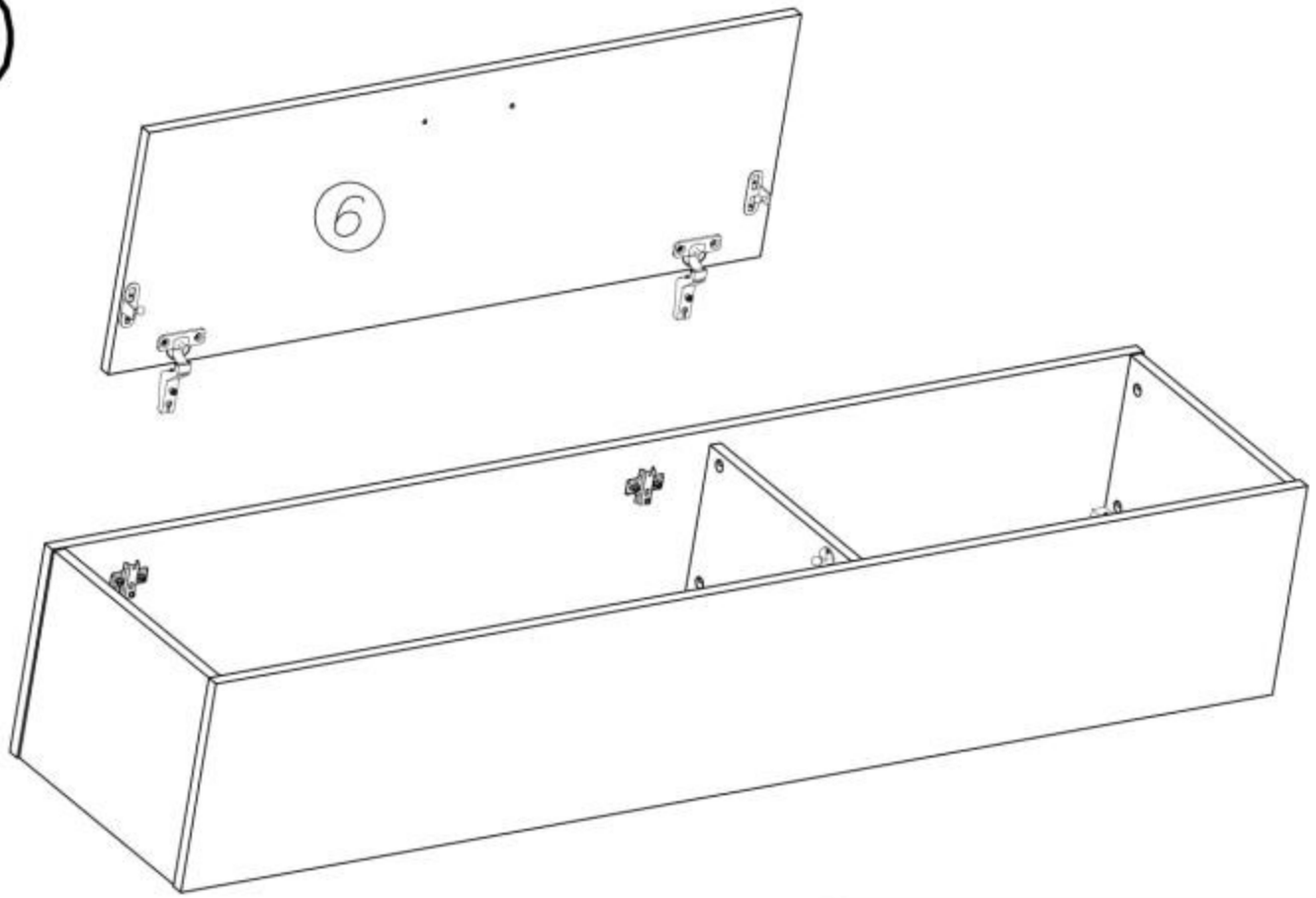
2x



L7



10



# 11

E12  
128mm 1x

G8  
4x30 2x

I7  
ø18 12x

L7  
2x

