









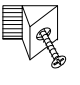


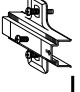
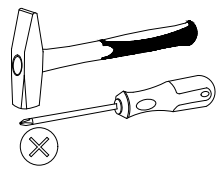
 G	4.0x30  H1	 A	 S	8.0x30  D	 B
2	4	4	12	8	8

II - III

 A	8.0x30  D	 B
8	4	4

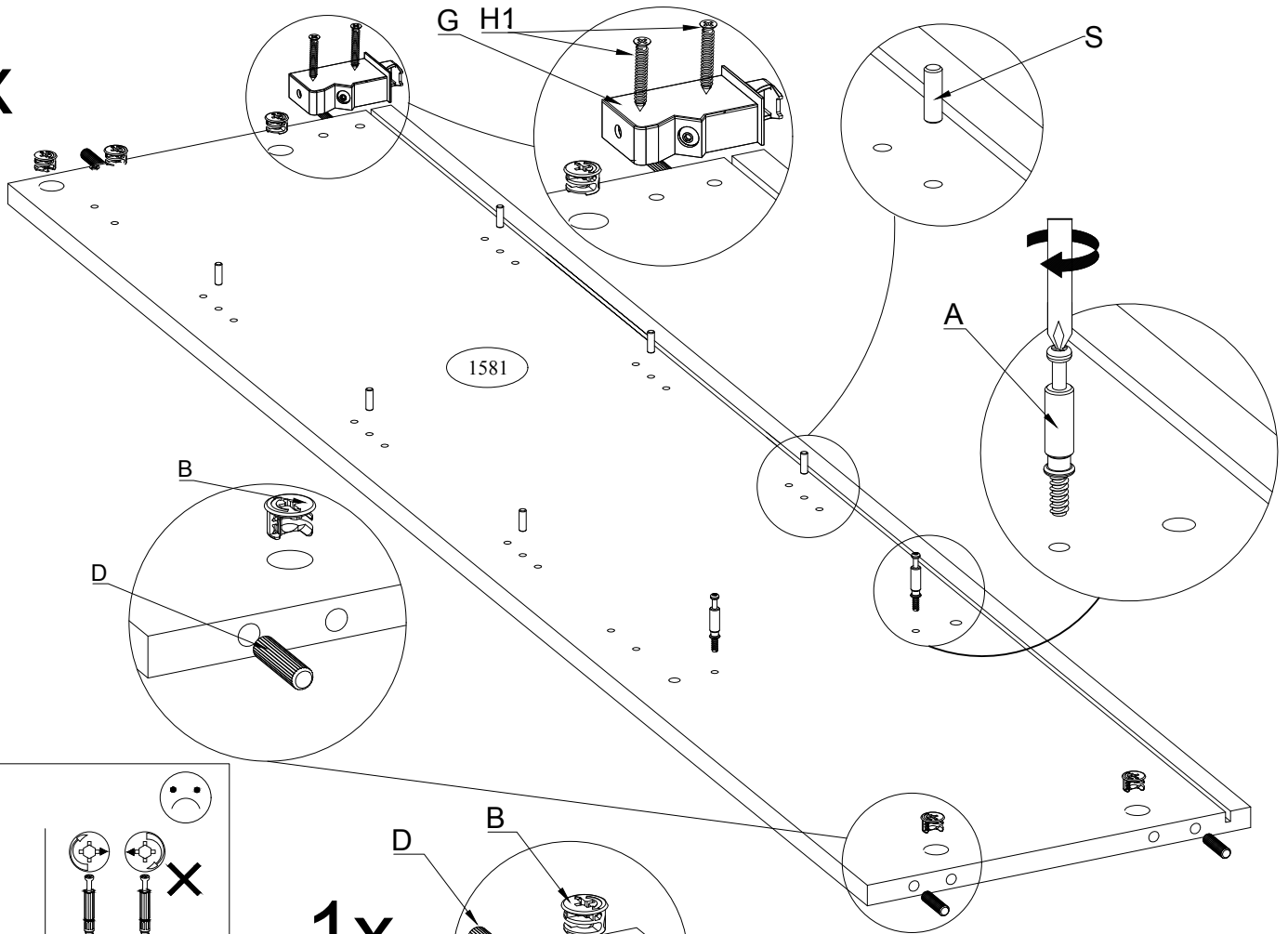
IV - XII

\varnothing -10.0  KR	6.3X13  F	 I	 Z	 X	 L
2	4	8	2	12	2

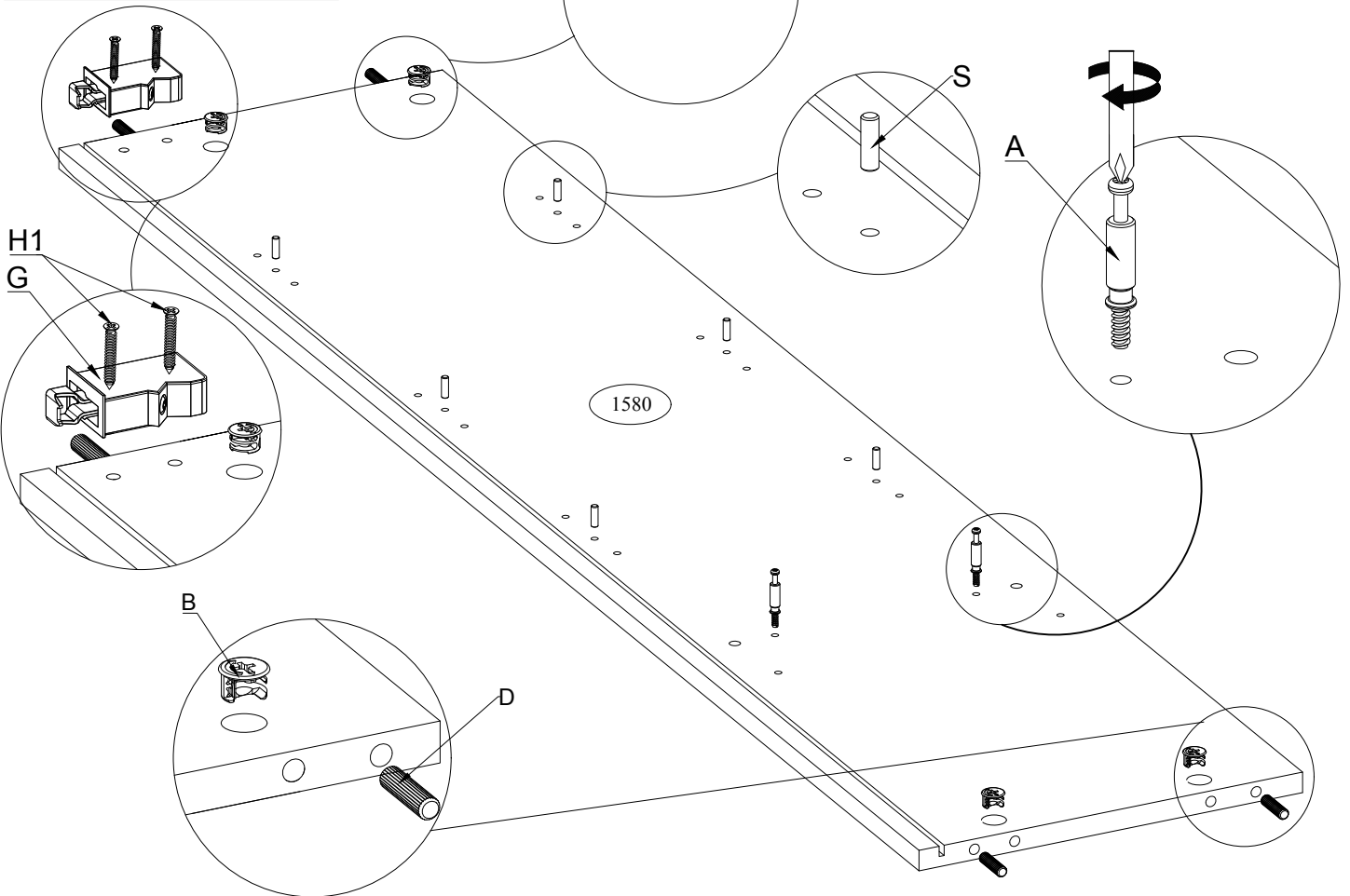
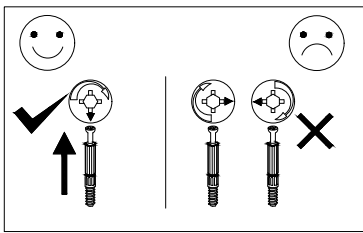


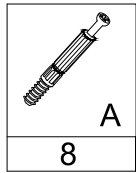
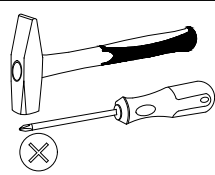
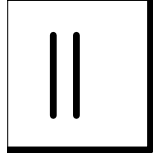
	4.0x30 			8.0x30 	
G	H1	A	S	D	B
2	4	4	12	8	8

1x

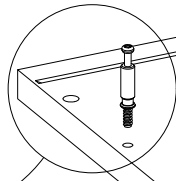
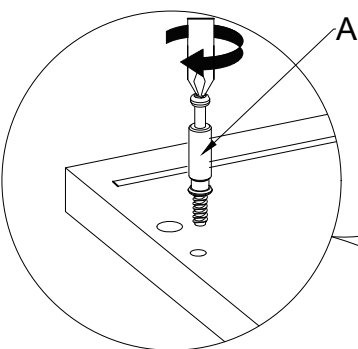


1x



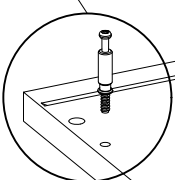


1x

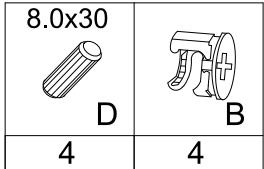
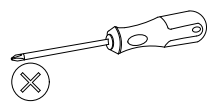


1582

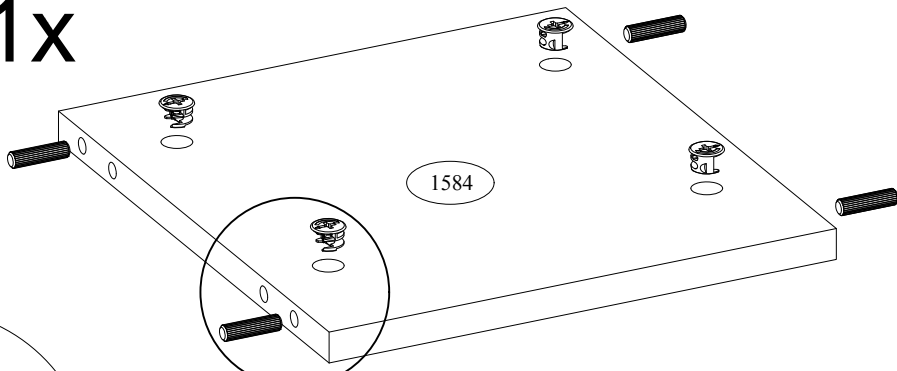
1x



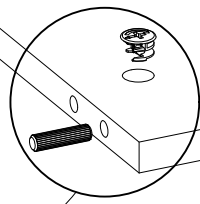
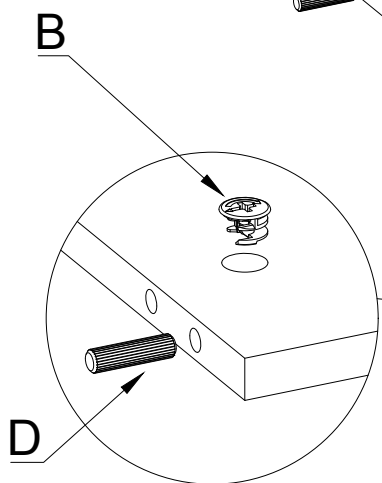
1583



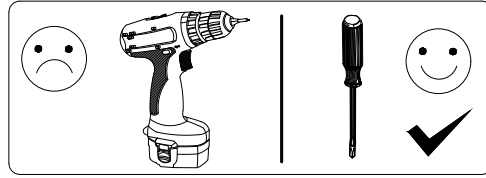
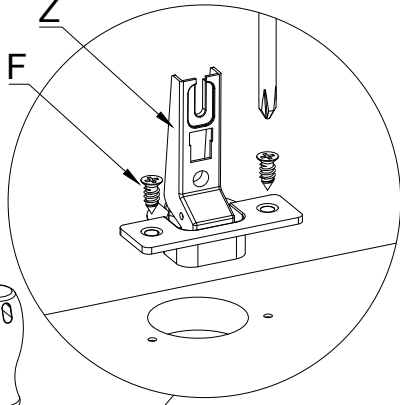
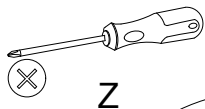
1x



1584

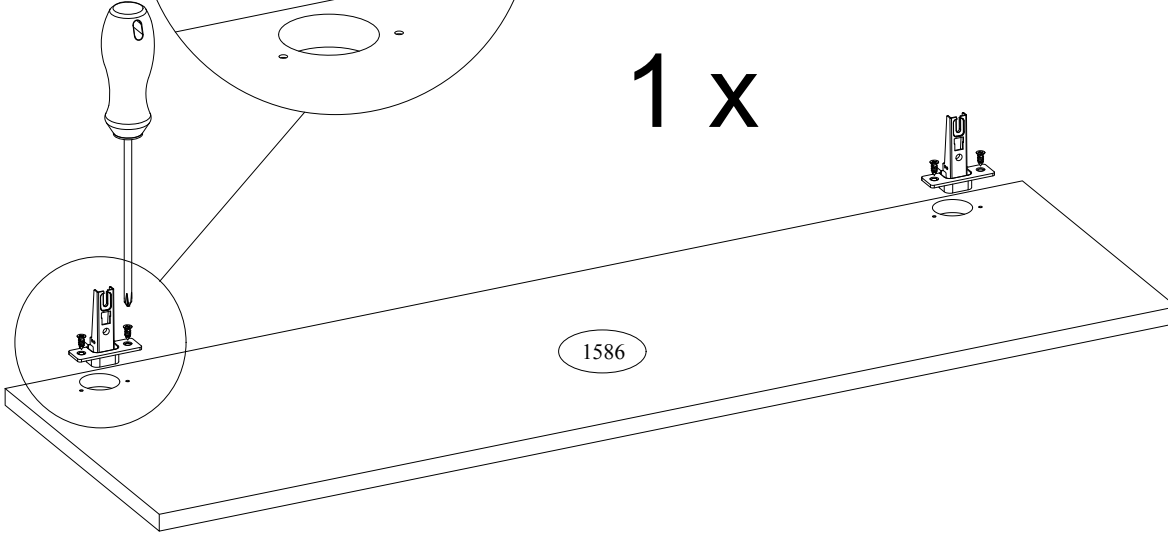


IV

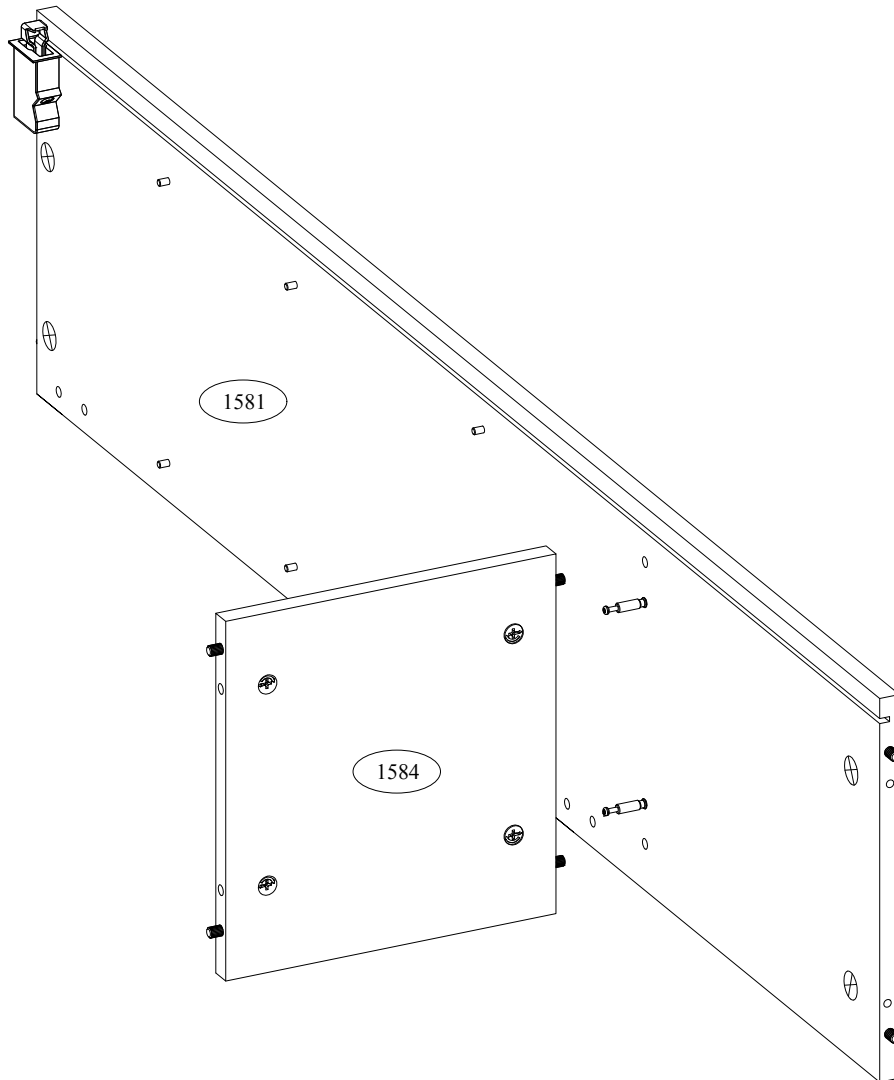
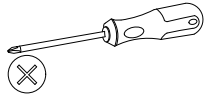


6.3X13		
	F	Z
4		2

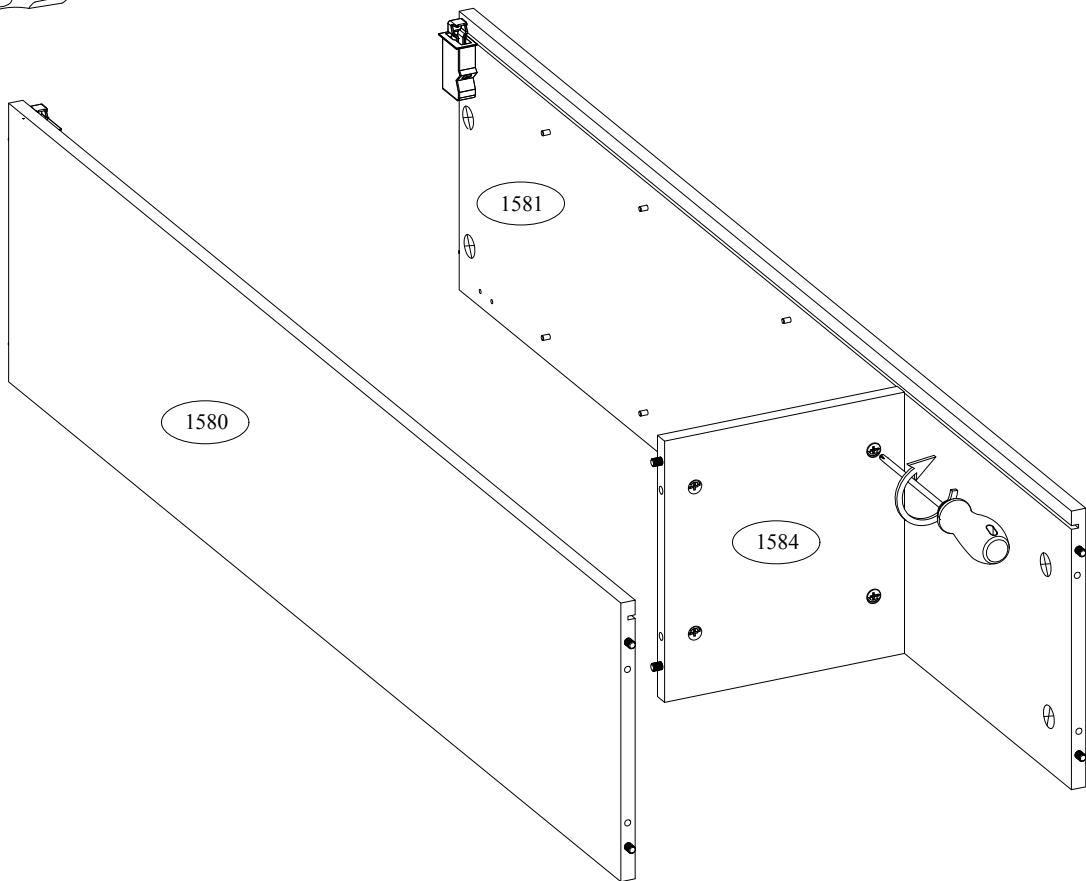
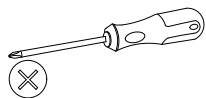
1 x



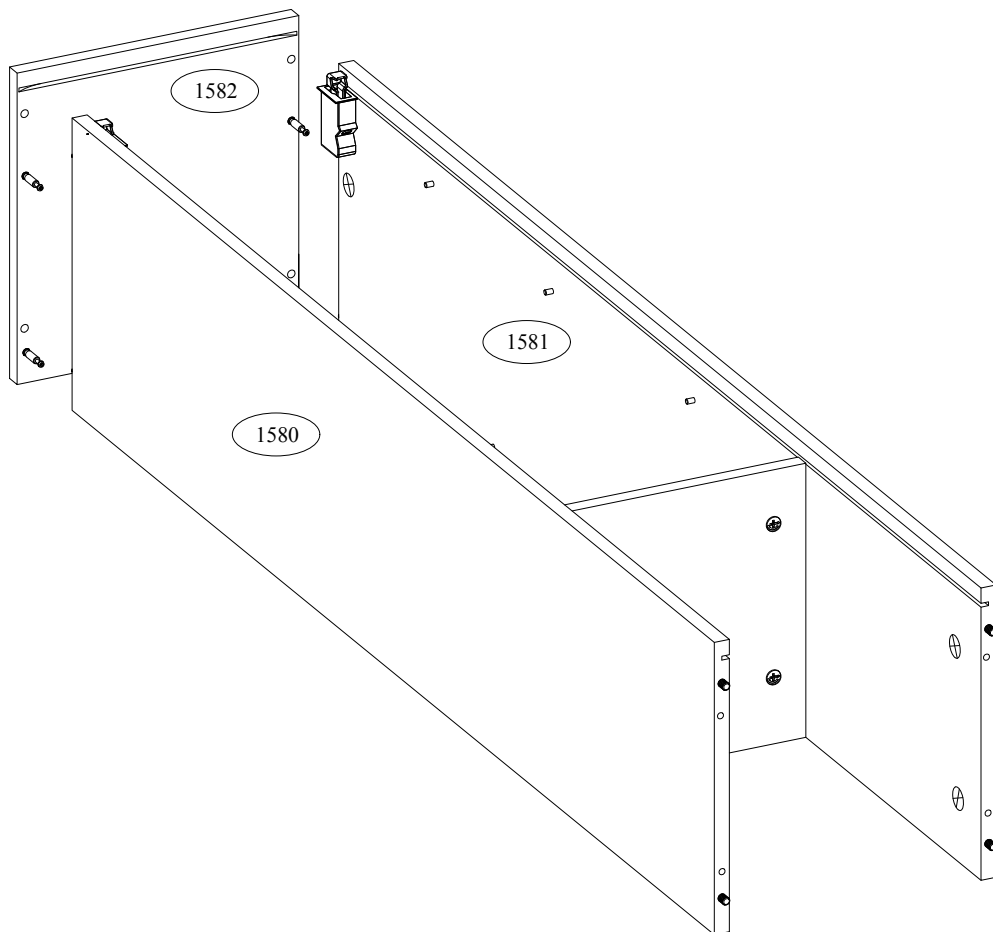
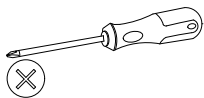
V



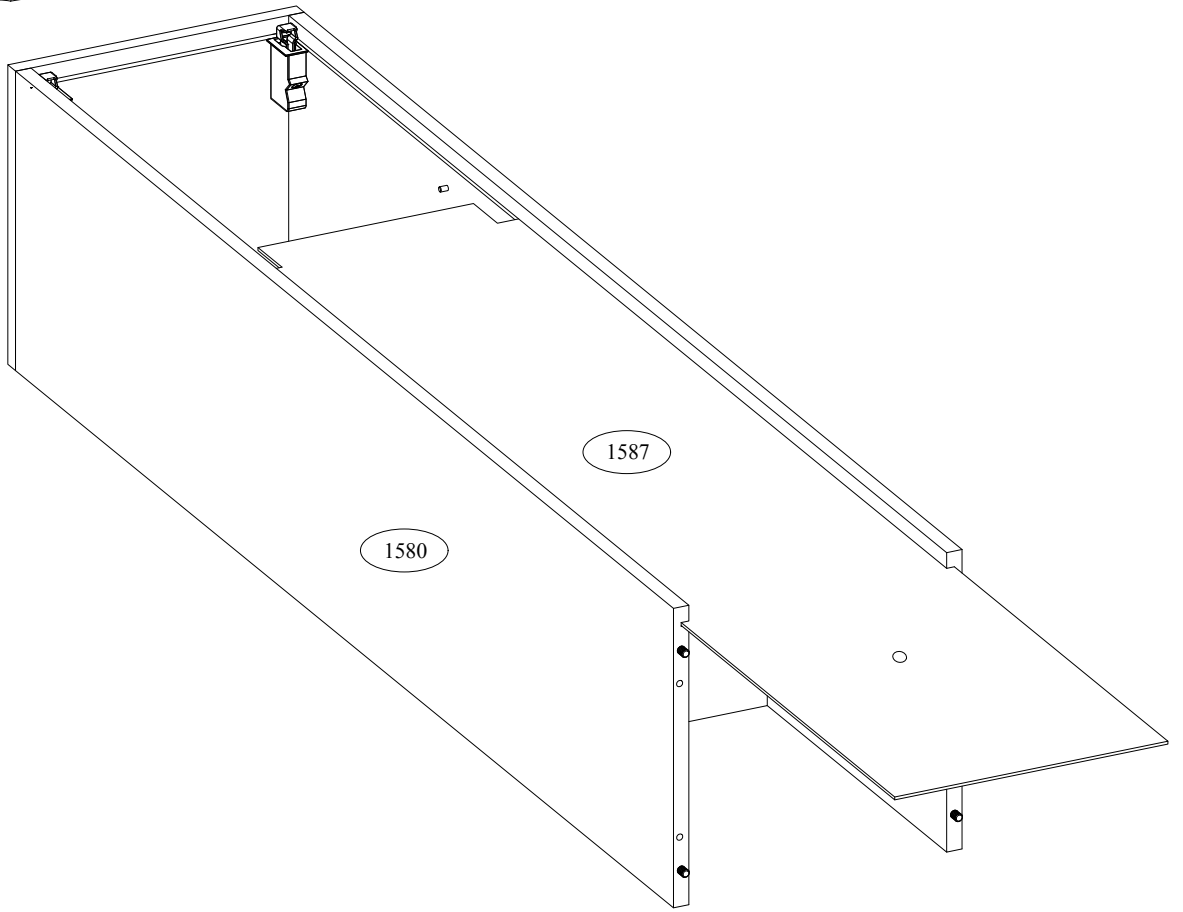
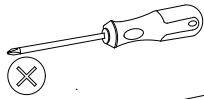
VI



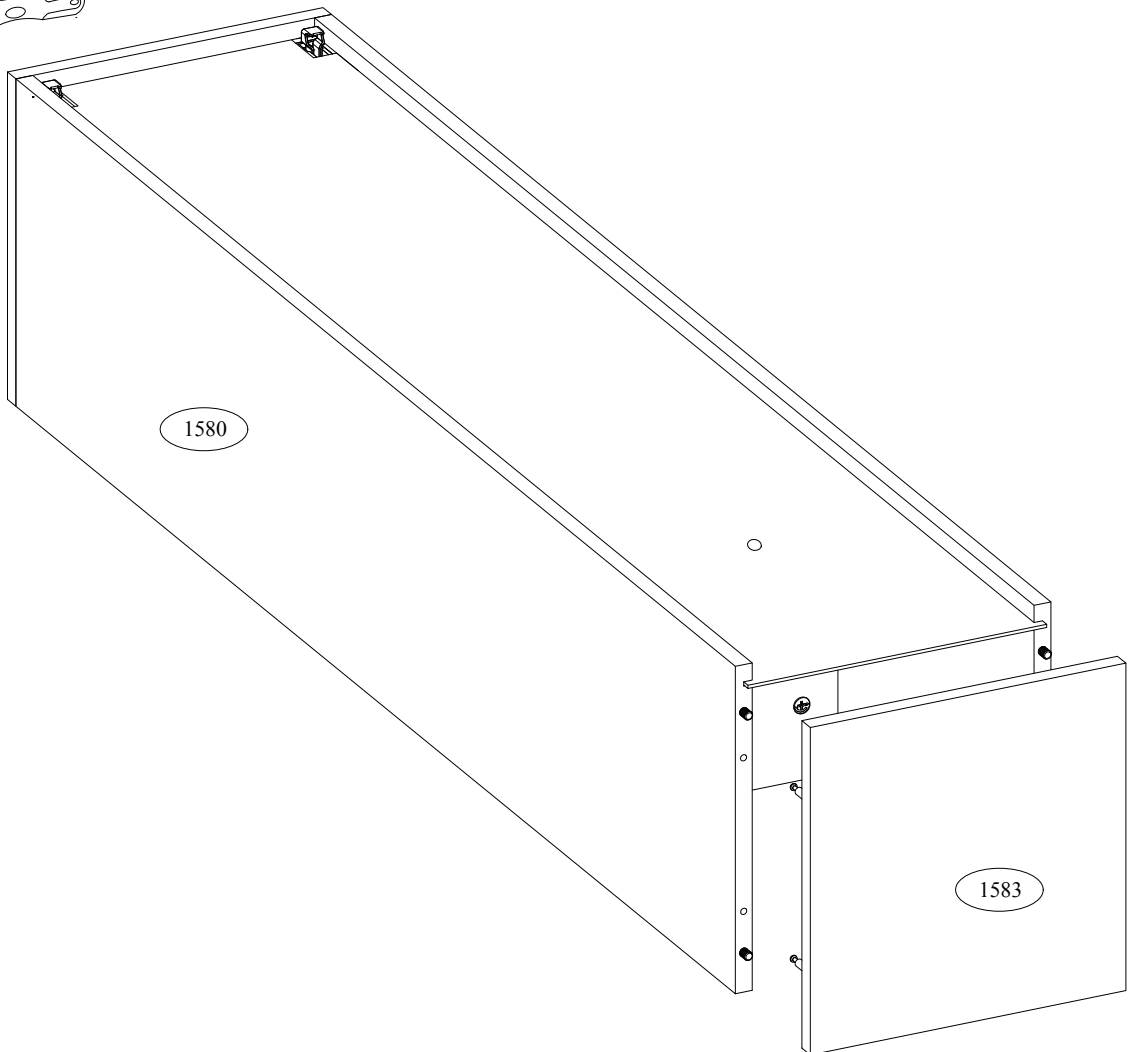
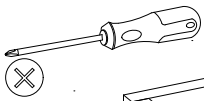
VII



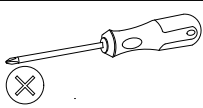
VIII



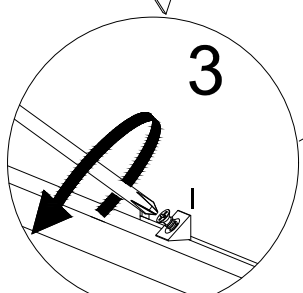
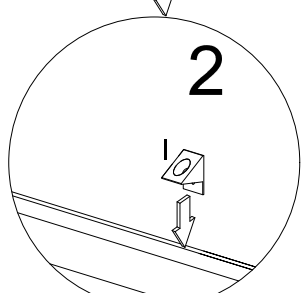
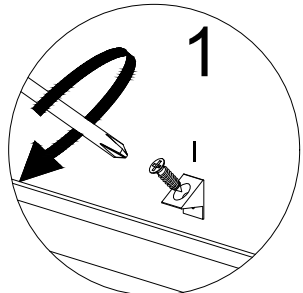
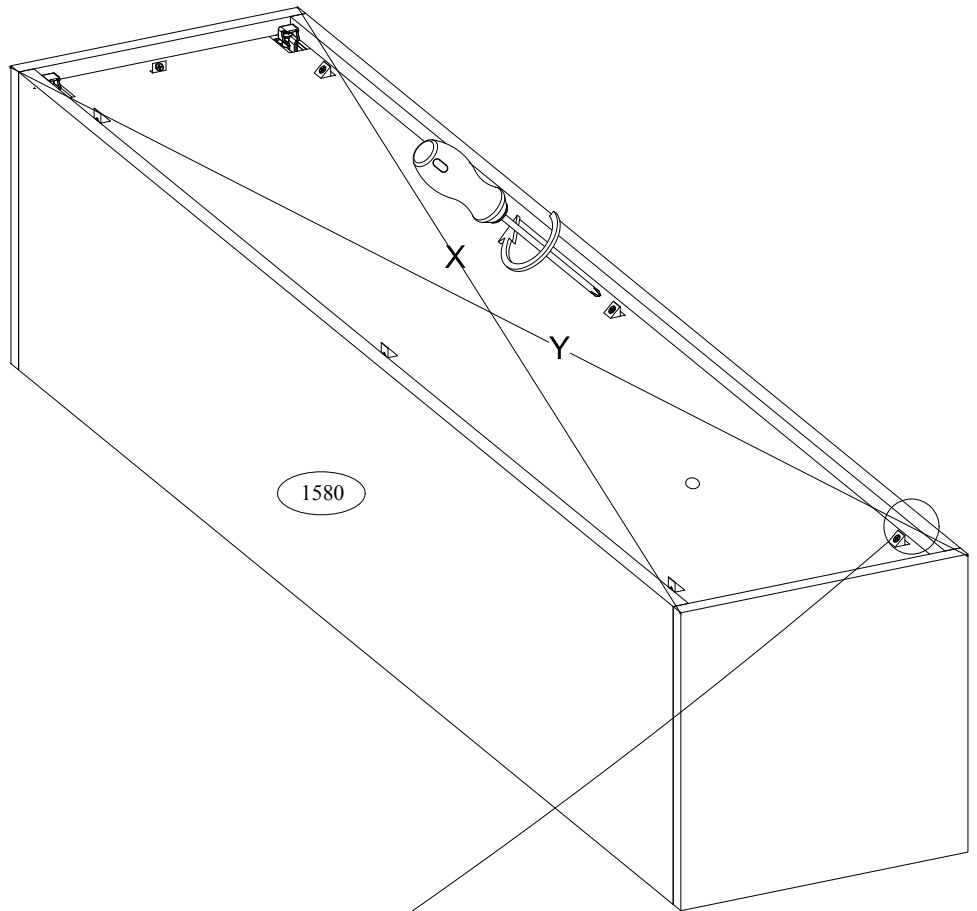
IX



X

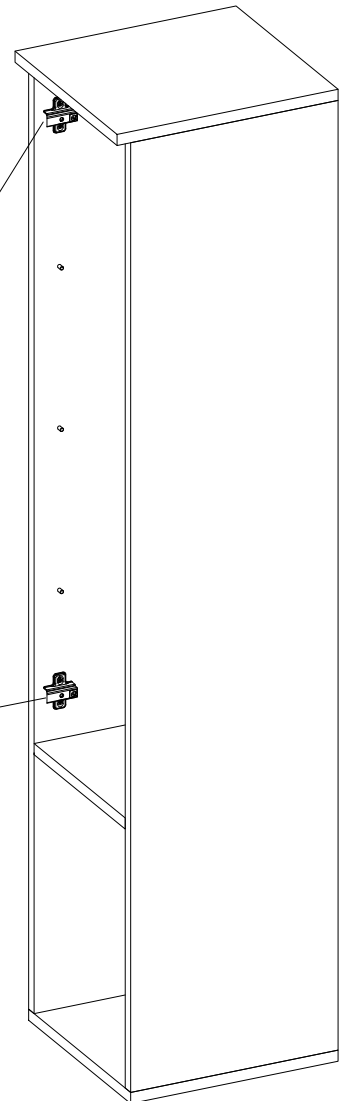
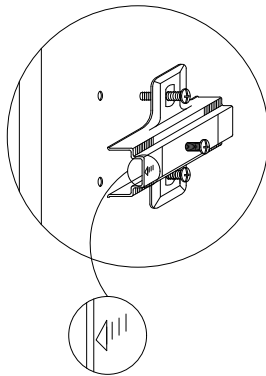
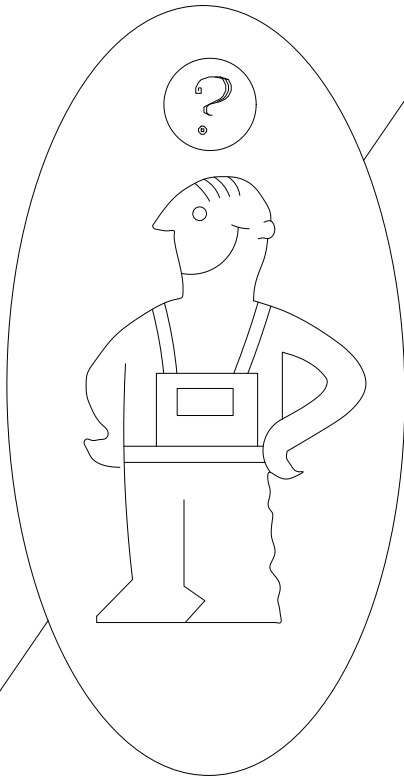
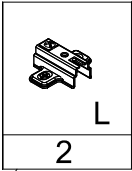
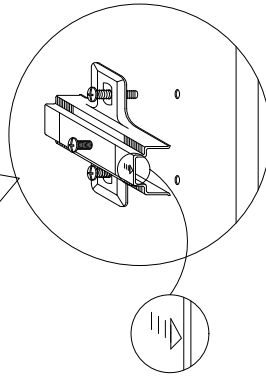
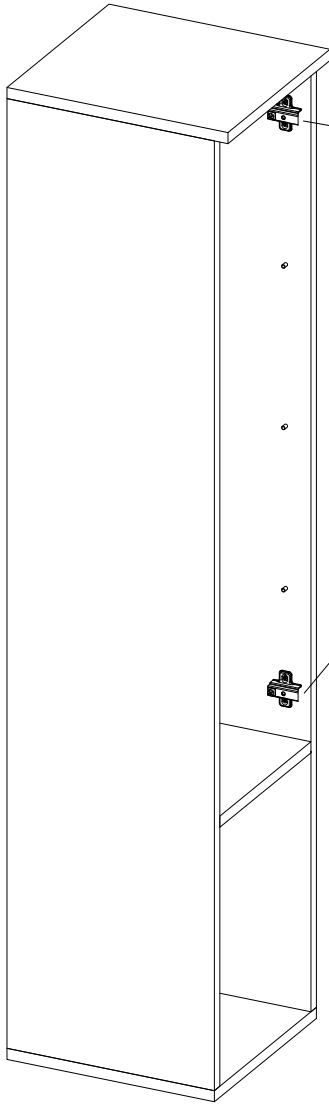
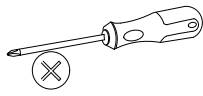


8

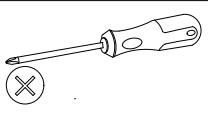


$X=Y$

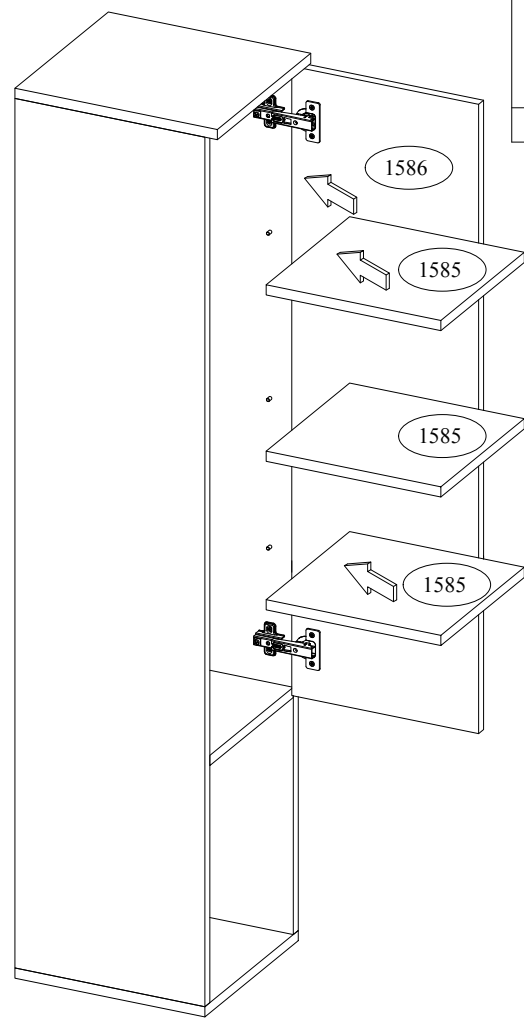
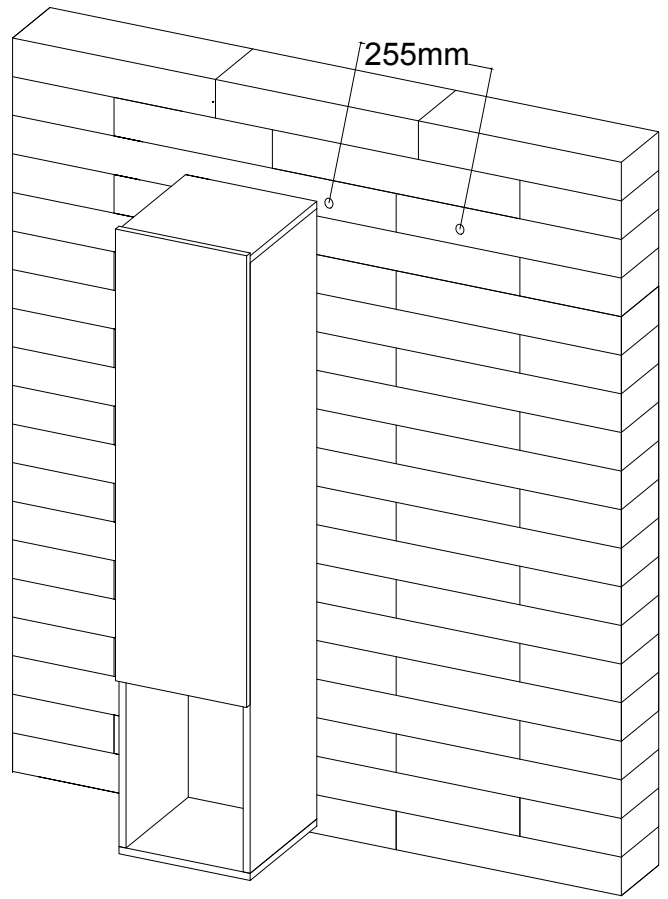
XI



XII

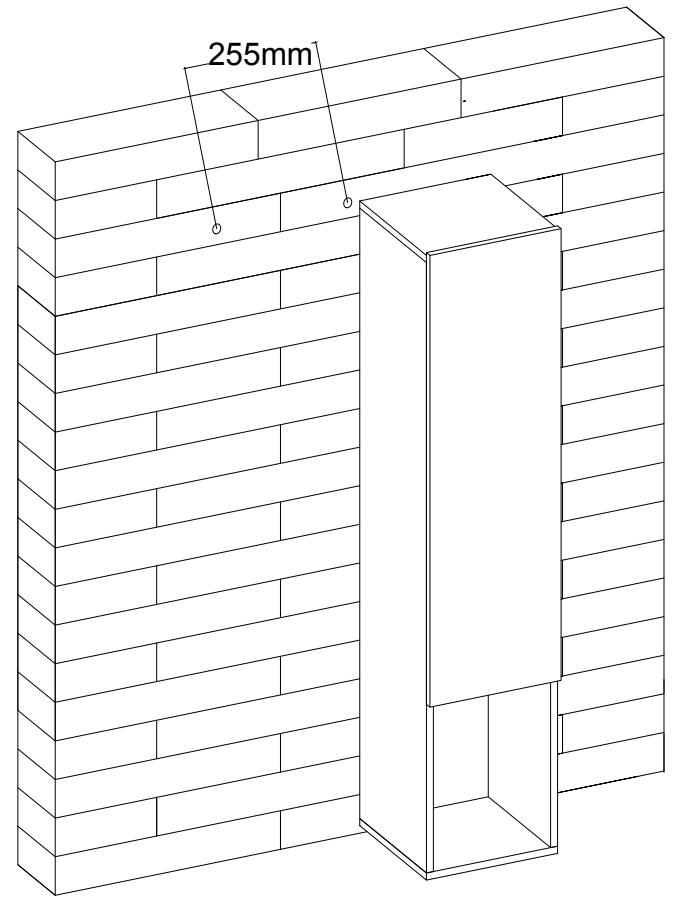
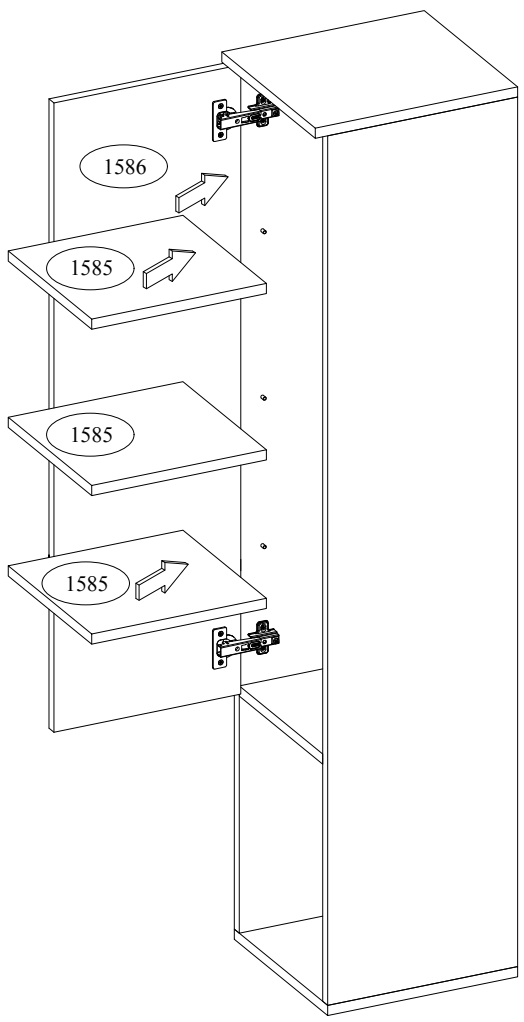


R

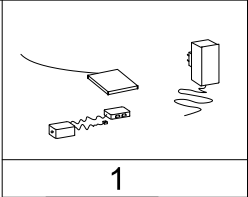
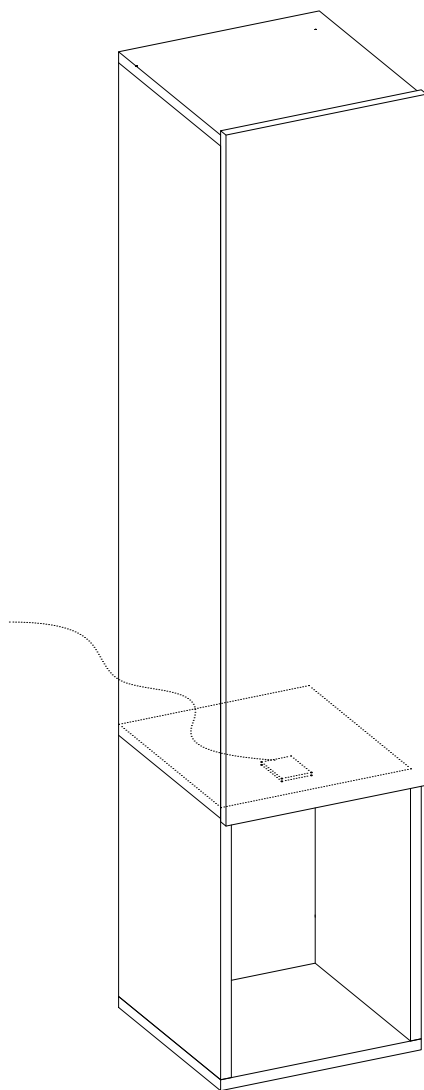


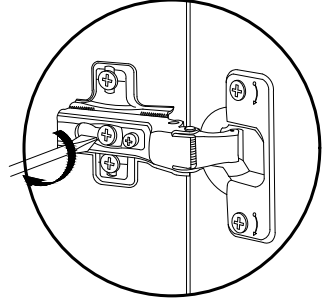
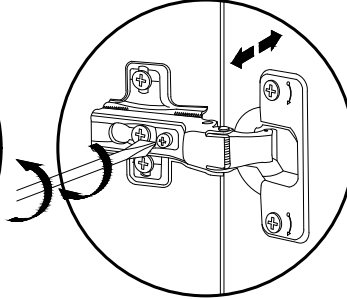
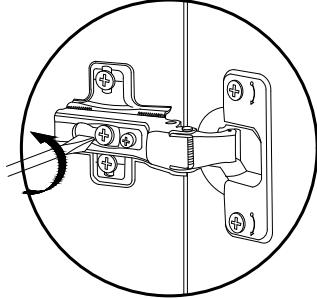
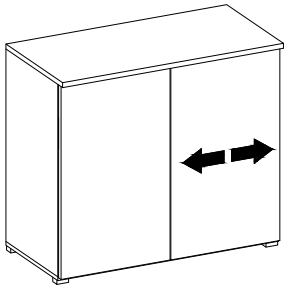
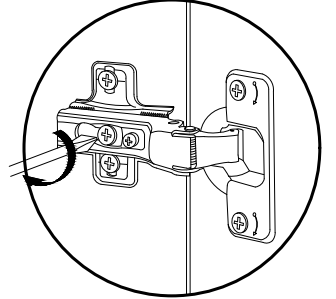
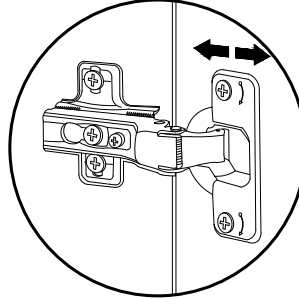
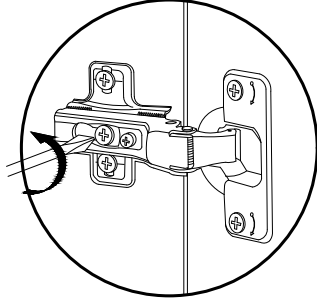
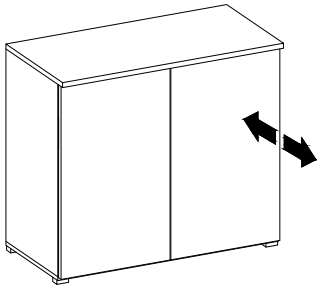
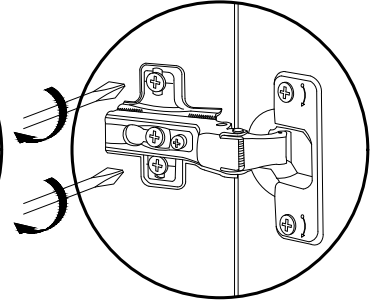
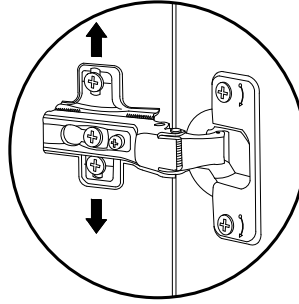
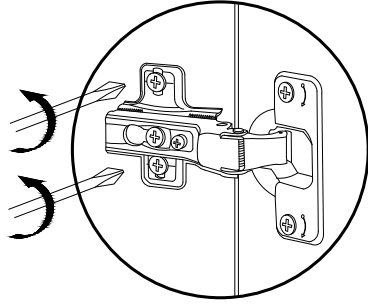
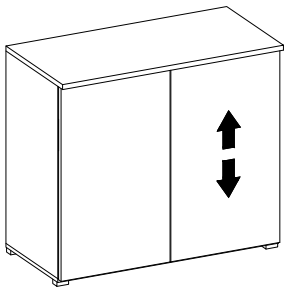
$\varnothing-10.0$			X
	KR		
2		12	

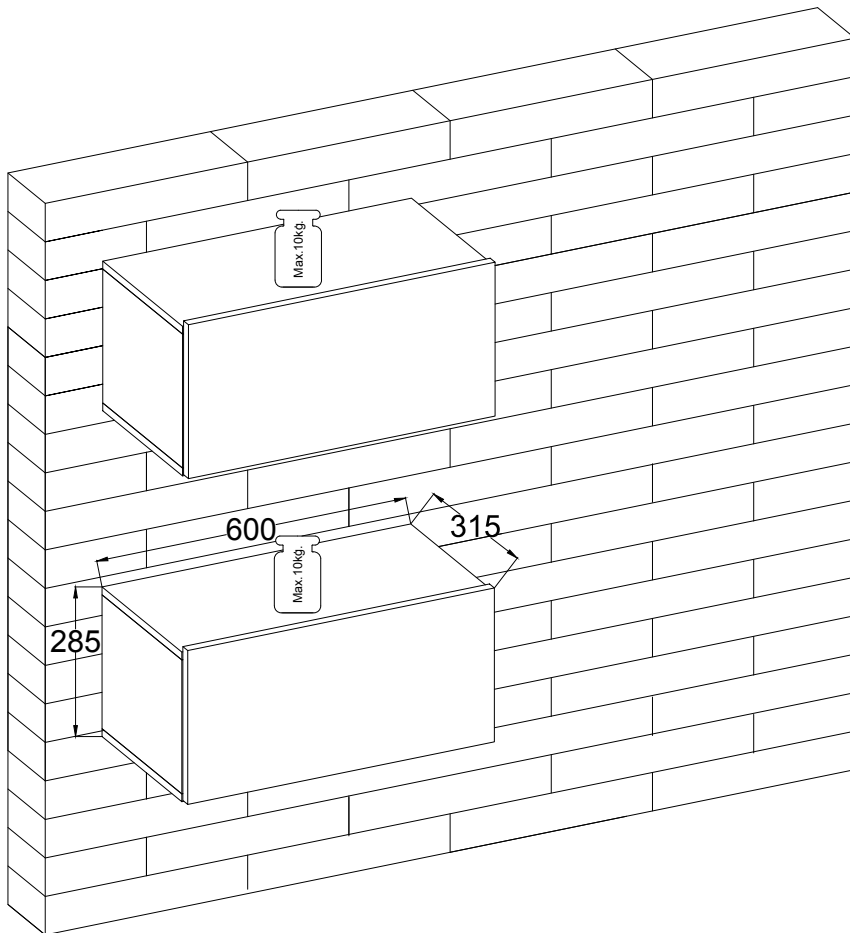
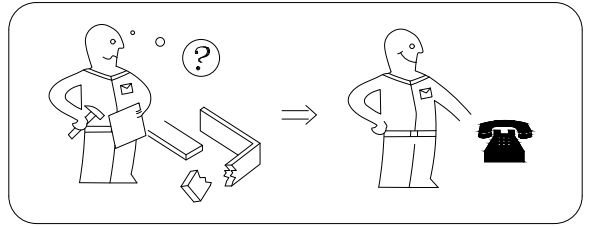
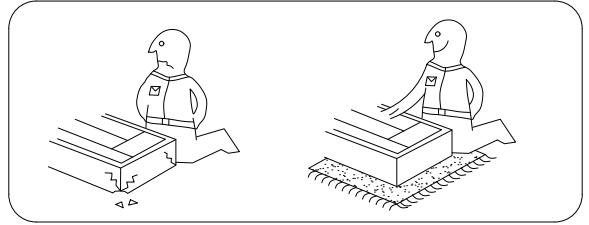
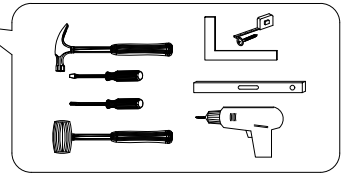
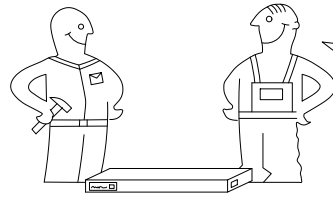
L

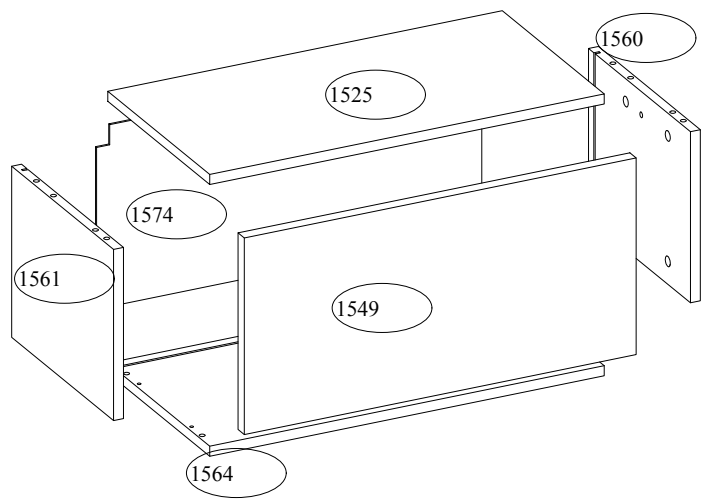
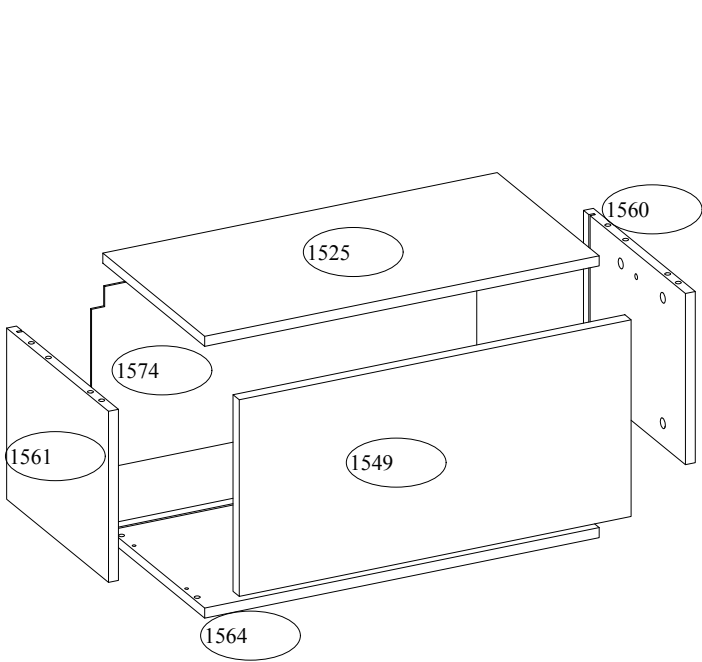
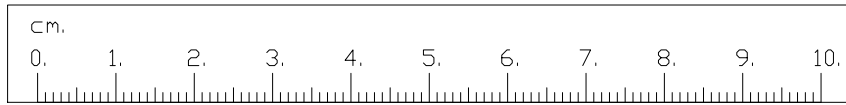
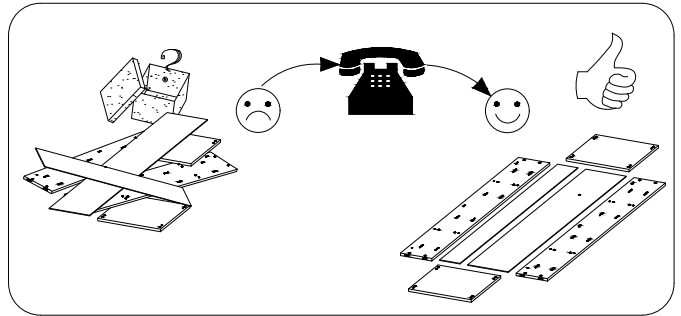
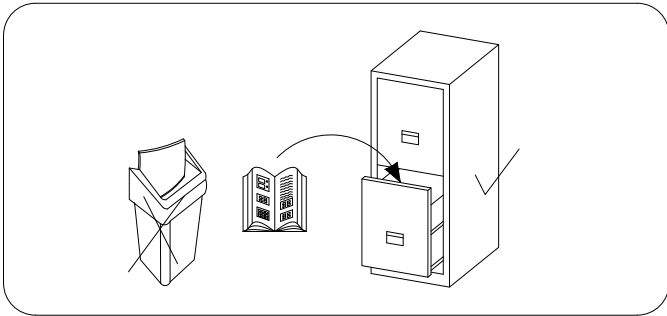


$\varnothing-10.0$			X
	KR		
2		12	

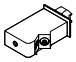



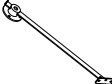
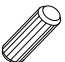







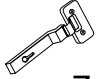








I-II

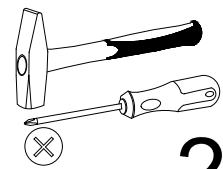
 G	4.0x30  H1	 A	3.0x13  H	 Q	8.0x30  D	 B	 L
4	8	16	12	4	16	16	4

III-VI

6.3X13  F	 Z	 X
8	4	16

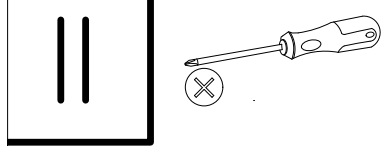
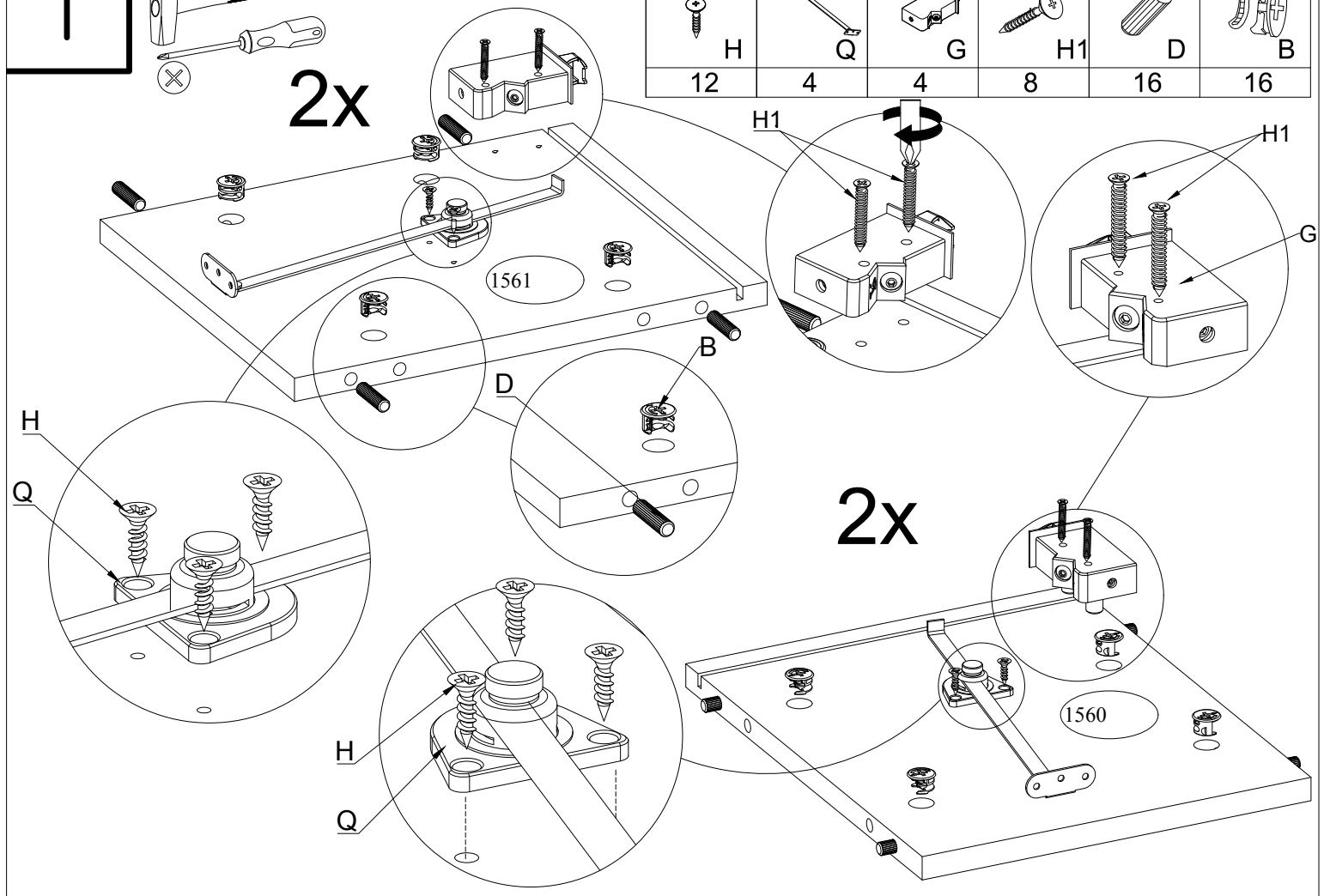
VII-IX

 I	3.0x13  H	Ø-10.0  KR
8	12	4



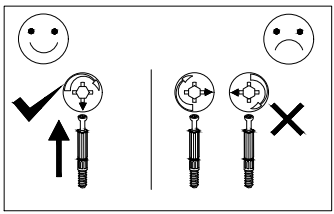
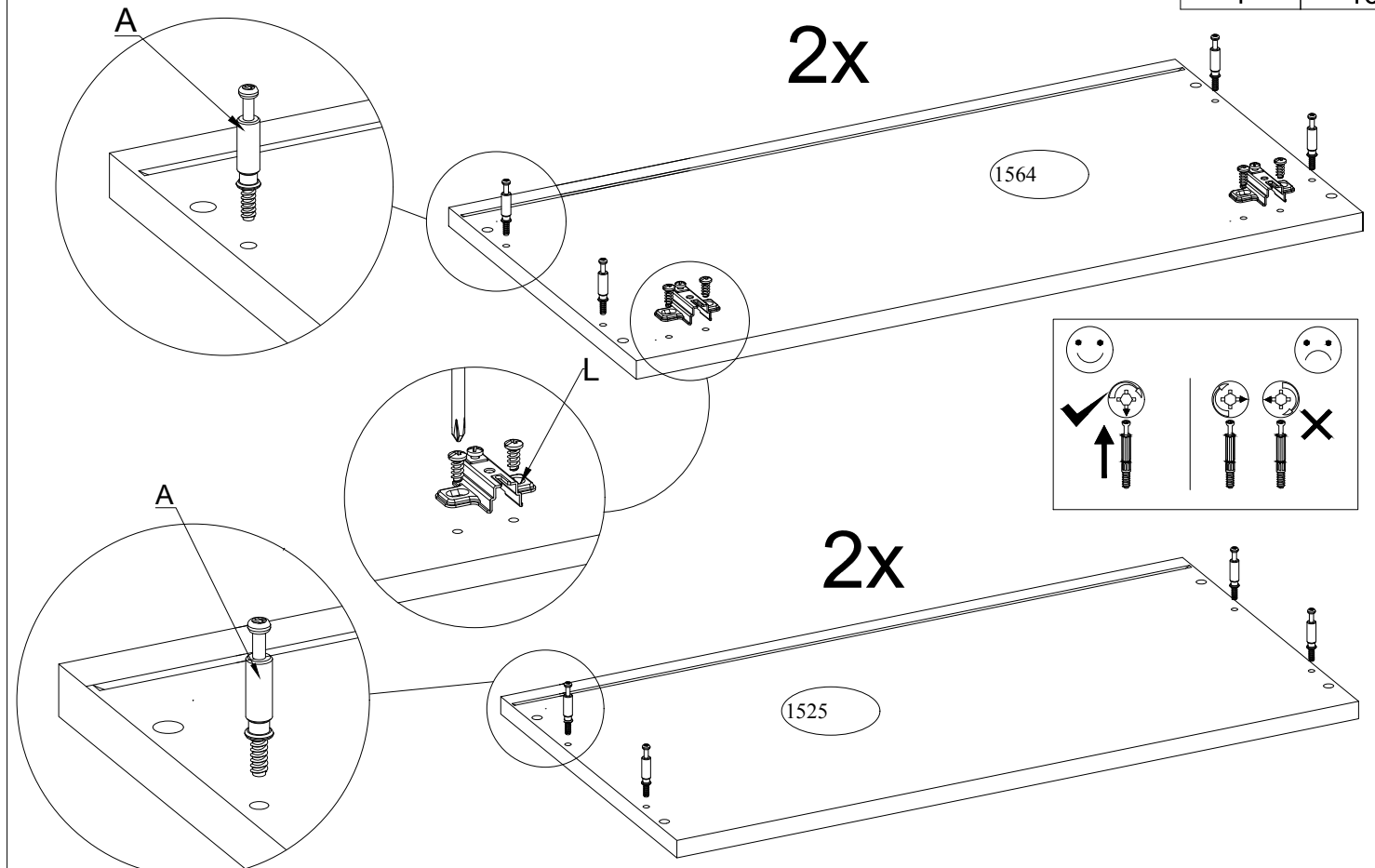
3.0x13 H 12	Q 4	G 4	4.0x30 H1 8	8.0x30 D 16	B 16
-------------------	--------	--------	-------------------	-------------------	---------

2x

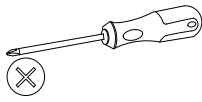
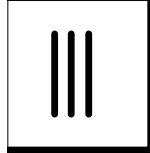



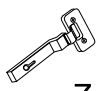
L 4	A 16
--------	---------

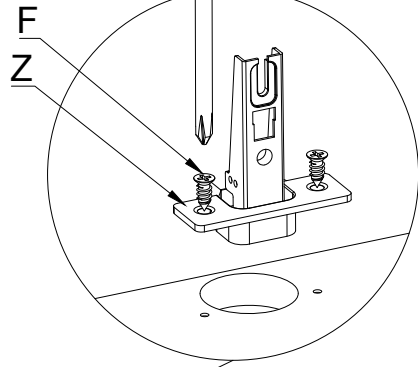
2x



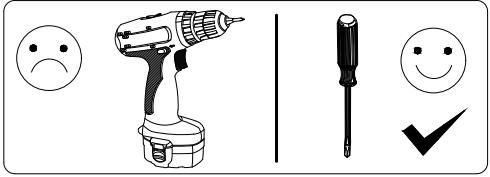
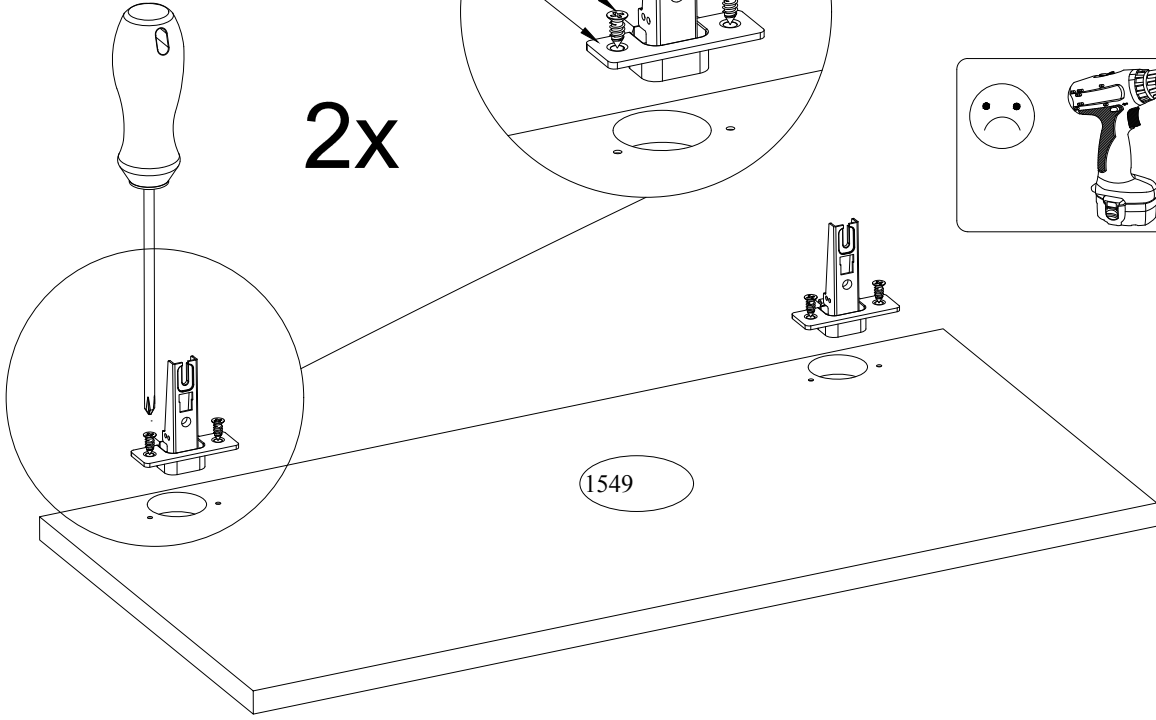
2x



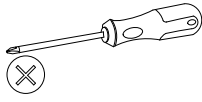
6.3X13	
	
F	Z
8	4



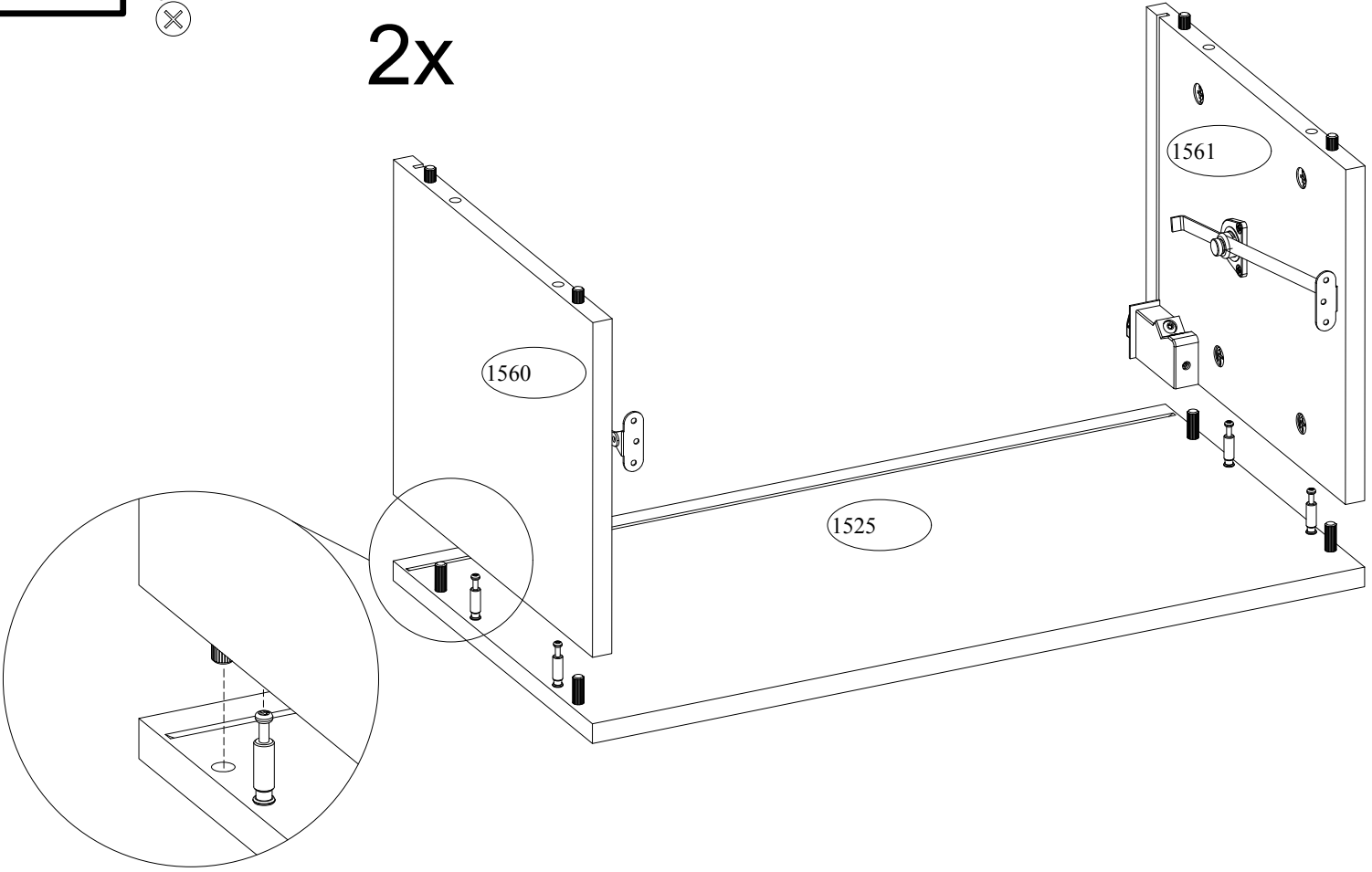
2x



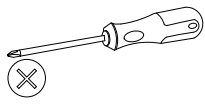
IV



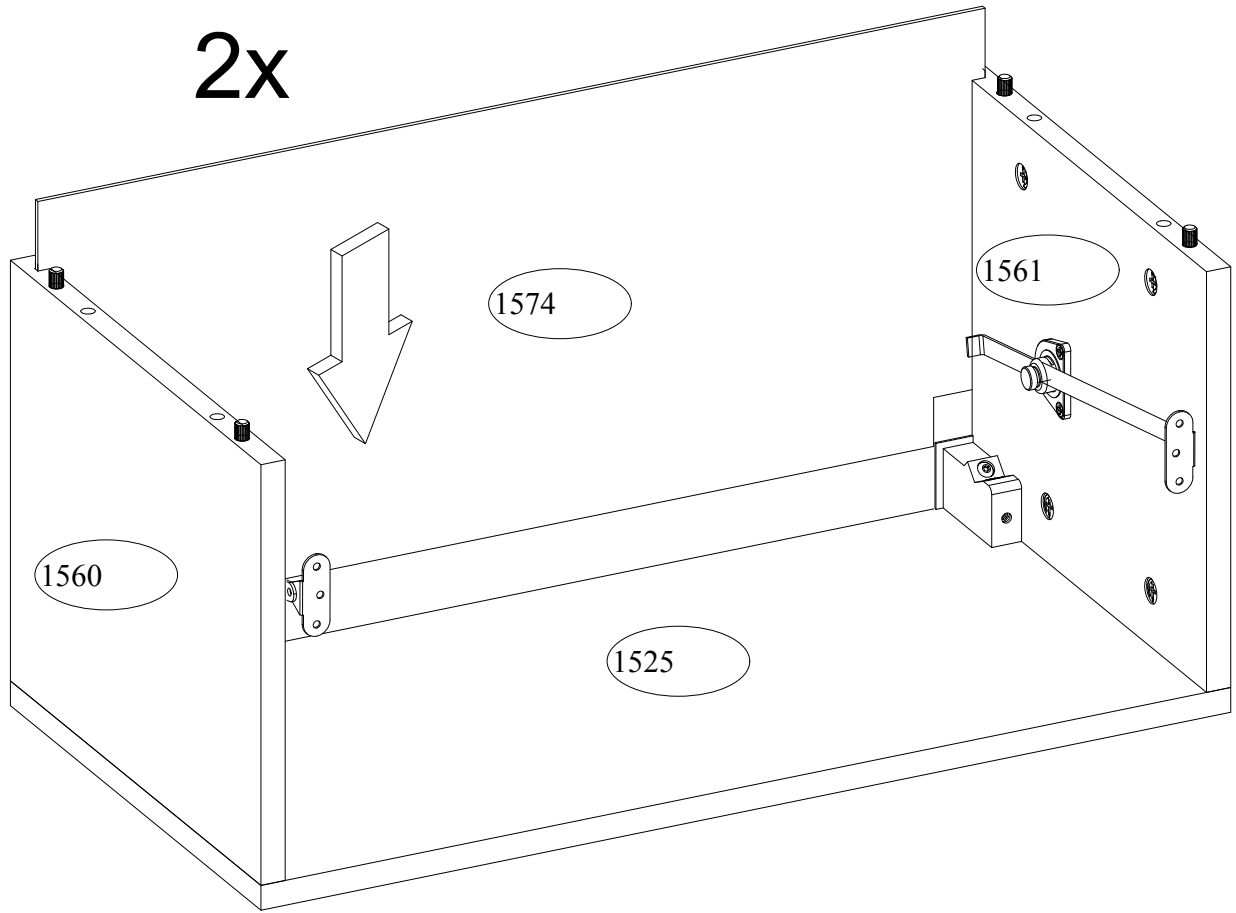
2x



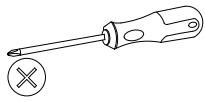
V



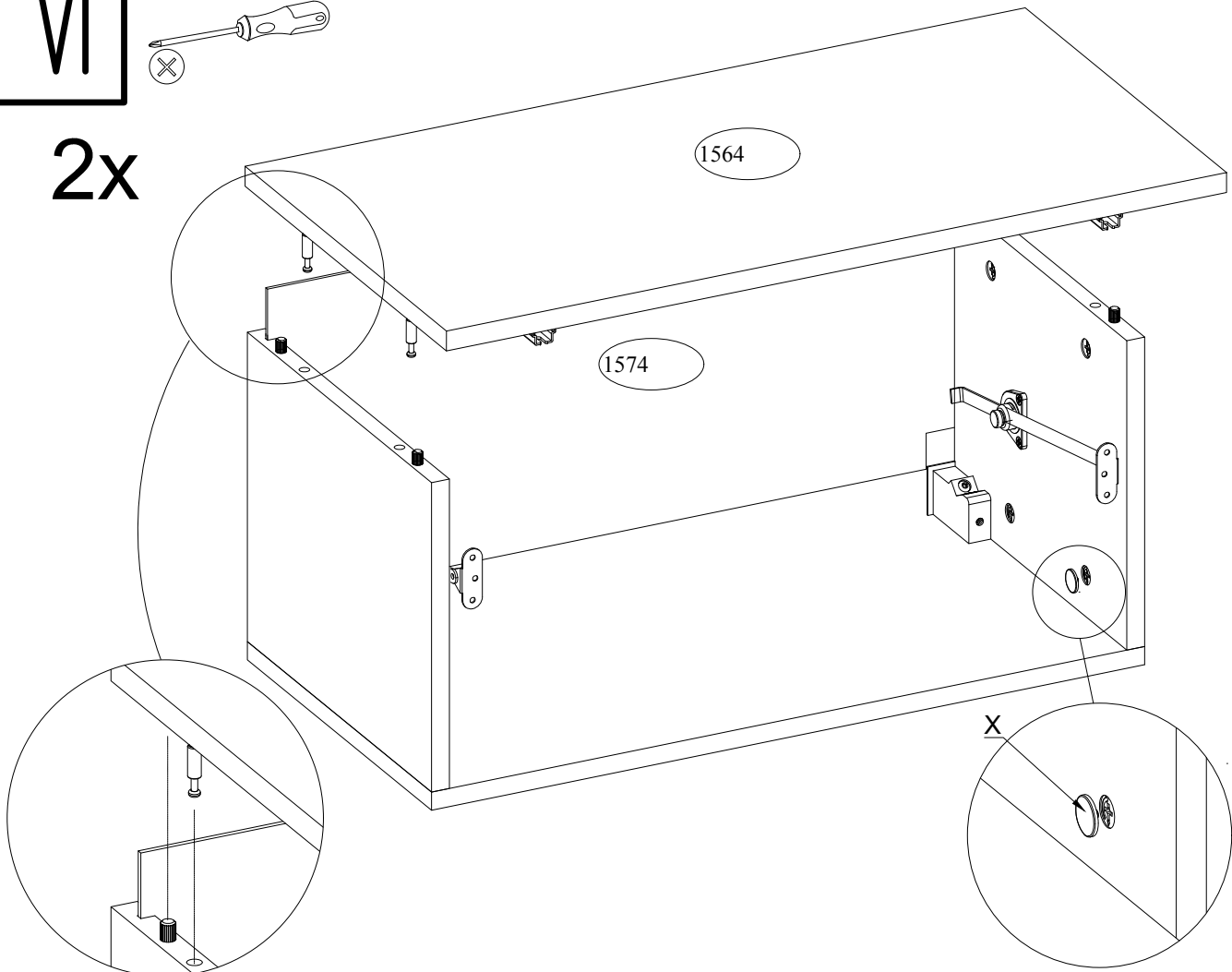
2x




VI

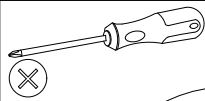


2x

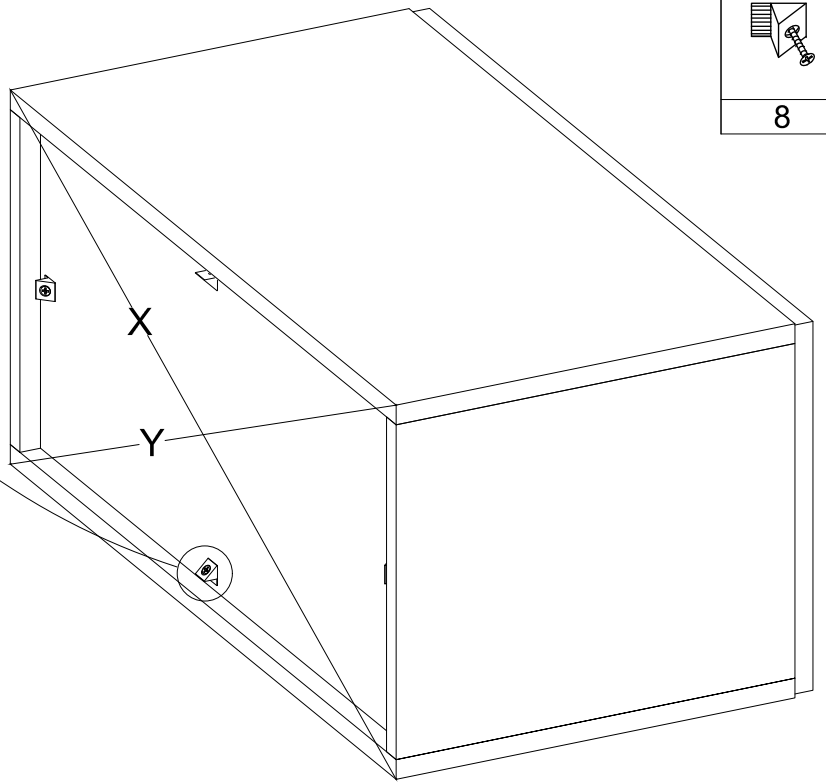
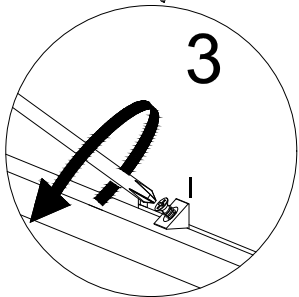
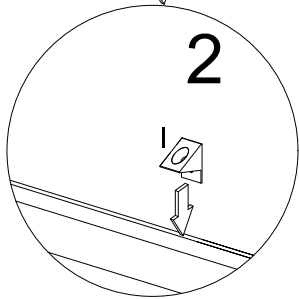
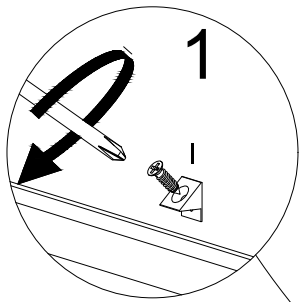



X
16

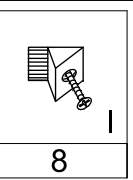
VII



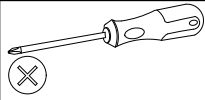
2x



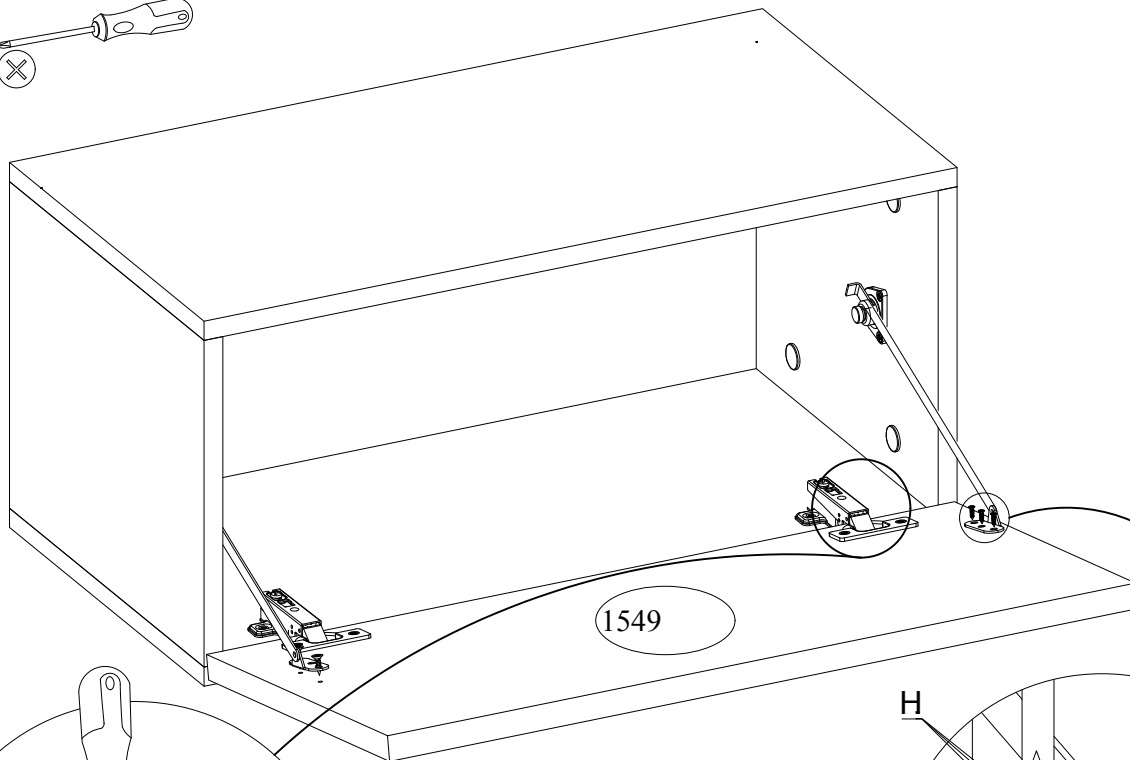
X=Y



VIII



2x

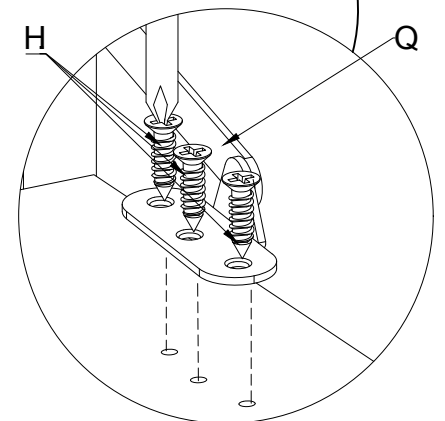
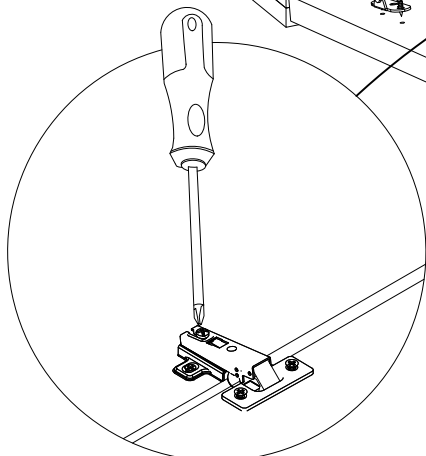


3.0x13

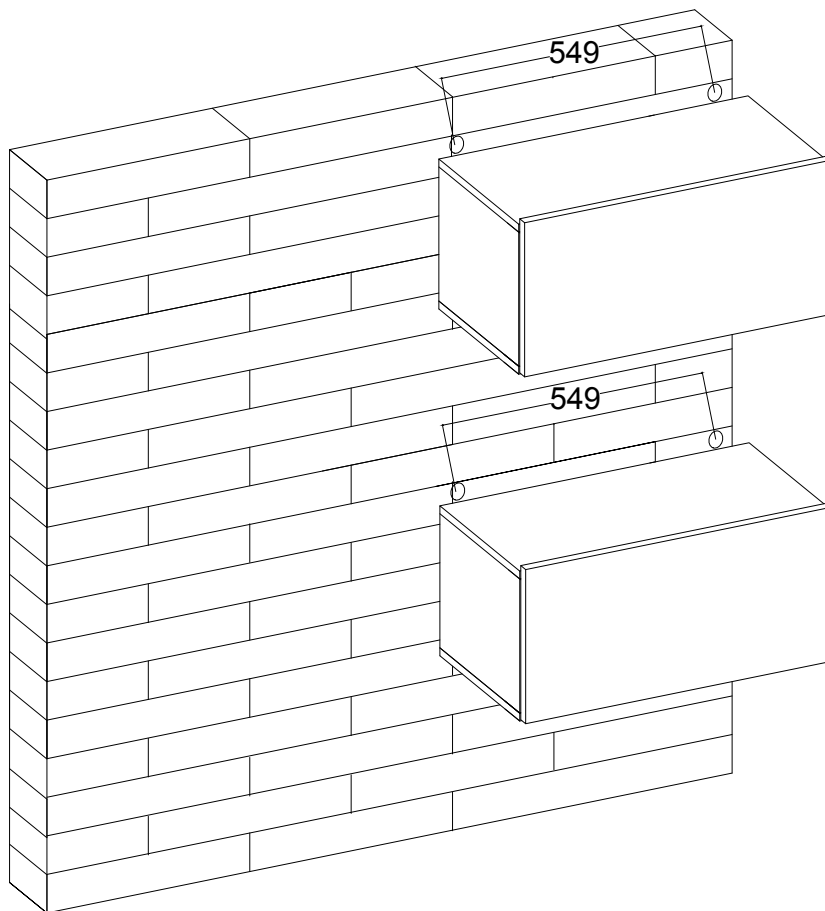


H

12



IX

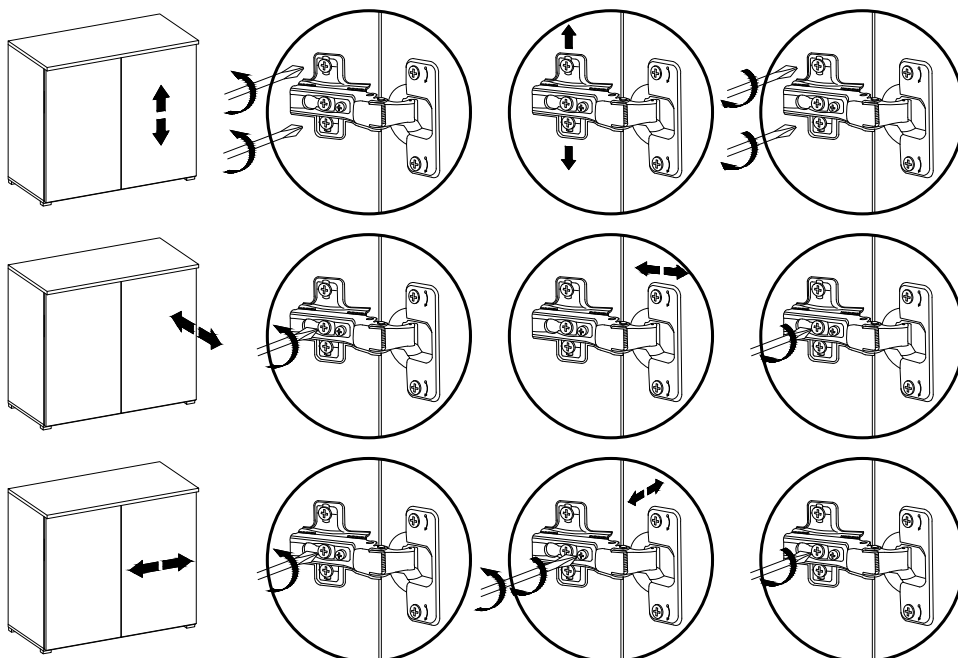


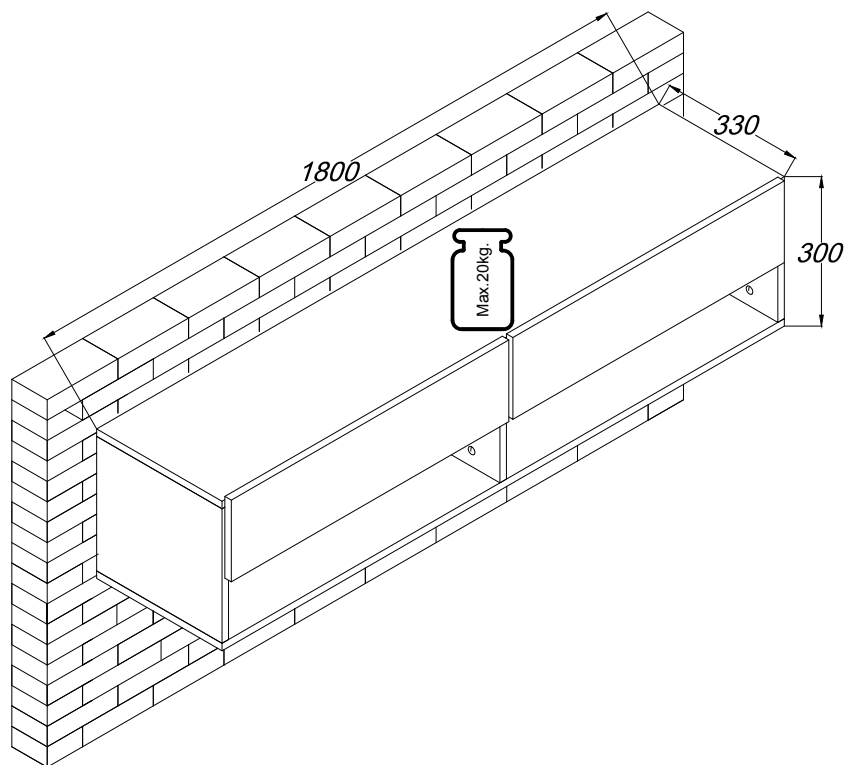
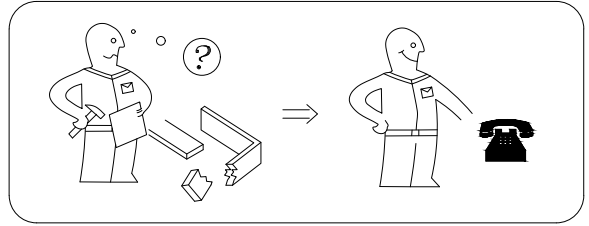
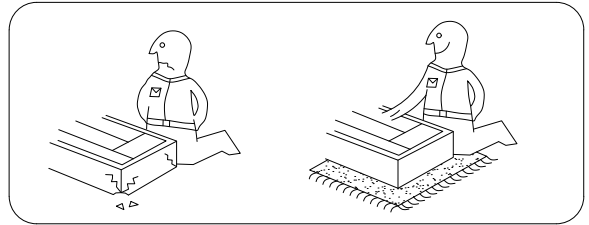
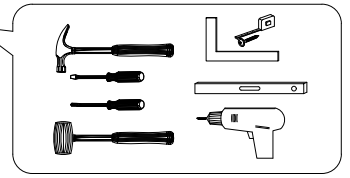
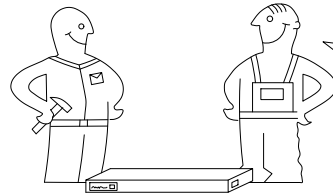
Ø-10.0

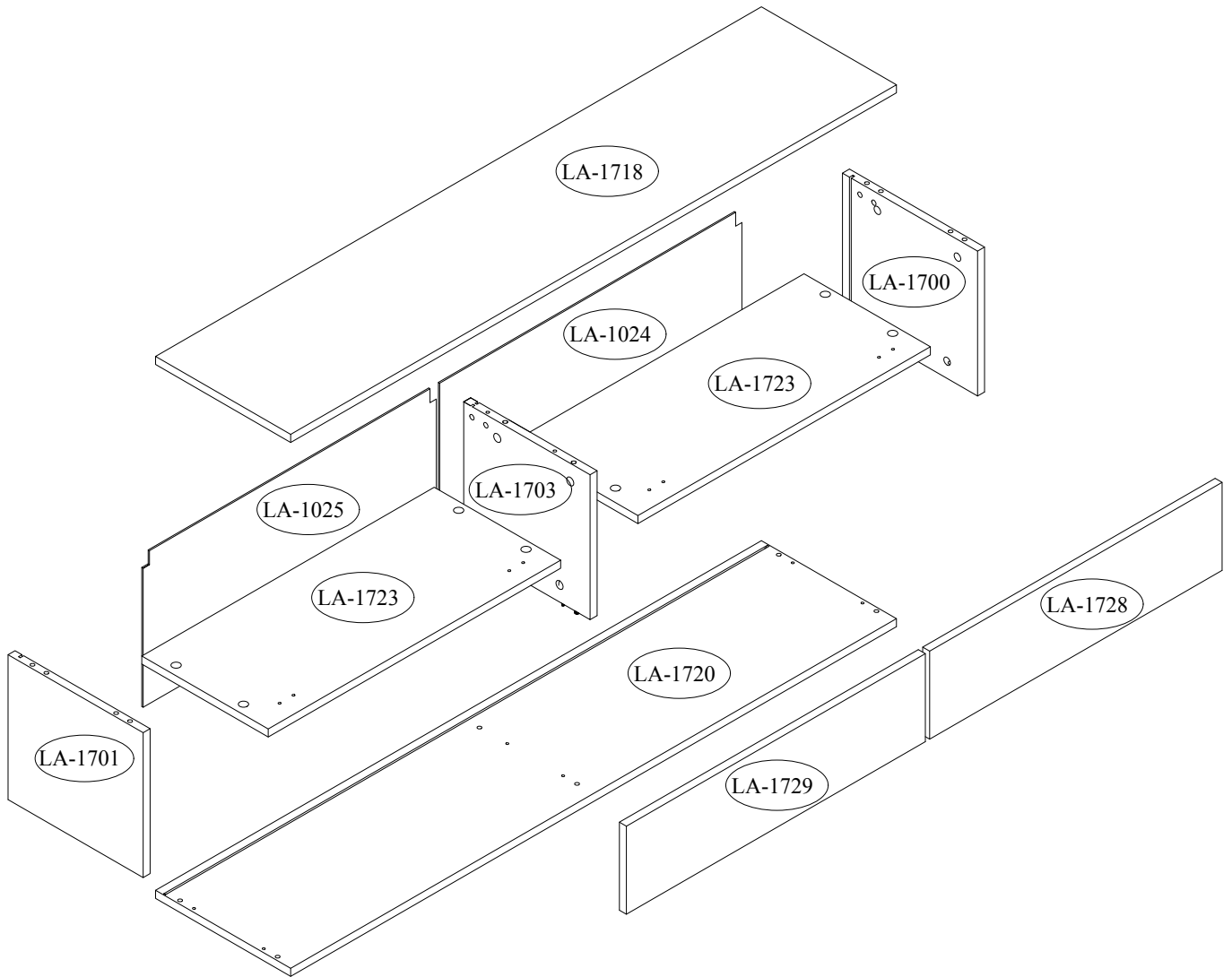
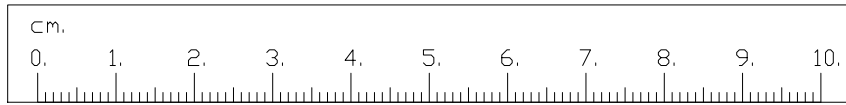
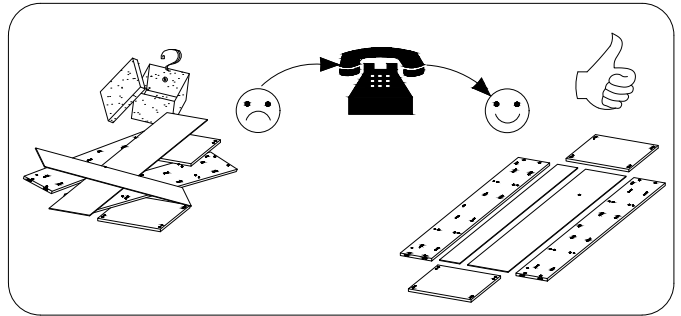
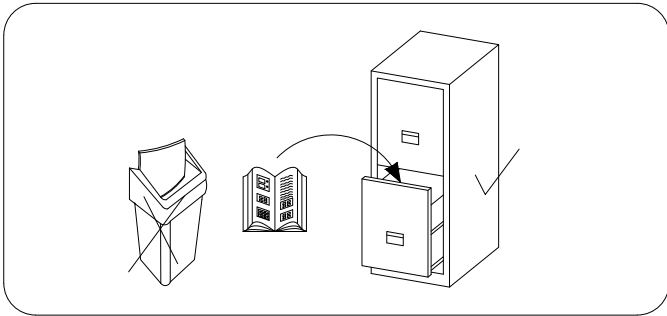


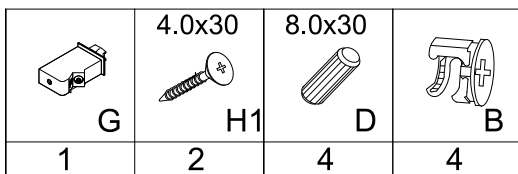
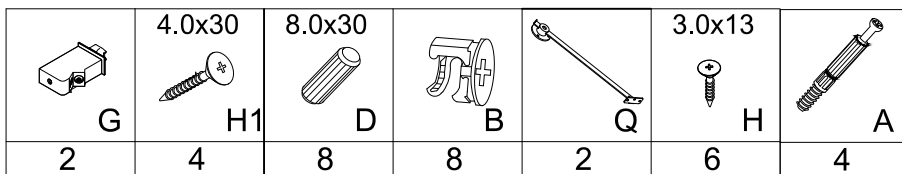
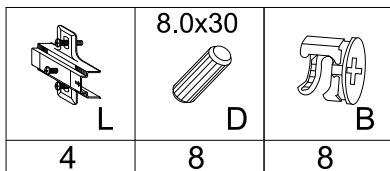
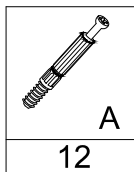
4

X

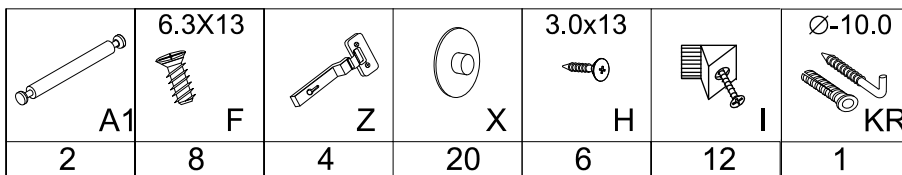


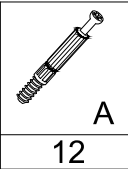
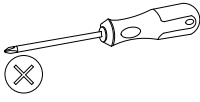






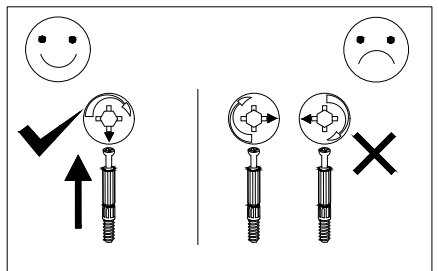
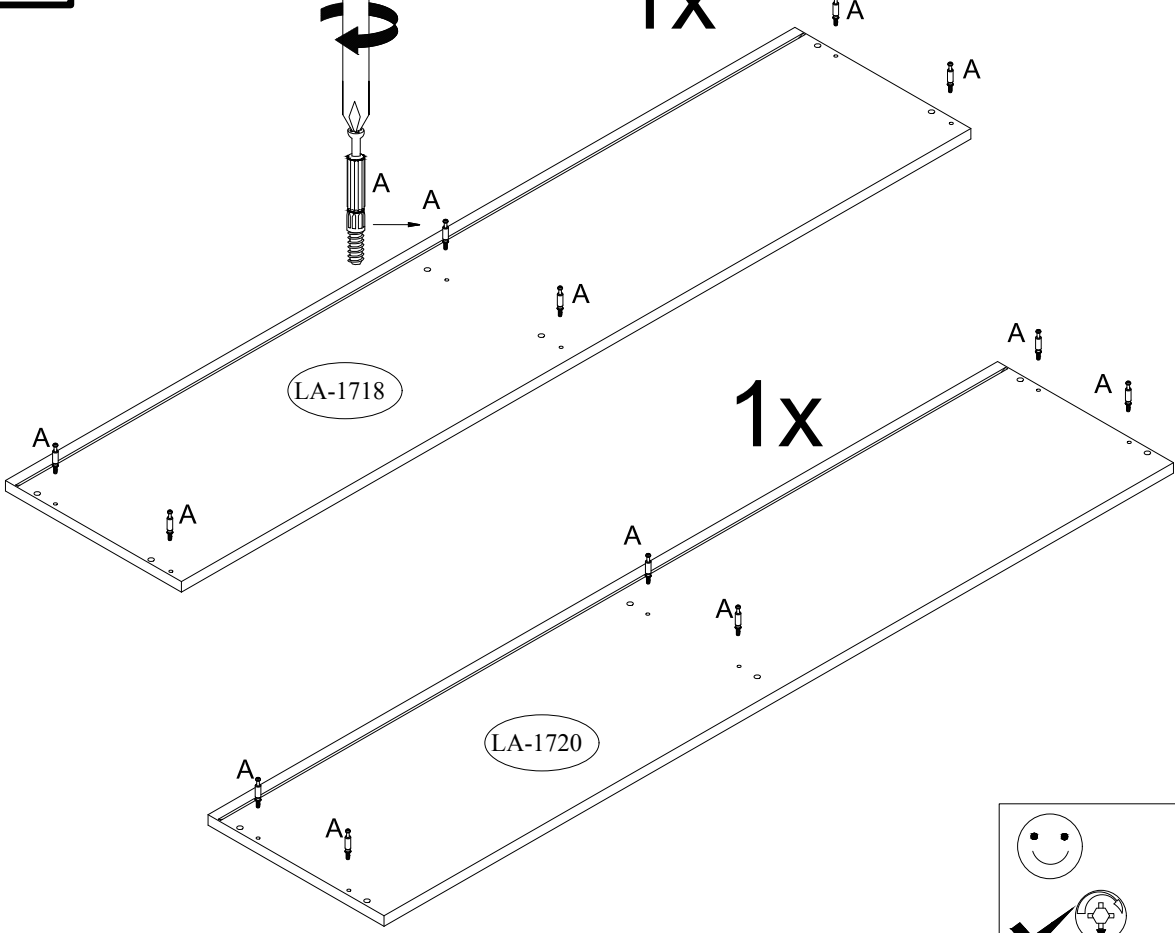
V-VIII-IX-X-XI



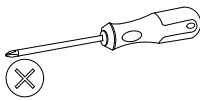


1x

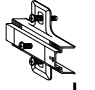


1x

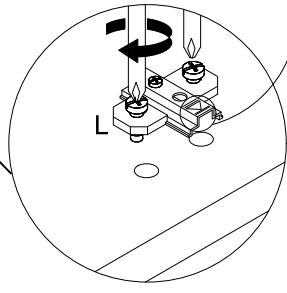
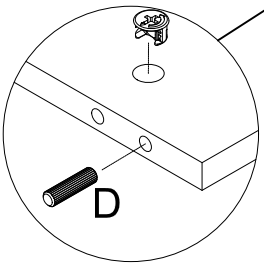
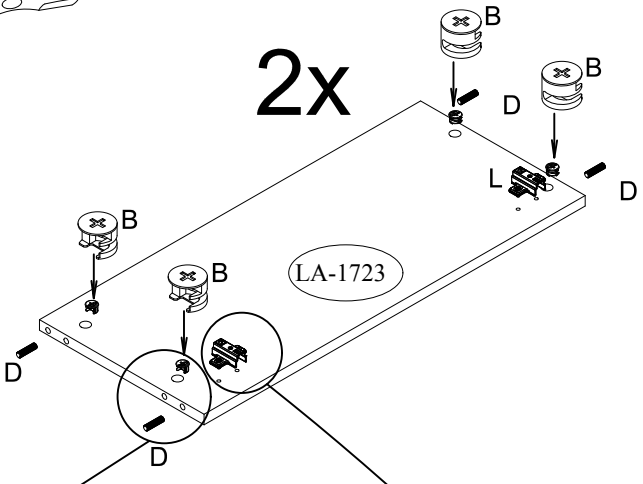


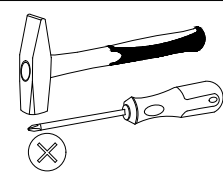
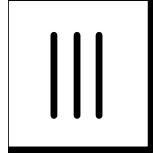
II



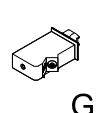
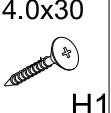




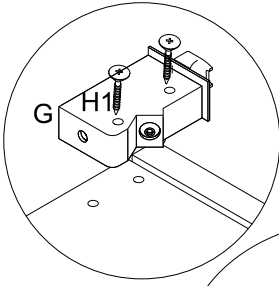
2x

	8.0x30 	
L	D	B
4	8	8

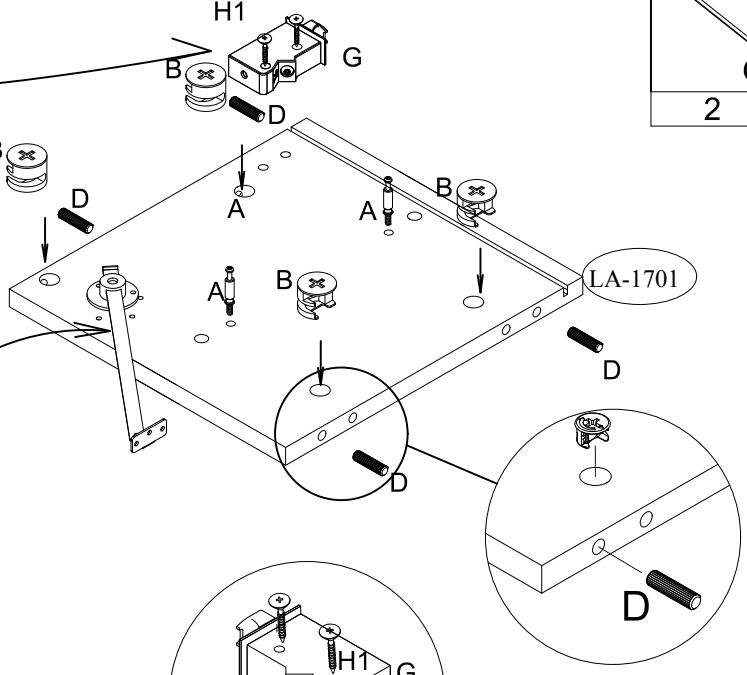
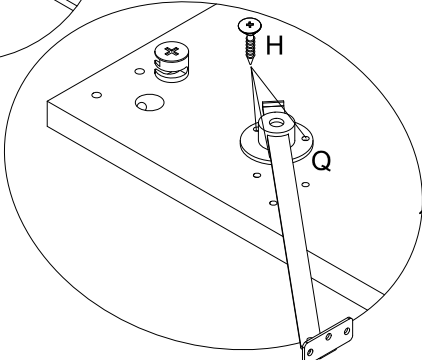




	3.0x13 		4.0x30 	8.0x30 	
A	H	G	H1	D	B
4	6	2	4	8	8

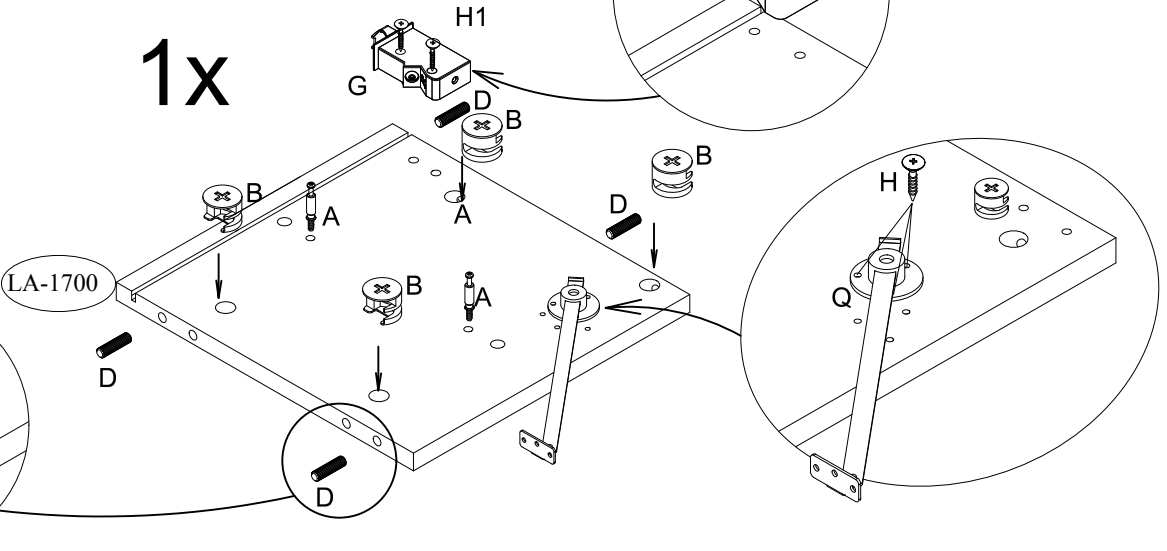
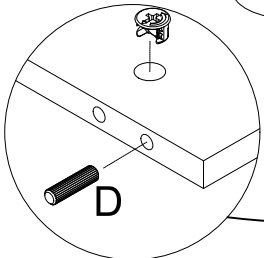


1x

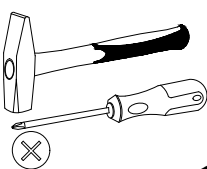


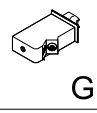
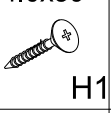
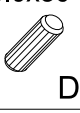
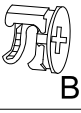
2

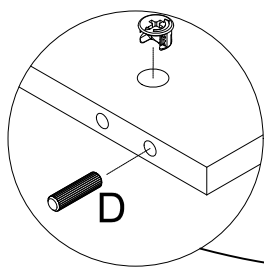
1x



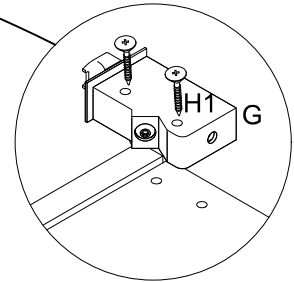
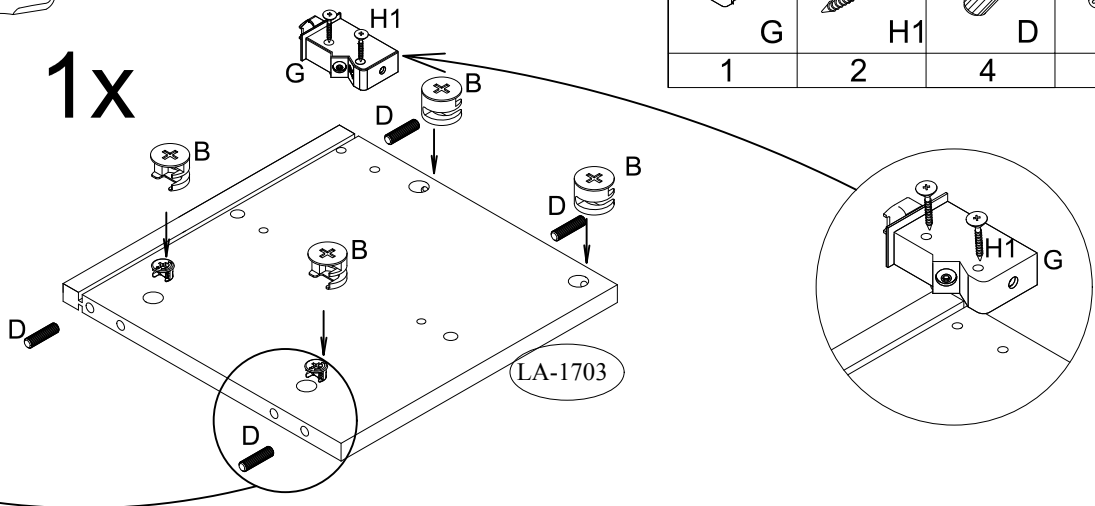
IV



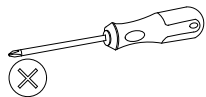
	4.0x30 	8.0x30 	
G	H1	D	B
1	2	4	4



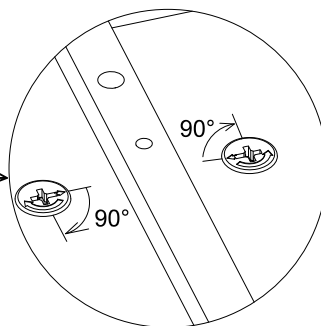
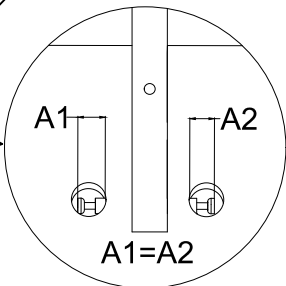
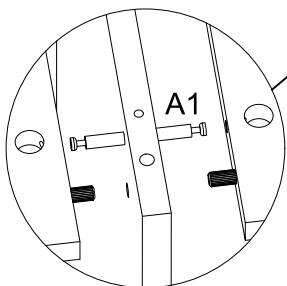
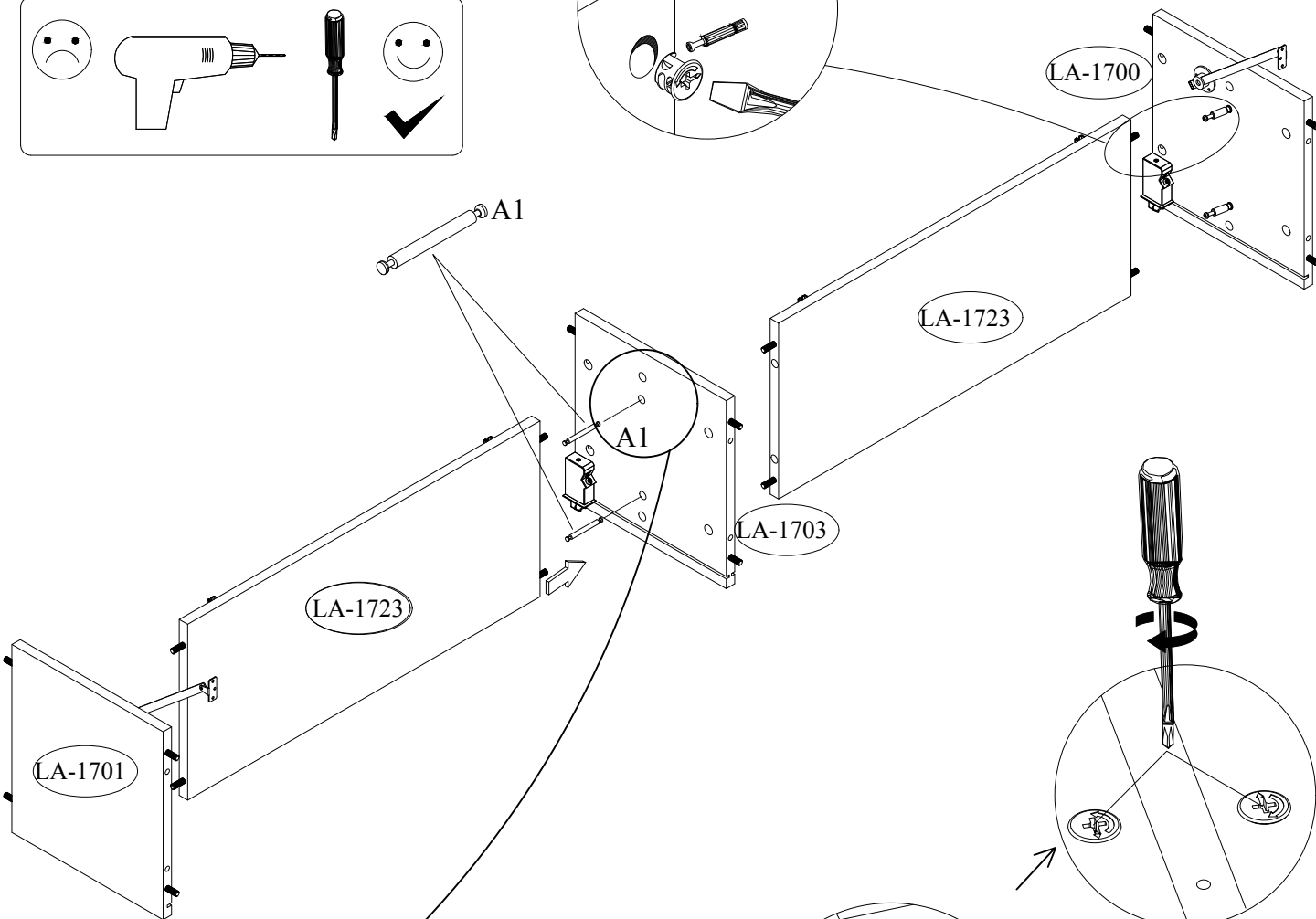
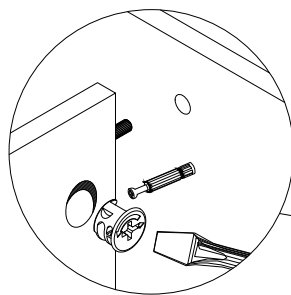
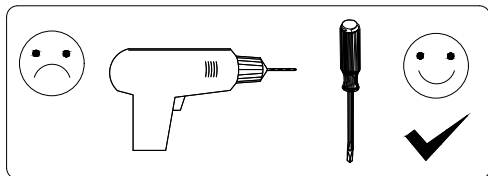
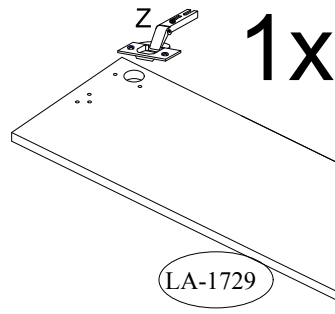
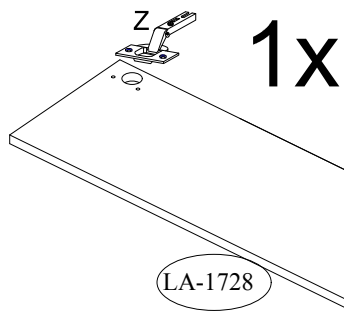
1x



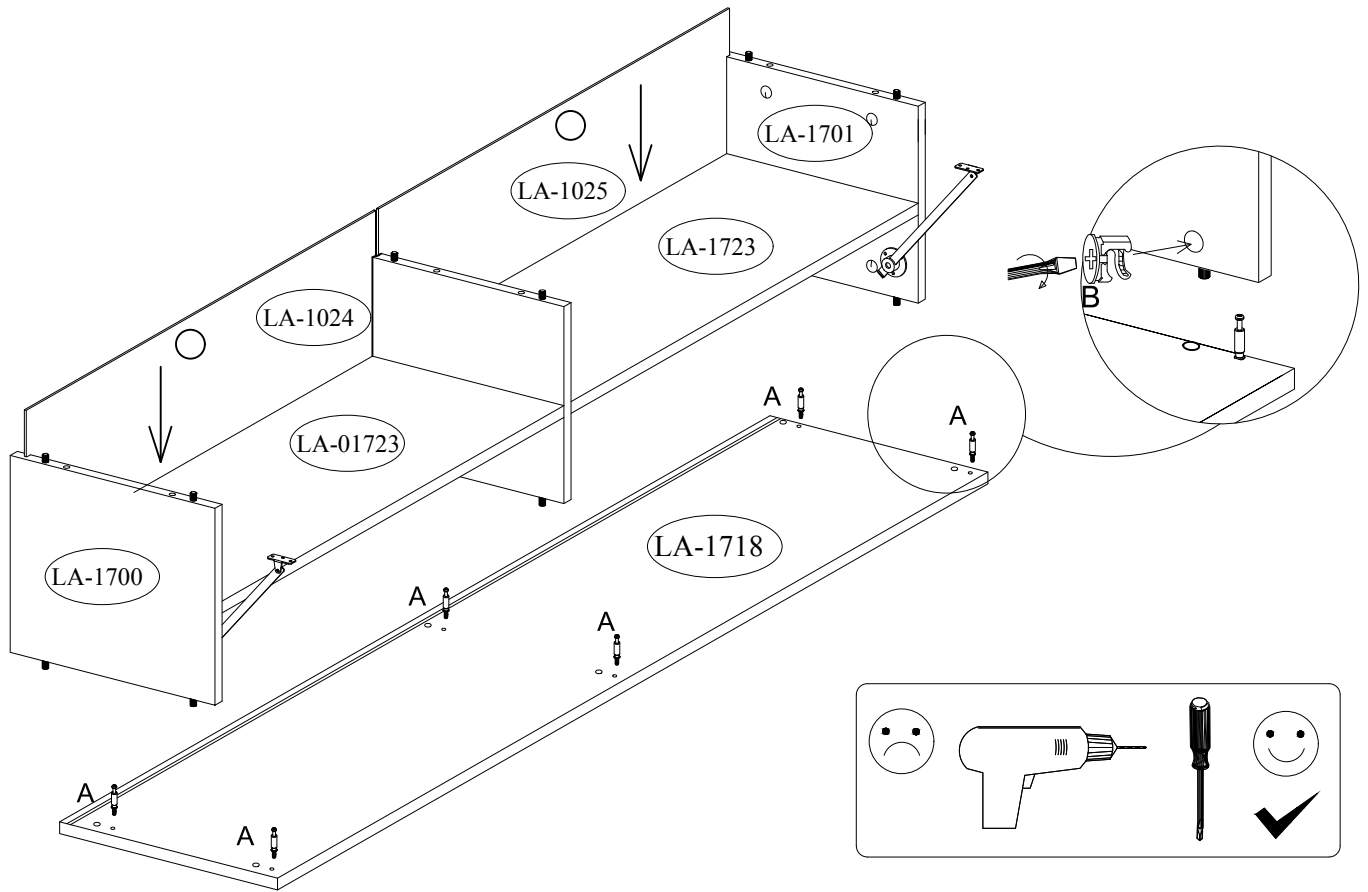
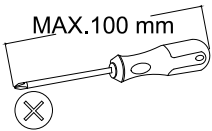
V



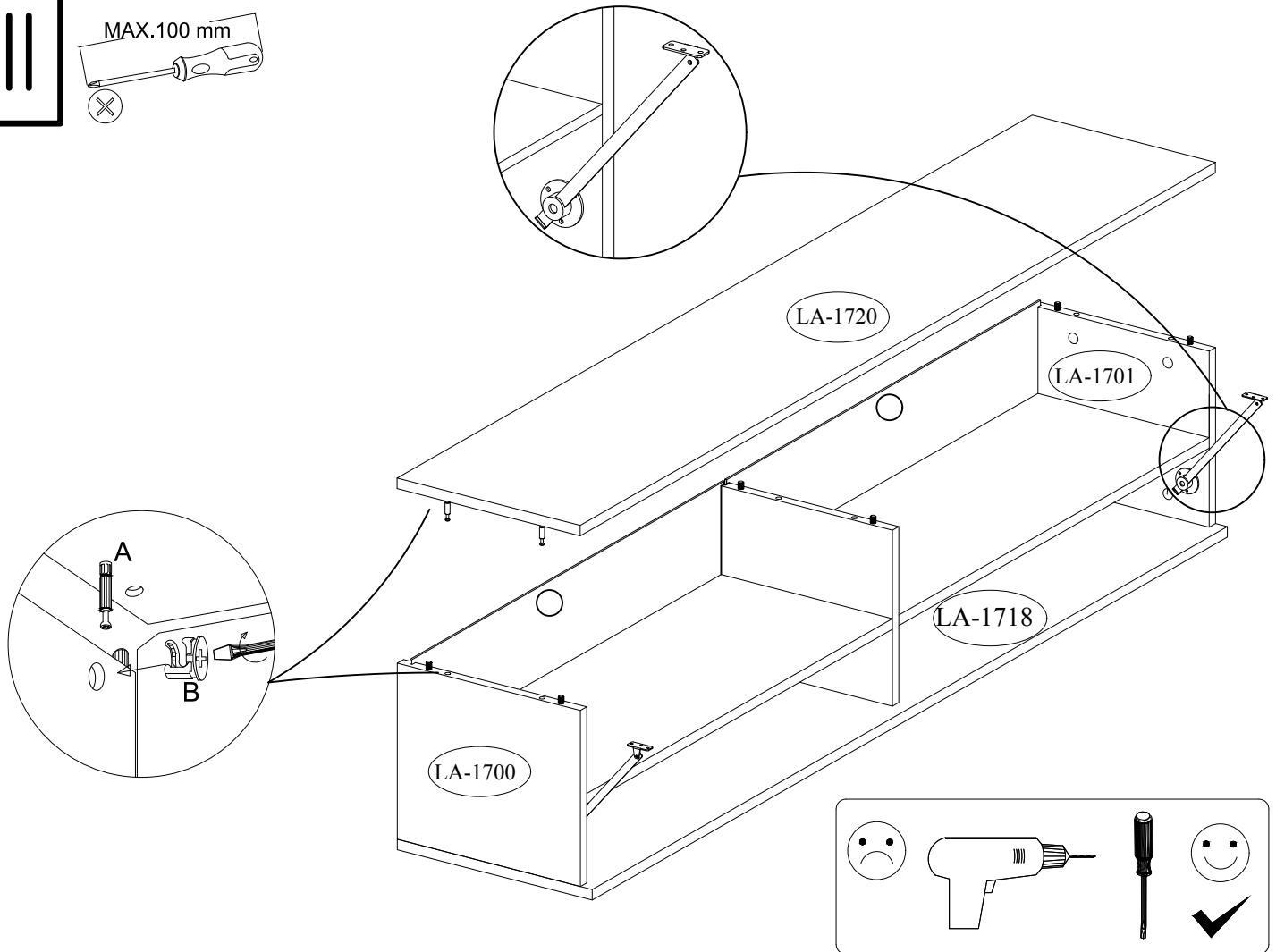
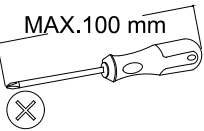
	6.3X13 	
A1	F	Z
2	8	4



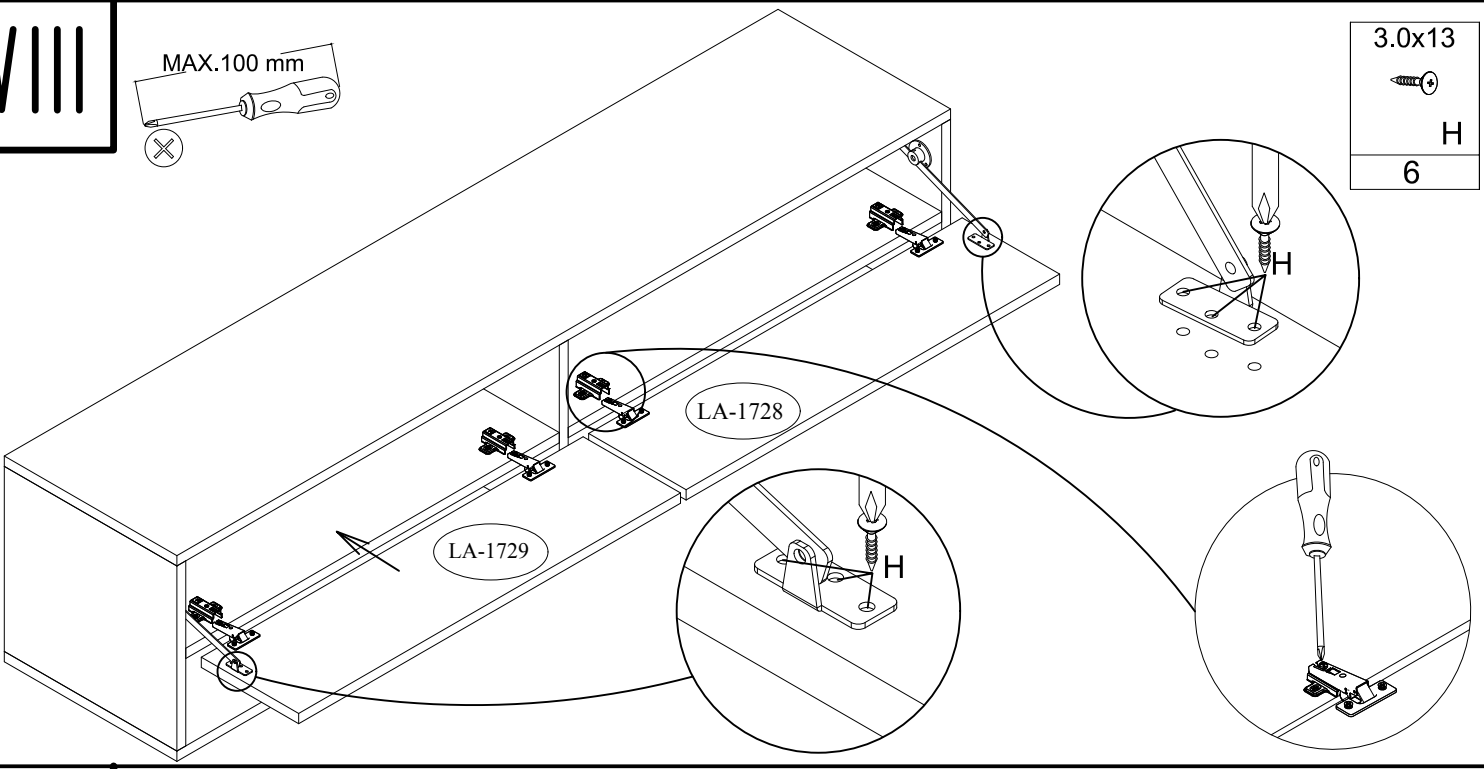
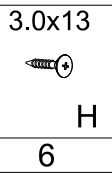
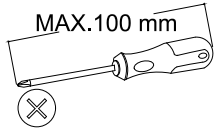
VI



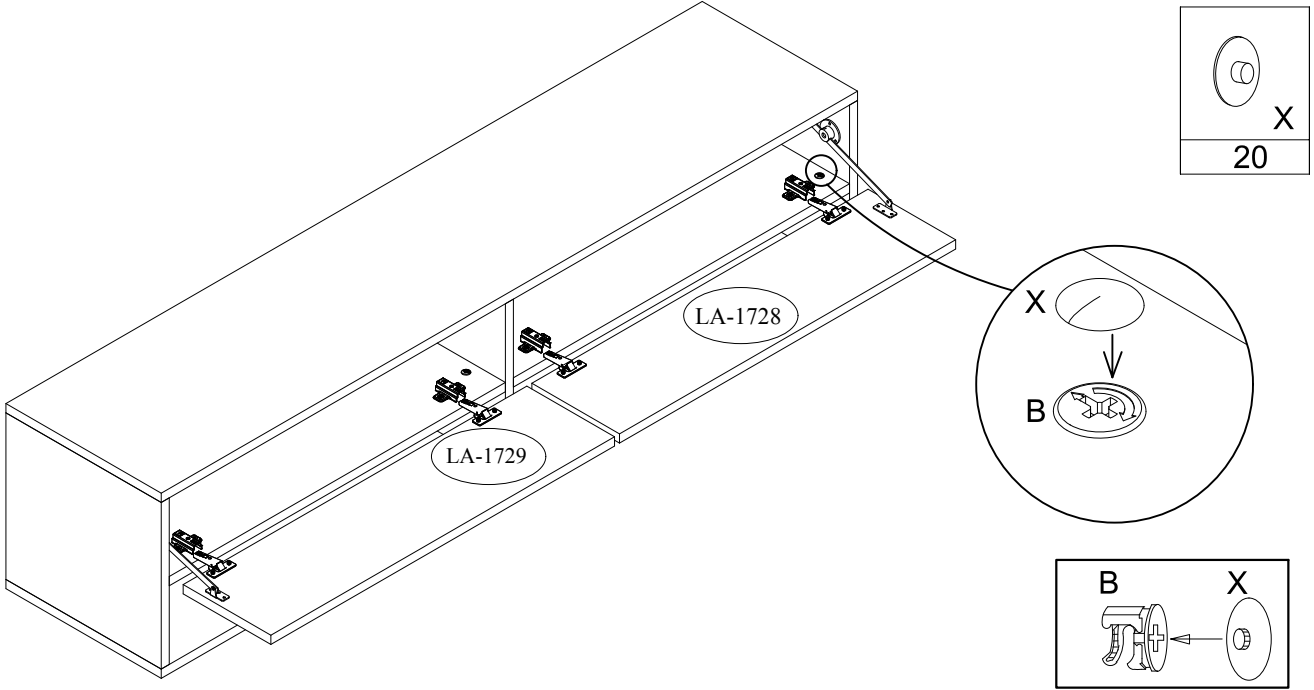
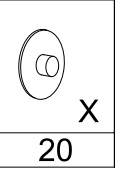
VII



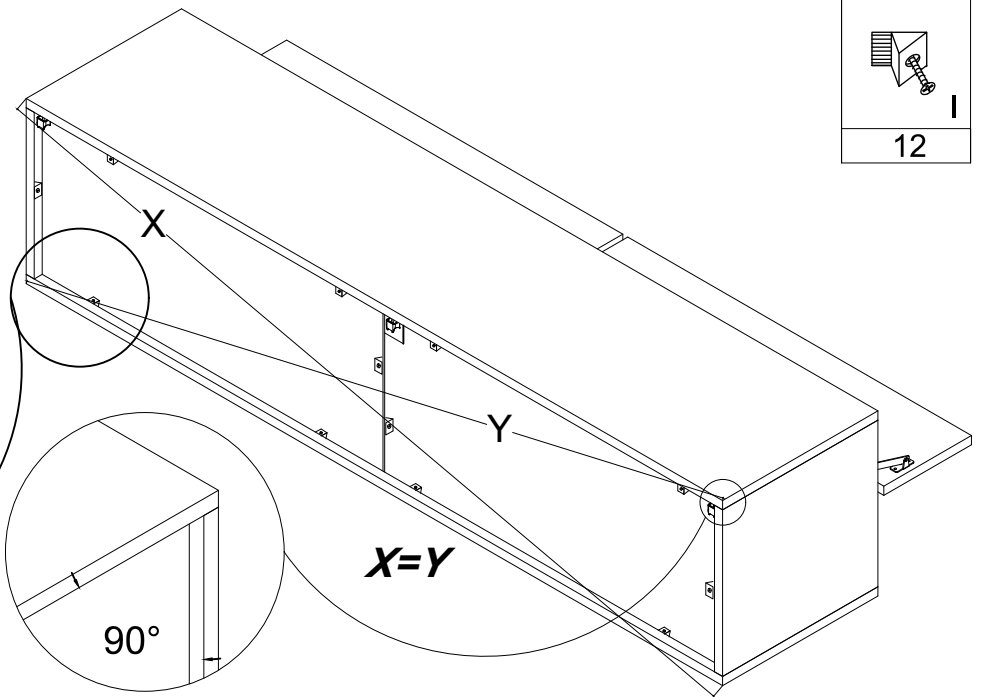
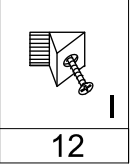
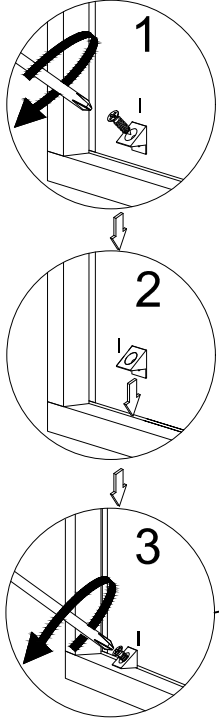
VIII



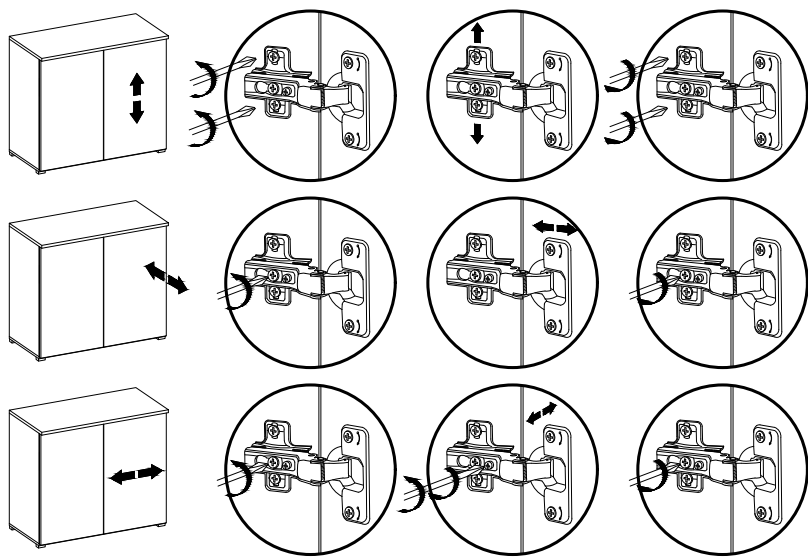
IX




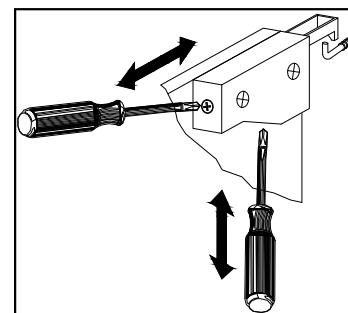
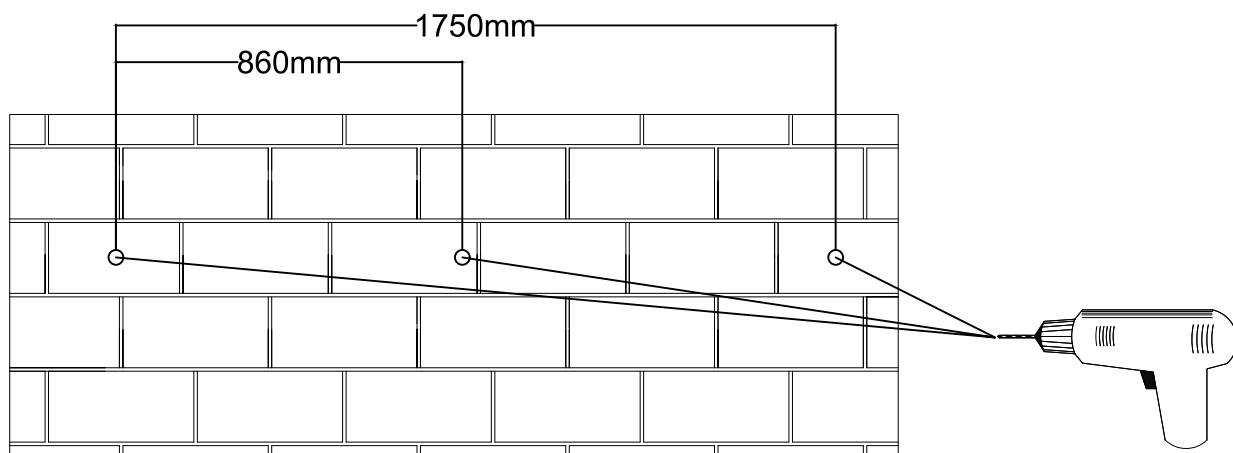
X

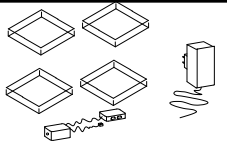
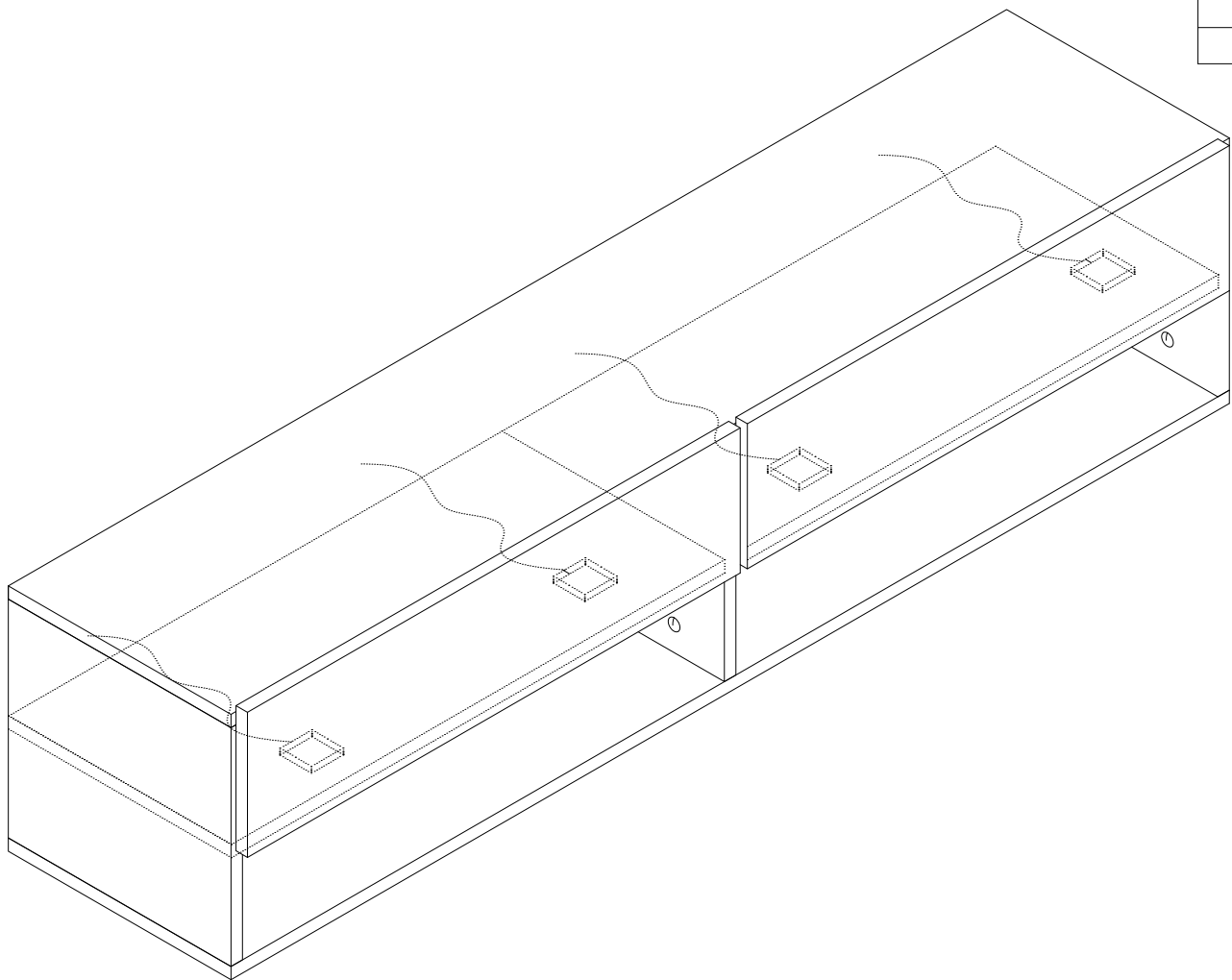


XI



Ø-10.0
 KR
1





1