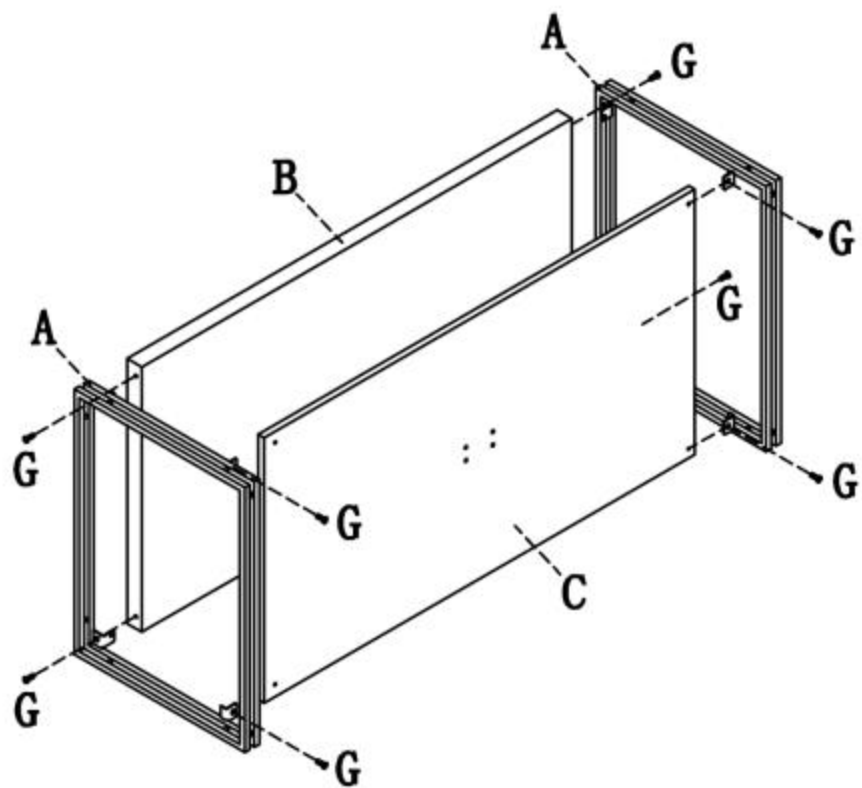
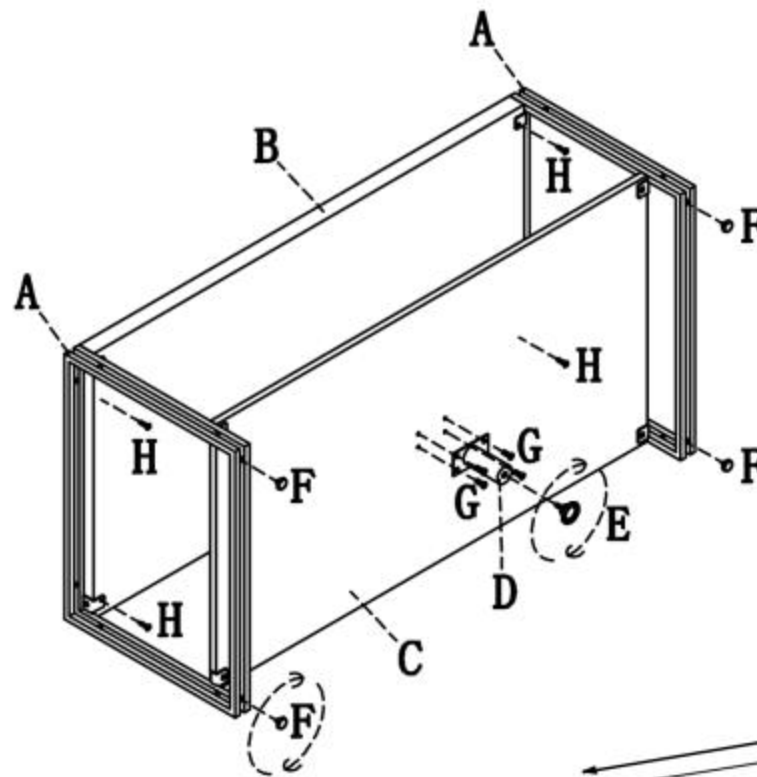


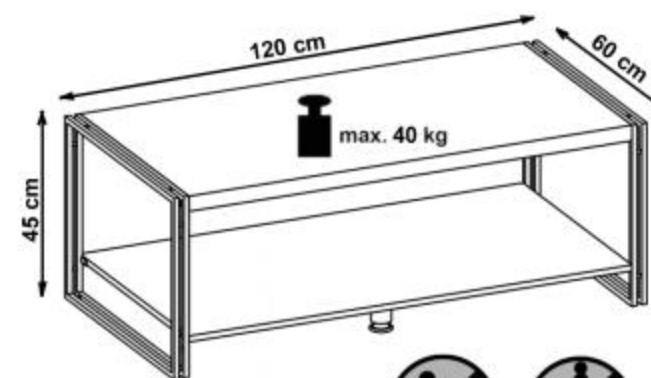
# 1



# 2



A		2
B		1
C		1
D		1
E		1
F		4
G	 M6x12 mm	12
H	 4x14 mm	4



v.1