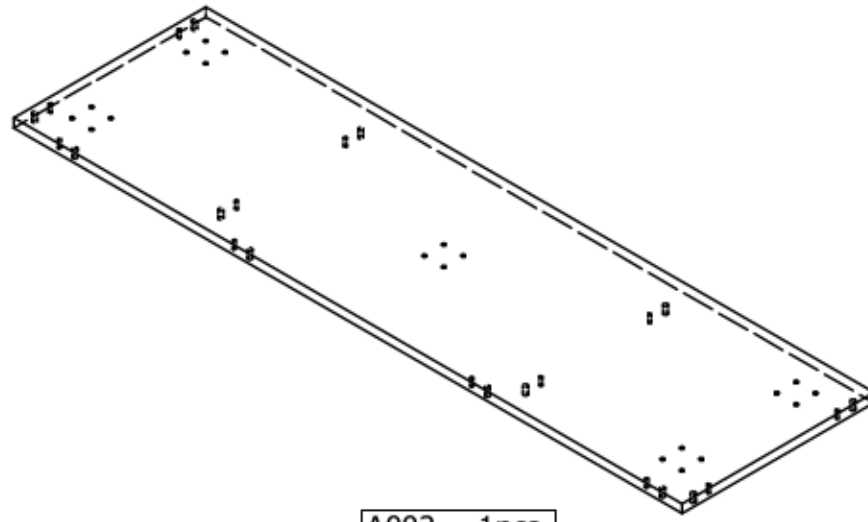


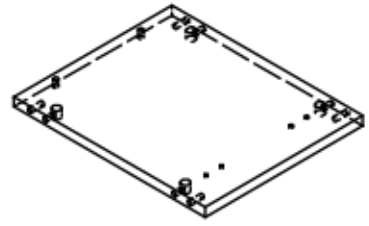
A001 = 1pcs.



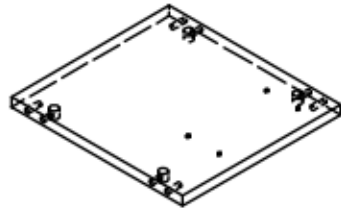
A002 = 1pcs.



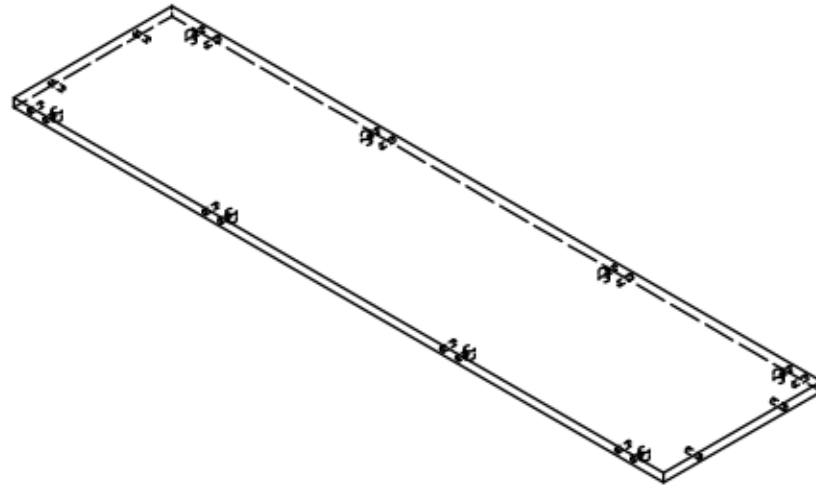
S001 = 5pcs.



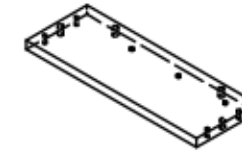
A003 = 1pcs.



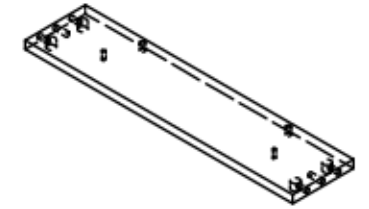
A004 = 1pcs.



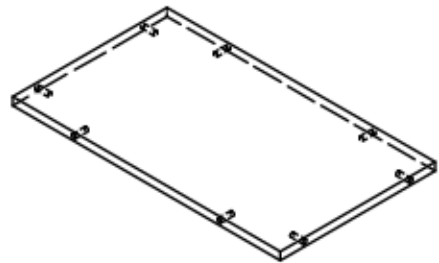
A005 = 1pcs.



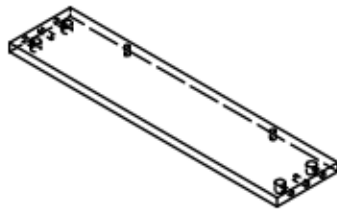
A006 = 2pcs.



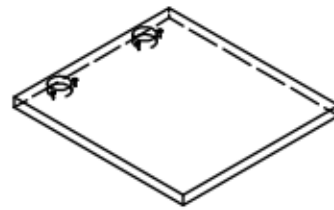
A007 = 2pcs.



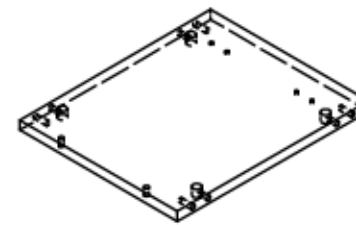
A008 = 2pcs.



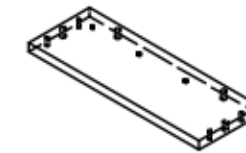
A009 = 2pcs.



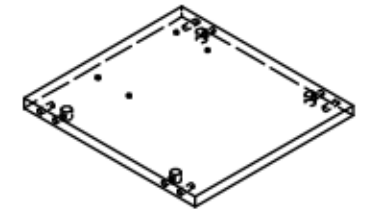
A010 = 2pcs.



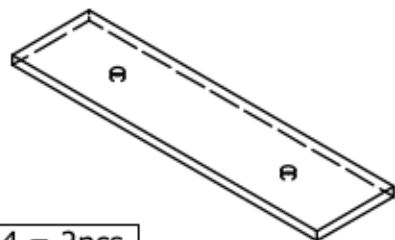
A011 = 1pcs.



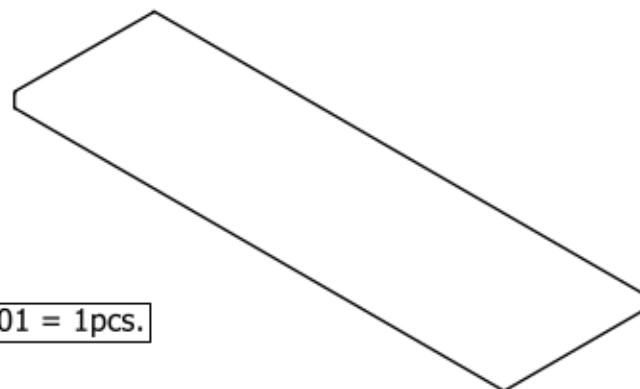
A012 = 2pcs.



A013 = 1pcs.



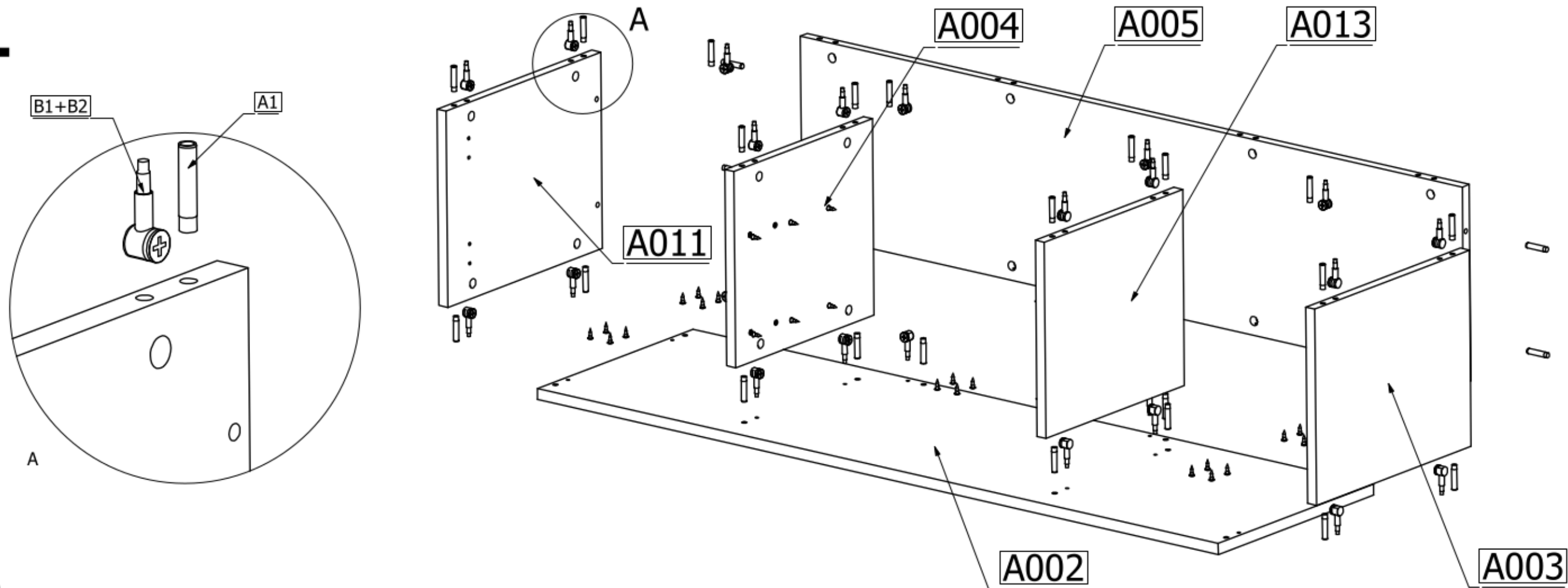
A014 = 2pcs.



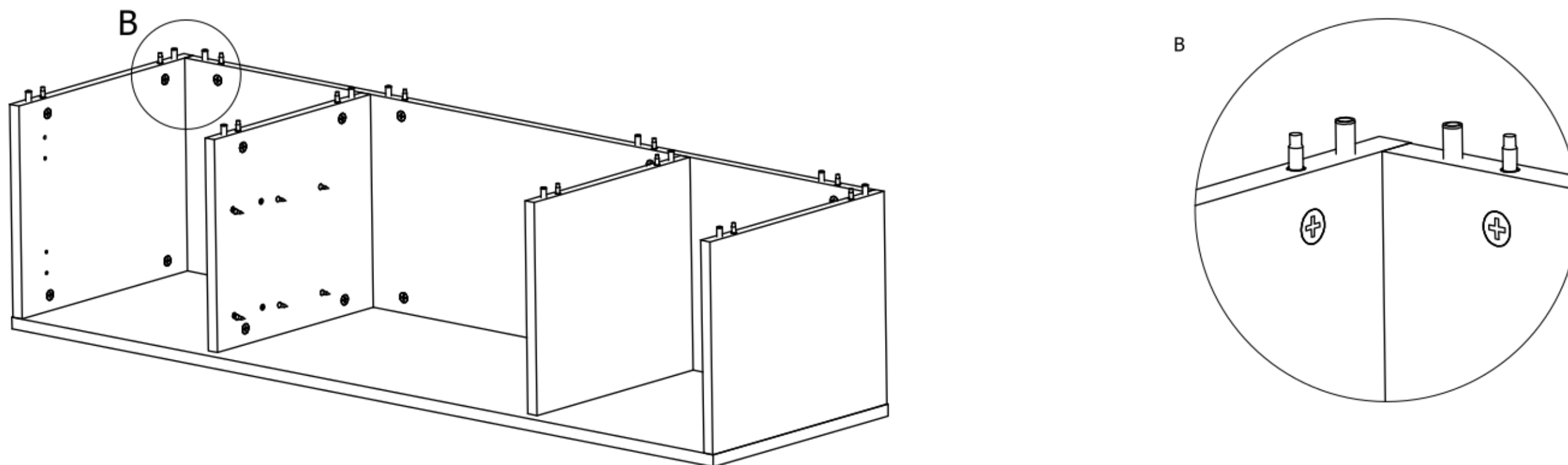
U001 = 1pcs.



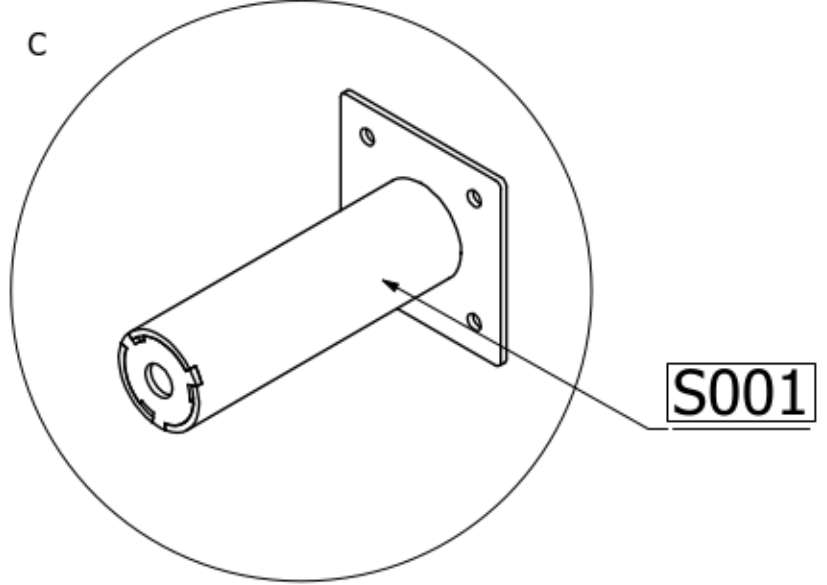
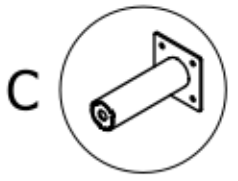
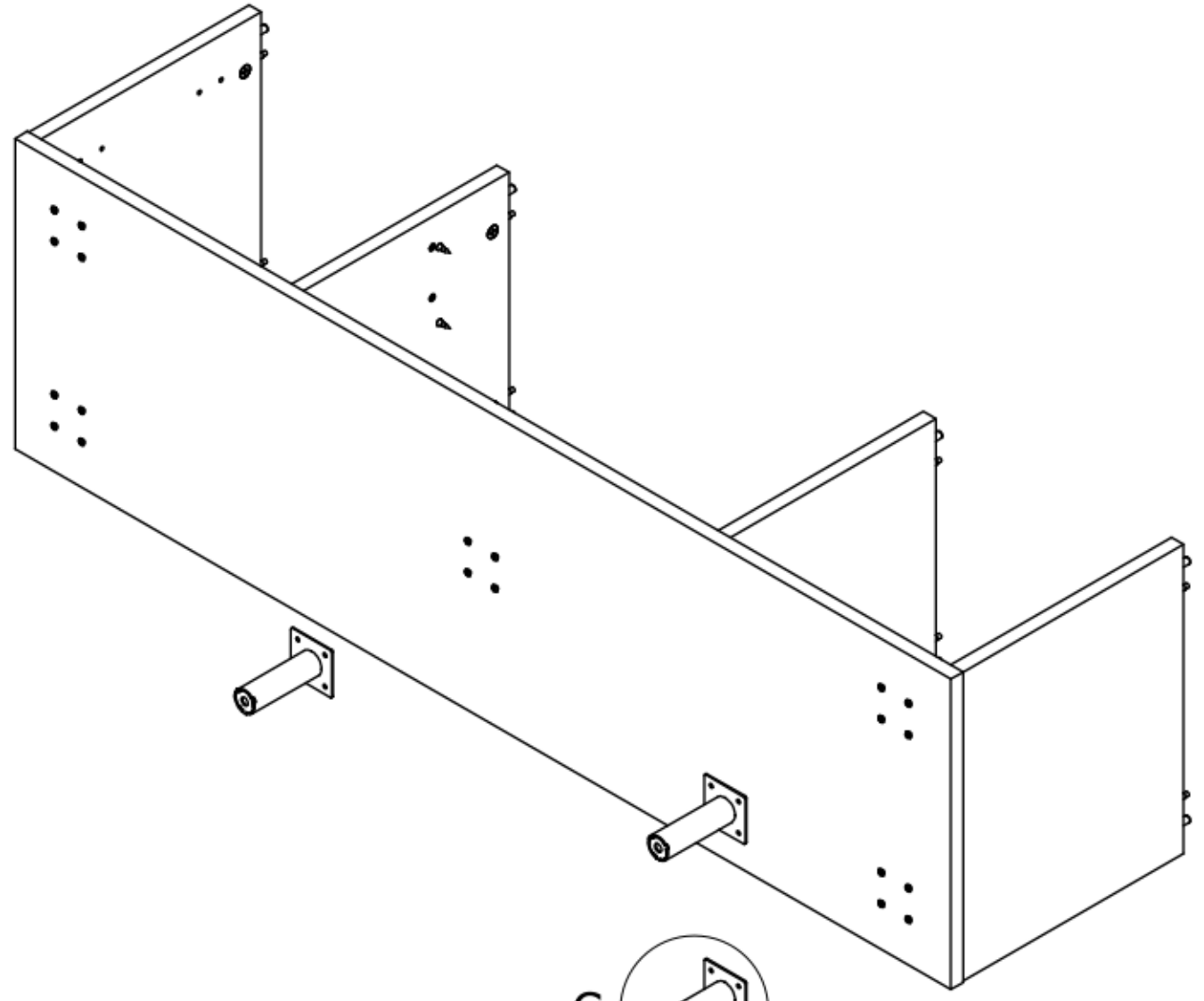
# 1



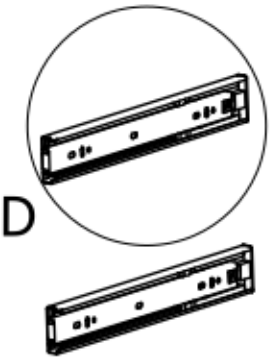
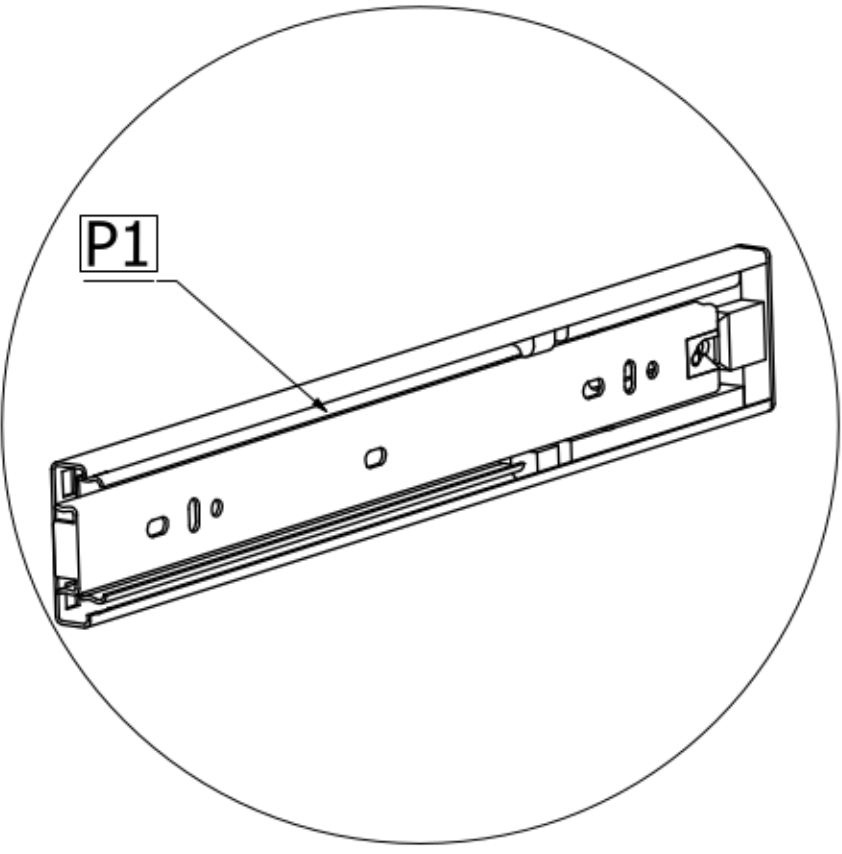
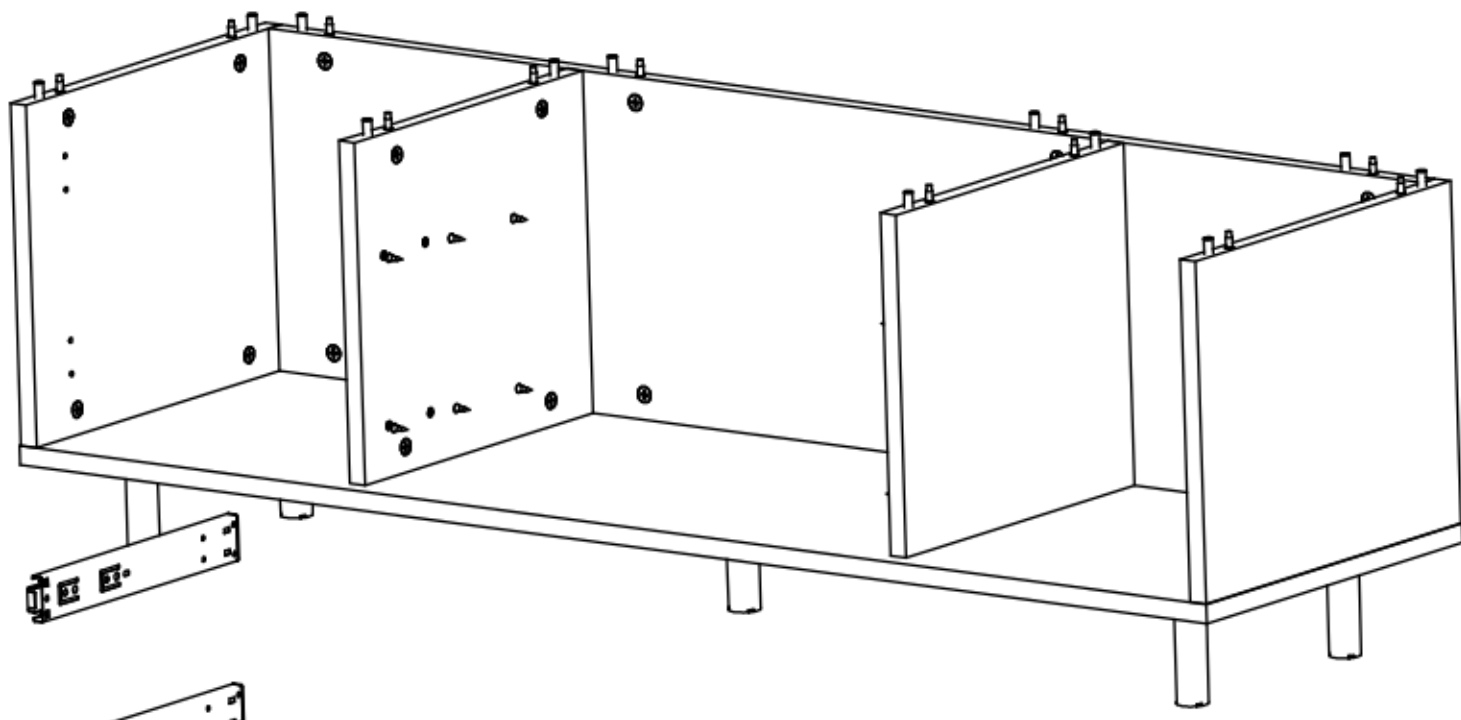
# 2



# 3

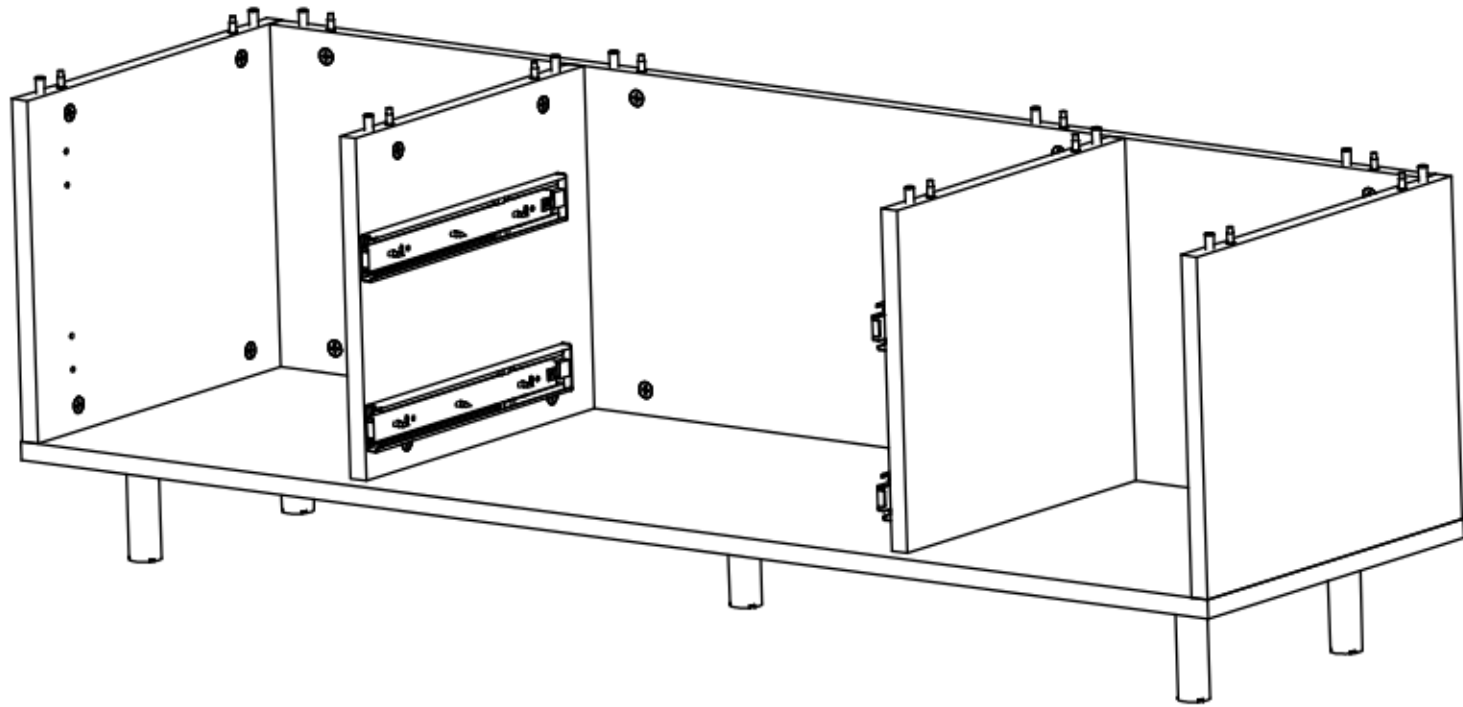


# 4

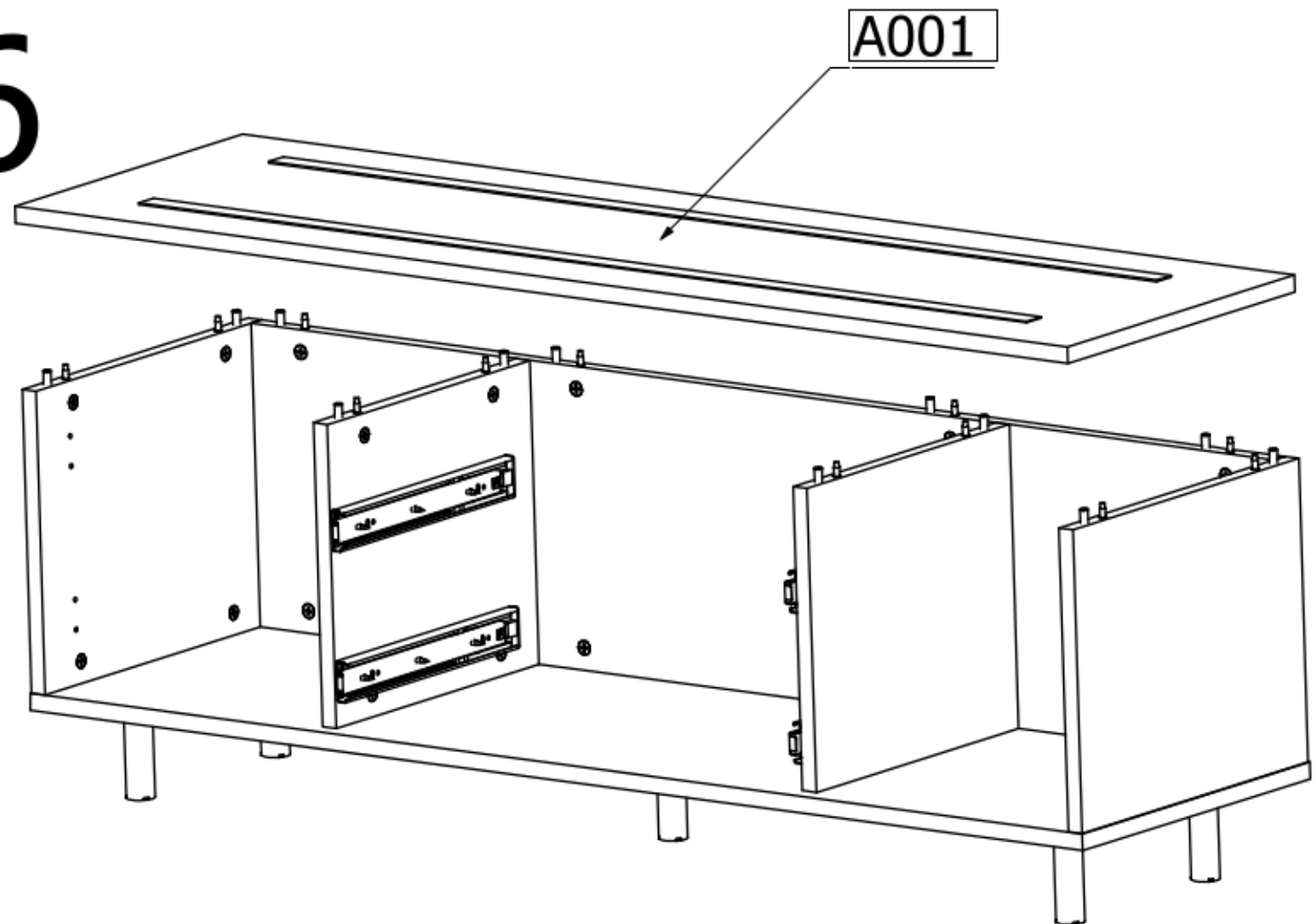


P1

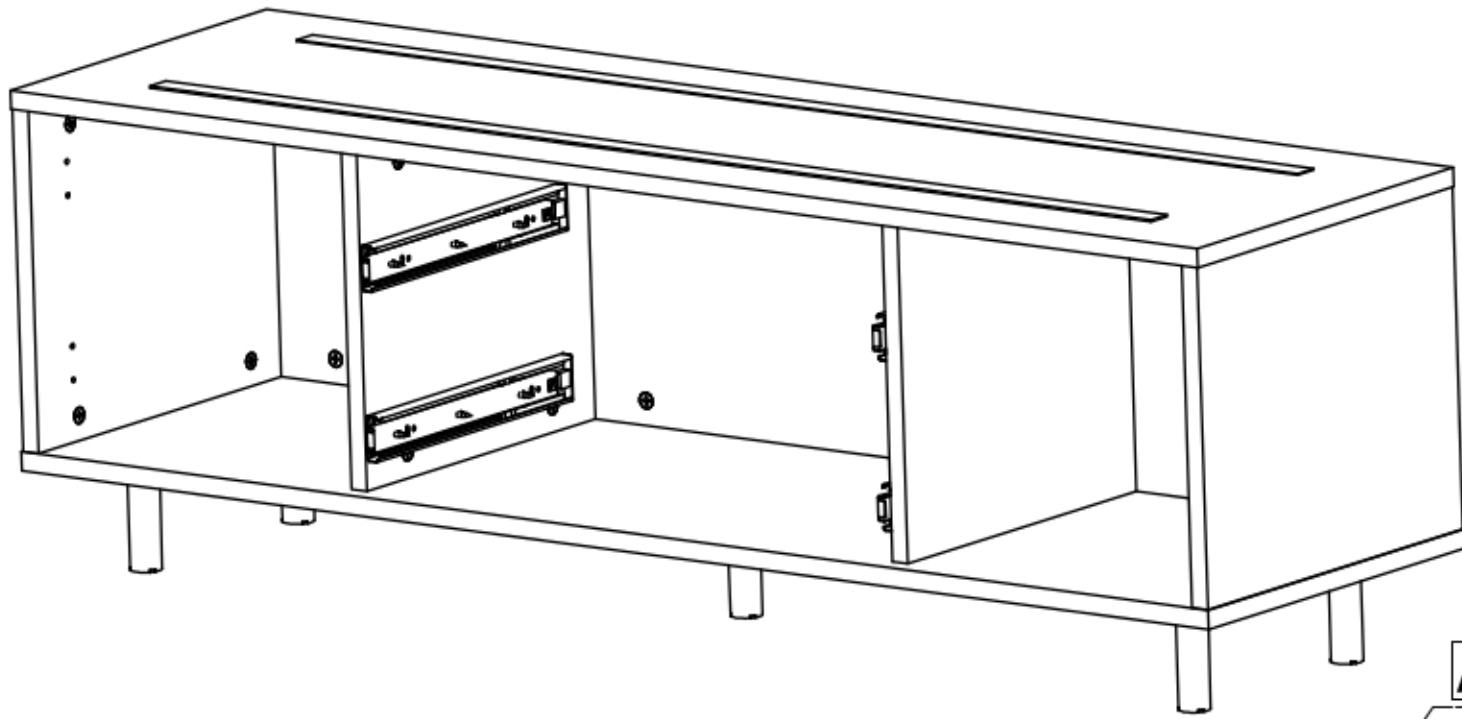
5



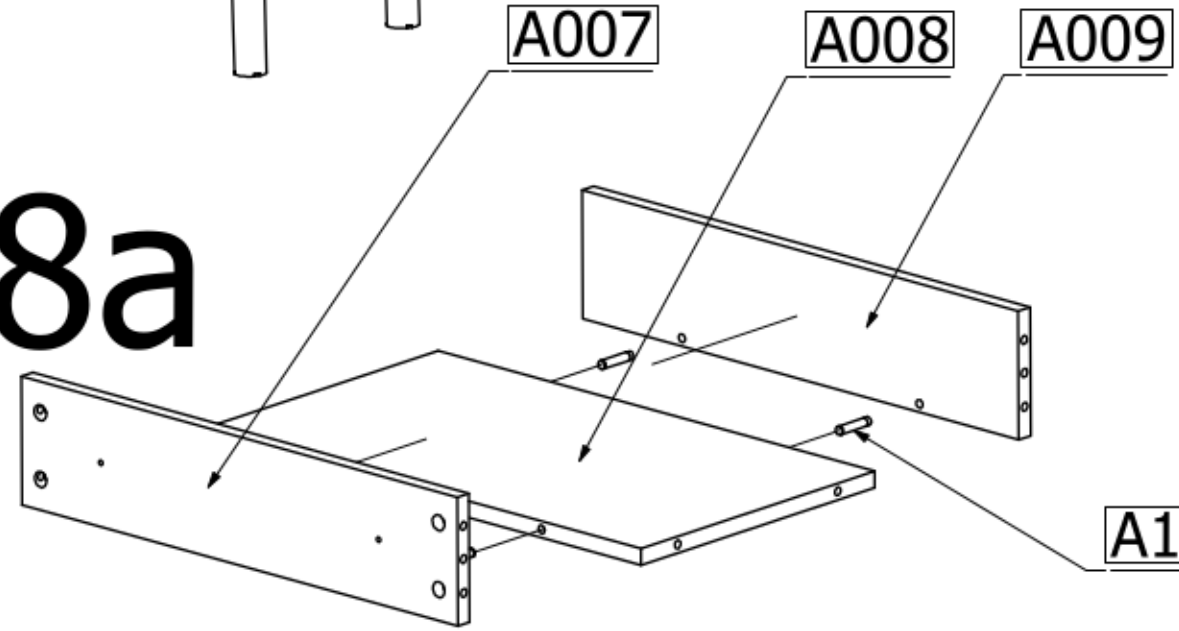
6



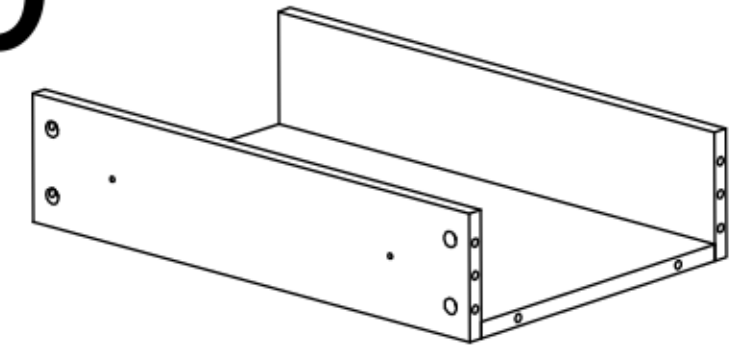
# 7



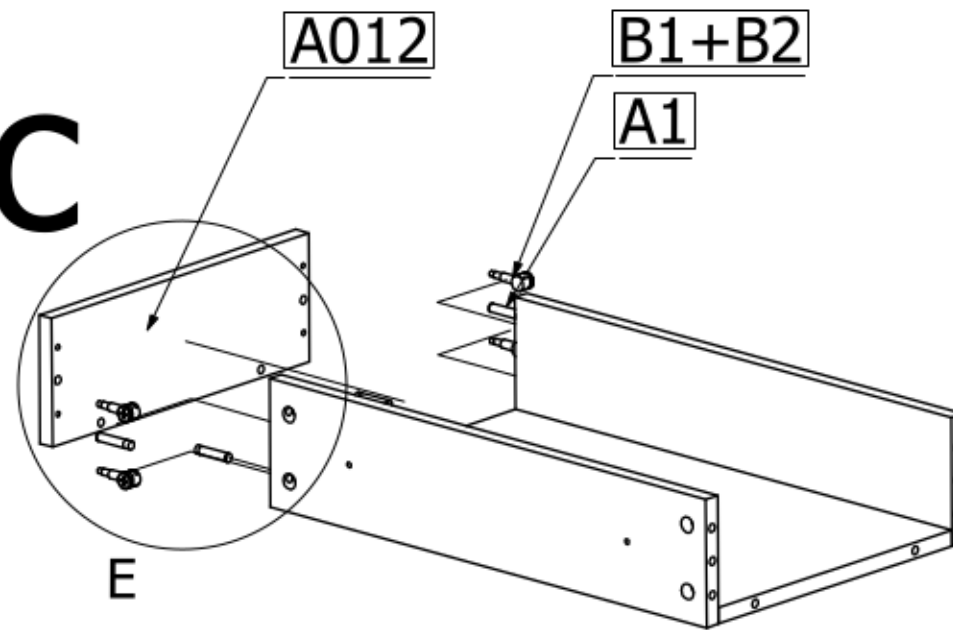
## 8a



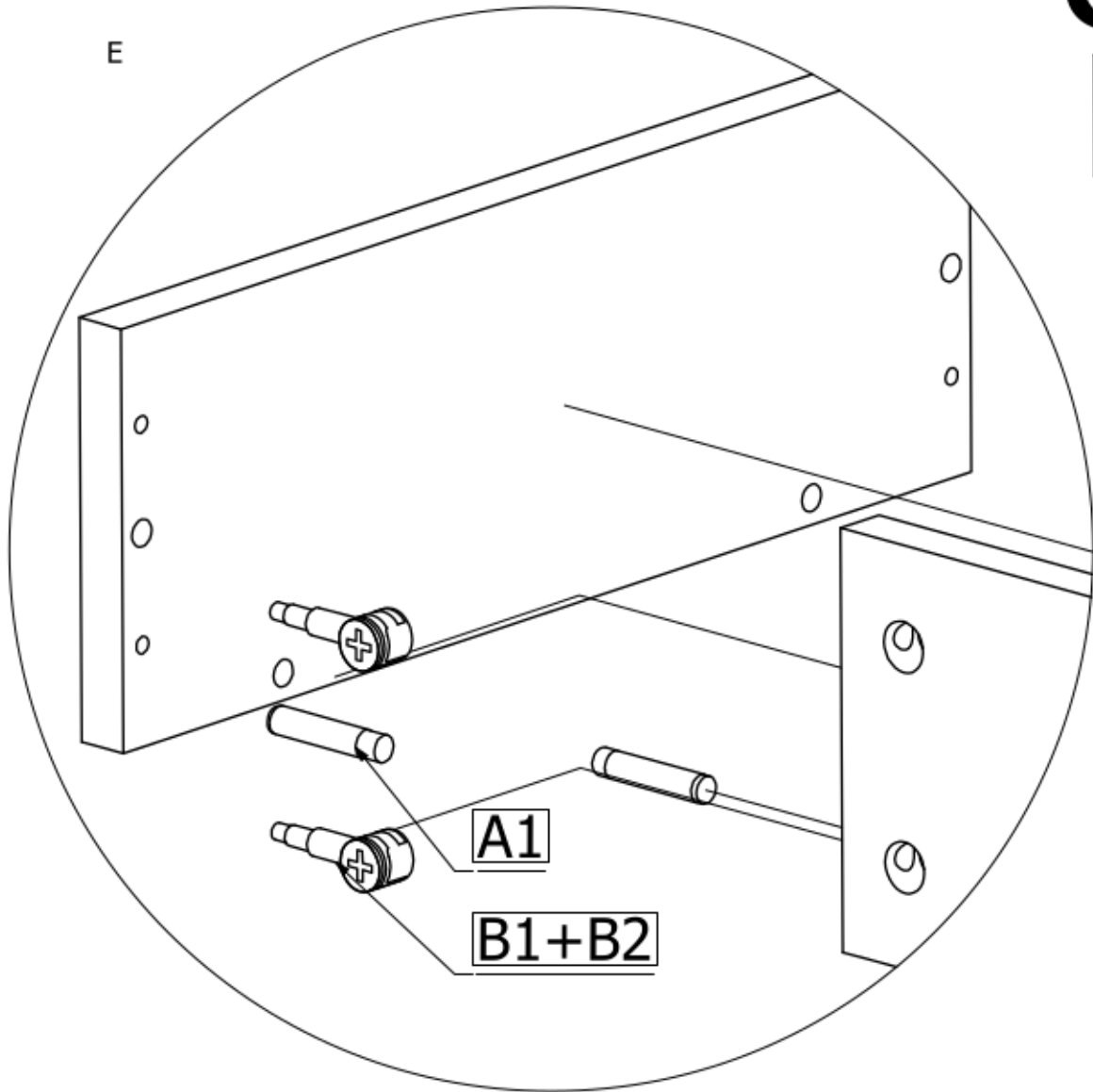
## 8b



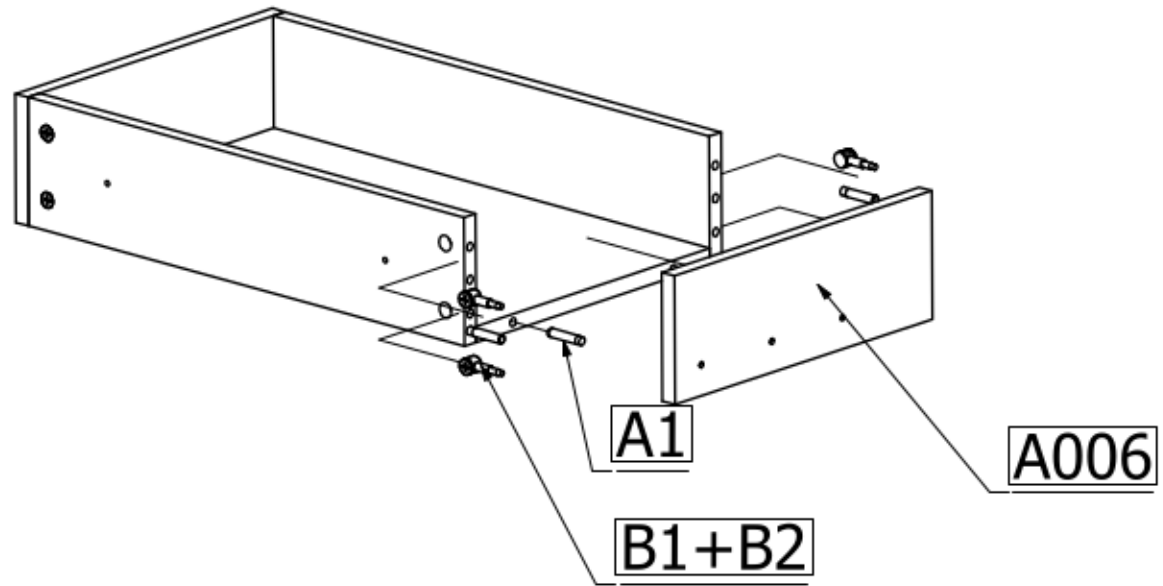
## 8c



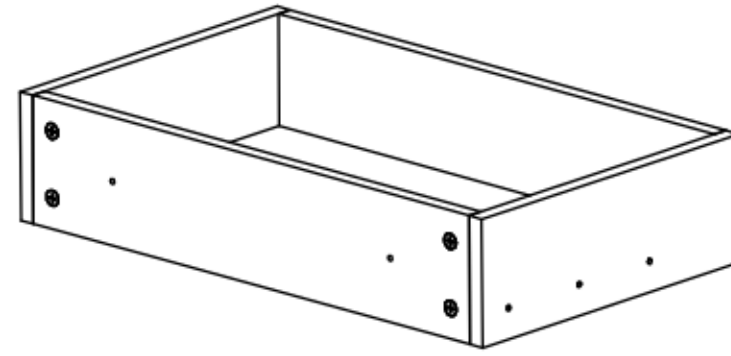
E



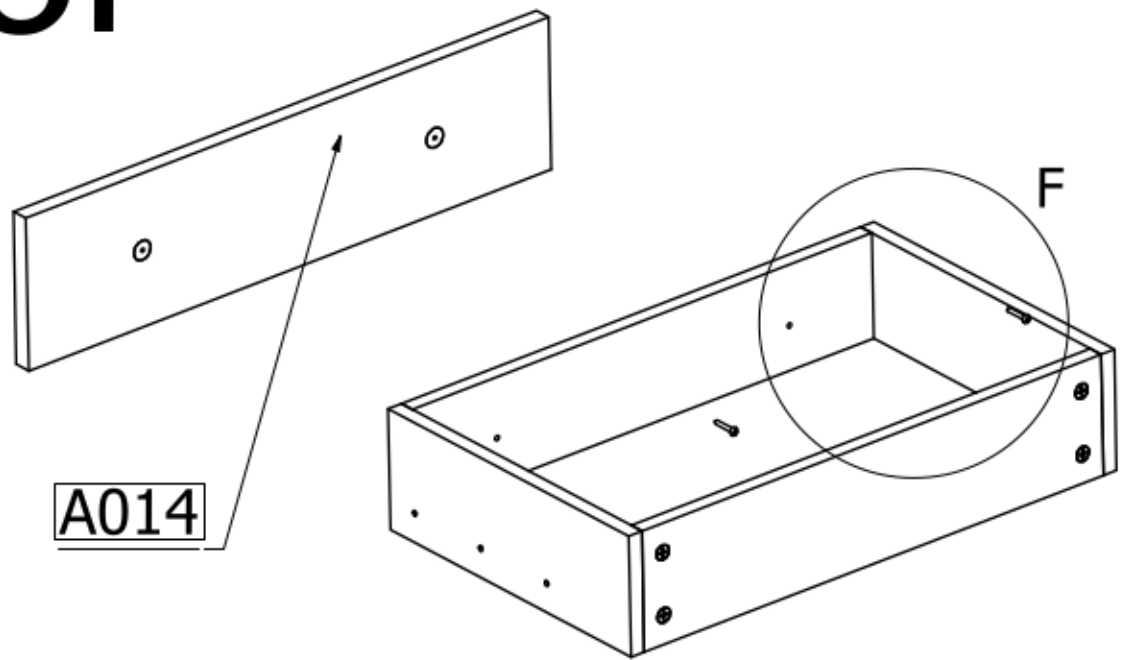
# 8d



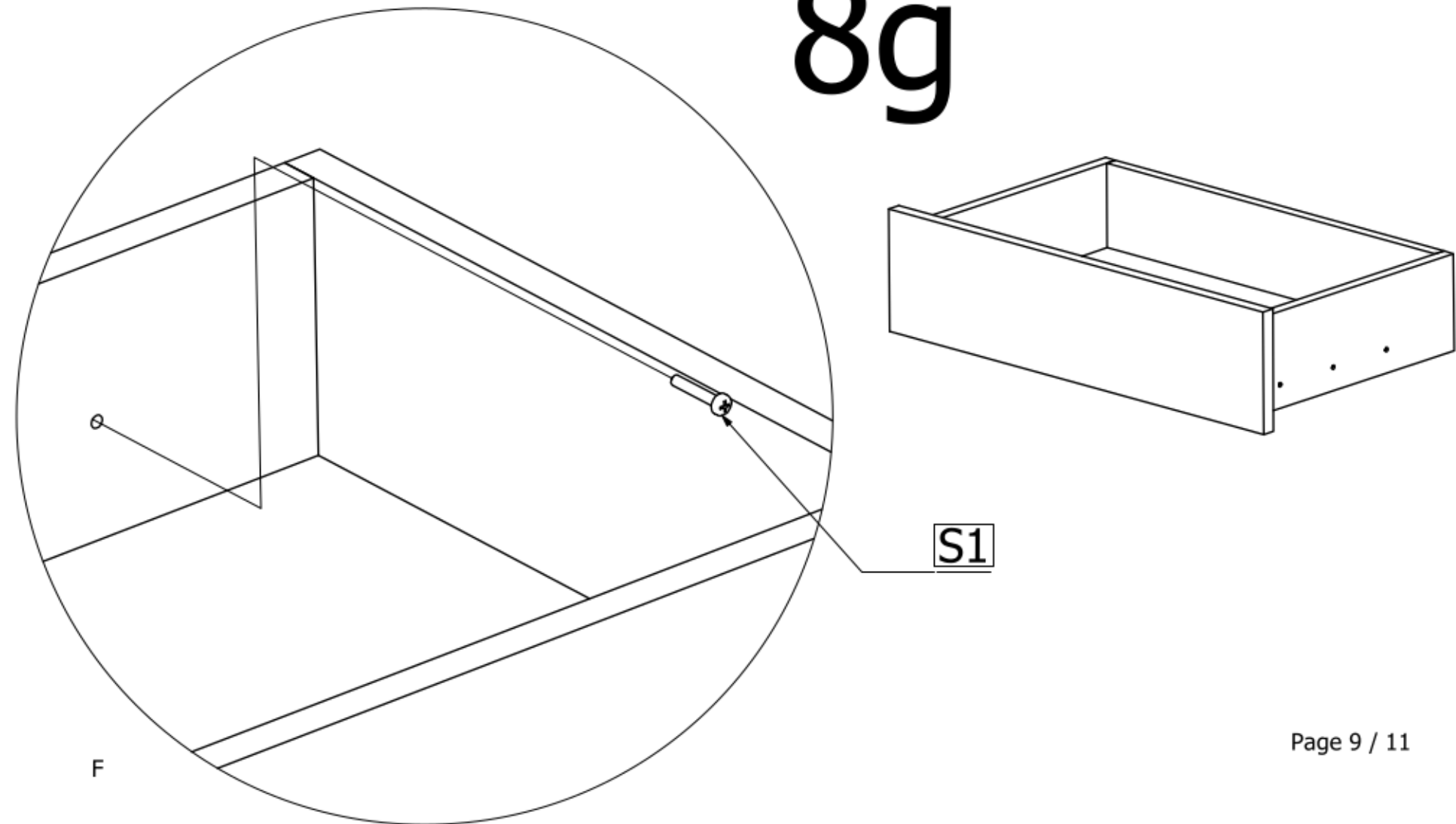
# 8e



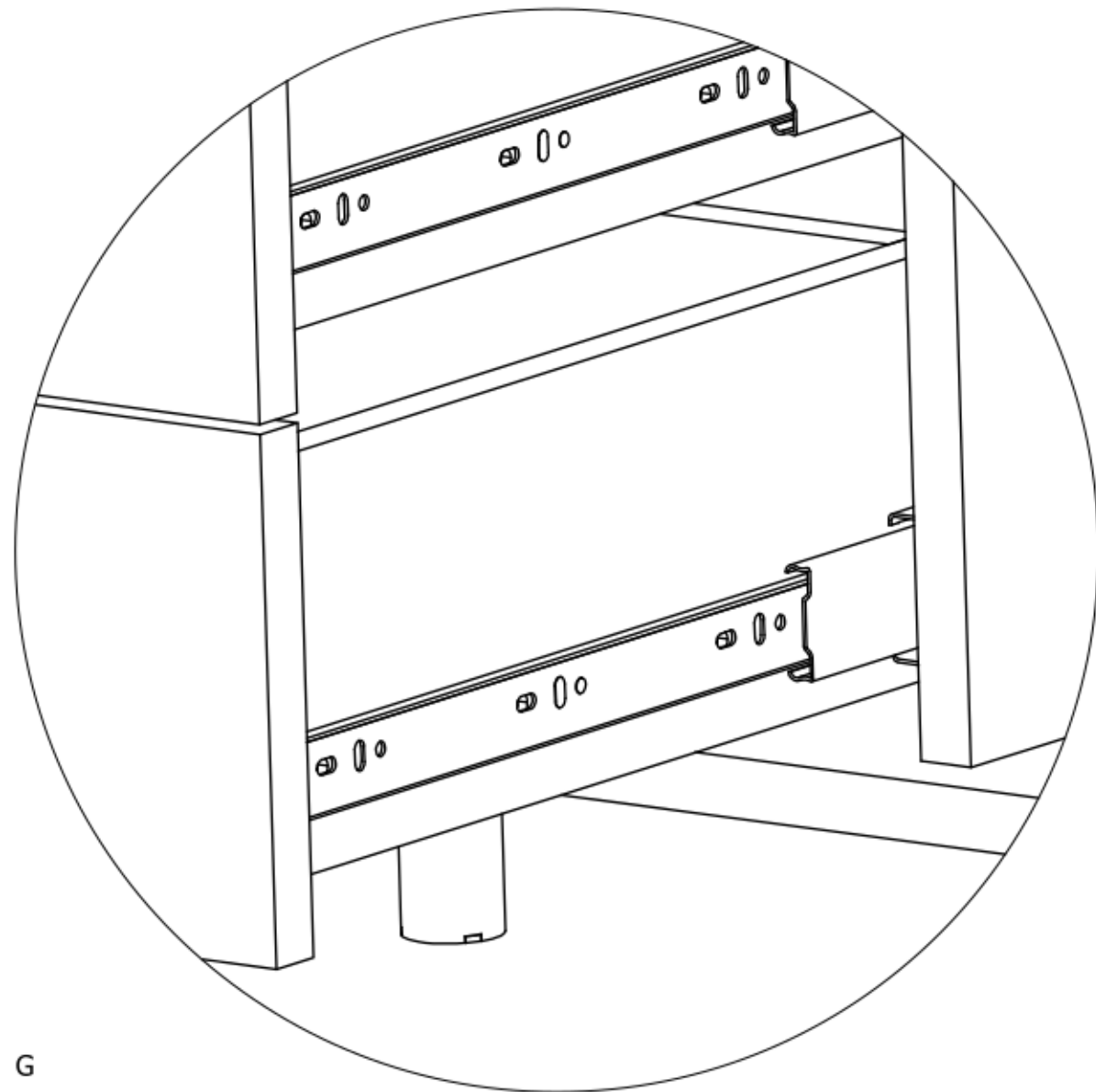
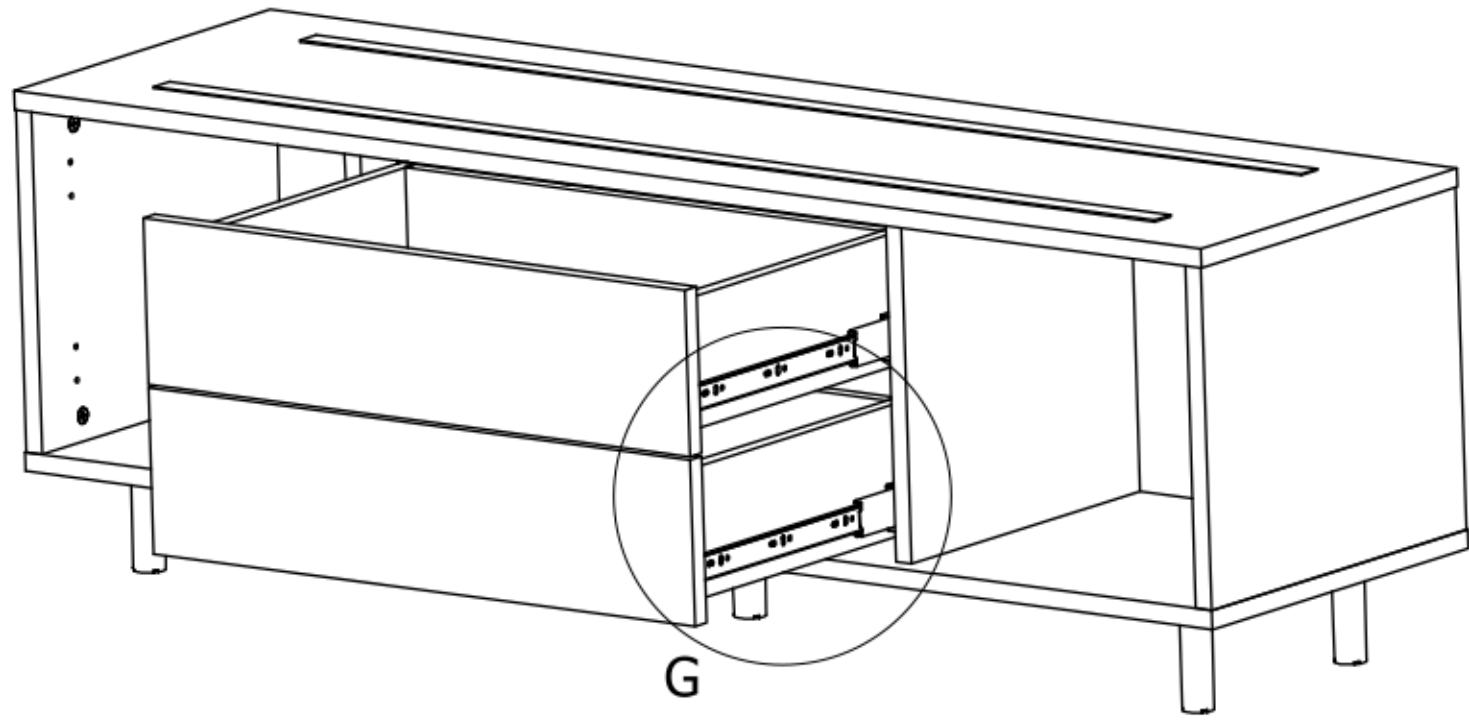
# 8f



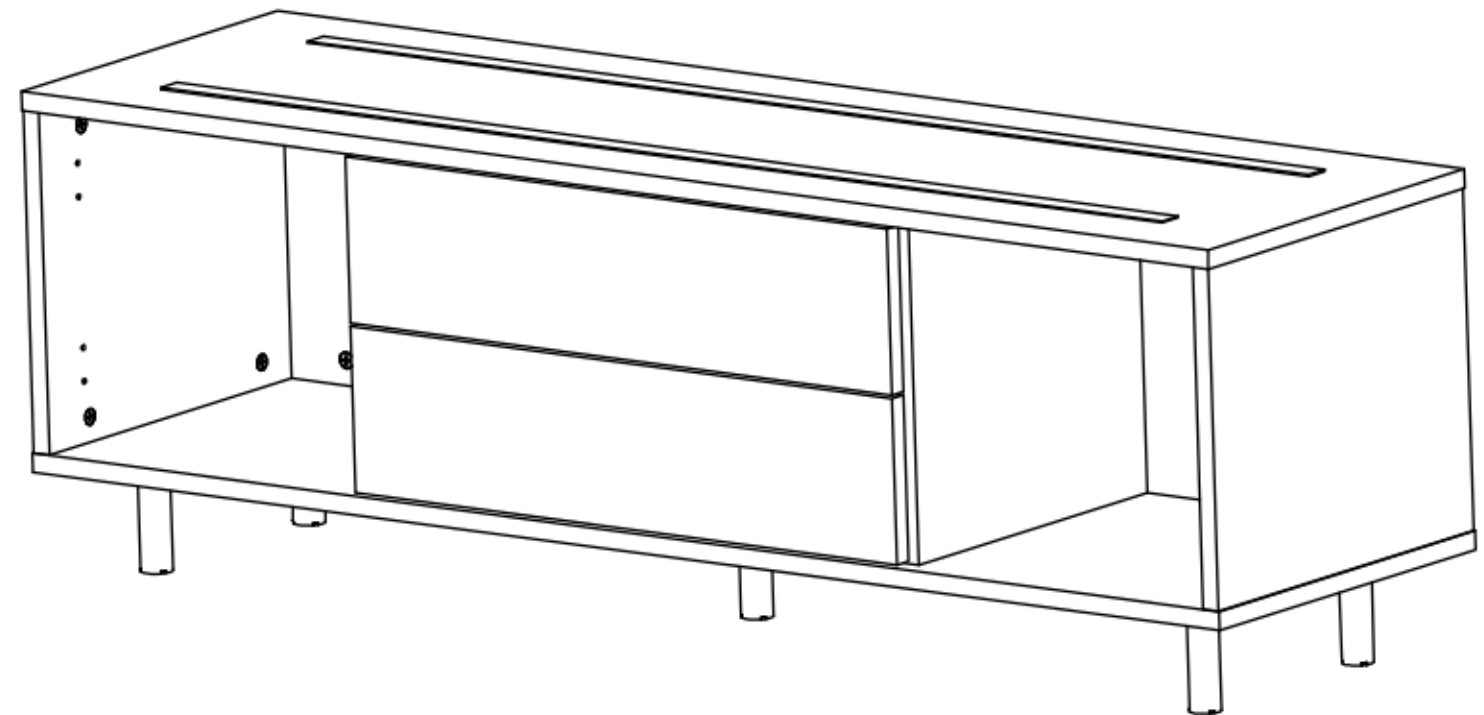
# 8g



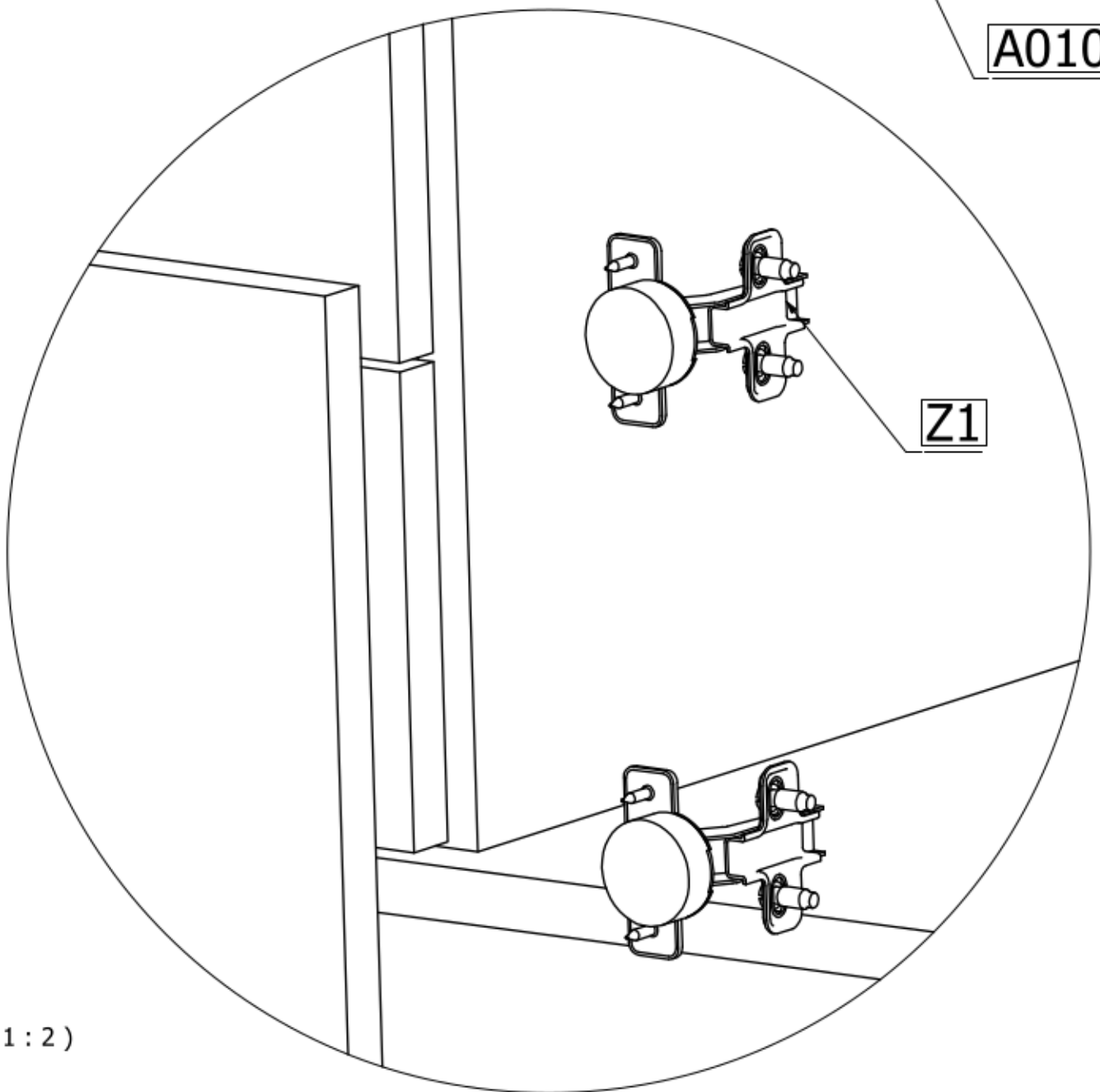
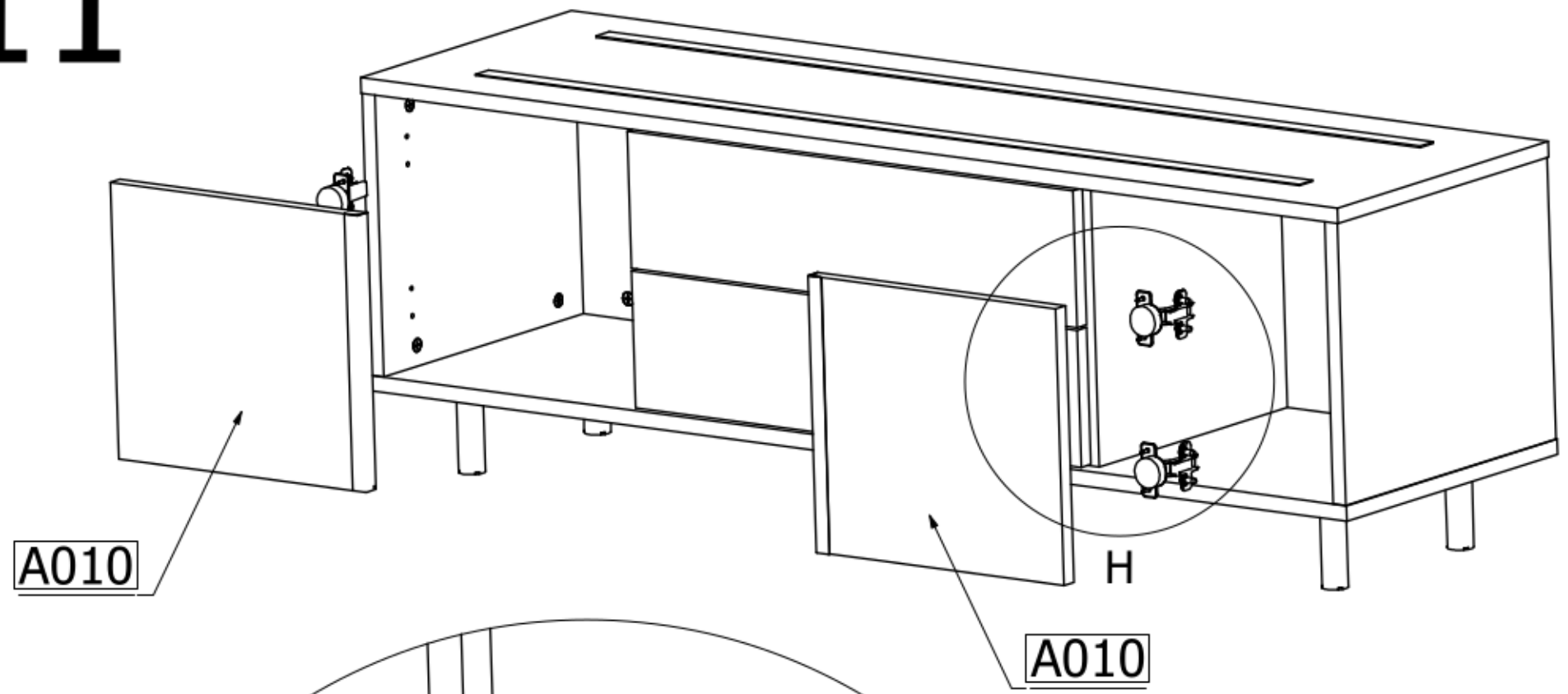
9



10

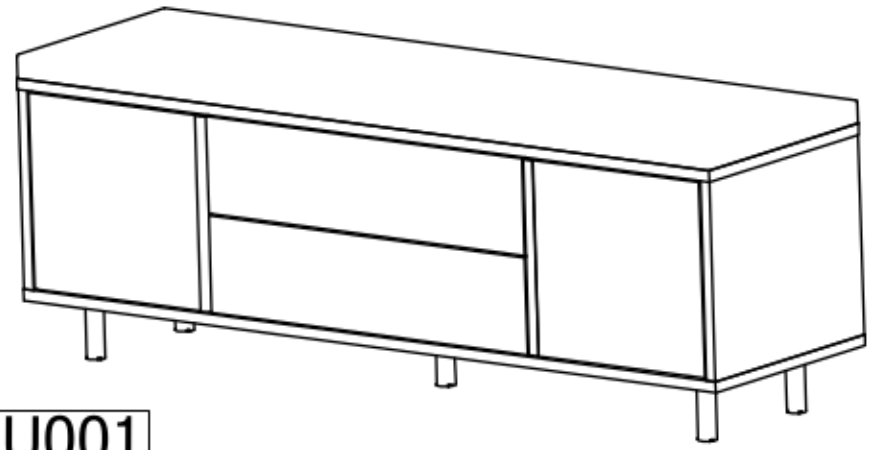


# 11



H(1:2)

# 13



# 12

