

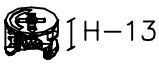
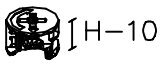



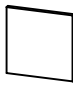
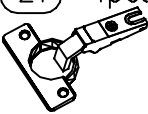
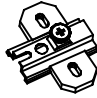

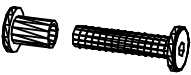
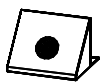





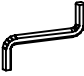
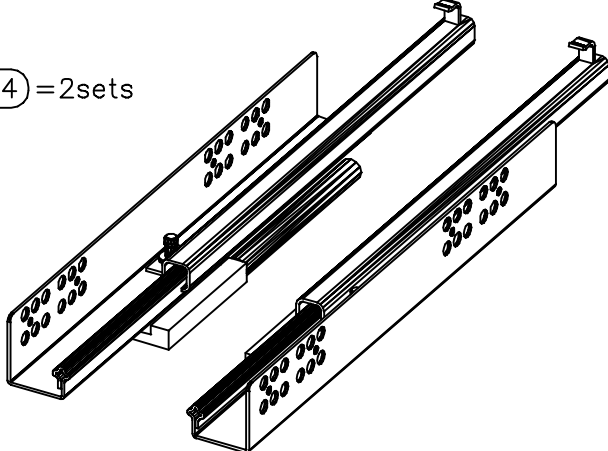
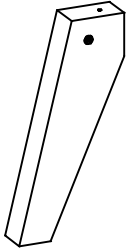
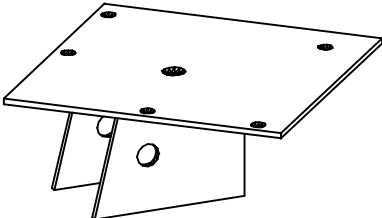
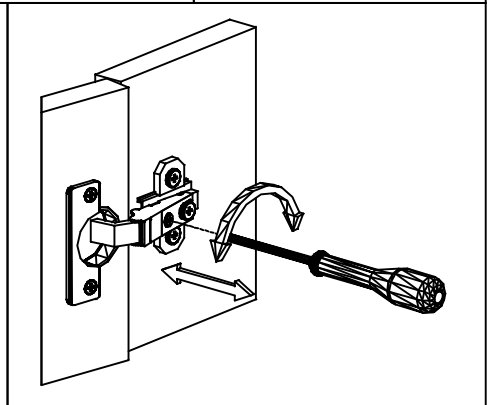
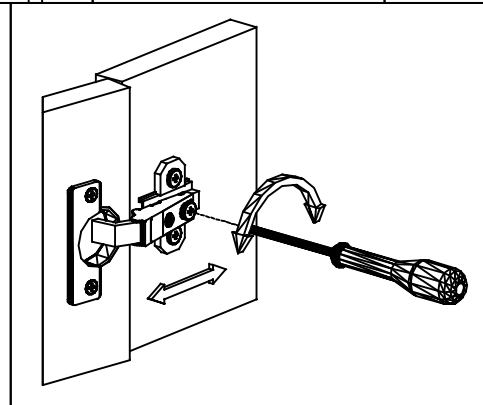
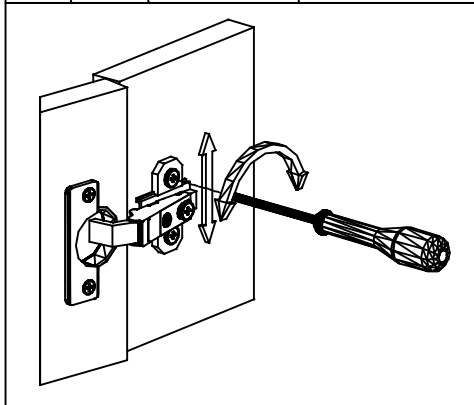
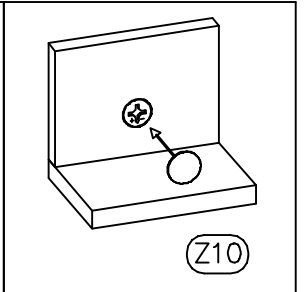
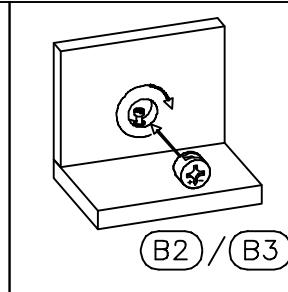
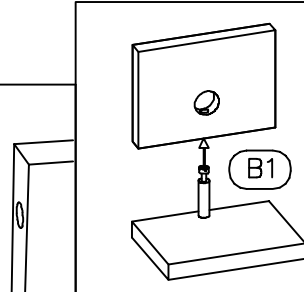
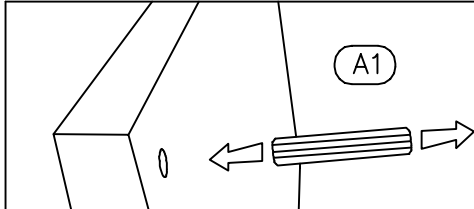
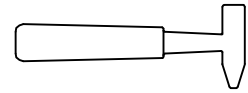
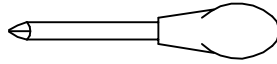
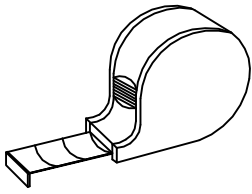
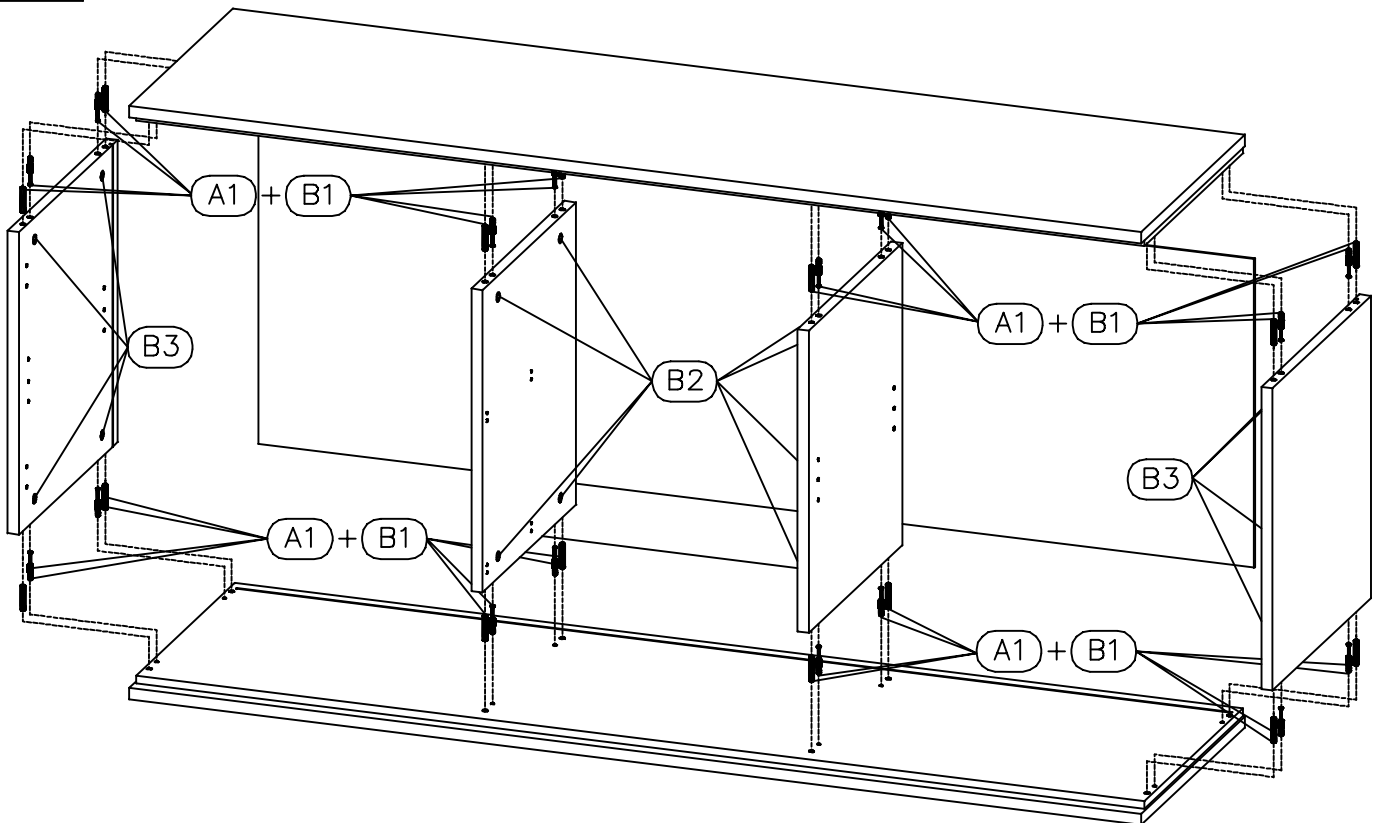


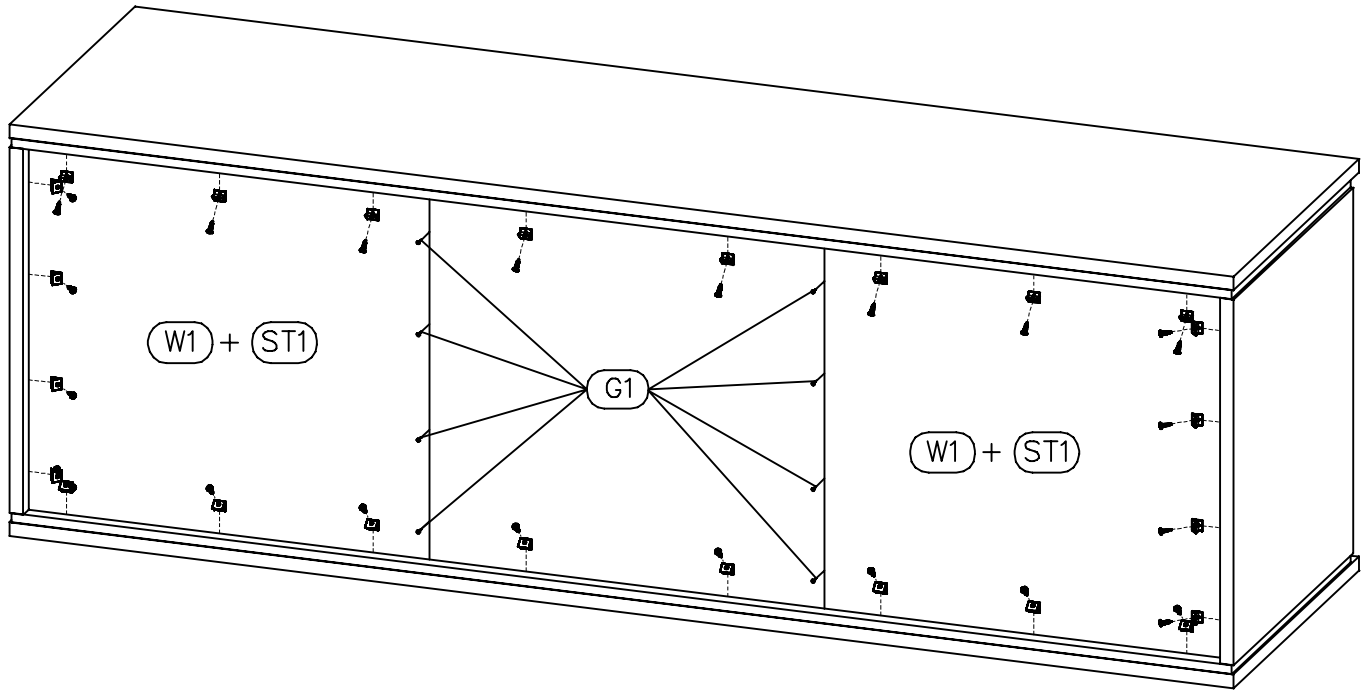
| | | | | | |
|---|--|---|---|---|---|
| <p>(A1) = 32pcs</p>  | <p>(B1) = 32pcs</p>  | <p>(B2) = 8pcs</p>  | <p>(B3) = 24pcs</p>  | <p>(Z10) = 32pcs</p>  | |
| <p>(F1) = 2pcs</p>  | <p>(F2) = 2sets</p>  | <p>(F3) = 2pcs</p>  | <p>(Z1) = 4pcs</p>  | <p>(Z2) = 4pcs</p>  | <p>(G1) = 22pcs</p>  |
| <p>(S1) = 4sets</p>  | <p>(ST1) = 34pcs</p>  | <p>(W3) = 16pcs</p>  | <p>(W4) = 4pcs</p> <p>4x45</p>  | <p>(W5) = 66pcs</p> <p>3,5x16</p>  | <p>(W6) = 8pcs</p>  |
| <p>(P1) = 8pcs</p>  | <p>(K1) = 1pc</p>  | | <p>(P4) = 2sets</p>  | | |
| <p>(N1) = 4pcs</p>  | <p>(N2) = 4pcs</p>  | | | | |



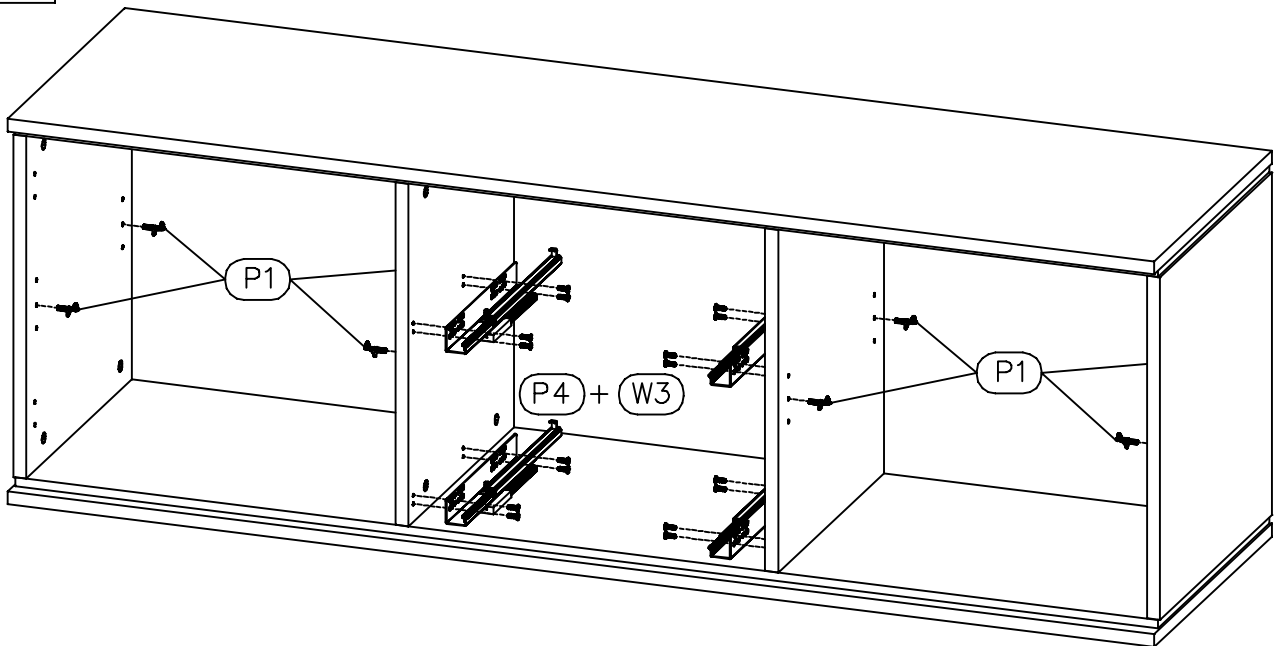
1



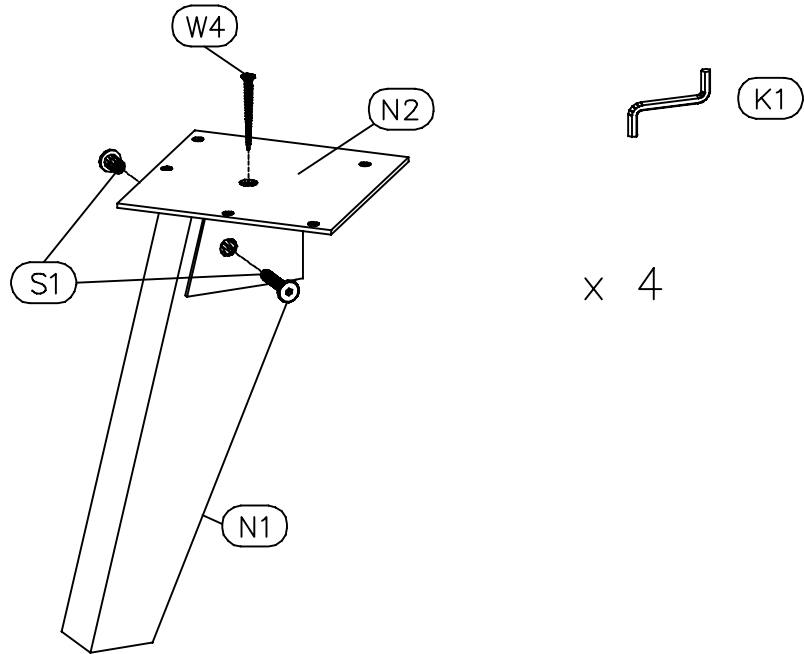
2



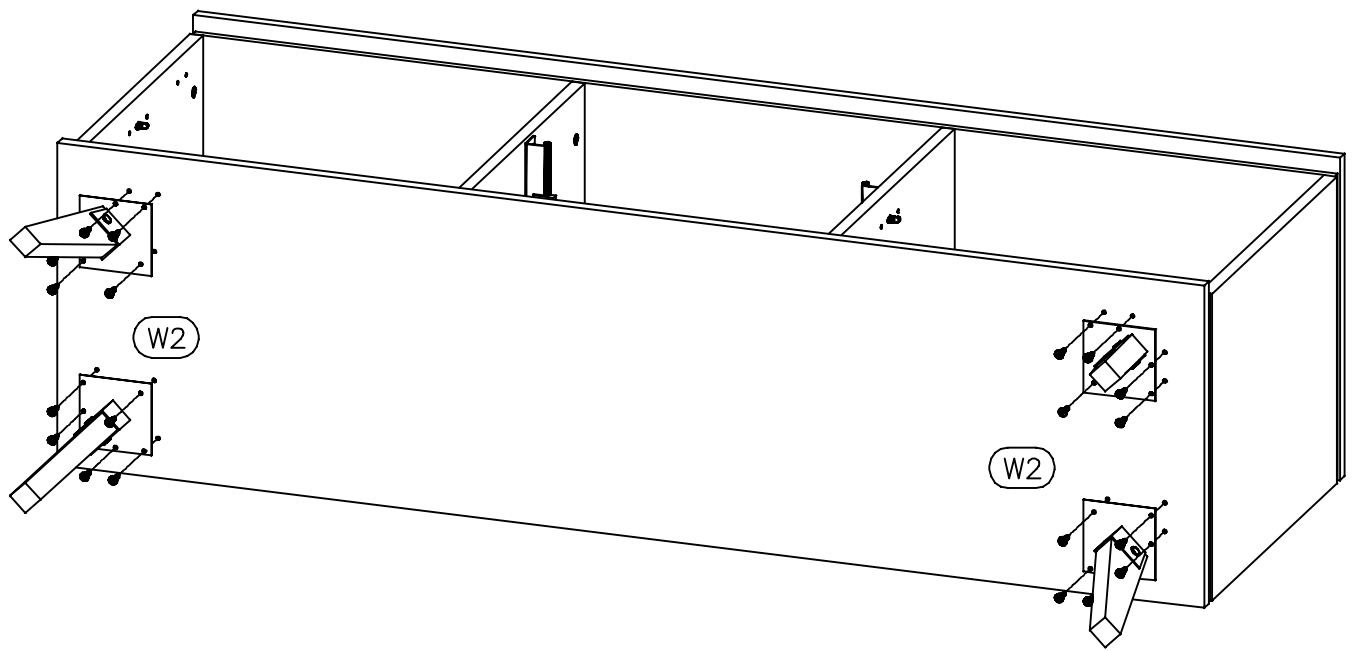
3

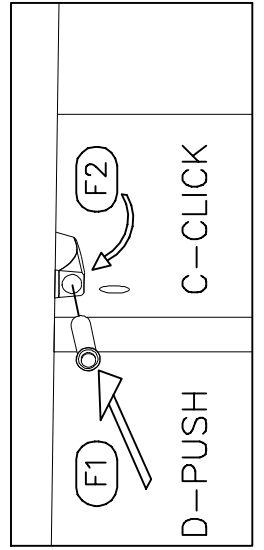
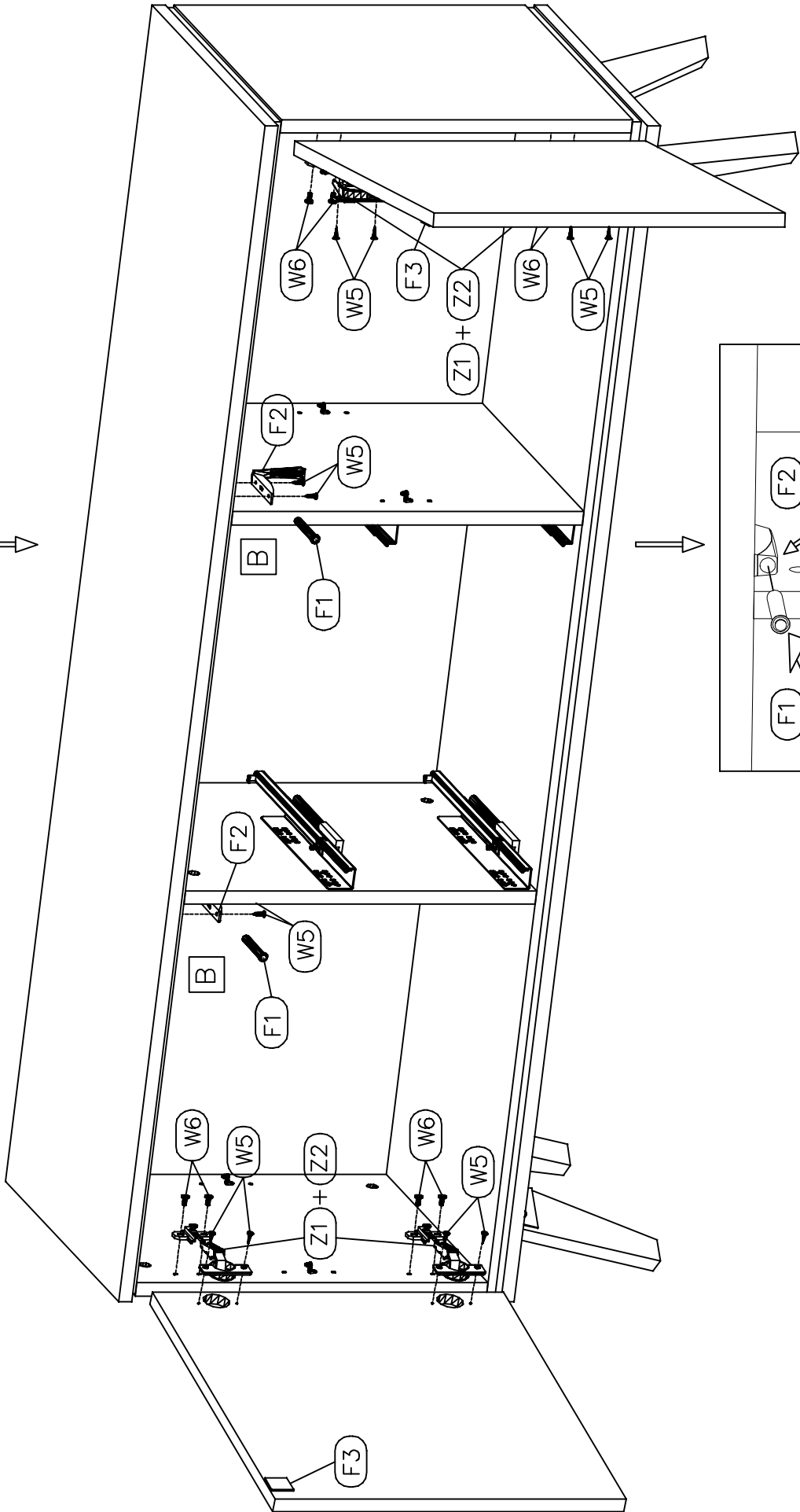
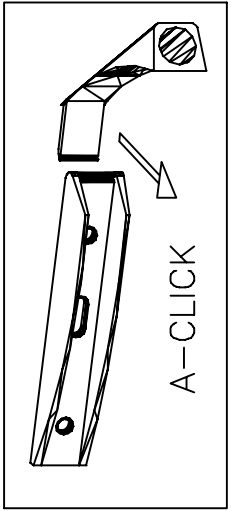


4

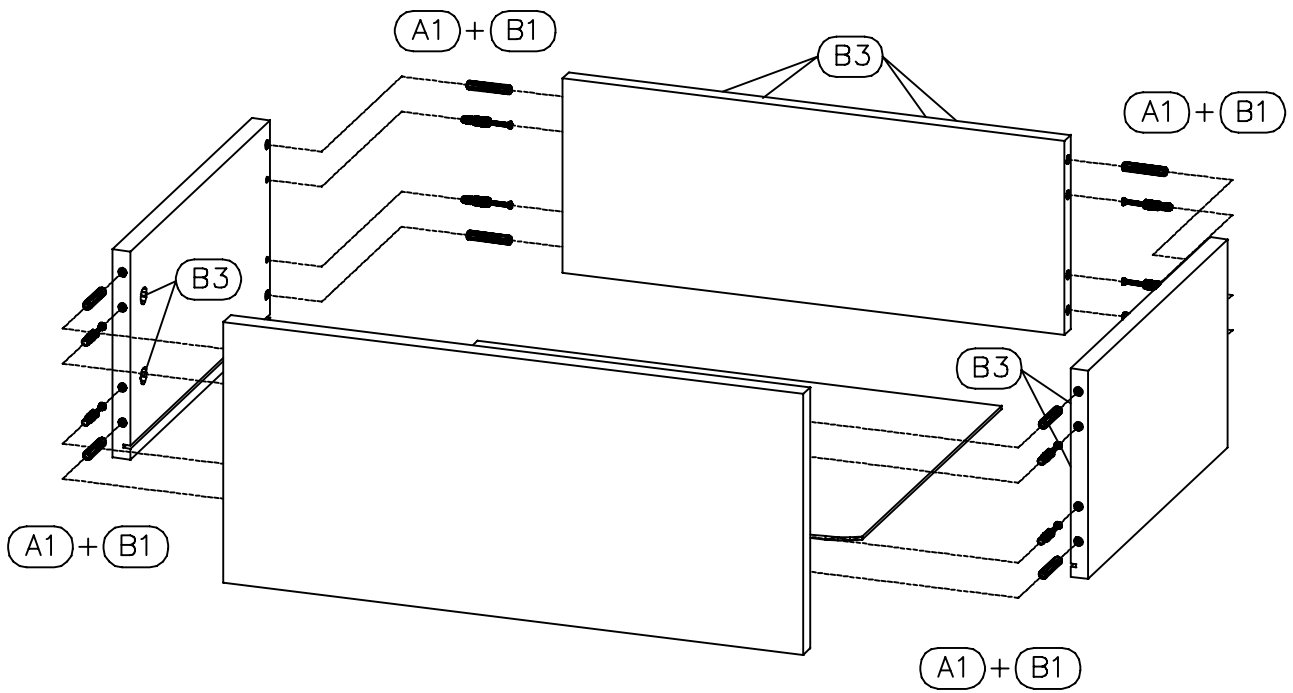


5

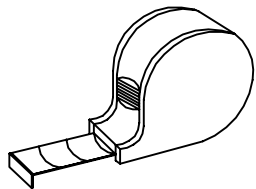




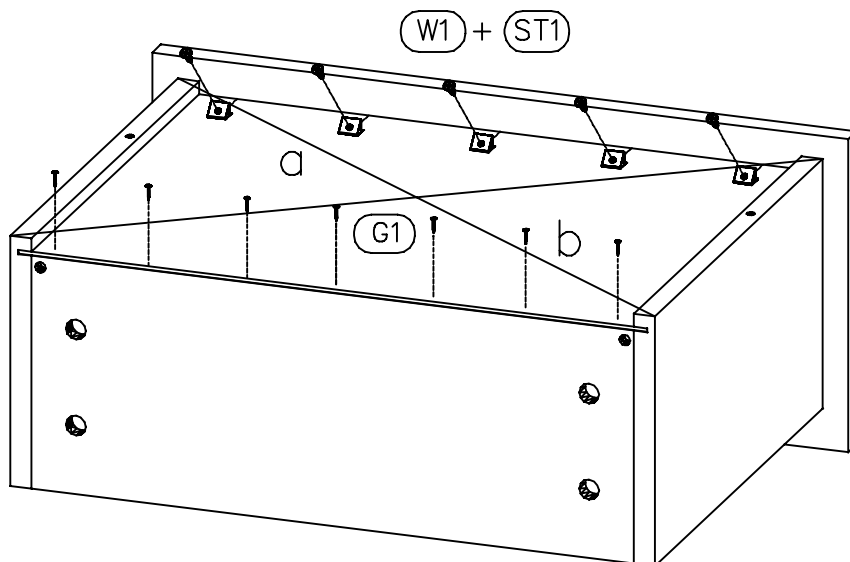
7



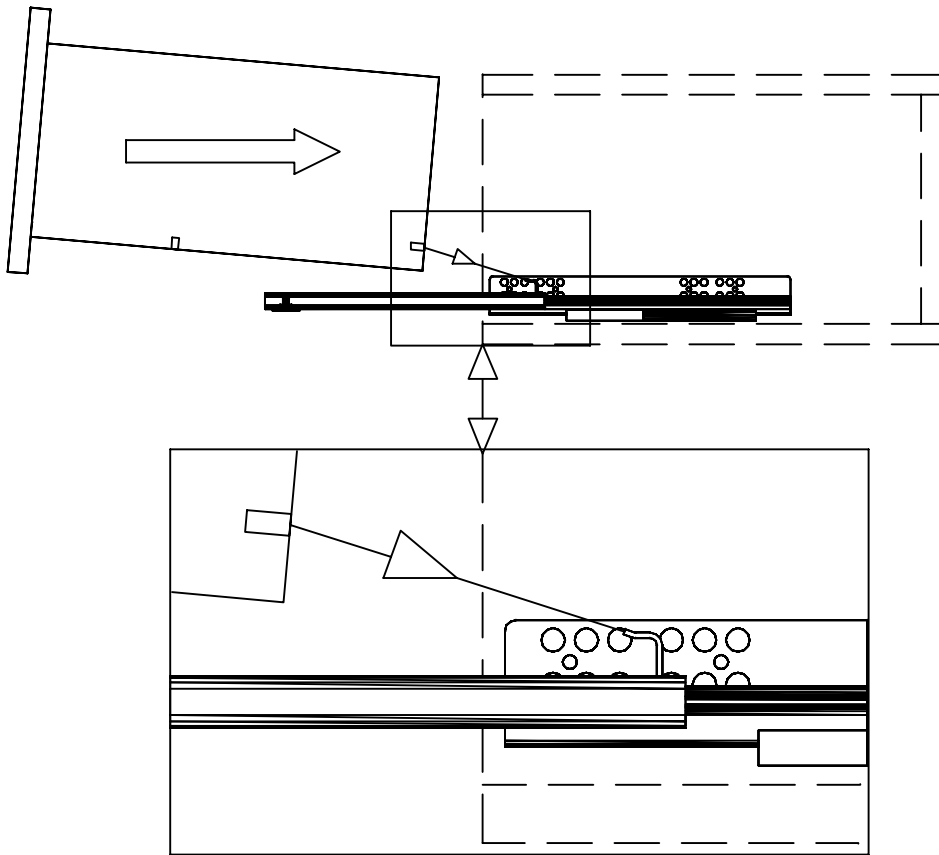
8



$$a = b$$



9



10

