

A  
8 pcs.



B - M6 x 30mm  
16 pcs.



C - M6  
16 pcs.



E - M8  
8 pcs.



D - M6  
16 pcs.



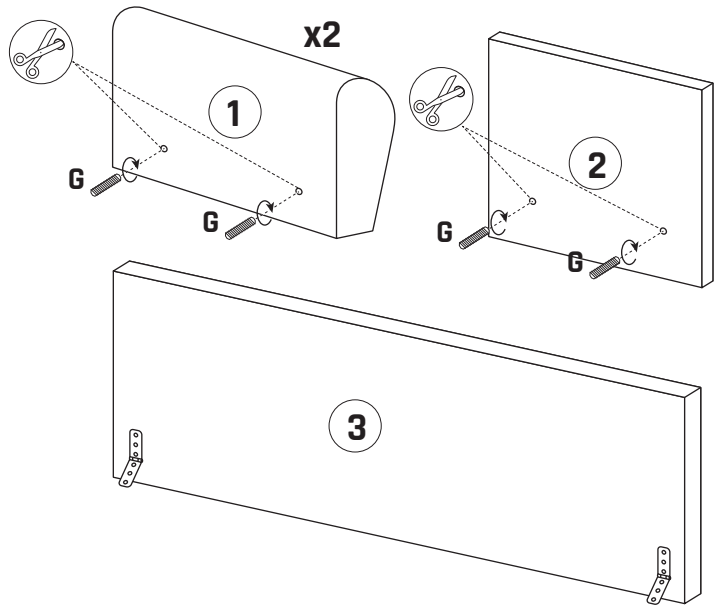
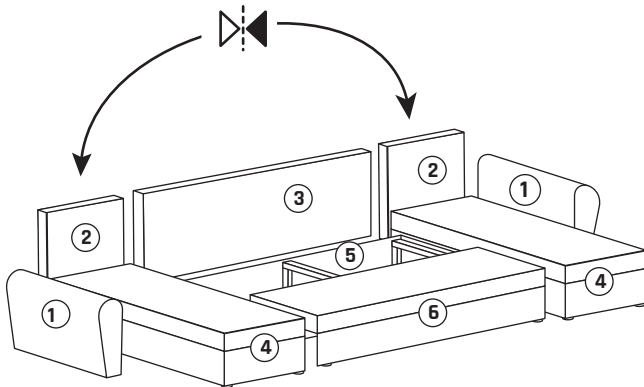
F - M8  
8 pcs.



G - M8 x 60mm  
8 pcs.



H - 4,2 x 25mm  
6 pcs.



x2

