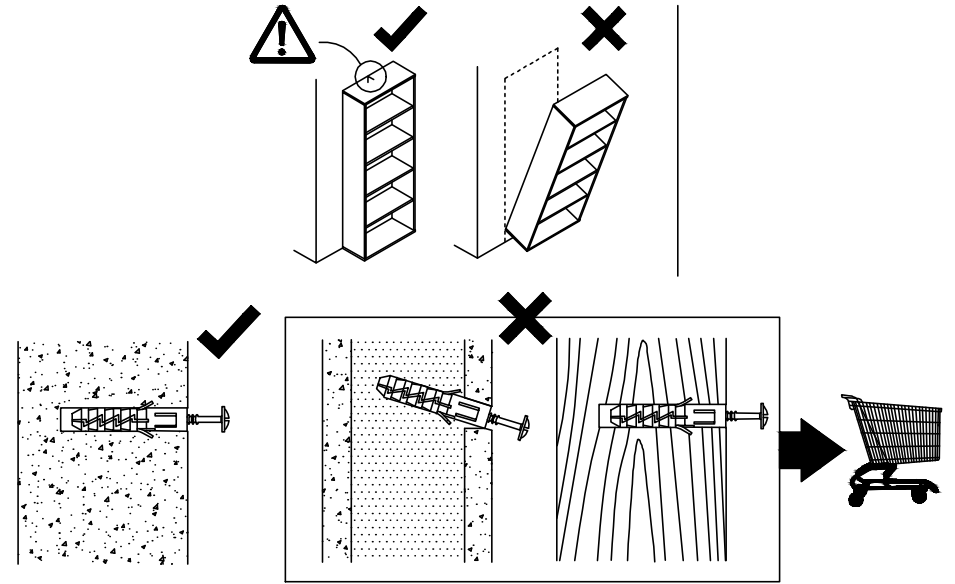
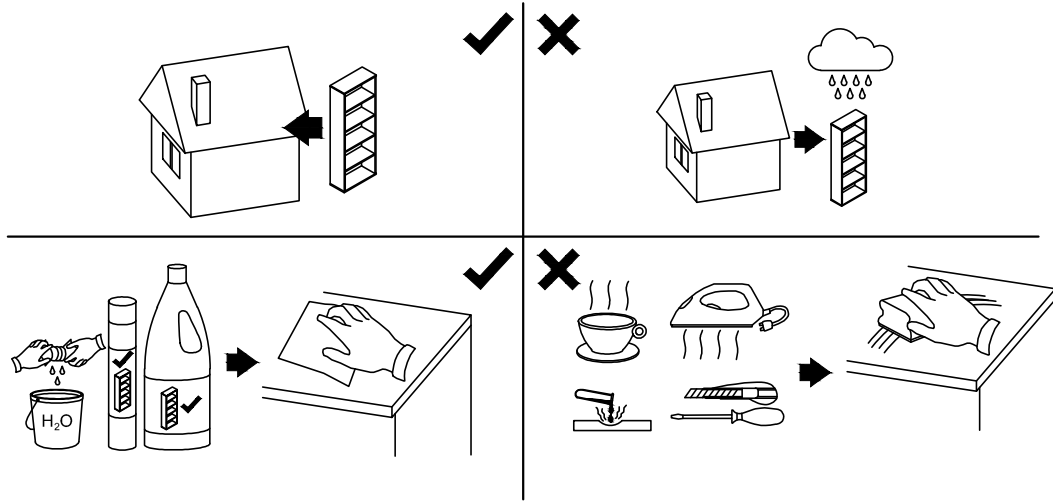
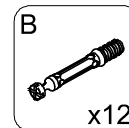
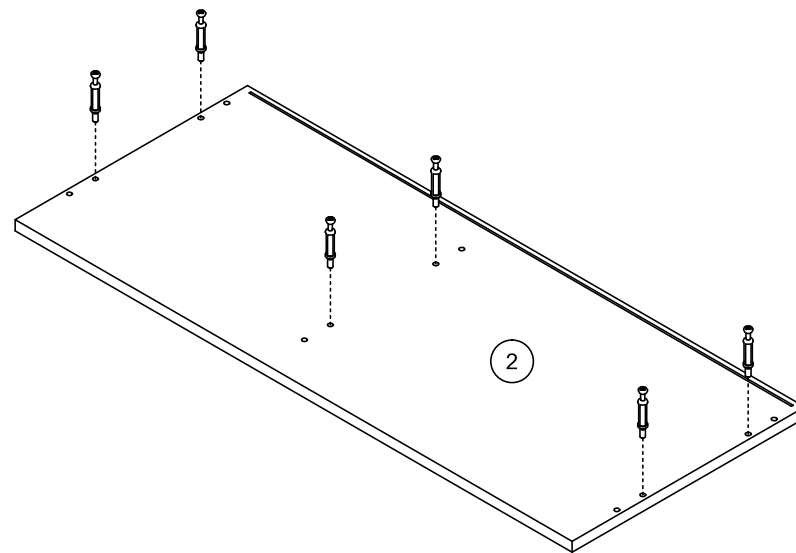
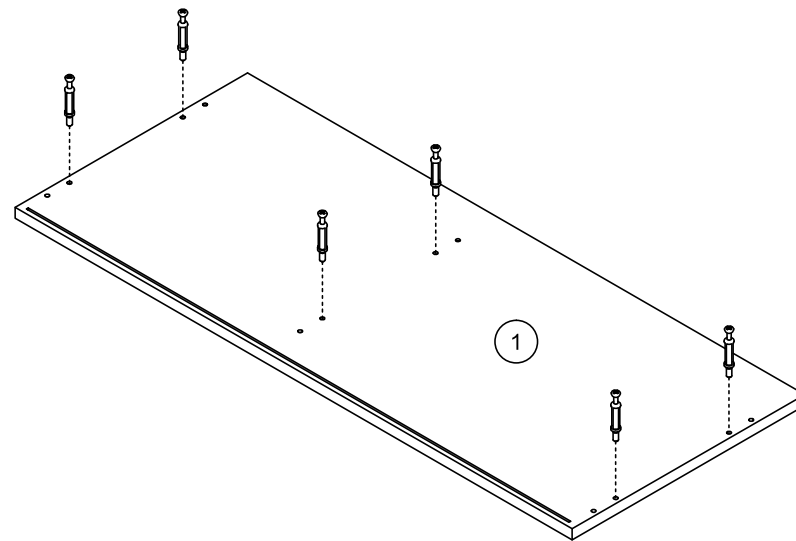
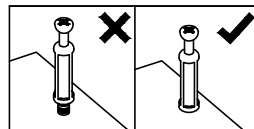
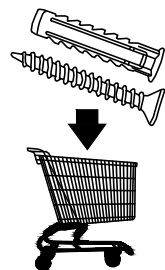
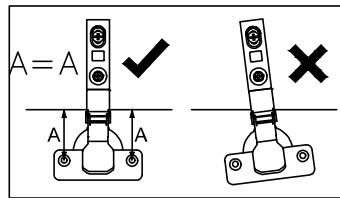
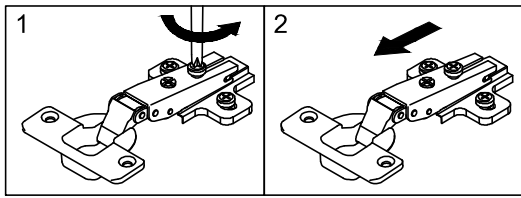


ZA x1	NS 4x16 x4	ZZ x8	W+H2 x4	C x20	Z x20	ND 3,5x16 x15	X x16
B x20	A 8x32 x20	TA x1	ZC x9	N 3x20 x9	R3 x2	ZE x4	KS x4

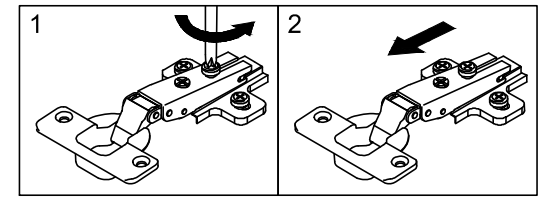
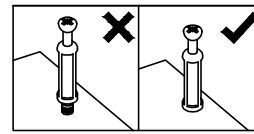


1	934	390	16	x1	2 / 3
2	934	390	16	x1	2 / 3
3	1118	390	16	x1	2 / 3
4	1118	357	16	x1	2 / 3
5	1118	390	16	x1	2 / 3
6A	1130	507	3	x1	3 / 3
6B	1130	407	3	x1	3 / 3
7	393	350	16	x2	3 / 3
8	392	350	4	x1	3 / 3
9	493	350	16	x2	3 / 3
10	324	396	16	x1	3 / 3
11	544	387	4	x1	3 / 3
12	324	396	16	x1	3 / 3
13	1112	496	16	x1	3 / 3

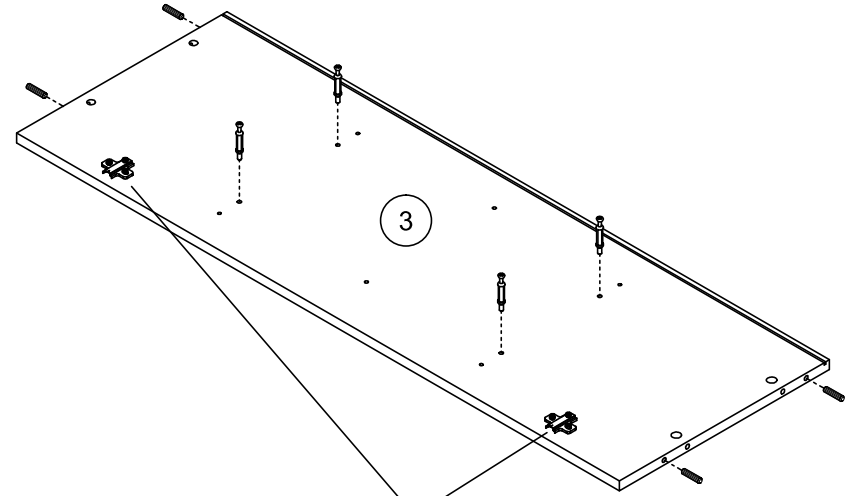
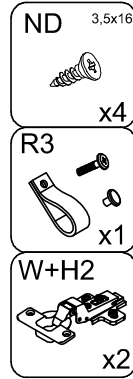
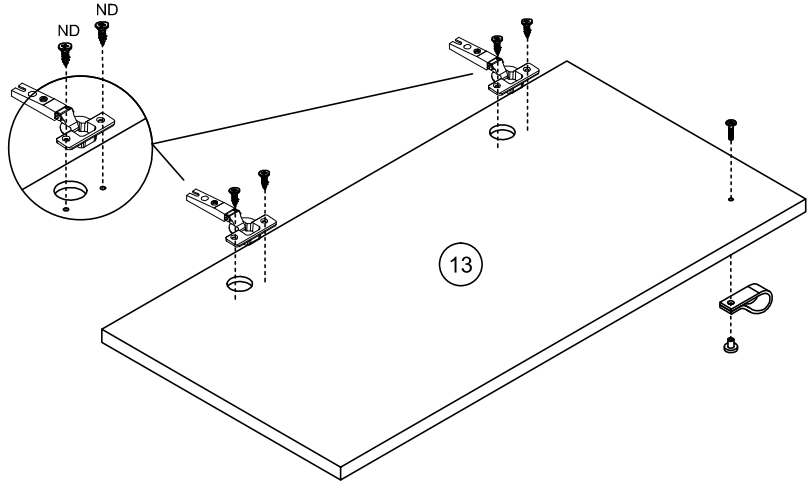




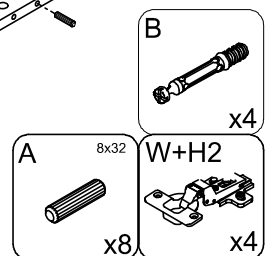
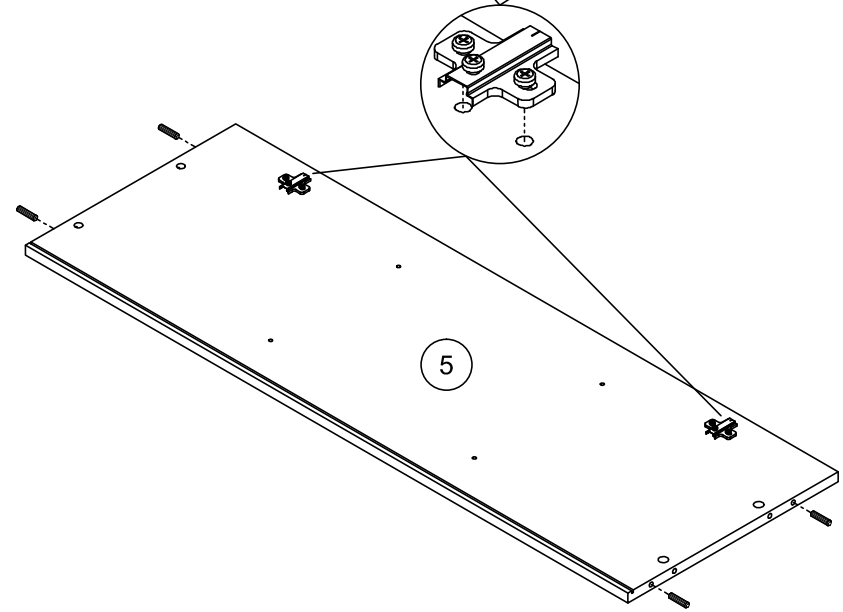
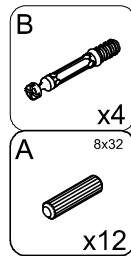
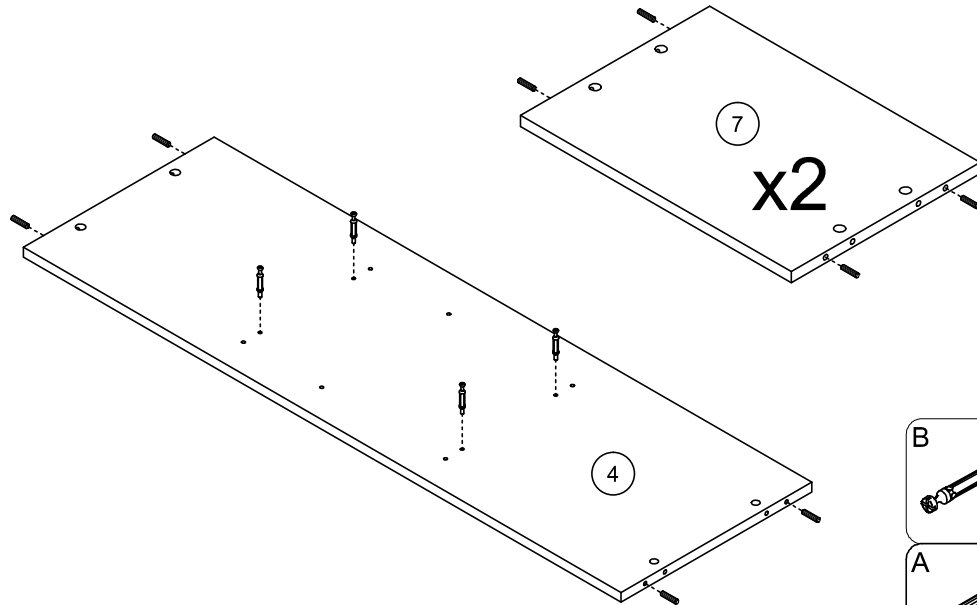
2

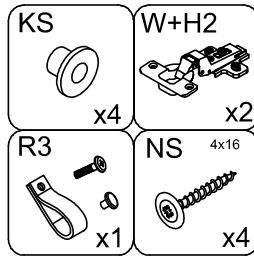
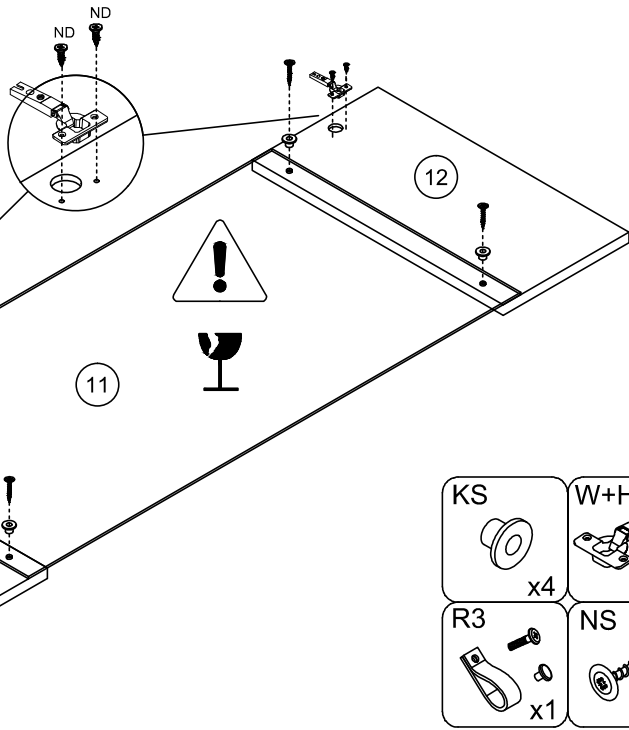
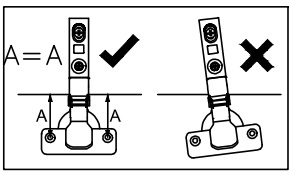


4

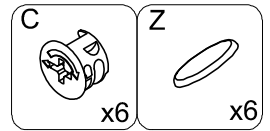
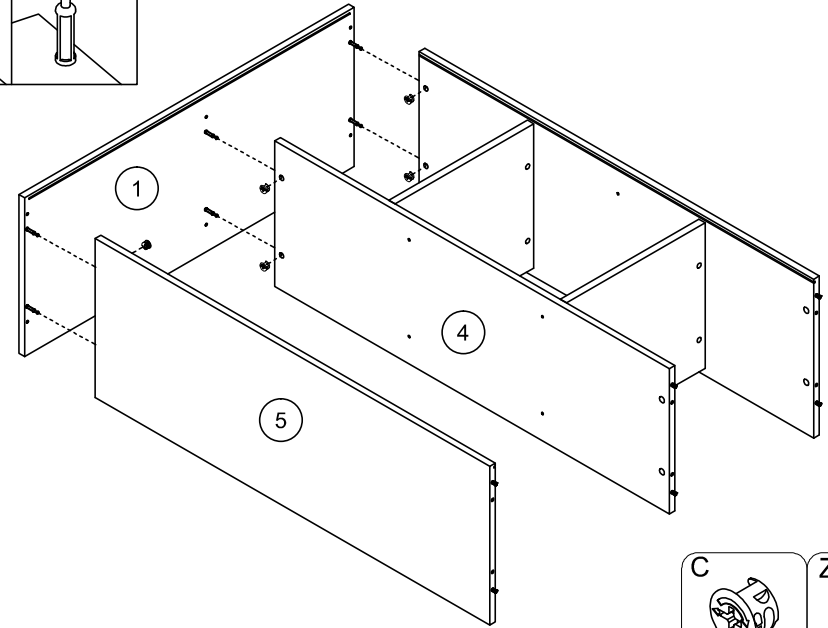
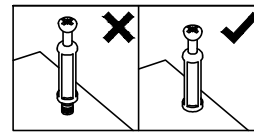


3

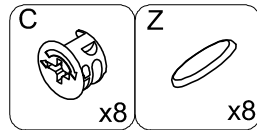
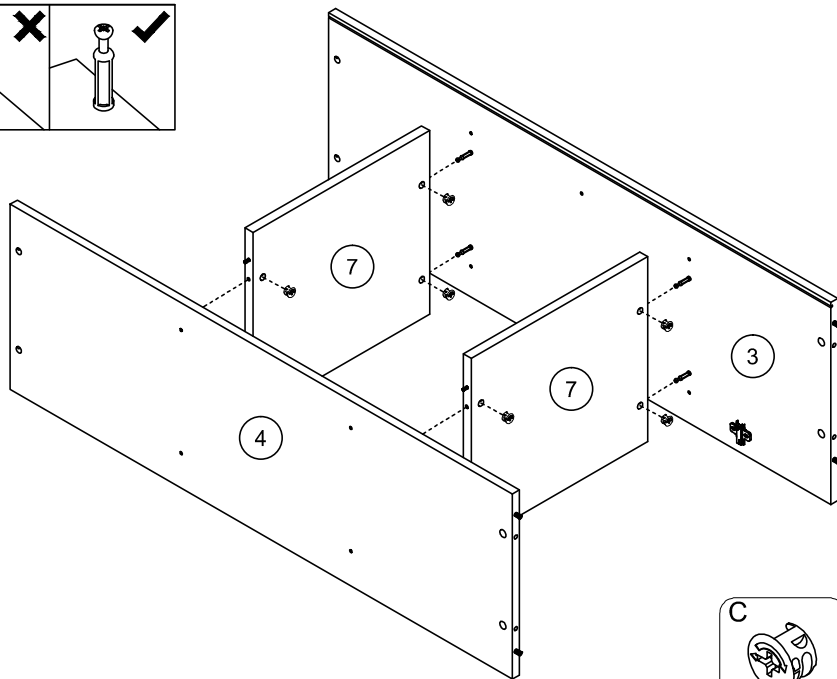
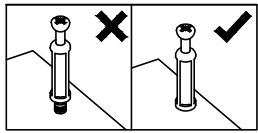




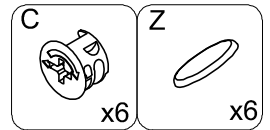
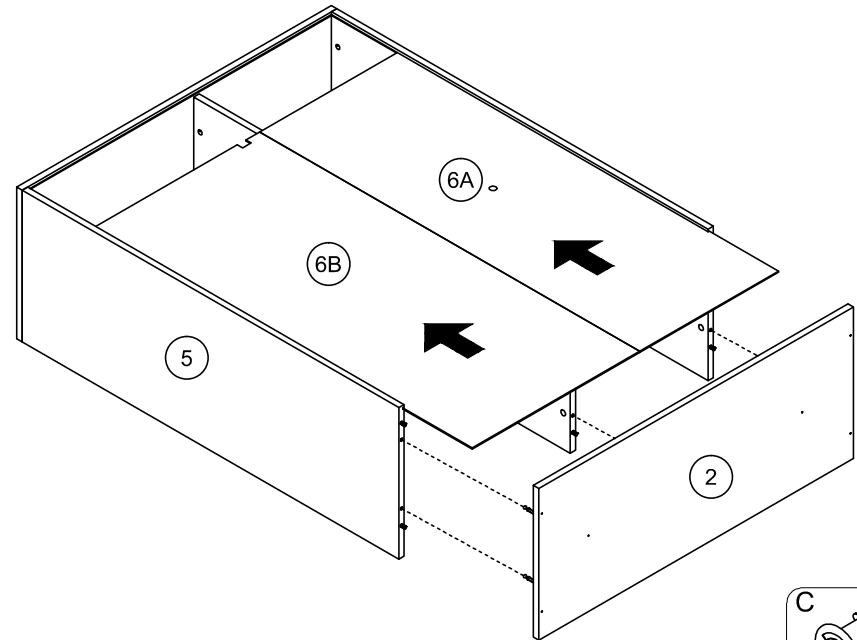
5



7



6



8

