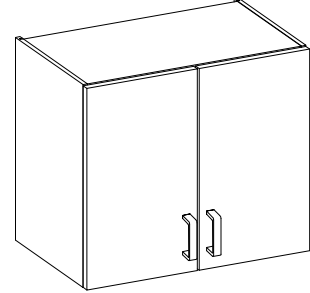
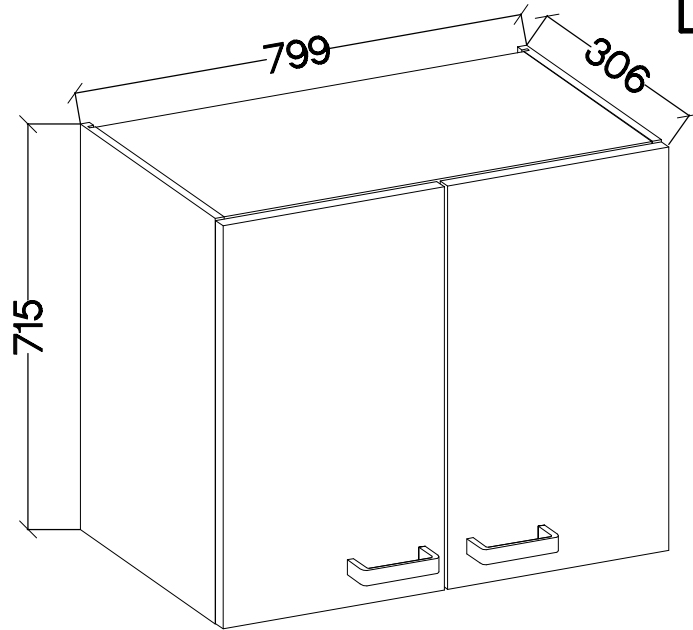
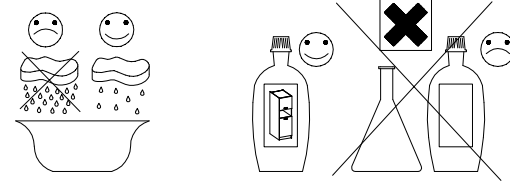
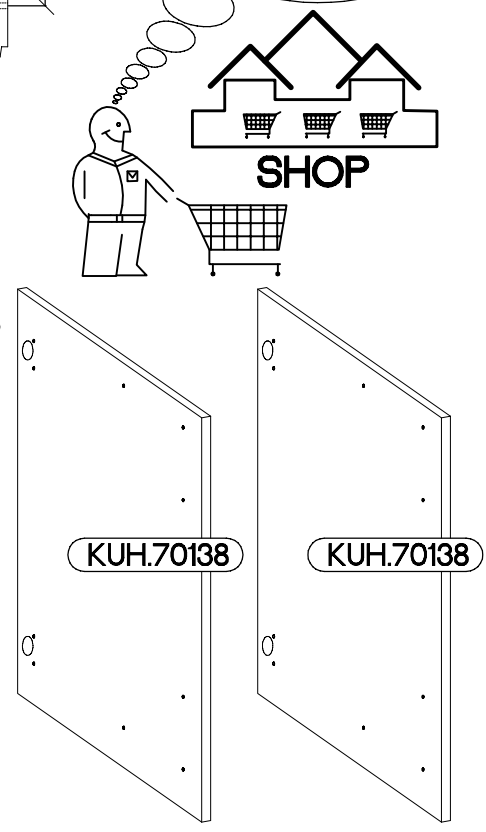
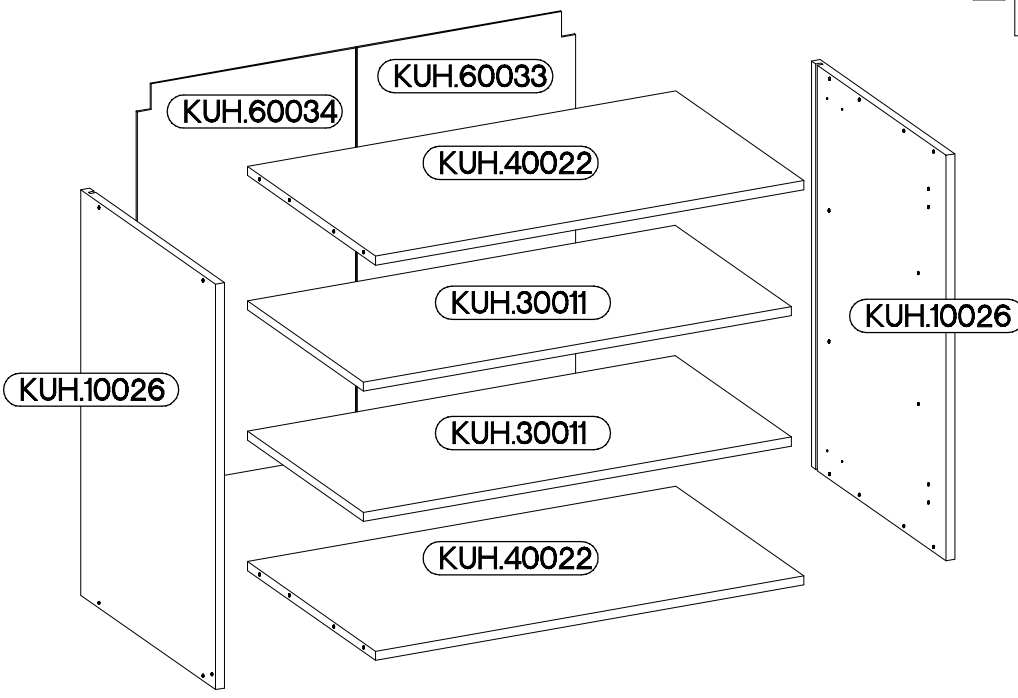
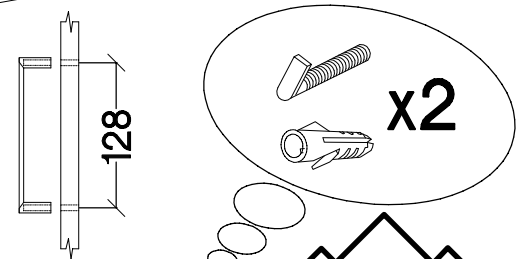
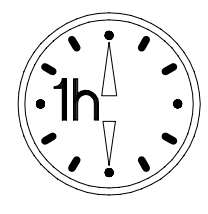


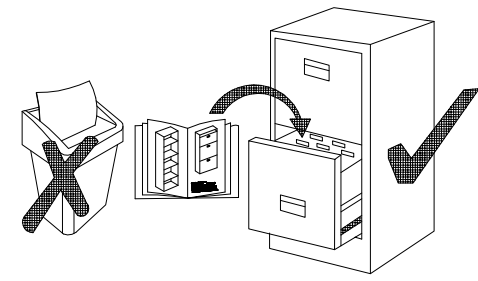
80 G-72 2F



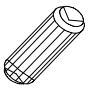
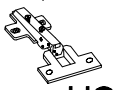

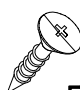
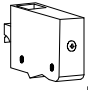
max. 5kg
 KUH.30011
 KUH.40022

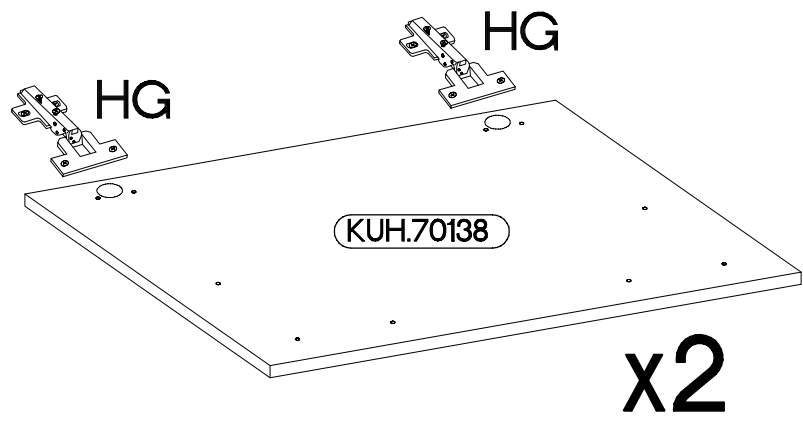
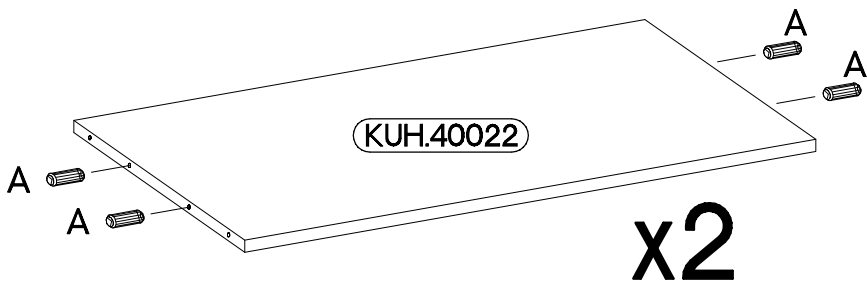
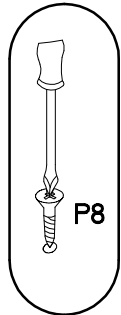
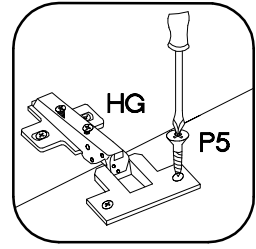
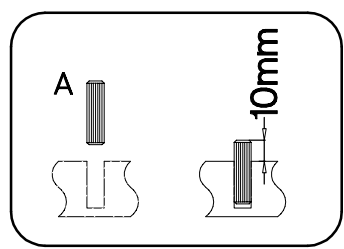
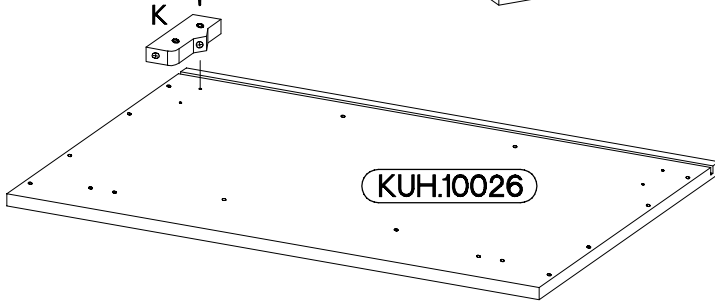
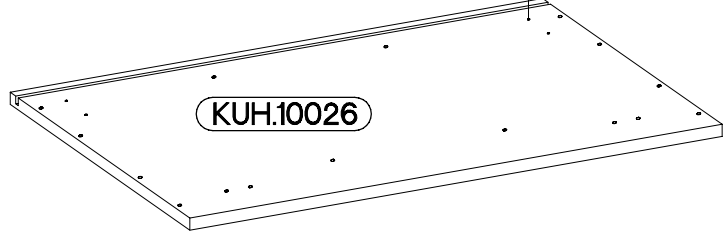
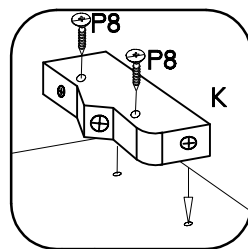
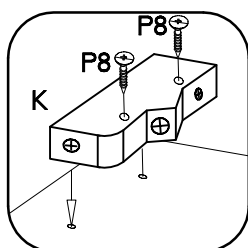
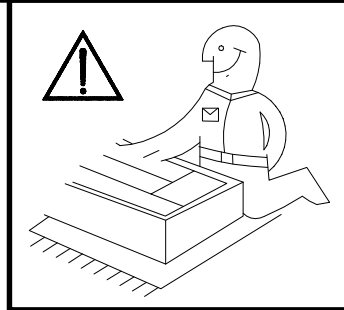


+8x30mm A 8	6,4 x 50mm B 8	E1 8	+35/0mm HG 4	+5/19mm J 8	K 2	L1=680mm L1 1
O 1	+3.5x13mm P5 8	+3.0x20mm P7 10-15	+4.0x30mm P8 4	S23 2	M4x22mm U 4	



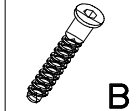
ISM-KUH-00931

+8x30mm  A 8	+35/0mm  HG 4	+3.5x13mm  P5 8	+4.0x30mm  P8 4	 K 2
---	--	--	--	--



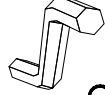
2

6,4 x 50mm



B

4



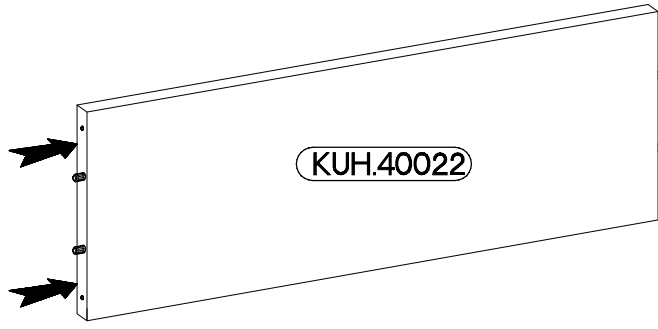
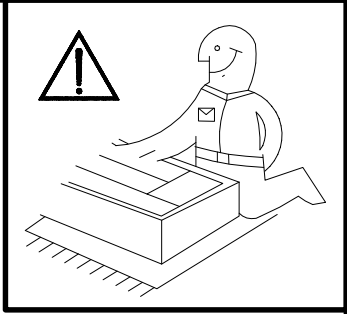
O

1

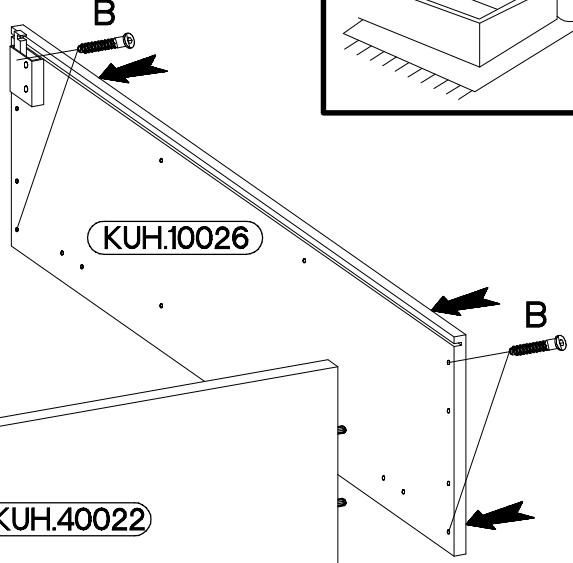


E1

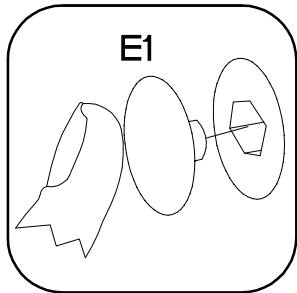
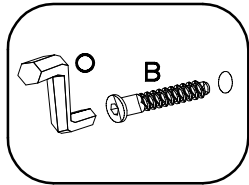
4



KUH.40022

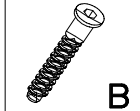


KUH.10026



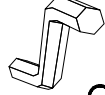
3

6,4 x 50mm



B

4



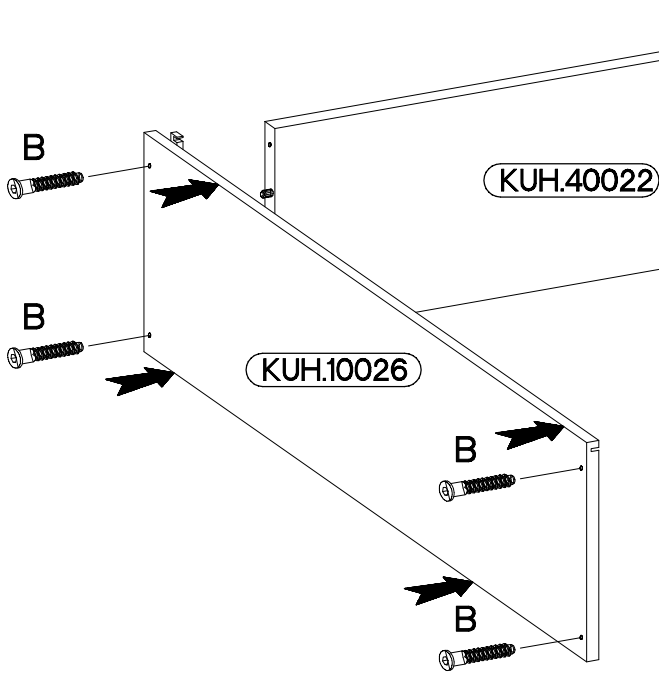
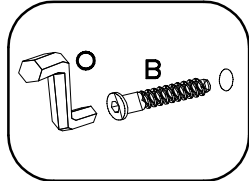
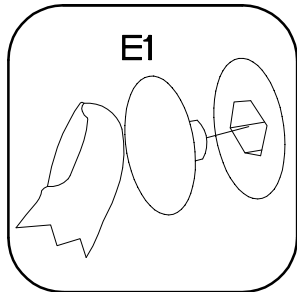
O

1



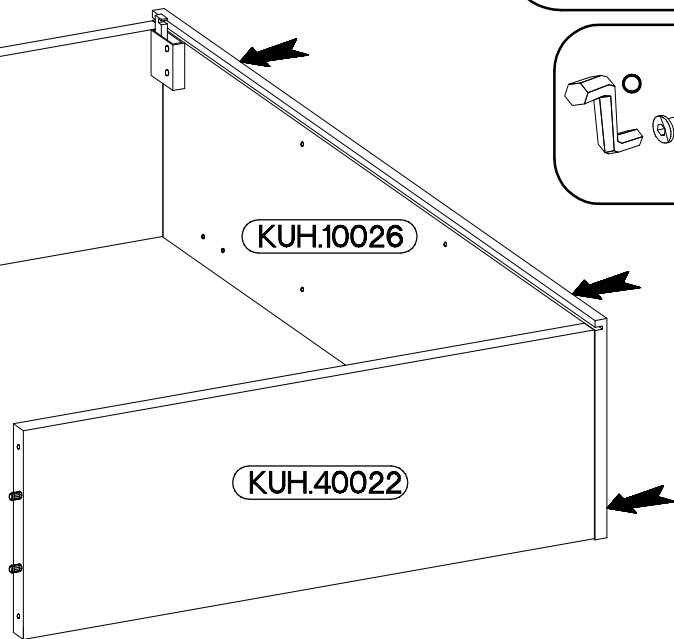
E1

4



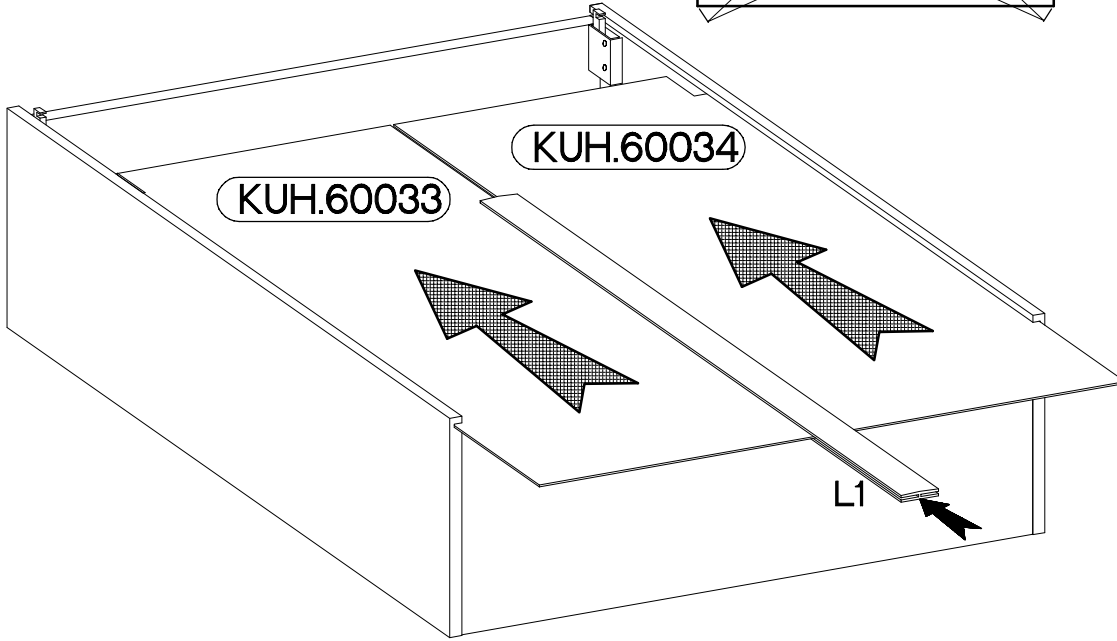
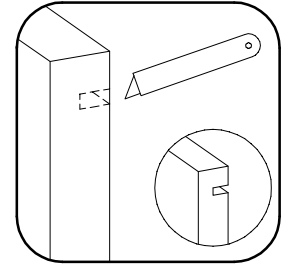
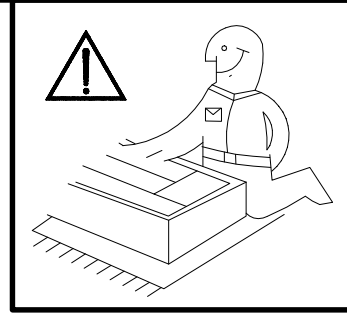
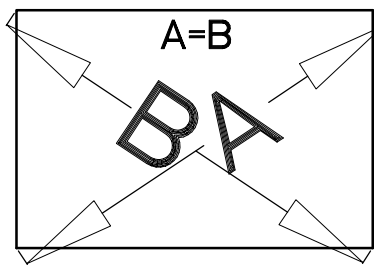
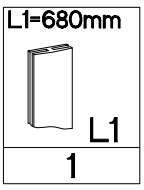
KUH.40022

KUH.10026

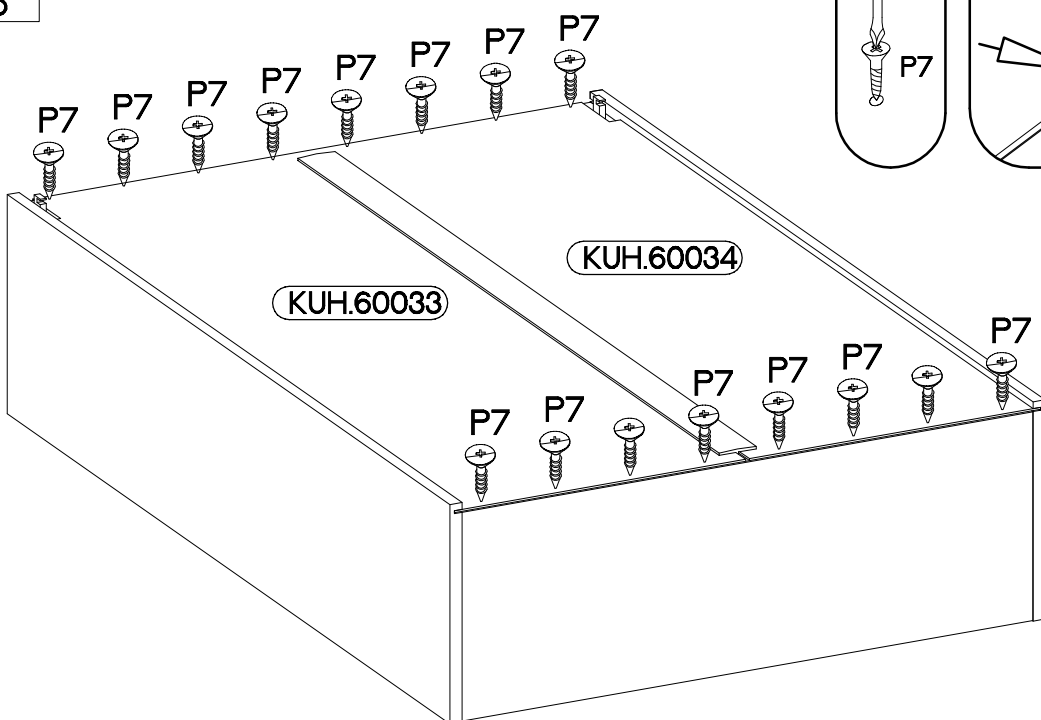
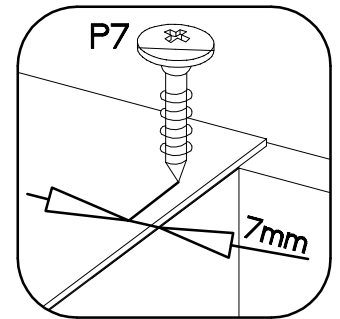
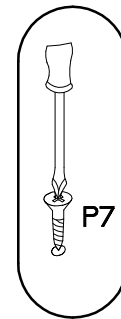
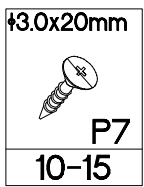


KUH.40022

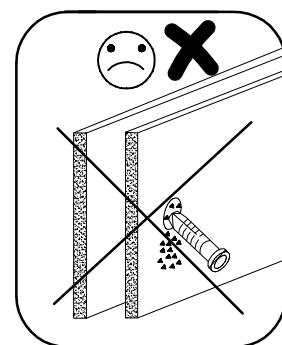
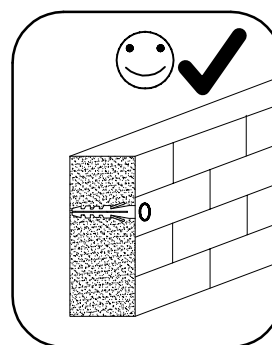
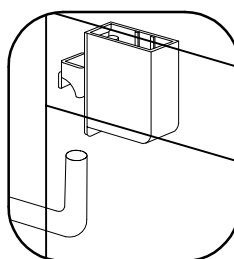
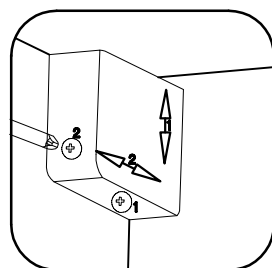
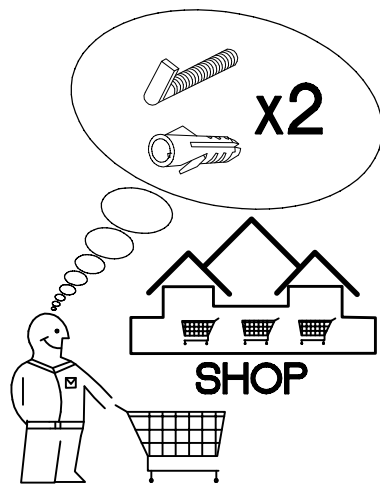
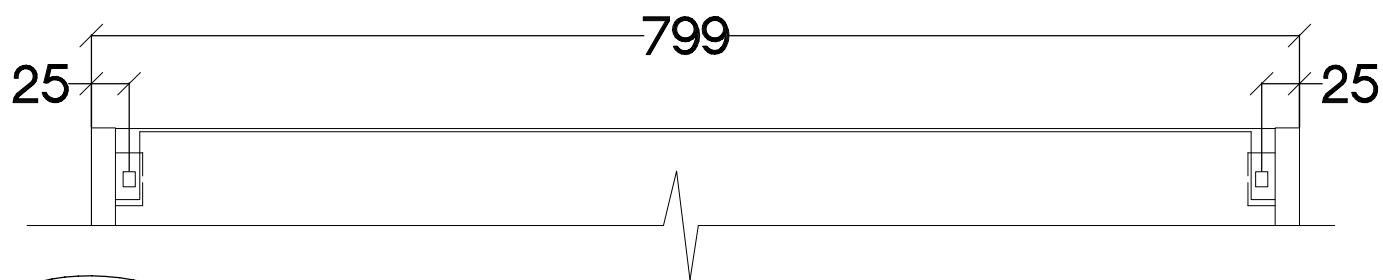
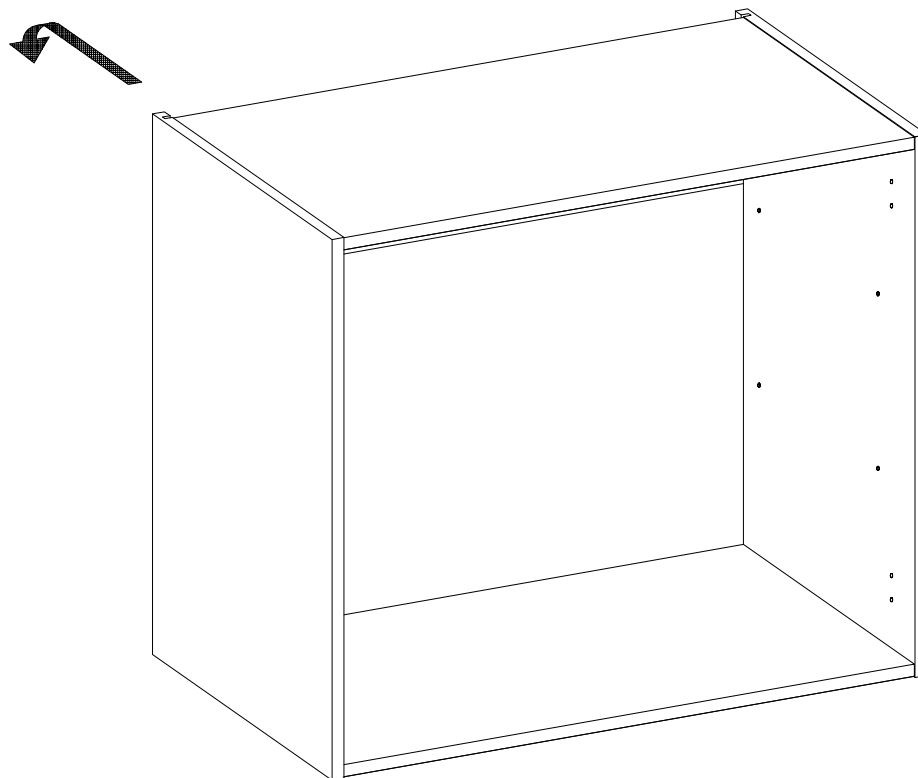
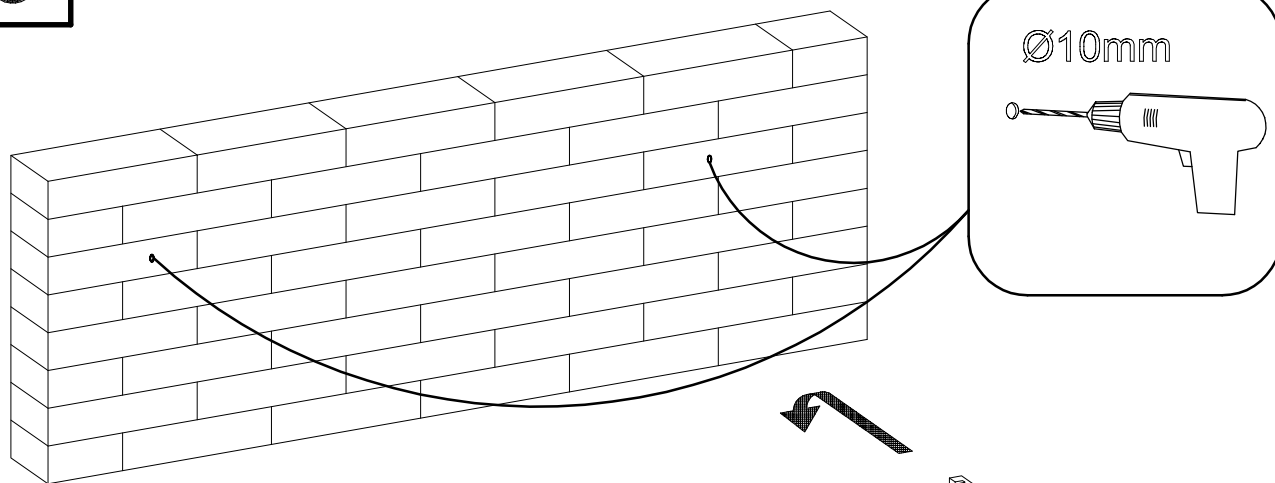
4



5

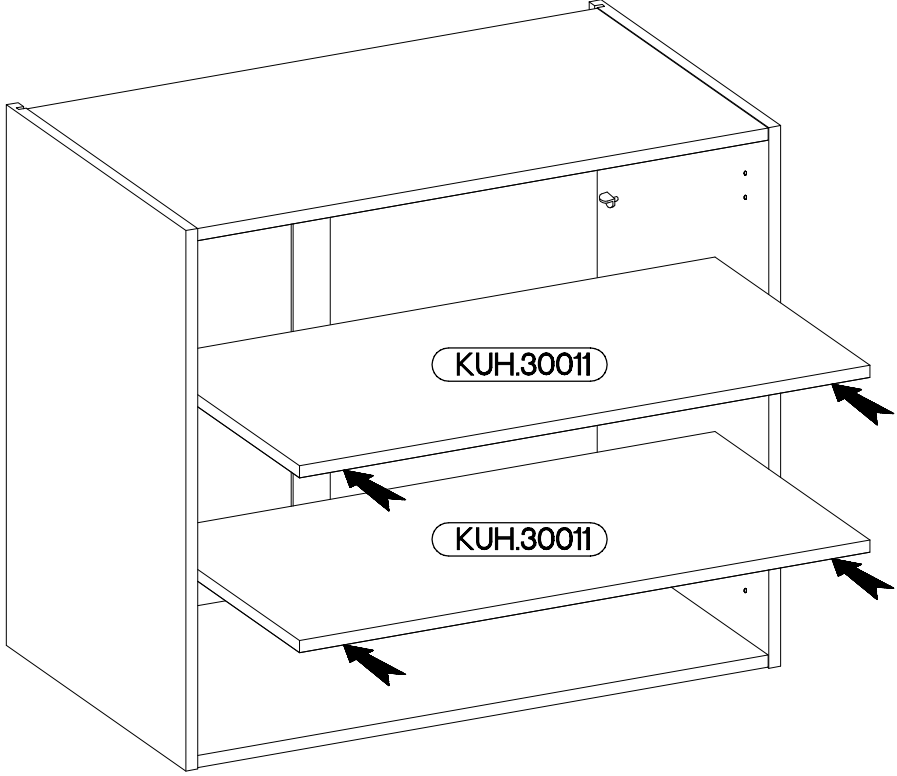
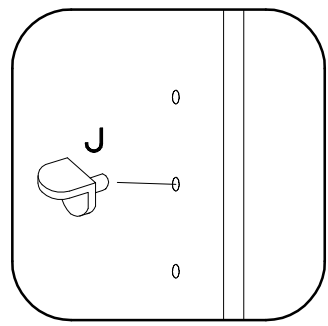


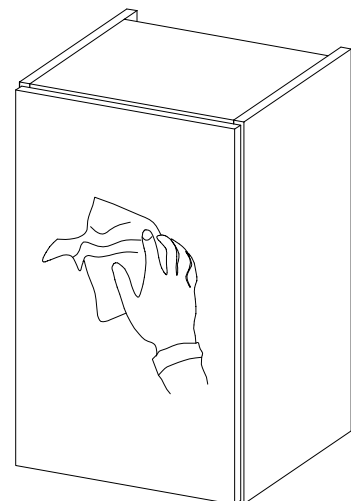
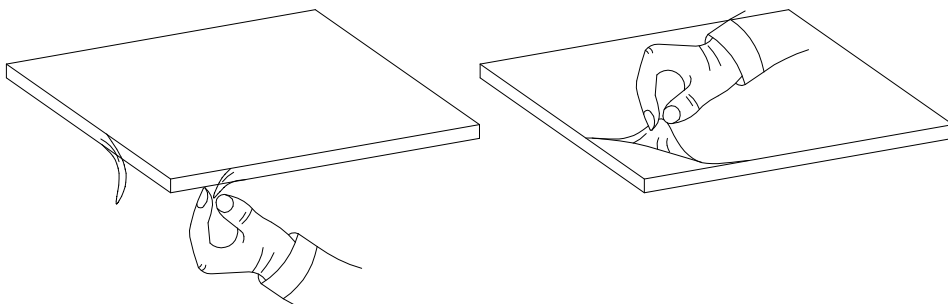
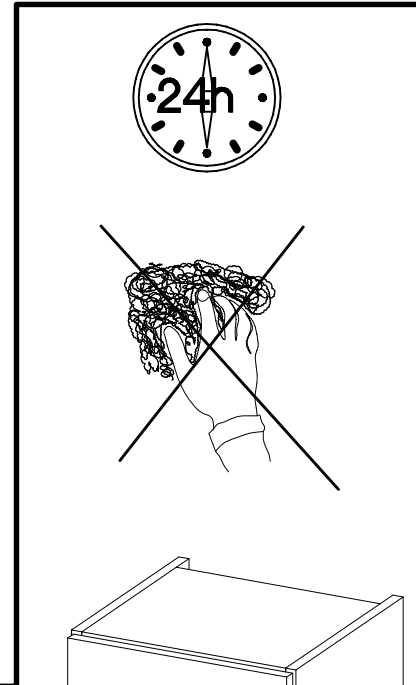
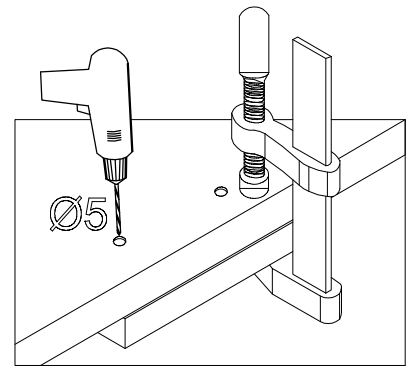
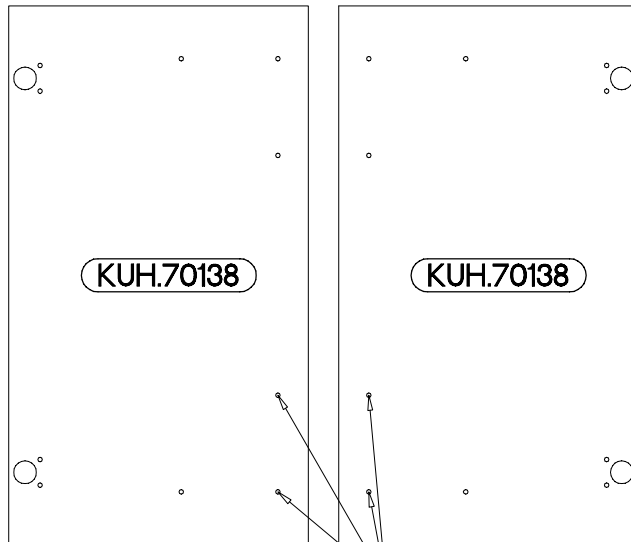
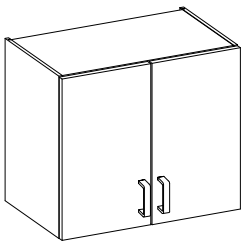
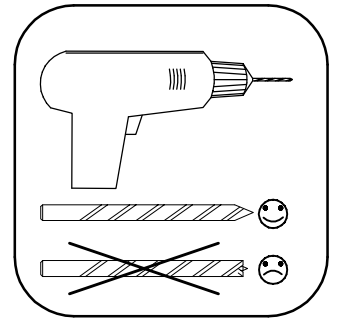
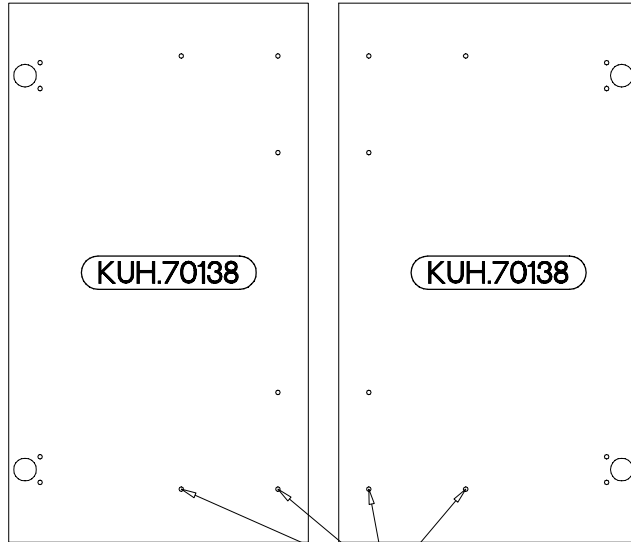
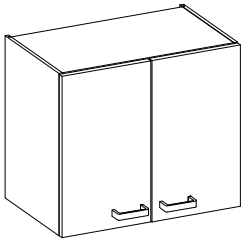
6





7

±5/19mm
J
4





M4x22mm	
	
U	S23
4	2

