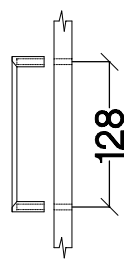
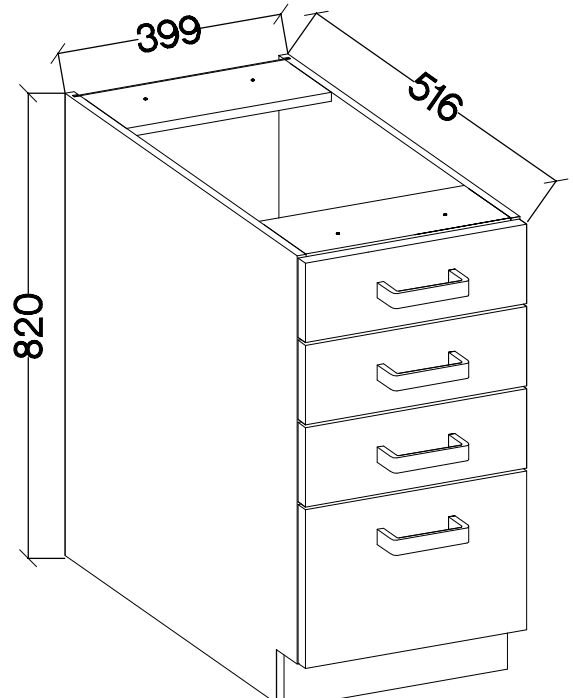
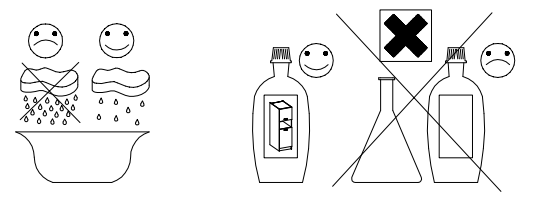
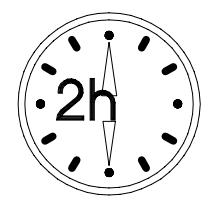


40 D 4S BB

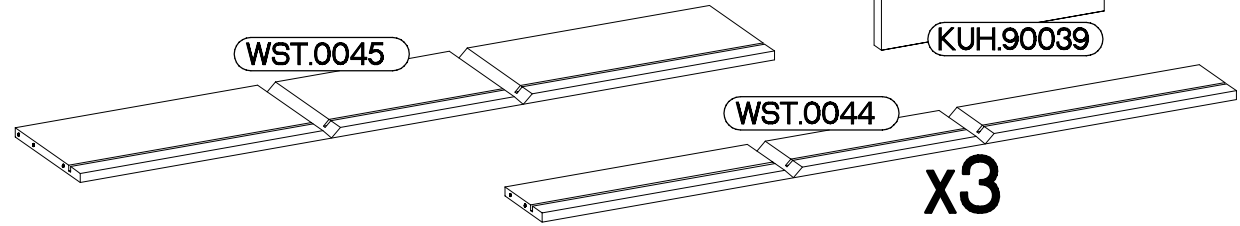
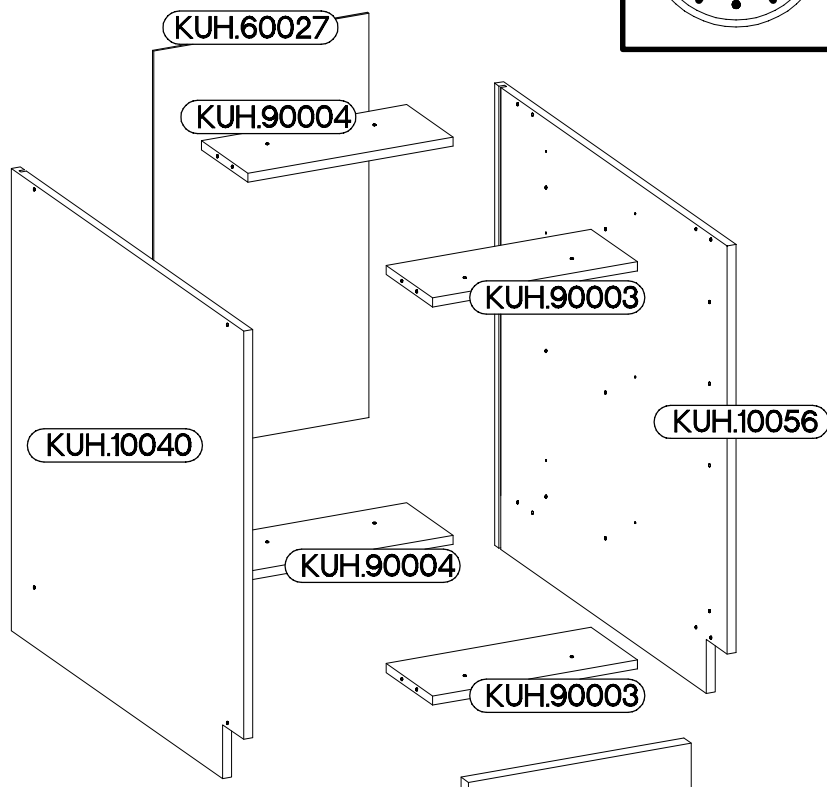
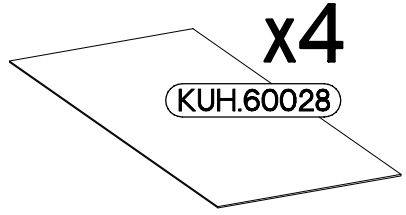


max. 5kg

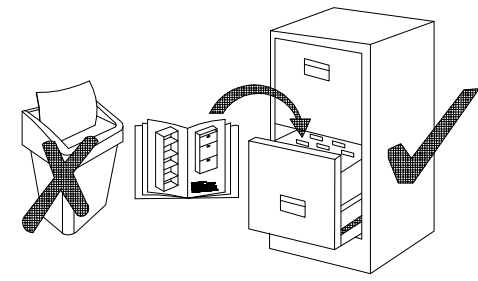
KUH.60028



- KUH.70149
- KUH.70149
- KUH.70149
- KUH.70150

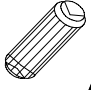



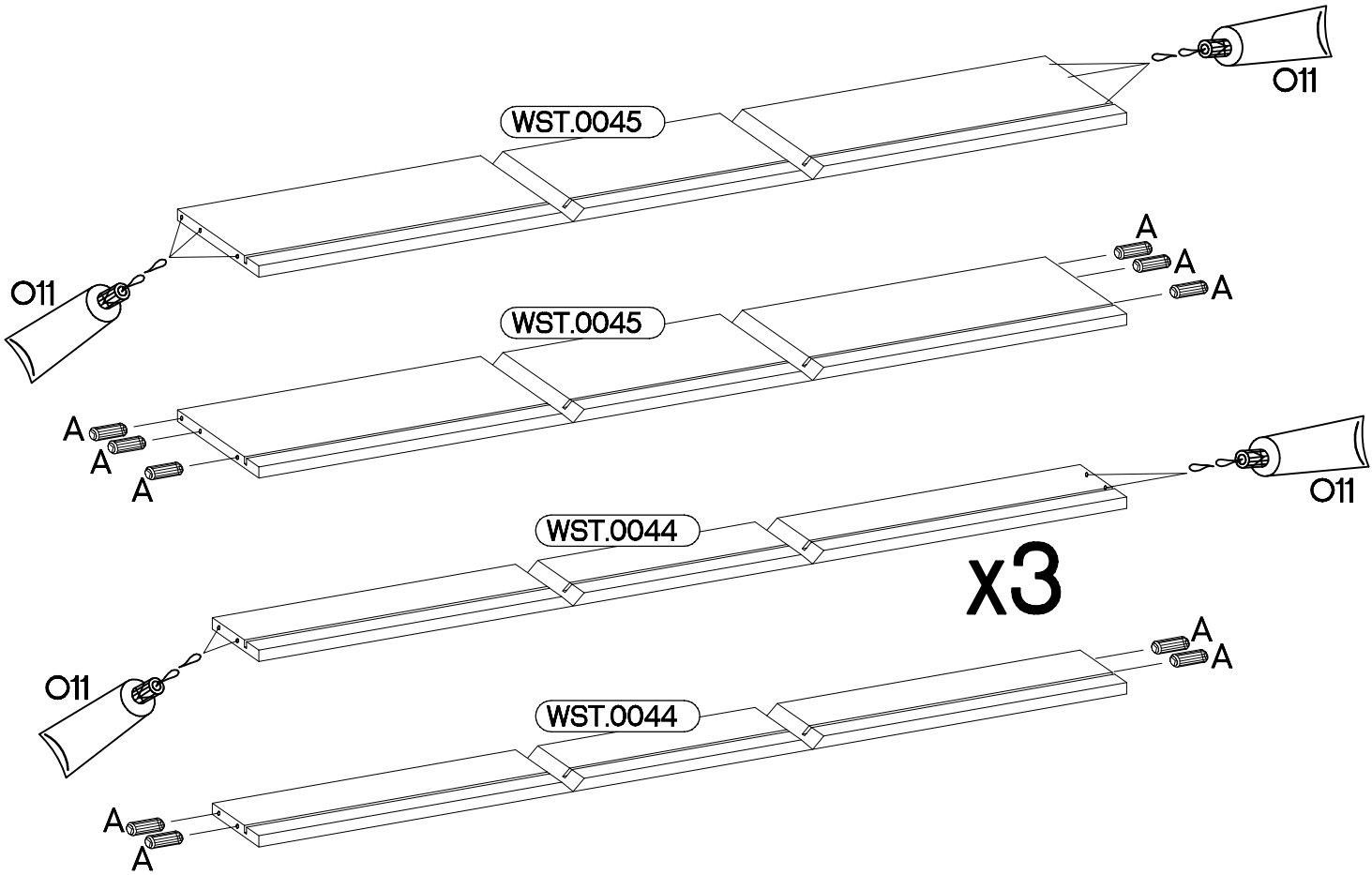
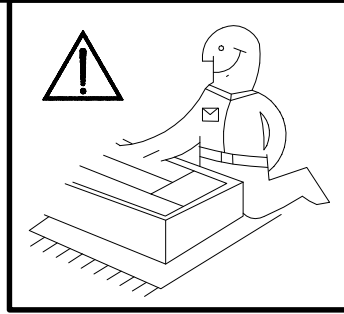
†8x30mm A	6,4 x 50mm B	E1	E9	6.5x48x16 F2	L=450mm I5
26	8	8	2	4	4
†5.0x13mm M	O	0,05	†4.0x45mm P4	†3.5x13mm P5	†3.5x20mm P6
24	1	1	2	32	12
†3.0x20mm P7	†4.0x35mm R3	S23	M4x22mm U	Z3	Z4
8-10	4	4	8	4	4




ISM-KUH-00918

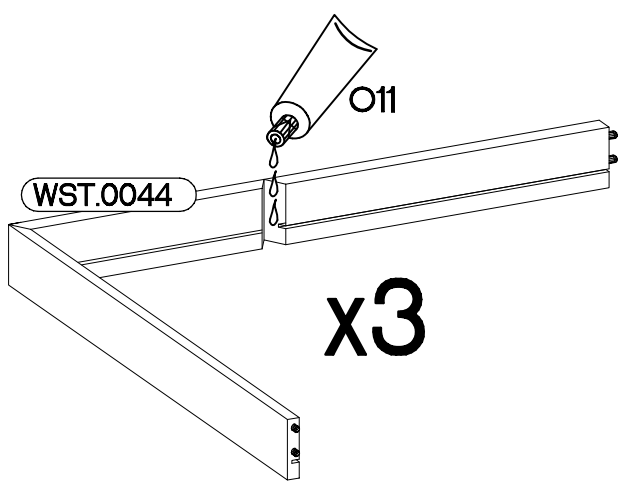
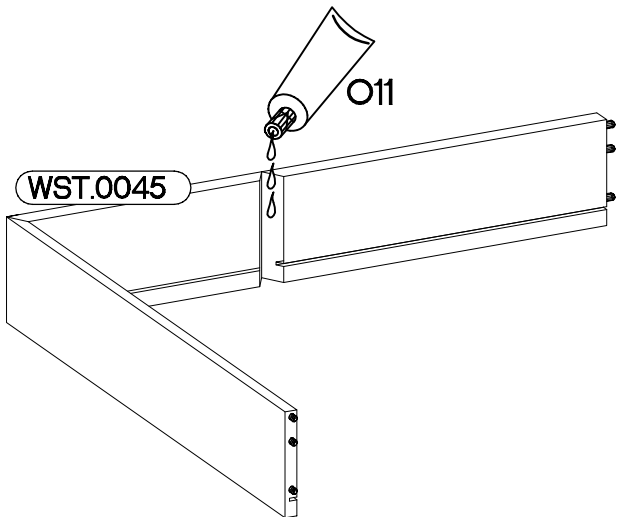
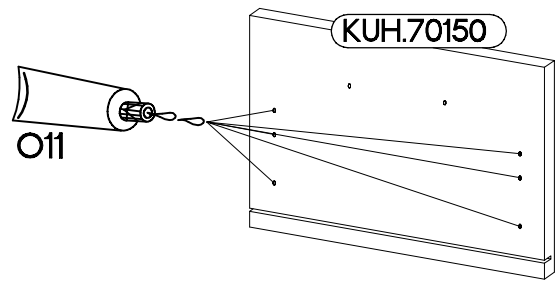
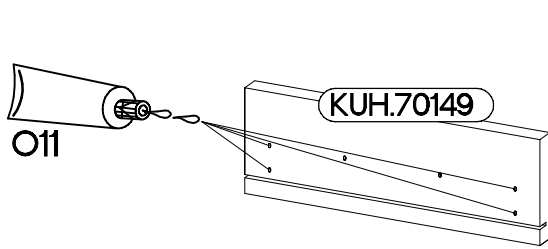
1

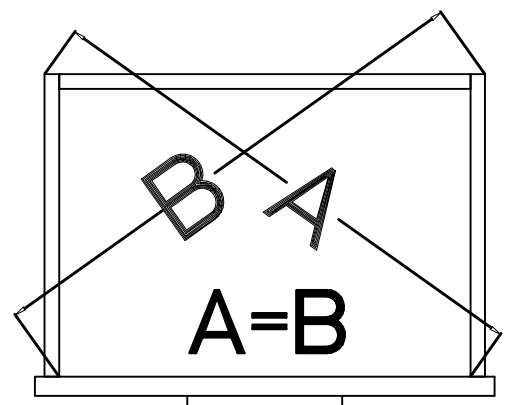
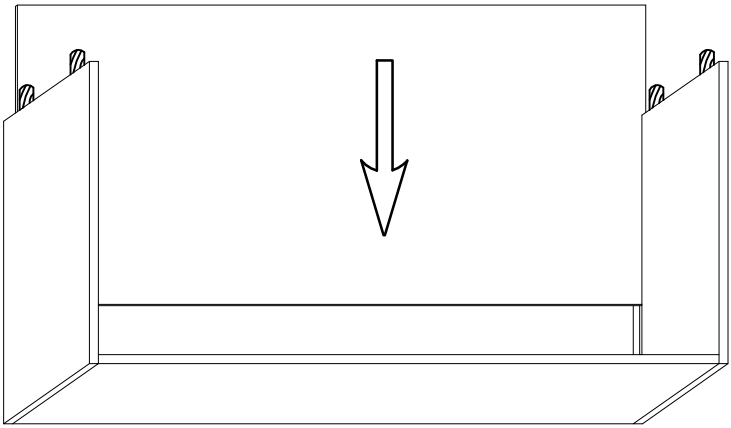
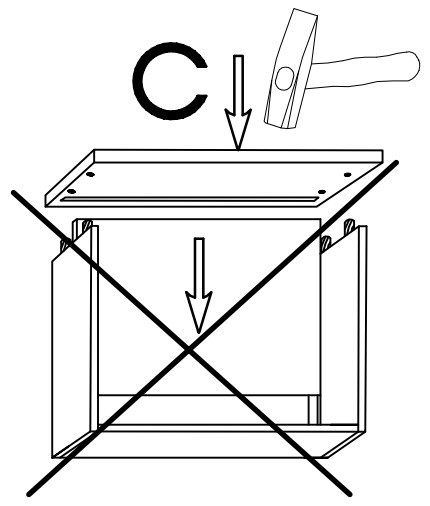
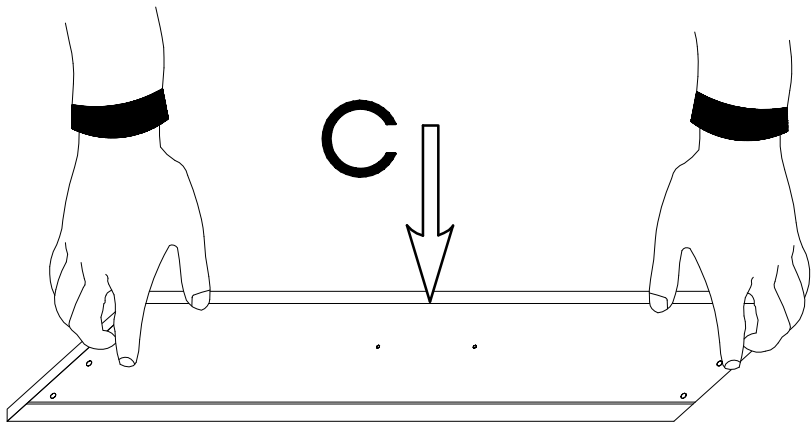
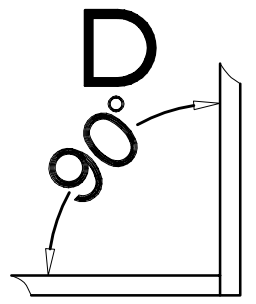
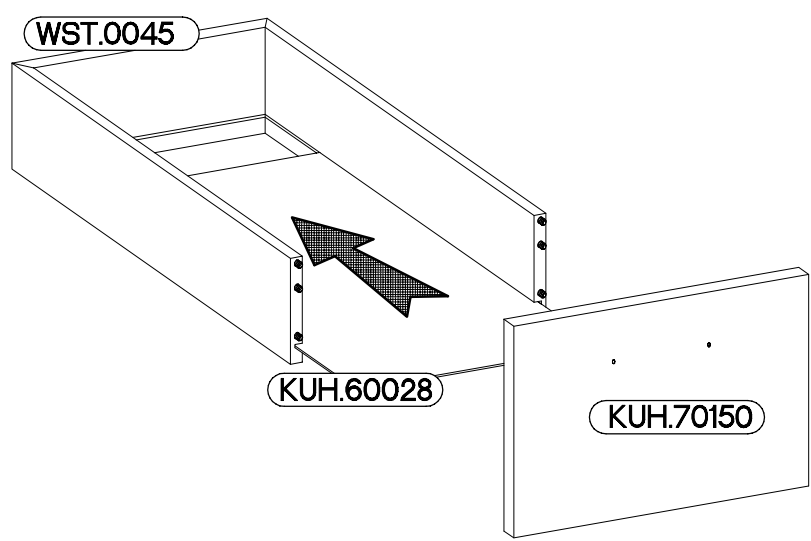
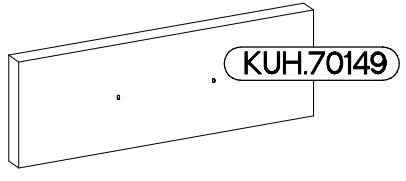
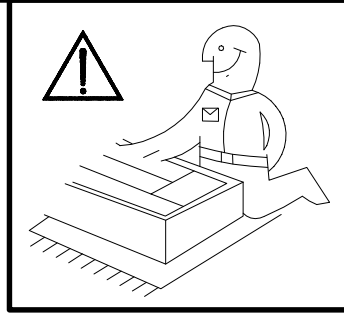
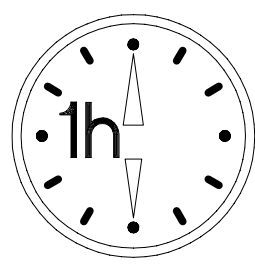
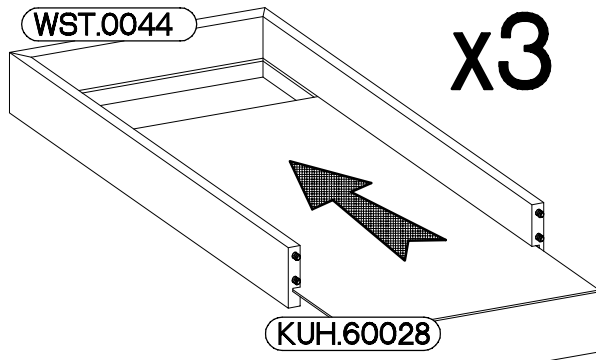
†8x30mm  A 18	0,05  O11 1
--	--



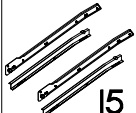


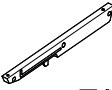

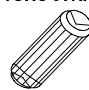
2

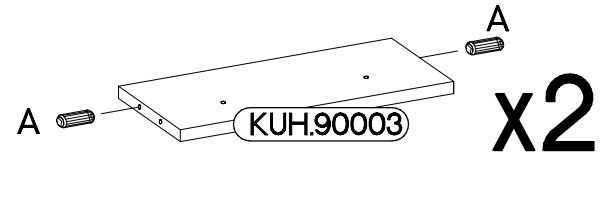
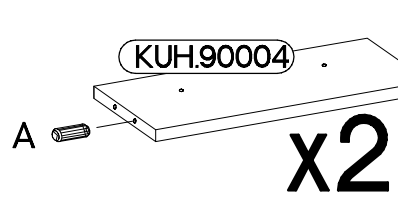
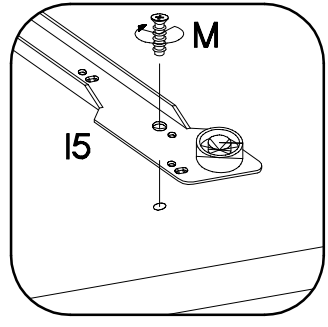
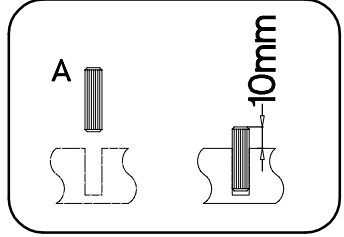
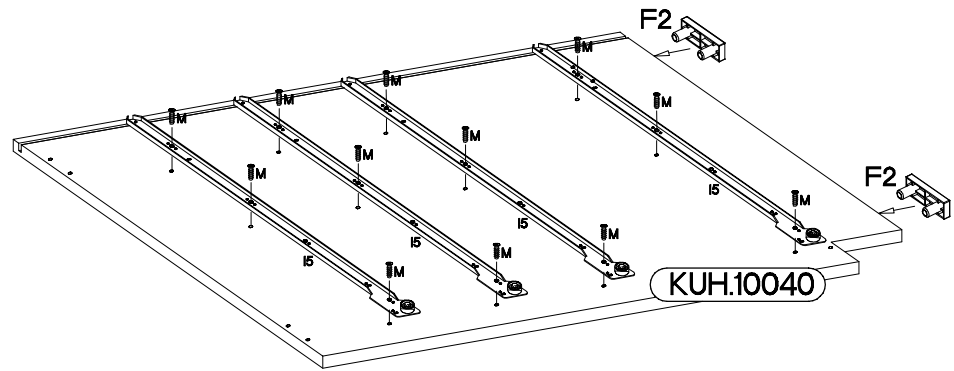
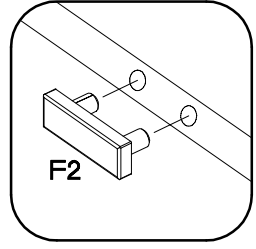
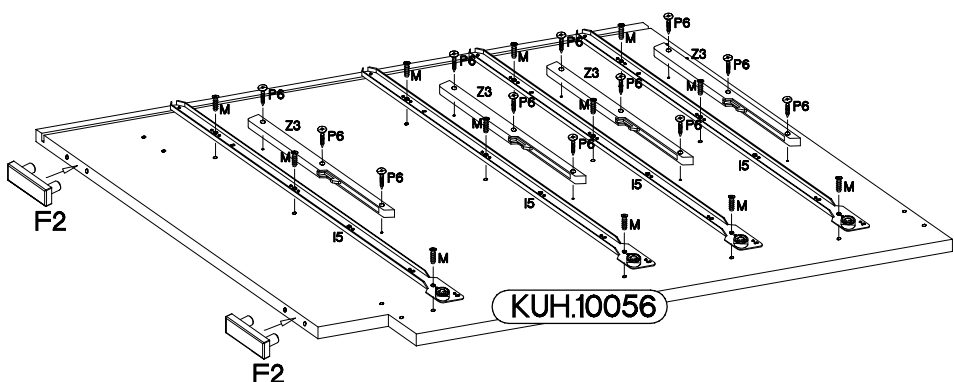
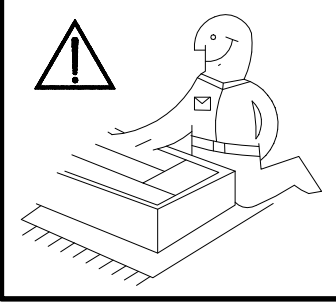
0,05  O11 1
---




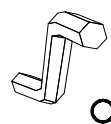



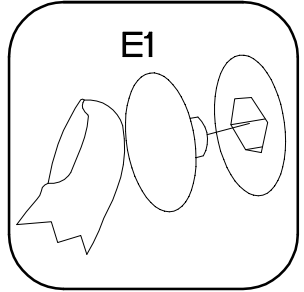
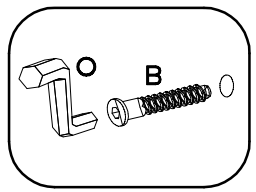
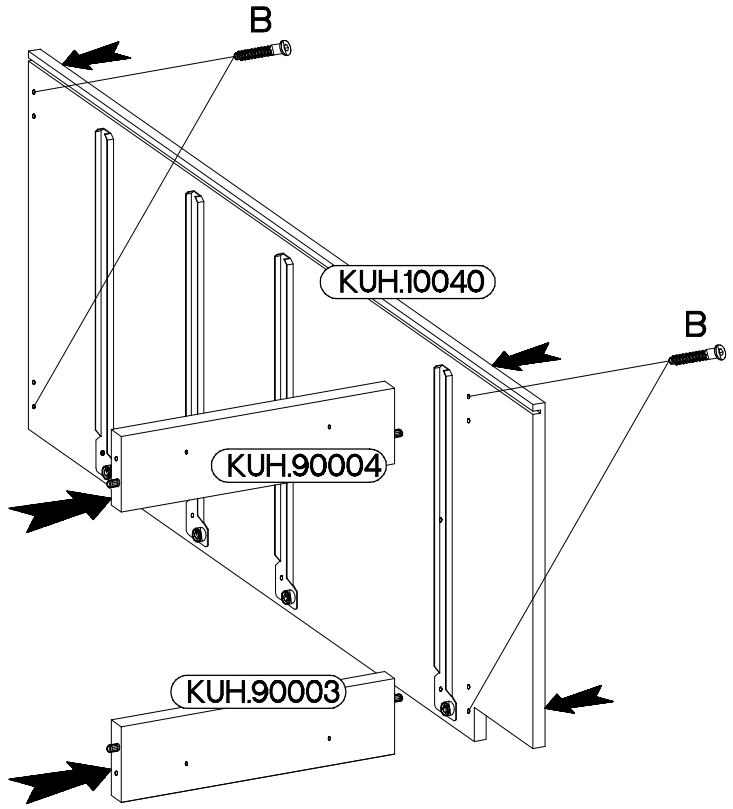
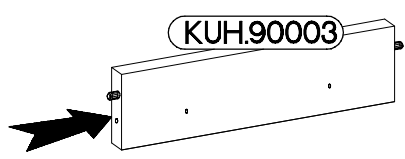
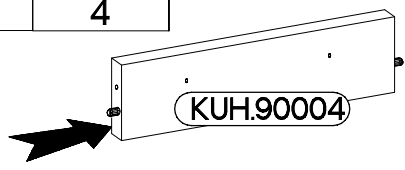
4

L=450mm  I5 4	±5.0x13mm  M 24	6.5x48x16  F2 4	 Z3 4	±3.5x20mm  P6 12	±8x30mm  A 8
--	--	--	---	---	---



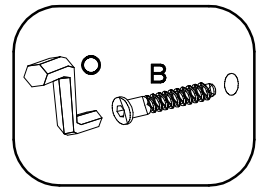
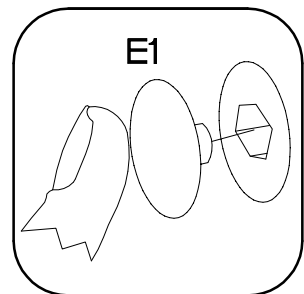
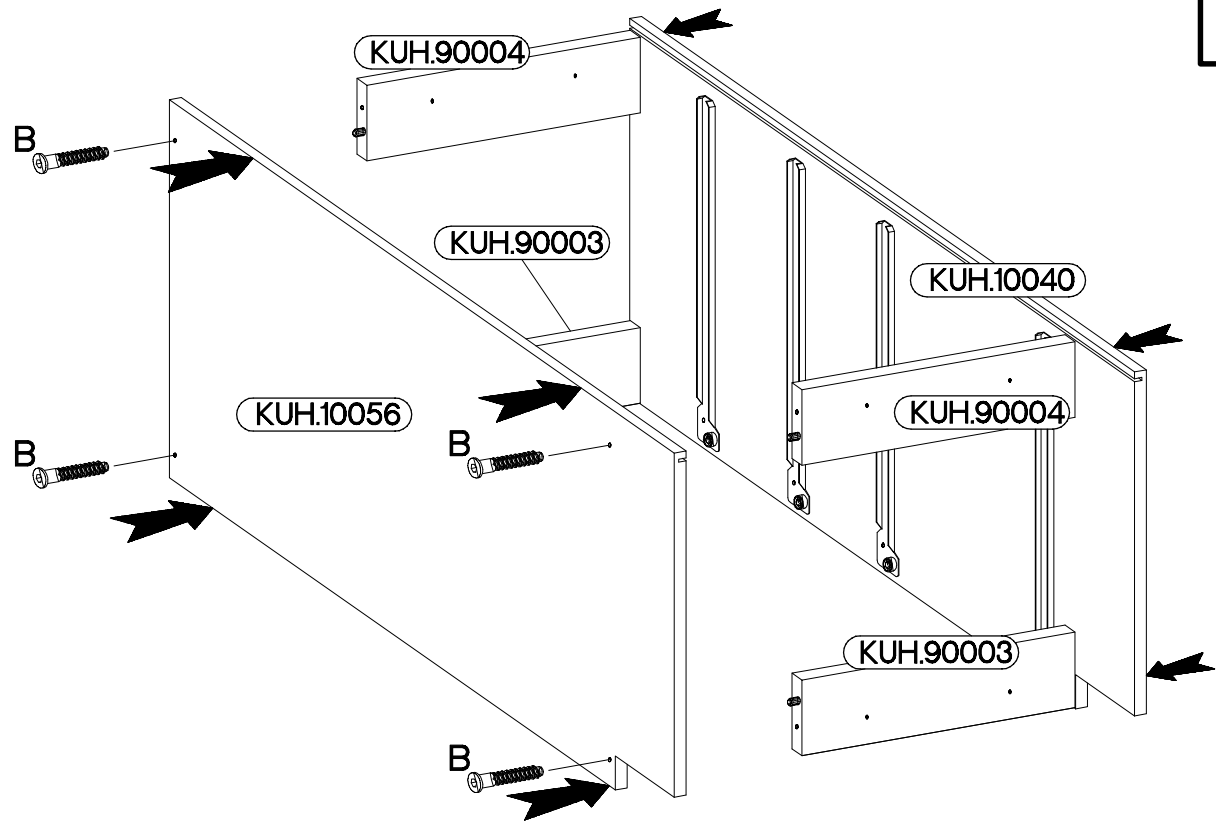
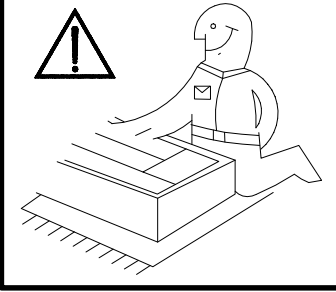
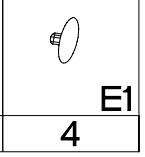
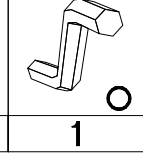
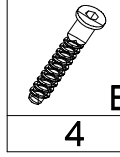
5

6,4 x 50mm  B 4	 O 1	 E1 4
---	---	--

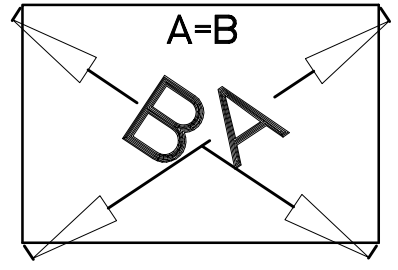
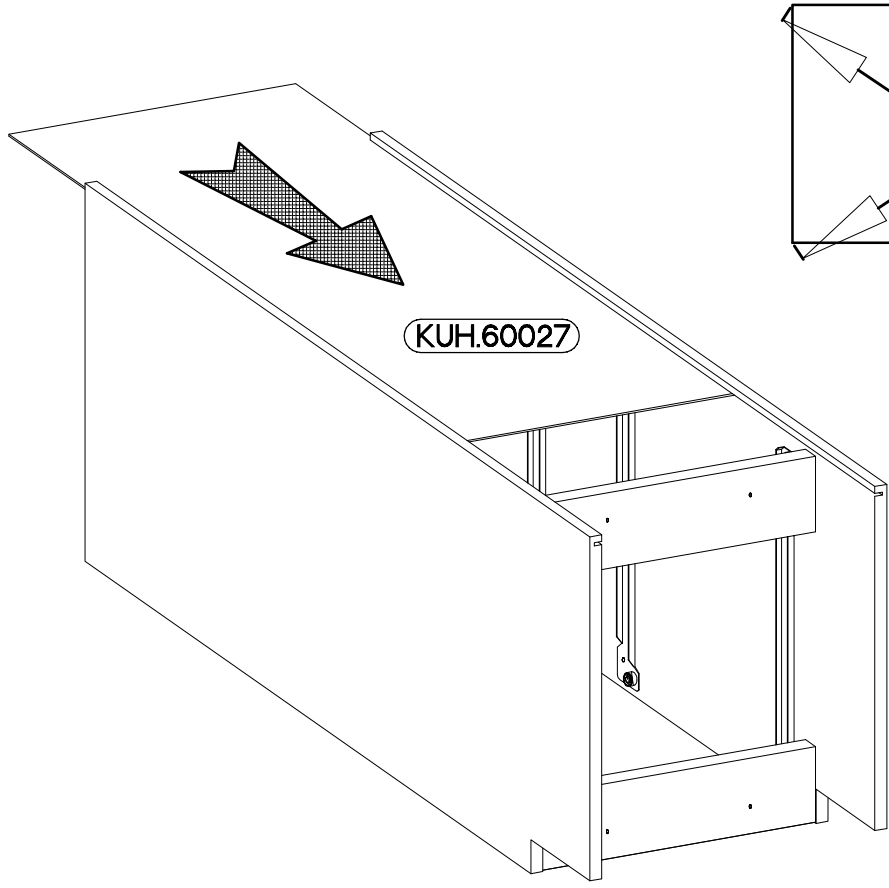


6


6,4 x 50mm

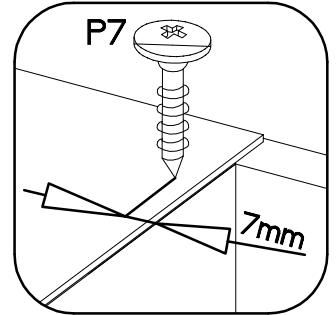
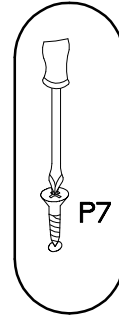
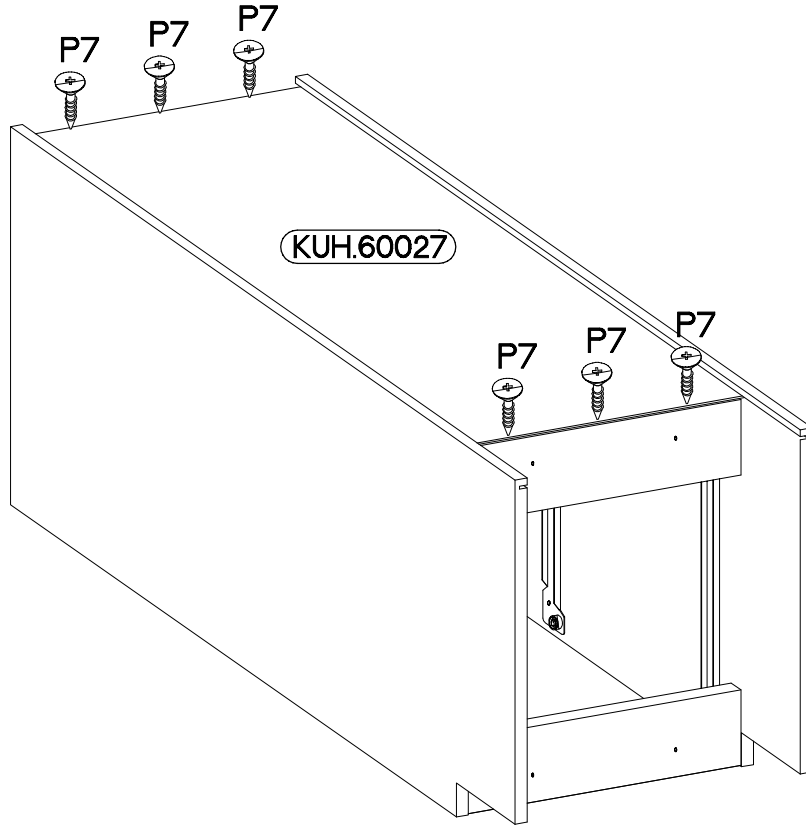
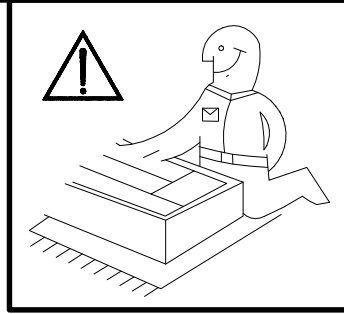


7

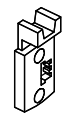



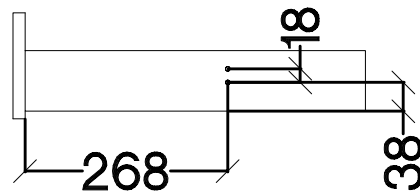
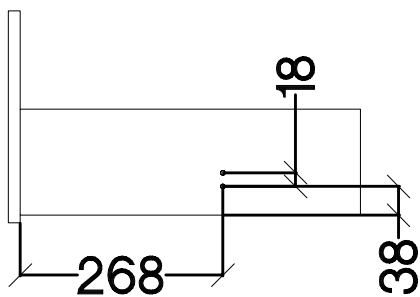
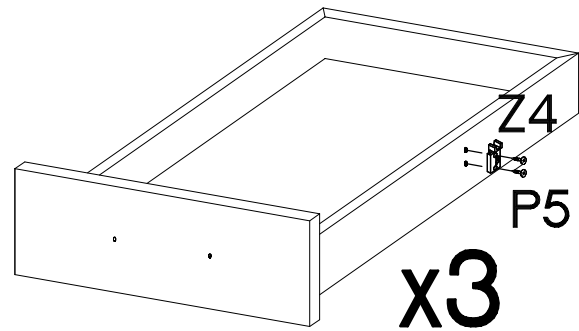
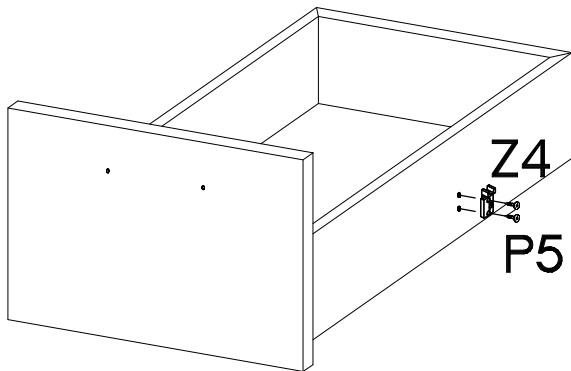
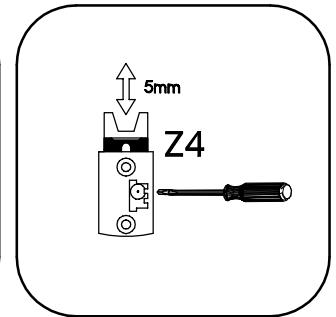
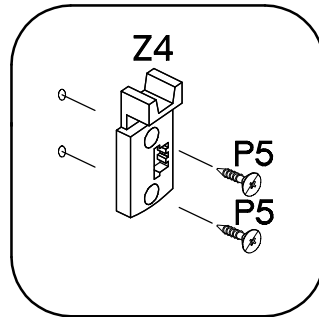
8

±3.0x20mm

P7
8-10





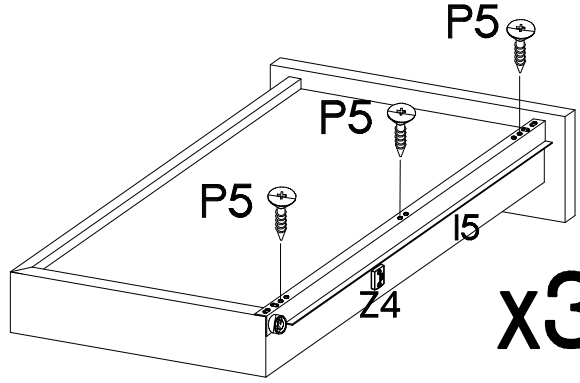
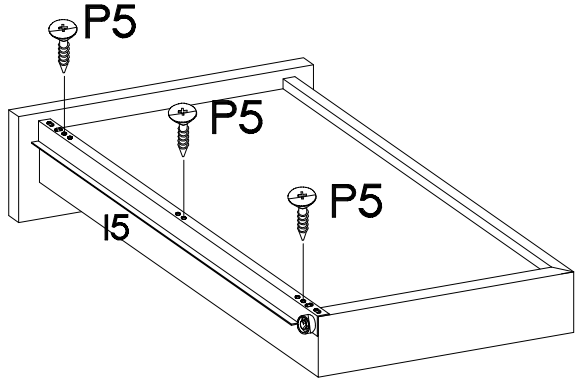
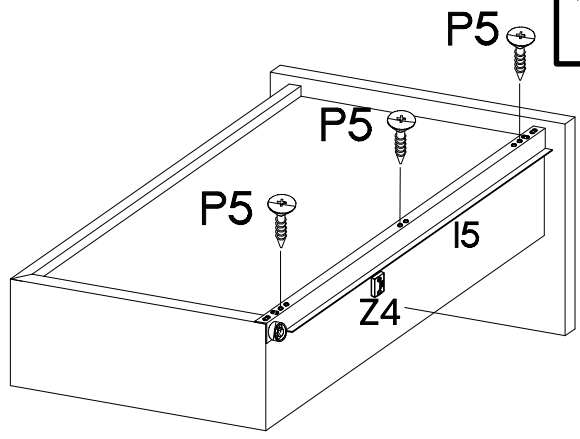
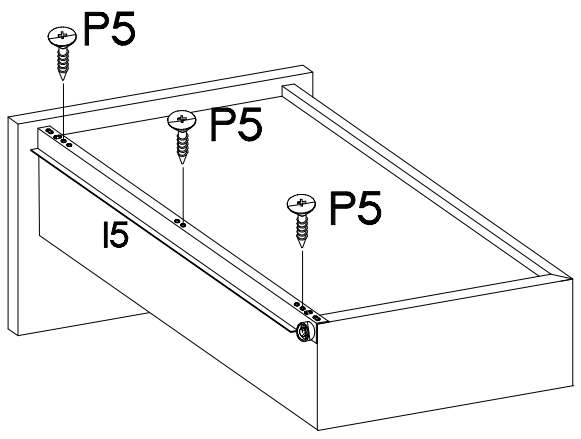
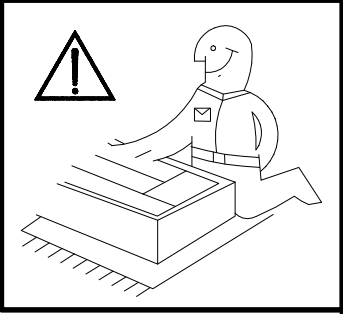
9

±3.5x13mm	
	Z4
8	4




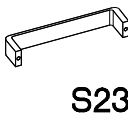
# 10

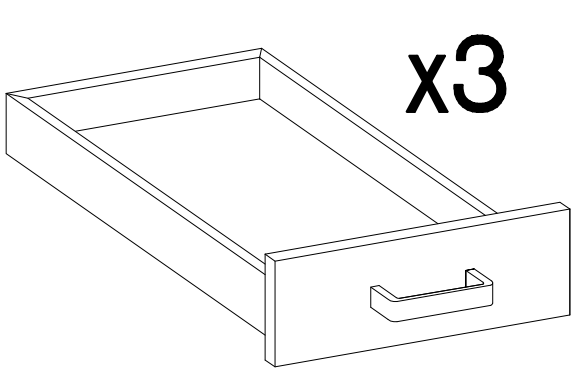
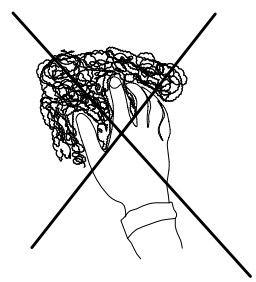
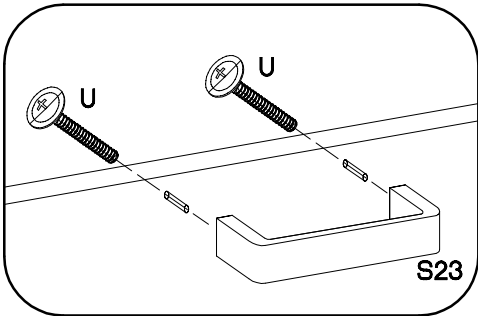
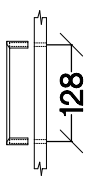
L=450mm  I5 4	+3.5x13mm  P5 24
--	---



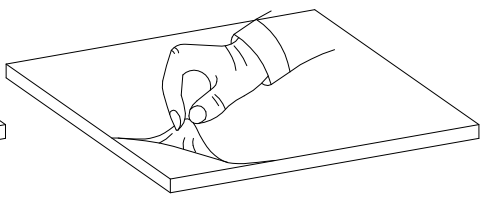
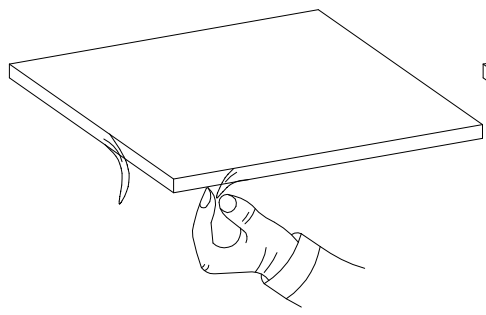
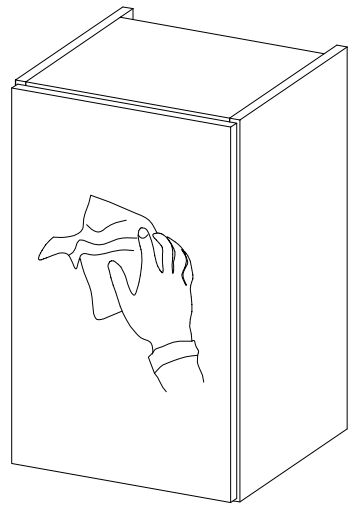
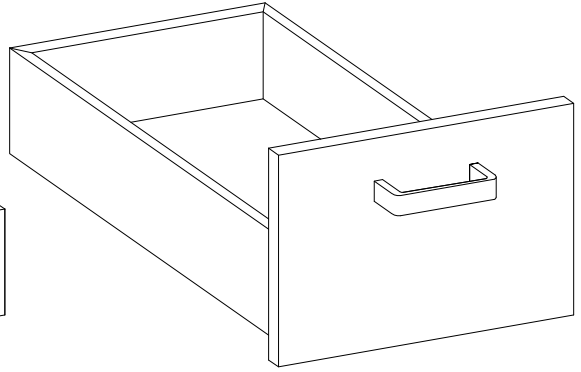
# x3

# 11



M4x22mm  U 8	 S23 4
--	---

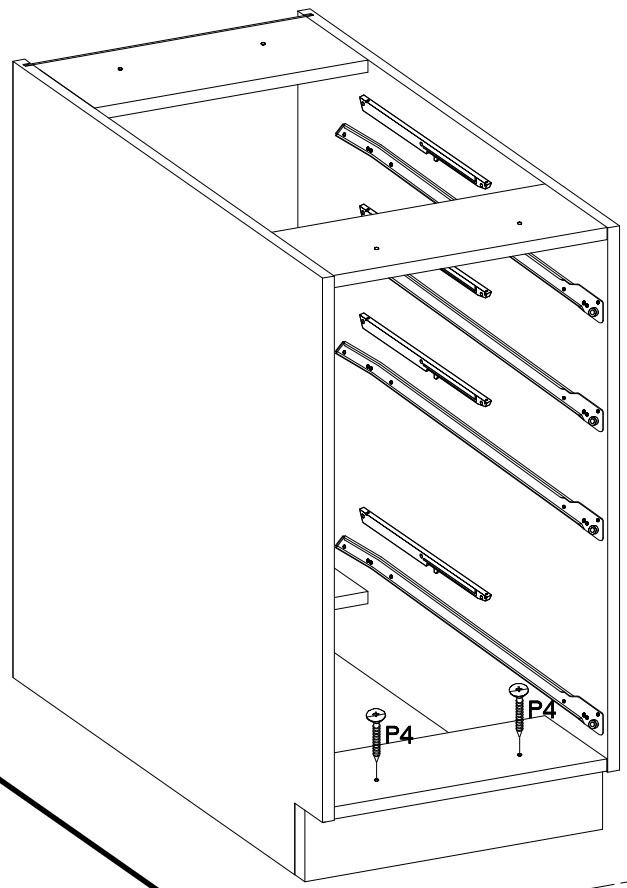
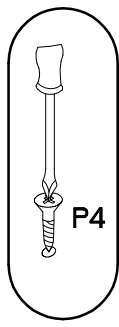
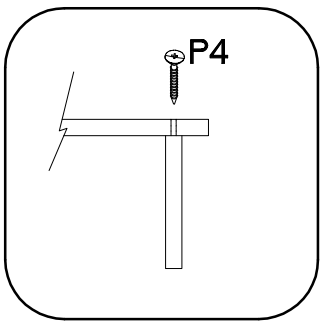


# x3

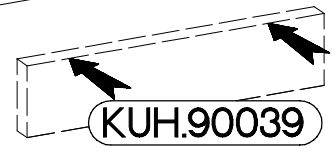
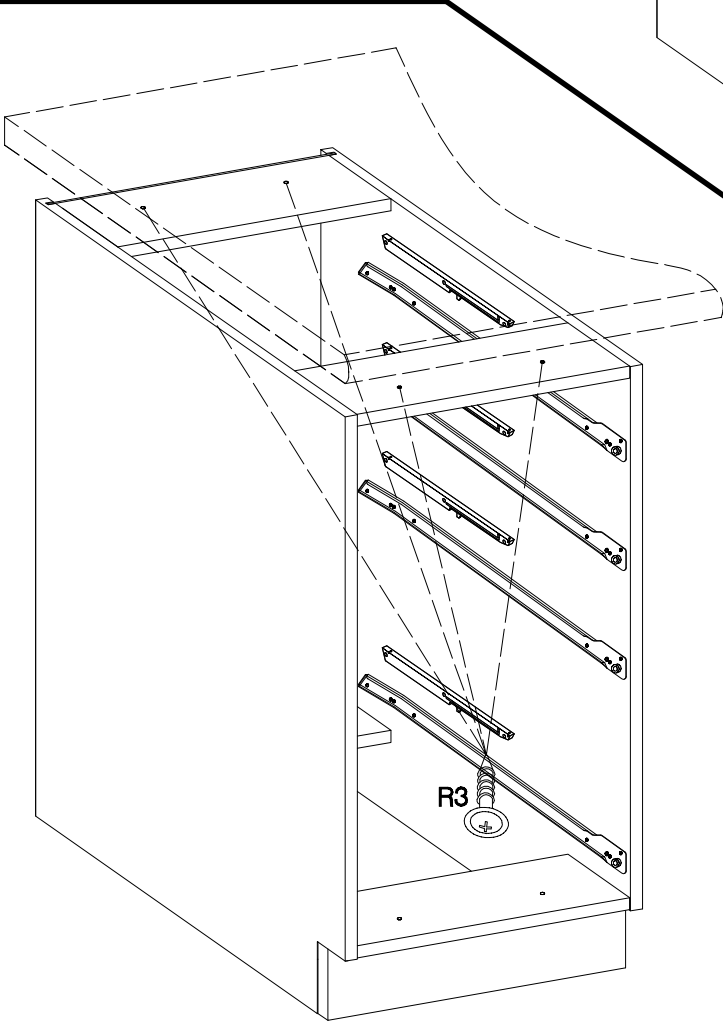



12

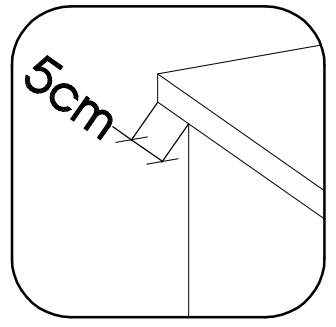
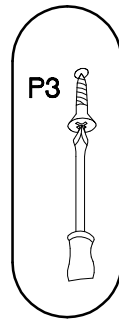
$\pm 4.0 \times 45 \text{mm}$  <b>P4</b> 2	 <b>E9</b> 2
---	--



13



$\pm 4.0 \times 35 \text{mm}$  <b>R3</b> 4
--



13

