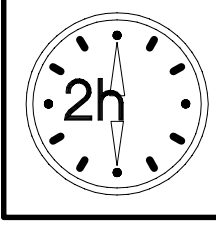
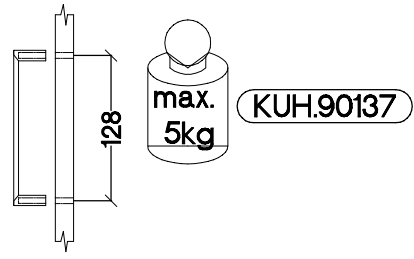
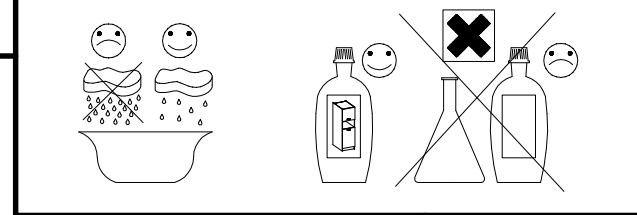
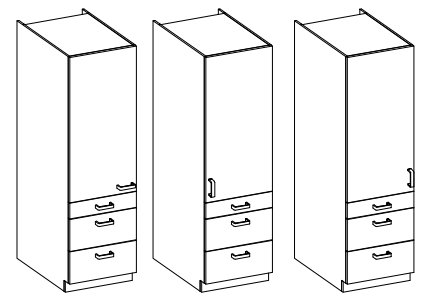
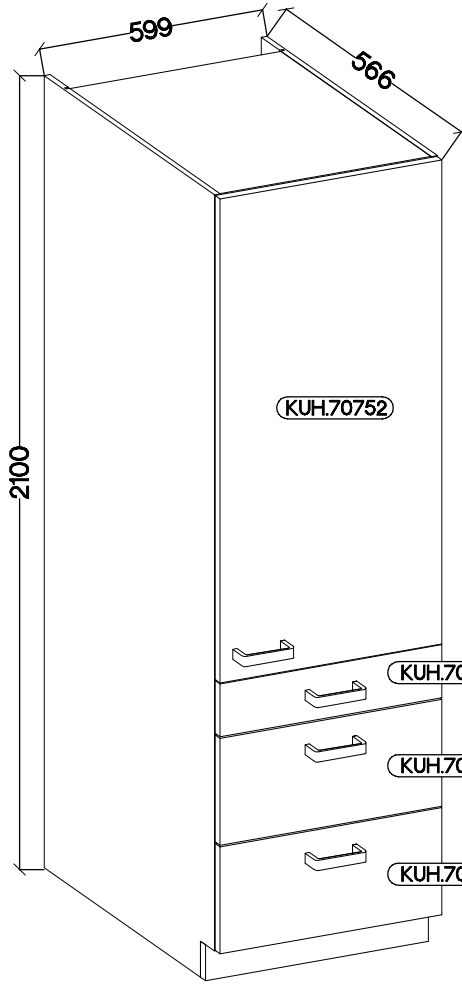


**60 DKS-2100 1F 3S**



2100

599

566

KUH.70752

KUH.70519

KUH.70520

KUH.70520

KUH.70752

KUH.90140

KUH.90137

KUH.70519

KUH.90142

KUH.90142

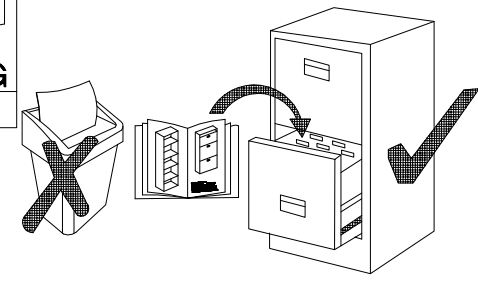
KUH.90137

KUH.90137

KUH.70520

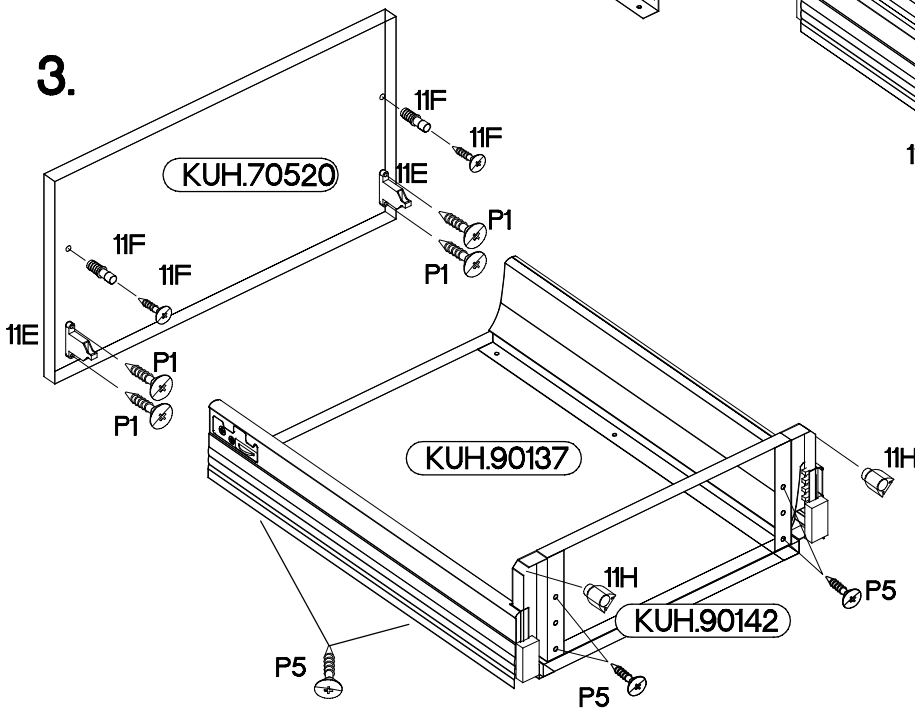
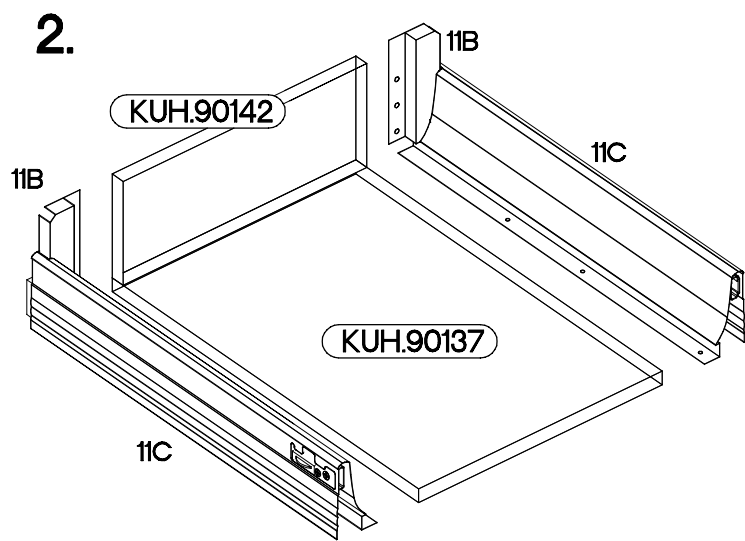
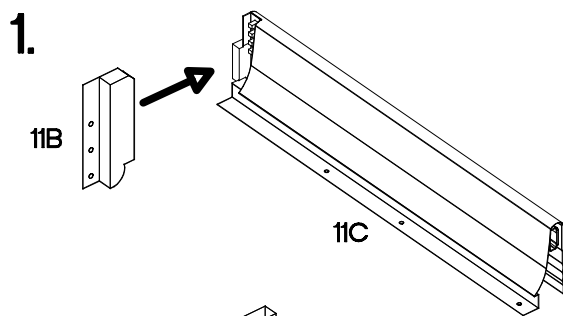
KUH.70520

3	2	3	1	6	4	6
4	3	12	24	30	2	4

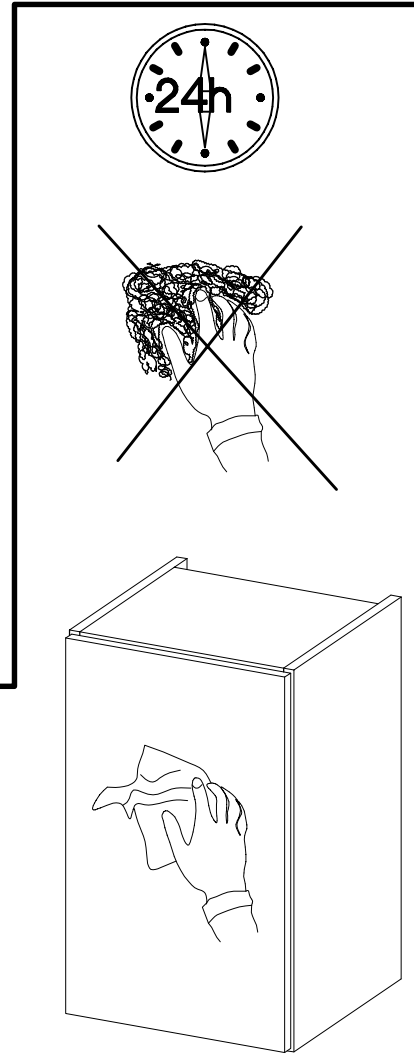
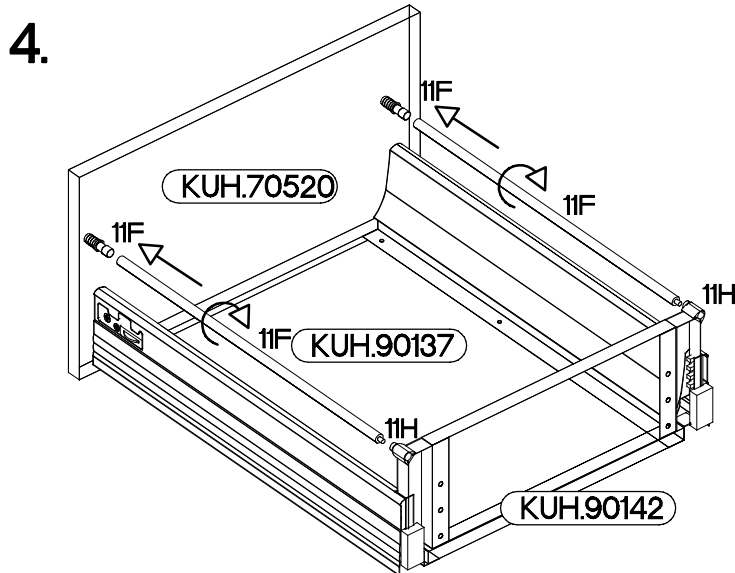


1

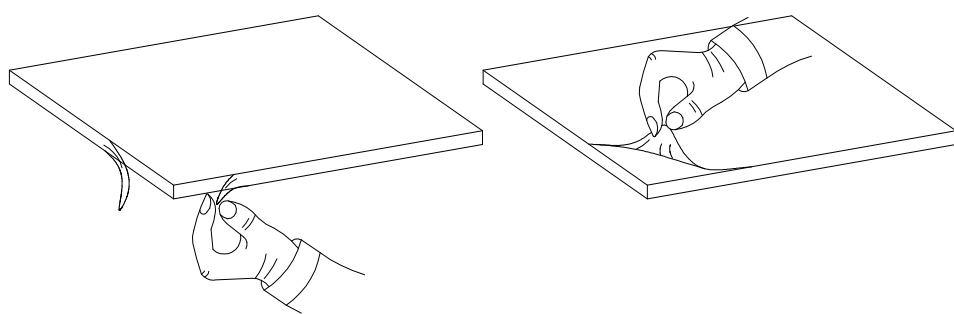
					$\pm 4.0 \times 16 \text{mm}$ 	$\pm 3.5 \times 13 \text{mm}$ 	
2	2	4	4	4	8	16	4



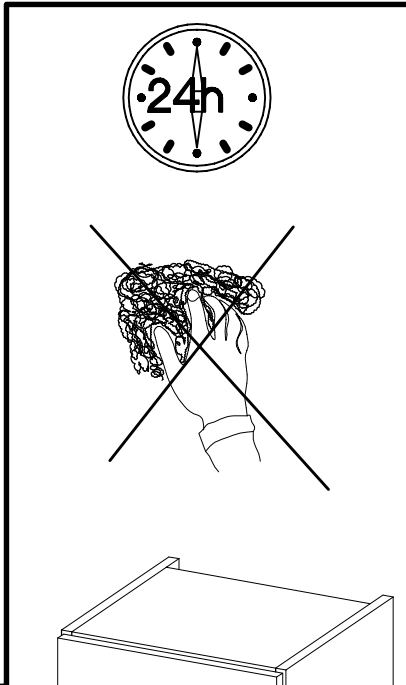
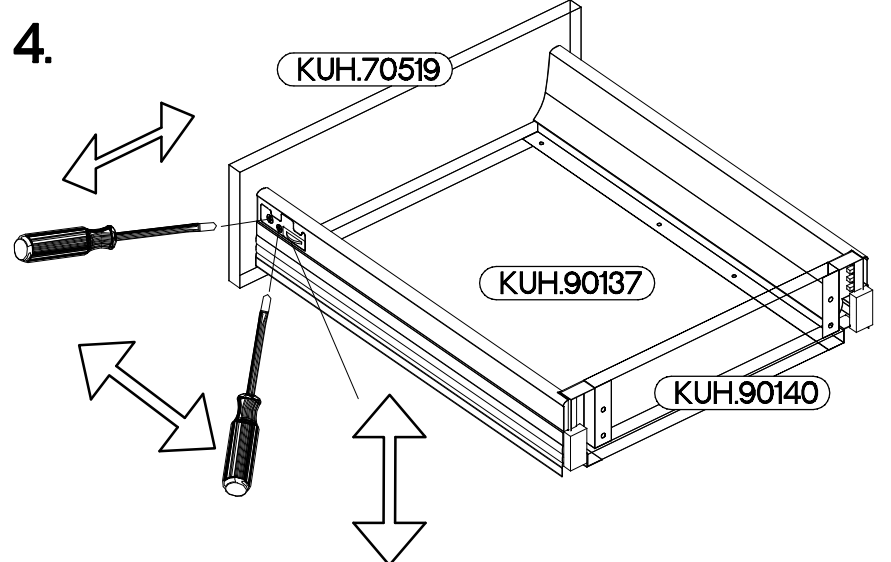
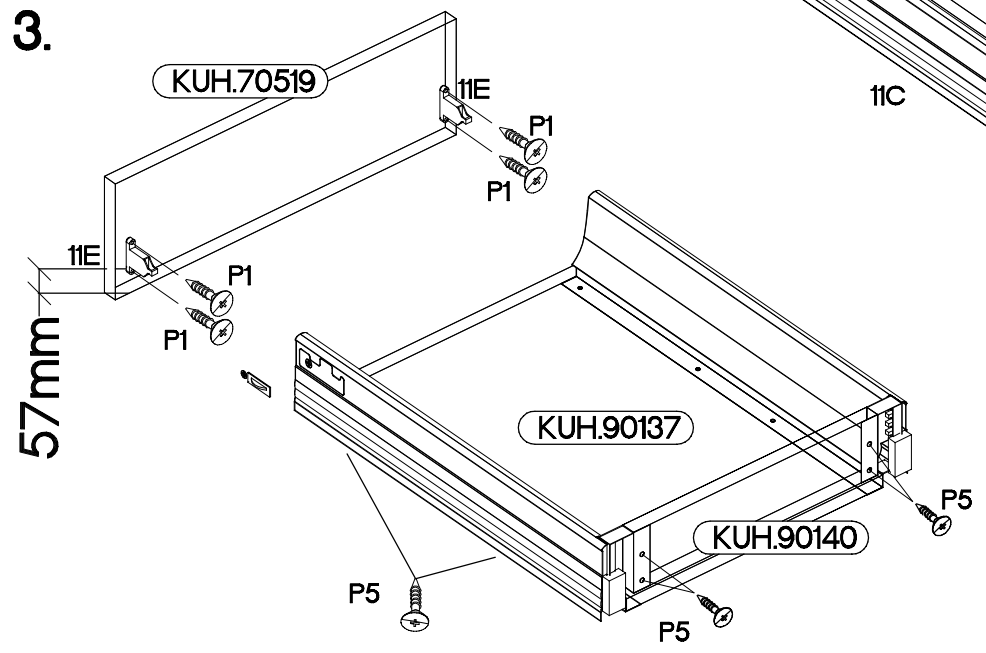
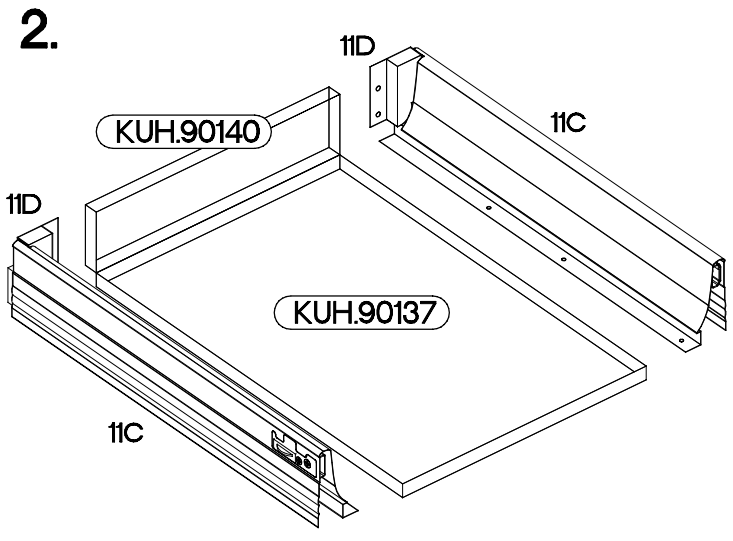
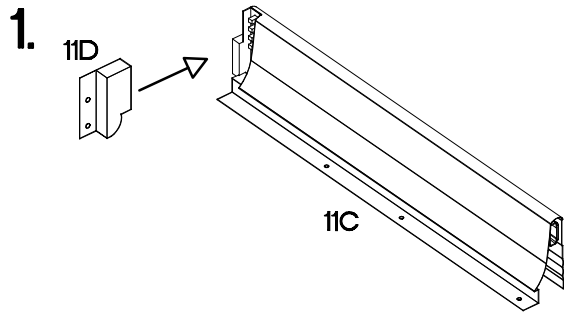
x2



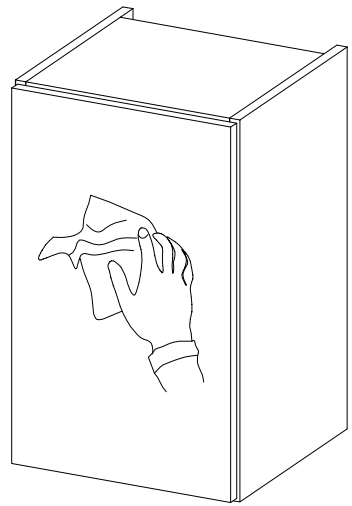
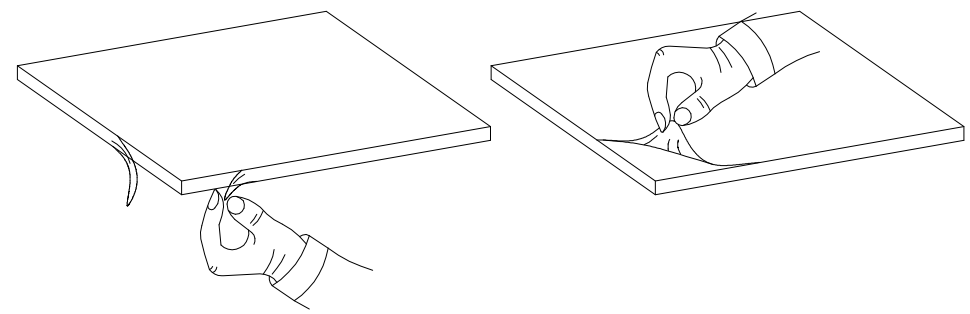
VARIANT HIGH GLOSS

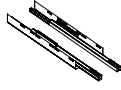


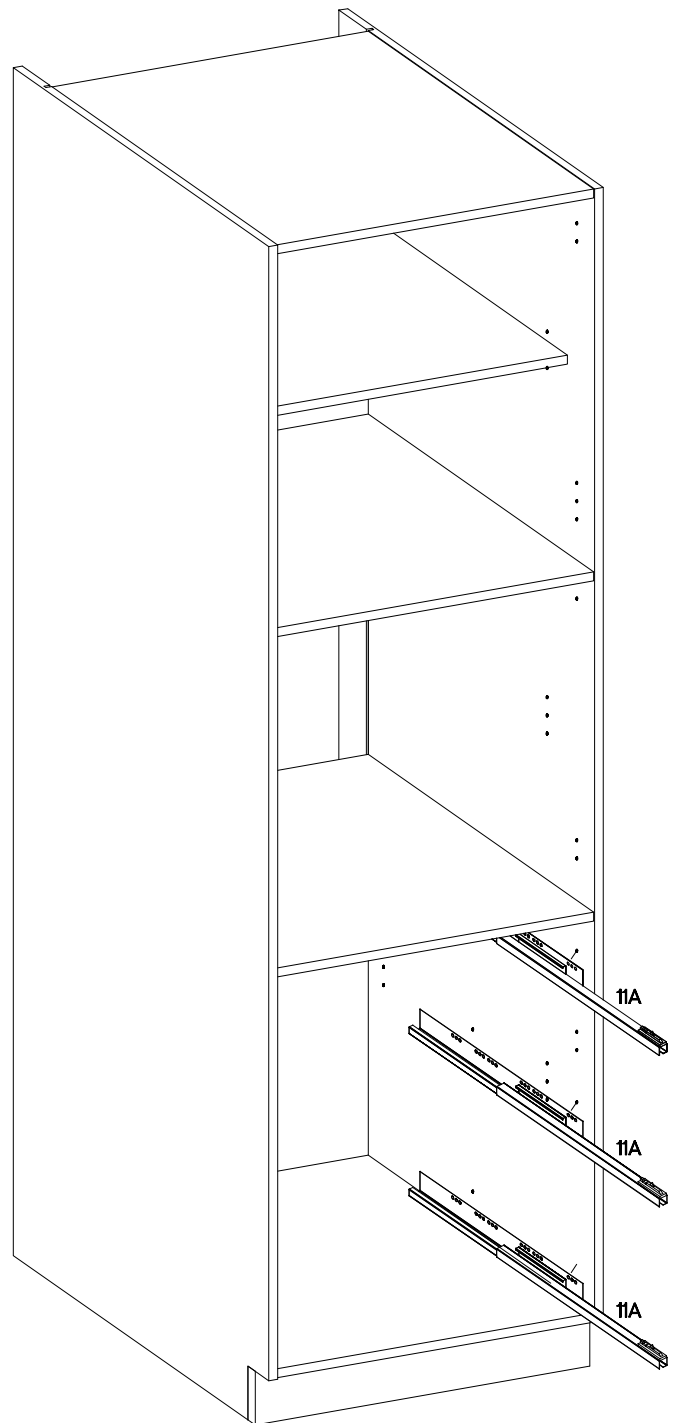
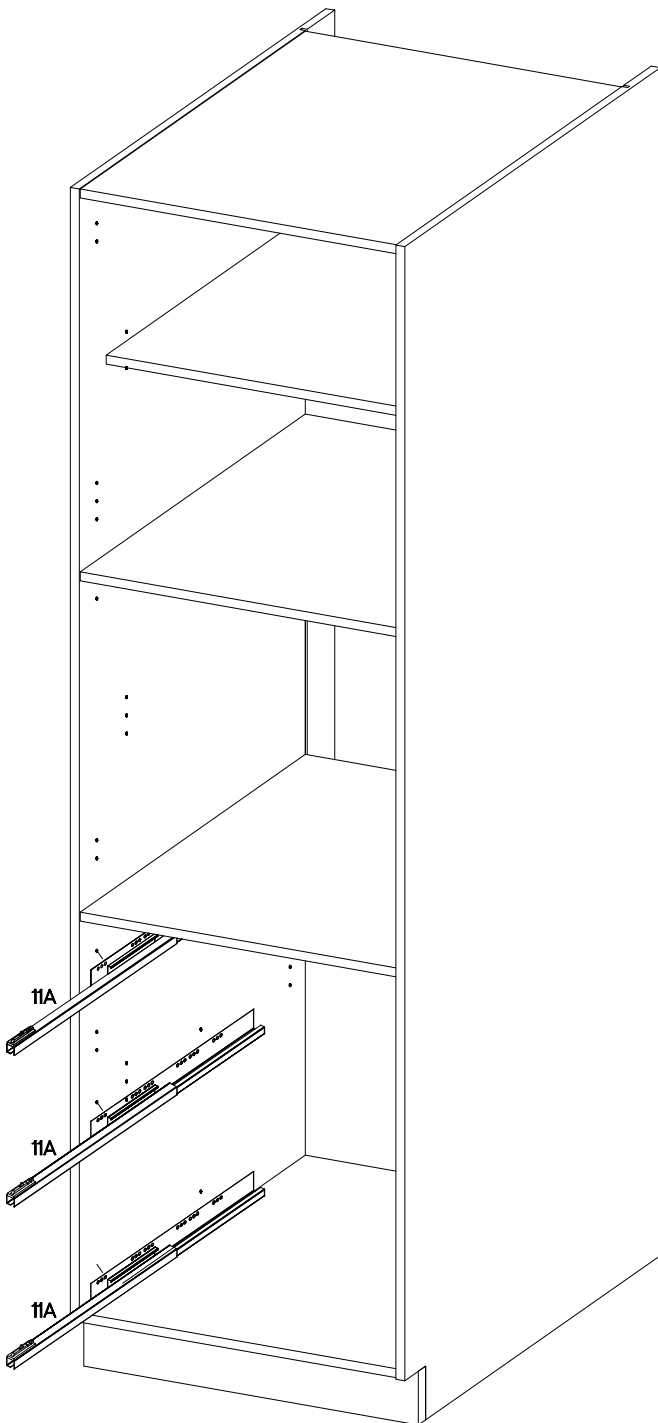
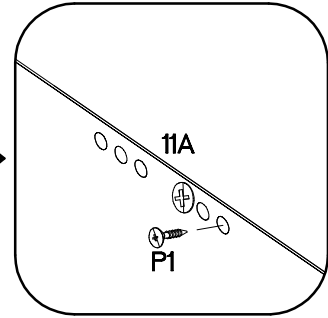
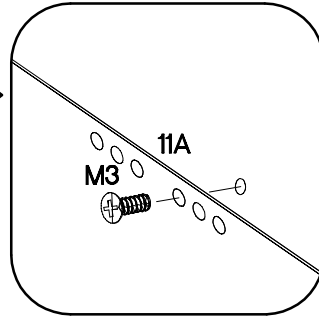
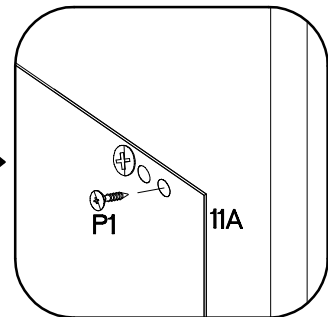
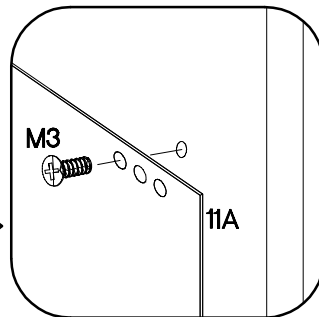
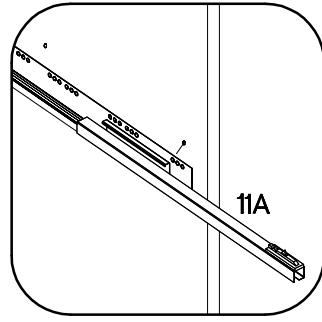
			$\varnothing 4.0 \times 16 \text{mm}$	$\varnothing 3.5 \times 13 \text{mm}$	
11D	11C	11E	P1	P5	11G
1	1	2	4	8	2




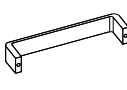
VARIANT HIGH GLOSS

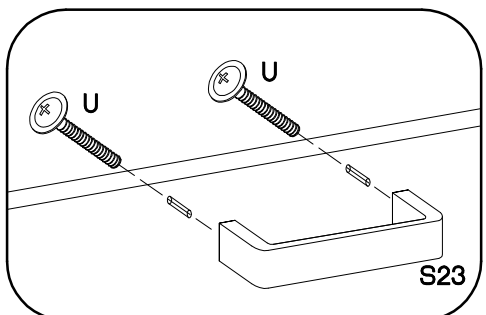
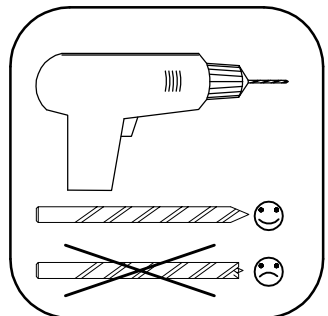
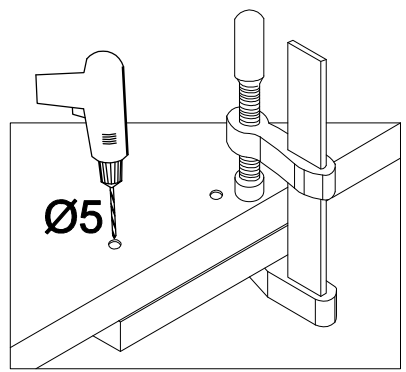
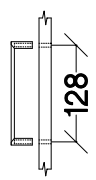
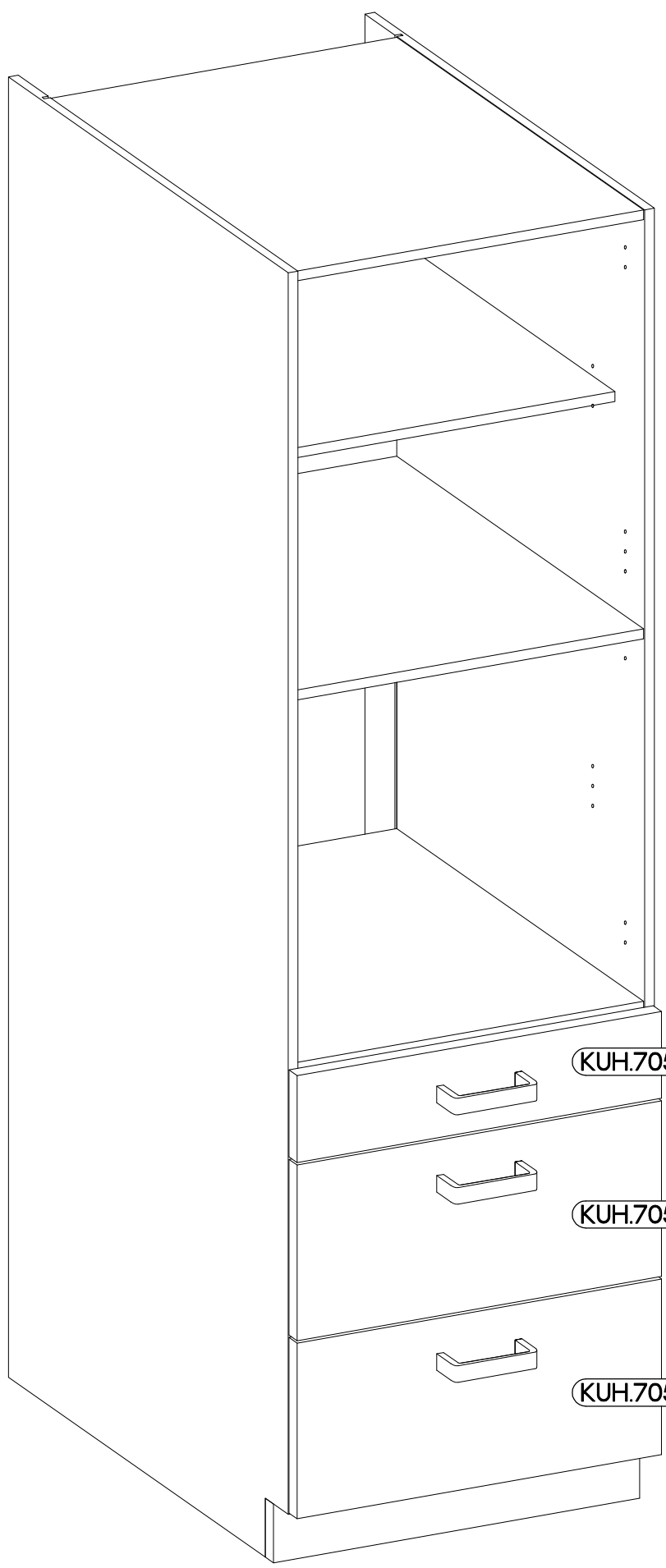


	+6.3x13mm	+4.0x16mm
11A	M3	P1
3	12	12



4

M4x22mm	
	
U	S23
6	3

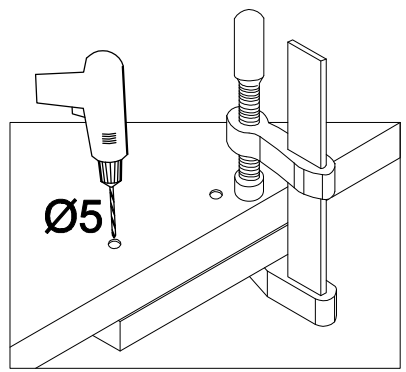
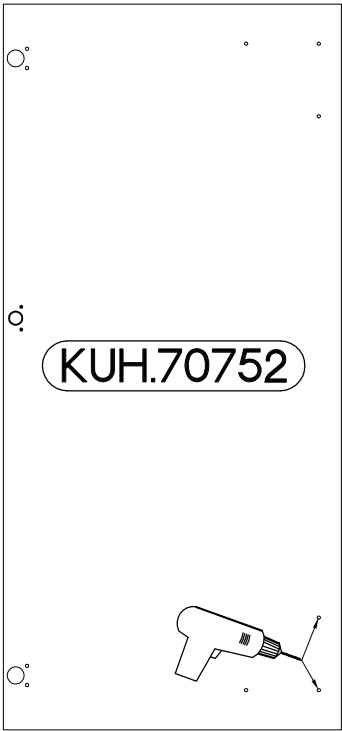
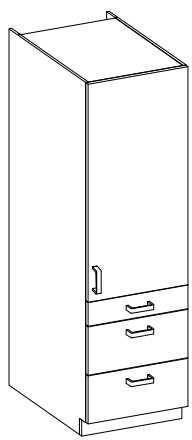
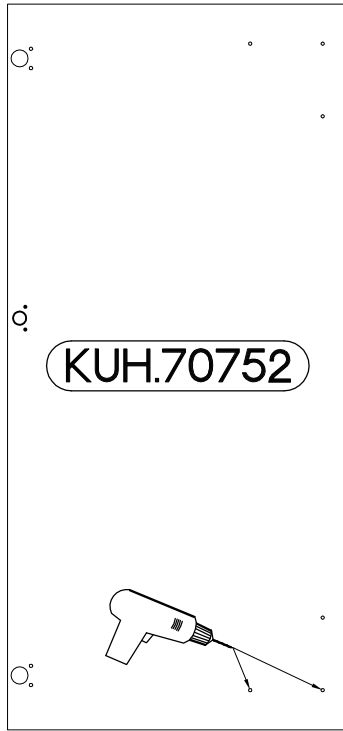
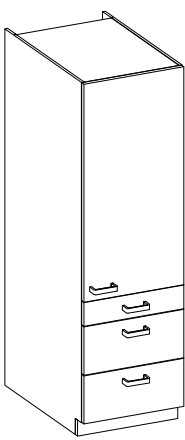
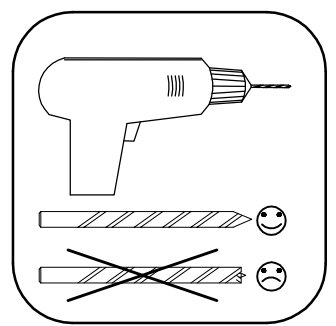
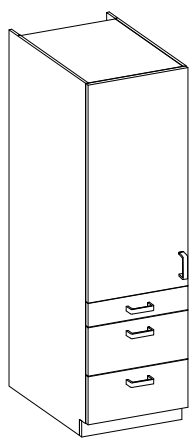
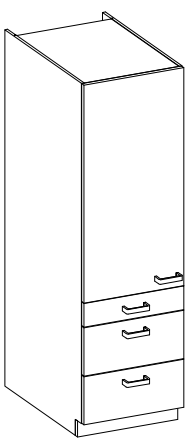


KUH.70519

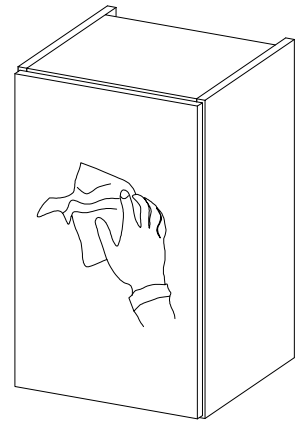
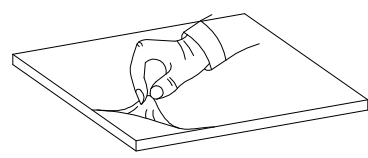
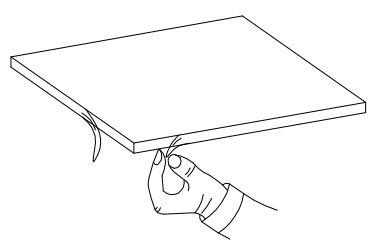
KUH.70520

KUH.70520



5

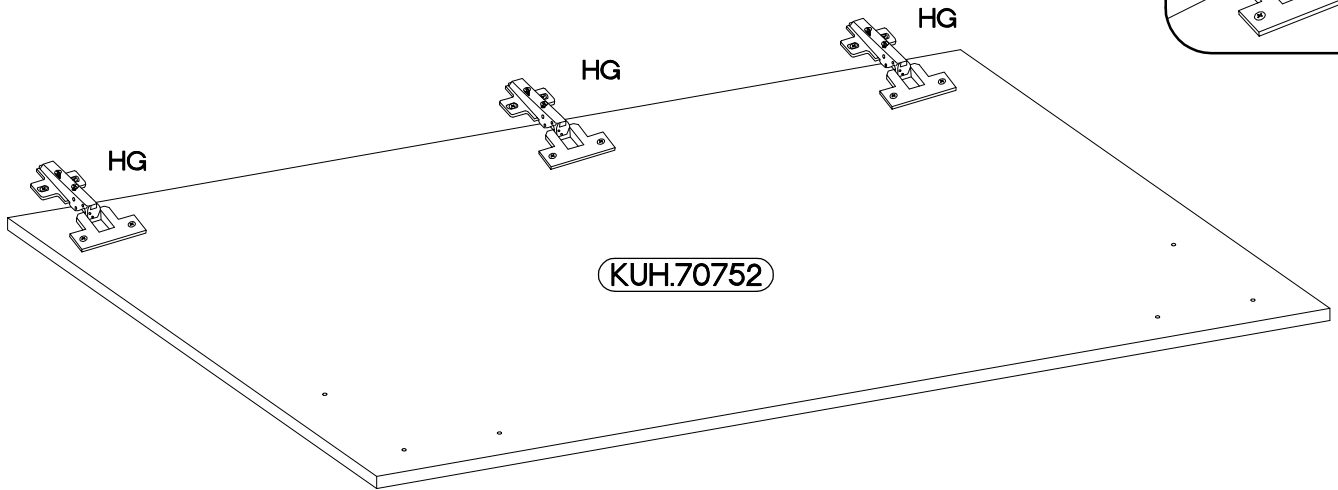
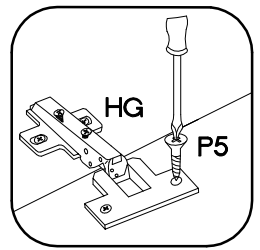


VARIANT HIGH GLOSS





6

†35/0mm  HG 3	†3.5x13mm  P5 6
--	--



7

M4x22mm  U 2	 S23 1
--	---

