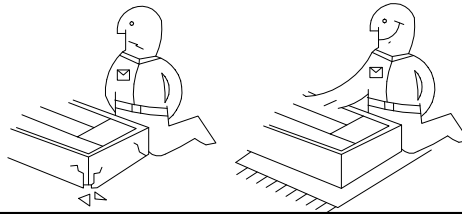
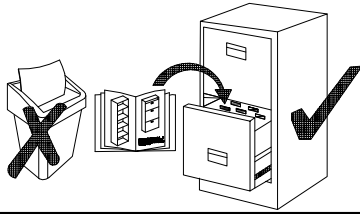
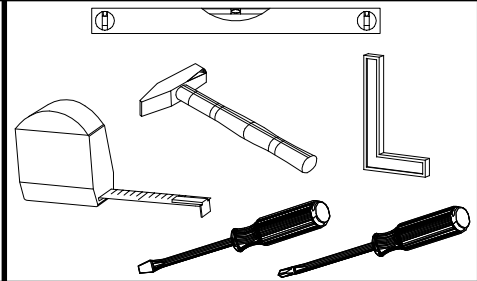
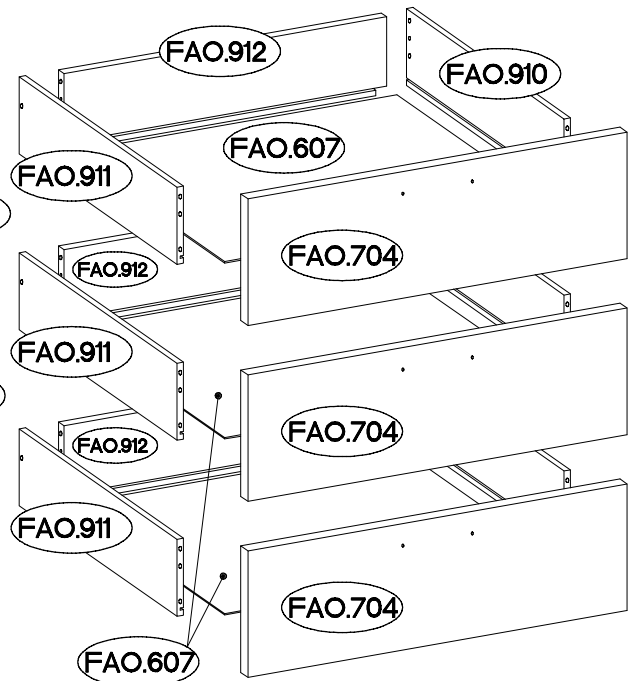
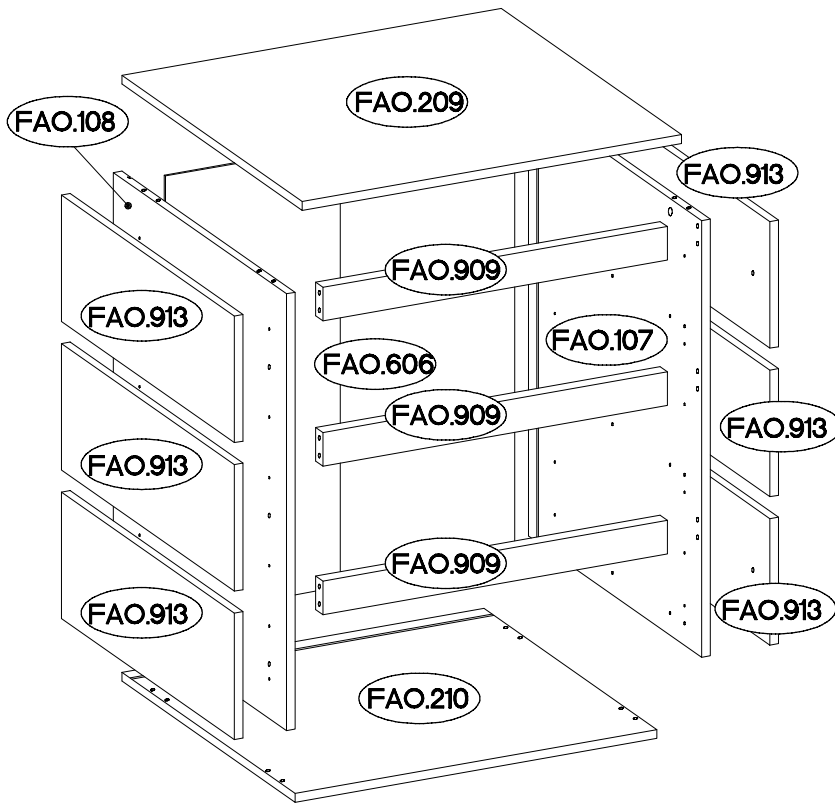
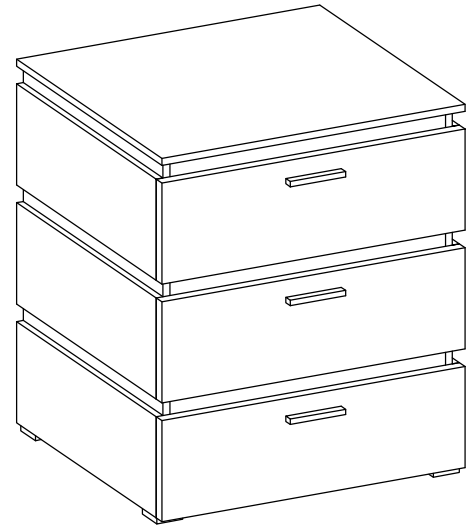




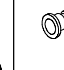
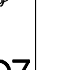




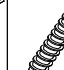
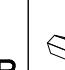

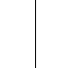




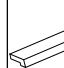
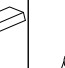

20



AR20 

Coli	Ersatzteil Nummer	Dimension	Coli	Ersatzteil Nummer	Dimension
1/2	FAO.107	794x384x16	2/2	FAO.209	700x400x16
	FAO.108	794x384x16		FAO.210	668x384x16
	FAO.606	803x645x2,5		FAO.607 x3	346x606x2,5
	FAO.704 x3	700x230x16		FAO.910 x3	350x140x12
	FAO.909 x3	636x61x16		FAO.911 x3	350x140x12
	FAO.913 x6	384x230x16		FAO.912 x3	596x140x12



 P5 1	 L9 1	 O7 1	 B2 6	 O11 1	 M2 24	 I8 3	 B 4	 O 1	 F 4	 P3 12
			 C 4	 D2 4	 A 50	 A4 12	 S21 3	 R1 6	 L 14	 P25 24

ISM-FAO-02

**1**

FAO.911 x3

FAO.910 x3

FAO.912 x3

0,05 Lem O11	+8x30mm A
1	30

**2**

FAO.912 x3

FAO.911 x3

FAO.910 x3

0,05 Lem O11	+6x42mm B2
1	6

**3**

FAO.704 x3

0,05 Lem O11	L
1	6

L=128mm

S21

3

+4.0x27mm

R1

6

B

FAO.607 x3

FAO.704

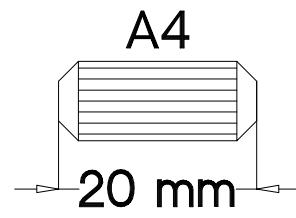
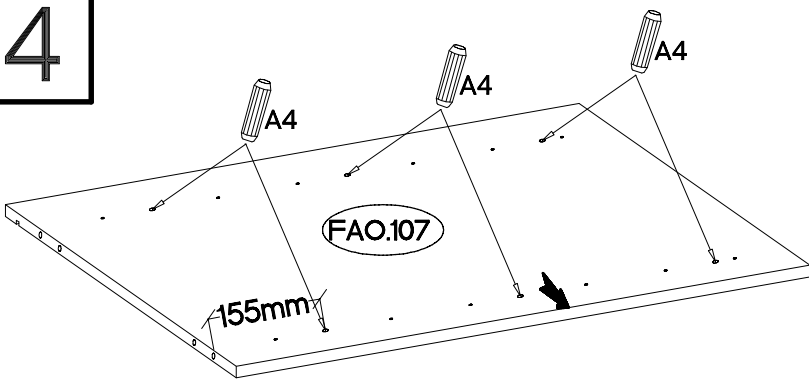
E

A=B

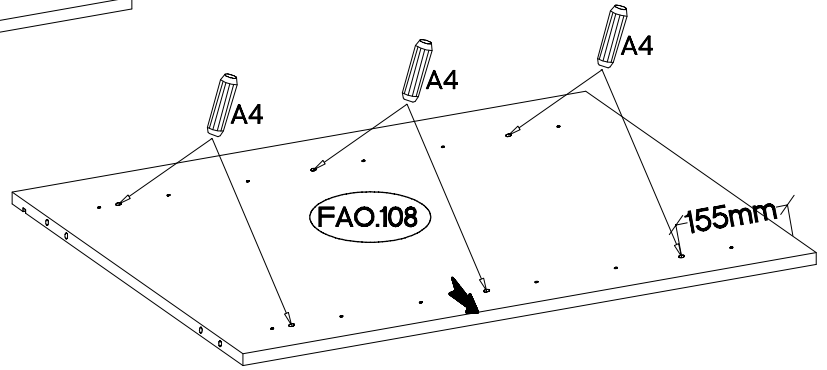
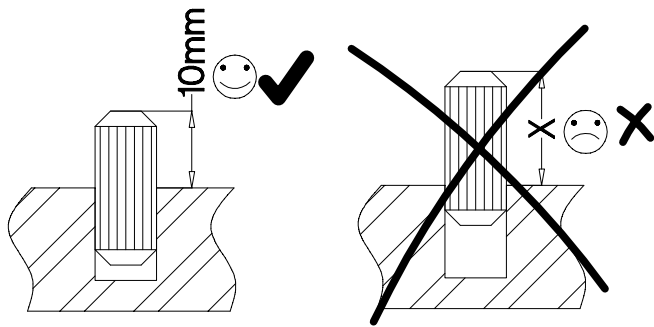
R1	F
S21	

x3

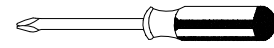
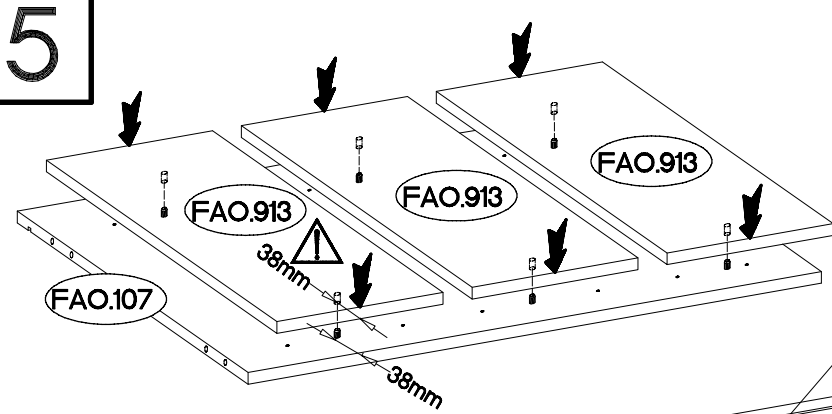
4



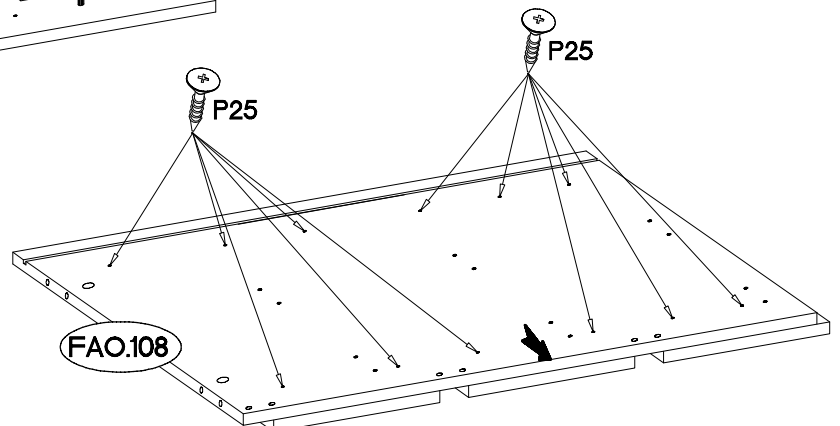
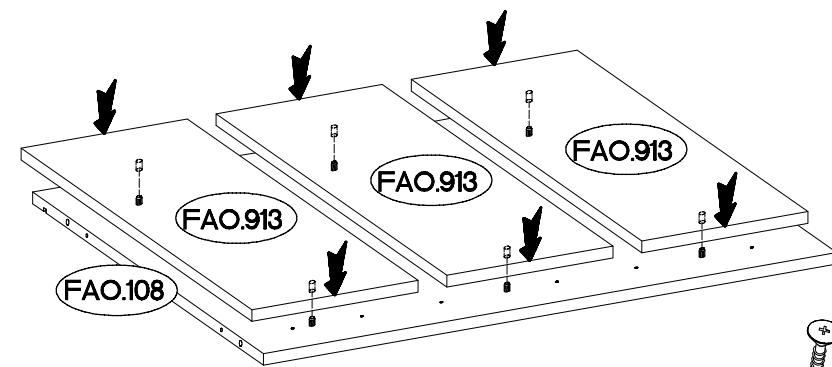
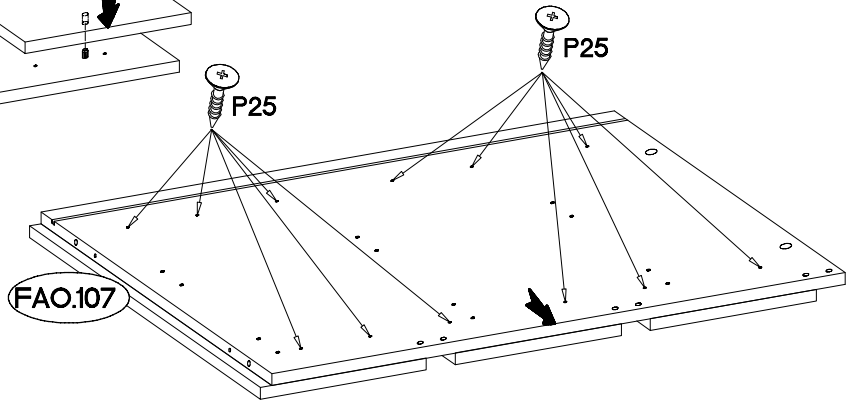
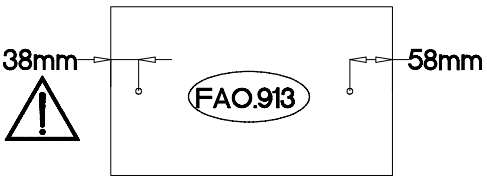
±8x20mm
A4
12



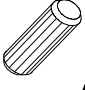
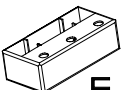






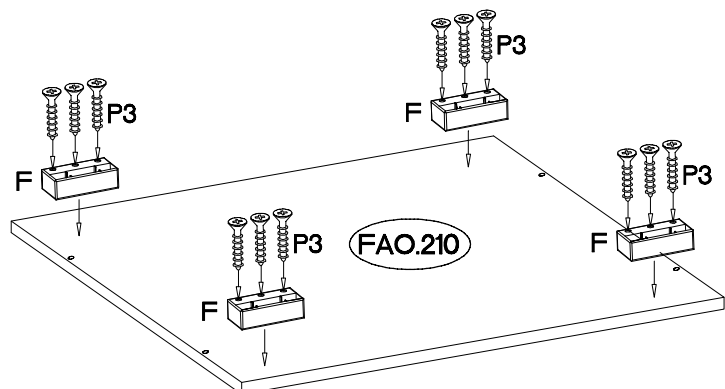
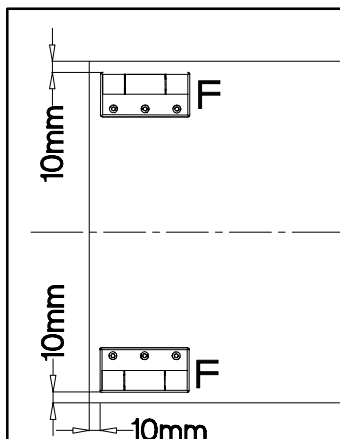
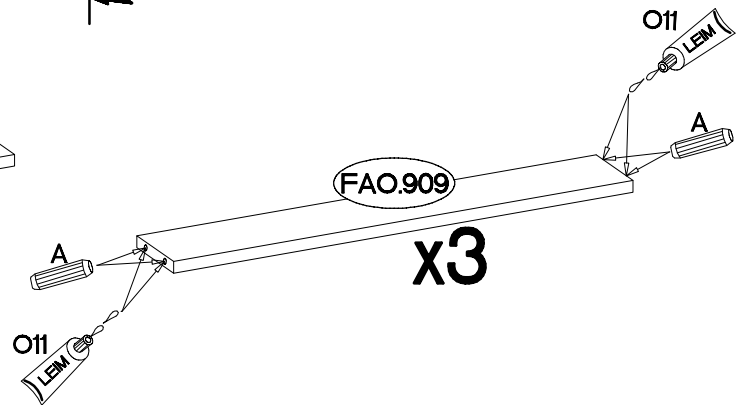
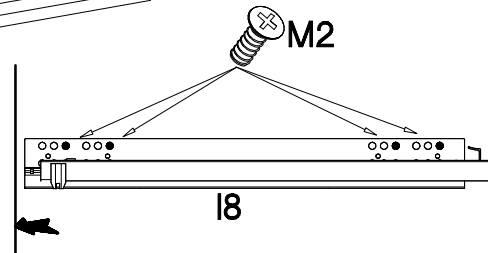
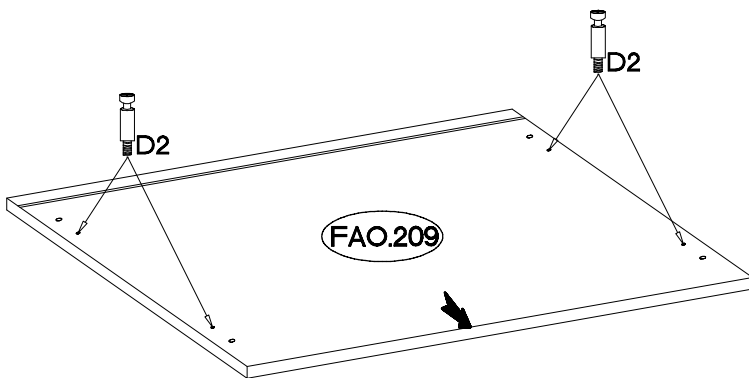
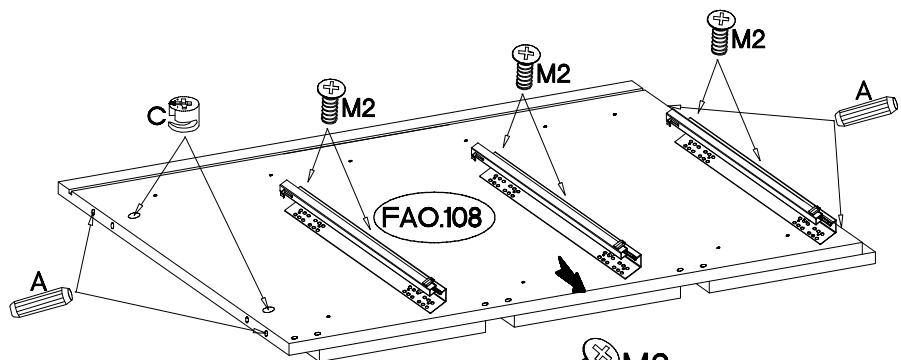
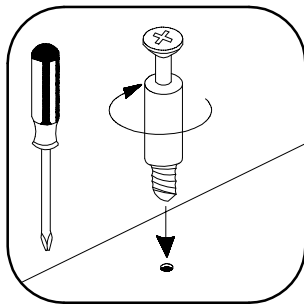
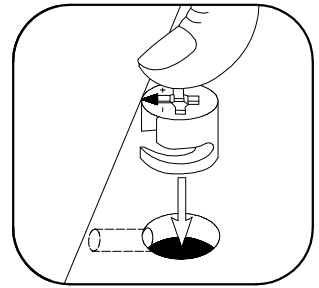
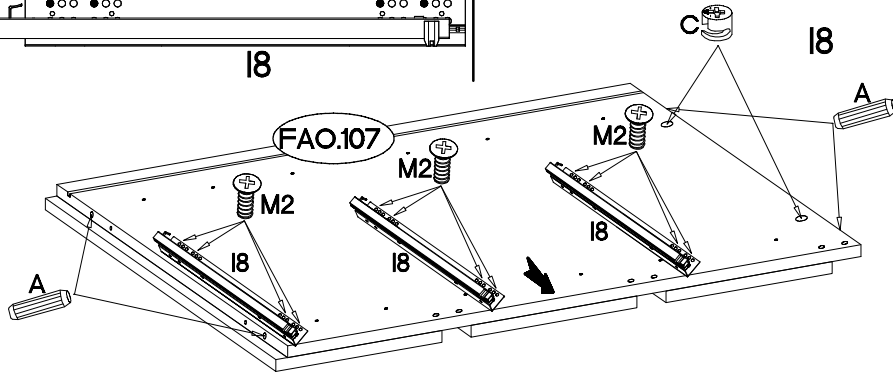
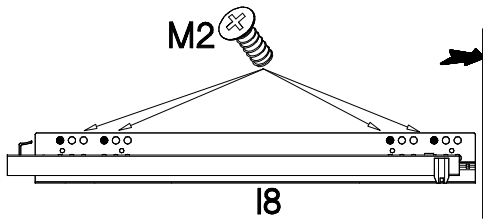
5




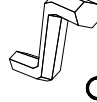

±4.0x25mm BLACK
P25
24

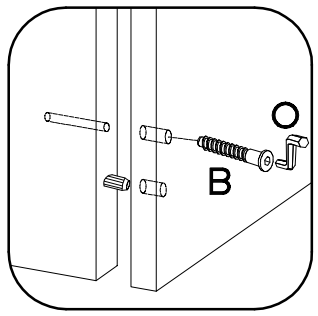
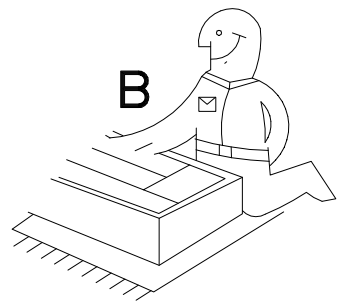
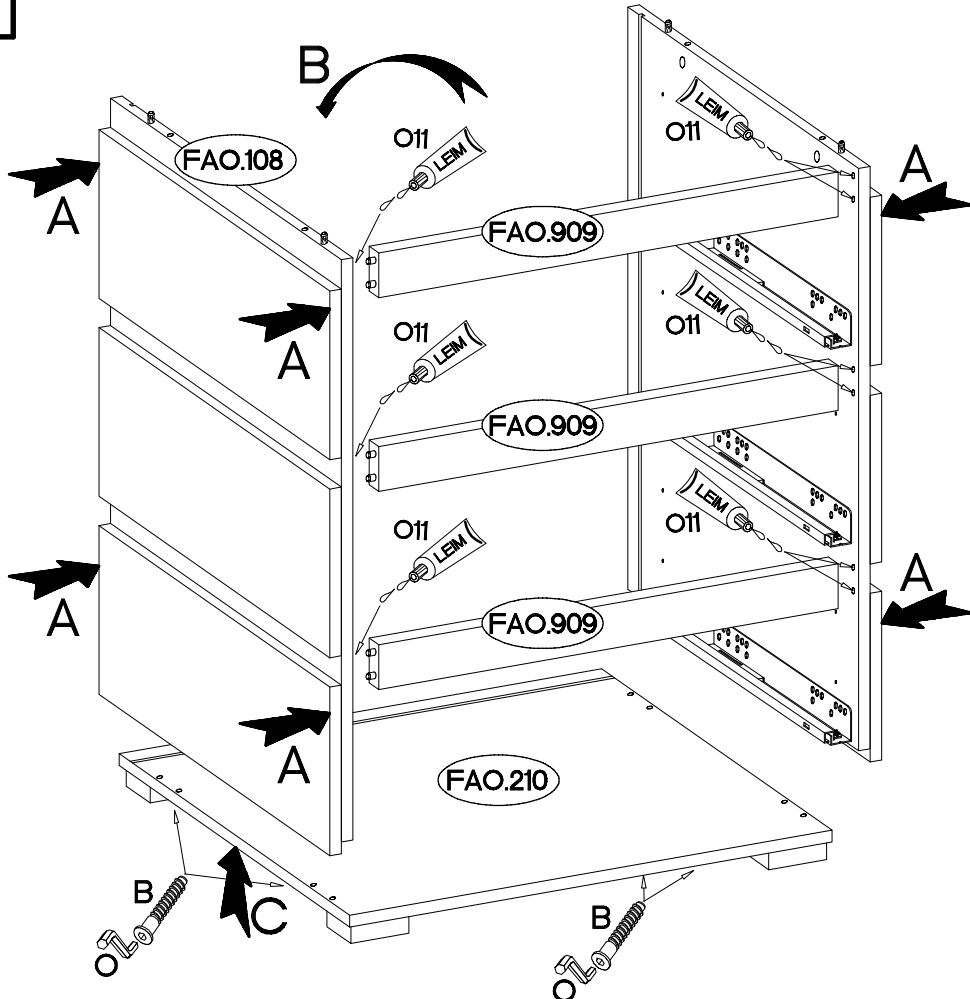


±15/12mm  C 4	L=20mm  D2 4	±8x30mm  A 20	28x90x45  F 4	±4.0x40mm  P3 12	±6,3x13mm  M2 24	L=350mm  I8 3	0,05  O11 1
--	---	--	--	---	---	---	--

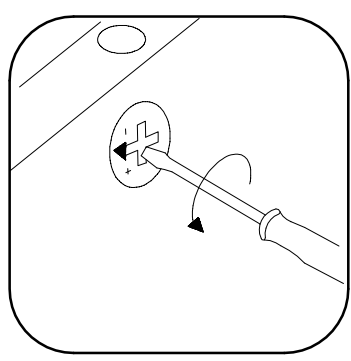
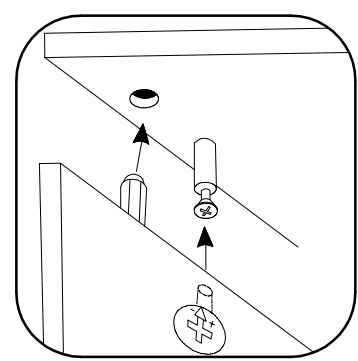
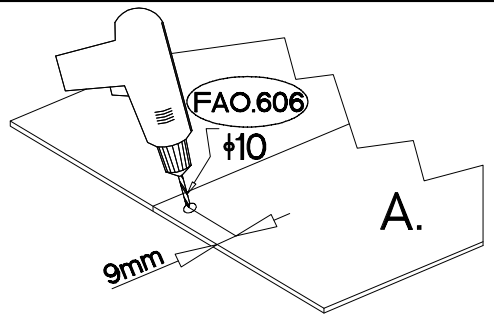
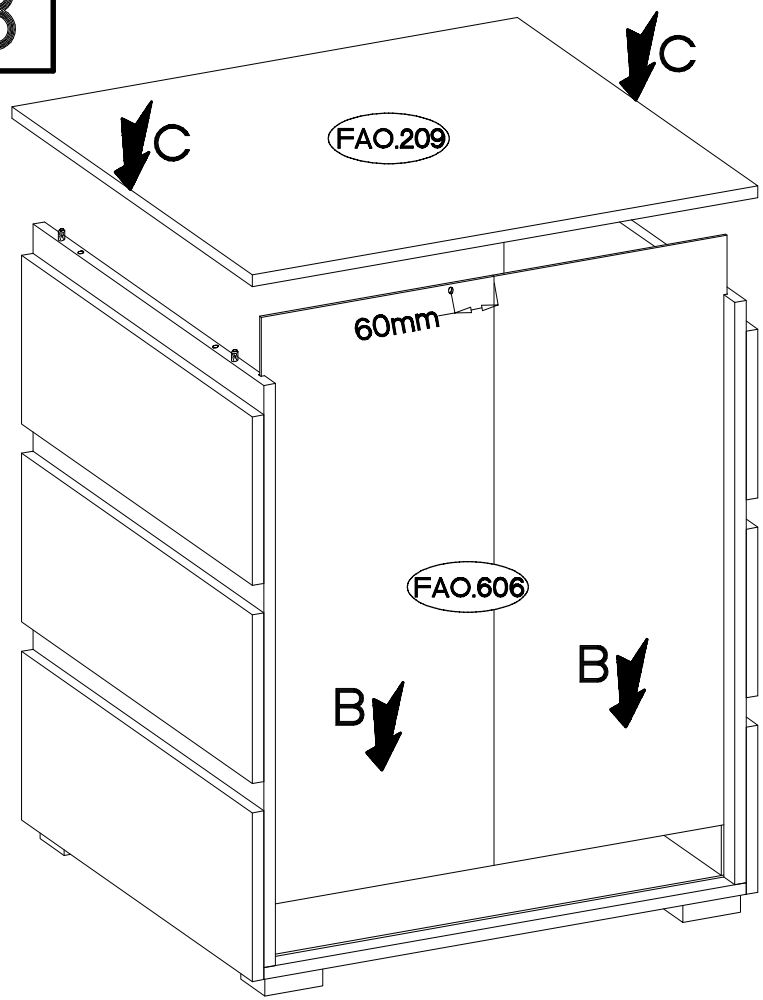


7

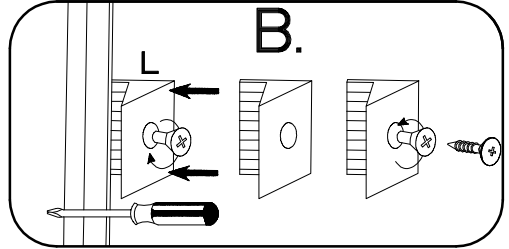
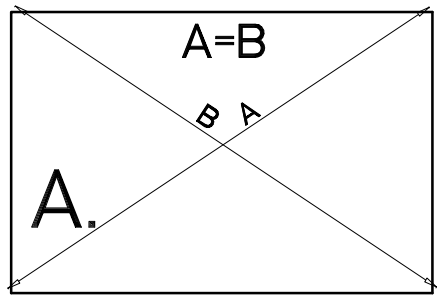
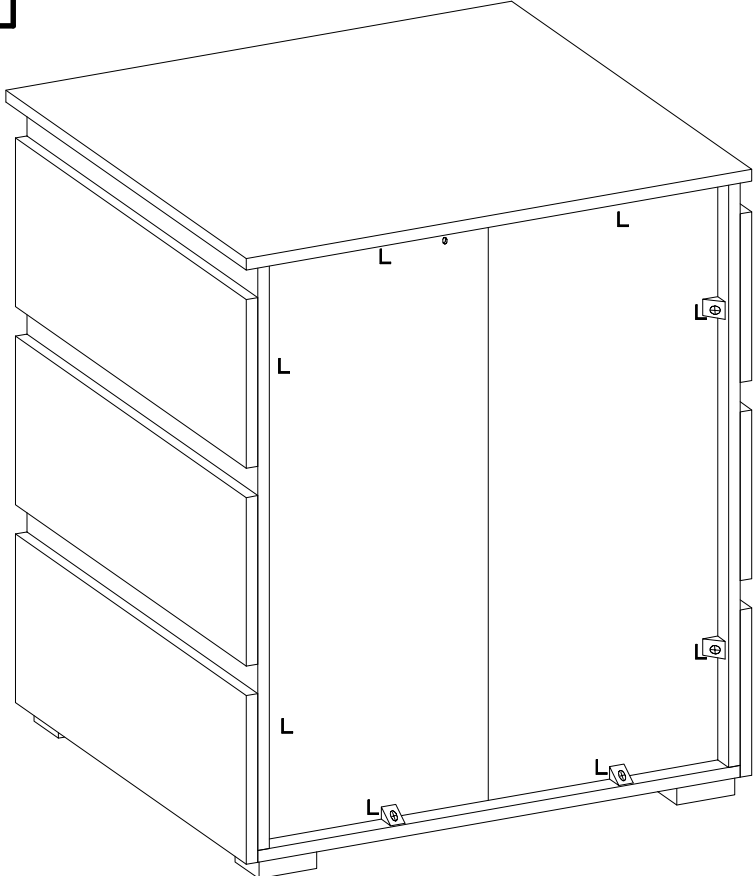
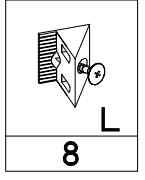
6,4 x 50mm		0,05
		
B	O	O11
4	1	1



8



9



10

#3.5x13mm  <b>P5</b> 1	 <b>L9</b> 1	#10x50mm  <b>O7</b> 1
---------------------------------	--------------------	--------------------------------

