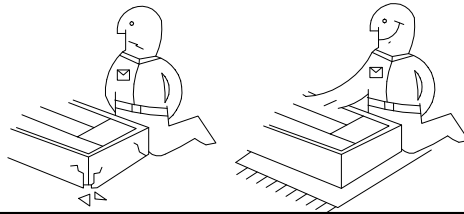
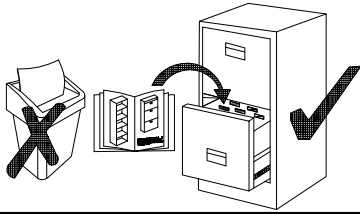
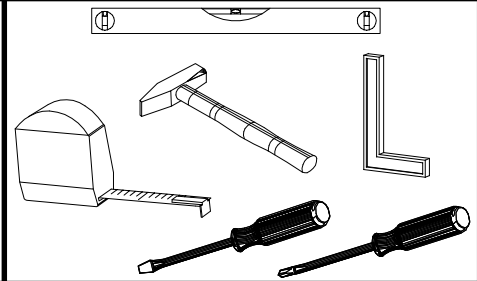
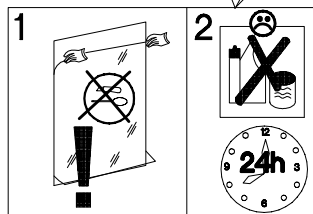
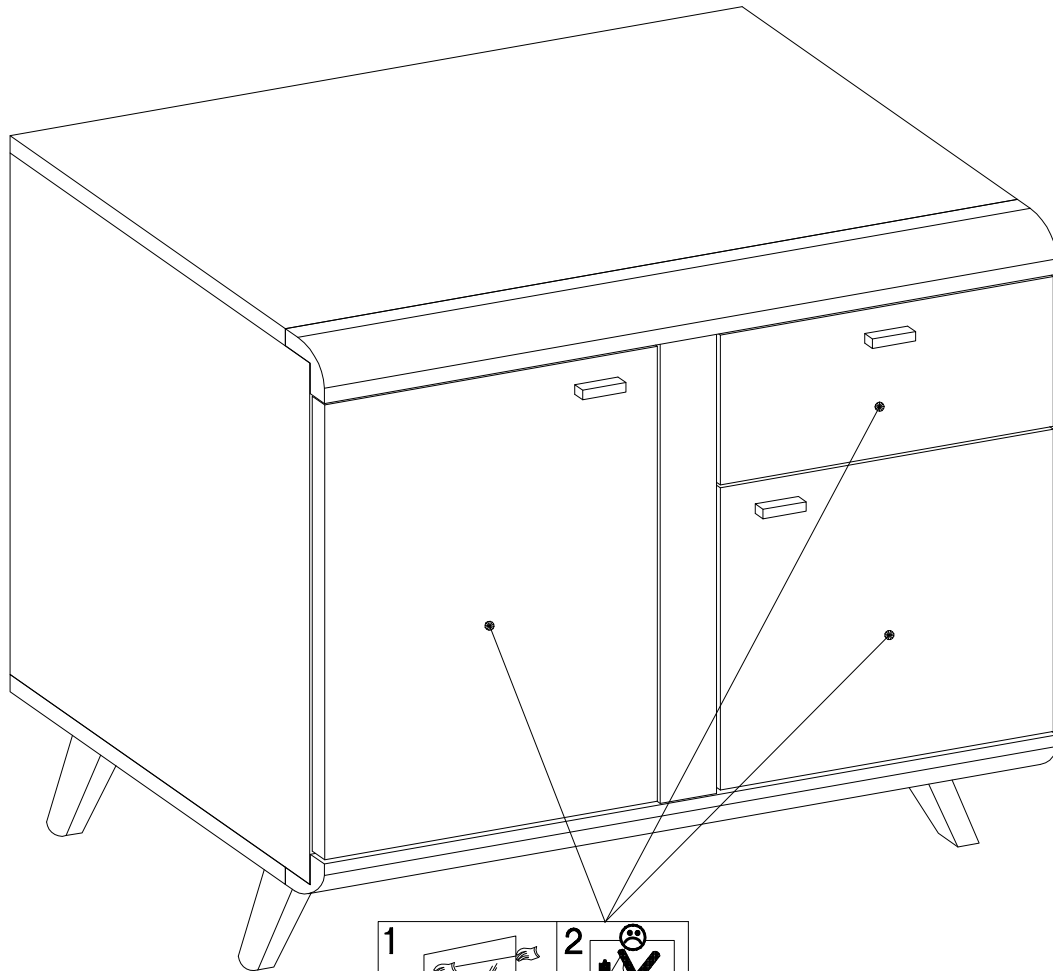






# BERGEN




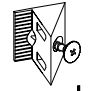

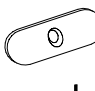


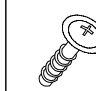

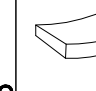






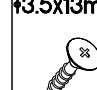

## 22



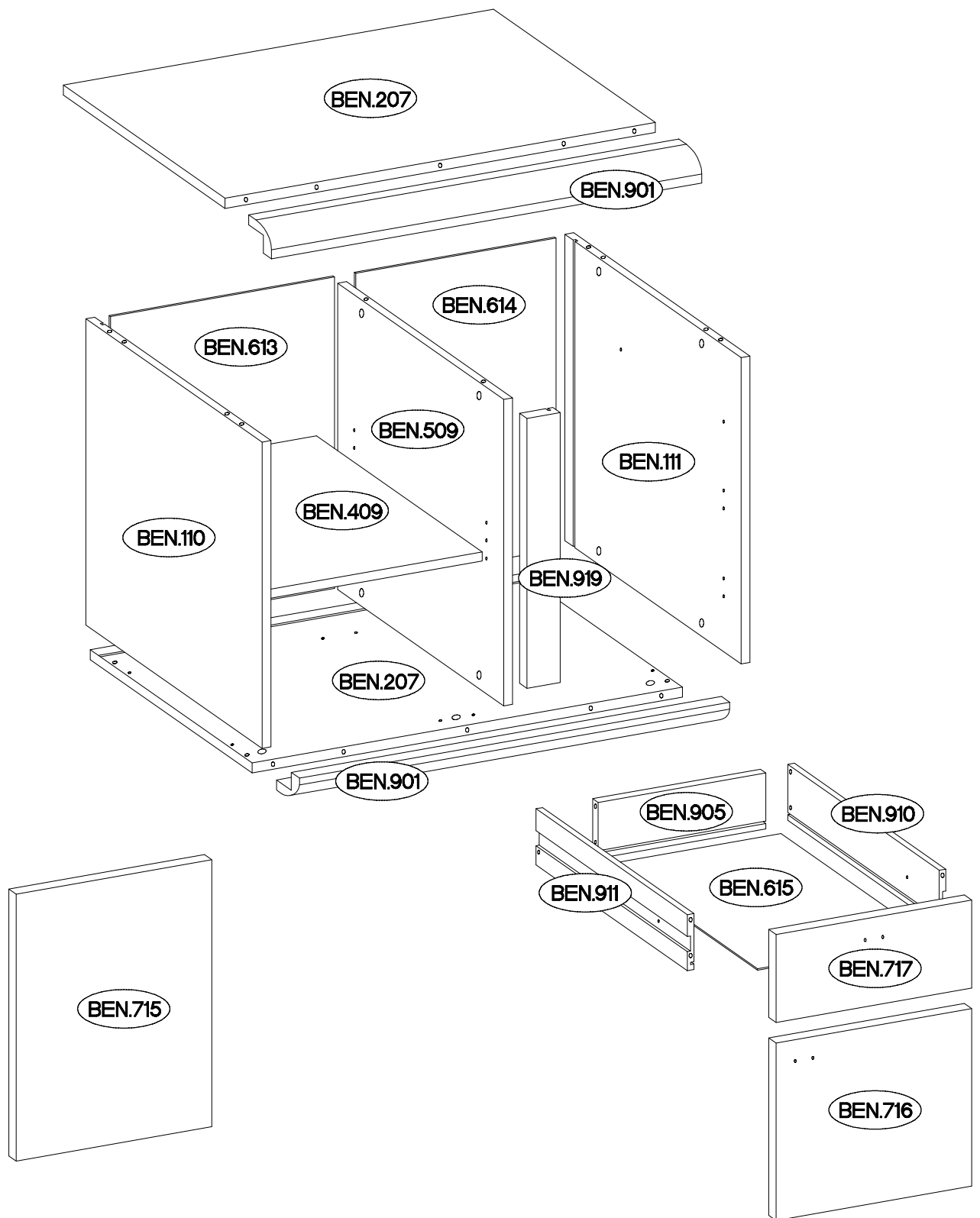
ARWH 22 



 A5	 B2	 I4	 M2
4	2	1	4

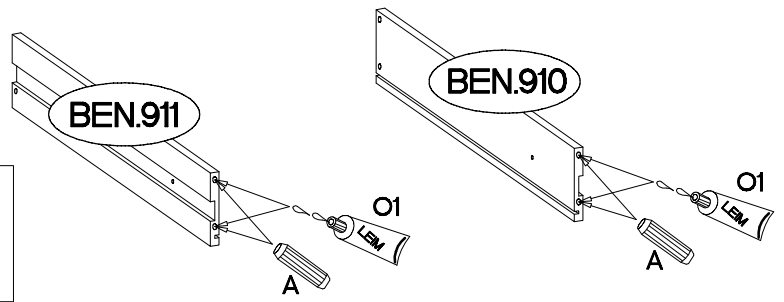
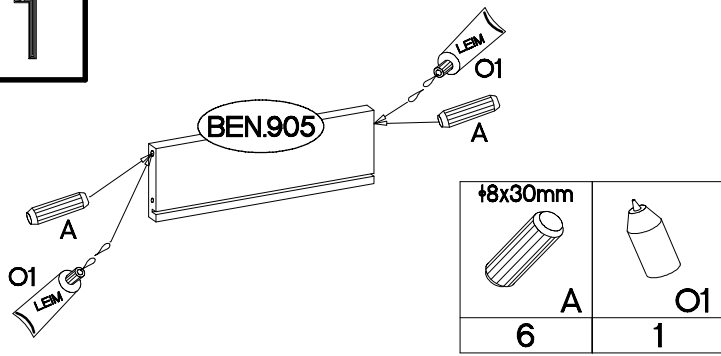
 U1	 O1	 T11	 L	 P7	 L2	 L9	 O7	 U	 F13	 S11
2	1	2	8	6	4	1	1	6	4	3
 C	 D2	 A	 E	 H	 G	 P5	 P1			
22	22	14	22	4	4	9	16			

ISM-BEN-08

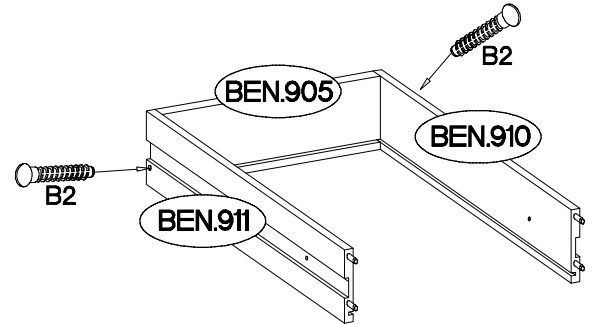
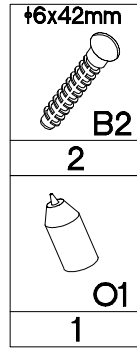
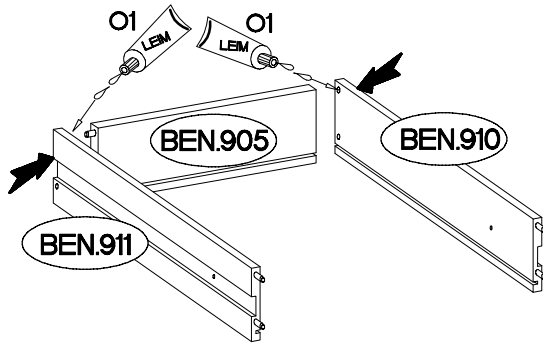


Coli	Ersatzteil Nummer	Dimension		
1/1	BEN.110	547x384x16	BEN.715	477x354,5x16
	BEN.111	547x384x16	BEN.716	317x354,5x16
	BEN.207 x2	780x352,5x18	BEN.717	157x354,5x16
	BEN.409	393,5x361,5x16	BEN.901 x2	780x50x50
	BEN.509	547x362x16	BEN.919	482x60x16
	BEN.614	556x349x2,5	BEN.910	330x100x12
	BEN.613	556x406x2,5	BEN.911	330x100x12
	BEN.615	326x312x2,5	BEN.905	302x100x12

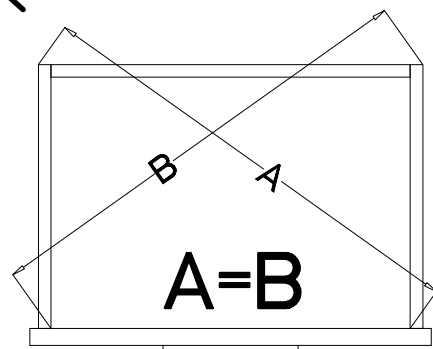
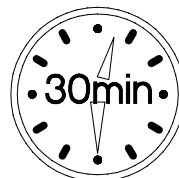
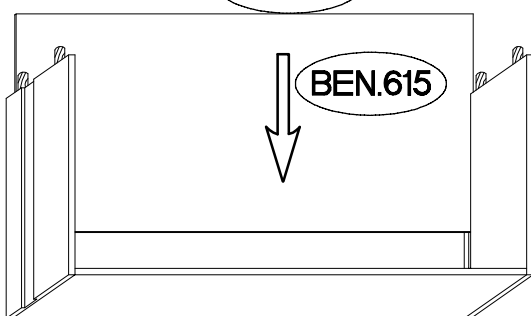
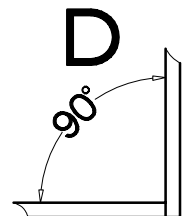
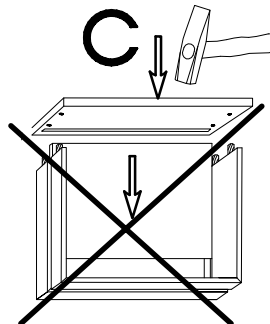
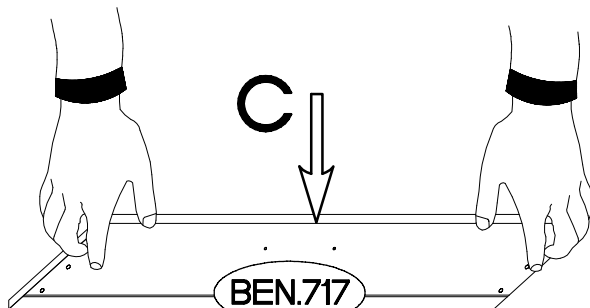
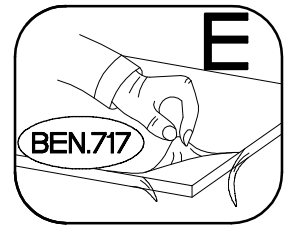
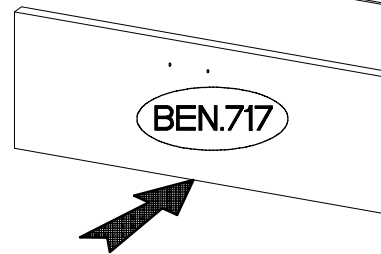
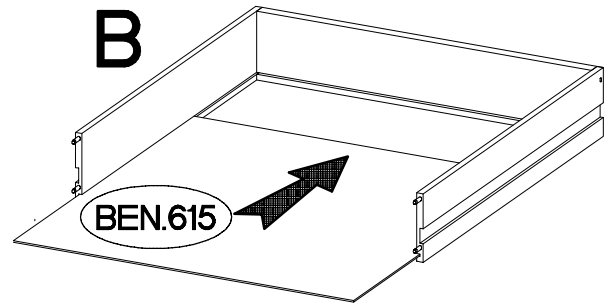
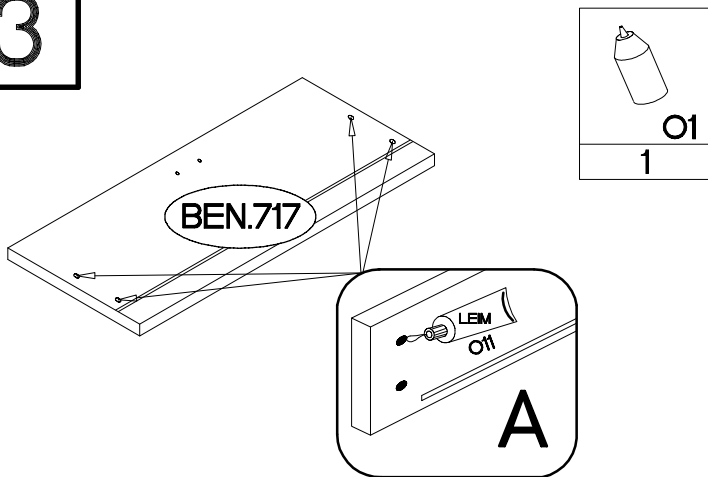
1



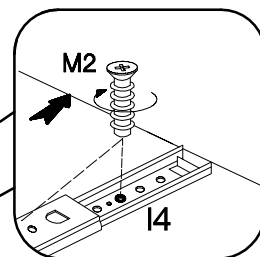
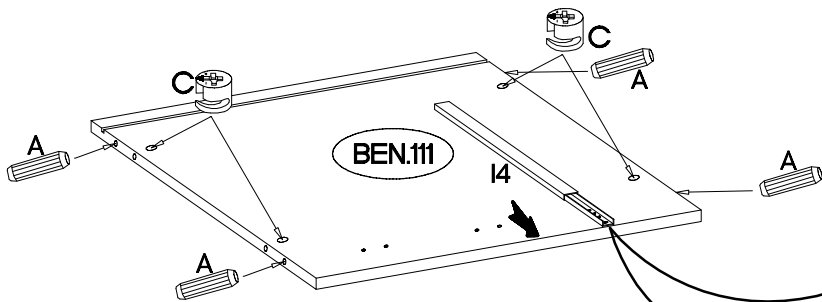
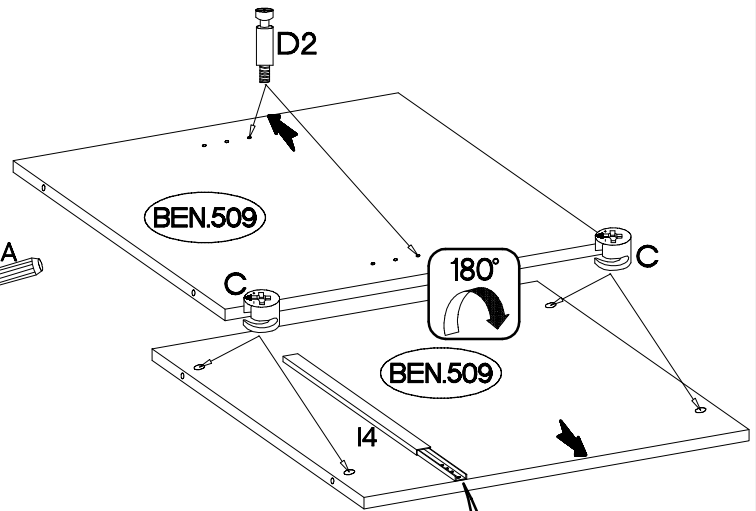
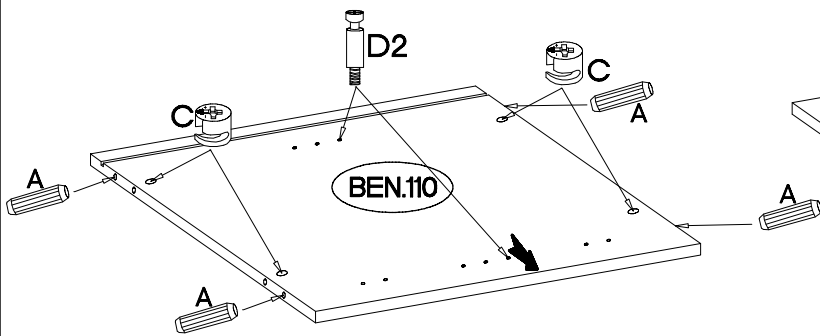
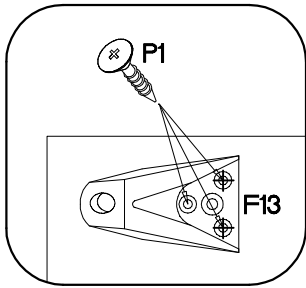
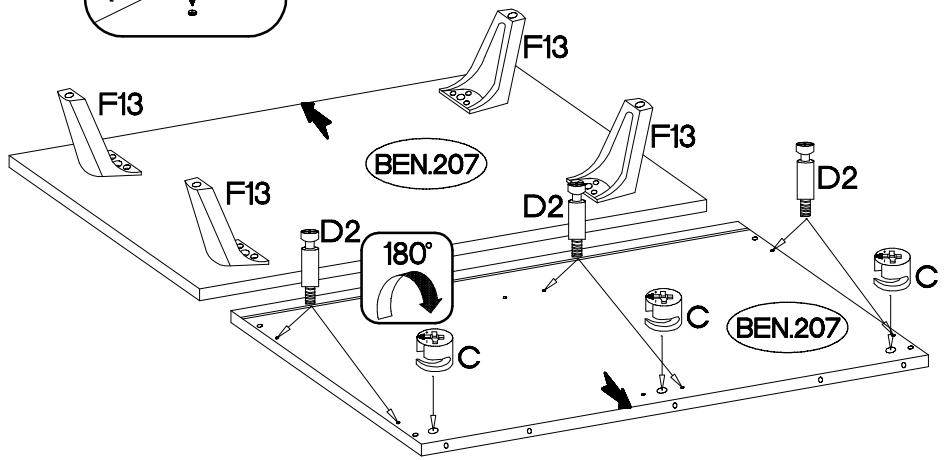
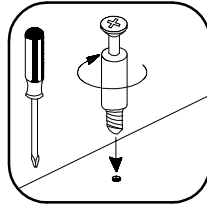
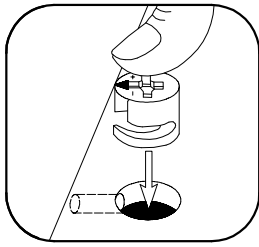
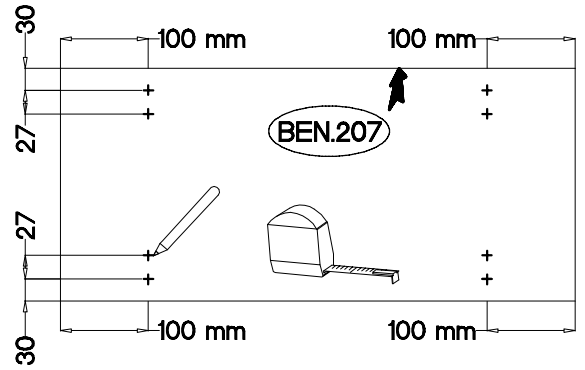
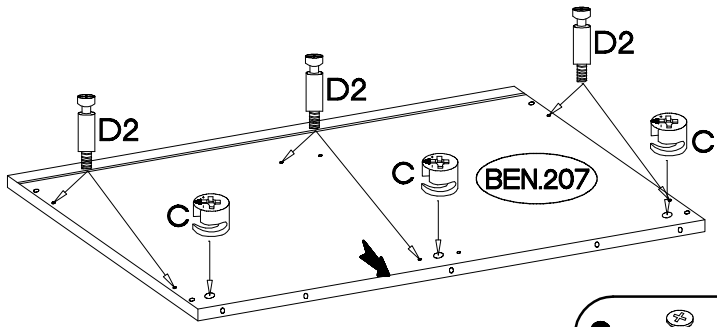
2

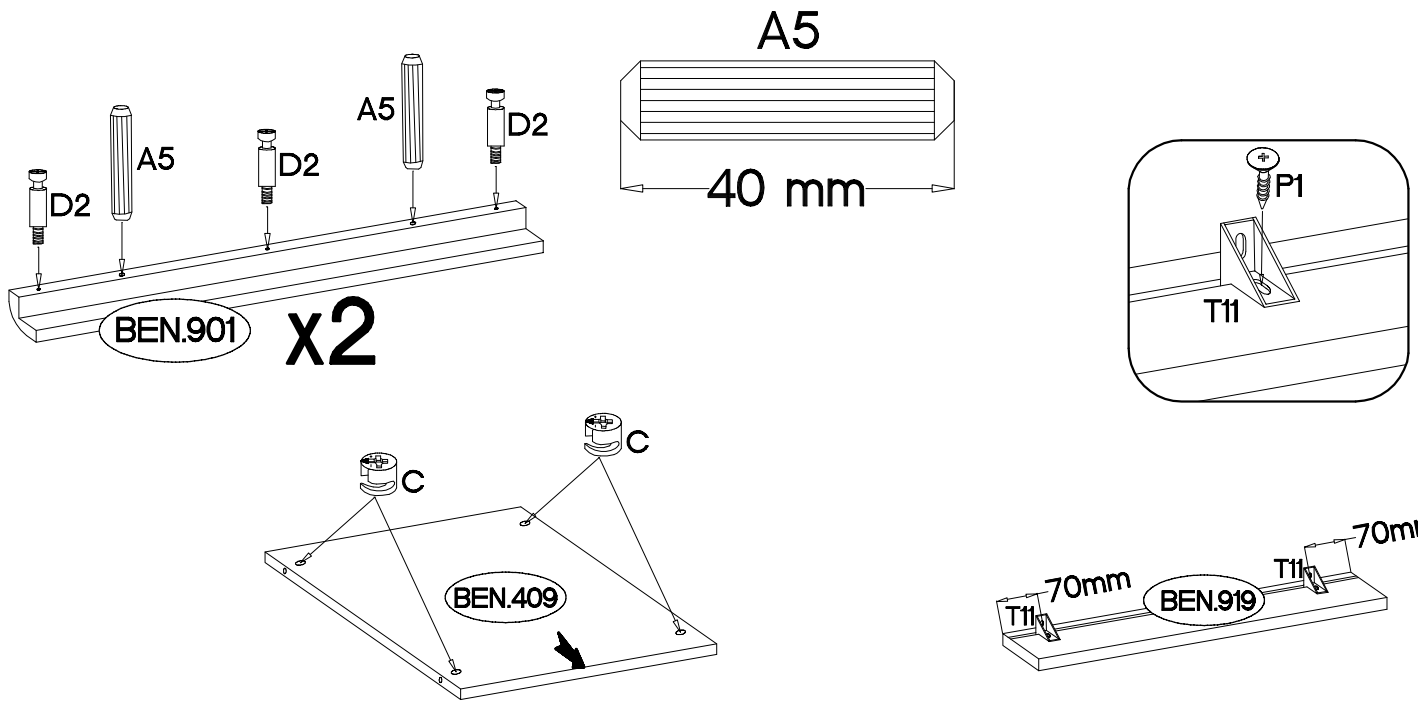


3

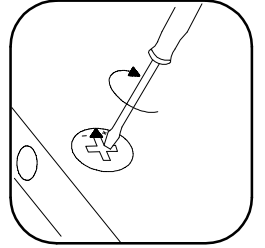
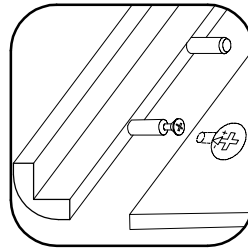
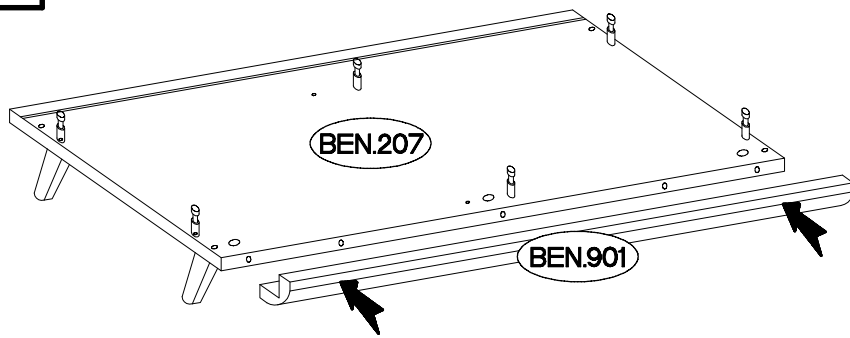


±15/12mm	L=20mm	+8x30mm	27/310mm	+6,3x13mm		+4.0x16mm	30x30 mm	+8x40mm
C	D2	A	I4	M2	F13	P1	T11	A5
22	22	8	1	4	4	14	2	4

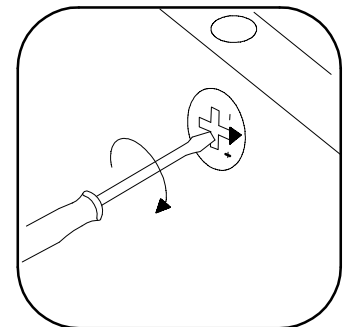
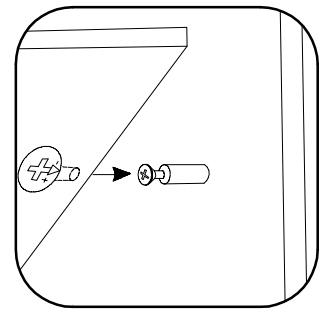
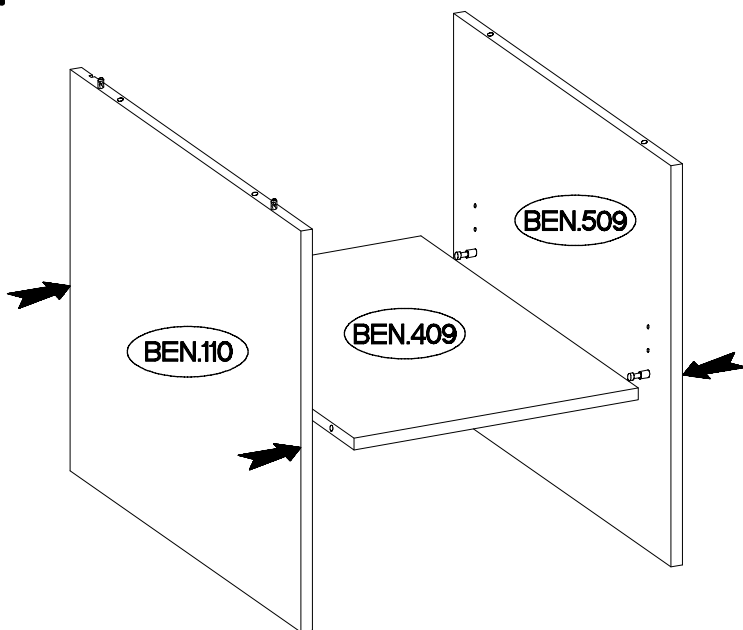




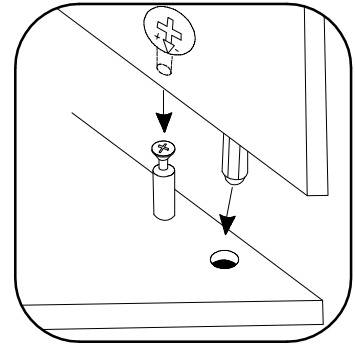
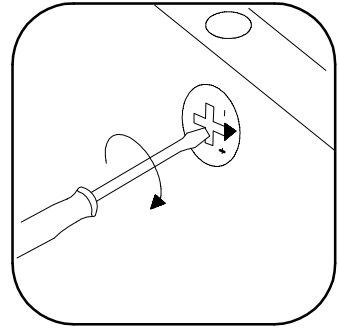
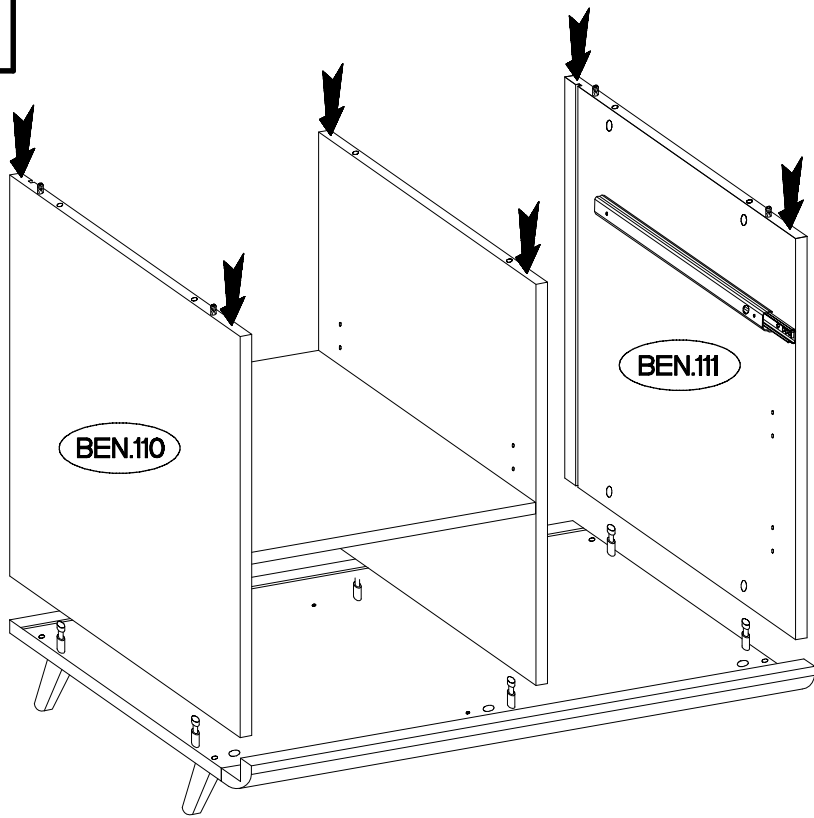
5



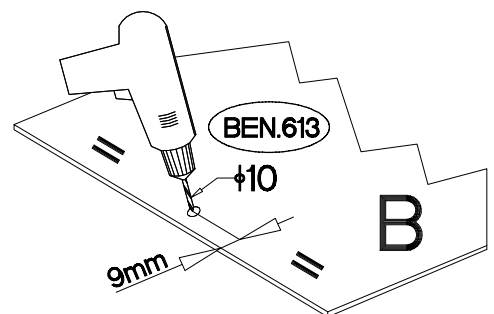
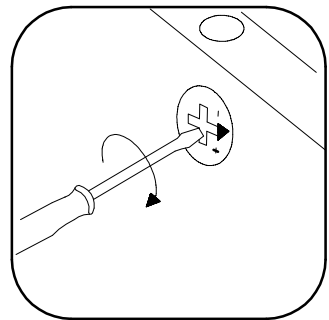
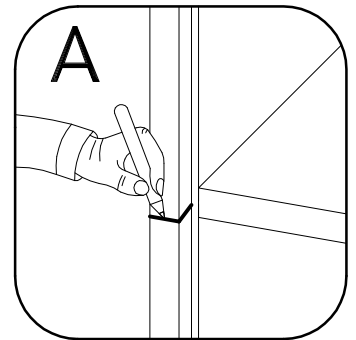
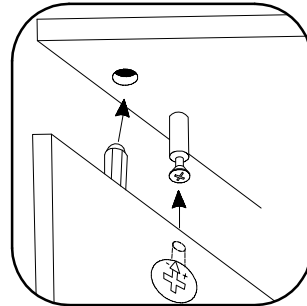
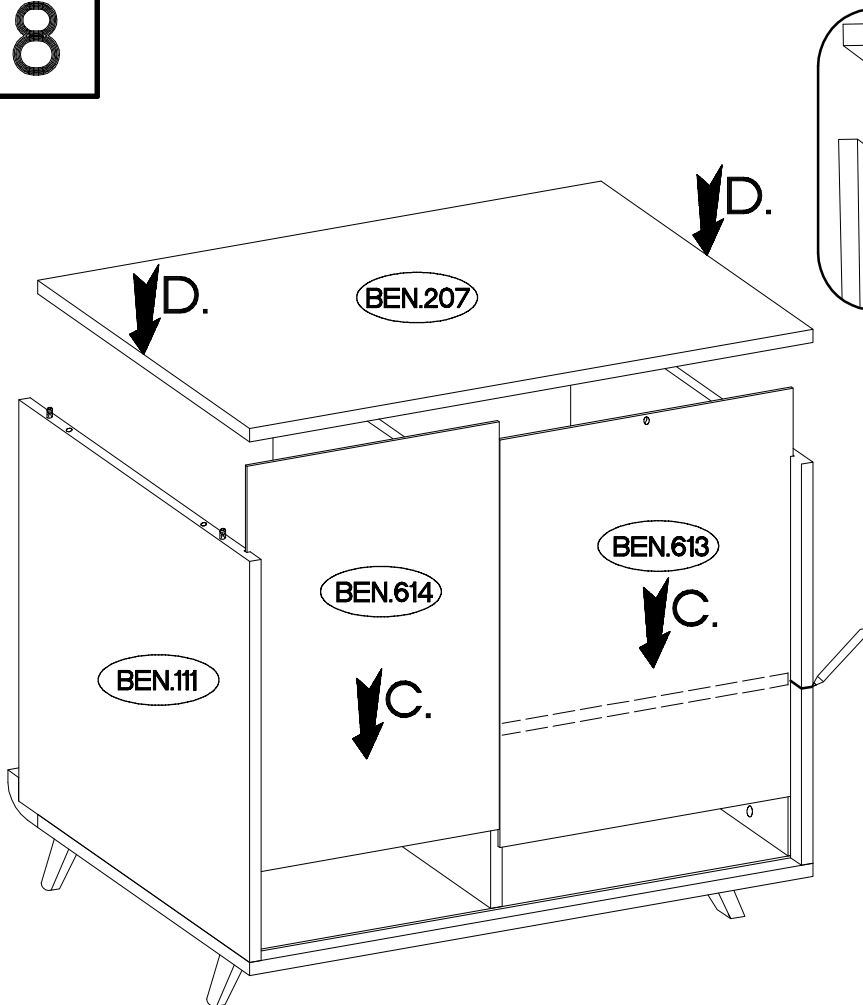
6



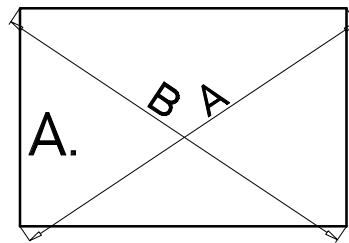
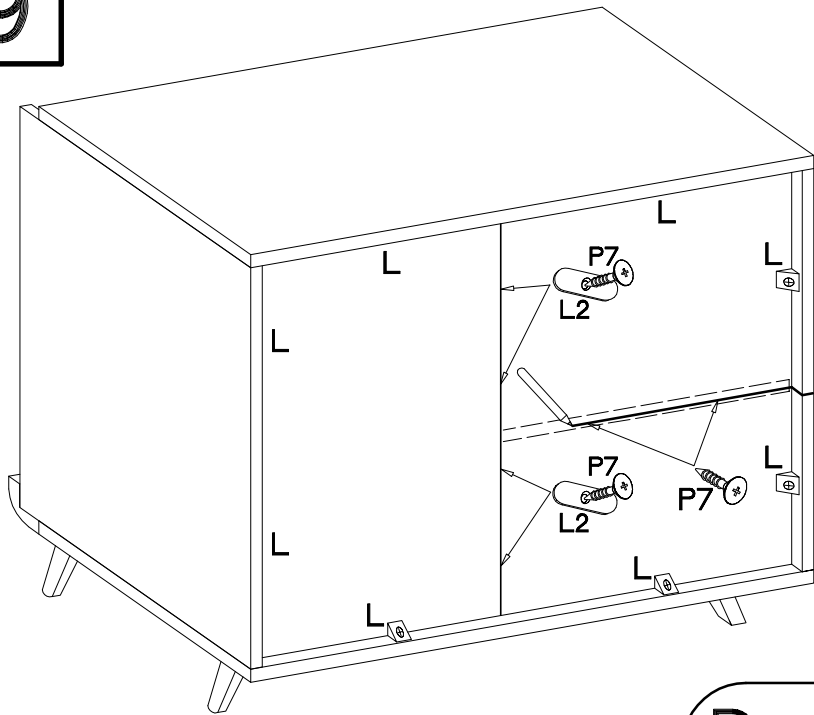
7

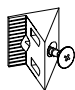

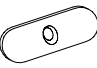


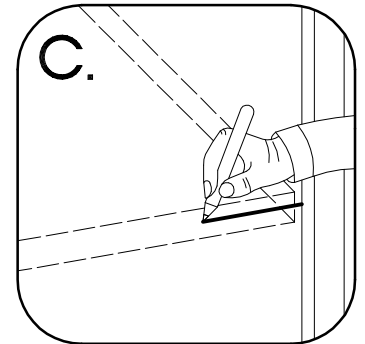
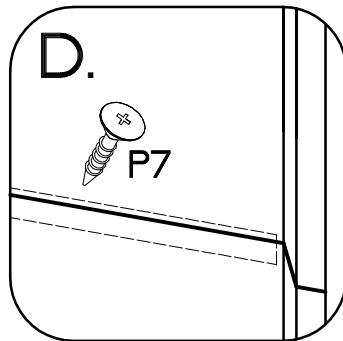
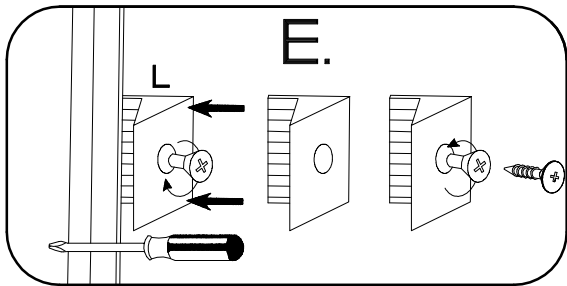
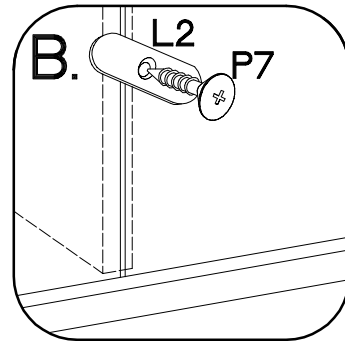
8



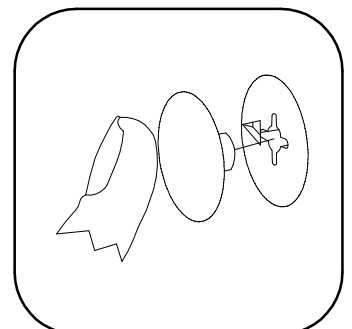
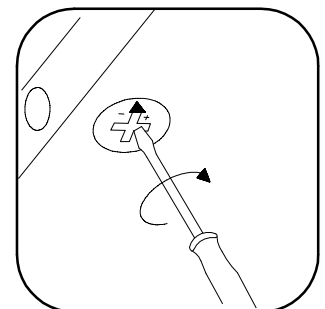
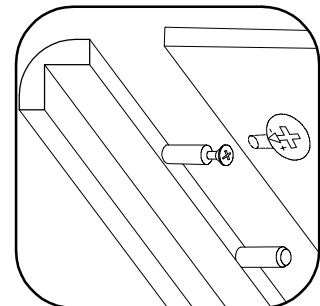
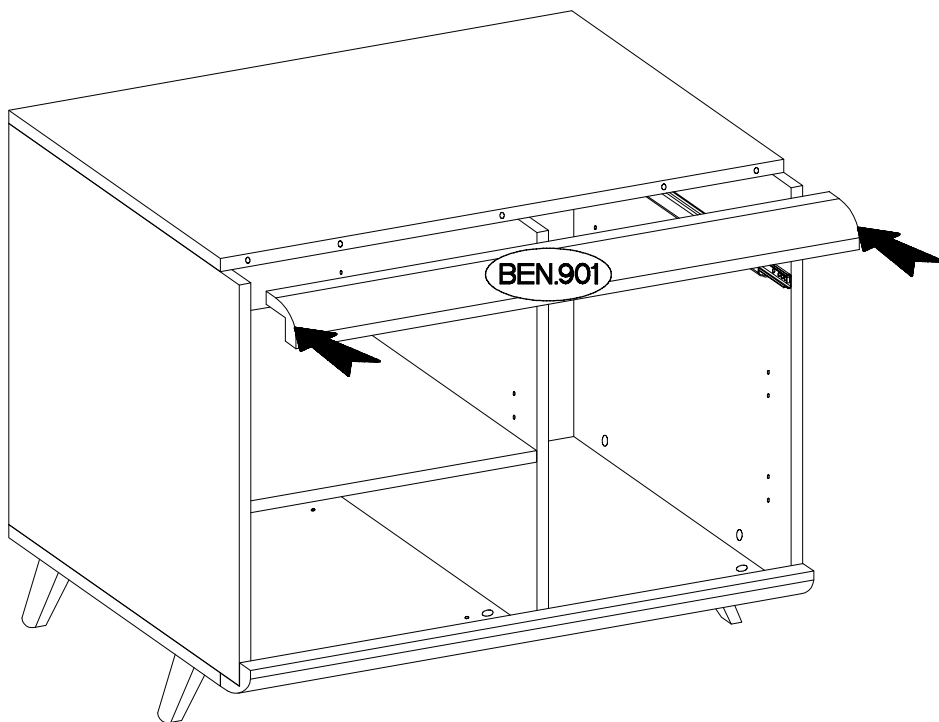
9



 L	 P7
8	6
	
	L2
	4

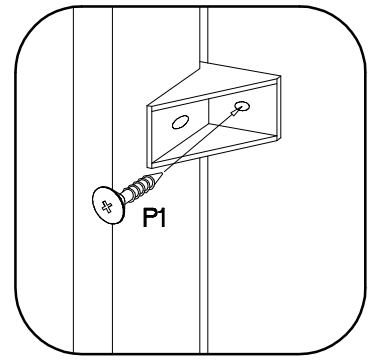
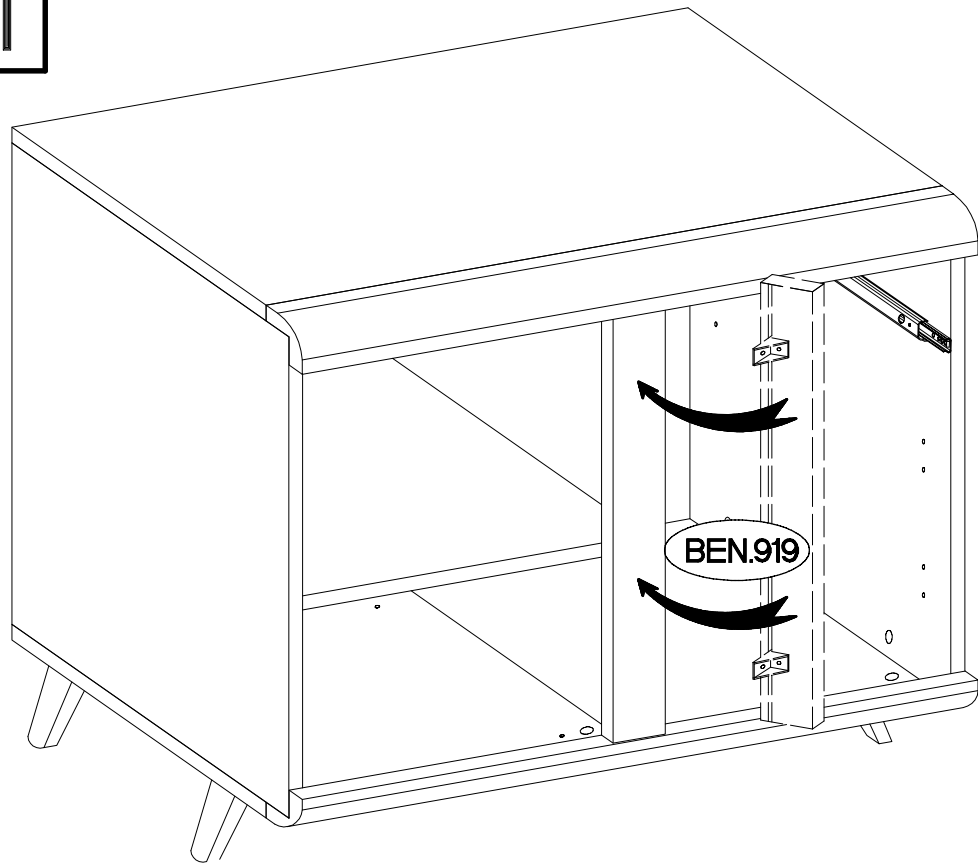


10

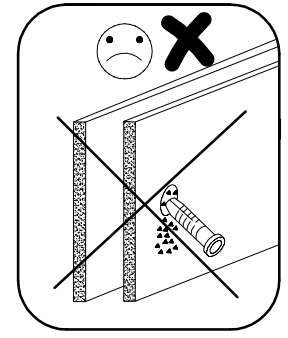
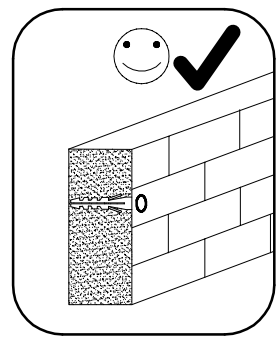
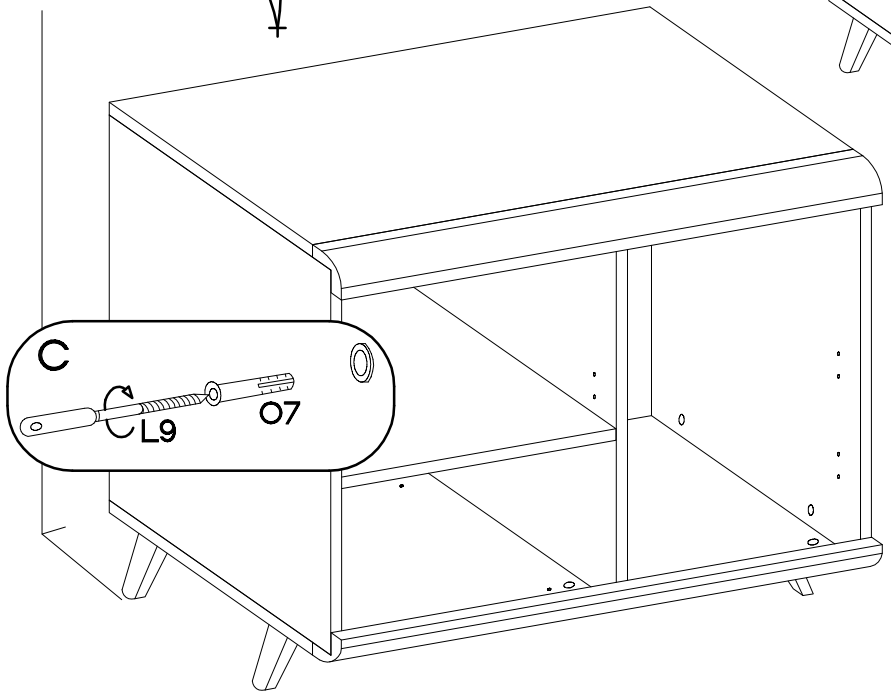
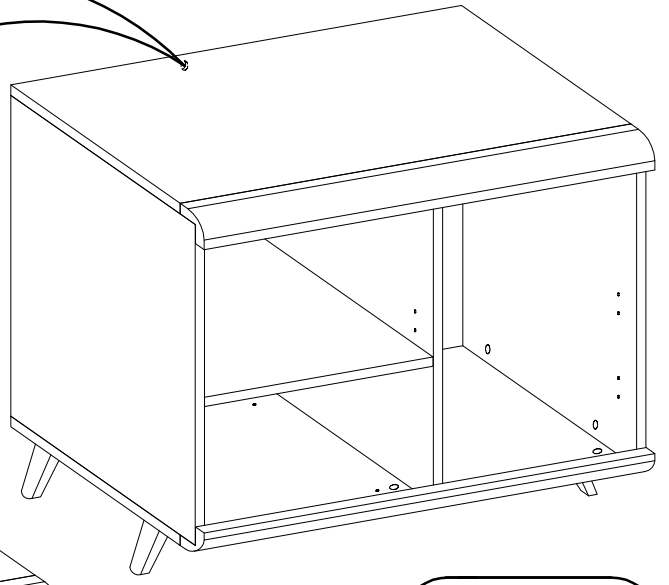
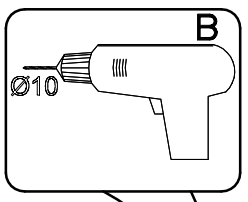
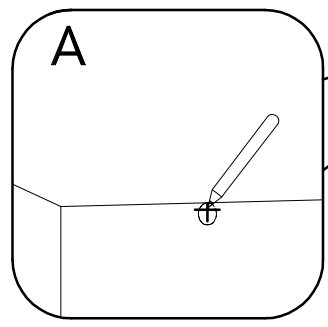


11

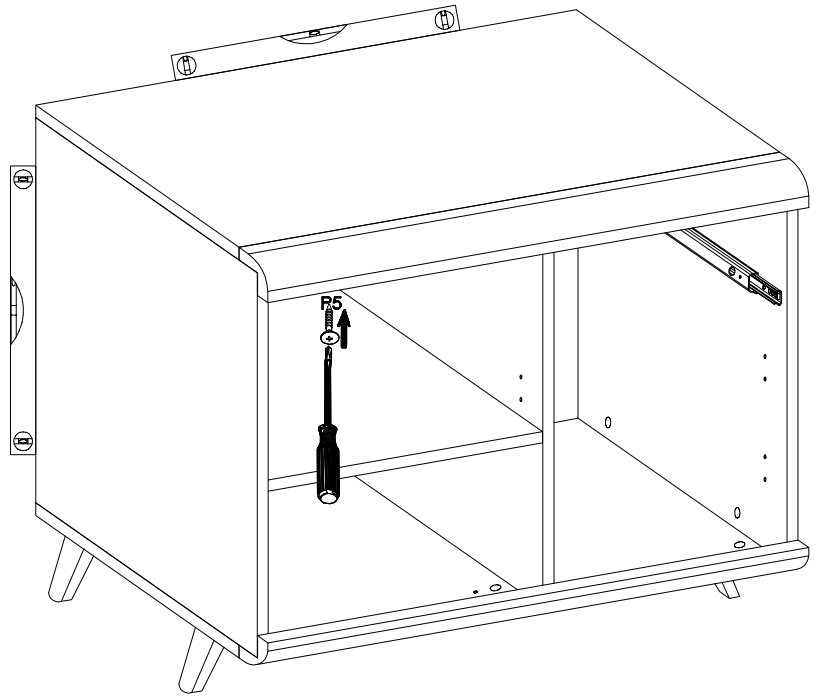
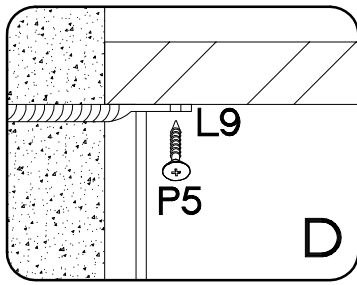
4.0x16mm  
P1  
2






12




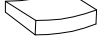


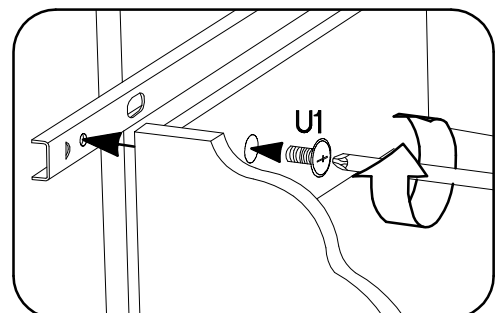
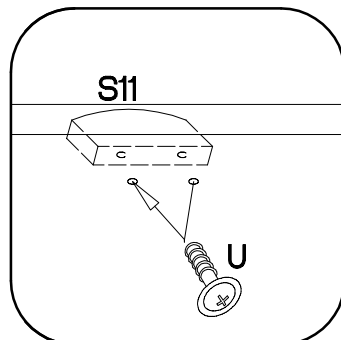
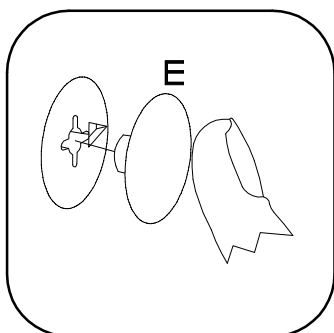
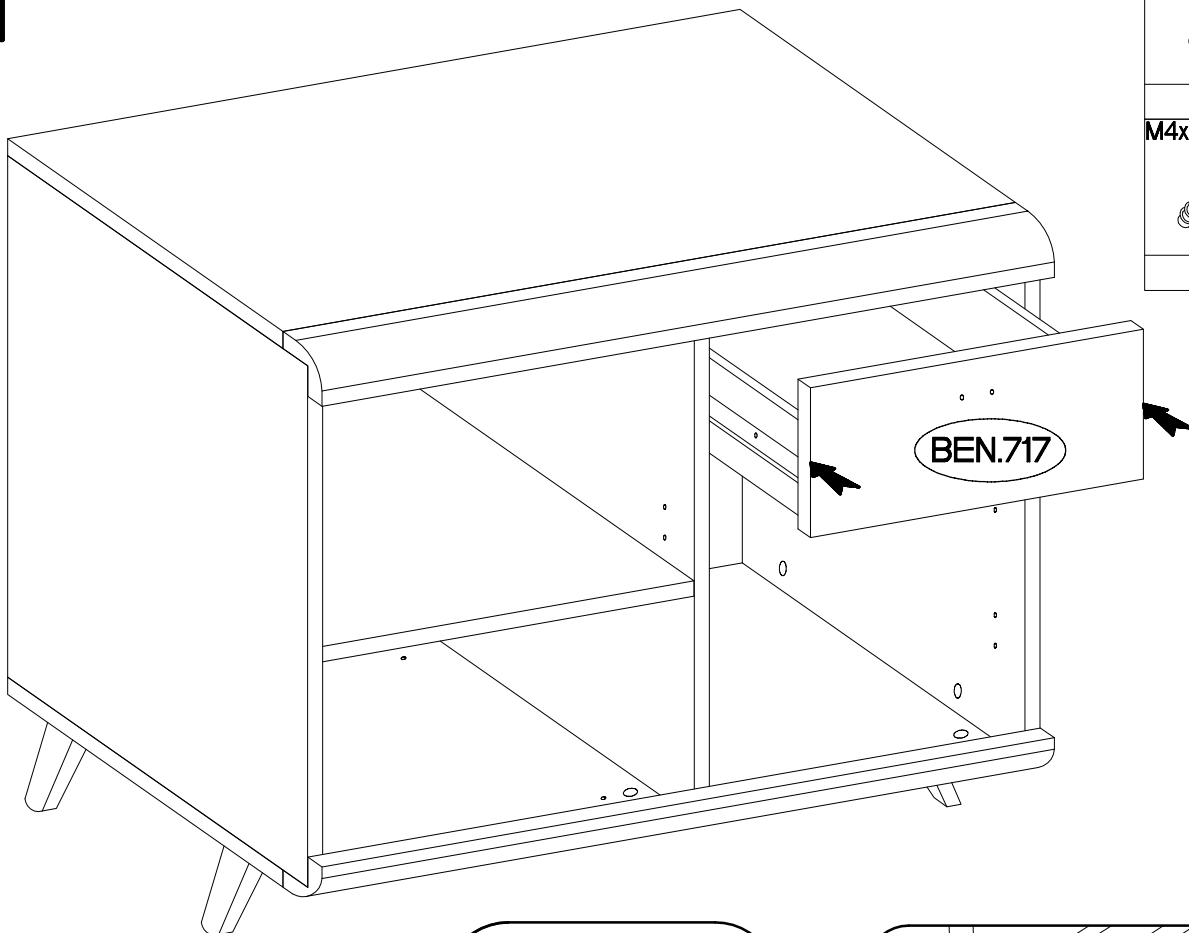




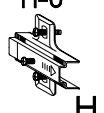
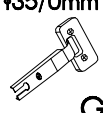

		
L9	O7	P5
1	1	1

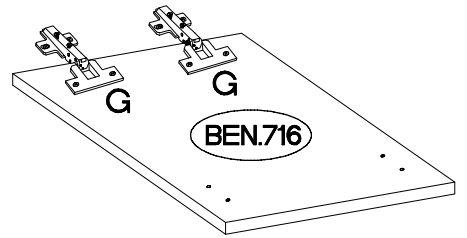
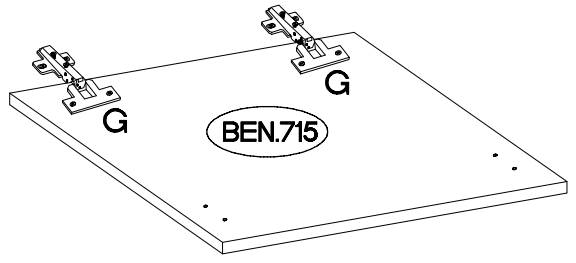
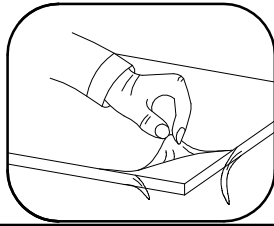
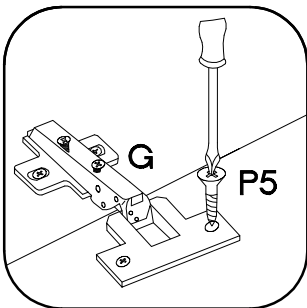
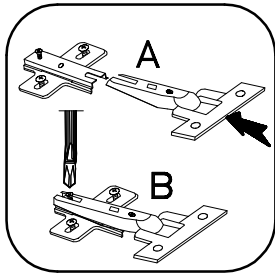
13

M4x9mm 	
U1	E
2	22
M4x22mm 	L=32mm 
U	S11
2	1

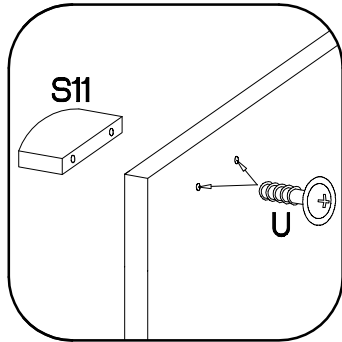
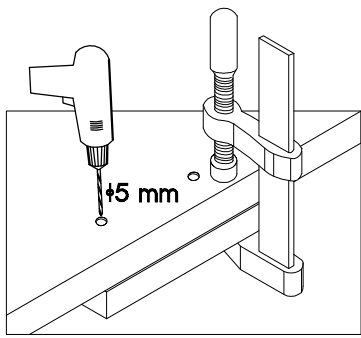
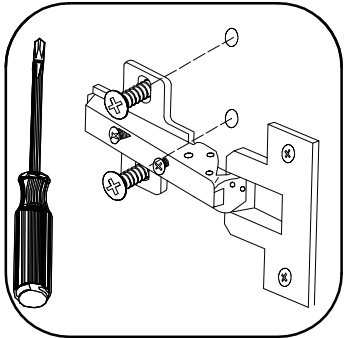
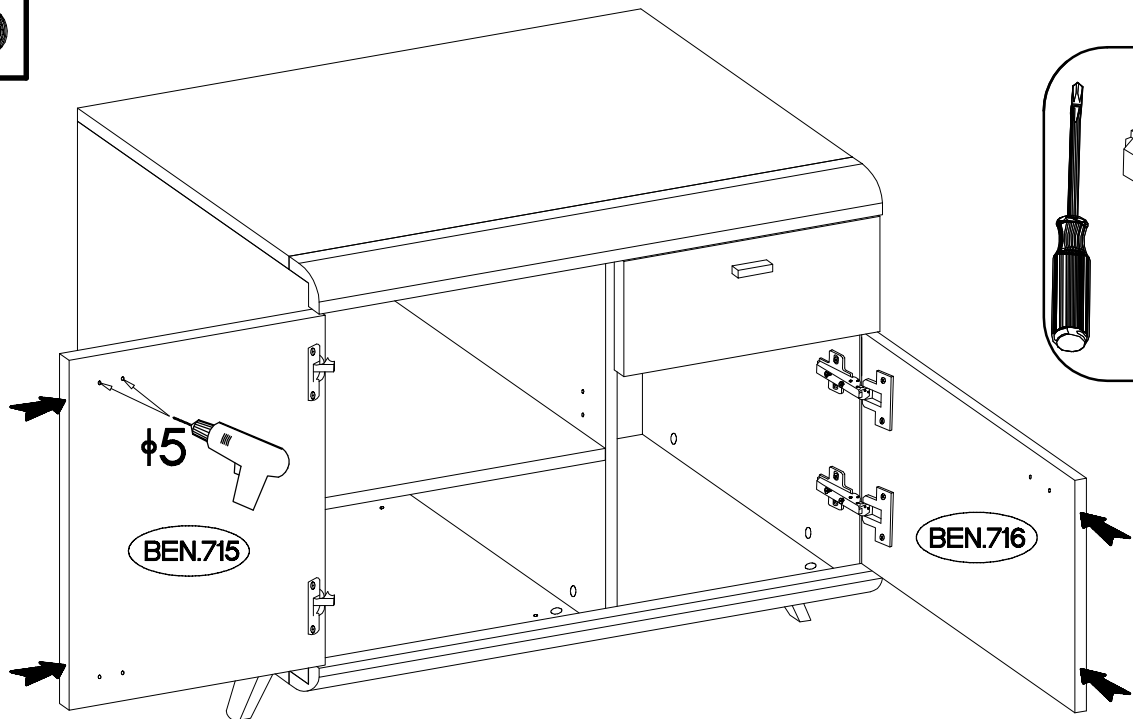




14

H=0  H 4	+35/0mm  G 4	+3.5x13mm  P5 8
---	---	--



15



M4x22mm  U 4 L=32mm  S11 2
---

